

V-904
60/40 TEG/WATER EXPANSION TANK

MFR: GILFAB
SIZE: 762mmø x 2286mm S/S (30inø x 90in)
D.P.: 1034 kPag (150 psig) @ 343°C - 28°C (650°F - 20°F)
CAPACITY: 0.946 m³ (250 GAL)
ASME SECTION VIII
OPERATING PRESSURE: 69 kPag (10 psi)
CRN#: TBA

P-902/903
60/40 TEG/WATER CIRCULATION PUMP

MODEL ZTND040200AAGBC1BE
MOTOR: 22.4 kW (30 HP), 3500 RPM TEFC
480V/3 PH/60Hz
FLOW RATE 46.01 m³/hr. (203USGPM)
TOTAL DISCHARGE HEAD 80.4m (264')

B-901
BURNER

MODEL: POWER FLAME C5-G-30B
MANIFOLD PRESSURE: TBA

BL-901
BLOWER

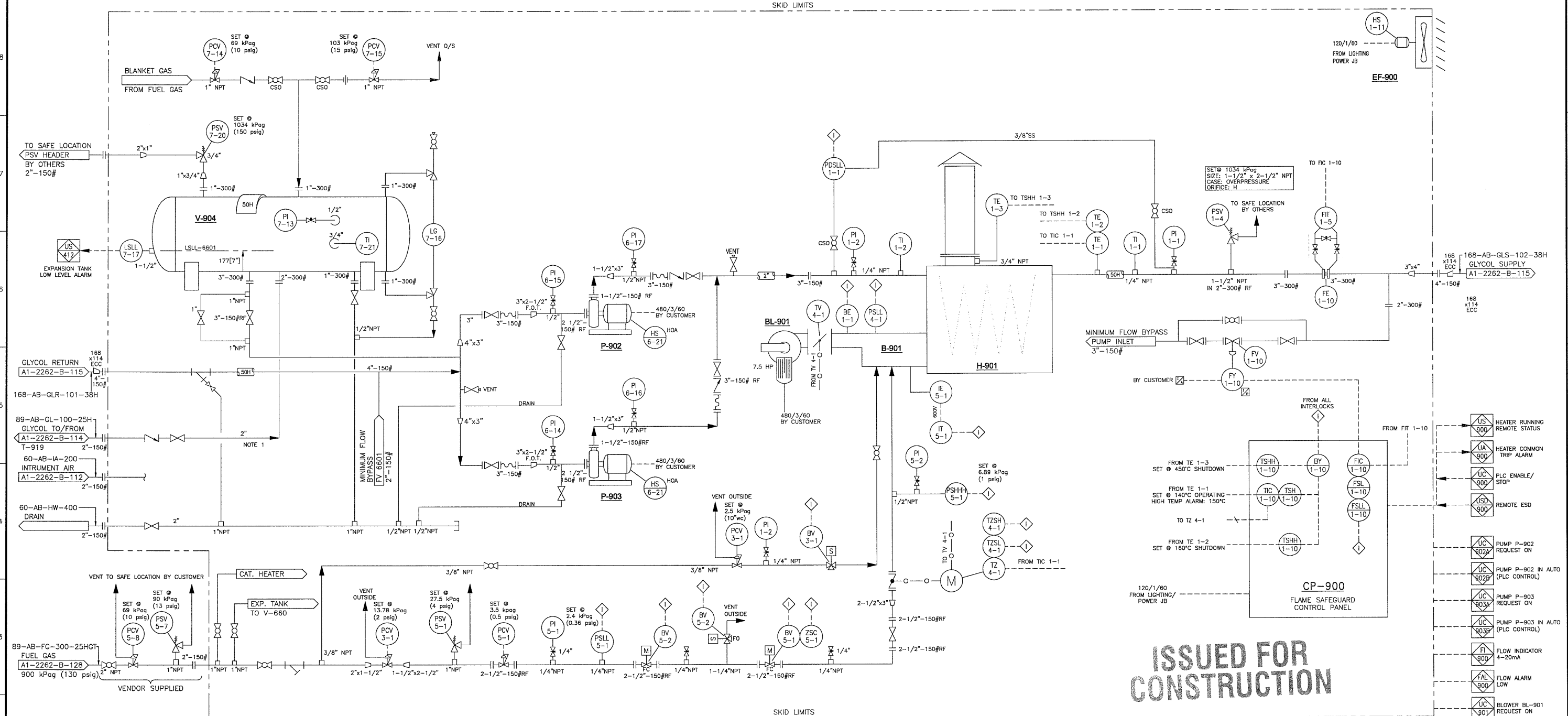
INTEGRAL TO BURNER
MOTOR: 5.59275 kW (7.5 HP) 3450 RPM TEFC
480V/3 PH/60Hz

H-901
THERMO FLUID 18, ASME SECTION I

MODEL HEATEC HCl-3010-30-G
INPUT: 2108 kW (7.19 MMBTU/HR)
DUTY: 1612 kW (5.5 MMBTU/HR)
INLET: 95°C (204°F)
OUTLET: 140°C (284°F)
FLOW: 46.01 m³/hr (203 USGPM)
PRESSURE DROP: 145 kPag (13PSI)

EF-900
EXHAUST FAN

MOTOR: 186W (1/4HP)
AIR CHANGES: 12/hr.



NOTES:

- DIAPHRAGM PUMP TO BE INSTALLED BY VENDOR DETAILS TO COME.

DWG. NUMBER	REFERENCE DRAWINGS	REV.	DATE	REVISION DESCRIPTION	DRAWN	CHECK	APPR.	PROFESSIONAL & PERMIT STAMPS
300-608-47	VENDOR DRAWING - HEAT MEDIUM SKID	0	06-11-30	Z-900 GLYCOL HEATER ADDITION	BRB	.	.	
.	
.	
.	
.	

THIS DRAWING IS THE SOLE PROPERTY OF SOLARIS MANAGEMENT CONSULTANTS INC., AND IS LENT TO THE BORROWER FOR THEIR CONFIDENTIAL USE ONLY. THIS DRAWING SHALL NOT BE REPRODUCED, COPIED OR ALTERED IN ANY WAY, NOR SHALL IT BE USED FOR ANY PURPOSE OTHER THAN FOR WHICH IT WAS PRODUCED.

THIS DRAWING IS NOT APPROVED FOR CONSTRUCTION UNLESS IT IS SIGNED, DATED AND STAMPED.

Dec/2006

SOLARIS MANAGEMENT CONSULTANTS INC.
Suite #305, 7485-130th Street Surrey, B.C. V3W 1H8
Phone: (604) 507-8800 Fax: (604) 507-8801 e-mail: solaris@solaris-mci.com

PIONEER NATURAL RESOURCES CANADA INC.

PIONEER CHINCHANGA HM SKID
c-32-H/94-H-8
HEAT MEDIUM PACKAGE
PROCESS AND INSTRUMENTATION DIAGRAM

SCALE	JOB NO.	DRAWING NUMBER	REV.
NTS	P06-0007	P06-0007-201	1

P06-0007-201

Document: P&ID - Heat Medium Package
Document #: 201
Revision: A
Date: November 30, 2006

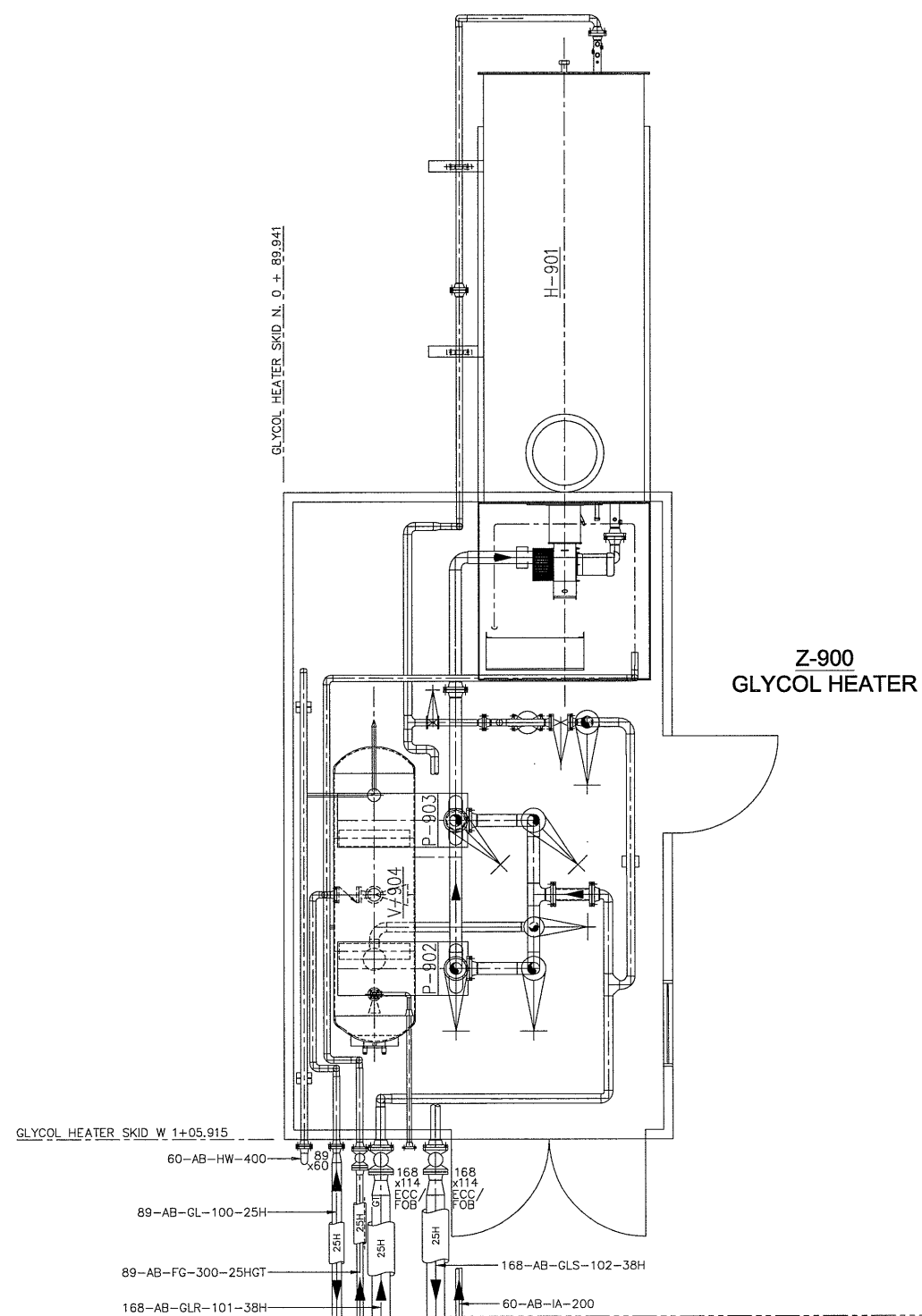
ISSUED FOR CONSTRUCTION

AREA LIMITS W 1+18.250



AREA LIMITS N 0+82.950

AREA LIMITS N 1+05.950



**ISSUED FOR
CONSTRUCTION**

P06-0007-A1-2262-D-044

Document: Piping Plan – Glycol Heater Z-900

Document #: A1-2262-D-044

Revision: 1

Date: November 30, 2006

DWG. NUMBER	REFERENCE DRAWINGS	REV.	DATE	REVISION DESCRIPTION	DRAWN	CHECK	APPR.
100-608-47	VENDOR DRAWING – HM SKID SHT 1 OF 2	0	06-11-30	Z-900 GLYCOL HEATER ADDITION	BRB	KR	RR
100-608-47	VENDOR DRAWING – HM SKID SHT 2 OF 2	-	-	-	-	-	-
-	-	-	-	-	-	-	-
-	-	-	-	-	-	-	-
-	-	-	-	-	-	-	-
-	-	-	-	-	-	-	-
-	-	-	-	-	-	-	-
-	-	-	-	-	-	-	-
-	-	-	-	-	-	-	-
-	-	-	-	-	-	-	-

PROFESSIONAL & PERMIT STAMPS

THIS DRAWING IS THE SOLE PROPERTY OF SOLARIS MANAGEMENT CONSULTANTS INC., AND IS LENT TO THE BORROWER FOR THEIR CONFIDENTIAL USE ONLY. THIS DRAWING SHALL NOT BE REPRODUCED, COPIED OR ALTERED IN ANY WAY, NOR SHALL IT BE USED FOR ANY PURPOSE OTHER THAN FOR WHICH IT WAS PRODUCED.

THIS DRAWING IS NOT APPROVED FOR CONSTRUCTION UNLESS IT IS SIGNED, DATED AND STAMPED.

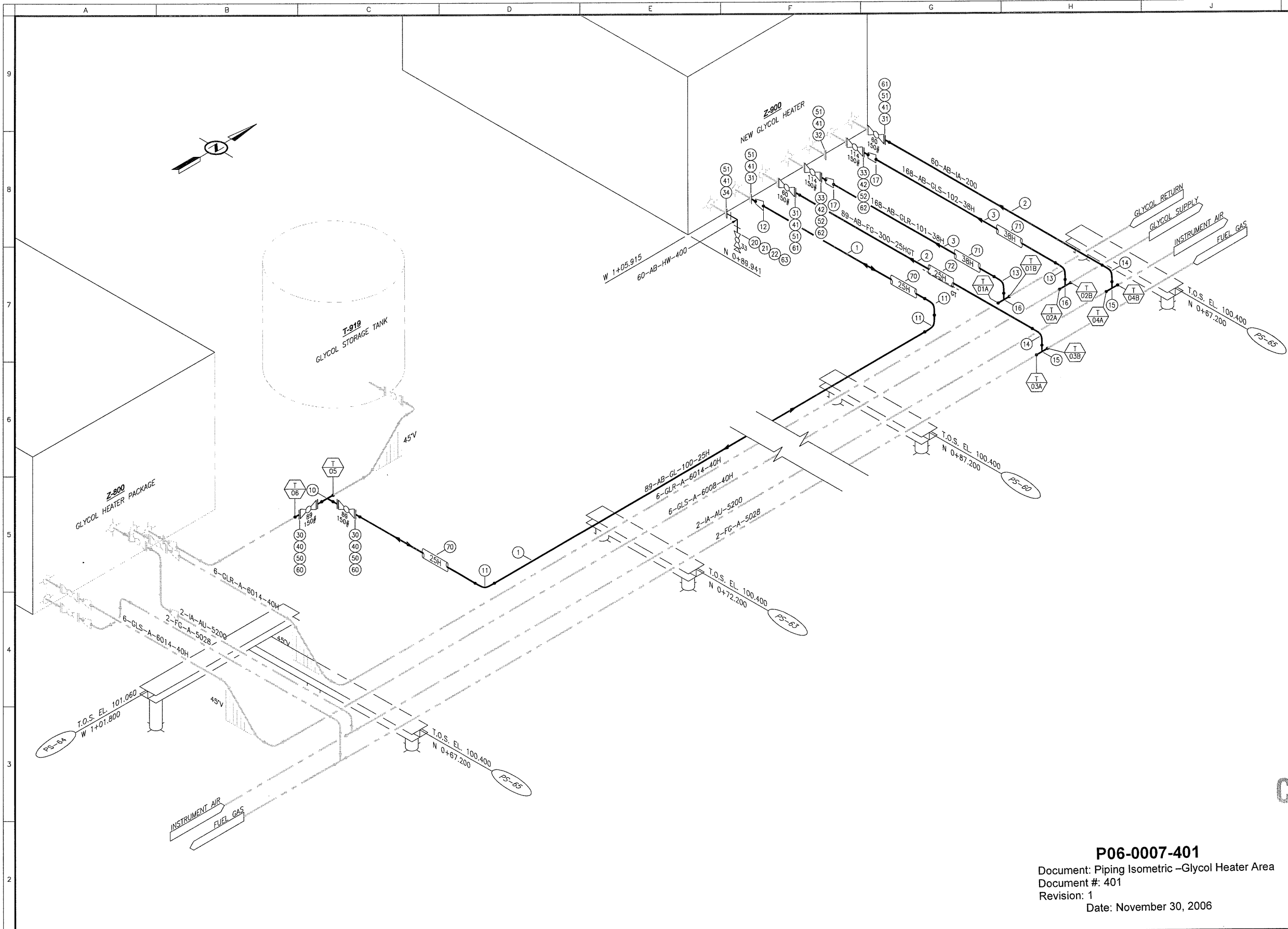
SOLARIS MANAGEMENT CONSULTANTS INC.

Suite #305, 7485-130th Street
Surrey, B.C. V3V 1H8

Phone: (604) 507-9800
Fax: (604) 507-9801
e-mail: solaris@eolaris-mcl.com

BY	DRAWN	DESIGNED	CHECKED	APPROVED
BRB	-	-	KR	RR
DATE	-	-	-	-

PIONEER NATURAL RESOURCES CANADA INC.			
CHINCHAGA GAS PLANT c-32-H/94-H-8 GLYCOL HEATER Z-900 PIPING PLAN			
SCALE	JOB NO.	DRAWING NUMBER	REV.
1:30	P06-0007	A1-2262-D-044	0



BILL OF MATERIAL							
PIPE							
MK	QTY	SIZE	SCH.	DESCRIPTION	MATERIAL	S/F	
1	-	89	40	PIPE, SMLS	A333 Gr.6	F	
2	-	60	80	PIPE, SMLS	A333 Gr.6	F	
3	-	168	40	PIPE, SMLS	A333 Gr.6	F	
WELD FITTINGS							
MK	QTY	SIZE	SCH.	DESCRIPTION	MATERIAL	S/F	
10	1	89	40	STRAIGHT TEE, BW	A420 WPL6	F	
11	3	89	40	90° ELL. LR,BW	A420 WPL6	F	
12	1	89+60	40/80	ECCENTRIC REDUCER	A420 WPL6	F	
13	2	168	40	90° ELL. LR,BW	A420 WPL6	F	
14	2	60	80	90° ELL. LR,BW	A420 WPL6	F	
15	2	60	80	STRAIGHT TEE, BW	A420 WPL6	F	
16	2	168	40	STRAIGHT TEE, BW	A420 WPL6	F	
17	2	168x114	40	ECCENTRIC REDUCER	A420 WPL6	F	
SCREWED & SOCKET WELD FITTINGS							
MK	QTY	SIZE	RATING	DESCRIPTION	MATERIAL	S/F	
20	1	33	3000#	90° ELL. THRD, FxF	A350 LF2	F	
21	2	33	SCH. 80	NIPPLE, SMLS	A333 GR.6	F	
22	1	60	3000#	PLUG, SOLID, HEX HD THRS	A350 LF2	F	
FLANGES							
MK	QTY	SIZE	RATING	SCH.	DESCRIPTION	MATERIAL	S/F
30	4	89	150#	40	FLANGE RF, WN	A350 LF2	F
31	4	60	150#	80	FLANGE RF, WN	A350 LF2	F
32	1	60	150#	80	BLIND RF	A350 LF2	F
33	2	114	150#	40	FLANGE RF, WN	A350 LF2	F
34	1	60	150#	80	FLANGE RF, B&T 33	A350 LF2	F
GASKETS							
MK	QTY	SIZE	RATING	DESCRIPTION	MATERIAL	S/F	
40	4	89	150#	GASKET, SPIRAL WOUND	316 SS	F	
41	6	60	150#	GASKET, SPIRAL WOUND	316 SS	F	
42	4	114	150#	GASKET, SPIRAL WOUND	316 SS	F	
BOLTS							
MK	QTY	SIZE	DESCRIPTION	MATERIAL	S/F		
50	4	SETS	5/8"x3-3/4" LG STUD CW/2 NUTS - 4/SET	A193 B7M/A194 2HM	F		
51	6	SETS	5/8"x3-1/4" LG STUD CW/2 NUTS - 4/SET	A193 B7M/A194 2HM	F		
52	4	SETS	5/8"x3-3/4" LG STUD CW/2 NUTS - 8/SET	A193 B7M/A194 2HM	F		
VALVES							
MK	QTY	SIZE	RATING	DESCRIPTION	MATERIAL	VALVE TAG	S/F
60	2	89	150#	BALL VALVE RF, RP	A352 Gr.LCC	-	F
61	2	60	150#	BALL VALVE RF, RP	A352 Gr.LCC	-	F
62	2	114	150#	BALL VALVE RF, RP	A352 Gr.LCC	-	F
63	1	60	150#	BALL VALVE THRD, FxF	A352 Gr.LCC	-	F
MISCELLANEOUS							
MK	QTY	SIZE	DESCRIPTION	S/F			
70	A/R	89	INSULATION & CLADDING 89 PIPE, 25mm THICK	F			
71	A/R	168	INSULATION & CLADDING 168 PIPE, 38mm THICK	F			
72	A/R	60	INSULATION & CLADDING 60 PIPE, 25mm THICK, GLYCOL TRACED	F			

ISSUED FOR CONSTRUCTION

P06-0007-401
 Document #: 401
 Revision: 1
 Date: November 30, 2006



CHINCHAGA GAS PLANT
 c-32-H/94-H-8
 GLYCOL HEATER AREA
 PIPING ISOMETRIC

DWG. NUMBER	REFERENCE DRAWINGS	REV.	DATE	REVISION DESCRIPTION	DRAWN	CHECK	APPR.	PROFESSIONAL & PERMIT STAMPS
		0	06-11-30	Z-900 GLYCOL HEATER ADDITION	BRB	KR	RR	

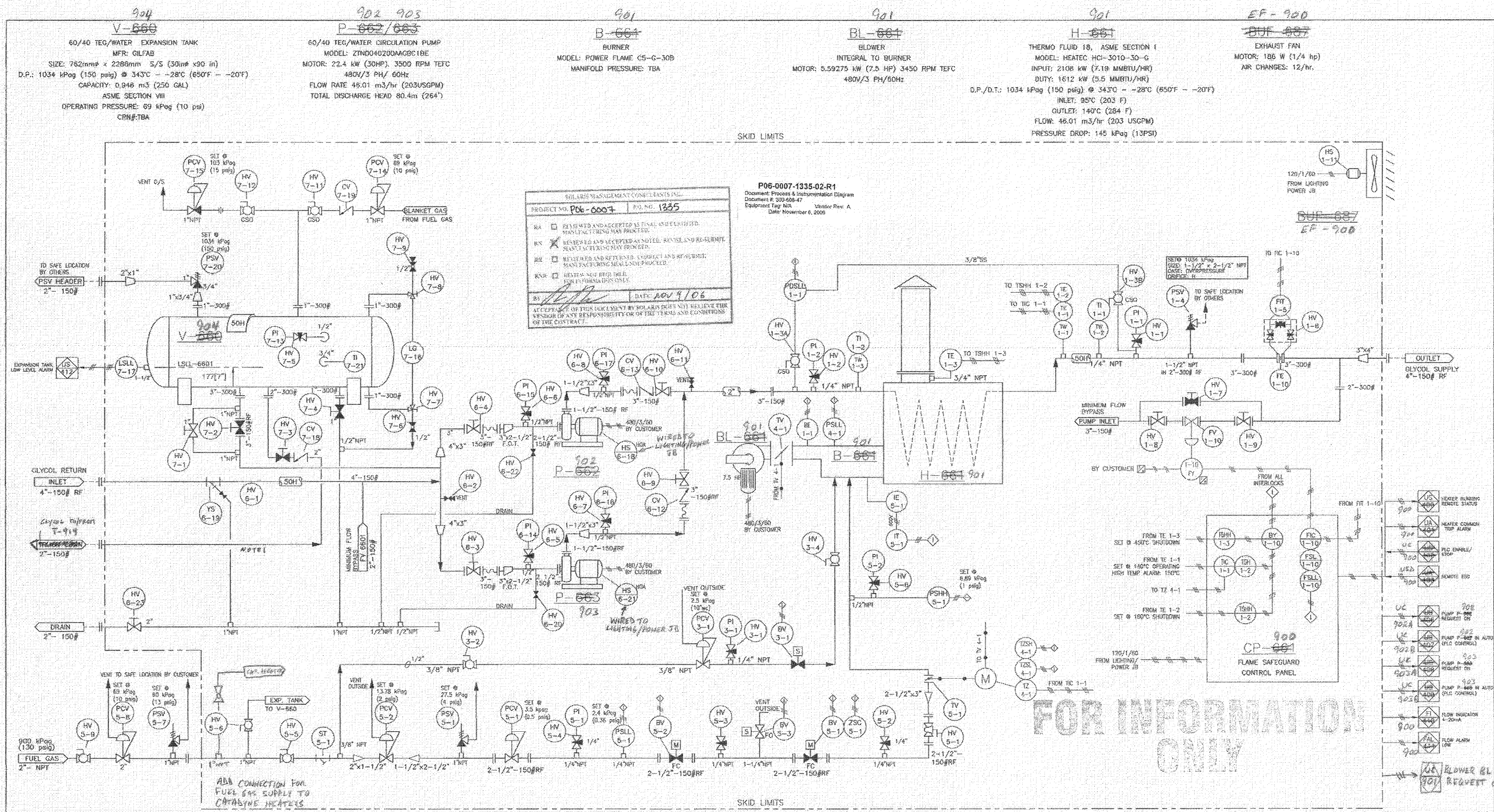
THIS DRAWING IS THE SOLE PROPERTY OF SOLARIS MANAGEMENT CONSULTANTS INC., AND IS LENT TO THE BORROWER FOR THEIR CONFIDENTIAL USE ONLY. THIS DRAWING SHALL NOT BE REPRODUCED, COPIED OR ALTERED IN ANY WAY, NOR SHALL IT BE USED FOR ANY PURPOSE OTHER THAN FOR WHICH IT WAS PRODUCED.

THIS DRAWING IS NOT APPROVED FOR CONSTRUCTION UNLESS IT IS SIGNED, DATED AND STAMPED.

SOLARIS MANAGEMENT CONSULTANTS INC.
 P.O. Box 9
 Suite 500 - 609 W. Hastings St.
 Vancouver, B.C. V6B 4W4
 Phone: (604) 608-0222
 Fax: (604) 608-0300
 e-mail: solaris@solaris-mci.com

	DRAWN	DESIGNED	CHECKED	APPROVED
BY	BRB		KR	RR
DATE				

SCALE	JOB NO.	DRAWING NUMBER	REV.
NTS	P06-0007	P06-0007-401	1



RELEASE MANAGEMENT CONSTRAINTS TABLE

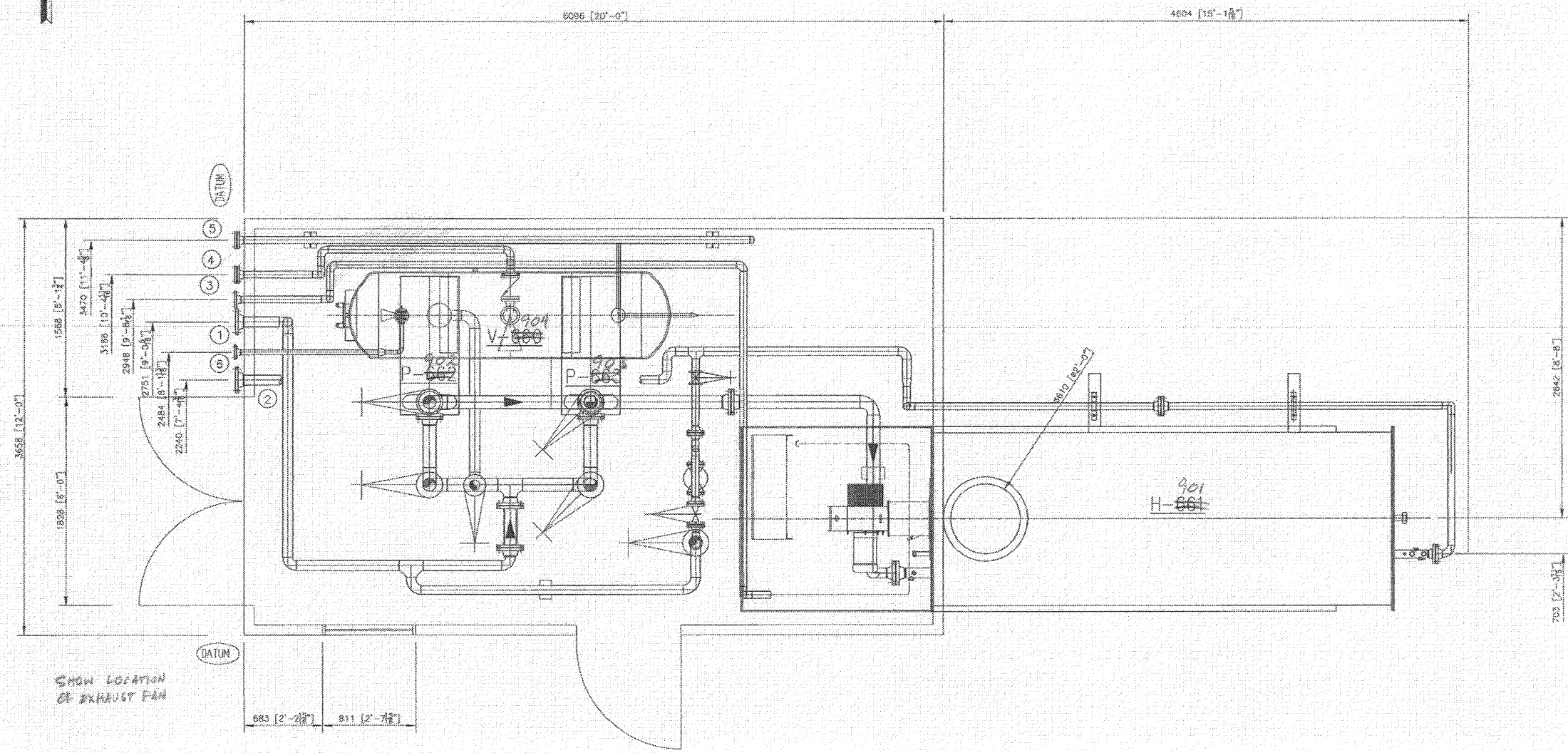
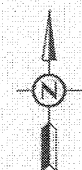
PROJECT NO.	PC6-0007	FIG. NO.	1835
DATE	NOV 9/06		
RA	RETURNED AND ACCEPTED AS FINAL UNDEVELOPED MANUFACTURING MAY PROCEED.		
RS	RETURNED AND ACCEPTED AS NOTED, REVISIONS REQUIRED, MANUFACTURING MAY PROCEED.		
RR	RETURNED AND RETURNED, CORRECT AND RE-REVIEW, MANUFACTURING MAY PROCEED.		
RNR	RETURNED AND RE-REVIEW, FOR PERFORMANCE ONLY.		
RE	ACCEPTANCE OF THIS SKID DESIGN BY SOLAR DOES NOT RELIEVE THE VENDOR OF ANY RESPONSIBILITY OR OF THE TERMS AND CONDITIONS OF THE CONTRACT.		

P06-0007-1335-02-R1
 Document: Process & Instrumentation Diagram
 Document #: 300-608-47
 Equipment Tag: N/A
 Motor: Rev. A
 Date: November 6, 2006

FOR INFORMATION ONLY

REFERENCE DRAWINGS 102-608-47 GENERAL ARRANGEMENT 103-608-47 GENERAL ARRANGEMENT 200-608-47 FLAME SAFEGUARD ELECTRICAL DIAGRAM	GENERAL NOTES 1. FUEL GAS VENT VALVES, PRESSURE REGULATOR VENTS & RELIEF VALVE VENTS TO BE PIPED TO OUTSIDE OF ENCLOSURE TO ATMOS. 2. ALL ELECTRICAL EQUIPMENT SHALL BE CSA APPROVED & LABELED. 3. FINAL SET POINTS TO BE DETERMINED AT START-UP. 4. FUEL TRAIN BUILT TO CSA 149.3. 5. ALL CUSTOMER CONNECTIONS IN PIPERACK END OF BUILDING, LOW. 6. INDOOR FLUORESCENT LIGHTING, OUTDOOR HPS LIGHT WITH PHOTOCELL AND RECEPTACLE TO BE WIRED TO JOB OR OUTSIDE OF BUILDING CIRCUIT PROTECTION BY OTHERS.	REVISIONS <table border="1"> <tr> <th>NO.</th> <th>BY</th> <th>CHK'D</th> <th>DESCRIPTION</th> <th>DATE</th> </tr> <tr> <td>A</td> <td>DP</td> <td>-</td> <td>ISSUED FOR APPROVAL</td> <td>30-10-06</td> </tr> </table>	NO.	BY	CHK'D	DESCRIPTION	DATE	A	DP	-	ISSUED FOR APPROVAL	30-10-06	REVISIONS <table border="1"> <tr> <th>NO.</th> <th>BY</th> <th>CHK'D</th> <th>DESCRIPTION</th> <th>DATE</th> </tr> <tr> <td>A</td> <td>DP</td> <td>-</td> <td>ISSUED FOR APPROVAL</td> <td>30-10-06</td> </tr> </table>	NO.	BY	CHK'D	DESCRIPTION	DATE	A	DP	-	ISSUED FOR APPROVAL	30-10-06														
NO.	BY	CHK'D	DESCRIPTION	DATE																																	
A	DP	-	ISSUED FOR APPROVAL	30-10-06																																	
NO.	BY	CHK'D	DESCRIPTION	DATE																																	
A	DP	-	ISSUED FOR APPROVAL	30-10-06																																	
SHOP CODE: N/A	THIS DOCUMENT CONTAINS MATERIAL AND/OR INFORMATION WHICH IS PROPERTY OF HTH HEATECH INC. AND SUPPLIED ONLY ON A CONFIDENTIAL BASIS. NO TRANSMITTAL OR DISCLOSURE SHALL BE MADE TO ANY PERSON, FIRM, OR CORP. WITHOUT THE PRIOR WRITTEN APPROVAL OF HTH HEATECH INC.	<table border="1"> <tr> <td>CUSTOMER TAG NO.</td> <td></td> </tr> <tr> <td>CUSTOMER PROJECT NO.</td> <td></td> </tr> <tr> <td>CUSTOMER P.O.</td> <td>000001335-0</td> </tr> <tr> <td>DRAWN BY:</td> <td>DP</td> </tr> <tr> <td>DATE:</td> <td>30-10-06</td> </tr> <tr> <td>APPROVED BY:</td> <td></td> </tr> <tr> <td>DATE:</td> <td></td> </tr> <tr> <td>PRINT CO.</td> <td>G.GODSON</td> </tr> <tr> <td>HTH TAG NO.</td> <td>30-10-06</td> </tr> <tr> <td>HTH JOB NO.</td> <td>HTH-608-47</td> </tr> </table>	CUSTOMER TAG NO.		CUSTOMER PROJECT NO.		CUSTOMER P.O.	000001335-0	DRAWN BY:	DP	DATE:	30-10-06	APPROVED BY:		DATE:		PRINT CO.	G.GODSON	HTH TAG NO.	30-10-06	HTH JOB NO.	HTH-608-47	<table border="1"> <tr> <td colspan="2" style="text-align: center;">HEATECH</td> </tr> <tr> <td colspan="2" style="text-align: center;">HTH HEATECH INC. CALGARY, ALBERTA</td> </tr> <tr> <td colspan="2" style="text-align: center;">TITLE: PROCESS & INSTRUMENTATION DIAGRAM</td> </tr> <tr> <td colspan="2">END USER/CUSTOMER: PIONEER NATURAL RESOURCES CANADA INC. SOLARIS MANAGEMENT CONSULTANTS INC.</td> </tr> <tr> <td colspan="2">PROJECT/LOCATION: PIONEER CHINCHANGA HTH SKID L3D c-32-H/84-H-8</td> </tr> <tr> <td>SCALE: NTS</td> <td>DRAWING NO.: 300-608-47</td> </tr> <tr> <td>REV: A</td> <td></td> </tr> </table>	HEATECH		HTH HEATECH INC. CALGARY, ALBERTA		TITLE: PROCESS & INSTRUMENTATION DIAGRAM		END USER/CUSTOMER: PIONEER NATURAL RESOURCES CANADA INC. SOLARIS MANAGEMENT CONSULTANTS INC.		PROJECT/LOCATION: PIONEER CHINCHANGA HTH SKID L3D c-32-H/84-H-8		SCALE: NTS	DRAWING NO.: 300-608-47	REV: A	
CUSTOMER TAG NO.																																					
CUSTOMER PROJECT NO.																																					
CUSTOMER P.O.	000001335-0																																				
DRAWN BY:	DP																																				
DATE:	30-10-06																																				
APPROVED BY:																																					
DATE:																																					
PRINT CO.	G.GODSON																																				
HTH TAG NO.	30-10-06																																				
HTH JOB NO.	HTH-608-47																																				
HEATECH																																					
HTH HEATECH INC. CALGARY, ALBERTA																																					
TITLE: PROCESS & INSTRUMENTATION DIAGRAM																																					
END USER/CUSTOMER: PIONEER NATURAL RESOURCES CANADA INC. SOLARIS MANAGEMENT CONSULTANTS INC.																																					
PROJECT/LOCATION: PIONEER CHINCHANGA HTH SKID L3D c-32-H/84-H-8																																					
SCALE: NTS	DRAWING NO.: 300-608-47																																				
REV: A																																					

NOTE: * ADD WILSON DIAPHRAGM PUMP FOR FLOW OF GLYCOL



EQUIPMENT NOZZLE SCHEDULE				
EQUIP. NUMBER	NOZZLE NUMBER	SIZE	RATING & FINISH	SERVICE
CUSTOMER CONNECTIONS	1	4"	150# RF	THERMOFLUID INLET
	2	4"	150# RF	THERMOFLUID OUTLET
	3	2"	150# RF	FUEL GAS
	4	2"	150# RF	TRUCK CONNECTION
	5	2"	150# RF	DRAIN
	6	2"	150# RF	PSV HEADER

FOR INFORMATION ONLY

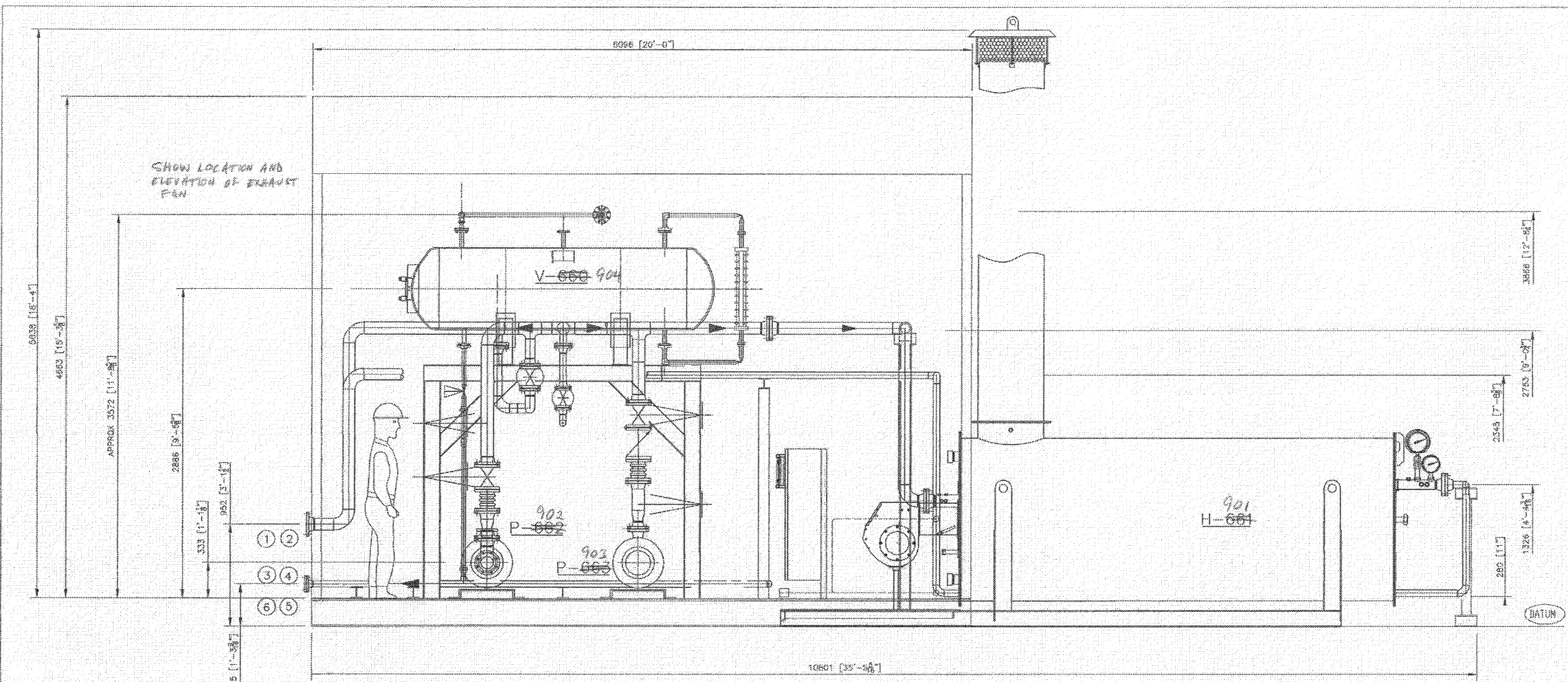
SOLARIS MANAGEMENT CONSULTANTS INC.	
PROJECT NO. P06-6007	EQ. NO. 1335
<input type="checkbox"/> REVIEWED AND ACCEPTED AS FINAL AND CERTIFIED. MANUFACTURED AND PROVIDED. <input checked="" type="checkbox"/> REVIEWED AND ACCEPTED AS NOT FOR REVISION. REVISIONS REQUIRED. MANUFACTURED AND PROVIDED. <input type="checkbox"/> REVIEWED AND RETURNED. CORRECT AND REASSEMBLED. MANUFACTURED AND PROVIDED. <input type="checkbox"/> REVIEWED AND RETURNED. FOR INFORMATION ONLY.	DATE: Nov 9/06 BY: [Signature]
<small>ACCEPTANCE OF THIS DOCUMENT BY SOLARIS DOES NOT RELIEVE THE VENDOR OF ANY RESPONSIBILITIES OR OF THE TERMS AND CONDITIONS OF THE CONTRACT.</small>	

P06-0007-1335-01-R1
 Document: General Arrangement - Plan View
 Document P: 100-608-47 (Sheet 1 of 2)
 Equipment Tag: NA Vendor: Rev: A
 Date: November 6, 2006

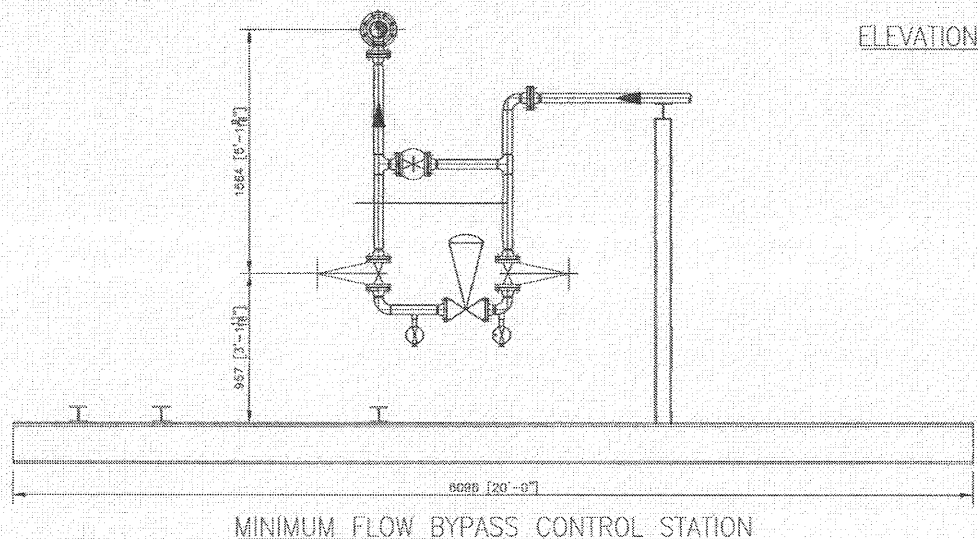
REFERENCE DRAWINGS	GENERAL NOTES	REVISIONS	CUSTOMER TAG NO.																														
103-608-47 GENERAL ARRANGEMENT - ELEVATION VIEW	NOTE 1: EXPANSION LOOP DETAILS TO BE CALCULATED, AND CONFIRMED	<table border="1" style="width: 100%; border-collapse: collapse;"> <thead> <tr> <th>NO.</th> <th>BY</th> <th>CHK'D</th> <th>DESCRIPTION</th> <th>DATE</th> </tr> </thead> <tbody> <tr> <td>A</td> <td>DP</td> <td>GG</td> <td>ISSUED FOR APPROVAL</td> <td>06.10.30</td> </tr> </tbody> </table>	NO.	BY	CHK'D	DESCRIPTION	DATE	A	DP	GG	ISSUED FOR APPROVAL	06.10.30	<table border="1" style="width: 100%; border-collapse: collapse;"> <tr> <td>CUSTOMER TAG NO.</td> <td> </td> </tr> <tr> <td>CUSTOMER PROJECT NO.</td> <td> </td> </tr> <tr> <td>CUSTOMER PO.</td> <td>0000001335-0</td> </tr> <tr> <td>DRAWN BY:</td> <td>DP</td> </tr> <tr> <td>DATE:</td> <td>06.10.30</td> </tr> <tr> <td>CHECKED BY:</td> <td>GG</td> </tr> <tr> <td>DATE:</td> <td> </td> </tr> <tr> <td>PROJ. GC.</td> <td>G. GODSON</td> </tr> <tr> <td>HTH TAG NO.</td> <td> </td> </tr> <tr> <td>HTH JOB NO.</td> <td>HTH-608-47</td> </tr> </table>	CUSTOMER TAG NO.		CUSTOMER PROJECT NO.		CUSTOMER PO.	0000001335-0	DRAWN BY:	DP	DATE:	06.10.30	CHECKED BY:	GG	DATE:		PROJ. GC.	G. GODSON	HTH TAG NO.		HTH JOB NO.	HTH-608-47
NO.	BY	CHK'D	DESCRIPTION	DATE																													
A	DP	GG	ISSUED FOR APPROVAL	06.10.30																													
CUSTOMER TAG NO.																																	
CUSTOMER PROJECT NO.																																	
CUSTOMER PO.	0000001335-0																																
DRAWN BY:	DP																																
DATE:	06.10.30																																
CHECKED BY:	GG																																
DATE:																																	
PROJ. GC.	G. GODSON																																
HTH TAG NO.																																	
HTH JOB NO.	HTH-608-47																																
<table border="1" style="width: 100%; border-collapse: collapse;"> <tr> <td style="text-align: center; font-size: 24pt; font-weight: bold;">HEATECH</td> </tr> <tr> <td style="text-align: center;">HTH HEATECH INC. CALGARY, ALBERTA</td> </tr> </table>			HEATECH	HTH HEATECH INC. CALGARY, ALBERTA	<table border="1" style="width: 100%; border-collapse: collapse;"> <tr> <td>TITLE</td> <td>GENERAL ARRANGEMENT - PLAN VIEW</td> </tr> <tr> <td>END USER/CUSTOMER</td> <td>PIONEER NATURAL RESOURCES CANADA INC SOLARIS MANAGEMENT CONSULTANTS INC.</td> </tr> <tr> <td>PROJECT/LOCATION</td> <td>PIONEER CHINCHAGA HM SKID LSD c-32-H/94-H-8</td> </tr> <tr> <td>SCALE</td> <td>1:20</td> </tr> <tr> <td>DRAWING NO.</td> <td>100-608-47 (SHEET 1 OF 2)</td> </tr> <tr> <td>REV.</td> <td>A</td> </tr> </table>	TITLE	GENERAL ARRANGEMENT - PLAN VIEW	END USER/CUSTOMER	PIONEER NATURAL RESOURCES CANADA INC SOLARIS MANAGEMENT CONSULTANTS INC.	PROJECT/LOCATION	PIONEER CHINCHAGA HM SKID LSD c-32-H/94-H-8	SCALE	1:20	DRAWING NO.	100-608-47 (SHEET 1 OF 2)	REV.	A																
HEATECH																																	
HTH HEATECH INC. CALGARY, ALBERTA																																	
TITLE	GENERAL ARRANGEMENT - PLAN VIEW																																
END USER/CUSTOMER	PIONEER NATURAL RESOURCES CANADA INC SOLARIS MANAGEMENT CONSULTANTS INC.																																
PROJECT/LOCATION	PIONEER CHINCHAGA HM SKID LSD c-32-H/94-H-8																																
SCALE	1:20																																
DRAWING NO.	100-608-47 (SHEET 1 OF 2)																																
REV.	A																																

EQUIPMENT NOZZLE SCHEDULE					
EQUIP. NUMBER	NOZZLE NUMBER	SIZE	RATING & FACING	SERVICE	
CUSTOMER CONNECTIONS	1	4"	150# RF	THERMOFLUID INLET	
	2	4"	150# RF	THERMOFLUID OUTLET	
	3	2"	150# RF	FUEL GAS	
	4	2"	150# RF	TRUCK CONNECTION	
	5	2"	150# RF	DRAIN	
	6	2"	150# RF	PSV HEADER	

* PLEASE VERIFY VENT SIZE THIS DRAWING SHOWS 1 1/2" NOZZLE BUT IT'S CALLED UP A 2" ISO#.
PLEASE MAKE SURE THE DRAWING SHOWS 2" NOZZLE.



ELEVATION VIEW



MINIMUM FLOW BYPASS CONTROL STATION

FOR INFORMATION ONLY

SOLARIS MANAGEMENT CONSULTANTS INC.	
PROJECT NO. P06-0007	FIG. NO. 1335
RA <input type="checkbox"/> REVIEWED AND ACCEPTED AS ISSUED AND CERTIFIED MANUFACTURING PROCEDURE	
RV <input checked="" type="checkbox"/> REVIEWED AND ACCEPTED AS NOTED, REVISED AND RESUBMITTED MANUFACTURING PROCEDURE	
RR <input type="checkbox"/> ISSUE QWB AND RETURNED TO CORRECT AND RE-SUBMIT MANUFACTURING PROCEDURE	
RNR <input type="checkbox"/> REVIEW NOT REQUIRED FOR THIS ISSUE ONLY	
BY <i>[Signature]</i>	DATE NOV 7 / 06

P06-0007-1335-01-R1
Document: Detail Arrangement - Elevation View
Document #: 100-608-47 (Sheet 2 of 2)
Equipment Tag: HTH Vendor: P06-A
Date: November 6, 2006

REFERENCE DRAWINGS

102-608-47 GENERAL ARRANGEMENT - PLAN VIEW

GENERAL NOTES

NOTE 1:
EXPANSION LOOP DETAILS TO BE CALCULATED, AND CONFIRMED

REVISIONS

NO.	BY	CHK'D	DESCRIPTION	DATE
A	DP	GG	ISSUED FOR APPROVAL	06.10.30

CUSTOMER TAG NO.	-
CUSTOMER PROJECT NO.	-
CUSTOMER PO.	0000001335-0
DRAWN BY	DP
CHECKED BY	GG
DATE	06.10.30
PROJ. CO.	G. GODSON
HTH TAG NO.	-
HTH JOB NO.	HTH-608-47



TITLE	GENERAL ARRANGEMENT - ELEVATION VIEW
END USER/CUSTOMER	PIONEER NATURAL RESOURCES CANADA INC. SOLARIS MANAGEMENT CONSULTANTS INC.
PROJECT/LOCATION	PIONEER CHINCHANGA HM SKID LSD C-32-H/84-H-8
SCALE	1:20
DRAWING NO.	100-608-47 (SHEET 2 OF 2)
REV.	A