

**T-272
ENGINE/COMPRESSOR LUBE OIL DRAIN TANK
(DOUBLE WALLED)**

VENDOR: TANKSAFE INC.
 SIZE INSIDE TANK: 3653mm O.D. x 3048mm HIGH
 SIZE OUTSIDE TANK: 4267mm O.D. x 2743mm HIGH
 CAP.: 200 BBL 32m³
 INT. COATING: NONE
 D.P.: 5.2 kPa (12 oz)

**T-908
ENGINE/COMPRESSOR LUBE OIL STORAGE TANK
(DOUBLE WALLED)**

VENDOR: TANKSAFE INC.
 SIZE INSIDE TANK: 3653mm O.D. x 3048mm HIGH
 SIZE OUTSIDE TANK: 4267mm O.D. x 2743mm HIGH
 CAP.: 200 BBL (32m³)
 INT. COATING: NONE
 D.P.: 5.2 kPa (12 oz)

**P-909
ENGINE/COMPRESSOR LUBE OIL TRANSFER PUMP**

BRAND: ROTO-KING
 MODEL: HJ-4195
 DRIVER: ELECTRIC 2 H.P. @ 1150 RPM
 460/3/60 XP

**P-910
ENGINE/COMPRESSOR LUBE OIL DRAIN PUMP**

BRAND: CHAMCO
 MODEL: ELIMINATIC E1 AA2R229
 DRIVER: PNEUMATIC
 CAPACITY: 820 GPM

**H-852
BUILDING HEATER**

BRAND: RUFFNECK
 MAKE/MODEL: "X" PROOF
 DUTY: (BTU/Hr.)

© TARTAN ENGINEERING LTD 1997



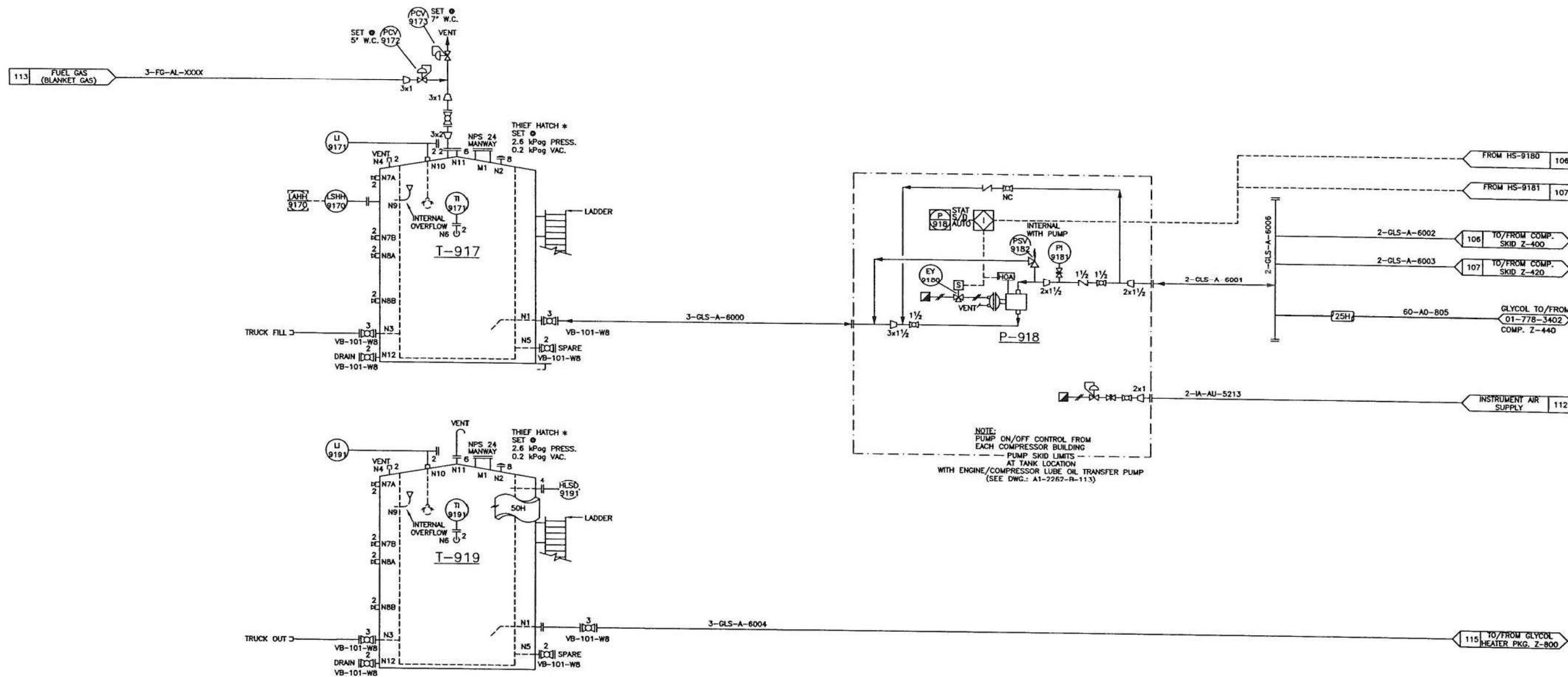
5	PLANT EXPANSION 2001/2002 (CONCISE JOB No. 01-778.04) - ISSUED FOR BID	01.11.01	CJB																
4	PLANT EXPANSION 2001/2002 (CONCISE JOB No. 01-778.04) - ISSUED FOR APPROVAL	01.09.27	CJB																
3	CONTROL REVISIONS	98.03.09	CMK																
2	RE-ISSUED FOR CONSTRUCTION	98.02.20	ADD																
1	ISSUED FOR CONSTRUCTION	97.11.28	LHMK																
D	ISSUED FOR DESIGN	97.10.18																	
C	ISSUED FOR APPROVAL	97.09.18	BP																
7	PLANT EXPANSION 2001/2002 (CONCISE PROJECT No. 01-778.04) - AS BUILT	02.03.13	AJR																
6	PLANT EXPANSION 2001/2002 (CONCISE JOB No. 01-778.04) - ISSUED FOR CONSTRUCTION	01.11.30	CJB	VN															
REV	REVISION	DATE	DRWN BY	CHKD BY	CIVL APP	PROC APP	MECH APP	ELEC APP	INST APP	SYST APP	PROJ ENG	Q.A.	OWNER CHKD	OWNER APP					



CHINCHAGA GAS PLANT
 c-32-H/94-H-8
 LUBE OIL SYSTEM P&ID

SCALE: NTS
 PROJECT No: 226200
 DWG. No: A1-2262-B-113
 REV: 7

FILE NAME: G:\1778.04\MECH\2262B113.DWG -- MENU: G:\PROGRAM FILES\ACAD2000\SUPPORT\ACAD -- PLOTTED: 2002.03.28 2:13pm -- tony



T-917
ETHYLENE GLYCOL STORAGE TANK
(DOUBLE WALLED)

VENDOR: TANKSAFE INC.
 SIZE INSIDE TANK: 1829mm O.D. x 1829mm HIGH
 SIZE OUTSIDE TANK: 2438mm O.D. x 1524mm HIGH
 CAP.: 200 BBL (32 m³)
 INT. COATING: NONE
 D.P.: 5.2 kPa (12 oz)

T-919
TRI-ETHYLENE GLYCOL STORAGE TANK
(DOUBLE WALLED)

VENDOR: TANKSAFE INC.
 SIZE INSIDE TANK: 2134mm O.D. x 2438mm HIGH
 SIZE OUTSIDE TANK: 2743mm O.D. x 2134mm HIGH
 CAP.: 8 m³ (50 BBL)
 INT. COATING: NONE
 D.P.: 5.2 kPa (12 oz)

P-918
ETHYLENE GLYCOL
TRANSFER PUMP

BRAND: CHAMCO
 MODEL: VERSAMATIC VSAP2R220
 DRIVER: PNEUMATIC

© TARTAN ENGINEERING LTD 1997

Concise Design
Engineering Services
 300, 738 - 8 Avenue S.W. Calgary, Alberta T2P 3W1
 Telephone: (403) 237-7160 Fax: (403) 237-7166

REV	REVISION	DATE	DRWN BY	CHKD BY	CIVL APP	PROC APP	MECH APP	ELEC APP	INST APP	SYST APP	PROJ ENG	QA	OWNER CHKD	OWNER APP
5	PLANT EXPANSION 2001/2002 (CONCISE JOB No. 01-778.04) - ISSUED FOR BID	01.11.01	CJB											
4	PLANT EXPANSION 2001/2002 (CONCISE JOB No. 01-778.04) - ISSUED FOR APPROVAL	01.09.27	CJB											
3	CONTROL REVISIONS	98.03.09	CMK											
2	RE-ISSUED FOR CONSTRUCTION	98.02.20	ADD											
1	ISSUED FOR CONSTRUCTION	97.11.28	LHNK											
0	ISSUED FOR DESIGN	97.10.15	RP											
C	ISSUED FOR APPROVAL	97.09.18	BP											
7	PLANT EXPANSION 2001/2002 (CONCISE JOB No. 01-778.04) - AS BUILT	02.03.13	AJR											
6	PLANT EXPANSION 2001/2002 (CONCISE JOB No. 01-778.04) - ISSUED FOR CONSTRUCTION	01.11.30	CJB	VN										

PERMIT	ENGINEER
--------	----------



PIONEER NATURAL RESOURCES CANADA INC.			
CHINCHAGA GAS PLANT C-32-H/94-H-8 ETHYLENE GLYCOL SYSTEM P&ID			
SCALE NTS	PROJECT No. 226200	DWG. No. A1-2262-B-114	REV 7

FILE NAME: G:\1778.04\MECH\2262B114.DWG --- MENU: C:\PROGRAM FILES\ACAD2000\SUPPORT\ACAD --- PLOTTED: 2002.03.28 2:39pm --- tony