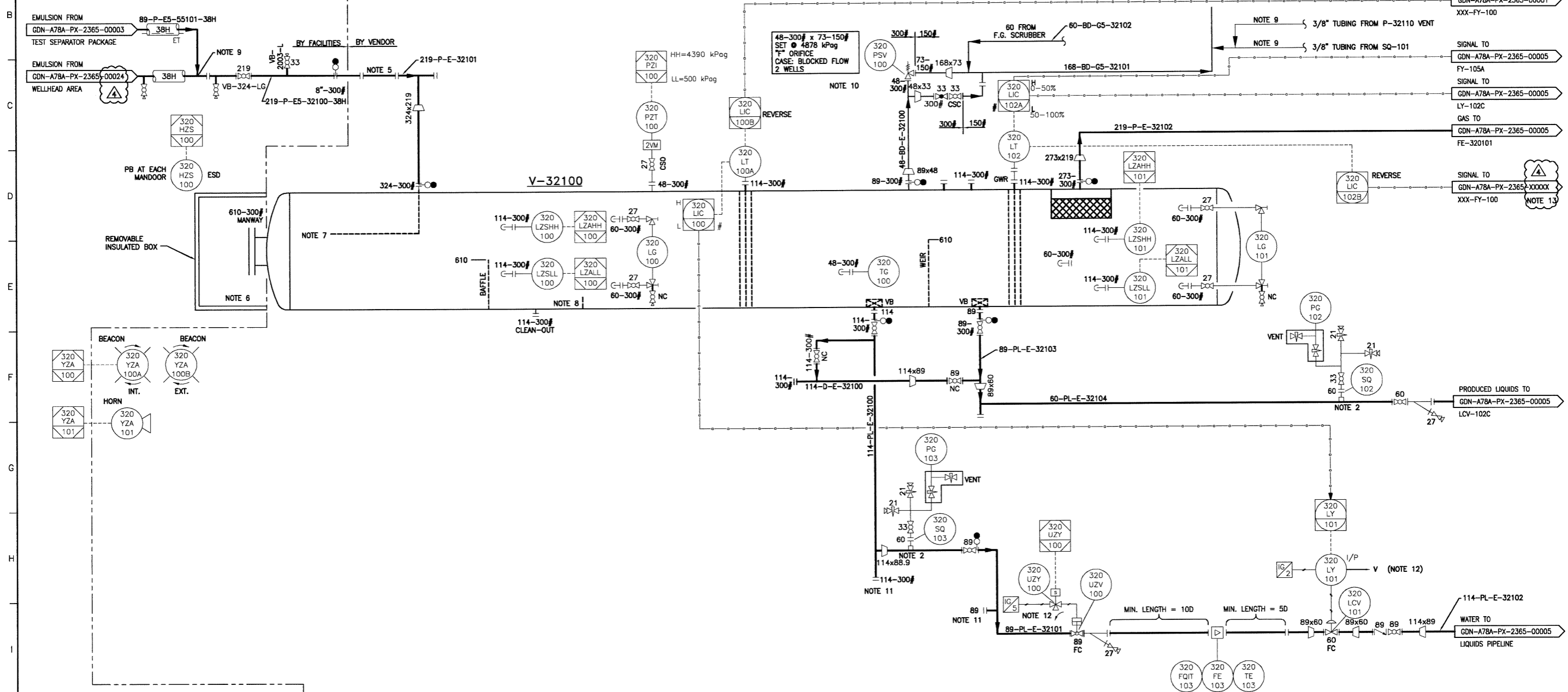


V-32100  
3 PHASE HORIZONTAL GROUP SEPARATOR

SIZE : 1219 mm ID x 6096 mm S/S  
DESIGN PRESSURE: 4878 kPag @ 65°C  
CORROSION ALLOWANCE : 3mm  
MMT -29°C

BU-32100 GROUP SEPARATOR SKID BOUNDARY  
CONTINUED ON GRB-1634-PX-2365-00006



THE SEAL AND SIGNATURE OF THE UNDERSIGNED ON THIS DRAWING CERTIFIES THAT THE DESIGN INFORMATION CONTAINED IN THESE DRAWINGS ACCURATELY REFLECTS THE ORIGINAL DESIGN AND MATERIAL DESIGN CHANGES MADE DURING CONSTRUCTION, THAT WERE BROUGHT TO THE UNDERSIGNED'S ATTENTION. THESE DRAWINGS ARE INTENDED TO INCORPORATE ADDENDA, CHANGE ORDERS AND OTHER MATERIAL DESIGN CHANGES, BUT NOT NECESSARILY ALL SITE INSTRUCTIONS.

THE UNDERSIGNED DOES NOT WARRANT OR GUARANTEE, NOR ACCEPT ANY RESPONSIBILITY FOR THE ACCURACY OR COMPLETENESS OF THE AS-CONSTRUCTED INFORMATION SUPPLIED BY OTHERS CONTAINED IN THESE DRAWINGS, BUT DOES, BY SEALING AND SIGNING, CERTIFY THAT THE AS-CONSTRUCTED INFORMATION, IF ACCURATE AND COMPLETE, PROVIDES AN AS-CONSTRUCTED SYSTEM WHICH SUBSTANTIALLY COMPLIES IN ALL MATERIAL RESPECTS WITH THE ORIGINAL DESIGN INTENT.

- 10. PSVs to be above relief header.
- 11. CONNECTIONS FOR FUTURE OFF-SKID WATER PUMP 114 SUCTION, 89 DISCHARGE.
- 12. ALL PNEUMATIC INSTRUMENTS TO BE VENTED OUTSIDE.
- 13. FOR SPECIFIC DRAWING NUMBERS, SEE TABLE 'A' ON PX-2365-00002.

- NOTES:
1. INSTRUMENT TUBING: 3/8", 0.035" WT 316SS C/W 316SS SWAGelok FITTINGS AND SS FERRULES.  
PROCESS & DRAIN TUBING: 1/2" - 900# AND LOWER: 0.049" WT 316SS C/W 316SS SWAGelok FITTINGS AND SS FERRULES.
  2. ALL SAMPLE PROBES MUST BE WELKER SP-2 OR EQUIVALENT.
  3. ALL HPV & LPD TO BE 3/4" TOL & BALL VALVE C/W HEX PLUG.
  4. SET POINTS TO BE CONFIRMED BY SHELL.
  5. SPOOL FOR FUTURE INLET CONTROL VALVE (LEVEL OVER-RIDE)
  6. MANWAY NECK, FLANGE, AND BLIND SUITABLE FOR -45°C MDMT.
  7. HALF OPEN PIPE INLET DEVICE.
  8. SAND WEIR 150mm HIGH.
  9. TEST LINE TO ENTER GROUP HEADER AT 12:00 POSITION.

| NO. | REV. | DESCRIPTION                | DATE     | BY | CHKD | APP'D | REV. | NO.    | DATE | BY       | CHKD | APP'D |    |    |
|-----|------|----------------------------|----------|----|------|-------|------|--------|------|----------|------|-------|----|----|
| 4   |      | RE-ISSUED FOR ASBUILT      | 16.06.01 | MM | BY   | WW    |      | 026383 | LJ   | 16.06.01 | MM   | BY    | WW |    |
| 3   |      | RE-ISSUED FOR ASBUILT      | 15.06.25 | PT | MM   | LW    |      | 026383 | HQH  | 15.06.25 | PT   | MM    | LW |    |
| 2   |      | ASBUILT                    | 15.04.24 | PT | MM   | LW    |      | 026383 | HQH  | 15.04.24 | PT   | MM    | LW |    |
| 1   |      | RE-ISSUED FOR CONSTRUCTION | 14.08.19 | WS | SG   | HB    | LW   | 026383 | DG   | 14.08.19 | WS   | SG    | HB | LW |
| 0   |      | ISSUED FOR CONSTRUCTION    | 14.06.20 | WS | SG   | HB    | LW   | 026383 | DG   | 14.06.20 | WS   | SG    | HB | LW |
| B   |      | ISSUED FOR HAZOP           | 14.05.26 | CD | SG   | LW    |      | 026383 | RAW  | 14.05.26 | CD   | SG    | LW |    |
| A   |      | ISSUED FOR REVIEW          | 14.04.24 | CD | SG   | LW    |      | 026383 | DG   | 14.04.24 | CD   | SG    | LW |    |

STAMPS

| DISCIPLINE APPROVAL |                 |
|---------------------|-----------------|
| INITIAL             | DATE (YY-MM-DD) |
| PIPING              |                 |
| PROCESS             |                 |
| MECH                |                 |
| STRUCT              |                 |
| INSTR               |                 |
| ELECT               |                 |
| CTRLS               |                 |
| STRESS              |                 |

WorleyParsons  
SHELL CANADA LIMITED

SUBJ: P&ID - L.P. GROUP SEPARATOR (BU-32100)  
ITEM: MULTI WELLPAD  
PROP: GUNDY NORTH α-078-A/094-B-16  
LOC: BRITISH COLUMBIA

SCALE: NTS  
DWG NUMBER: GDN-A78A-PX-2365-00004  
REV: 4