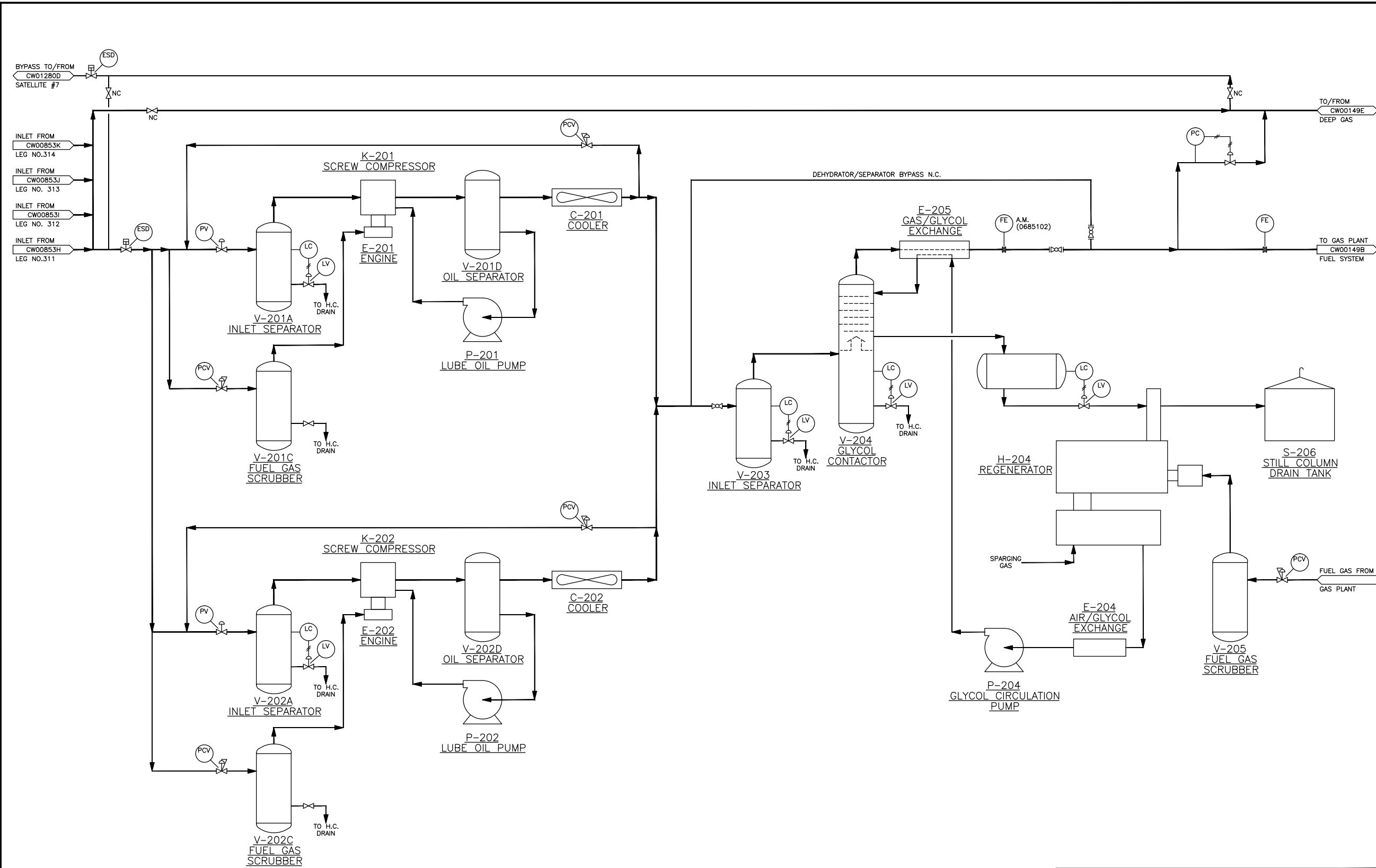


Date and Time Saved

CADD DWG - DO NOT MANUALLY CHANGE



CAUTION : READ BEFORE EXCAVATION

NOT WITHSTANDING INFORMATION PROVIDED BY PANCANADIAN PETROLEUM LIMITED IN ANY FORM, THE CONTRACTOR SHALL UTILIZE ELECTRIC LOCATING EQUIPMENT TO LOCATE UNDERGROUND PIPING AND ELECTRICAL WIRING ETC., PRIOR TO HAND EXCAVATION.

ONCE ALL UNDERGROUND FACILITIES HAVE BEEN HAND EXCAVATED THE CONTRACTOR SHALL RECHECK, WITH ELECTRONIC LOCATING EQUIPMENT, THE ENTIRE WORK AREA TO BE MECHANICALLY EXCAVATED TO ENSURE THAT NO FACILITIES HAVE BEEN MISSED.

| REFERENCE DRAWINGS | DWG. NO. | NO. | PROJECT DESCRIPTION | PROJ. | AFE | EPCM Co. | EPCM No. | ENG. |
|--------------------|----------|-----|------------------------------------|--------|-----|----------|----------|------|
| | | A | CONCEPTUAL | 263200 | - | TARTAN | - | - |
| | | 1 | PRELIMINARY DESIGN & CLIENT REVIEW | 263200 | - | TARTAN | - | - |
| | | 2 | ISSUED FOR CONSTRUCTION | 263200 | - | TARTAN | - | - |
| | | 3 | METERING SCHEMATIC UPDATE | 263200 | - | TARTAN | - | - |
| | | 4 | AS-BUILT | 263200 | - | TARTAN | - | - |

| REV. NUMBER | ISSUE STAGE | DATE | BY | CHKD. | APPD. | PERMIT STAMP | ENGINEER'S STAMP |
|-------------|-------------|----------|----|-------|-------|--------------|------------------|
| 4 | Prelim. | - | - | - | - | | |
| | Blid | - | - | - | - | | |
| | Constr. | 01.01.18 | CG | - | - | | |
| | As-built | 01.06.12 | ER | - | - | | |

PanCanadian

PROJECT: HUSSAR CROWFOOT RE-CONSTRUCTION

SCALE: NTS (A1 Size)

LOC: 14-01-024-22 W4M

EPCM CO: TARTAN ENGINEERING LTD. EPCM NO: A1-2632-B-001

FACILITY: GAS PLANT

TITLE: PROCESS FLOW DIAGRAM SATELLITE #3

AREA: CROWFOOT CLASS: A FILE NO.: CW02223A