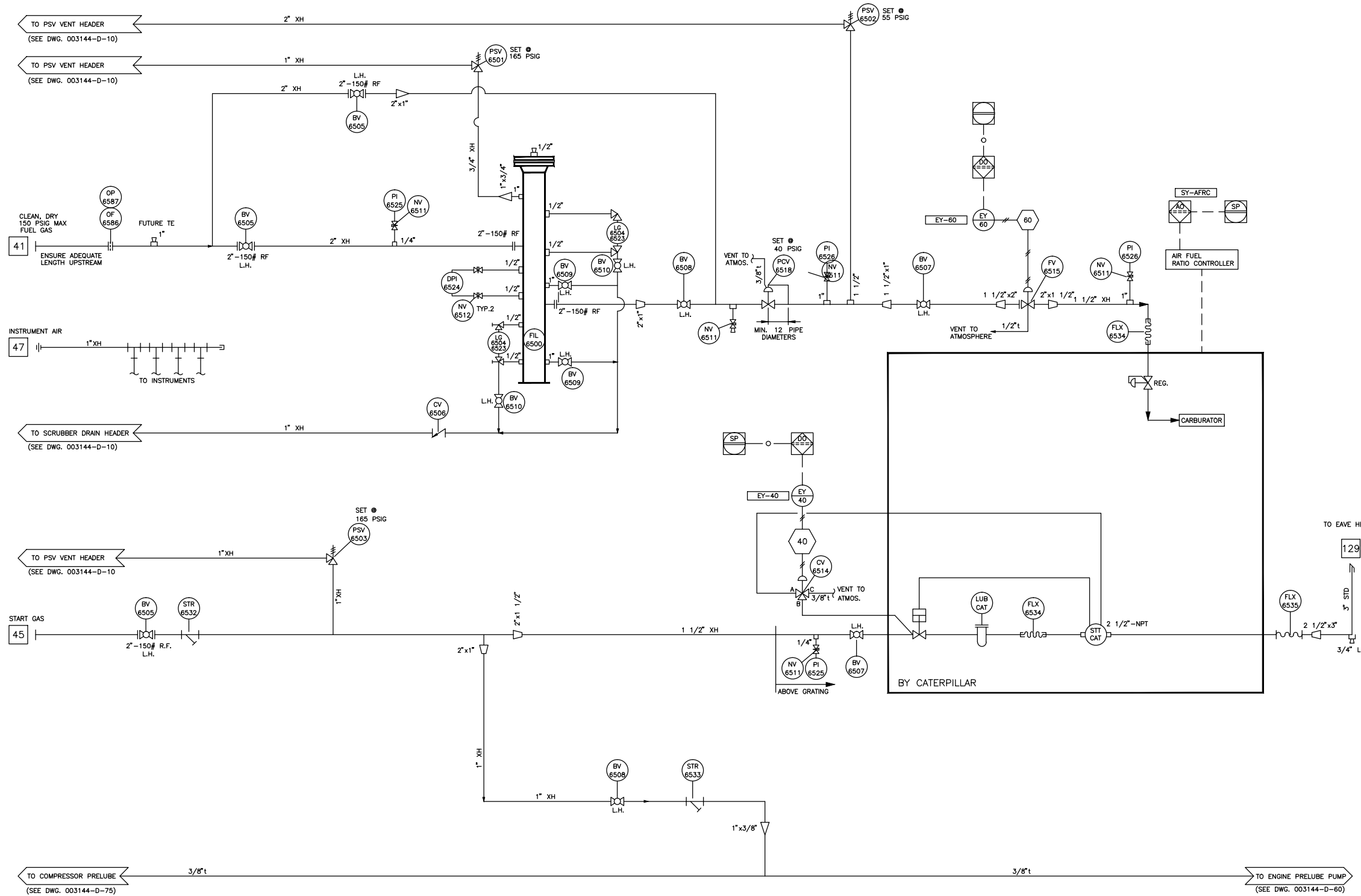


PLOT DATE: 29 SEP 00

CAD FILE: M:\WO\003144\ASBUILT\P&ID\003143-65.DWG
 November 27, 2001 8:24:09 a.m.
 Drawing: Q:\PCPJ0BS\4330\VENOR\WEATHERFORD\RK008341.DWG



BILL OF MATERIAL

NOTE: ITEM No. = FIRST TWO DIGITS (Work Center), LAST TWO DIGITS (Item No.)

ITEM	PART NO.	TOTAL QUANTITY	DESCRIPTION	REV
6500	813-6720	1.00 EA	FILTER,FUEL,PECO,85-1-PCHG36, MODEL#85-1-PCHG36-6-275-2F, NOTE:DRAWINGS/CALCS/CRN# TO BE PROVIDED WITHIN 2 DAYS OF ORDR	
6501	809-3417	1.00 EA	VALVE,RELIEF,TAYLOR,82-335131 1"MNPT X 1"FNPT,60-175 PSI, 1/2"ORIFICE,-20/400F,CS BODY SET @ 165 PSI	
6502	813-6750	1.00 EA	VALVE,RELIEF,CROSBY,981305, 1.50"MNPTX2"FNPT,CS,BODY, SSTRIM,17-7PH,SPRING VITON, SEAT,RING,C/W SOFT,SEAT TRIM, *TEST REPORTS MUST BE SUPPLIED WITH VALVE UPON SHIPMENT SET @ 55 PSI	
6503	809-3417	1.00 EA	VALVE,RELIEF,TAYLOR,82-335131 1"MNPT X 1"FNPT,60-175 PSI, 1/2"ORIFICE,-20/400F,CS BODY SET @ 165 PSI	
6504	812-0932	2.00 EA	VALVE,GUAGE,SET,PENBERT,330J, STD STEEL,PEN P/N 411-171 0.5"NPTF (RIGID) - GAUGE CONN 0.5"NPTM - VESSEL CONN 0.5"NPTF - VENT-DRAIN CONN	
6505	803-8303	3.00 EA	VALVE,BALL,2-150,RF,NUTRON, R.PORT,MODEL# T3-R20R01BL LOCKING HANDLE	
6506	807-8128	1.00 EA	VALVE,CHECK,PIST,SCR,1-600* VELAN,MODEL# 1S05-2034B-02TY	
6507	803-1053	2.00 EA	VALVE,BALL,SCR,1.5-1500,APOLL* R.PORT,MODEL# 89-107-27\HL	
6508	803-9843	2.00 EA	VALVE,BALL,SCR,1-2000,APOLLO* R.PORT,MODEL# 89-105-27\HL	
6509	800-7453	2.00 EA	VALVE,BALL,SCR,1-2000,NUTRON, R.PORT,MODEL# T3-R10S20B	
6510	811-4614	2.00 EA	VALVE,BALL,SCR,0.5-3000,NUTRON R.PORT,MODEL# T3-F05S30BL\HL	
6511	804-2458	5.00 EA	VALVE,NEEDLE,CM2-3-M22T-B-V,* CENTURY,0.25"MXF,CS,6000PSI	
6512	804-2441	2.00 EA	VALVE,NEEDLE,CM2-3-M44T-B-V,* CENTURY,0.5"MXF,CS,6000PSI	
6514	803-9113	1.00 EA	VALVE,3-WAY,FISHER,164A,	
6515	813-5514	1.00 EA	VALVE,FUEL,MURPHY,M5180-P-2, 2" NPT,STEEL BODY,PNEUMATIC	
6518	812-2074	1.00 EA	REGULATOR,FISHER,627F-22B/CGA, 1" NPT,DUCTILE IRON BODY C/W ALUM SPRING CASE,NITRILE DIA. 3/8" ALUMINIUM ORIFICE 35-100 PSI SPRING RANGE 250 PSI MAX. INLET PRESSURE SET @ 40 PSIG	
6523	804-1818	2.00 EA	GAUGE,LEVEL,PENBERTHY,1RL4	
6524	809-1287	1.00 EA	GAUGE,PRESS,DIFFER,0-30PSID, MID-WEST MODEL# 120-AA-00-00, 6000# MAX W.P,2.5" DIAL,1/4" NPT ALUMIN,BODY,316SS WETTED PARTS	
6525	803-1686	2.00 EA	GAUGE,PRESS,2.5,0-300PSI,WIKA* BTM MOUNT,DUAL SCALE,L.F. MODEL# 233.53	
6526	810-7502	2.00 EA	START/FUEL GAS SUPPLY PRESSURE GAUGE,PRESS,2.5,0-100PSI,WIKA, BACK MOUNTED,DUAL SCALE,L.F. MODEL #233.53	
6532	800-9762	1.00 EA	STRAINER,Y,2,NPT,CS,* MUELLER,#581,CLASS 600	
6533	800-9738	1.00 EA	STRAINER,Y,1,NPT,CS, MUELLER,#581,CLASS 600	
6534	804-2336	2.00 EA	HOSE,BRAID,1.5"NPTX10'LG,SS	
6535	804-8663	1.00 EA	HOSE,BRAID,2.5"NPTX12'LG,SS	
6586	812-3905	1.00 EA	FLANGE,ORIFICE,RFWN,2-300,XH, SA105N,PURCHASED IN PAIRS HARDWARE NOT INCLUDED	
6587	813-5835	1.00 EA	PLATE,ORIFICE,2-300,RF 0.125" THK, FULL BORE, C.S., PHONO FINISH	

CUSTOMER CONNECTIONS

TAG	DESCRIPTION	SIZE	TAG	DESCRIPTION	SIZE
41	FUEL GAS SUPPLY	2"-150# RF			
45	START GAS SUPPLY	2"-150# RF			
47	INSTRUMENT AIR SUPPLY	1"-NPT			
129	START GAS VENT	3" MITRE			

GENERAL NOTES

1. SEE DWG. 003144-D-10 FOR GENERAL NOTES.

PanCanadian

PROJECT: CAVALIER AREA OPTIMIZAT.
 ROCKYFORD COMPRESSOR
 MAIN TFC: GAS SAT. 14-09
 MAIN LBL: 14-09-025-23 W4M

ENCL: DPH ENGINEERING INC. 4330
 SITE: GAS PLANT
 EQUIP: Q-102

TITLE: PIPING AND INSTRUMENTATION DIAGRAM
 COMPRESSOR PACKAGE (Q-102)

AREA: ROCKYFORD FILE NO.: RK008341

THIS DRAWING REPRESENTS PROPRIETARY INFORMATION AND SHOULD NOT BE DISTRIBUTED OR MODIFIED IN ANY MANNER THAT IS NOT IN THE BEST INTEREST OF PANCANADIAN OR THE ORIGINAL AUTHOR

STAMP AREA

REV.	BY	CHK'D	REVISION DESCRIPTION	DATE
2	KLL		DPH PROJECT # 4330 - AS-BUILT	01.04.13
1	KC		AS BUILT	29 SEP 00

Weatherford GLOBAL

Weatherford Global Compression Services
 4949 - 76th Avenue S.E.
 P.O. Box 5308, Station 'A'
 Calgary, Alberta, Canada T2H 1X6

403/236-5252 Main
 800/661-5252 Toll Free
 403/236-4261 Fax

TITLE: UTILITIES & INSTRUMENTATION DIAGRAM
 CATERPILLAR 3516-LE-AFRC
 ENGINE FUEL GAS SCHEMATIC

END USER/CONSULTANT: PANCANADIAN RESOURCES
 LOCATION: SCANDIA COMPRESSOR STATION
 LSD: 4-12-18-17-W4M

REVISION: 1
 DWG. REFERENCE: 003144-D-65 REV.0

DRAWN: K. CHAN W.O. No. 003144
 UNIT No. 003144
 No. RECD: ONE PER W.O.
 SCALE: N.T.S.

DWG. No. 003144-D-65
 (SHEET 1 OF 1)