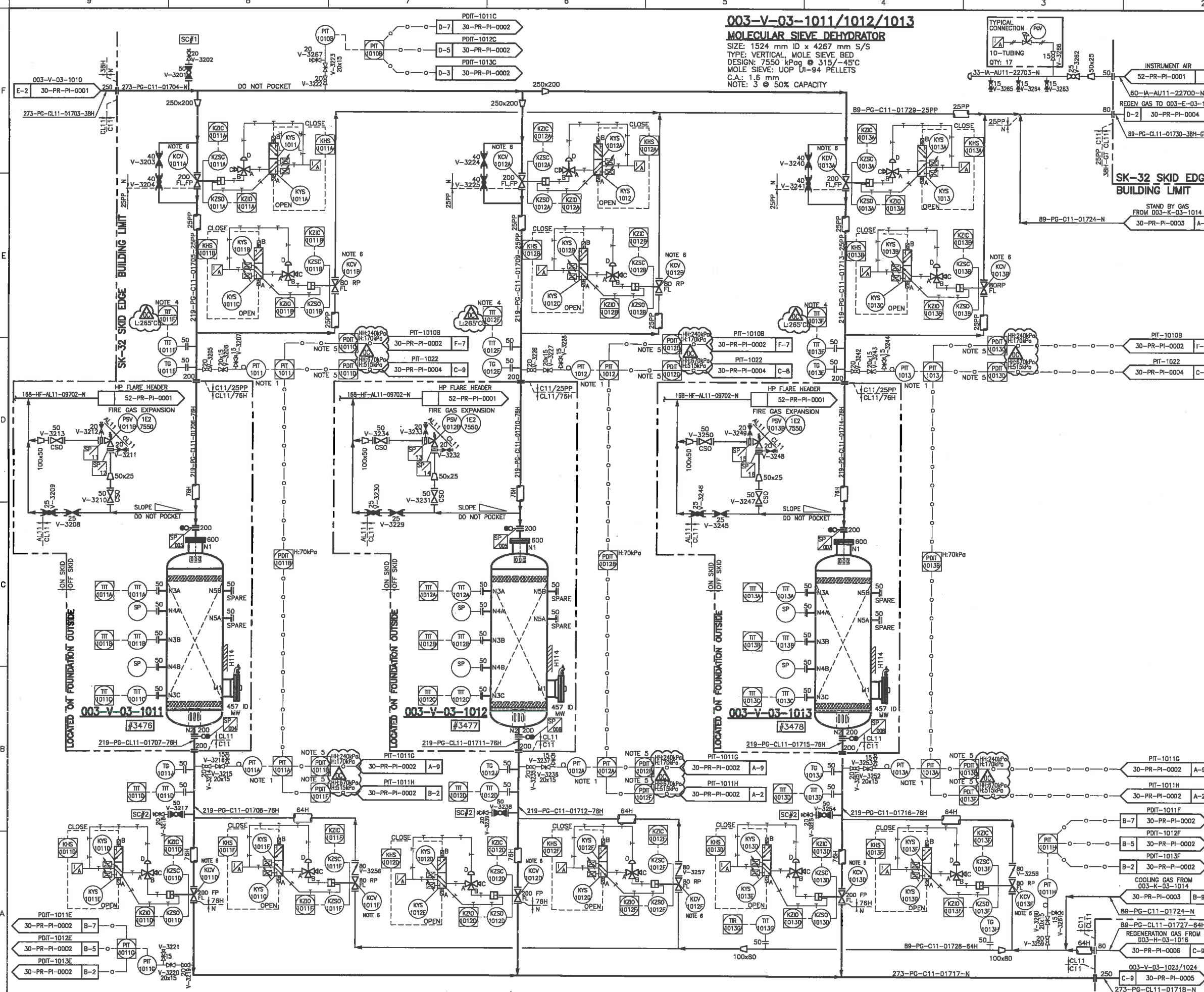


UPDATED: Friday, November 15, 2013 10:00:40 AM BY: Marnal
 PRINTED: Monday, January 20, 2014 9:15:47 AM DWG NAME: H:\PROJECTS\New NPS\Design Drafting\General\VFRA\VFRA-30-PR-PI-0002 Rev. 002.dwg
 PROJECT NAME: FERRIER CENTRAL PROCESSING FACILITY
 CLIENT: DEVON CANADA c/o WORLEY PARSONS
 DOCUMENT NAME: MOLE SIEVE GAS DEHYDRATION PIPING AND INSTRUMENTATION DIAGRAM
 THERMO DESIGN ENGINEERING LTD.
 12-118
 DFR-30-PR-PI-0002



003-V-03-1011/1012/1013
MOLECULAR SIEVE DEHYDRATOR
 SIZE: 1524 mm ID x 4267 mm S/S
 TYPE: VERTICAL MOLE SIEVE BED
 DESIGN: 7550 kPa @ 315/-45°C
 MOLE SIEVE: UOP UI-94 PELLETS
 C.A.: 1.6 mm
 NOTE: 3 @ 50% CAPACITY

- GENERAL NOTES:**
- INSTALL PIT IN SELF DRAINING ARRANGEMENT.
 - SEE ORBIT SWITCHING VALVE DETAIL.
 - ALL INSTRUMENT TAG NUMBERS SHALL FOLLOW ITS ASSOCIATED EQUIPMENT TAG NUMBERS, UNLESS OTHERWISE INDICATED (EX. PG-1010 ON EQUIPMENT 003-V-03-1010, FULL INSTRUMENT TAG NUMBER SHALL BE 003-PG-03-1010).
 - LOW ALARM TO BE INITIATED IN THE EVENT THAT MINIMUM TEMPERATURE IS NOT MET AFTER REGENERATION.
 - INHIBIT MAIN AND REGEN GAS SWITCHING VALVE OPERATION ON HIGH DIFFERENTIAL PRESSURE. PREFERRED PRESSURE END (PPE) OF SWITCHING VALVE TO FACE THE PIPING TO OR FROM THE MOLE SIEVE VESSEL.
 - DELETED.
 - ALL INSTRUMENT SYMBOLS ON THIS PID TO BE PREFIXED BY 03.



NO.	REVISION	DATE	BY
OC	REVISED AS MARKED	NOV.12/13	MFF
OB	REVISED AS MARKED	OCT.08/13	SSE
OA	REVISED AS MARKED	AUG.30/13	SSE
O	RELEASED FOR FABRICATION	APR.11/13	MFF

PROJECT NAME: FERRIER CENTRAL PROCESSING FACILITY
 CLIENT: DEVON CANADA c/o WORLEY PARSONS
 DOCUMENT NAME: MOLE SIEVE GAS DEHYDRATION PIPING AND INSTRUMENTATION DIAGRAM
 THERMO DESIGN ENGINEERING LTD.
 12-118
 DFR-30-PR-PI-0002