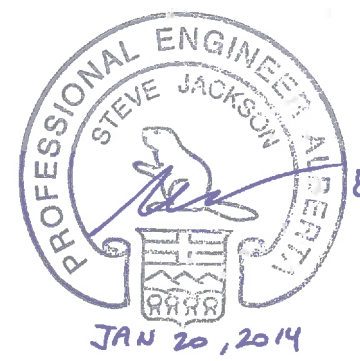
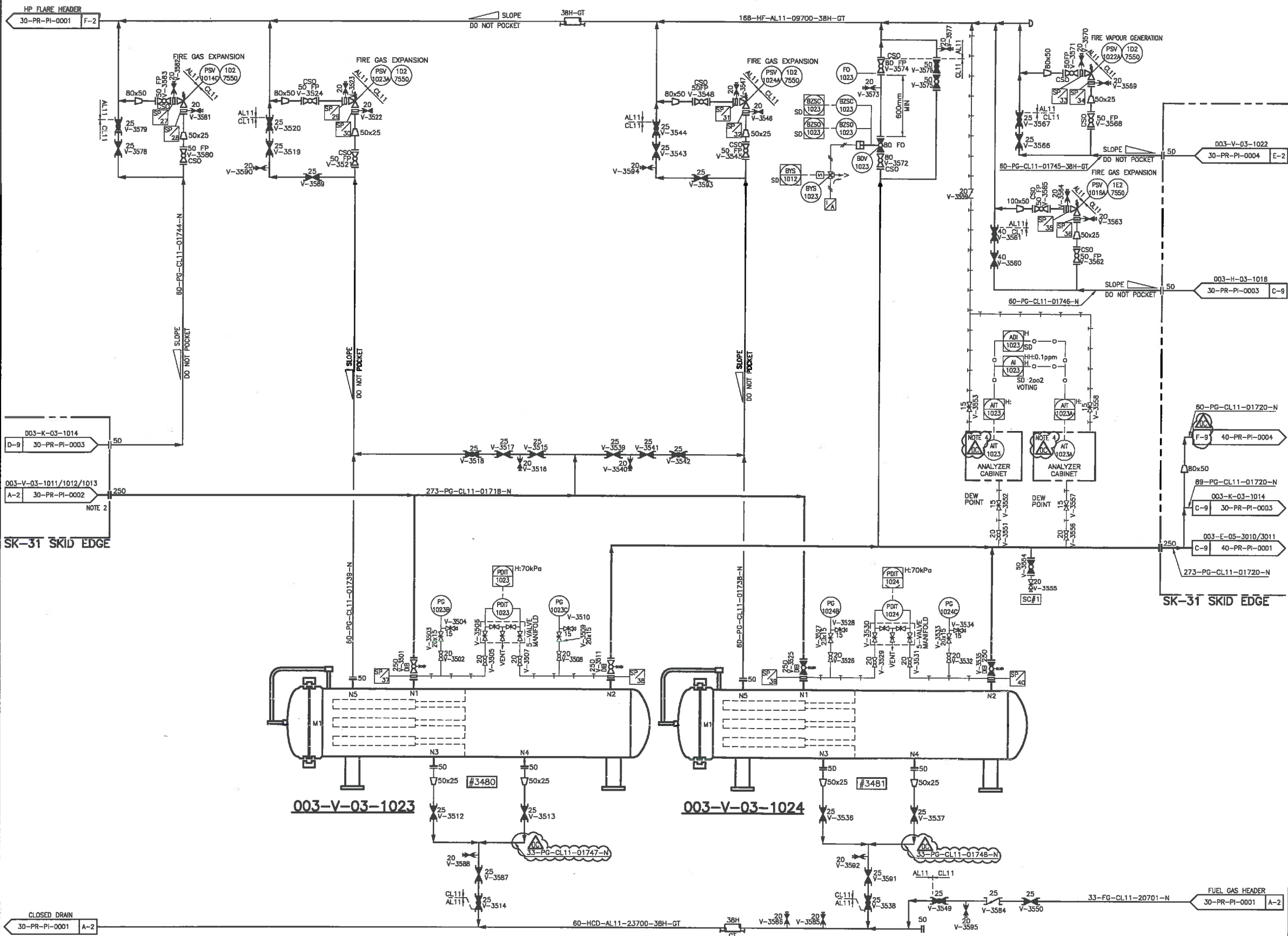


PRINTED: Monday, January 20, 2014 8:15:52 AM DWG NAME: H:\PROJECTS New NDS\Design Drafting\Gases\WFR\PI\WFR-30-PR-PI-005 Rev. 005.dwg
 UPDATED: Monday, November 18, 2013 1:27:18 PM BY: Manual

003-V-03-1023/1024
DUST FILTERS
 SIZE: 508 mm OD x 2184 mm S/F
 TYPE: HORIZONTAL DUST FILTER
 DESIGN: 7550 kPag @ 93/-45°C
 C.A.: 1.6 mm
 REMOVAL: 99.9% PARTICLES > 1 MICRON
 NOTES: QUANTITY: 8 JPME-4536-CE ELEMENTS (EACH)
 2 @ 100 % CAPACITY

003-AIT-1023/1023A
MOISTURE ANALYZERS
 MANUFACTURER: GE
 MODEL: GE SENSING MMS35

- GENERAL NOTES:**
- ALL INSTRUMENT TAG NUMBERS SHALL FOLLOW ITS ASSOCIATED EQUIPMENT TAG NUMBERS, UNLESS OTHERWISE INDICATED (EX. PG-1010 ON EQUIPMENT 003-V-03-1010, FULL INSTRUMENT TAG NUMBER SHALL BE 003-PG-03-1010).
 - IF FUTURE MERCURY REMOVAL UNIT IS REQUIRED, PIPE SPOOL BETWEEN MOLE SIEVE SWITCHING VALVE SKID AND DUST FILTER TO BE REPLACED AND CONNECTIONS AND VALVE ADDED AS REQUIRED.
 - ALL INSTRUMENT SYMBOLS ON THIS PID TO BE PREFIXED BY 03.
 - ANALYZER HAS 120 VAC POWER REQUIREMENT.



OC	REVISED AS MARKED	NOV.12/13	MFF	
OB	REVISED AS MARKED	OCT.08/13	SSE	
OA	REVISED AS MARKED	AUG.30/13	SSE	
O	RELEASED FOR FABRICATION	APR.11/13	MFF	
NO.	REVISION	DATE	BY	
ELECTRICAL	I & V	CONTROL	PROCESS	PROJECT
PROJECT NAME: FERRIER CENTRAL PROCESSING FACILITY				
CLIENT: DEVON CANADA c/o WORLEY PARSONS				
DOCUMENT NAME: MOLE SIEVE GAS DEHYDRATION PIPING AND INSTRUMENTATION DIAGRAM				
			P. ENG. STAMP:	
<small>THIS DRAWING IS THE CONFIDENTIAL PROPERTY OF TDE AND IS ISSUED ON THE UNDERSTANDING THAT NOTHING IS TO BE COPIED OR COMMUNICATED TO A THIRD PARTY WITHOUT THE WRITTEN AUTHORIZATION OF TDE.</small>				
TDC JOB NUMBER: 12-118		FROM:	REV:	
DOCUMENT NUMBER: DFR-30-PR-PI-0005		SHEET:	REV: OC	