

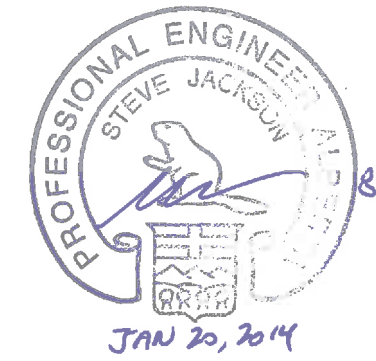
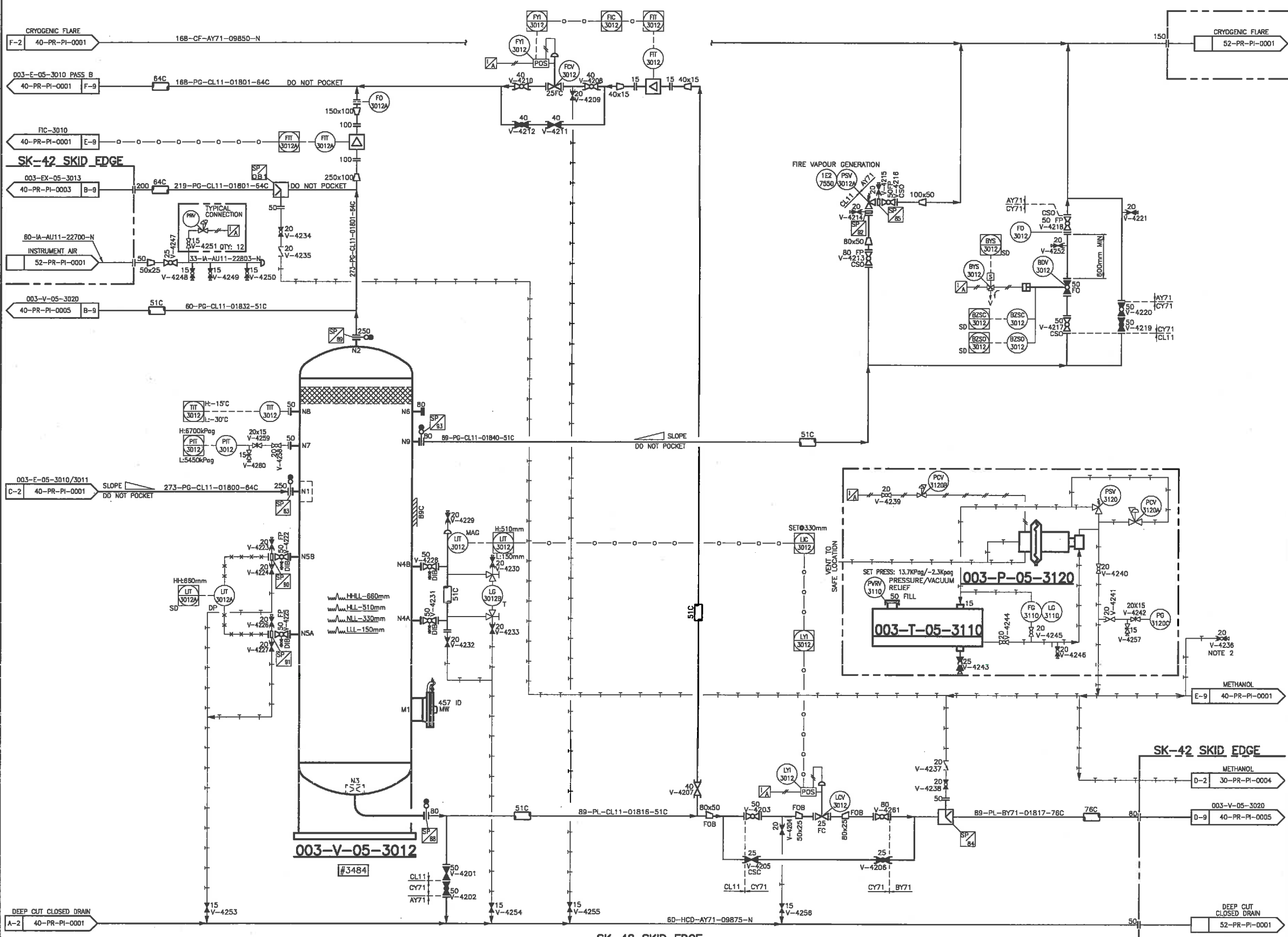
PRINTED: Monday, January 20, 2014 9:15:57 AM DWG NAME: H:\PROJECTS\New NDS\Design Drafting\General\UPR\PI\DFR-40-PR-PI-0002 Rev. 0C.dwg
 UPDATED: Friday, November 15, 2013 2:12:28 PM BR Manual

003-V-05-3012
COLD SEPARATOR
 SIZE: 1829 mm ID x 3048 mm S/S
 TYPE: VERTICAL, 2-PHASE SEPARATOR
 DESIGN: 7550 kPag @ 65/-45°C
 MATERIAL: LTCS
 C.A.: 1.6 mm

003-T-05-3110
METHANOL TANK
 CAPACITY: 1893 LITERS

003-P-05-3120
METHANOL INJECTION PUMP
 MODEL: BRUIN BR5007LP-1511
 TYPE: BR5000 SERIES CHEMICAL PUMP (PNEUMATIC)
 CAPACITY: 1438 LITERS/DAY

- NOTES:**
- ALL INSTRUMENT TAG NUMBERS SHALL FOLLOW ITS ASSOCIATED EQUIPMENT TAG NUMBERS, UNLESS OTHERWISE INDICATED (EX. PG-1010 ON EQUIPMENT 003-V-03-1010, FULL INSTRUMENT TAG NUMBER SHALL BE 003-PG-03-1010).
 - SPARE METHANOL INJECTION POINT.
 - DELETED.
 - DELETED.
 - ALL INSTRUMENT SYMBOLS ON THIS PID TO BE PREFIXED BY 05.



NO.	REVISION	DATE	BY
0C	REVISED AS MARKED	NOV.12/13	MFF
0B	REVISED AS MARKED	OCT.09/13	SSE
0A	REVISED AS MARKED	AUG.30/13	VV
0	RELEASED FOR FABRICATION	APR.5/13	MFF

PROJECT NAME: FERRIER CENTRAL PROCESSING FACILITY
 CLIENT: DEVON CANADA c/o WORLEY PARSONS
 DOCUMENT NAME: COLD SEPARATOR PIPING AND INSTRUMENTATION DIAGRAM
 THERMO DESIGN ENGINEERING LTD.
 12-118
 DFR-40-PR-PI-0002