

- GENERAL NOTES:**
1. ALL INSTRUMENT SYMBOLS ON SKID 32/33 TO BE PREFIXED BY -03.
  2. ALL INSTRUMENT SYMBOLS ON SKID 43 TO BE PREFIXED BY -05.
  3. BOTH GAS DETECTORS TO BE LOCATED INSIDE BUILDING.

**003-EF-03-1082/1083**  
**EXHAUST FAN**  
 MODEL: RUFFNECK EFX-12A-2H  
 CAPACITY: 3 AIR CHANGES PER HOUR PER FAN

**003-EF-03-1086/1087**  
**EXHAUST FAN**  
 MODEL: RUFFNECK EFX-12A-2H  
 CAPACITY: 3 AIR CHANGES PER HOUR PER FAN

**003-EF-05-3082/3083**  
**EXHAUST FAN**  
 MODEL: RUFFNECK EFX-12A-2H  
 CAPACITY: 3 AIR CHANGES PER HOUR PER FAN

**003-EFM-03-1082/1083**  
**EXHAUST FAN MOTOR**  
 MOTOR: 0.37 kW, 575V/3 $\phi$ /60Hz  
 EXPLOSION PROOF

**003-EFM-03-1086/1087**  
**EXHAUST FAN MOTOR**  
 MOTOR: 0.37 kW, 575V/3 $\phi$ /60Hz  
 EXPLOSION PROOF

**003-EFM-05-3082/3083**  
**EXHAUST FAN MOTOR**  
 MOTOR: 0.37 kW, 575V/3 $\phi$ /60Hz  
 EXPLOSION PROOF

**003-UHG-03-1080/1081**  
**HEATER**  
 MODEL: RUFFNECK MODEL #AH-24A-A5AI-AI-2H  
 DUTY: 36.4 kW

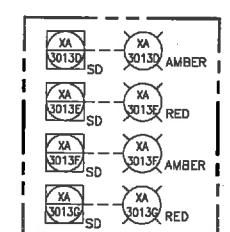
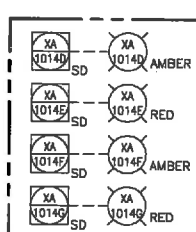
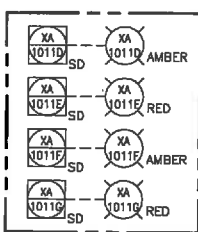
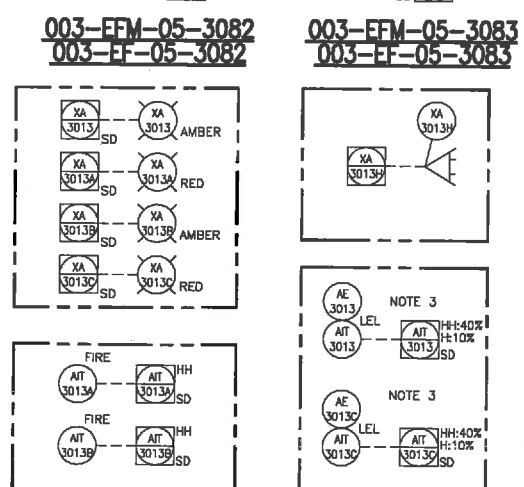
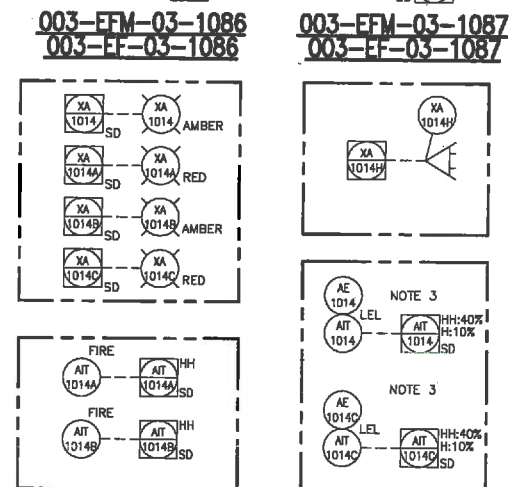
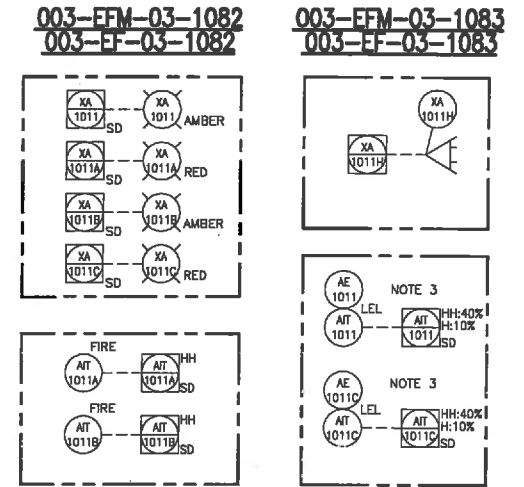
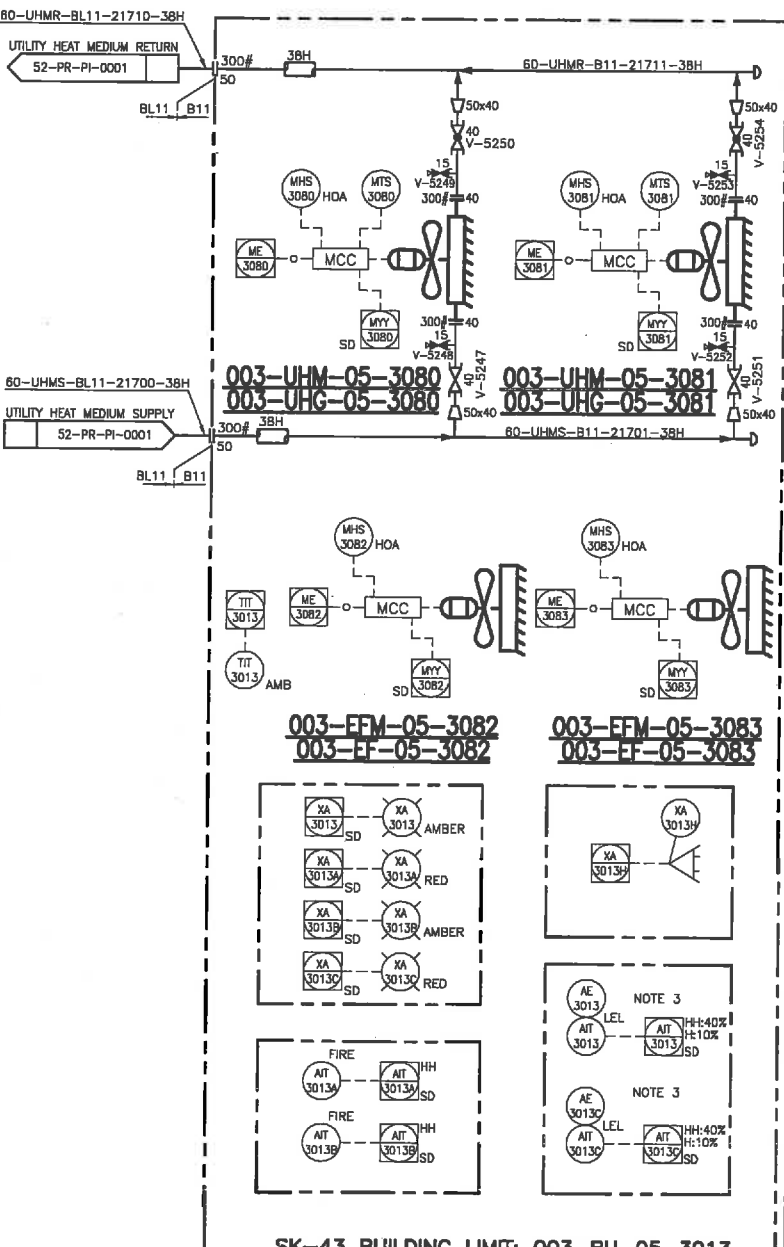
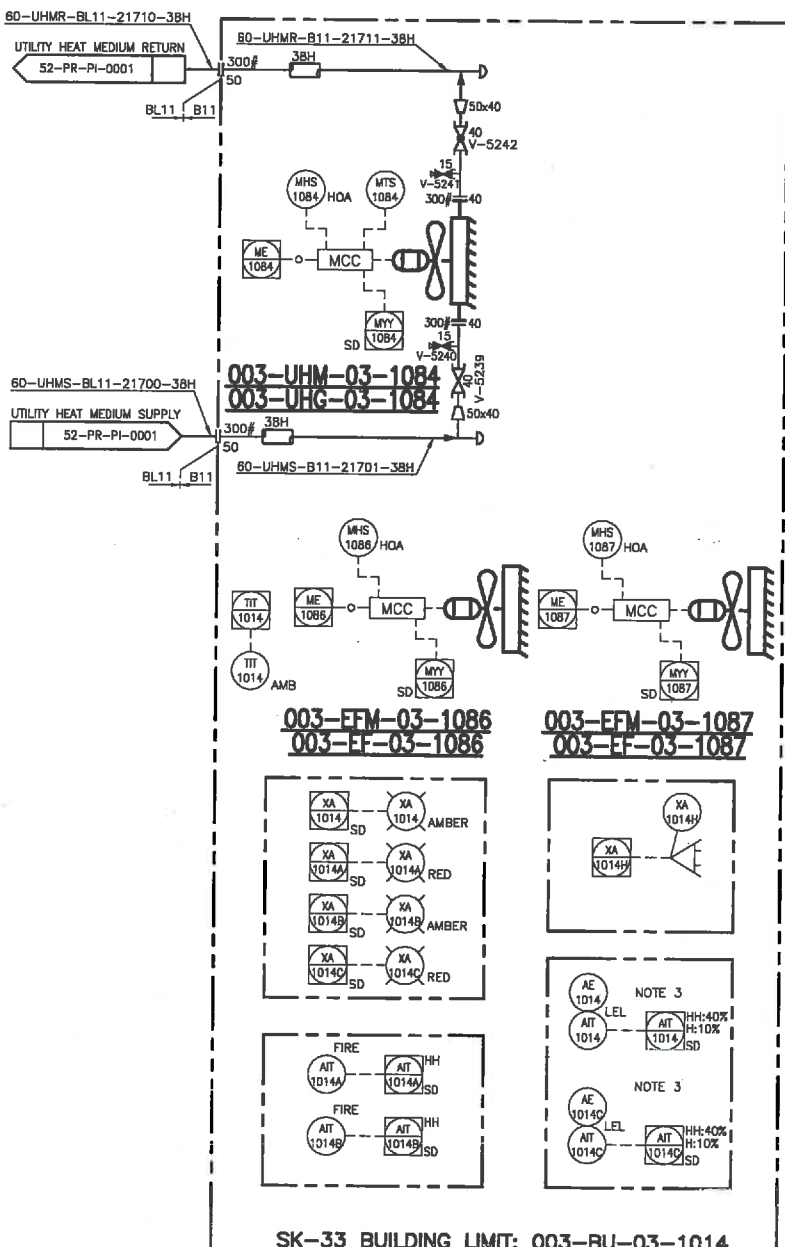
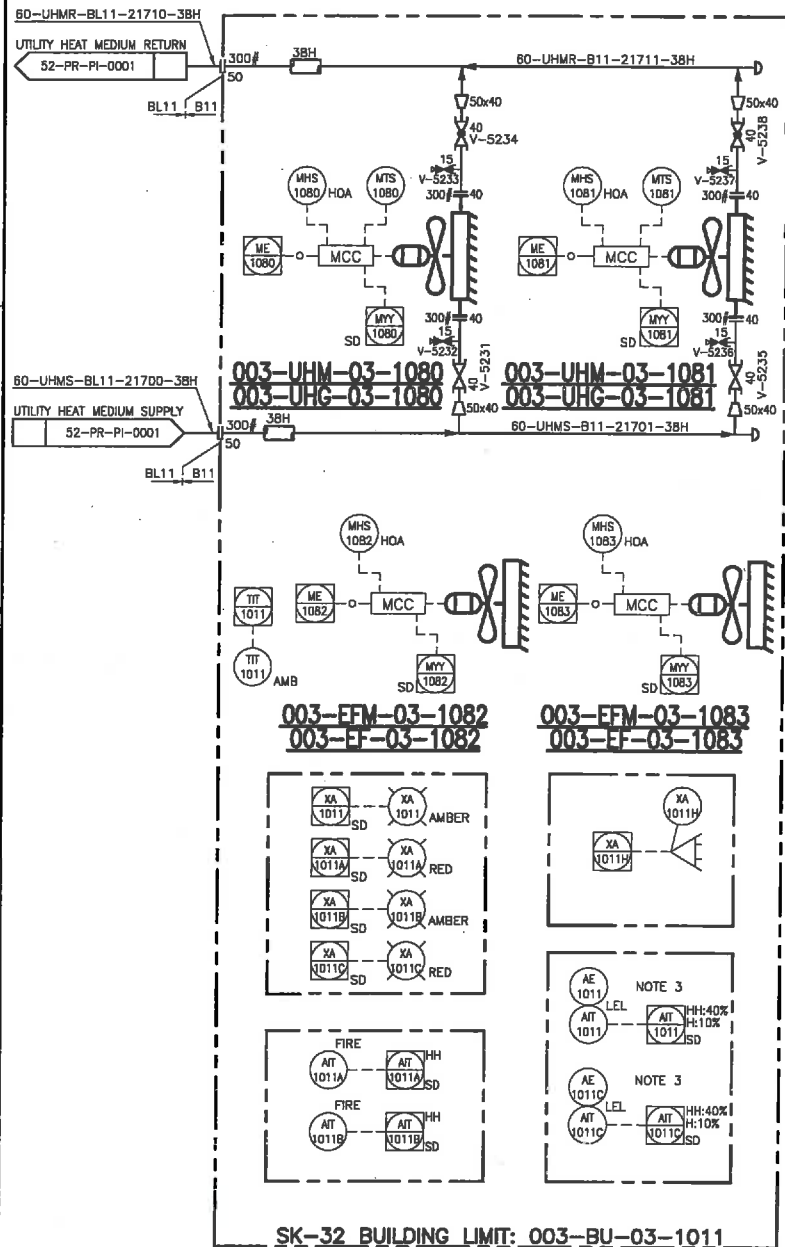
**003-UHG-03-1084**  
**HEATER**  
 MODEL: RUFFNECK MODEL #AH-24A-A5AI-AI-2H  
 DUTY: 36.4 kW

**003-UHG-05-3080/3081**  
**HEATER**  
 MODEL: RUFFNECK MODEL #AH-24A-A5AI-AI-2H  
 DUTY: 36.4 kW

**003-UHM-03-1080/1081**  
**HEATER MOTOR**  
 MOTOR: 0.37 kW, 575V/3 $\phi$ /60Hz

**003-UHM-03-1084**  
**HEATER MOTOR**  
 MOTOR: 0.37 kW, 575V/3 $\phi$ /60Hz

**003-UHM-05-3080/3081**  
**HEATER MOTOR**  
 MOTOR: 0.37 kW, 575V/3 $\phi$ /60Hz



0	RELEASED FOR FABRICATION	NOV.12/13	MFF
A	ISSUED FOR APPROVAL	OCT.08/13	SSE
NO.	REVISION	DATE	BY
PROJECT NAME: FERRIER CENTRAL PROCESSING FACILITY			
CLIENT: DEVON CANADA c/o WORLEY PARSONS			
DOCUMENT NAME: UTILITIES PIPING AND INSTRUMENTATION DIAGRAM			
THERMO DESIGN ENGINEERING LTD. OIL & GAS PRODUCTION EQUIPMENT DESIGN • PRECONSTRUCTION • INSTALLATION EDMONTON, ALBERTA, CANADA APEGA PERMIT NUMBER: P2800			
THIS DRAWING IS THE CONFIDENTIAL PROPERTY OF THE A/E AND IS LOANED TO THE UNDERPINNERS THAT NOTHING IS TO BE COPIED OR COMMUNICATED TO A THIRD PARTY WITHOUT THE WRITTEN AUTHORIZATION OF THE A/E.			
JOB NUMBER: 12-118		P. ENG. STAMP:	
DOCUMENT NUMBER: DFR-52-PR-PI-0002			

UPDATED: Friday, November 15, 2013 3:12:16 PM BY: Mervan  
 PRINTED: Monday, January 20, 2014 9:17:28 AM DWG NAME: H:\PROJECTS New NOS\Design Drafting\General\DFR\PI-0002-PR-PI-0002 Rev 0.dwg