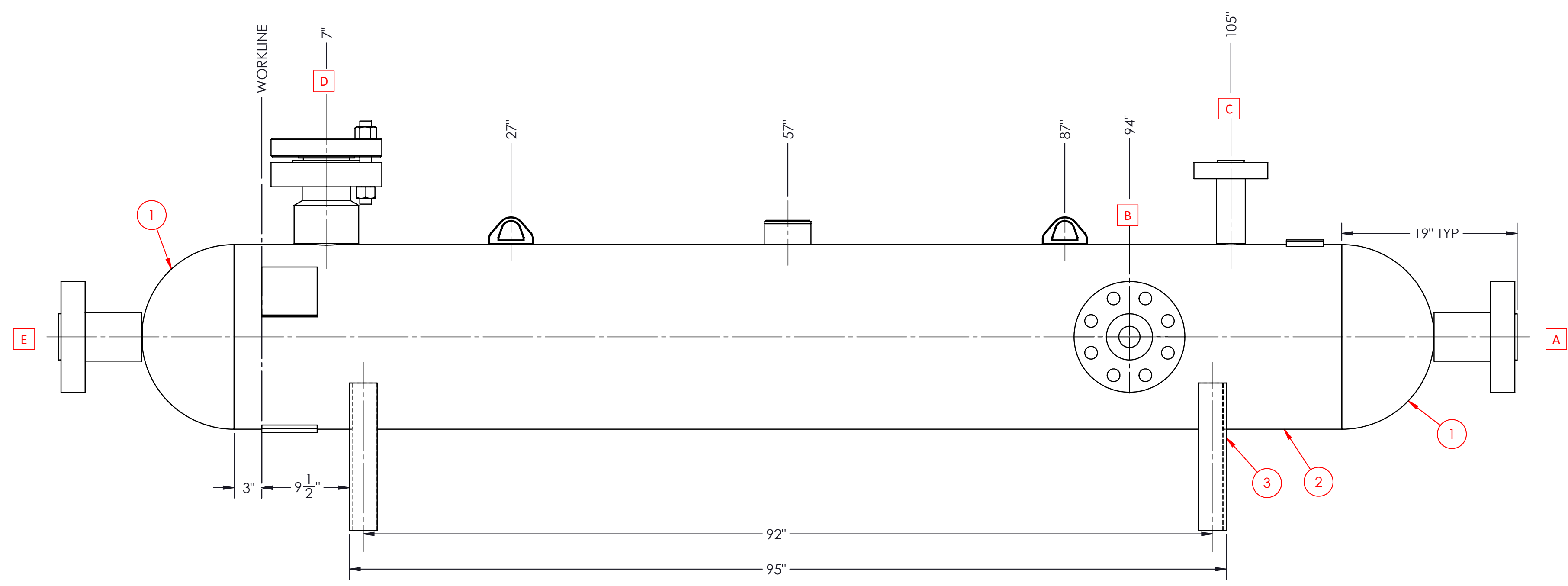
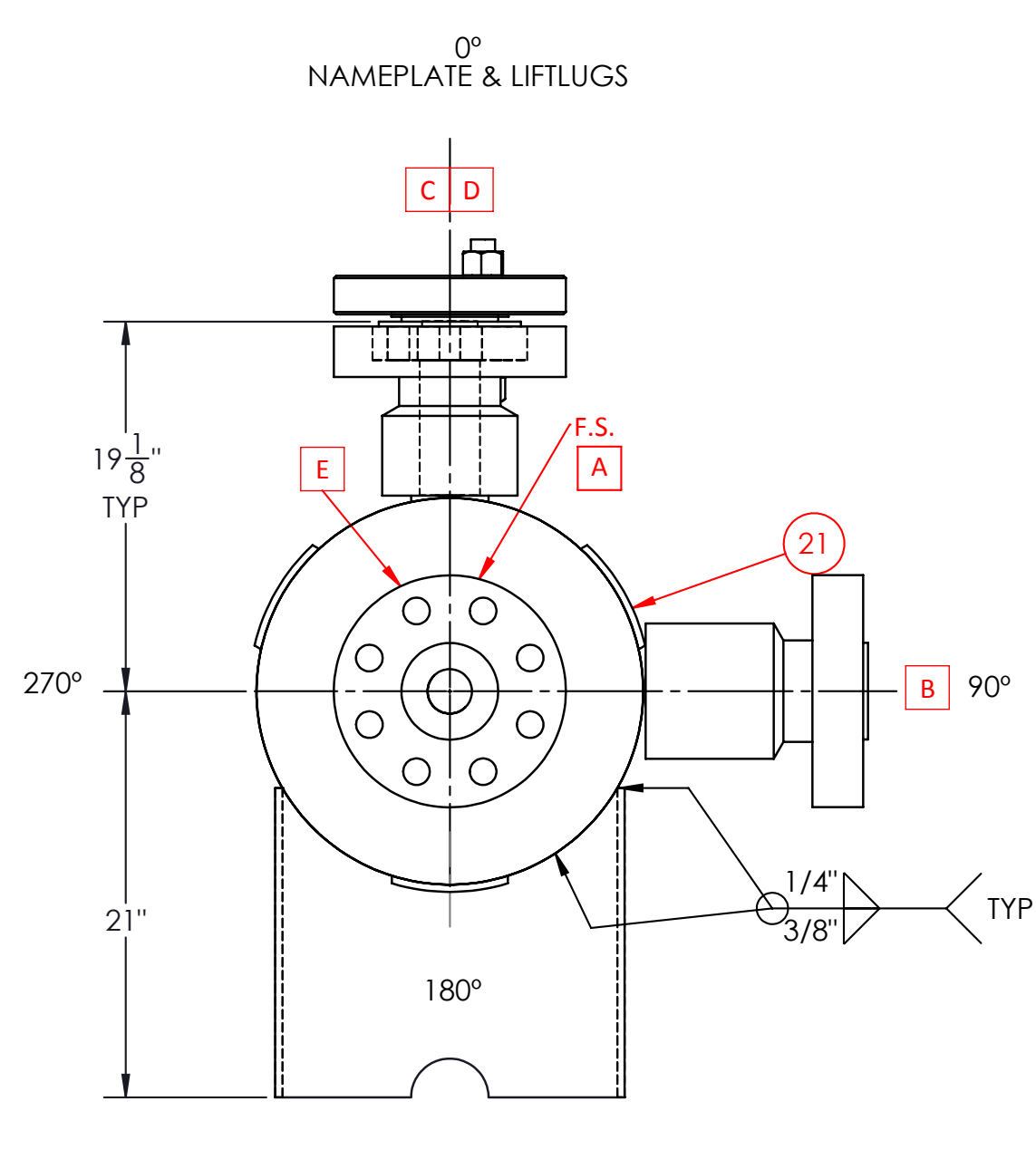


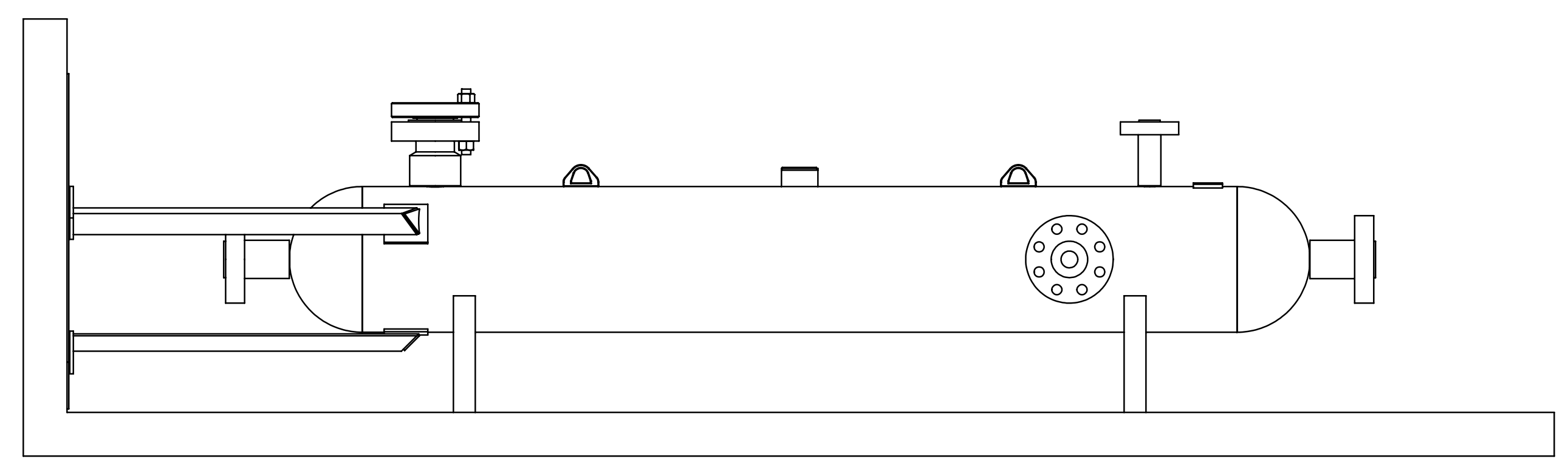
FOR USE BY INTENDED RECIPIENTS ONLY. DOCUMENT MAY CONTAIN CONFIDENTIAL, PRIVILEGED OR PROPRIETARY INFORMATION. ANY USE, DISSEMINATION, DISTRIBUTION OR REPRODUCTION OF THIS DOCUMENT BY UNINTENDED RECIPIENTS IS STRICTLY PROHIBITED.



ELEVATION
VIEW AT 90°
SCALE 1 : 9



ORIENTATION
VIEW FROM WORKLINE
SCALE 1 : 9



SCALE 1 : 16

BILL OF MATERIAL							
ITEM	QTY.	MULTI	UNIT	PART NO.	DESCRIPTION	MATERIAL	MTR (x)
1	2	1.00	EA	HDHEMI-0001	HEAD: 3" NOM. (2.375 DESIGN MIN THK) X 20" O.D. HEMISPHERICAL WITH 25° BEVEL, FORMED TO COMPLY WITH ASME SECTION 8, DIV.1 PARA UG-81	SA-516-70N	X
2	1	10.00	FT	PIPECC-0122	PIPE: SHELL, 20" O.D. X 3" WALL THK SMLS 120" LONG (BBE)	SA-106-CN	X
3	2	2.60	SQFT	PLT36-0003	PLATE: SHIPPING SUPPORT, 16" X 23-3/8" X 3/8" THK	SA-36	X
4	2	1.00	EA	FLGASMEIC-3785	FLANGE: 3" 2500# RTJ LWN X 9" LONG	SA-350-LF2-CL-1	X
5	2	1.00	EA	FLGASMEIC-3796	FLANGE: 3" 2500# RTJ HB X 9" LONG	SA-350-LF2-CL-1	X
6	1	1.00	EA	FLGASMEIC-3795	FLANGE: 2" 2500# RTJ HB X 9" LONG	SA-350-LF2-CL-1	X

REVISION				
REV.	DATE	BY	DESCRIPTION	APPROVED
0	01.19.15	HA	FIRST ISSUE	

INSPECTION/ TESTING	
HYDRO TEST:	15 MIN @ 7150 PSI
PWHT:	1150°F ± 25°F 2HR(S) AND 15 MIN(S)
RT:	RT-1 (100%) ALL BUTTWELDS
HARDNESS:	PER NACE
MT:	SEE NOTES
UT:	SEE NOTES
PT:	NONE
PWT:	YES

DESIGN DATA			
MAWP:	5500	PSIG @	160 °F
MDMT:	-40	°F @	5500 PSIG
MAEWP:	X	PSIG @	X °F
CORROSION ALLOWANCE:			.125 INCHES
ESTIMATED WEIGHT			6800 LBS.
NATIONAL BOARD REGISTRATION:	YES <input checked="" type="checkbox"/>		NO <input type="checkbox"/>
DESIGNED IN ACCORDANCE WITH ASME SECTION VIII, DIVISION 1 2013 EDITION	YES <input checked="" type="checkbox"/>		NO <input type="checkbox"/>
DESIGNED PER NACE MR-0175 2009 EDITION	YES <input checked="" type="checkbox"/>		NO <input type="checkbox"/>

COATING SPECS			
SURFACE PREP	INTERNAL	SSPC-SP3	ANCHOR PATTERN
	EXTERNAL	SSPC-SP6	1-2 MILS
PAINT MFG	TBD		DFT (MILS)
			COLOR
INTERNAL			
PRIMER			
INTERMEDIATE			
FINISH			

CUSTOMER INFO	
CUSTOMER:	SPECIALIZED DESANDERS INC.
P.O. NUMBER:	2015 690
TAG NUMBER:	

SCHEDULE OF OPENINGS																				
ITEM	QTY	SERVICE	SIZE	RATING	TYPE	ASME CODE STOPS AT CAT. B	PIPING			PROJECTION		CONTOUR	WELD			SLIP-ON			WELD DETAIL	BOM ITEM NO.
							BORE	LENGTH	W/T	EXT	INT		a	b	c	d	*	**		
A	1	INLET	3"	2500#	RTJ LWN	NO	3.00"	9.00"	1.13"				3/8"						NW-10	4,24
B	1	OUTLET	3"	2500#	RTJ HB	NO	2.90"	9.00"	2.05"				3/8"						NW-10	5,25
C	1	RELIEF VALVE	2"	2500#	RTJ HB	NO	2"	9.00"	1.59"				3/8"						NW-10	6, 26
D	1	CLEAN OUT	3"	2500#	RTJ HB	NO	2.90"	9.00"	2.05"				3/8"						NW-10	5,13,14,15,16,27
E	1	SAND OUTLET	3"	2500#	RTJ LWN	NO	3.00"	9.00"	1.13"				3/8"						NW-10	4,28

WELD DETAILS		
WPS:	308	GENERAL TOLERANCES
WELD MAPS REQ'D:	NO	
WPS/PQR APPROVAL REQ'D	NO	MACHINING ± 1/32"
		FABRICATION ± 1/8"
		ANGLES ± 1/2°
DESCRIPTION	DETAIL	W
HEAD TO SHELL	CWS-1	
NAMEPLATE BRACKET	NPB-3	
LIFTING LUG	LUG-1	3/8
		SEE SCHEDULE OF OPENINGS FOR REQUIRED WELD SIZES NOT LISTED

NTPV NACE CERTIFIED BY
NORTH TEXAS PRESSURE VESSELS, INC.
301 TRAVIS ST.
MINERAL WELLS, TEXAS 76007
PHONE 940-327-0800

U 5500 PSI AT 160 °F
W -40 °F AT 5500 PSI
HT X PSI AT X °F
MAEWP

SERIAL NO. 0115-SD1 1-5
C.A. 0.125 INCH YEAR BLT. 2015
20 X 120 SAND SHARK
PATENTED

20" X 120" SAND SHARK

SERIAL NO. 0115-SD1 1-5

NORTH TEXAS PRESSURE VESSELS, INC.

301 TRAVIS ST. PHONE: 940.327.0800
MINERAL WELLS, TX 76007 FAX: 940.327.0801
www.ntpv.com

QTY 5 DWG NO. SS-158C 2B LWN REV. 0 SHT. 1 OF 1
MODEL NO. SS-20-120-5500-3F-C-N-CA