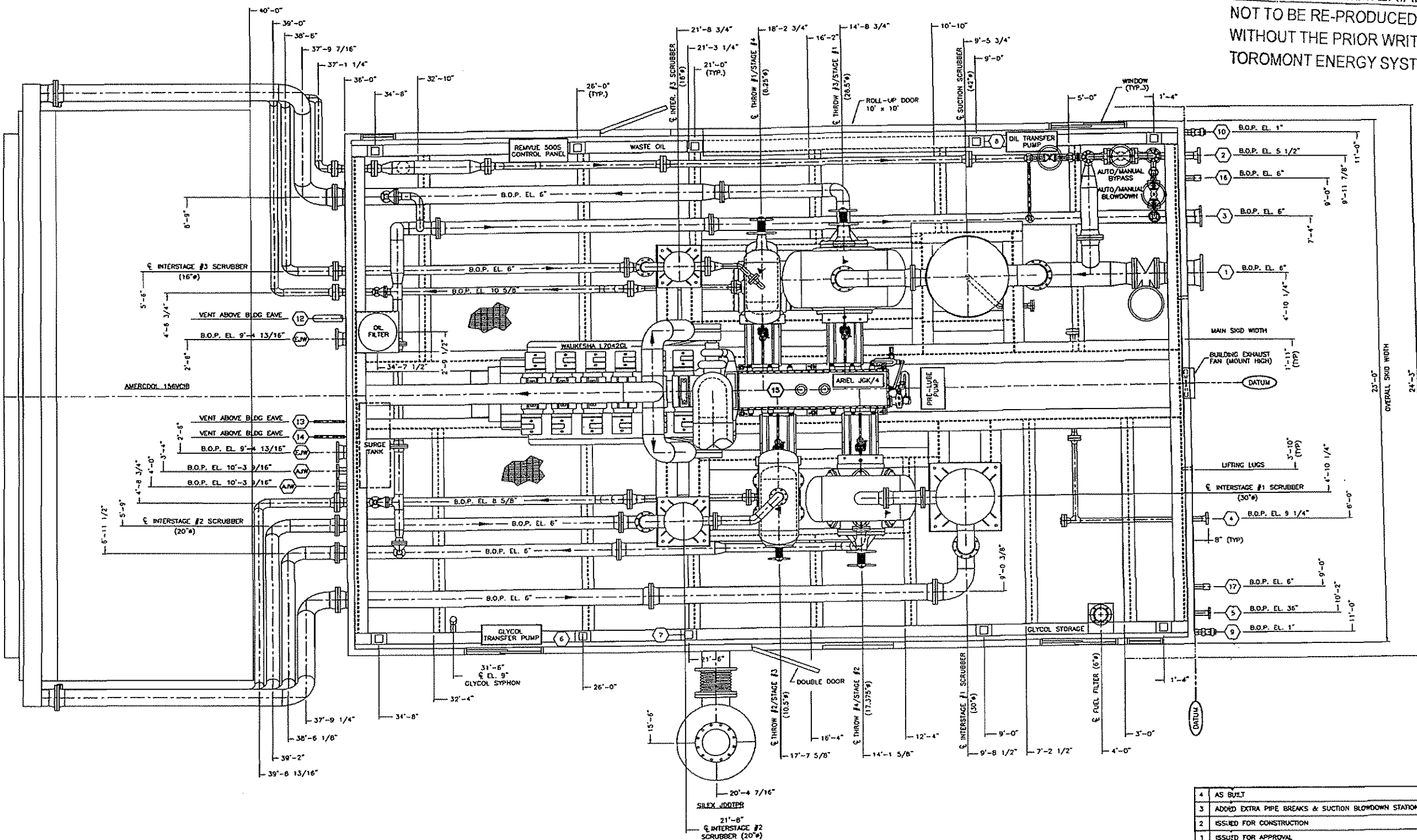


PROPRIETARY MATERIAL
 NOT TO BE RE-PRODUCED OR DISTRIBUTED
 WITHOUT THE PRIOR WRITTEN CONSENT OF
 TOROMONT ENERGY SYSTEMS INC.



GENERAL SPECIFICATIONS	
OVERALL PACKAGE LENGTH (FT)	36'-0"
OVERALL PACKAGE WIDTH (FT)	24'-3"
OVERALL PACKAGE HEIGHT (FT) (LESS STACK)	21'-3 1/2"
OVERALL PACKAGE WEIGHT (LBS)	224200
GLYCOL STORAGE CAPACITY (U.S. GAL.)	520
WASTE OIL STORAGE CAPACITY (U.S. GAL.)	520
SOUR WASTE OIL STORAGE CAPACITY (U.S. GAL.)	N/A
LUBE OIL DAY TANKS	<input type="checkbox"/> 56 U.S. GAL. <input type="checkbox"/> CRANE RAILS YES U.S. GAL.
BRIDGE CRANE	<input type="checkbox"/> YES <input type="checkbox"/> NO <input type="checkbox"/> 2-TON <input type="checkbox"/> 3-TON <input type="checkbox"/> 5-TON
SEAL PAN	<input type="checkbox"/> YES <input type="checkbox"/> NO <input type="checkbox"/> FLAT <input type="checkbox"/> SLOPED
LOADING METHOD	<input type="checkbox"/> JACK & ROLL <input type="checkbox"/> LIVE ROLL <input type="checkbox"/> CRANE
PROCESS GAS	<input type="checkbox"/> SWEET <input type="checkbox"/> SOUR <input type="checkbox"/> ACID GAS PERCENT SOUR

NOTES:
 1. ALL DIMENSIONS TAKEN FROM BOTTOM OF SKID.
 2. ALL OTHER NOTES FOUND ON DWG. #PFLOW.
 3. ALL PACKAGE SPECIFICATIONS DO NOT INCLUDE COOLER.

- | | | | |
|------------------------------|------------------|----------------------------------|------------------------|
| ① INITIAL SUCTION | 12"-150# RFVN | ⑨ GLYCOL TANK DRAIN | 2"-2000# (NPT) |
| ② FINAL DISCHARGE | 3"-600# RFVN | ⑩ WASTE OIL TANK DRAIN | 2"-3000# (NPT) |
| ③ HIGH PRESSURE VENT HEADER | 6"-150# RFVN | ⑪ OIL TRANSFER PUMP STATION FILL | 3/4" RUBBER HOSE |
| ④ SCRUBBER DRAIN HEADER | 2"-600# RFVN | ⑫ LDV PRESSURE STARTER VENT | 3"-PIPE c/w BIRDSCREEN |
| ⑤ FUEL GAS HEADER | 2"-150# RF SCR'D | ⑬ LDV PRESSURE INSTRUMENT VENT | 1"-PIPE c/w BIRDSCREEN |
| ⑥ GLYCOL FILL | 3/4" RUBBER HOSE | ⑭ LDV PRESSURE PUMP VENT HEADER | 1"-PIPE c/w BIRDSCREEN |
| ⑦ CYLINDER OIL FILL | 1"-NPT | ⑮ LOCAL COMPRESSOR OIL FILL | 2"-NPT |
| ⑧ ENGINE/COMPRESSOR OIL FILL | 1"-NPT | ⑯ INSTRUMENT AIR SUPPLY | 2"-NPT |
| | | ⑰ START AIR SUPPLY | 2"-NPT |

No.	REVISION	DATE	BY
4	AS BUILT	05/13/04	LK
3	ADDED EXTRA PIPE BREAKS & SUCTION BLOWDOWN STATION	03/25/04	LK
2	ISSUED FOR CONSTRUCTION	03/18/04	LK
1	ISSUED FOR APPROVAL	02/18/04	LK
0	ISSUED FOR VIBRATION ANALYSIS	02/09/04	LK

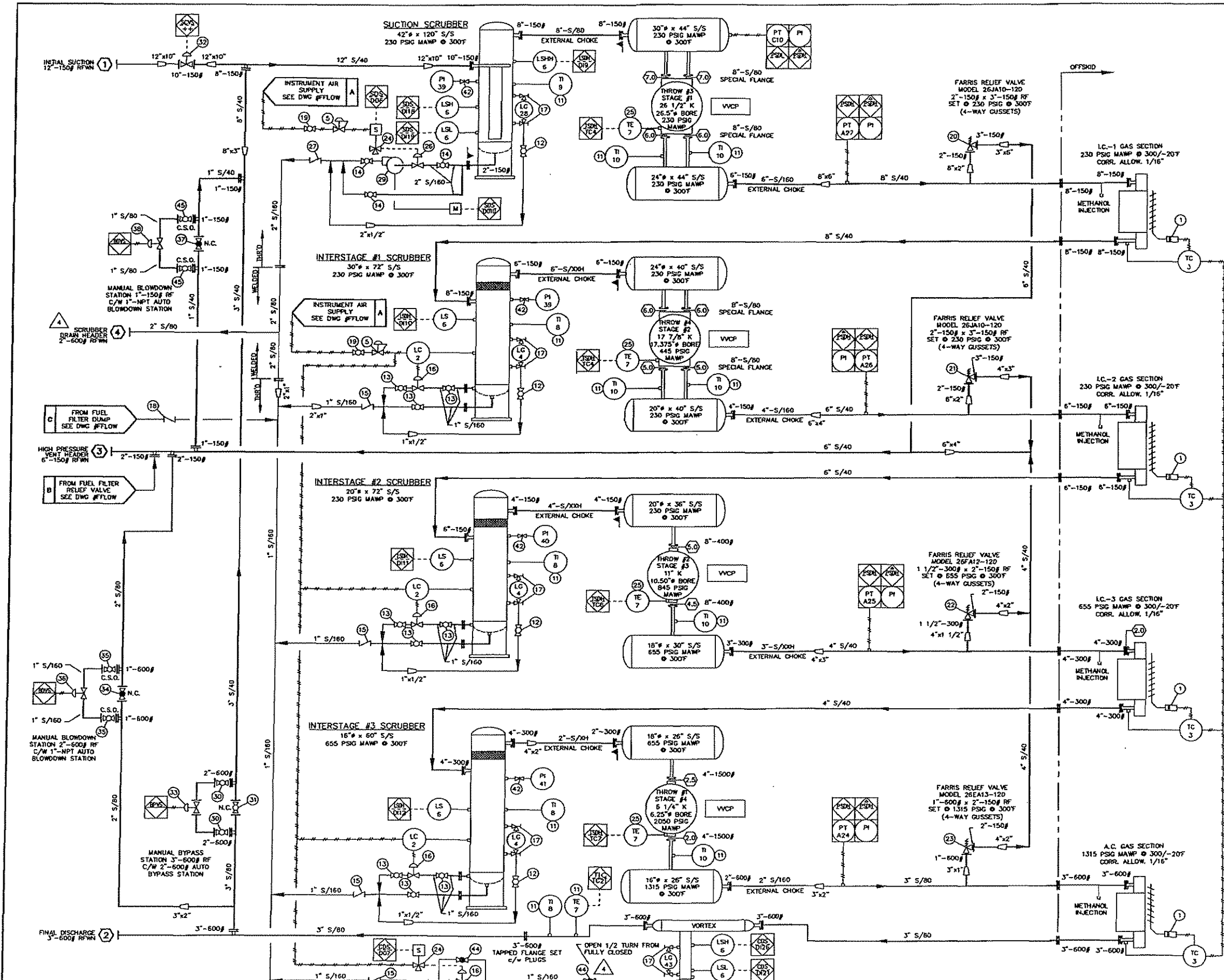
PROPRIETARY MATERIAL: NOT TO BE REPRODUCED OR DISTRIBUTED WITHOUT THE PRIOR WRITTEN CONSENT OF TOROMONT ENERGY SYSTEMS.

TOROMONT ENERGY SYSTEMS 10121 - BARLOW TRAIL N.E. CALGARY ALBERTA CANADA

TITLE: GENERAL ARRANGEMENT WALKERSHA L7042GL / ARIEL JCK/4-4 AMERCOOL 156VCIB
 CUSTOMER: MOV ENERGY INC. c/o: GRB ENGINEERING COMPRESSOR L5D

SCALE: 1/2"=1'-0" DATE: 02/09/04 BY: LK DATE RELEASED: 02/13/04 RELEASED BY: [Signature]
 W.D. # 1134 UNIT # 1134 DRAWING NO.: 1134-GA REV. 4

PROPRIETARY MATERIAL
 NOT TO BE RE-PRODUCED OR DISTRIBUTED
 WITHOUT THE PRIOR WRITTEN CONSENT OF
 TOROMONT ENERGY SYSTEMS INC.



MATERIAL SPECIFICATIONS

- PAINT: COMPRESSOR UNIT VALSPAR #20-7-34 "WARM GRAY"
- PRIMER: COMMERCIAL IRON OXIDE NON-LIFTING PRIMER
- TUBING: PROCESS TUBING - 316SS TYPE "3S" FITTINGS w/ 304SS TUBING (3" FITTINGS - 316SS BODY w/ 35 BACK FERROULE & 35 FRONT FERROULE)
- INSTRUMENTATION TUBING - CARBON PLATED "3" TYPE FITTINGS w/ 304SS TUBING (3" FITTINGS - CARBON STEEL BODY w/ 35 BACK FERROULE & CARBON STEEL FRONT FERROULE)
- PROCESS PIPING: SPOT X-RAY, 1/16" CORROSION ALLOWANCE, SANDBLAST SUCCTION & BOTTLES ONLY
- SCRUBBERS: SPOT X-RAY, 1/16" CORROSION ALLOWANCE, SANDBLAST SUCCTION & BOTTLES ONLY
- COOLER: SPOT X-RAY OF NOZZLE BUTT WELDS, 1/16" CORROSION ALLOWANCE
- OIL: ESSOLUBE QX330 IN ENGINE & COMPRESSOR FRAME
- GLYCOL: METAL FILL OF SOE INJECTED ETHYLENE GLYCOL/WATER SOLUTION
- BILL OF MATERIALS: ON SEPARATE SHEET TO BE PROVIDED WITH DRAWING
- NOTE #1: SPACER PLATES ARE PROVIDED FOR FUTURE INSTALLATION OF ORIFICE PLATES (IF REQUIRED)
- NOTE #2: UNIT COMES COMPLETE WITH 3-TON OVERHEAD BRIDGE CRANE
- NOTE #3: BOLTING ON ALL PROCESS FLANGE CONNECTIONS TO BE SA-183-07 STUDS AND SA-194-21 NUTS, 316SS GASKETS
- NOTE #4: ALL GASKETS ARE 316SS FLEETMETALIC
- NOTE #5: PRESSURE VESSELS TO BE REGISTERED IN ALBERTA ONLY
- NOTE #7: -

GENERAL INFORMATION

- COMPR. FRAME - ARIEL JOK/4-4
- RATED RPM = 1200
- SERIAL NUMBER = F19587
- ENGINE - WALKESHA L7042GL
- RATED 1478 BHP @ 1200 RPM
- SERIAL NUMBER = C-14796/1
- COOLER - AMERCOOL MODEL 156VCB
- SERIAL NUMBER = 156VCB26
- PANEL - REMVUE 500-S
- SERIAL NUMBER = RM10625-AA
- CYL. STAGE #4 THROW #1 - SERIAL NUMBER = C-81842
- CYL. STAGE #3 THROW #2 - SERIAL NUMBER = C-81841
- CYL. STAGE #1 THROW #3 - SERIAL NUMBER = C-81839
- CYL. STAGE #2 THROW #4 - SERIAL NUMBER = C-81840

LEGEND

- PROCESS LINES
- FUEL GAS, START GAS, DRAIN AND VENT LINES
- SUPPLY (CLEAN) OIL LINES
- WASTE OIL LINES
- WATER LINES
- PNEUMATIC TUBING
- ELECTRICAL WIRING
- CAPILLARY LINES
- SPACER
- SPECTICAL BLIND
- ▲ SCREEN (CONE STRAINER)
- PANEL CONNECTION - ELECTRIC
- PANEL CONNECTION - PNEUMATIC
- LOCAL MOUNTED INSTRUMENT
- ORIFICE PLATE

NOTE: SWEET PROCESS GAS

5	AS BUILT	05/13/04	LK
4	REVISED SCRUBBER DRAIN RATING/ADDED METERING VALVE #44	04/21/04	LK
3	ADDED CONTROLS FOR ITEM #28 & ORIFICE PLATES ON ALL CYL'S	03/28/04	LKH
2	ISSUED FOR CONSTRUCTION	03/15/04	LK
1	ISSUED FOR APPROVAL	02/25/04	LK
0	ISSUED FOR VIBRATION ANALYSIS	02/02/04	LK

PROPRIETARY MATERIAL; NOT TO BE REPRODUCED OR DISTRIBUTED WITHOUT THE PRIOR WRITTEN CONSENT OF ENERGY INDUSTRIES INC.

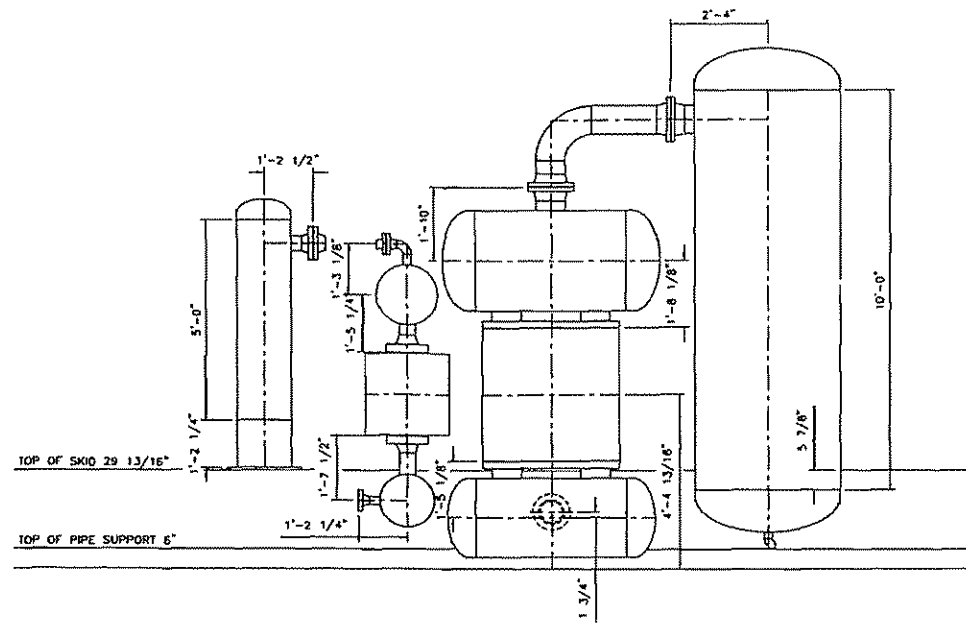
TOROMONT ENERGY SYSTEMS
 10121 - BARLOW TRAIL N.E. CALGARY ALBERTA CANADA

TITLE: PROCESS FLOW DIAGRAM
 WALKESHA L7042GL / ARIEL JOK/4 CLASS AMERCOOL 156VCB

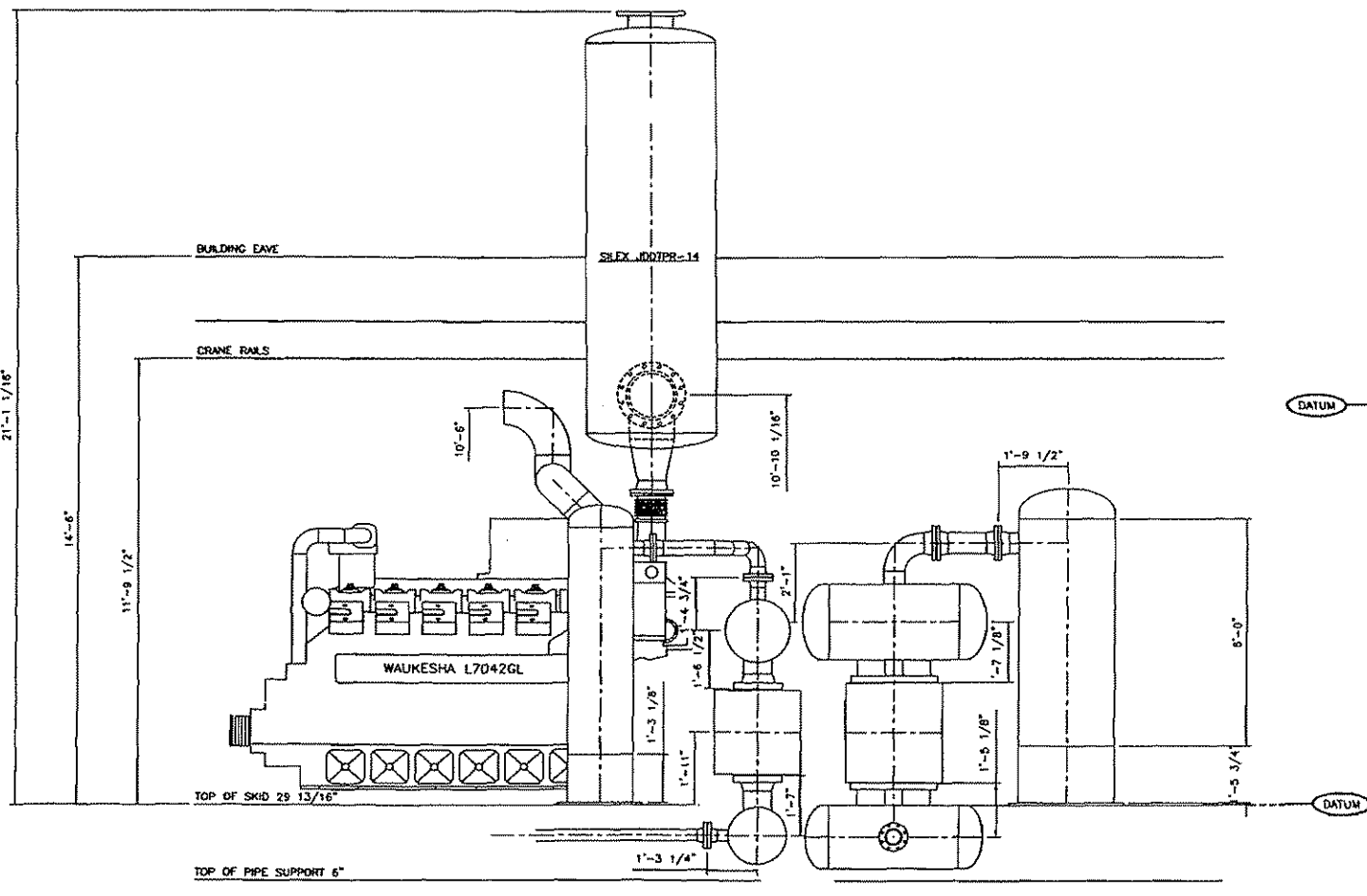
CUSTOMER: MCV ENERGY INC.
 c/o CRB ENGINEERING COMPRESSOR LSD

SCALE: NONE DATE: 02/02/04 BY: LK DATE RELEASED: 02/13/04 RELEASED BY: [Signature]

STEP # 410 UNIT # 1134 DRAWING NO: 1134-PFLOW REV. 5

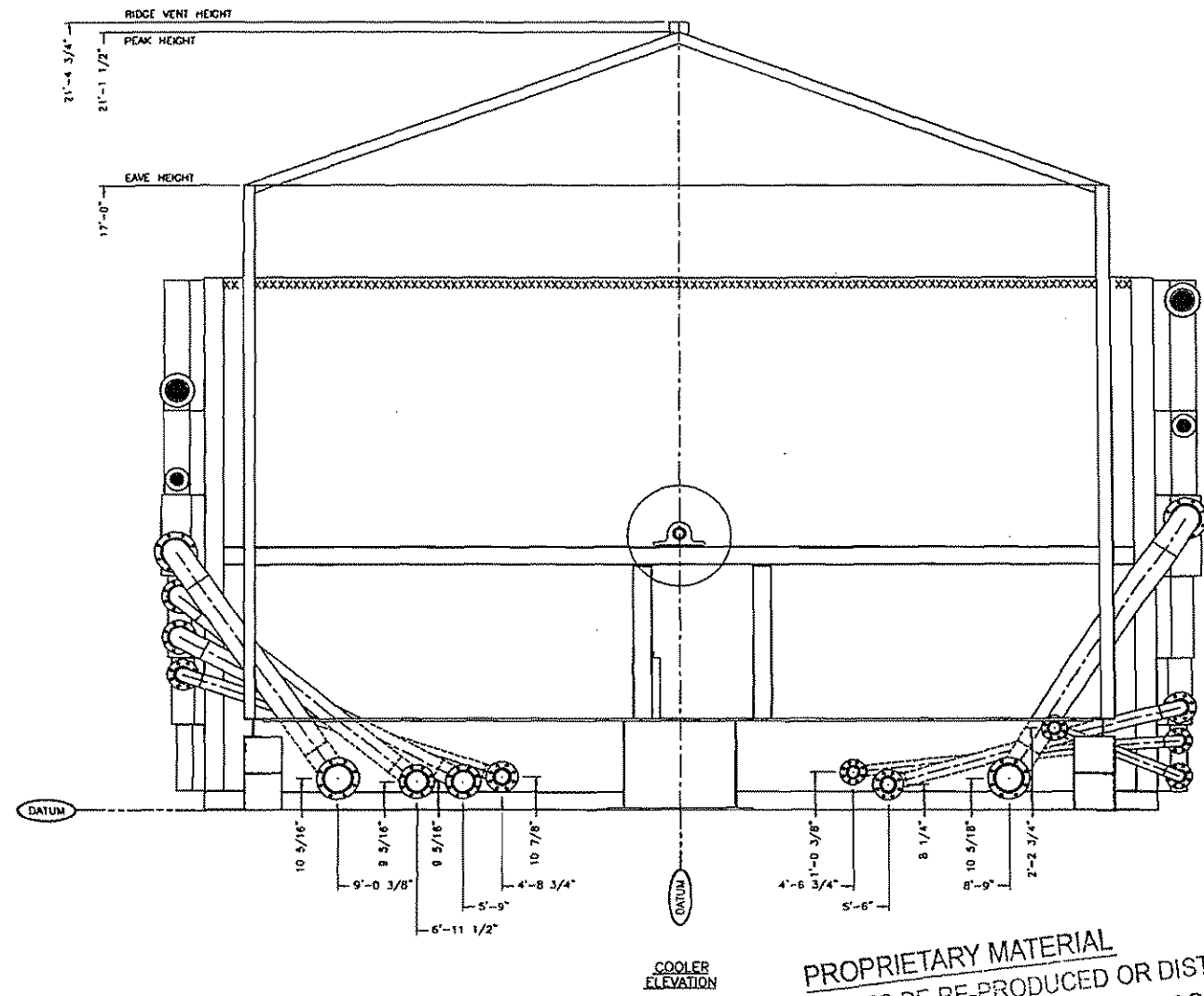


STAGE #1 & #4
ELEVATION



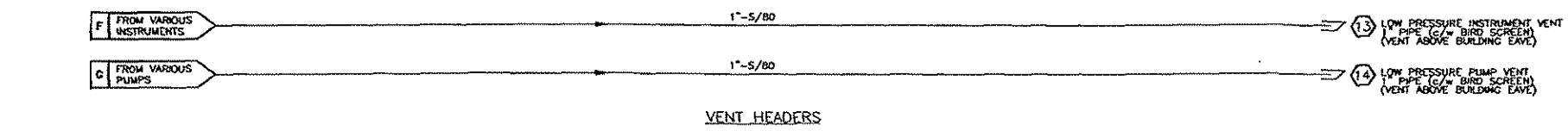
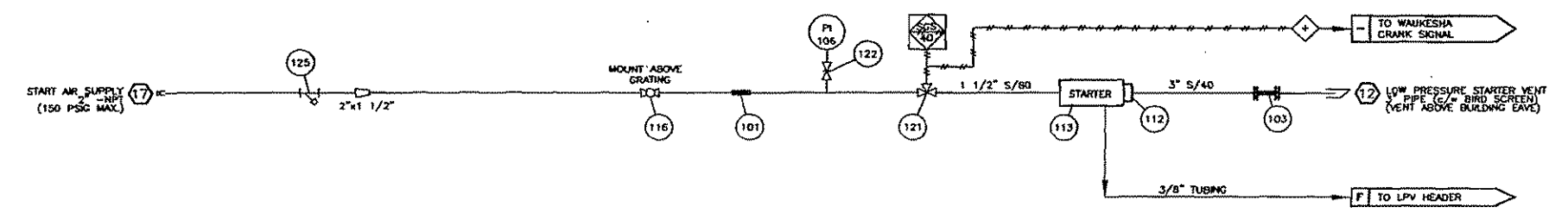
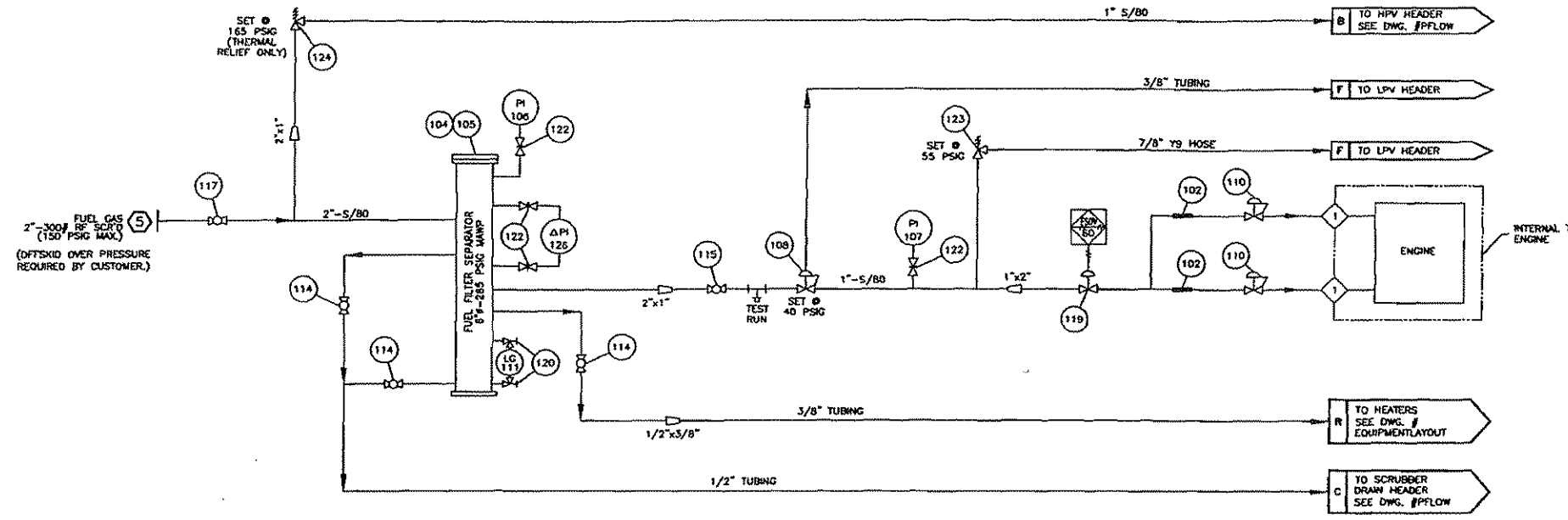
AIR & EXHAUST
ELEVATION

STAGE #2 & #3
ELEVATION



PROPRIETARY MATERIAL
NOT TO BE RE-PRODUCED OR DISTRIBUTED
WITHOUT THE PRIOR WRITTEN CONSENT OF
TOROMONT ENERGY SYSTEMS INC.

D ISSUED FOR CONSTRUCTION		04/07/04	LK
No.	REVISION	DATE	BY
PROPRIETARY MATERIAL: NOT TO BE REPRODUCED OR DISTRIBUTED WITHOUT THE PRIOR WRITTEN CONSENT OF TOROMONT ENERGY SYSTEMS.			
		10121 - BARLOW TRAIL N.E. CALGARY ALBERTA CANADA	
TITLE: ELEVATION WALKESHA L7042GL / ARIEL JCK/4-4 AMERCOOL 155VCB		CUSTOMER: MGV ENERGY INC. c/o: GRB ENGINEERING COMPRESSOR LSU	
SCALE: 1/2"=1'-0"	DATE: 04/07/04	BY: LK	DATE RELEASED: <i>[Signature]</i>
W.O. # 1134	UNIT # 1134	DRAWING NO.: 1134-ELEV	REV. 0

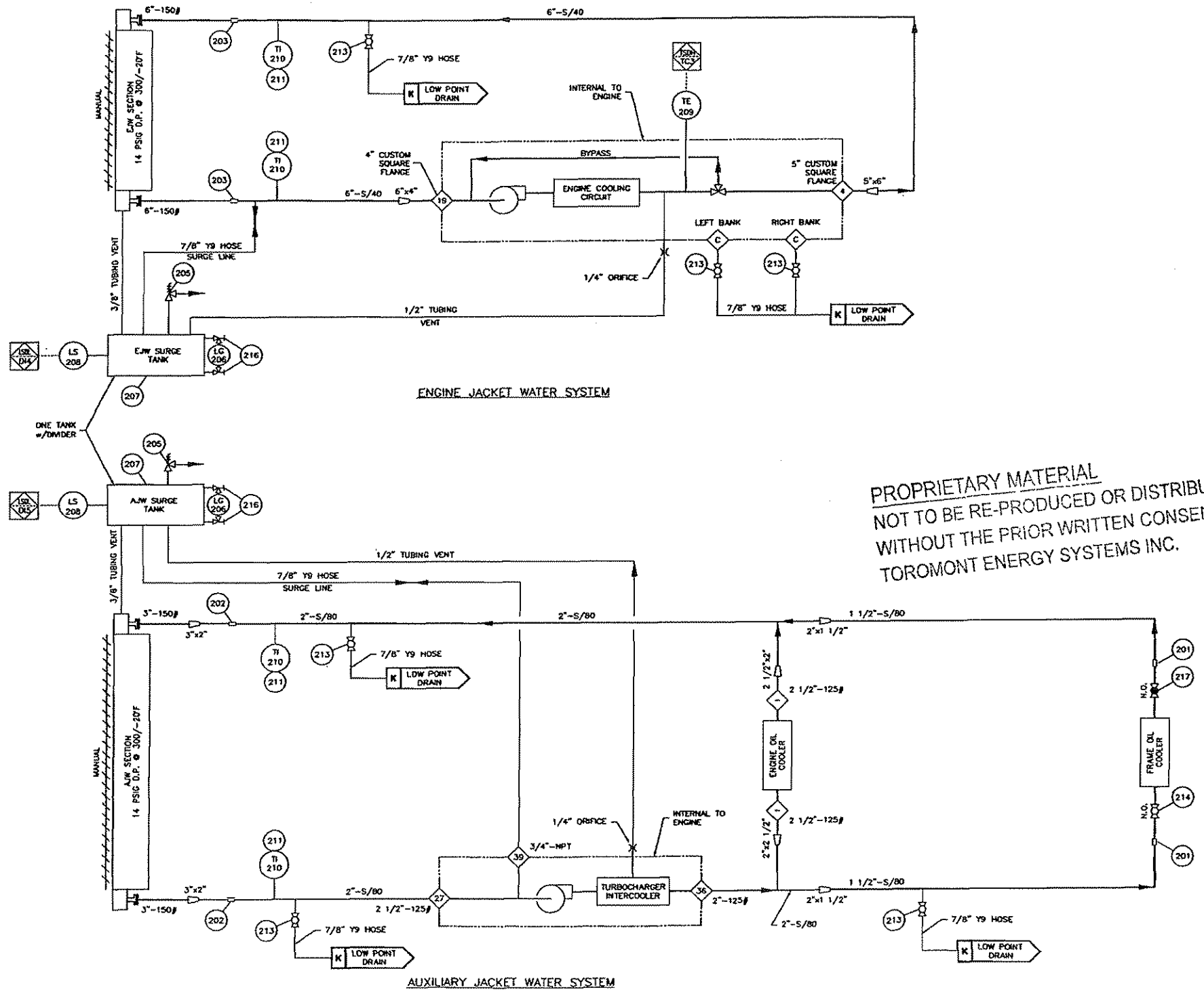


BILL OF MATERIALS			
No.	PART No.	DESCRIPTION	QUANTITY
101	BBA361	CONNECTOR, BRAIDED, MAGD SPAN, MCF 1-1/2-12, 1.5" FNPT, 530 PSIG @ 70°F, 12" LG, 1321 SS HOSE & BRAD, CARBON STEEL FITTINGS	1
102	12C177	CONNECTOR, BRAIDED, MAGD SPAN, MCF 2-12, 2" FNPT, 535 PSIG @ 70°F, 12" LG, 1321 SS HOSE & BRAD, CARBON STEEL FITTINGS	2
103	B8E124	CONNECTOR, BRAIDED, MAGD SPAN, MCF 3-12, 3" 150# RF, 285 PSIG @ 70°F, 12" LG, 1321 SS HOSE & BRAD, CARBON STEEL FITTINGS	1
104	12A720L	FILTER, HOUSING, FUEL, ENERGY INDUSTRIES, 2" FNPT, 6" DIA., 285 PSIG, LEFT HAND, 2" FNPT LC & LS CONNECTIONS	1
105	11A167	FILTER, ELEMENT, FUEL, PECCO, PCH (C/W FILTER)	1
106	10X113	GAUGE, PRESSURE, WKA, 213.53.063, 0.25" MNPT BOTTOM MNT, 0-200 PSIG, MAX 140°F, 2.5" FACE, LIQUID FILLED, DUAL SCALE, SS CASE, BRASS INTERNALS	3
107	B8A728	GAUGE, PRESSURE, WKA, 213.53.063, 0.25" MNPT BOTTOM MNT, 0-60 PSIG, MAX 140°F, 2.5" FACE, LIQUID FILLED, DUAL SCALE, SS CASE, BRASS INTERNALS	1
108	NPN	REGULATOR, PRESSURE, FISHER, R27-498, 1" FNPT, 30-80 PSIG, 750 PSIG INLET, 0.5" TRIM, BLUE SPRING, DUCTILE IRON	1
109	NPN	REGULATOR, PRESSURE, FISHER, R27-498, 1" FNPT, 70-150 PSIG, 750 PSIG INLET, 0.5" TRIM, RED SPRING, DUCTILE IRON	1
110	NPN	REGULATOR, PRESSURE, SCHLUMBERGER (C/W ENGINE)	2
111	B8E057	SIGHT GLASS, REDLINE, PEACOCK, 41100108, 0.625" OD, 330 PSIG @ 100°F, 12" LG	1
112	T100-28012	STARTER, FLANGE, TDI, T100-28012, 3" BW ELBOW	1
113	T112-80001-B1R	STARTER, GAS, TDI, T112-80001-B1R, 2" FNPT INLET, 60-150 PSIG, ALUMINUM	1
114	M22CR-5	VALVE, BALL, MERIDIAN, M22CR-5, 0.5" FNPT, 2000 PSIG @ 150°F, ASTM A216 WCB, NACE MR01-75	3
115	M22CR-1.0	VALVE, BALL, MERIDIAN, M22CR-1.0, 1" FNPT, 2000 PSIG @ 150°F, ASTM A216 WCB, NACE MR01-75	2
116	M22CR-1.5	VALVE, BALL, MERIDIAN, M22CR-1.5, 1.5" FNPT, 2000 PSIG @ 150°F, ASTM A216 WCB, NACE MR01-75	1
117	M22CR-2.0	VALVE, BALL, MERIDIAN, M22CR-2.0, 2" FNPT, 2000 PSIG @ 150°F, ASTM A216 WCB, NACE MR01-75	1
118	B8A829	VALVE, CONTROL, RELAY, FISHER, 119-112, 1" FNPT, 3-15 PSIG, 150 PSIG, MAX 170°F, ASTM A216 WCB	1
119	11A498	VALVE, CONTROL, GLOBE, KHM, 500-211-111, 2" FNPT, 600 PSIG, MAX 180°F, ASTM A395	1
120	1TC	VALVE, GAUGE, DANIEL, 209-01-049C 1TC, 0.5" FNPT X 0.625" TUBE, 150 PSIG, 3600 PSIG @ 250°F 1 SET, CARBON STEEL	1
121	11A7DB	VALVE, CONTROL, RELAY, TDI, RLVA 256S3001201, 1.5" FNPT, 450 PSIG @ 200°F, ALUMINUM	1
122	B8A607	VALVE, NEEDLE, CENTURY, CM2-3-M221-B-V, 0.25" MNPT X 0.25" FNPT, 6000 PSIG @ 100°F	6
123	B8E254	VALVE, RELIEF, FISHER, 1805-13X1, 1" FNPT, 10-60 PSIG, SET AT 55 PSIG, MAX 150°F, CADMIUM SPRING	1
124	13A743-165	VALVE, RELIEF, HYDRO-SEAL, #FRV-00, SET @ 165 PSIG (C/W CRN#)	1
125	B8A171	Y-STRAINER, MATCO, 1405, 2" FNPT, 400 PSI, @ 150°F, CAST IRON	1
126	B8A069	GAUGE, DIFFERENTIAL PRESSURE, 0-15 PSIG LF, MIDWEST MODEL #1205A-10-00, 6000 PSI @ 200°F	1
127	-	-	-
128	-	-	-

PROPRIETARY MATERIAL
NOT TO BE REPRODUCED OR DISTRIBUTED
WITHOUT THE PRIOR WRITTEN CONSENT OF
TOROMONT ENERGY SYSTEMS INC.

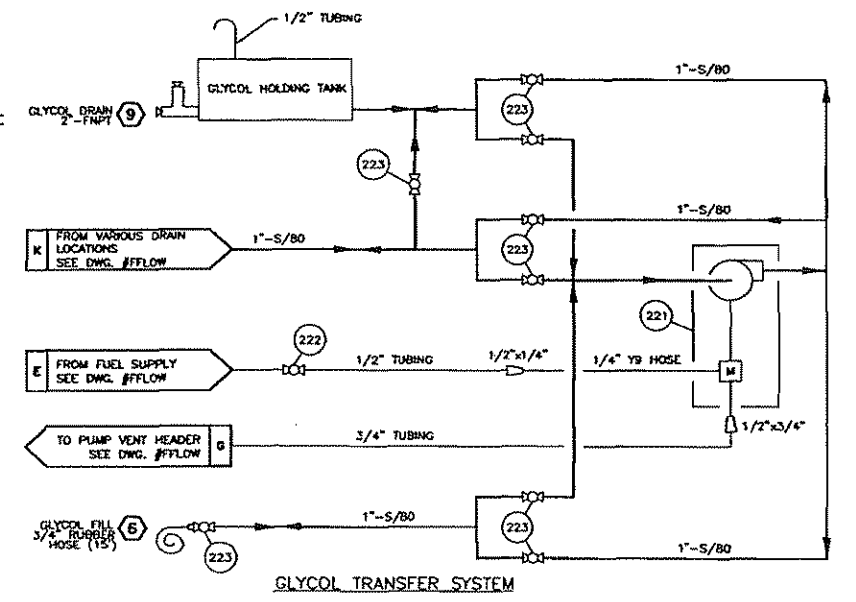
- NOTES:
1. FOR ALL OTHER NOTES & GENERAL INFORMATION SEE DWG. #PFLOW.
 2. ALL TUBING IS 304SS C/W CADMIUM PLATED 'S' TYPE FITTINGS EXCEPT AS NOTED. ('S' FITTINGS - CS BODY W/ SS BACK FERRULE & CS FRONT FERRULE)
 3. SIGNAL TUBING IS 1/4".

2	AS BUILT	05/13/04	LK
1	ISSUED FOR CONSTRUCTION	03/15/04	LK
0	ISSUED FOR APPROVAL	02/18/04	LK
No.	REVISION	DATE	BY
PROPRIETARY MATERIAL: NOT TO BE REPRODUCED OR DISTRIBUTED WITHOUT THE PRIOR WRITTEN CONSENT OF ENERGY INDUSTRIES INC.			
		10121 - BARLOW TRAIL N.E. CALGARY ALBERTA CANADA	
TITLE: FUEL FLOW DIAGRAM WAIKESHA VHP U0420L		CUSTOMER: MCV ENERGY INC. c/w: GRB ENGINEERING COMPRESSOR LSD	
SCALE: NONE	DATE: 02/18/04	BY: LK	DATE RELEASED: 05/13/04
STEP: 510	UNIT: 1134	DRAWING NO.: 1134-PFLOW	REV: 2



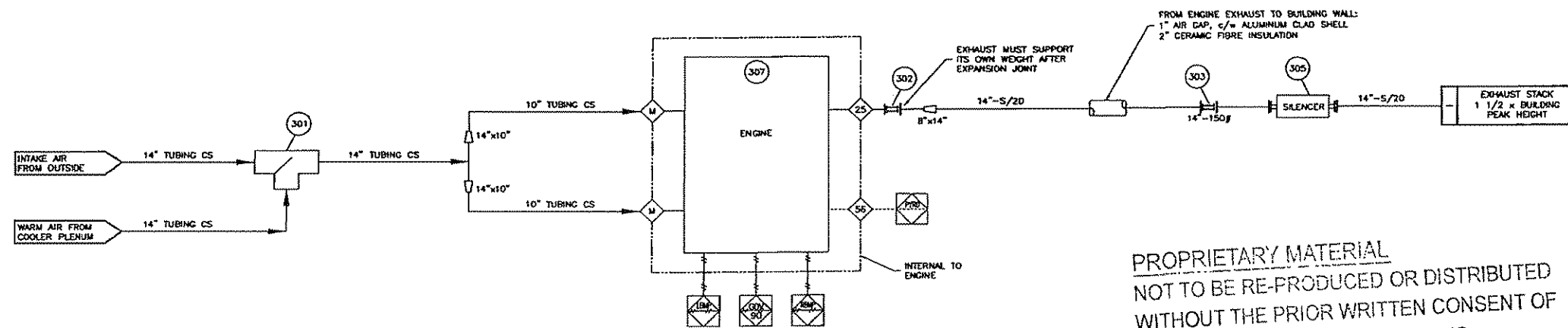
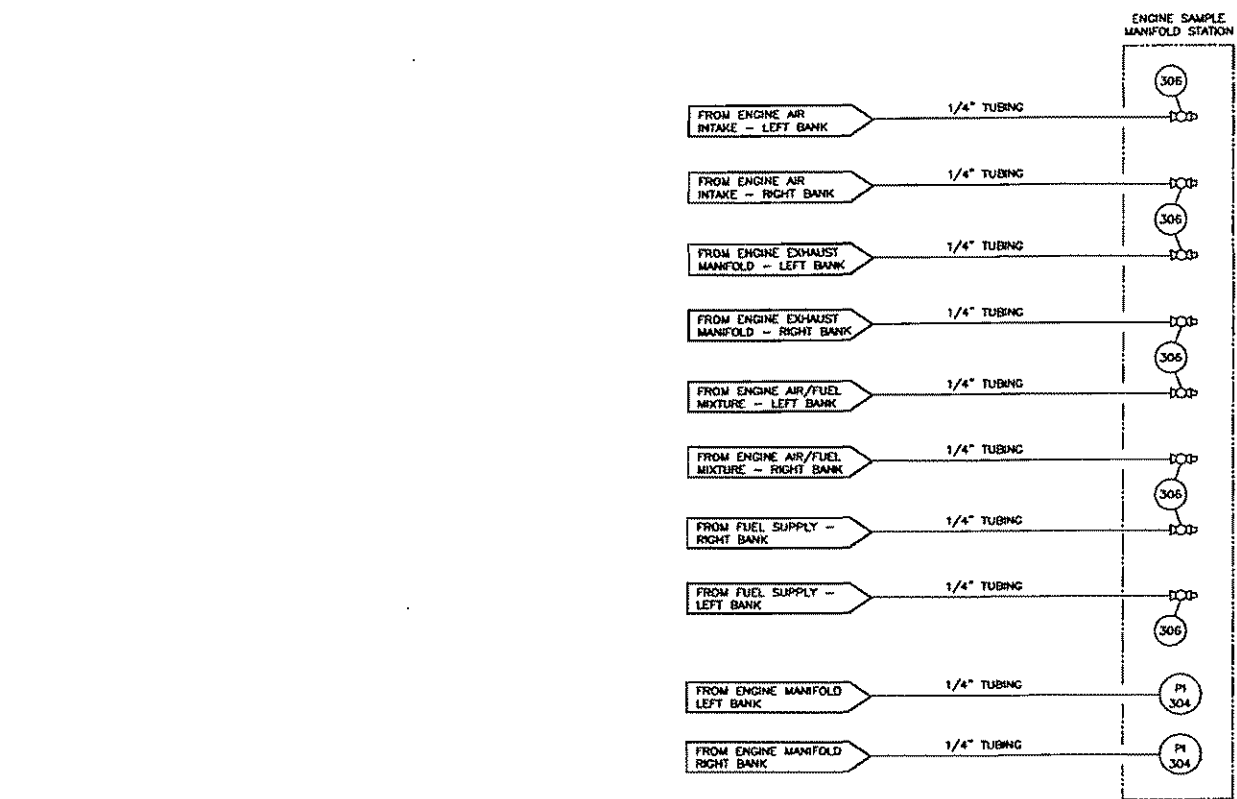
BILL OF MATERIALS			
No.	PART No.	DESCRIPTION	QUANTITY
201	11A306	COUPLING, PIPE, AEROGUIP, NH1600C150B0350, 1.5" PIPE	2
202	0038-0013-011	COUPLING, PIPE, DRESSER, 0038-0013-011, 2" PIPE, 1500 PSIG, MAX 212F, STYLE 38, CARBON STEEL W/ BUNA S GASKET	2
203	0038-0057-011	COUPLING, PIPE, DRESSER, 0038-0057-011, 6" PIPE, 1029 PSIG, 212F, STYLE 38, CARBON STEEL W/ BUNA S GASKET	2
204	12C281	GLYCOL, UCATHERM, 50% ETHYLENE GLYCOL - 50% WATER (SEE STEP #921)	615 L
205	TRC-104	CAP, RADNATOR, STANT, STN-10294, SET AT 15 PSIG	2
206	BSE057	SIGHT GLASS, REDLINE, PEACOCK, 411001108, 0.625" OD, 330 PSIG @ 100 F, 12" LG	2
207	BSE239	SURGE TANK, 16" x 45" LG., DUAL COMPARTMENT (DWG. #ST16X45D REV. 4) (SEE STEP #621)	1
208	11A813	SWITCH, LEVEL, MURPHY, 45-L1200, 2" MNPT, CSA CLASS I DIV I GRP C.D	2
209	NPN	THERMOCOUPLE, TYPE "K" (c/w ENGINE)	1
210	BBA186	THERMOMETER, BK METALLIC, TREND, 33025A006G40, 0.5" MNPT, 0-250F, 3" FACE, 2.50" PROBE, 0.250" OD, DUAL SCALE	4
211	370003	THERMOWELL, 0.5" FNPT X 0.75" MNPT, 2.50" DEPTH, 0.260" BORE, 304 SS	4
212	-	-	-
213	M22CR-1.0	VALVE, BALL, MERIDIAN, M22CR-1.0, 1" FNPT, 2000 PSIG @ 150F, ASTM A216 WCB, NACE MR01-75	6
214	M22CR-1.5	VALVE, BALL, MERIDIAN, M22CR-1.5, 1.5" FNPT, 2000 PSIG @ 150F, ASTM A216 WCB, NACE MR01-75	1
215	-	-	-
216	1TC	VALVE, GAUGE, DANIEL, 209-01-049C 1TC, 0.5" FNPT X 0.625" TUBE, 1 SET, CARBON STEEL	2
217	BSE271	VALVE, GLOBE, NEWCO, 1 1/2" ZBT-FS2, 1.5" FNPT CLASS 800, 2000 PSIG @ 100 F, REG. PORT, ASTM A105	1
218	-	-	-
219	-	-	-
220	-	-	-
TRANSFER PUMP STATION			
221	D73-525	PUMP, PNEUMATIC, DIAPHRAGM, GRACO, D73-525, 1" FNPT, MAX 100 PSIG SUPPLY, ALUMINUM	1
222	M22CR-.5	VALVE, BALL, MERIDIAN, M22CR-.5, 0.5" FNPT, 2000 PSIG @ 150F, ASTM A216 WCB, NACE MR01-75	1
223	M22CR-1.0	VALVE, BALL, MERIDIAN, M22CR-1.0, 1" FNPT, 2000 PSIG @ 150F, ASTM A216 WCB, NACE MR01-75	8
224	-	-	-
225	-	-	-

PROPRIETARY MATERIAL
NOT TO BE RE-PRODUCED OR DISTRIBUTED
WITHOUT THE PRIOR WRITTEN CONSENT OF
TOROMONT ENERGY SYSTEMS INC.



- NOTES:
 1. FOR ALL OTHER NOTES, LEGEND & GENERAL INFORMATION SEE DWG. #PFLOW.
 2. EJW CAPACITY: AJW CAPACITY.
 3. ALL TUBING IS 304SS C/W CADMIUM PLATED 'S' TYPE FITTINGS.
 4. SLOPE ALL VENT LINES UP TO SURGE TANK.

2	AS BUILT	05/13/04	LK
1	ISSUED FOR CONSTRUCTION	03/15/04	LK
0	ISSUED FOR APPROVAL	02/18/04	LK
No.	REVISION	DATE	BY
PROPRIETARY MATERIAL: NOT TO BE REPRODUCED OR DISTRIBUTED WITHOUT THE PRIOR WRITTEN CONSENT OF ENERGY INDUSTRIES INC.			
		10121 - BARLOW TRAIL N.E. CALGARY ALBERTA CANADA	
TITLE: WATER FLOW DIAGRAM WAIKESHA VHP 17042DL		CUSTOMER: MGV ENERGY INC. c/o ORB ENGINEERING COMPRESSOR LSD:	
SCALE: NONE	DATE: 02/18/04	BY: LK	DATE RELEASED: 02/18/04
STEP # 52D	UNIT # 1134	DRAWING NO: 1134-WFLOW	REV. 2



PROPRIETARY MATERIAL
 NOT TO BE RE-PRODUCED OR DISTRIBUTED
 WITHOUT THE PRIOR WRITTEN CONSENT OF
 TOROMONT ENERGY SYSTEMS INC.

BILL OF MATERIALS			
No.	PART No.	DESCRIPTION	QUANTITY
301	11AD16	AIR DIVERTER BOX, ENERGY INDUSTRIES, 14" FF, 18" LG x 16" W x 18" H, SA-36 (SEE STEP #531)	1
302	NPH	EXPANSION JOINT, 8"-150f FF ± CUSTOM WALK CONN., 12" LG., SS (c/w ENGINE)	1
303	NPH	EXPANSION JOINT, MAGIC SPAN, 1415-L-33, 13 3/4" FF, 150 PSIG, 13 3/4" LG, T321 SS BELLOW, CARBON STEEL FITTINGS	1
304	BB4844	GAUGE, PRESSURE, WKA, 213.S3.D63, 0.25" MNPT BOTTOM MNT, -30" Hg - 30 PSIG, MAX 140°F, 2.5" FACE, LIQUID FILLED, DUAL SCALE, SS CASE, BRASS INTERNALS	2
305	NPH	MUFFLER, SILEX, J02PR-14-SI-W-TIS-CS-A, HORIZONTAL PLUS GRAB, SIDE H/D/O OUT, VERTICAL MOUNT, TRUNION SUPPORT	1
306	M115-.25	VALVE, BALL, MERRIAM, M115-.25, 0.25" INPT, 1000 PSIG @ 150°F, ASTM A351CF8M BODY & BALL, 316SS STEM	8
307	NPH	IGNITION, WALKESHA, DEC c/w DSM (c/w ENGINE)	1
308	-	-	-
309	-	-	-
310	-	-	-
311	-	-	-
312	-	-	-
313	-	-	-
314	-	-	-
315	-	-	-
316	-	-	-

ENGINE / PANEL INTERFACE WIRING				
TERM #	CONTROL PANEL J. BOX	TECH CABLE #	ENGINE J. BOX	TERM #
NEG13	POWER RETURN SWITCHED	1	CEC(-24VDC)	J2-9
DCT13	POWER SUPPLY SWITCHED	2	CEC(+24VDC)	J1-10
NEG11	POWER RETURN	3	DSM(-24VDC)	J2-2
DCT11	POWER SUPPLY	4	DSM(+24VDC)	J4-19
DCT12	DSM INPUT	5	DSM SHUTDOWN	J4-2
	SPARE	6	SPARE	
TC9	CYL #1-L	-	CYL #1-L	-
TC10	CYL #2-L	-	CYL #2-L	-
TC11	CYL #3-L	-	CYL #3-L	-
TC12	CYL #4-L	-	CYL #4-L	-
TC13	CYL #5-L	-	CYL #5-L	-
TC14	CYL #6-L	-	CYL #6-L	-
-	PRETURBO-L	-	PRETURBO-L	-
-	MANIFOLD-L	-	MANIFOLD-L	-
TC15	CYL #1-R	-	CYL #1-R	-
TC16	CYL #2-R	-	CYL #2-R	-
TC17	CYL #3-R	-	CYL #3-R	-
TC18	CYL #4-R	-	CYL #4-R	-
TC19	CYL #5-R	-	CYL #5-R	-
TC20	CYL #6-R	-	CYL #6-R	-
-	PRETURBO-R	-	PRETURBO-R	-
-	MANIFOLD-R	-	MANIFOLD-R	-
TC2	LUBE OIL TEMP	-	LUBE OIL TEMP	-
TC3	E/W TEMP	-	E/W TEMP	-

- NOTES:
- FOR ALL OTHER NOTES & GENERAL INFORMATION SEE DWG. #PFLOW.
 - ALL TUBING IS 304SS c/w CADMIUM PLATED 'S' TYPE FITTINGS, EXCEPT AS NOTED. ('S' FITTINGS - CS BODY w/ SS BACK FERRULE & CS FRONT FERRULE)
 - SIGNAL TUBING IS 1/4".

No.	REVISION	DATE	BY
2	AS BUILT	05/13/04	LK
1	ISSUED FOR CONSTRUCTION	03/15/04	LK
0	ISSUED FOR APPROVAL	02/18/04	LK

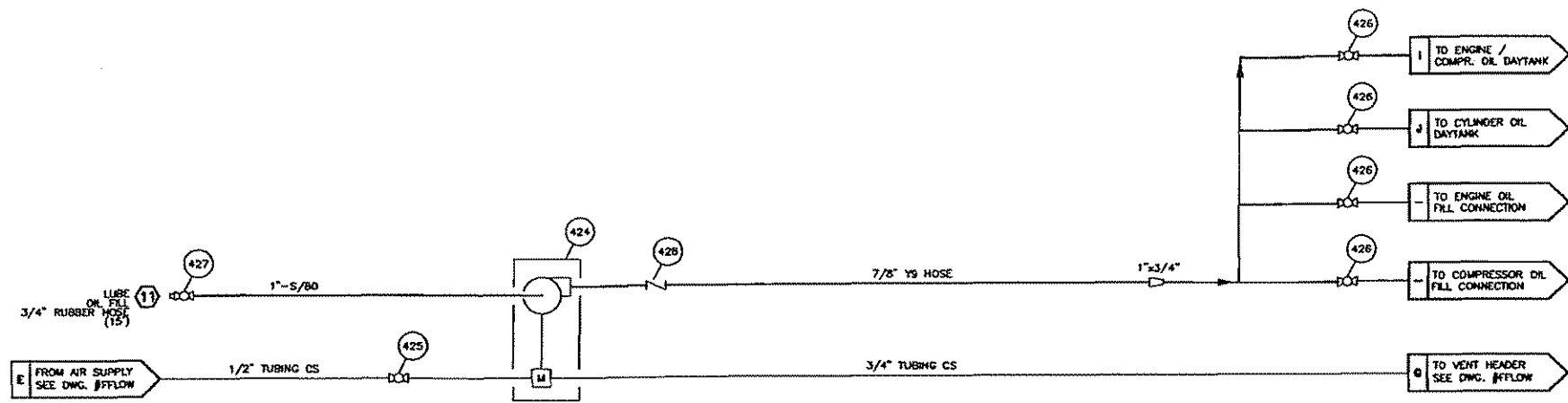
PROPRIETARY MATERIAL: NOT TO BE REPRODUCED OR DISTRIBUTED WITHOUT THE PRIOR WRITTEN CONSENT OF ENERGY INDUSTRIES INC.

TOROMONT ENERGY SYSTEMS 10121 - BARLOW TRAIL N.E. CALGARY ALBERTA CANADA

CUSTOMER: MSV ENERGY INC. c/o GRB ENGINEERING COMPRESSOR LSD.

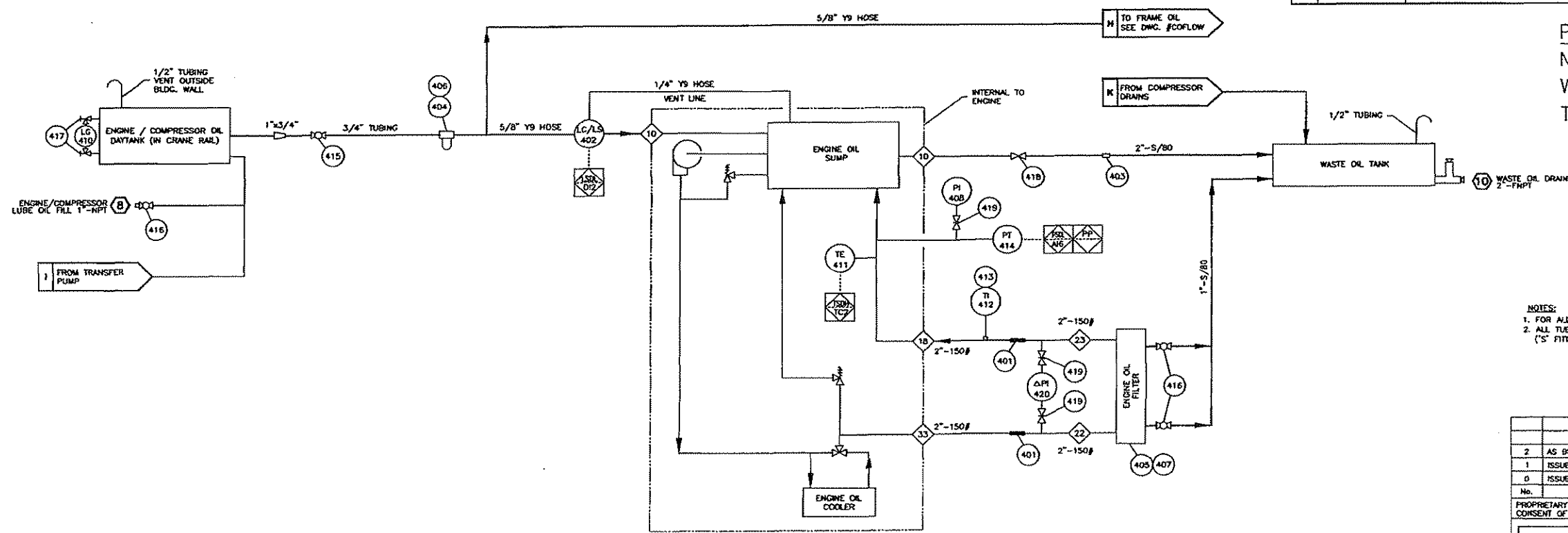
SCALE: NONE DATE: 02/18/04 BY: LK DATE RELEASED: 02/18/04 RELEASED BY: [Signature]

STEP 530 UNIT 1134 DRAWING NO: 1134-AEFLOW REV. 2



FRESH OIL TRANSFER PUMP

BILL OF MATERIALS			
No.	PART No.	DESCRIPTION	QUANTITY
401	12C177	CONNECTOR, BRAIDED, MAGIC SPAN, MCX 2-12, 2" FNPT, 535 PSIG @ 70°F, 12" LG, 1321 SS HOSE & BRAID, CARBON STEEL FITTINGS	2
402	LCM-12	CONTROLLER, LEVEL, KENDO, LCM-12, 0.5" FNPT, 6.5 PSIG @, MAX 180°F, 0.5" POST MOUNT, ALUMINUM, CSA CLASS II, TYPE 4	1
403	11A315	COUPLING, PIPE, AEROGURP, NH1600C200B0400, 2" PIPE	1
404	405-047	FILTER, HOUSING, OIL, GEMIN, 0.75" FNPT, c/w ELEMENT	1
405	NPH	FILTER, ASSEMBLY, AE167600N, OIL (c/w ENGINE)	1
406	BT251	FILTER, ELEMENT, OIL, BALDWIN, BT251, SPIN ON	1
407	NPH	FILTER, ELEMENT, OIL (c/w ENGINE) 168660B	7
408	10X113	GAUGE, PRESSURE, WKA, 213.53.063, 0.25" MNPT BOTTOM MNT, 0-200 PSIG, MAX 140°F, 2.5" FACE, LIQUID FILLED, DUAL SCALE, SS CASE, BRASS INTERNALS	1
409	884852	OIL, LUBE, ESSO, ESSOLUBE CLX-30 (SEE STEP #921)	615 L
410	88E057	SIGHT GLASS, REDLINE, PEACOCK, 411001108, 0.625" OD, 330 PSIG @ 100°F, 12" LG	1
411	NPH	THERMOCOUPLE, K TYPE (c/w ENGINE)	1
412	88A186	THERMOMETER, IN METALUC, TREND, 33025A006G40, 0.5" MNPT, 0-250°F, 3" FACE, 2.50" PROBE, 0.250" OD, DUAL SCALE	1
413	37D003	THERMOWELL, 0.5" FNPT X 0.75" MNPT, 2.50" DEPTH, 0.280" BORE, 304SS	1
414	11A205	TRANSMITTER, PRESSURE, WKA, B3213.500/160, 0.25" MNPT, 0-160 PSIG, MAX 212°F, 316SS WETTED PARTS, CSA CLASS 1 DIV 1.5/DIV II N.L., 4-20 mA SIGNAL (c/w PANEL)	1
415	M22CR-.75	VALVE, BALL, MERIDIAN, M22CR-.75, 0.75" FNPT, 2000 PSIG @ 150°F, ASTM A216 WCB, NACE MR01-75	1
416	M22CR-1.0	VALVE, BALL, MERIDIAN, M22CR-1.0, 1" FNPT, 2000 PSIG @ 150°F, ASTM A216 WCB, NACE MR01-75	3
417	1TC	VALVE, GAUGE, DANIEL, 209-01-049C 1TC, 0.5" FNPT X 0.625" TUBE, 3600 PSIG @ 250°F, 1 SET CARBON STEEL	1
418	88E400	VALVE, GATE, BONNEYFORGE, H.108-11, 2" FNPT CLASS 800, 800 PSIG @ 850°F, REG. PORT, ASTM A105	1
419	88A607	VALVE, NEEDLE, CENTURY, CM2-3-M22T-B-V, 0.25" MNPT X 0.25" FNPT, 6000 PSIG @ 150°F, ASTM A106	3
420	88A069	GAUGE, DIFFERENTIAL PRESSURE, 0-15 PSIG, LF MD-WEST MODEL #1205A-10-00, 6000 PSI @ 200°F	1
421	-	-	-
422	-	-	-
423	-	-	-
TRANSFER PUMP STATION			
424	D73-525	PUMP, PNEUMATIC, DIAPHRAGM, GRACO, D73-525, 1" FNPT, MAX 100 PSIG SUPPLY, ALUMINUM	1
425	M22CR-.5	VALVE, BALL, MERIDIAN, M22CR-.5, 0.5" FNPT, 2000 PSIG @ 150°F, ASTM A216 WCB, NACE MR01-75	1
426	M22CR-.75	VALVE, BALL, MERIDIAN, M22CR-.75, 3/4" FNPT, 2000 PSIG @ 150°F, ASTM A216 WCB, NACE MR01-75	4
427	M22CR-1.0	VALVE, BALL, MERIDIAN, M22CR-1.0, 1" FNPT, 2000 PSIG @ 150°F, ASTM A216 WCB, NACE MR01-75	1
428	88A306	VALVE, CHECK, SWING, WHEATLEY, 020-013127-131, 1.0" FNPT, 290 PSIG, ASTM A216 WCC OR LCC, NACE, MR01-75	1



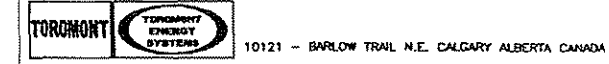
ENGINE LUBE OIL SYSTEM

PROPRIETARY MATERIAL
NOT TO BE RE-PRODUCED OR DISTRIBUTED
WITHOUT THE PRIOR WRITTEN CONSENT OF
TOROMONT ENERGY SYSTEMS INC.

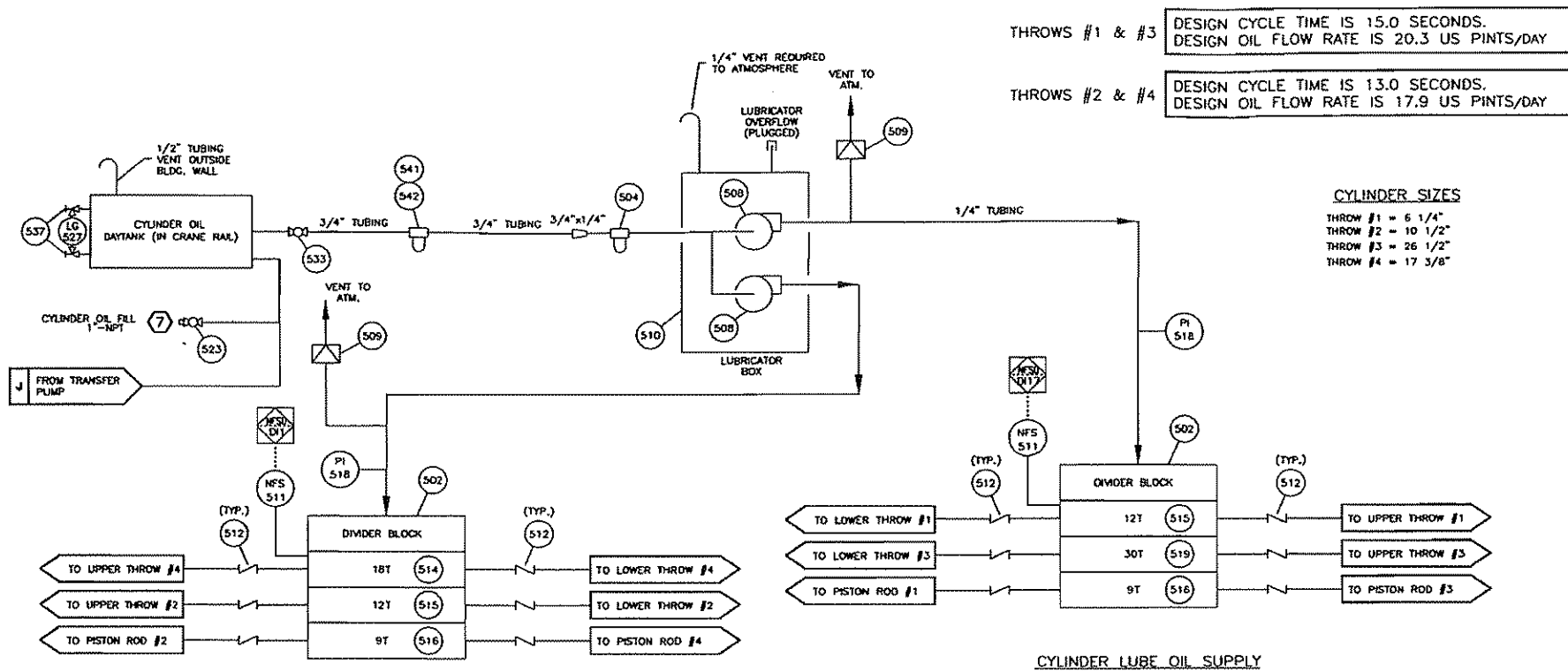
- NOTES:
1. FOR ALL OTHER NOTES & GENERAL INFORMATION SEE DWG. #FFLOW.
2. ALL TUBING IS 304SS c/w CADMIUM PLATED 'S' TYPE FITTINGS EXCEPT AS NOTED.
(*S' FITTINGS - CS BODY w/ SS BACK FERRULE & CS FRONT FERRULE)

No.	REVISION	DATE	BY
2	AS BUILT	05/13/04	LK
1	ISSUED FOR CONSTRUCTION	03/15/04	LK
0	ISSUED FOR APPROVAL	02/18/04	LK

PROPRIETARY MATERIAL: NOT TO BE REPRODUCED OR DISTRIBUTED WITHOUT THE PRIOR WRITTEN CONSENT OF ENERGY INDUSTRIES INC.



10121 - BARLOW TRAIL N.E. CALGARY ALBERTA CANADA	
TITLE: ENGINE OIL FLOW DIAGRAM WAKUESHA VHP L7042GL	CUSTOMER: MGV ENERGY INC. c/o GRB ENGINEERING COMPRESSOR LSD:
SCALE: NONE	DATE: 02/18/04
STEP # 540	UNIT # 1134
DATE RELEASED: 05/13/04	RELEASED BY: [Signature]
DRAWING NO.: 1134-EFLOW	REV. 2



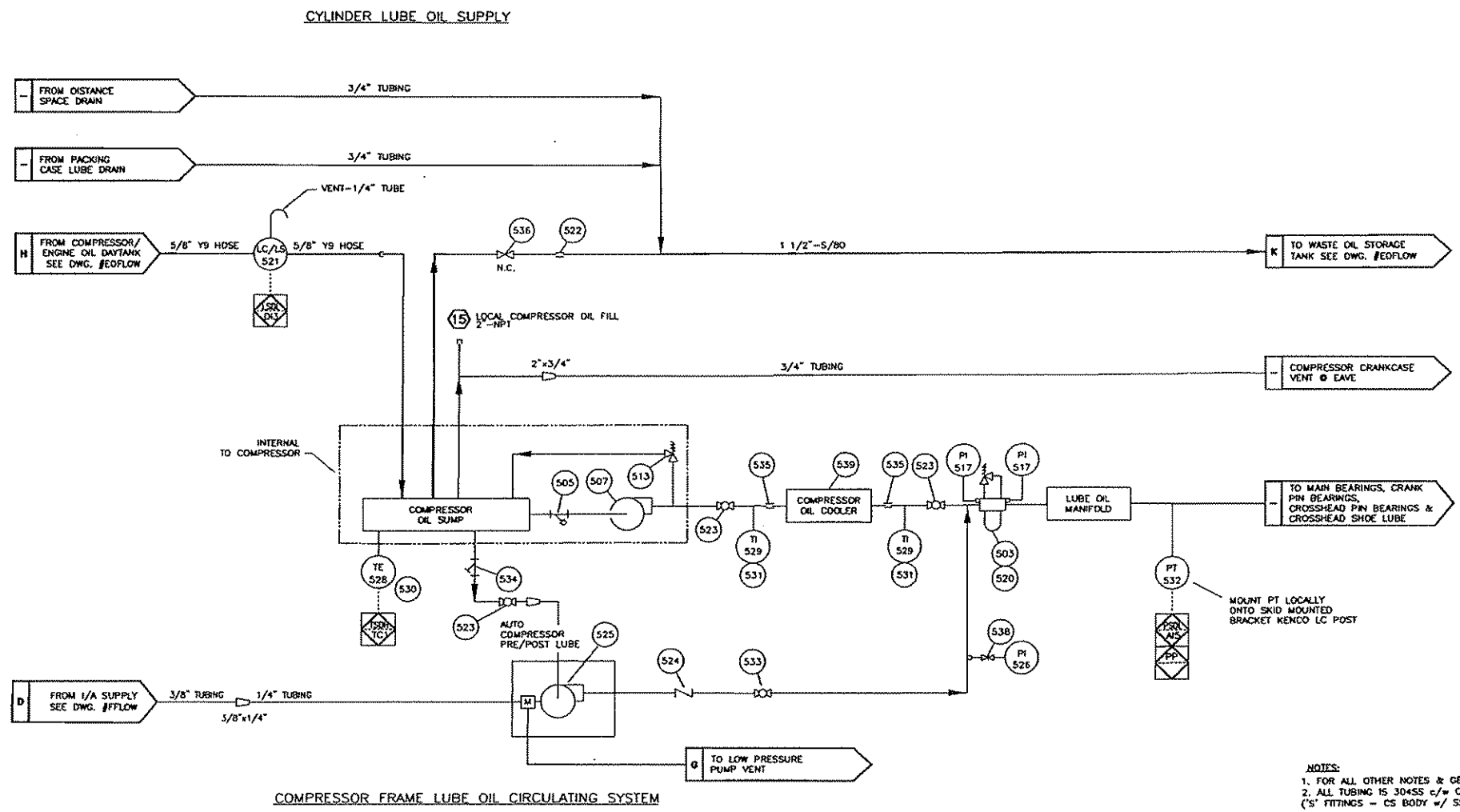
BILL OF MATERIALS c/w FRAME

No.	PART No.	DESCRIPTION	QUANTITY
501	-	-	-
502	A-5505	DIVIDER BASE BLOCK, LUBRICATION SYSTEMS SB SERIES HP DIVIDER	2
503	D-0744	FILTER, HOUSING, OIL, ARIEL, 1.5" FNPT, 25 MICRON	1
504	A-8723	FILTER, INLINE, 0.25" FNPT, 150 MICRON	1
505	NPN	WYE STRAINER, 1.5" NPT	1
506	-	-	-
507	D-0752	PUMP, JGK/4	1
508	A-9477	PUMP, PLUNGER, PREMIER, 0.25" PLUNGER	2
509	A-0124	RUPTURE DISK, PURPLE, 3250 PSIG	2
510	NPN	LUBRICATOR, TANK ASSEMBLY w/o PUMP	1
511	NPN	SWITCH, NO-FLOW, ARIEL DIGITAL, FITS TRABON LUBE BLOCKS, CLASS 1, DIV 1, GRP B,C,D	2
512	880511	VALVE, CHECK, BALL, PREMIER, 90024, 0.25" NPT	12
513	A-5219	VALVE, RELIEF, INTERNAL OIL	1
514	NPN	VALVE, DIVIDER, TRABON, 18T	1
515	NPN	VALVE, DIVIDER, TRABON, 12T	2
516	NPN	VALVE, DIVIDER, TRABON, 9T	2
517	A-0261	GAUGE, PRESSURE, ASHCROFT, 0.25" NPT, BOTTOM MOUNT	2
518	NPN	GAUGE, PRESSURE, ASHCROFT, 0.25" NPT, BACK MOUNT	2
519	NPN	VALVE, DIVIDER, TRABON, 30T	1
520	A-0661	FILTER, ELEMENT, OIL	3

BILL OF MATERIALS SUPPLIED BY E.I.

No.	PART No.	DESCRIPTION	QUANTITY
521	LCM-12	CONTROLLER, LEVEL, KENCO, LCM-12, 0.5" FNPT, 6.5 PSIG MWPT, MAX 180F, 0.5" POST MOUNT, ALUMINUM, CSA CLASS III TYPE 4	1
522	11A306	COUPLING, PIPE, AERQUIP, NH00C150B0350, 1.5" PIPE C.S.	1
523	M22CR-1.0	VALVE, BALL, MERIDIAN 1" M22CR, 2M -C.S.	4
524	BBA112	VALVE, SWING CHECK, WHEATLEY, 0.75" NPT, 2160# C.S.	1
525	241-906	PUMP, PNEUMATIC, DIAPHRAGM, GRACO, 241-906, .75" FNPT	1
526	10X113	GAUGE, PRESSURE, WKA, 213.53.063, 0.25" MNPT BTOM MNT, 0-200 PSIG, MAX 140F, 2.5" FACE, LIQUID FILLED, DUAL SCALE, SS CASE, BRASS INTERNALS	1
527	B8E057	SIGHT GLASS, REDLINE, PEACOCK, #11001108, 0.625" OD, 330 PSIG @ 100F, 12" LG	1
528	TKC-K-250-40	THERMOCOUPLE, K TYPE, THERMODYNAMICS, 6" PROBE, 40' CAPILLARY	1
529	NPN	THERMOMETER, BI METALLIC, TRENDS, 0.5" MNPT, -20-120C, 3" FACE, 2.50" PROBE, 0.250" OD	2
530	12C151	THERMOWELL, 1212025304, 0.5" FNPT X 0.5" MNPT, 2.50" DEPTH, 0.260" BORE, 304 SS	1
531	B8E012	THERMOWELL, 1210025304, 0.5" FNPT X 1" MNPT, 2.50" DEPTH, 0.260" BORE, 304 SS	2
532	NPN	TRANSMITTER, PRESSURE, BOURDON, YS13057H22, 0.25" MNPT, 0-160 PSIG, MAX 158F, 316SS WETTED PARTS, CSA CLASS 1 DIV 1 I.S./DIV 1 H.I. (c/w PANEL)	1
533	M22CR-75	VALVE, BALL, MERIDIAN 3/4" M22CR, 2M	2
534	12A226	MATCO Y-STRAINER, MOD# 140504, 1" NPT, CAST IRON, 20 MESH 400 PSIG @ 150F	1
535	11A683	COUPLING, AERQUIP, 1"-PIPE C.S.	2
536	BA249	VALVE, GATE, BOHNICYORGE, H.107-17, 1.5" FNPT CLASS 800, 800 PSIG @ 850F, REG. PORT	1
537	11C	VALVE, GAUGE, DANIEL, 209-01-049C 11C, 0.5" FNPT X 0.625" TUBE, 3600 PSIG @ 250F, 1 SET, CARBON STEEL	1
538	BBAB07	VALVE, NEEDLE, CENTURY, CM2-3-M22T-B-V, 0.25" MNPT X 0.25" FNPT, 6000 PSIG @ 100F	1
539	F-303-ER-1P	COOLER, OIL, SHELL & TUBE, 150PSI @ 350F	1
540	-	-	-
541	BF1307	FILTER, HOUSING, OIL, BALDWIN, BF1307, 0.75" FNPT	1
542	BF915	FILTER, ELEMENT, OIL, BALDWIN, BF915, SPIN ON	1

PROPRIETARY MATERIAL
NOT TO BE RE-PRODUCED OR DISTRIBUTED
WITHOUT THE PRIOR WRITTEN CONSENT OF
TOROMONT ENERGY SYSTEMS INC.



NOTES:
1. FOR ALL OTHER NOTES & GENERAL INFORMATION SEE DWG. #FFLOW.
2. ALL TUBING IS 304SS c/w CADMIUM PLATED 'S' TYPE FITTINGS EXCEPT AS NOTED.
(S' FITTINGS - CS BODY w/ SS BACK FERRULE & CS FRONT FERRULE)

No.	REVISION	DATE	BY
2	AS BUILT	05/13/04	LK
1	ISSUED FOR CONSTRUCTION	03/15/04	LK
0	ISSUED FOR APPROVAL	02/18/04	LK

PROPRIETARY MATERIAL: NOT TO BE REPRODUCED OR DISTRIBUTED WITHOUT THE PRIOR WRITTEN CONSENT OF ENERGY INDUSTRIES INC.

TOROMONT ENERGY SYSTEMS
10121 - BARLOW TRAIL N.E. CALGARY ALBERTA CANADA

TITLE: COMPRESSOR/CYLINDER FLOW DIAGRAM ARIEL JGK/4-4 (SWEET)
CUSTOMER: MCV ENERGY INC. c/o GRB ENGINEERING COMPRESSOR LSD

SCALE: NONE DATE: 02/18/04 BY: LK DATE RELEASED: 02/18/04 RELEASED BY: [Signature]
STEP # 550 UNIT # 1134 DRAWING NO.: 1134-COFLW REV. 2

BUILDING SPECIFICATIONS

DESIGN NOTES

- THE BUILDING SHALL BE DESIGNED FOR MIN. WIND LOADS OF 160 KMPH, SNOW LOADS OF 2 KPA AND AS PER THE LATEST EDITION OF THE ALBERTA BUILDING CODE.
- ALL BOLTS, SCREWS, ETC. USED FOR FASTENING ALUMINUM TO ALUMINUM AND ALUMINUM TO STEEL SHALL BE AUSTINIC STAINLESS STEEL OR CADMIUM PLATED.

GENERAL NOTES

NOTES WHICH ARE APPLICABLE TO THIS JOB WHEN SHADED.

SUBNOTES WHICH ARE APPLICABLE WHEN SHADED.

1 TYPE OF BUILDING

SELF FRAMING-SHED SELF FRAMING-CABLE RIGID FRAMING-CABLE

2 MATERIAL - WALL AND ROOF PANELS (22 GA. MIN.)

GALVANIZED ALUMINUM PRE-PAINTED STEEL

COLOR:
 WALLS JAN SPEC. NO. QC-315 ROOF JAN SPEC. NO. QC-315
 DOORS JAN SPEC. NO. QC-315 TRIM JAN SPEC. NO. QC-315

REMOVABLE ROOF PANELS

SIZE I.B.D.
 COLOR
 QTY. I.B.D.

3 ROOF SLOPE

2:12 3:12 4:12

4 INSULATION - FIBREGLASS

WALLS R-12 3 LB./CU.FT. DENSITY SOUND R-20
 ROOF R-12 3 LB./CU.FT. DENSITY SOUND R-20

5 DOORS - 20 GA. METAL, INSULATED (NORMAL SIZES)

3'x7' SINGLE WS WGW PH LS DC SF CC CP
 1x 6'x7' DOUBLE WS WGW PH LS DC SF CC CP WGWB
 WS - WEATHER STRIPPING LS - LOCKSET DC - DOOR CLOSURE CP - CANOPY
 WGW - WIRE GLAZED WINDOW PH - PANIC HARDWARE SF - STEEL FRAME
 WGWB - WIRE GLAZED WINDOW IN BOTH DOORS

6 WINDOWS-HORIZ. SLIDING c/w SCREEN (DOUBLE GLAZED)

QTY 3 40x40 QTY 40x50 QTY WIRE GLAZED

7 LINING

24 GA. FLUTED ALUMINUM 22 GA. PERFORATED ALUMINUM (WHITE)
 24 GA. FLUTED ALUMINUM - WHITE

8 ERECTION

ON SITE BY BLDG. MANUFACTURER AT FAB. SHOP BY BLDG. MANUFACTURER

9 WALL LOUVRES (NOMINAL SIZES)

STAMPED LOUVRE c/w SLIDE CLOSURE AND SCREEN
 2 - 18"x32" ADJUSTABLE LOUVRE c/w MANUAL CONTROL AND SCREEN

10 RIDGE VENTILATOR

RIDGE VENTILATOR c/w MANUAL CONTROLS & BIRDSCREEN (9" THROAT)
 ACOUSTIC TYPE RIDGE VENTILATOR c/w MANUAL CONTROLS & BIRDSCREEN
 LENGTH FULL

11 ROLL-UP DOORS/SECTIONAL O/H DOORS/SLIDING DOORS

1-10'x10' STEEL ROLL-UP DOOR DIRECT DRIVE CHAIN HOIST
 STEEL HINGED ACCESS DOOR GEARED CHAIN HOIST
 STEEL BOLTED ACCESS DOOR MANUAL OPER. CHAIN HOIST
 INSULATED

12 FANS - ROOF/WALL

ROOF WALL
 ELECTRIC DRIVEN FAN CAPABLE OF PROVIDING A MIN. OF 12 AIR CHANGES/HOUR AT 1/8" SP. c/w BACK DRAFT DAMPERS. ALUM. HOUSING AND BIRDSCREEN. MOTOR TO BE CSA APPROVED. EXPLOSION PROOF (CLASS 1, GROUP D, DIVISION 1). EXTERNALLY MOUNTED.
 120/240 V - 1 PHASE PENN DOMEX
 240/480 V - 3 PHASE STD. PROPELLER
 SOUND ATTENUATOR

13 POLYETHYLENE VAPOUR BARRIER

2 ML. 4 ML. 6 ML.

14 EAVESTROUGH, DOWNSPOUT AND ICE RAKES

EAVESTROUGHS DOWNSPOUTS ICE RAKES

15 BUILDING SIZE

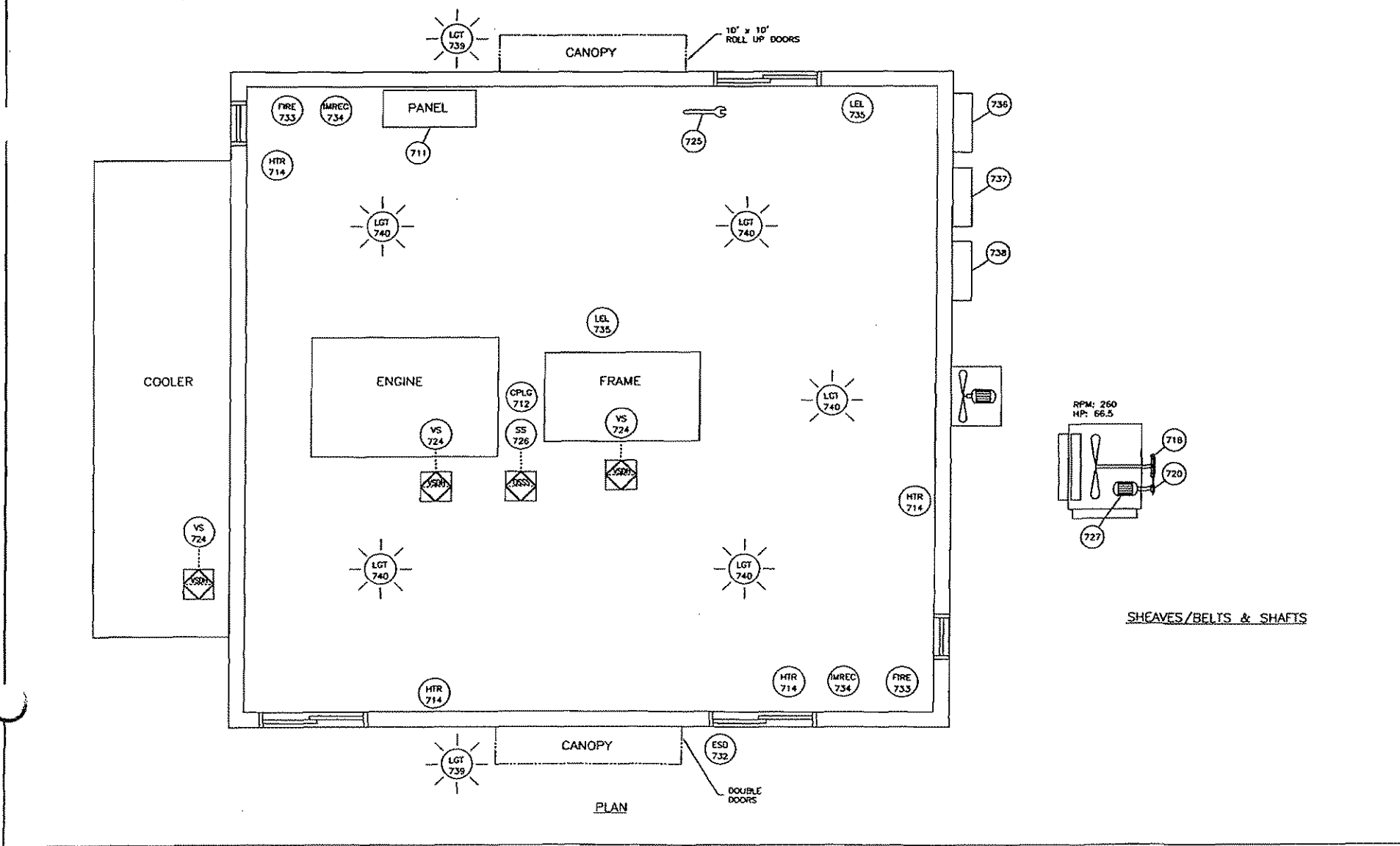
LENGTH 36'-0"
 WIDTH 23'-0"
 EAVE HEIGHT 14'-6"

ENERGY INDUSTRIES SCOPE OF SUPPLY			
No.	PART No.	DESCRIPTION	QUANTITY
701	-	-	-
702	-	-	-
703	NPN	BELT COOLER, TYPE 5W, 8 GROOVE, PART # SIZE 5W1800 c/w COOLER	1
704	-	-	-
705	-	-	-
706	-	-	-
707	-	-	-
708	-	-	-
709	-	-	-
710	-	-	-
711	NPN	CONTROL PANEL, REMAUE 500S, 24 VDC, CLASS I, DIV. 2, GROUP C & D, TEMP CODE T2D (SEE STEP #151)	1
712	NPN	COUPLING, COMPRESSOR, FSH SERIES 70, APRIL KEYLESS COMPRESSOR HUB ASSY #CK, 28.875" OD x 27.75" B.C. ENGINE ADAPTOR PLATE, SAE BOLTING, 1400 RPM RATED	1
713	-	-	-
714	NPN	HEATER, CADZADNE, 4800 BTU/HR, 120V STARTERS	4
715	-	-	-
716	-	-	-
717	-	-	-
718	NPN	SHEAVE, COOLER, " " P.D., TYPE 5W, 5 GROOVE c/w COOLER	1
719	-	-	-
720	NPN	SHEAVE, COOLER MOTOR c/w ENGINE	1
721	-	-	-
722	-	-	-
723	-	-	-
724	VSE-E	SWITCH, VIBRATION, MURPHY, VSE-E	3
725	NPN	JGM TOOLBOX c/w FRAME	1
726	NPN	PICKUP, MAGNETIC, 3 WIRE c/w ENGINE	1
727	NPN	MOTOR, ELECTRIC, 75 HP, 1200RPM, 460/3/50 TEFL, SUITABLE FOR VFD DRIVE, c/w COOLER	1
728	-	-	-
729	-	-	-
730	-	-	-

ELECTRICAL SCOPE OF SUPPLY		
731	-	-
732	-	BUTTON, ESD
733	-	DETECTOR, FIRE, NET SAFETY, MODEL #JNS-A, c/w JBY-UV-T-ASSY JUNCTION BOX
734	-	INTERIOR MAINTENANCE RECEPTACLE, NEMA 7, 120V
735	-	DETECTOR, LEL, NET SAFETY, MODEL #MLP-A-SC1100-SEP, c/w CCS-1 CALIBRATION CLIP
736	-	JUNCTION BOX, CONTROL, CLASS I, DIV. 2, NEMA 4
737	-	JUNCTION BOX, 24 VDC, CLASS I, DIV. 2, NEMA 4
738	-	JUNCTION BOX, 120 VAC, CLASS I, DIV. 2, NEMA 4
739	-	LIGHT, EXTERIOR, NEMA 4
740	-	LIGHT, INTERIOR, NEMA 7
741	-	-
742	-	-
743	-	-

PROPRIETARY MATERIAL
 NOT TO BE REPRODUCED OR DISTRIBUTED
 WITHOUT THE PRIOR WRITTEN CONSENT OF
 TOROMONT ENERGY SYSTEMS INC.

NOTES:
 1. FOR ALL OTHER NOTES & GENERAL INFORMATION SEE DWG. #PFLOW.
 2. -



No.	REVISION	DATE	BY
3	AS BUILT	05/13/04	LK
2	FIRE & GAS DETECTION/BUILDING COLORS ADDED	04/13/04	LK
1	ISSUED FOR CONSTRUCTION	03/15/04	LK
0	ISSUED FOR APPROVAL	02/18/04	LK

PROPRIETARY MATERIAL: NOT TO BE REPRODUCED OR DISTRIBUTED WITHOUT THE PRIOR WRITTEN CONSENT OF ENERGY INDUSTRIES INC.

TOROMONT ENERGY SYSTEMS	10121 - BARLOW TRAIL N.E. CALGARY ALBERTA CANADA
TITLE: EQUIPMENT LAYOUT	CUSTOMER: HGV ENERGY INC. c/o GRI ENGINEERING COMPRESSOR LSD: 14-10-26-23 WAM
SCALE: NONE	DATE: 02/18/04
STEP # 570	UNIT # 1134
DATE RELEASED: 02/12/04	RELEASED BY: [Signature]
DRAWING NO.: 1134-EQUIPMENTLAYOUT	REV: 3