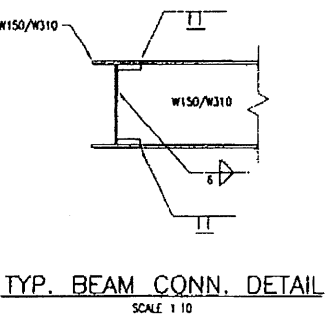
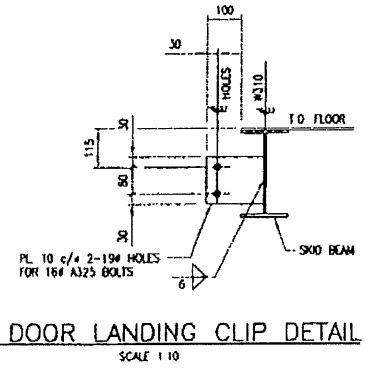
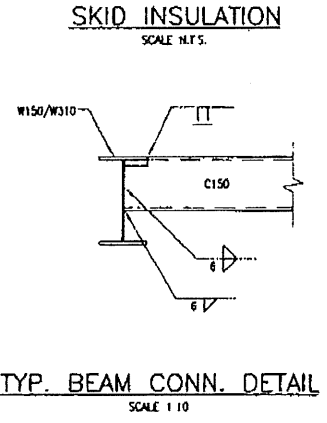
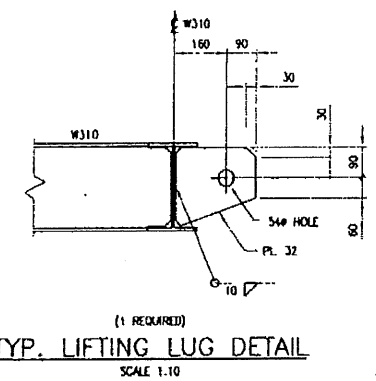
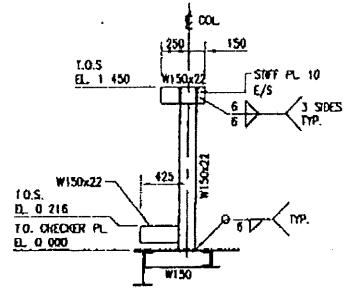
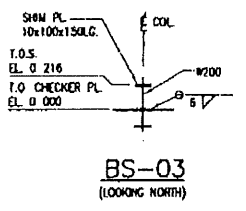
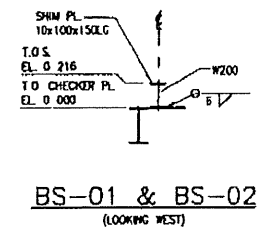
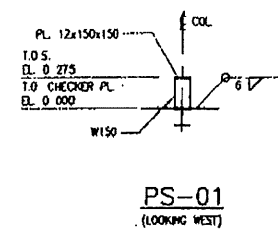
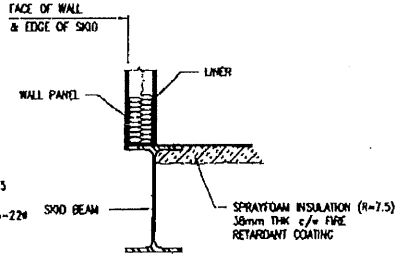
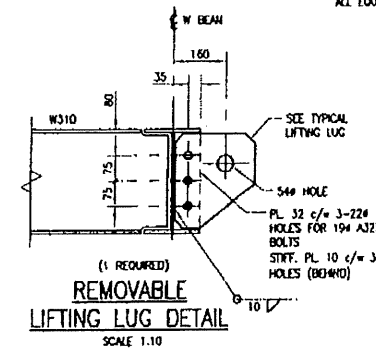
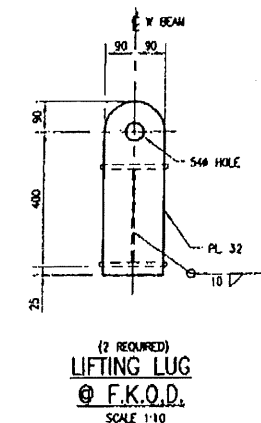


SHOP NOTE:

- CUT OUT FLOOR PLATE WHERE PIPE SUPPORT COLUMNS ARE LOCATED.
- PROVIDE AND SHOP WELD ON SKID 10mm THICK STIFFENER PLATE AT EACH PIPE SUPPORT LOCATION.
- SHOP TO CONFIRM INSTALLATION AND LOCATION OF EQUIPMENT PRIOR TO MOUNTING TO SKID.
- SHOP LOCATE BOLT HOLES AND SIZES, SLIDING PLATE ASSEMBLY AS REQUIRED.

STRUCTURAL STEEL SKID NOTES:

- STRUCTURAL STEEL DESIGN, FABRICATION, MATERIALS AND ERECTION SHALL BE IN ACCORDANCE WITH DPH FOCUS SPECIFICATION R-001 "STRUCTURAL STEEL".
- ALL STRUCTURAL STEEL WORK SHALL CONFORM TO APPLICABLE CSA STANDARDS, AND IN PARTICULAR:
 - (A) CSA CAN3-S16.1-M
 - (B) CISC HANDBOOK OF STEEL CONSTRUCTION
 - (C) CSA G40.21-M STRUCTURAL QUALITY STEEL
- ALL STRUCTURAL STEEL SHALL BE GRADE 350M.
- ALL CONNECTIONS SHALL BE SHOP WELDED UNLESS NOTED OTHERWISE ON DRAWINGS.
- ALL WELDED CONNECTIONS SHALL BE WITH 6mm FILLET WELD U.N.O.
- CHECKERED PLATE TO BE STITCH WELDED TO ALL SKID MEMBERS AND PERIMETER SEAMS TO BE CONTINUOUSLY SEAL WELDED.
- ALL WELDING SHALL CONFORM TO CSA W58-M WELDERS AND WELDING OPERATORS SHALL BE CERTIFIED TO THE CANADIAN WELDING BUREAU, IN ACCORDANCE WITH W47.1-M.
- WELDING ELECTRODES SHALL BE E480XX, CONFORMING TO CSA W48.1-M.
- WHERE REQUIRED BOLTS SHALL CONFORM TO ASTM A-325 FOR ALL BOLTS 20mm DIA AND LARGER, AND ASTM A-307 FOR ALL BOLTS LESS THAN 20mm DIAMETER.
- SURFACE PREPARATION AND PAINTING OF STRUCTURAL STEEL SHALL BE IN ACCORDANCE WITH DPH FOCUS CORPORATION SPECIFICATION W-001 "PAINTING".
- ALL SHARP CORNERS AND BURRS SHALL BE REMOVED PRIOR TO PAINTING AND/OR GALVANIZING.
- GALVANIZED COATINGS, IF DAMAGED PRIOR TO, DURING, OR AFTER ERECTION, SHALL BE REPAINTED WITH ZINC RICH EPOXY PRIMER (2-COATS REQUIRED).
- VEHICLE TO PROVIDE ANY ADDITIONAL EQUIPMENT/PIPING SUPPORTS AS REQUIRED. ALL EQUIPMENT/PIPING TO BE SUPPORTED FROM STRUCTURAL STEEL.



FOR REFERENCE ONLY.

NOTES: CAUTION - READ BEFORE EXCAVATION
 NOT WITHSTANDING INFORMATION PROVIDED BY DPH FOCUS CORPORATION IN ANY FORM THE CONTRACTOR SHALL UTILIZE ELECTRIC LOCATING EQUIPMENT TO LOCATE UNDERGROUND PIPING AND ELECTRICAL WIRING ETC., PRIOR TO HAND EXCAVATION.
 ONCE ALL UNDERGROUND FACILITIES HAVE BEEN HAND EXCAVATED THE CONTRACTOR SHALL RECHECK WITH ELECTRONIC LOCATING EQUIPMENT, THE ENTIRE WORK AREA TO BE MECHANICALLY EXCAVATED TO ENSURE THAT NO FACILITIES HAVE BEEN MISSED.

NUMBER	TITLE	REVISION	BY	DATE	CHKD	APP
0	ISSUED FOR CONSTRUCTION		JDC	08.10.28	DA	JDC
A	ISSUED FOR INFORMATION		JDC	08.06.03		JDC
	REFERENCE DRAWINGS					

PERMIT STAMP
 PERMIT NUMBER: P 9003
 ENGINEER'S STAMP
 PROFESSIONAL ENGINEER
 DPH PROJECT No 9703

DPH FOCUS
 DRAWN: JDC
 CHECKED: [Signature]
 APPROVED DSIGN. ENG: [Signature]
 APPROVED PROJ. ENG: [Signature]
 DATE: 08.05.28
 DPH PROJECT No 9703
 DWG SIZE A1 (594x841)

SWAN HILLS SYNFUELS LTD.
 PRODUCTION FACILITY
 PLAN, DETAILS AND NOTES
 BU-700 STRUCTURAL STEEL SKID
 SCALE 1:30
 DRAWING NUMBER SW-CE-205.01
 REV 0

October 27, 2008 1:56:48 P.M. C:\PROGRAMS\AUTOCAD\PRODUCTION SITE\SW-CE-205.01.DWG TAB MAKE LAYOUT1 Xrefs: [unclear]

02
15