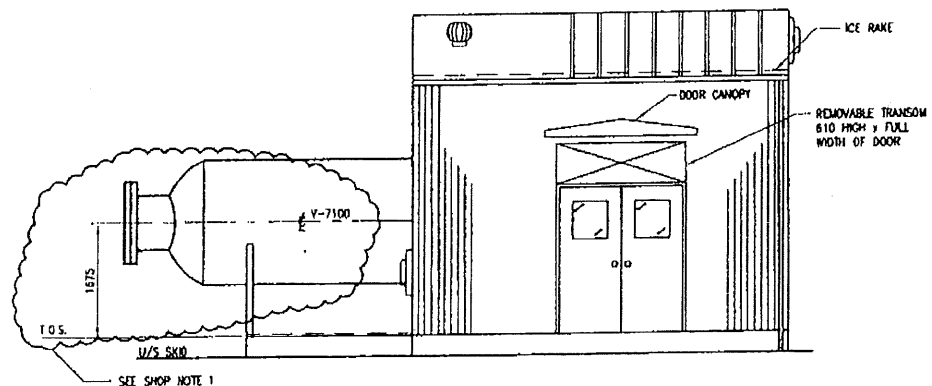
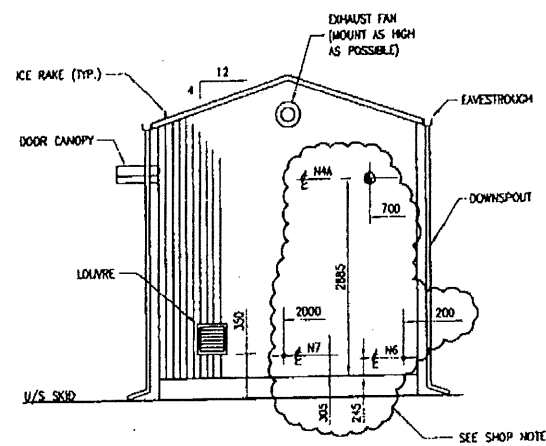


PLAN

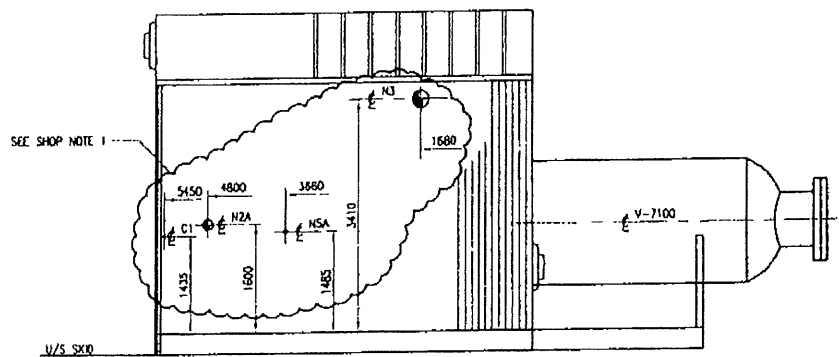
OPENING SIZES	
C1	35"
N4A	170"
N3	260"
N2A	165"
NSA	60"
N6	60"
N7	60"



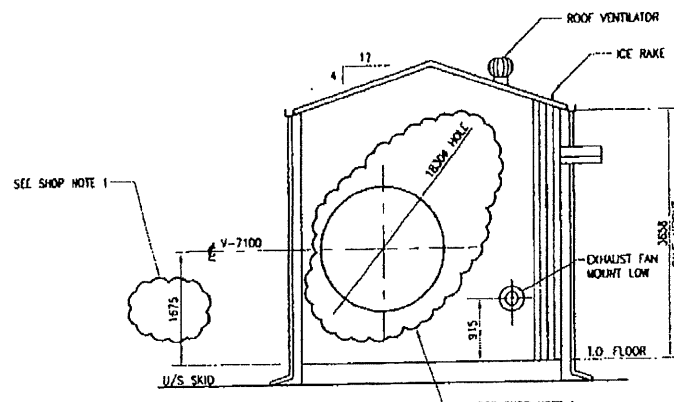
EAST ELEVATION



NORTH ELEVATION



WEST ELEVATION



SOUTH ELEVATION

GENERAL NOTES:

- BUILDING ELECTRICAL CLASSIFICATION:**
CLASS 1 ZONE 2 GROUP A, TC, TEMP CODE T1
BUILDING TO BE DESIGNED ACCORDING TO DPH FOCUS GENERAL SPECIFICATION 0-001 "PREFABRICATED STEEL BUILDINGS".
- WALL AND ROOF CONSTRUCTION:**
WALLS AND ROOF SHALL BE DOUBLE SKINNED INSULATED CLADDING AS FOLLOWS:
a) EXTERIOR SHEATHING SHALL BE ZINC COATED SHEET STEEL WHICH SHALL CONFORM TO ASTM STANDARD SPECIFICATION A63/A63M, SHEET STEEL, ZINC COATED (GALVANIZED) OR ZINC-IRON ALLOY COATED (GALVALUME) BY THE HOT DIP PROCESS, STRUCTURAL (PHYSICAL) QUALITY MINIMUM GRADE A. MINIMUM ZINC COATING DESIGNATION Z275, BASE STEEL THICKNESS SHALL BE 0.75mm (Z2 GAUGE).
b) INTERIOR SHEATHING SHALL BE WHITE ALUMINUM WHICH SHALL CONFORM TO ASTM STANDARD SPECIFICATIONS B209.
c) ROOF AND WALLS SHALL HAVE INSULATION VALUES OF R20 AND R12 RESPECTIVELY G/W 4 MIL V.B
- DOORS:**
1829 WIDE x 2134 HIGH INSULATED GALVANIZED DOUBLE STEEL DOOR c/w 16 GAUGE PRESSED GALVANIZED STEEL FRAME, KEYS, LOCKSET, THRESHOLD, WEATHER STRIPPING, PANIC HARDWARE, DOOR CLOSER, DOOR STOP AND HALF LIGHTING WINDOW. (1 REQUIRED)
- CANOPY:**
AS SHOWN ON DRAWING, ADEQUATE SPACE BETWEEN DOOR AND CANOPY MUST BE SUPPLIED TO ALLOW PLACEMENT OF EXTERIOR LIGHT FIXTURE.
- LOUVERES:**
450W x 450H WALL MOUNTED COMBINED LOUVERES EXTERIOR LOUVER SHALL BE FIXED AND WEATHERPROOF c/w BRD SCREEN. INTERIOR LOUVER c/w FILTER AND ADJUSTABLE COUNTERWEIGHT TO ONE BACKDRAFT PROTECTION (1 REQUIRED)
- EXHAUST FAN:**
0.30m³/sec (610 CFM) AT 0.62 Pa STATIC PRESSURE WALL MOUNTED "RUTHECK" (PART NO. DFX-12A-1G c/w BRD SCREEN) EXHAUST FAN (850 CFM), 12" DIA. FAN EPOXY POWDER COATED CARBON STEEL, 1/2 HP TOTALLY ENCLOSED ELECTRIC MOTOR c/w BACKDRAFT DAMPER, STORM HOOD AND BRD SCREEN. SUPPLIED POWER 480 VAC/3 PH/60 HZ. (2 REQUIRED)
- UNIT HEATER:**
10.0 kW HORSMAN (PART NO. XGB1001J873H) (THERMOSTAT BY OTHERS) (1 REQUIRED)
- ELECTRICAL:**
ELECTRICAL WIRING IN ACCORDANCE WITH ELECTRICAL DRAWINGS.
- EAVESTROUCHING:**
CONTINUOUS EAVESTROUCHING SHALL BE PROVIDED ON BOTH SIDES OF THE BUILDING AND A DOWNSPOUT REQUIRED ON 2 CORNERS OF THE BUILDING.
- ICE RAKES:**
ICE RAKES SHALL BE PROVIDED LOCALLY ON SOUTHSIDE OF BUILDING ROOF OVER DOUBLE DOOR/CANOPY.
- ROOF VENTILATOR:**
WHIRLYBIRD/TURBINE TYPE ROOF VENTILATOR SHALL BE PROVIDED WITH A MINIMUM AIR FLOW CAPACITY OF 0.16 cu ft/SEC (350 CFM)
- DESIGN LOADING:**
BUILDING TO BE DESIGNED FOR A MAXIMUM REFERENCE VELOCITY PRESSURE (q=0.50 LPa) AND GROUND SNOW LOAD (Sg=2.5 LPa, S=0.1 MPa).

SHOP NOTES:

- SHOP CONFIRM & LOCATE ALL PIPE TO WALL PENETRATIONS AND V-7100 LOCATION

FOR REFERENCE ONLY

October 27, 2008 11:28:54 AM
 Drawing: D:\CAD\SYNTHESIS\070\CIVIL\PRODUCTION SITE\SW-CF-205-01.DWG 148 NAME: LAYOUT1
 Title: eng-mmr.dwg eng-permit.dwg

NOTES: CAUTION - READ BEFORE EXCAVATION

NOT WITHSTANDING INFORMATION PROVIDED BY DPH FOCUS CORPORATION IN ANY FORM THE CONTRACTOR SHALL UTILIZE ELECTRIC LOCATING EQUIPMENT TO LOCATE UNDERGROUND PIPING AND ELECTRICAL WIRING ETC. PRIOR TO HAND EXCAVATION

ONCE ALL UNDERGROUND FACILITIES HAVE BEEN HAND EXCAVATED THE CONTRACTOR SHALL RECHECK, WITH ELECTRONIC LOCATING EQUIPMENT, THE ENTIRE WORK AREA TO BE MECHANICALLY EXCAVATED TO ENSURE THAT NO FACILITIES HAVE BEEN MISSED

NUMBER	TITLE	DATE	BY	DATE	CKD	APP
SW-CE-205.01	PLAN, DETAILS & NOTES BU-700 STEEL SKID	08.10.28	JDC	08.10.28	DA	SA
		08.05.28	HY	08.05.28		
	REFERENCE DRAWINGS					
	REVISION					

PERMIT STAMP

PERMIT TO PRACTICE
 SWAN HILLS SYN FUELS LTD.
 PERMIT NUMBER: P 9803
 The Association of Professional Engineers
 Ontario Inc. (C. 1919)

ENGINEER'S STAMP

REGISTERED PROFESSIONAL ENGINEER
 SWAN HILLS SYN FUELS LTD.
 28-04-2008
 (ENGINEER'S STAMP SHALL APPLY ONLY TO REVISIONS)

DPH FOCUS

DRAWN	CHECKED	APPROVED DSCH. ENG.	APPROVED PROJ. ENG.
BY: HY	DA	SA	SA
DATE: 08.05.28	08-10-28	08-10-28	08-10-28
DPH PROJECT No: 9703	DWG. SIZE: A1 (594x841)		

SWAN HILLS SYN FUELS LTD.

PRODUCTION FACILITY
 PLAN, ELEVATIONS AND NOTES
 BU-700 - HP & LP FLARE KO BUILDING

SCALE: 1:50
 DRAWING NUMBER: SW-CF-205.01
 REV: 0

15
C2