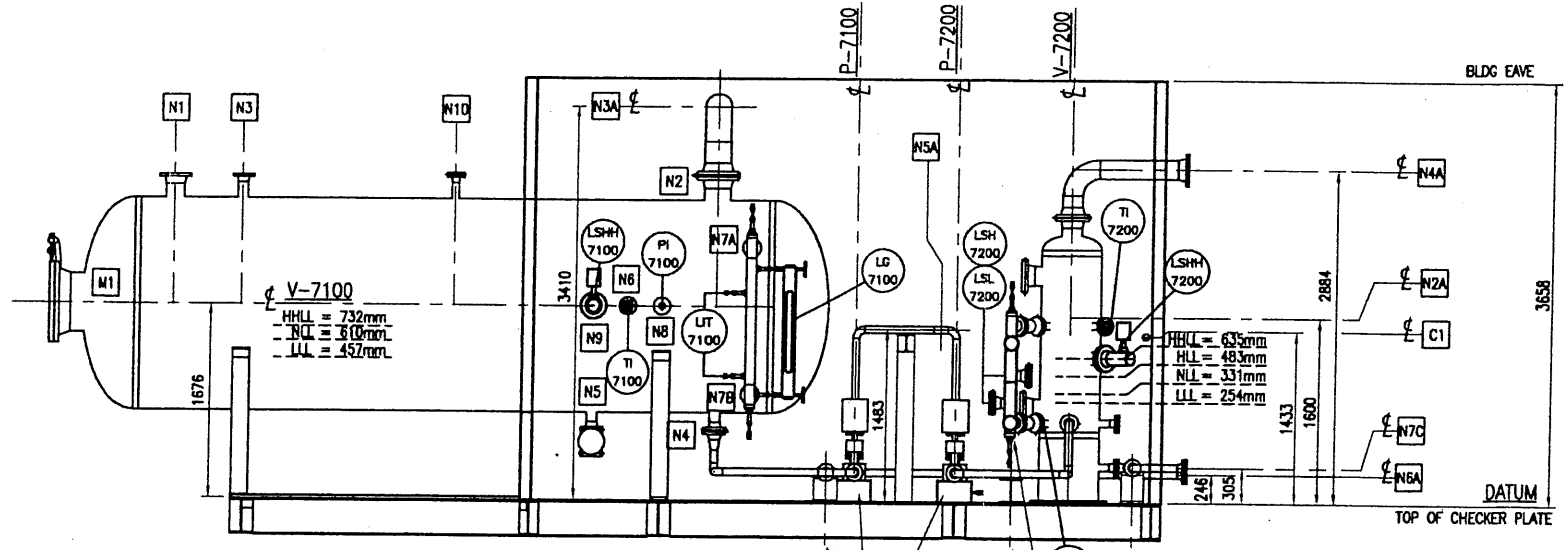
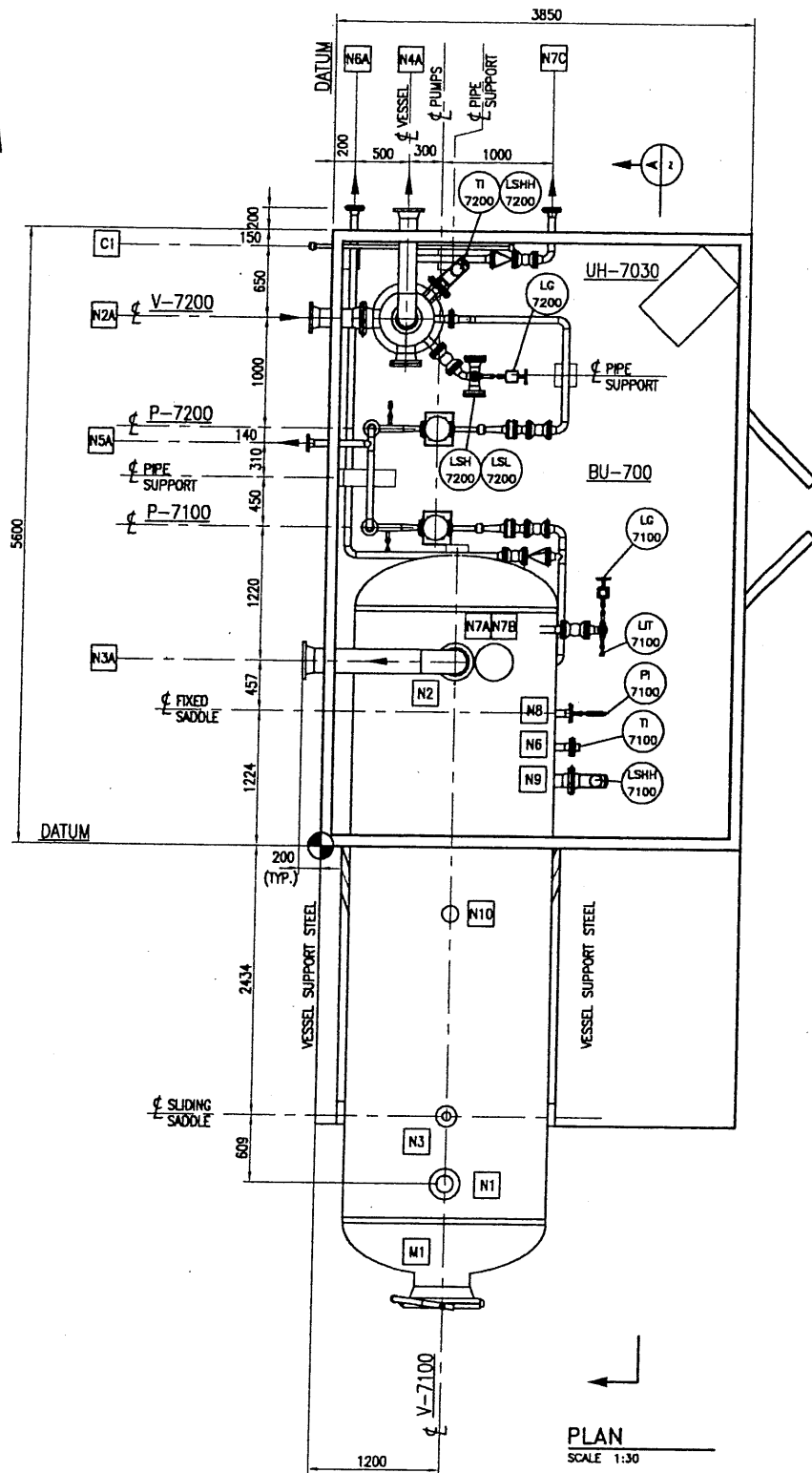


EQUIP. NO.	NOZZLE NUMBER	SIZE & RATING	SERVICE
BU-700	N2A	6"-150RF	LP FLARE INLET
	N3A	6"-150RF	HP FLARE OUTLET
	N4A	6"-150RF	LP FLARE OUTLET
	N5A	2"-150RF	CMD DRAIN OUTLET
	N6A	2"-150RF	V-7100 CMD TRUCKOUT
	N7C	2"-150RF	V-7200 CMD TRUCKOUT
	C1	1"-3000NPT	IA SUPPLY



FOR REFERENCE ONLY

NOTE TO FABRICATOR:

- SKID LAYOUT IS PROVIDED AS A REFERENCE ONLY!
- FINAL DESIGN OF SKID TO BE IN ACCORDANCE WITH APPLICABLE CODES & PRACTICES.
- FABRICATOR TO MAINTAIN SKID EDGE CONNECTION LOCATIONS AS CLOSE AS POSSIBLE TO SUGGESTED LAYOUT.
- PIPING WITHIN SKID LIMITS MAY BE ADJUSTED BY FABRICATOR AS REQUIRED FOR CONSTRUCTABILITY.

NOTES:
1. ALL OPENINGS COVERED PRIOR TO SHIPPING.

NUMBER	TITLE	DATE	BY	DATE	CHKD	APP
0	ISSUED FOR FABRICATION - DPH FOCUS #9703	08.10.10	VC	08.10.10		
A	ISSUED FOR INFORMATION - DPH FOCUS #9703	08.05.20	DP	08.05.20		
	REFERENCE DRAWINGS					
	REVISION					

PERMIT STAMP

ENGINEER'S STAMP

DPH FOCUS

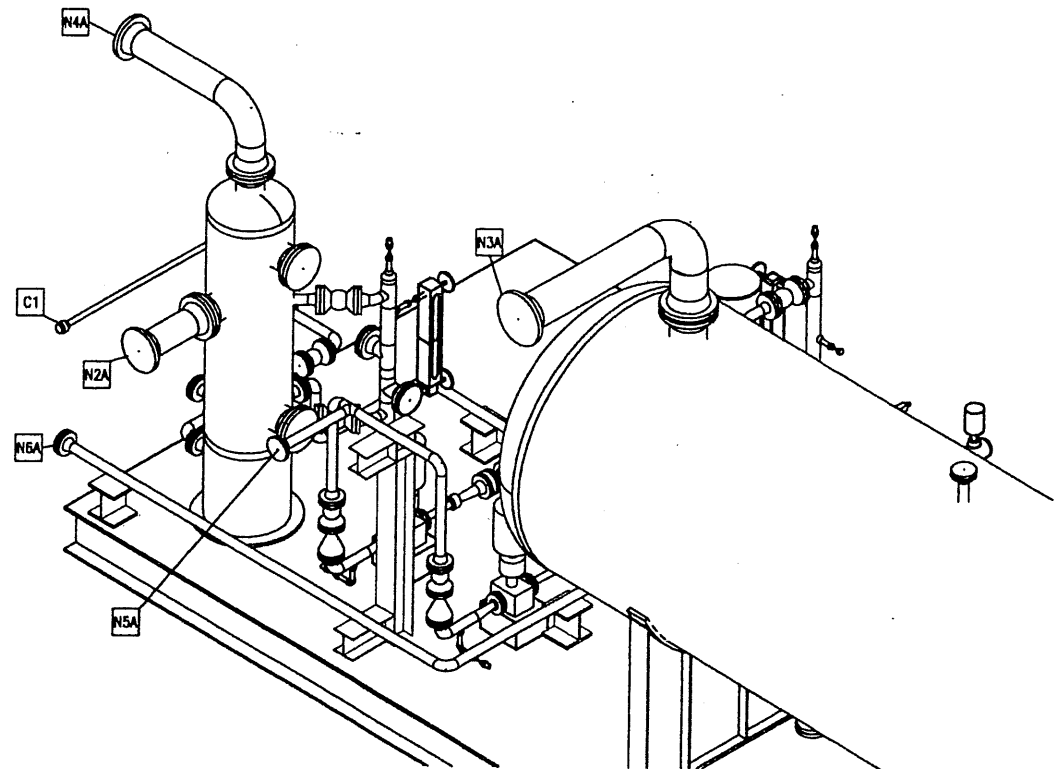
SWAN HILLS SYNUELS LTD.

SWAN HILLS ISCG PRODUCTION FACILITY
BU-700 - HP & LP FLARE KO BLDG.
PIPING PLAN & ELEVATION

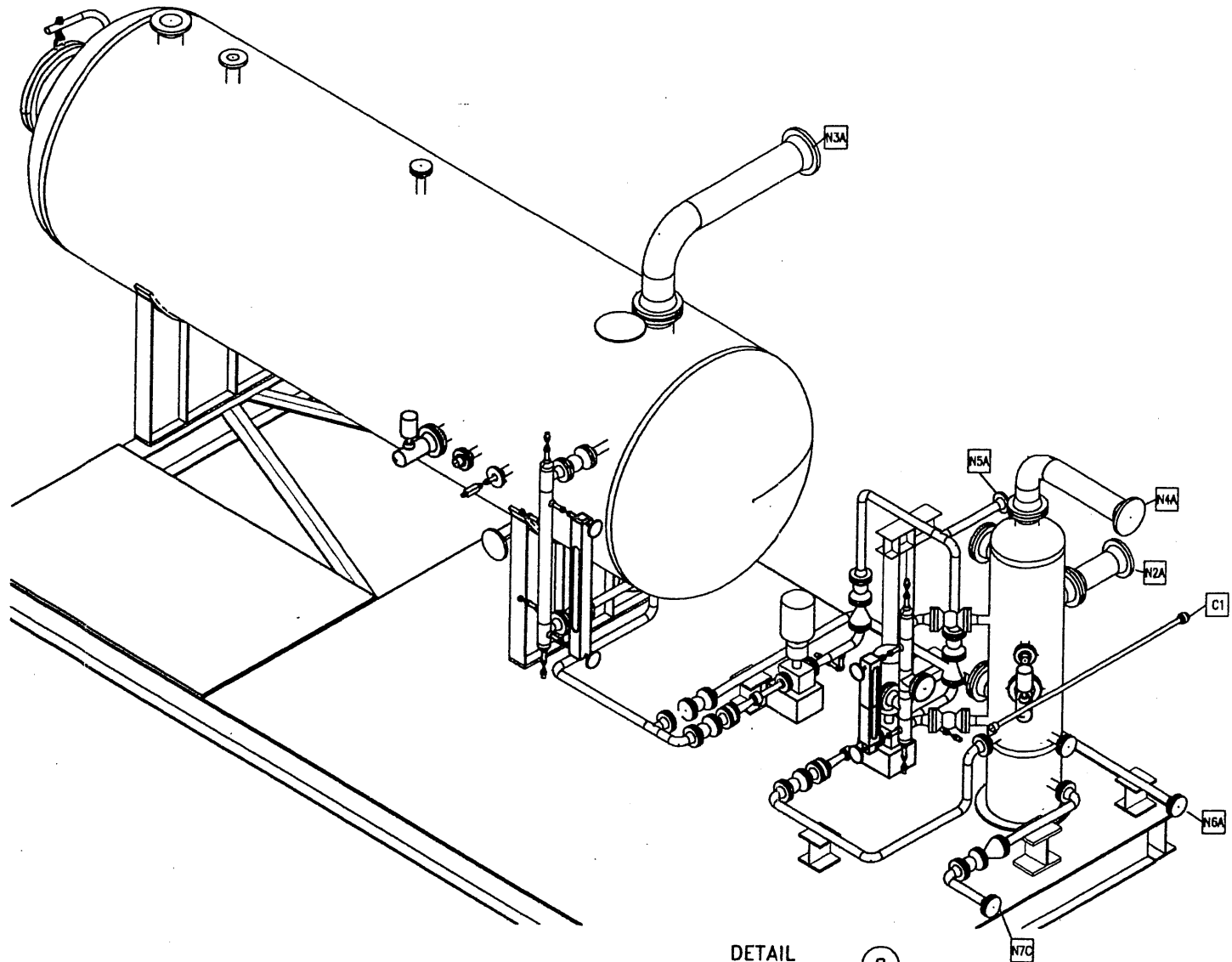
BY	VC	APPROVED DSGN. ENG.	APPROVED PROJ. ENG.
DATE	08.04.30		
DPH PROJECT No.	9703	DWG. SIZE	A1 (841x594)
SCALE	1:30	DRAWING NUMBER	SW-K201-05A
		REV	0

October 24, 2008 7:53:58 a.m.
Drawing: D:\P00\STRIBER\9703\PIPING\MODEL\EQUIPMENT\PRODUCTION WELL\BU-700.DWG TAB NAME: LAYOUTS

Handwritten initials and number: CE 19



DETAIL 1
SCALE NTS
LOOKING FROM SW
V-7100 REMOVED



DETAIL 2
SCALE NTS
LOOKING FROM NE
V-7200 REMOVED

FOR REFERENCE ONLY

NOTES:

NUMBER	TITLE	DATE	BY	CHKD	APP
0	ISSUED FOR FABRICATION - DPH FOCUS #9703	08.10.10	VC		
A	ISSUED FOR INFORMATION - DPH FOCUS #9703	08.05.20	DP		
	REFERENCE DRAWINGS				
	REVISION				

PERMIT STAMP

ENGINEER'S STAMP

DPH FOCUS

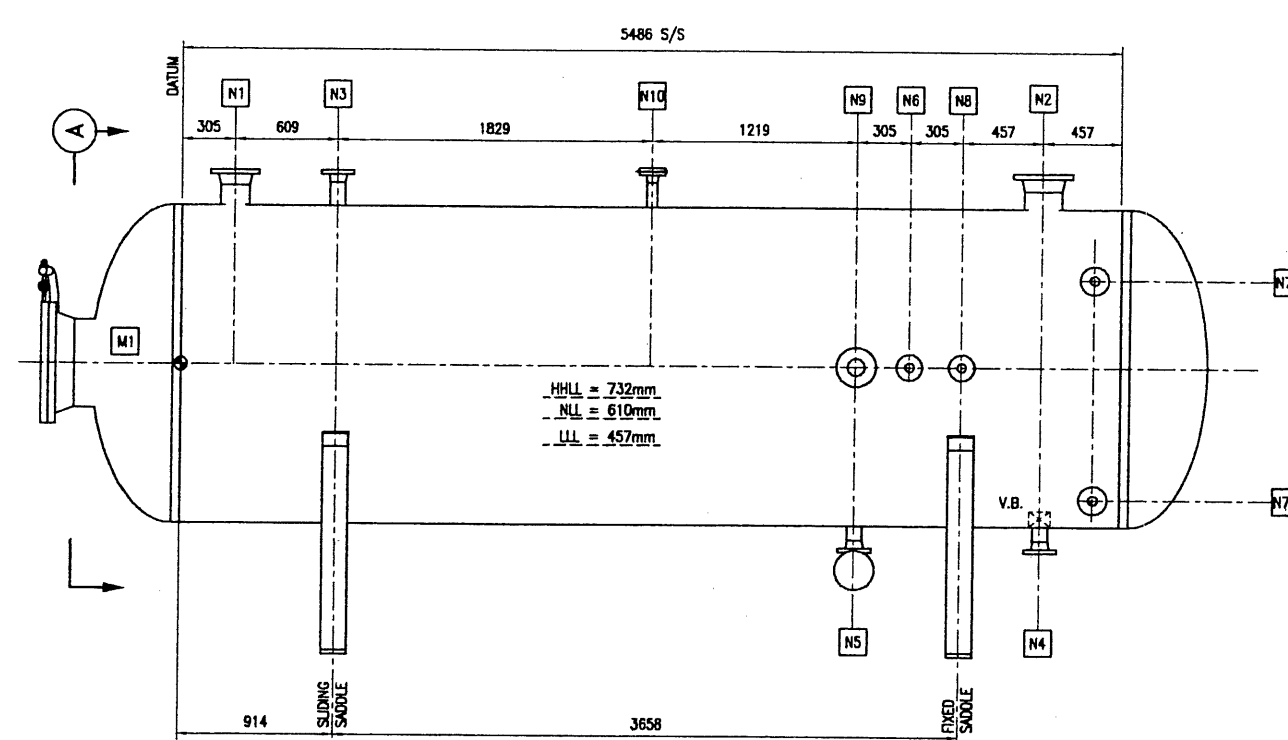
BY	CHECKED	APPROVED DSGN. ENG.	APPROVED PROJ. ENG.
VC			
DATE	08.04.30		
DPH PROJECT No.	9703	DWG. SIZE	A1 (841x594)

SWAN HILLS SYNFUELS LTD.

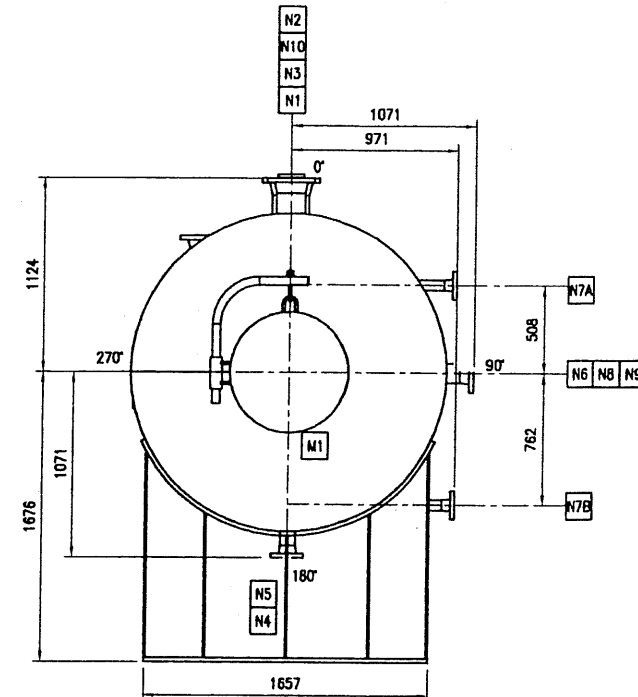
SWAN HILLS ISCG PRODUCTION FACILITY
BU-700 - HP & LP FLARE KO BLDG.
ISOMETRIC VIEWS

SCALE	DRAWING NUMBER	REV
1:30	SW-K201-05B	0

CE
1.5

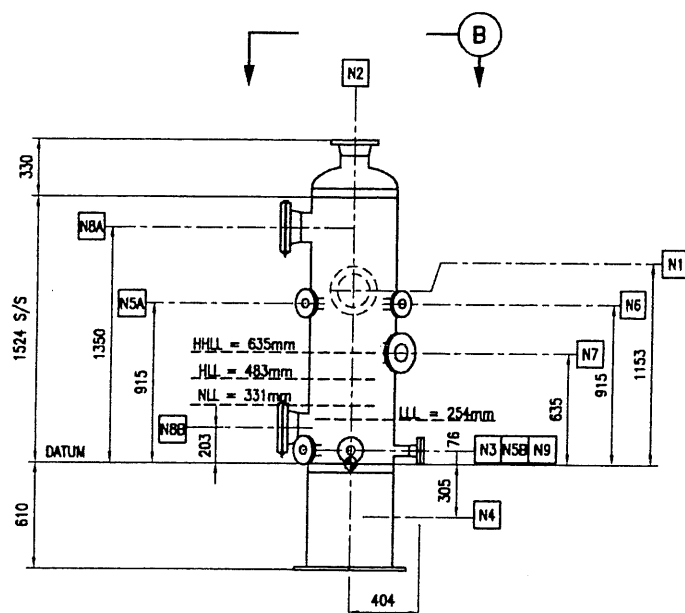


ELEVATION VIEW V-7100
SCALE: 1:20

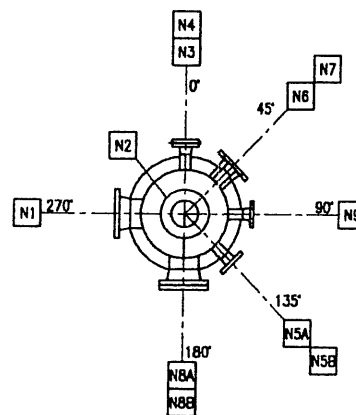


END VIEW 'A-A'
SCALE: 1:20

EQUP. NO.	NOZZLE NUMBER	SIZE & RATING	SERVICE
V-7100	N1	6"-150#RF	HP FLARE INLET
	N2	6"-150#RF	HP FLARE OUTLET
	N3	3"-150#RF	CWD DRAW INLET
	N4	3"-150#RF	CWD DRAW OUTLET
	N5	3"-150#RF	DRAIN
	N6	2"-150#RF	TI
	N7A	2"-300#RF	BRIDLE
	N7B	2"-300#RF	BRIDLE
	N8	2"-150#RF	PI
	N9	4"-150#RF	LSH
	N10	2"-150#RF	VENT C/W BLIND
M1	20"-150#RF	MANWAY C/W DWIT	



ELEVATION VIEW V-7200
SCALE: 1:20



TOP VIEW 'B-B'
SCALE: 1:20

NOZZLE NUMBER	SIZE & RATING	SERVICE
N1	6"-150#RF	LP FLARE INLET
N2	6"-150#RF	LP FLARE OUTLET
N3	2"-150#RF	SPARE
N4	2"-150#RF	DRAIN OUTLET
N5A	2"-300#RF	BRIDLE
N5B	2"-300#RF	BRIDLE
N6	2"-150#RF	TI
N7	2"-150#RF	LSH
N8A	6"-150#RF	INSPECTION
N8B	6"-150#RF	INSPECTION
N9	2"-150#RF	CWD DRAW OUTLET

NOTE TO FABRICATOR:

- VESSEL LAYOUTS ARE PROVIDED AS A REFERENCE ONLY!
- FINAL DESIGN OF VESSELS TO BE IN ACCORDANCE WITH APPLICABLE CODES & PRACTICES.
- FABRICATOR TO KEEP V-7100 NOZZLE M1, N1, N3 AND N2 LOCATIONS AS CLOSE AS POSSIBLE TO SUGGESTED LAYOUT.
- FABRICATOR TO KEEP V-7200 NOZZLE N1 AND N2 LOCATIONS AS CLOSE AS POSSIBLE TO SUGGESTED LAYOUT.

FOR REFERENCE ONLY

NOTES:

- FULL INTERNAL COATING OF DEVISE 253 BOTH VESSELS.
- V-7100 38mm INSUL O/S ONLY.

NUMBER	TITLE	DATE	BY	DATE	CHKD	APP
0	ISSUED FOR FABRICATION - DPH FOCUS #9703	08.10.10	VC			
	REVISION					

PERMIT STAMP

ENGINEER'S STAMP

DPH FOCUS

SWAN HILLS SYNFUELS LTD.

BY	CHECKED	APPROVED DSGN. ENG.	APPROVED PROJ. ENG.
VC			
DATE	08.04.30		

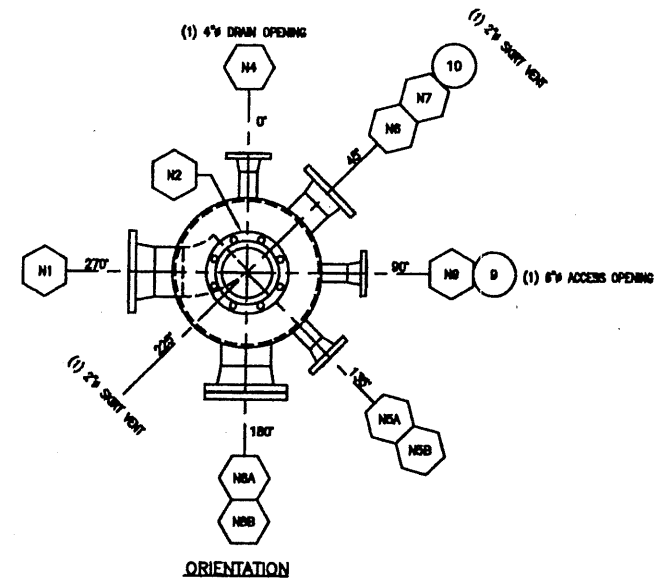
SWAN HILLS ISCG PRODUCTION FACILITY
V-7100 & V-7200
HP & LP FLARE KNOCKOUT DRUM

SCALE	DRAWING NUMBER	REV
1:20	SW-K201-05C	0

CE
19

NOZZLE SCHEDULE

TAG	SIZE	RATING	TYPE		SERVICE	NOZZLE BORE	REPAD	PROJECTION		ITEM NUMBER
			EXTERNAL	INTERNAL				V/S	O/S	
N1	6"	CL 150	RFWN	-	LP FLAME GAS INLET	SCH SD	10 5/8" OD x 3/8" THK	-	6"	7,13,21,30
N2	6"	CL 150	RFWN	-	LP FLAME GAS OUTLET	SCH SD	N/A	-	SHOWN	13,22
N4	2"	CL 150	RFWN	-	DRAIN c/w EXTENSION	SCH XH	N/A	-	6"	15,25,27,31
N5A	2"	CL 300	RFWN	-	INSTRUMENT BRIDLE	SCH XH	N/A	-	6"	18,26
N5B	2"	CL 300	RFWN	-	INSTRUMENT BRIDLE	SCH XH	N/A	-	6"	18,26
N6	2"	CL 150	RFWN	-	TI c/w BLIND	SCH XH	N/A	-	6"	16,17,25,34,37
N7	4"	CL 150	RFWN	-	LSFH	SCH SD	N/A	-	6"	15,24,32,37
N8A	6"	CL 150	RFWN	-	INSPECTION c/w BLIND	SCH SD	N/A	-	6"	13,14,23,33,36
N8B	6"	CL 150	RFWN	-	INSPECTION c/w BLIND	SCH SD	N/A	-	6"	13,14,23,33,36
N9	2"	CL 150	RFWN	-	PUMP OUT	SCH XH	N/A	-	6"	18,25

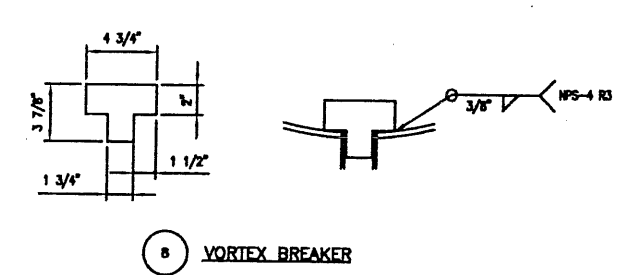
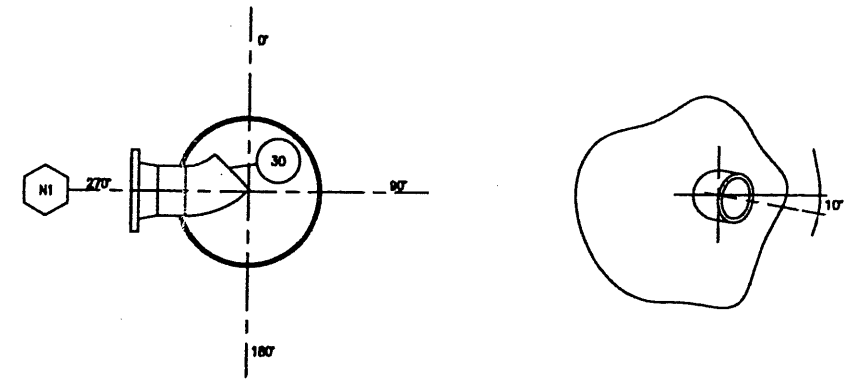
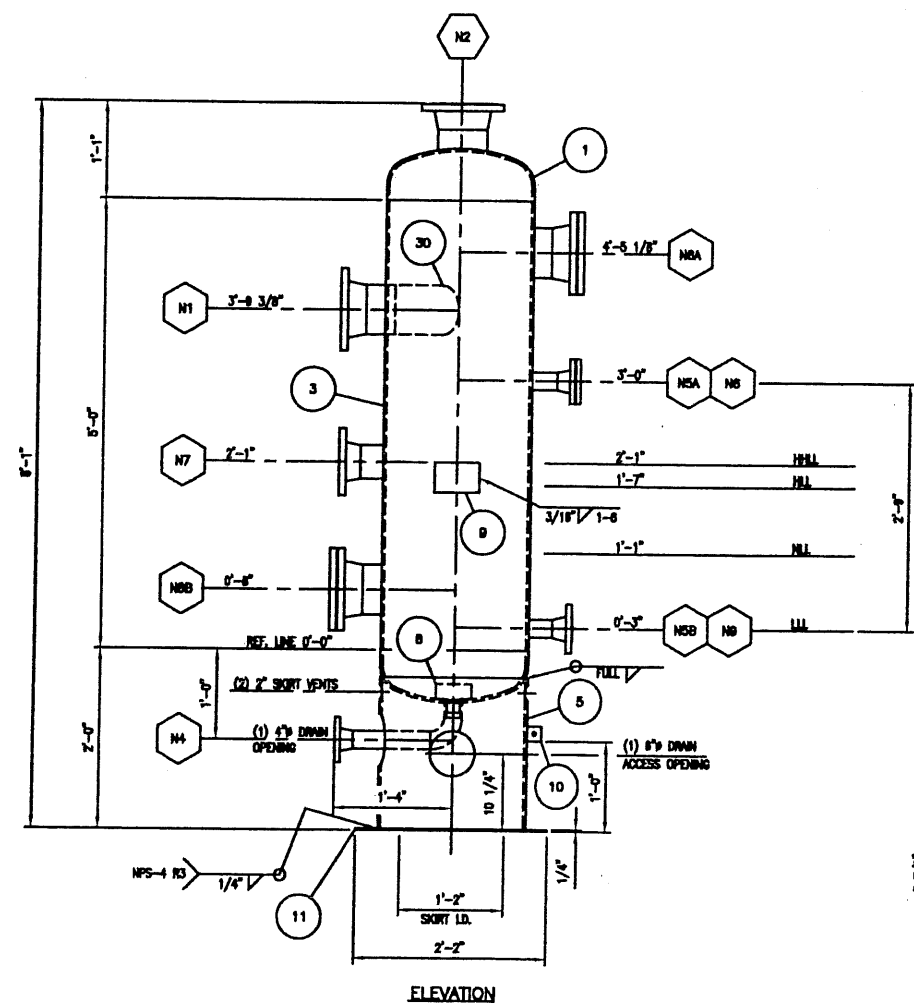


DESIGN DATA

CRN - IN THE PROVINCE OF ALBERTA
 CODE: ASME SECTION VIII, DIV 1 2007 EDITION.
 MWSP: 80 PSIG MAX. DESIGN TEMP: 300F
 MWSP: 14.9 PSIG
 RADIOGRAPHY: FULL (RT-1) PER UN-11(c) NOTE: 5 STRESS RELIEF: YES, NOTE: 10
 HYDROTEST: 75 PSIG SHIPWING WEIGHT: 1050 LBS YES
 HYDROTEST WEIGHT: 1800 LBS VOLUME: 11.7 CU. FT.
 HEAD TYPE: 2:1 SE CORROSION ALLOW: 1/8"
 HEAD JOINT EFF'CY: 1.0 SHELL JOINT EFF'CY: 1.0
 HEAD MATERIAL: SA-516-70H MAX. ALLOW. STRESS: 20,000
 SHELL MATERIAL: SA-516-70H MAX. ALLOW. STRESS: 20,000
 SHELL DIAMETER: 20" OD HEAD THICK (MIN): 0.375" (0.3125")
 SHELL DIAMETER: 20" OD SHELL THICK.: 0.375"
 MOUNT: -20F @ 80 PSIG SERVICE: SOUR
 SURFACE PREP. - EXTERNAL: SANDBLAST CLEANING PER SSPC-SP8
 EXTERNAL COATING: ONE (1) COAT DEVCO CATHODIC ZN (EACH COAT 2-4 MILS DFT)
 ONE (1) COAT DEVCO ZINC RICH (EACH COAT 4-8 MILS DFT)

MATERIAL LIST

ITEM	QTY.	PART	DESCRIPTION	MATERIAL
1	2	HEAD	20" OD x 3/8" NOM THK 2:1 SE HEAD c/w 2" SF (HOT FORMED) 30 DEG. O/S BEVEL, NO LAND	SA-516-70H
3	1	SHELL	20" OD x 3/8" THK x 5'-0" LG. CRCS 30 DEG O/S BEVEL	SA-516-70H
4			LONG: 30 DEG O/S BEVEL, NO LAND, 1/8" GHP	
5	1	SHORT	20" SCH STD SMLS PIPE x 1'-8 1/4" LG (SHOP CHECK)	SA-108-B
7	1	REPAD	10 5/8" OD x 3/8" PL x 8 3/4" ID	SA-516-70H
8	1	VORTEX BREAKER	3 7/8" OD x 3/8" PL x 4 3/4" WIDE (SEE DETAIL)	SA-516-70H
9	1	NAME PLATE	MUSCO STD NAME PLATE BRACKET c/w NAME PLATE	SA-36
10	1	GROUND LUG	2" x 1/4" PL x 2" LG (STD. DWG. CLIP-6)	SA-36
11	1	BASE PLATE	26" OD x 1/4" PL x 14" ID	SA-36
13	4	FLANGE	6" CL 150 SCH STD RFWN FLANGE	SA-105H
14	2	FLANGE	6" CL 150 RF BLIND FLANGE	SA-105H
15	1	FLANGE	4" CL 150 SCH STD RFWN FLANGE	SA-105H
16	3	FLANGE	2" CL 150 SCH XH RFWN FLANGE	SA-105H
17	1	FLANGE	2" CL 150 RFWN BLIND FLANGE TAPPED 3/4" NPT	SA-105H
18	2	FLANGE	2" CL 300 SCH XH RFWN FLANGE	SA-105H
21	1	PIPE	6" SCH STD SMLS PIPE x 4" LG	SA-108B
22	1	PIPE	6" SCH STD SMLS PIPE x 3 3/8" LG	SA-108B
23	2	PIPE	6" SCH STD SMLS PIPE x 3 5/8" LG	SA-108B
24	1	PIPE	4" SCH STD SMLS PIPE x 3 3/4" LG	SA-108B
25	2	PIPE	2" SCH XH SMLS PIPE x 4 1/8" LG	SA-108B
26	1	PIPE	2" SCH XH SMLS PIPE x 2 1/2" LG	SA-108B
27	1	PIPE	2" SCH XH SMLS PIPE x 10 1/2" LG	SA-108B
28	2	PIPE	2" SCH XH SMLS PIPE x 3 7/8" LG	SA-108B
30	1	ELBOW	6" SCH STD LRWB 45° ELBOW	SA-234 WPB
31	1	ELBOW	2" SCH XH LRWB 90° ELL	SA-234 WPB
32	1	GASKET	4" CL 150 x 1/8" THK FLEX GASKET	316 SS
33	2	GASKET	6" CL 150 x 1/8" THK FLEX GASKET	316 SS
34	1	GASKET	2" CL 150 x 1/8" THK FLEX GASKET	316 SS
35				
38	18	BOLTING	3/4" x 1/4" LG STUD c/w (2) NUTS EACH	SA-193
37	12	BOLTING	5/8" x 3 1/2" LG STUD c/w (2) NUTS EACH	SA-193



- NOTES:**
- 1) IMPACT TESTING: MD PER 100-20(1) (1 TO 5), UCS-00(a), UCS-00(c).
 - 2) ALL FLANGES DESIGNED TO ASME B16.5.
 - 3) USE WELDING PROCEDURE NPS-4 RS FOR ATTACHMENT WELDS WITH A 3/16" FILLET WELD UNLESS OTHERWISE NOTED.
 - 4) SA/CSA 040.21-4W MAY BE SUBSTITUTED FOR SA-538. SA-108B MAY BE SUBSTITUTED FOR SA-538.
 - 5) RADIOGRAPH LOOKS OF BURY WELDS.
 - 6) RADIUS ALL INTERNAL SHARP EDGES.
 - 7) WELD TOLERANCES: BEVEL ANGLE AS LISTED ± 5° ROOT OPENING 1/8" ± 1/8" LAND 1/16" ± 1/16"
 - 8) ULTRASONICALLY TEST ALL CATEGORY D WELDS PRIOR TO HYDROTESTING. ACCEPTANCE AS PER ASME SECTION VIII DIVISION 1 APPENDIX 12.
 - 9) HARDNESS TESTING: THREE (3) SETS FOR EACH WELD PROCEDURE. A TEST SET CONSISTING OF ONE (1) SAMPLE TAKEN AT THE WELD AND BOTH SIDES OF WELD IN THE HAZ. MAXIMUM HARDNESS OF 225 BRINELL.
 - 10) HEAT TREATMENT: 80 MIN @ 1100F ± 25F
 - 11) SEE PDL FOR SPECIAL MATERIAL CHEMISTRY REQUIREMENTS.

MUSCO MANUFACTURING

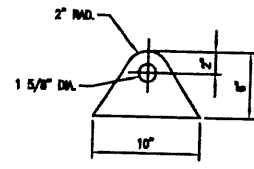
SWAN HILLS SYN FUEL L.P.
 c/o DPH FOCUS CORPORATION
 SOUR LP VERT. FLARE KNOCKOUT DRUM(V-7200)
 20" OD x 5'-0" S/S 50 PSIG @300F
 9703-D002 REV.0
 ED107-08-12-001-R3
 22485-200
 W022485-32-202A

REV	DATE	BY	APP	DESCRIPTION
A	12-NOV-08	NCS		ISSUED FOR APPROVAL

GA
 15

GENERAL NOTES

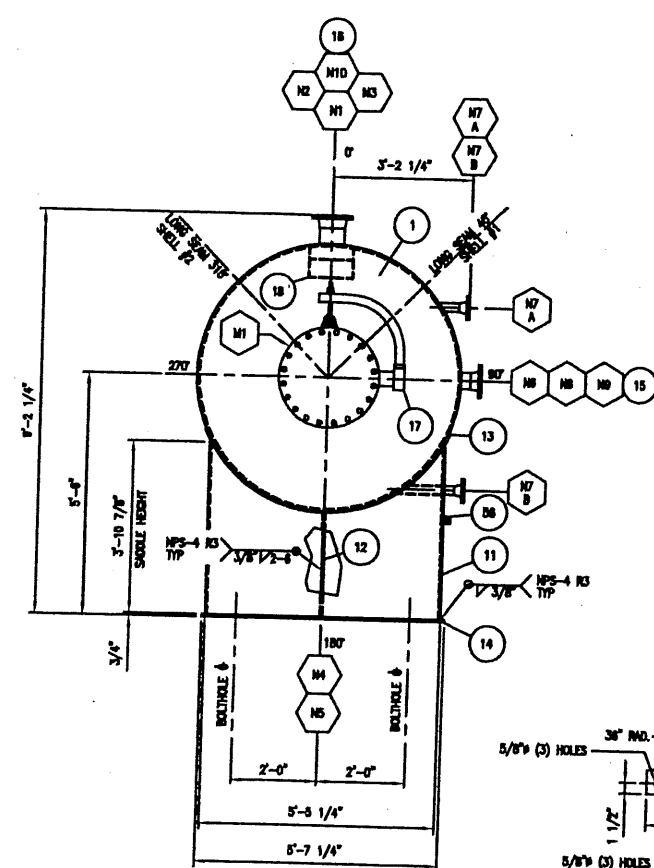
- 1) ALL FLANGES DESIGNED TO ASME B16.5
- 2) RADIUS ALL INTERNAL SHARP EDGES.
- 3) ULTRASONICALLY TEST ALL CATEGORY D WELDS PRIOR TO HYDROTESTING. ACCEPTANCE AS PER ASME SECTION VIII DIVISION 1 APPENDIX 12.
- 4) HARDNESS TESTING: THREE (3) SETS FOR EACH WELD PROCEDURE. A TEST SET CONSISTING OF ONE (1) SAMPLE TAKEN AT THE WELD AND BOTH SIDES OF WELD IN THE HAZ. MAXIMUM HARDNESS OF 225 BRINELL.
- 5) WELD JOINT TOLERANCES:
BEVEL ANGLE AS LISTED ± 3°
ROOT OPENING 1/16" ± 1/64"
LAND 1/16" ± 1/128"
- 6) USE WELD PROCEDURE NPS-4 RS FOR ATTACHMENT WELDS WITH A 3/16" FILLET WELD UNLESS OTHERWISE NOTED.
- 7) IMPACT TESTING: NO, PER UG-200(f) (1 TO 5), UCS-80(c).
- 8) HEAT TREATMENT: 80 MIN. @ 1100°F ± 25°F
- 9) SEE PDL FOR SPECIAL MATERIAL CHEMISTRY REQUIREMENTS.
- 10) VESSEL SURFACES SUCH AS THE INSULATED SHELL THAT ARE NOT VISIBLE WILL NOT HAVE THE SECOND COAT.
- 11) INSULATION ONLY ON THE PORTION OF THE VESSEL THAT IS OUTSIDE THE BUILDING. NOZZLES, ATTACHMENTS OR SUPPORTS ARE NOT TO BE INSULATED.



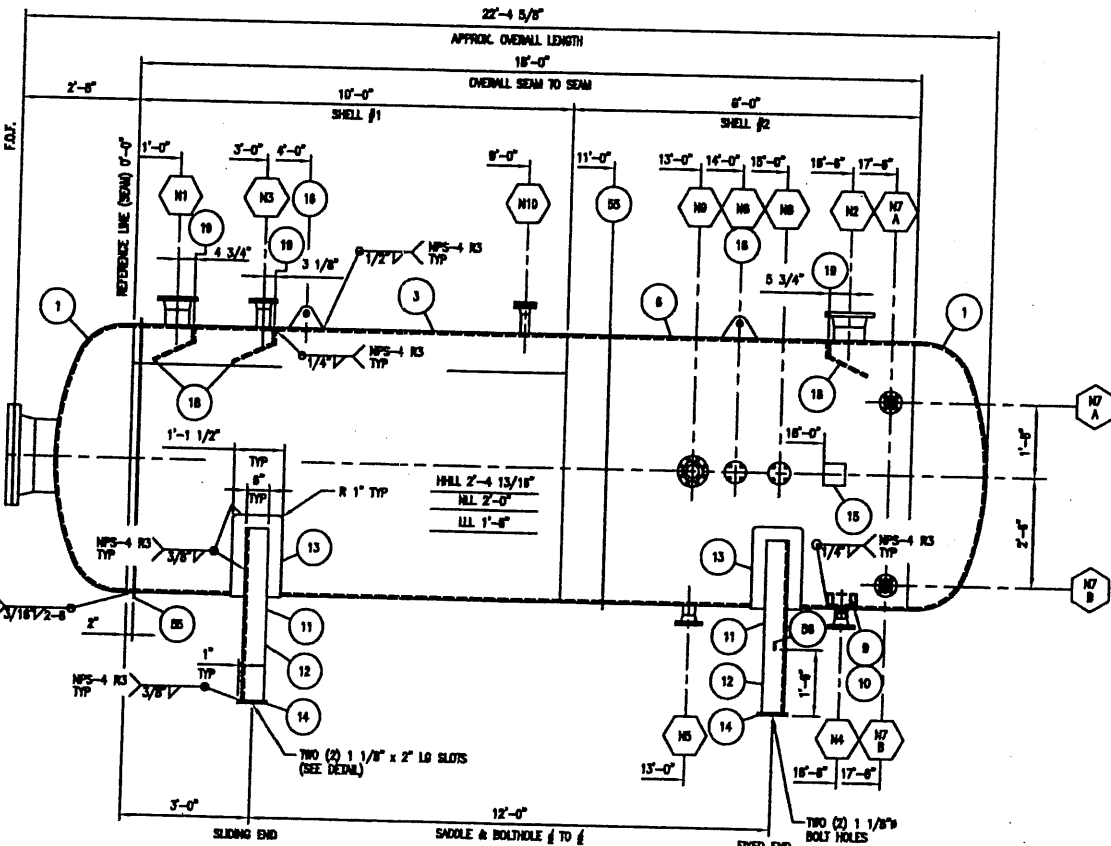
16 LEFT LUG DETAIL
SCALE: 1 1/2" = 1'-0"

MATERIAL LIST				
ITEM	QTY.	PART	DESCRIPTION	MATERIAL
40	1	PIPE	2" SCH 100 SMLS PIPE x 8 5/8" LG	SA-333-8
41	1	PIPE	2" SCH 100 SMLS PIPE x 1'-5 3/4" LG	SA-333-8
42	1	PIPE	2" SCH 180 SMLS PIPE x 6" LG	SA-333-8
43	2	PIPE	2" SCH 180 SMLS PIPE x 3 3/4" LG	SA-333-8
44				
45				
46				
47	1	GASKET	20" CL 150 RF x 1/8" THK FLEX GASKET	318 SS
48	1	GASKET	4" CL 150 RF x 1/8" THK FLEX GASKET	318 SS
49	3	GASKET	2" CL 150 RF x 1/8" THK FLEX GASKET	318 SS
50				
51	20	BOLTING	1 1/8" x 8 1/4" LG STUD c/w (2) NUTS EACH	318 SS
52	20	BOLTING	5/8" x 3 1/2" LG STUD c/w (2) NUTS EACH	318 SS
53				
54				
55	2	INSUL./BLDG RING	7'-5 1/4" OD x 1/4" PL x 7'-1 1/4" ID (CUT IN 3 PCS.)	SA-518 Gr. 70 H
56	1	GROUND LUG	2" x 1/4" PL x 2" LG (STD DRG. CLIP-0)	SA-36

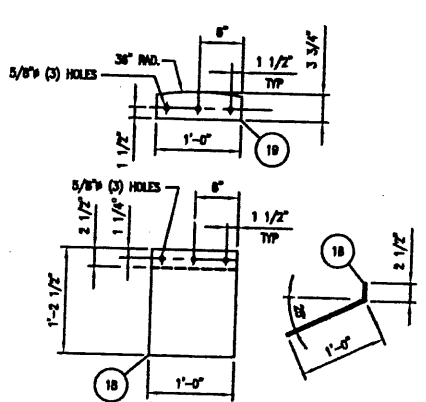
NOZZLE SCHEDULE										
TAG	SIZE	RATING	TYPE		SERVICE	NOZZLE SCH	REFWD	PROJECTION		ITEM NUMBER
			EXTERNAL	INTERNAL				V/S	O/S	
N1	8"	CL 150	RFWN	-	ONS INLET	SCH 10	N/A	5/8"	7 5/8"	24,38
N2	8"	CL 150	RFWN	-	ONS OUTLET	SCH 10	N/A	5/8"	7 5/8"	24,35
N3	3"	CL 150	RFWN	-	CRD INLET	SCH 180	N/A	-	7 5/8"	27,38
N4	3"	CL 150	RFWN	-	CRD INLET	SCH 180	N/A	FLUSH	5 3/8"	27,38
N5	3"	CL 150	RFWN	-	LIQUID DRAIN	SCH 180	N/A	FLUSH	5 3/8"	27,38
N6	2"	CL 150	RFWN	-	TR c/w 3/4" NPT TAPPED BLIND	SCH 180	N/A	-	5 3/8"	28,31,43,46,52
N7A	2"	CL 300	RFWN	-	INSTRUMENT BRIDLE	SCH 100	N/A	-	SHOWN	28,40
N7B	2"	CL 300	RFWN	-	INSTRUMENT BRIDLE	SCH 100	N/A	-	SHOWN	28,41
N8	2"	CL 150	RFWN	-	FI c/w 1/2" NPT TAPPED BLIND	SCH 180	N/A	-	5 3/8"	28,31,43,46,52
N9	4"	CL 150	RFWN	-	LSH	SCH 180	N/A	-	5 3/8"	25,37,46,52
N10	2"	CL 150	RFWN	-	VENT c/w BLIND	SCH 180	N/A	-	7 5/8"	28,30,42,46,52
M1	20"	CL 150	RFWN	-	MANNING c/w BLIND & DWIT	SCH STD	-	-	SHOWN	17,21,22,34,47,51



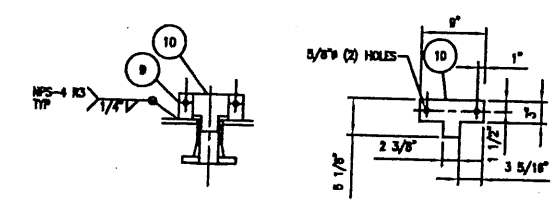
SECTION 'A-A'



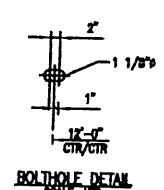
ELEVATION



INLET DEFLECTOR DETAIL
SCALE: 2" = 1'-0"



VORTEX BREAKER DETAIL
SCALE: 2" = 1'-0"



BOLT HOLE DETAIL
SCALE: 1/8" = 1'-0"

DESIGN DATA			
CRN IN THE PROVINCE OF ALBERTA, CODE: ASME SECTION VIII, DIV. 1, 2007 EDITION			
MA.M.P.: 50 PSIG	MAX. DESIGN TEMP.: 572°F	YES	
14.8 PSIG	U1 STAMP:	YES	
FULL (RT-1)	STRESS RELIEF:	YES, NOTE 8	
PER UG-11(a)	SHIPPING WEIGHT:	14,100 LBS.	
(100% OF BUTT WELDS)	VOLUME:	676.5 CU. FT.	
75 PSIG	CORROSION ALLOWANCE:	1/8"	
HYDROTEST:	SHELL JOINT EFFICIENCY:	1.0	
80,100 LBS.	MAX. ALLOWABLE STRESS:	20,000	
HEAD TYPE:	HEAD JOINT EFFICIENCY:	2:1	
HEAD THICKNESS (MIN.):	MAX. ALLOWABLE STRESS:	20,000	
SA-518 Gr. 70 H	SHELL THICKNESS:	0.2825" (0.2825" min)	
SA-518 Gr. 70 H	HEAD THICKNESS:	0.2825"	
72" ID	SERVICE:	SOUR	
72" ID	MAX. PARTICLE TESTING:	NONE	
-507 @ 50 PSIG	ULTRASONIC TESTING:	SEE NOTE 3	
	HARDNESS TEST:	SEE NOTE 4	
SURFACE PREP. - INTERNAL: SANDBLAST CLEANING PER SSPC-SP6			
INTERNAL COATING: TWO (2) COATS OF DEVCO 253 (EACH COAT 4-8 MILS DFT)			
SURFACE PREP. - EXTERNAL: SANDBLAST CLEANING PER SSPC-SP6			
EXTERNAL COATING: ONE (1) COAT DEVCO 253 (EACH COAT 2-4 MILS DFT)			
INSULATION: 2" THK MINERAL WOOL INSULATION c/w .020 ALUMINUM AND PAINTED VAPOR BARRIER (NOTE 11)			

MATERIAL LIST				
ITEM	QTY.	PART	DESCRIPTION	MATERIAL
1	2	HEAD	72" ID x 5/8" THK 2:1 SE HEAD c/w 2" SF	SA-518 Gr. 70 H
3	1	SHELL #1	72" ID x 5/8" THK x 10'-0" LG	SA-518 Gr. 70 H
4	1	SHELL #2	72" ID x 5/8" THK x 8'-0" LG	SA-518 Gr. 70 H
5	1	CLIP	2" x 3/8" PL x 3 1/2" LG (SEE DETAIL)	SA-518 Gr. 70 H
10	1	VORTEX BREAKER	5 1/8" x 3/8" PL x 6" LG (SEE DETAIL)	SA-36
11	2	SADDLE	3'-10 7/8" x 1/2" PL x 6'-3 1/4" LG (FILE: 10486)	SA-36
12	2	SADDLE STIFFENER	5 1/2" x 1/2" PL x 2'-4 1/4" LG	SA-36
13	2	WEAR PLATE	13 1/2" x 3/8" PL x 7'-2" LG	SA-518 Gr. 70 H
14	2	NAME PLATE	8" x 3/4" PL x 5'-7 1/4" LG	SA-36
15	1	NAME PLATE	STD NAME PLATE BRACKET c/w NAME PLATE	SA-36
16	2	LEFT LUG	8" x 3/4" THK x 10" LG (FILE: 2840)	SA-518 Gr. 70 H
17	1	MANNING DWIT	20" CL 150 MANNING DWIT (DRG. W22485-32-201)	SA-518 Gr. 70 H
18	3	INLET DEFLECTOR	1'-0" x 3/8" PL x 1'-2 1/2" LG (HEAD AS PER DETAIL)	SA-36
19	3	INLET DEF. CLIP	5 3/4" x 3/8" PL x 1'-0" LG (FILE: 10487)	SA-518 Gr. 70 H
20				
21	1	FLANGE	20" CL 150 RF BLIND FLANGE	SA-350-LF2 CL.1
22	1	FLANGE	20" CL 150 SCH STD RFWN FLANGE	SA-350-LF2 CL.1
23	1	FLANGE	8" CL 150 SCH 10 RFWN FLANGE	SA-350-LF2 CL.1
24	1	FLANGE	8" CL 150 SCH 10 RFWN FLANGE	SA-350-LF2 CL.1
25	1	FLANGE	4" CL 150 SCH 180 RFWN FLANGE	SA-350-LF2 CL.1
26				
27	3	FLANGE	3" CL 150 SCH 180 RFWN FLANGE	SA-350-LF2 CL.1
28	3	FLANGE	2" CL 150 SCH 180 RFWN FLANGE	SA-350-LF2 CL.1
29	2	FLANGE	2" CL 300 SCH 100 RFWN FLANGE	SA-350-LF2 CL.1
30	1	FLANGE	2" CL 150 RF BLIND FLANGE	SA-350-LF2 CL.1
31	1	FLANGE	2" CL 150 RF x 1/2" NPT BLIND FLANGE	SA-350-LF2 CL.1
32	1	FLANGE	2" CL 150 RF x 3/4" NPT BLIND FLANGE	SA-350-LF2 CL.1
33				
34	1	PIPE	20" SCH STD SMLS PIPE x 7 1/2" LG	SA-333-8
35	1	PIPE	8" SCH 10 SMLS PIPE x 5 1/4" LG	SA-333-8
36	1	PIPE	8" SCH 10 SMLS PIPE x 5 5/8" LG	SA-333-8
37	1	PIPE	4" SCH 180 SMLS PIPE x 3 1/4" LG	SA-333-8
38	1	PIPE	3" SCH 180 SMLS PIPE x 3 3/4" LG	SA-333-8
39	2	PIPE	5" SCH 180 SMLS PIPE x 3 1/2" LG	SA-333-8

MUSCO MANUFACTURING

SWAN HILLS SYNUELS L.P.
c/o DPH FOCUS CORPORATION
SOUR HP HORIZONTAL 2 PHASE FLARE KNOCK OUT (V-7100)
72" ID x 18'-0" SEAM/SEAM x 50 PSIG @ 572°F

9703-D002 REV.0

ED107-08-12-001-R3

22485-200

W22485-32-200A

REVISIONS	
A	7-NOV-08 RGS ISSUED FOR APPROVAL
B	1/2" = 1'-0"
C	7-NOV-08