

PLAN VIEW
SCALE: 1:30

LINEHEATER DESIGN DATA	
HEAT MEDIUM REQUIREMENT:	351.75 FT ³
PAINT:	INSULATED - (1) COAT CLOVERDALE CLOVACOAT UNINSULATED - (2) COATS CLOVERDALE CLOVACOAT 300 EPOXY ENAMEL, WARM GREY STACK - HIGH HEAT BLACK
SURFACE PREPARATION:	SSPC-SP6-63 (COMMERCIAL BLAST)
INSULATION:	1 1/2" MICROFLEX w/ 0.020 STUCCO EMBOSSED TYPE 1 POLYSURLUN ALUMINUM CLADING c/w SS BANDING

SHIPPING DATA	
OVERALL HEIGHT	9' - 8 1/2" ¹
OVERALL LENGTH	13' - 11 1/2"
OVERALL WIDTH	7' - 11 1/2"
APPROX. WEIGHT	24,500 LBS

- NOTES**
- 24 oz. PNEUMATIC TEST REQUIRED ON SHELL & FIRE TUBE.
 - PIPE SUPPORTS WHERE REQUIRED.
 - SHIP LOOSE ITEMS TO BE BOXED AND SEALED PRIOR TO SHIPMENT.
 - PLUG ALL OUTLETS PRIOR TO SHIPMENT.

DOCUMENT NO.	DESCRIPTION	REV	DATE	BY	CHK	APP	
		1	2010.12.07	JHK			REVISED AS PER RFDC #00323
102177	COIL ASSEMBLY	0	2010.11.04	JHK	GH	CF	ISSUED FOR CONSTRUCTION
101897-4	CNC CUTTING PATTERN	C	2010.10.29	CW	-	-	RE-ISSUED FOR APPROVAL
101897-2	ASSEMBLY	B	2010.10.26	CW	-	-	RE-ISSUED FOR APPROVAL
101897-1	PIPING AND INSTRUMENTATION DIAGRAM	A	2010.10.20	CW	-	-	ISSUED FOR APPROVAL
	REFERENCE DRAWINGS						DRAWING REVISIONS

ISSUED FOR CONSTRUCTION

SIGNED: _____

DATE: _____

W.O.: _____

S.O.: _____

ALL DIMENSIONS IN INCHES

NWP INDUSTRIES INC.
Total oilfield supply.

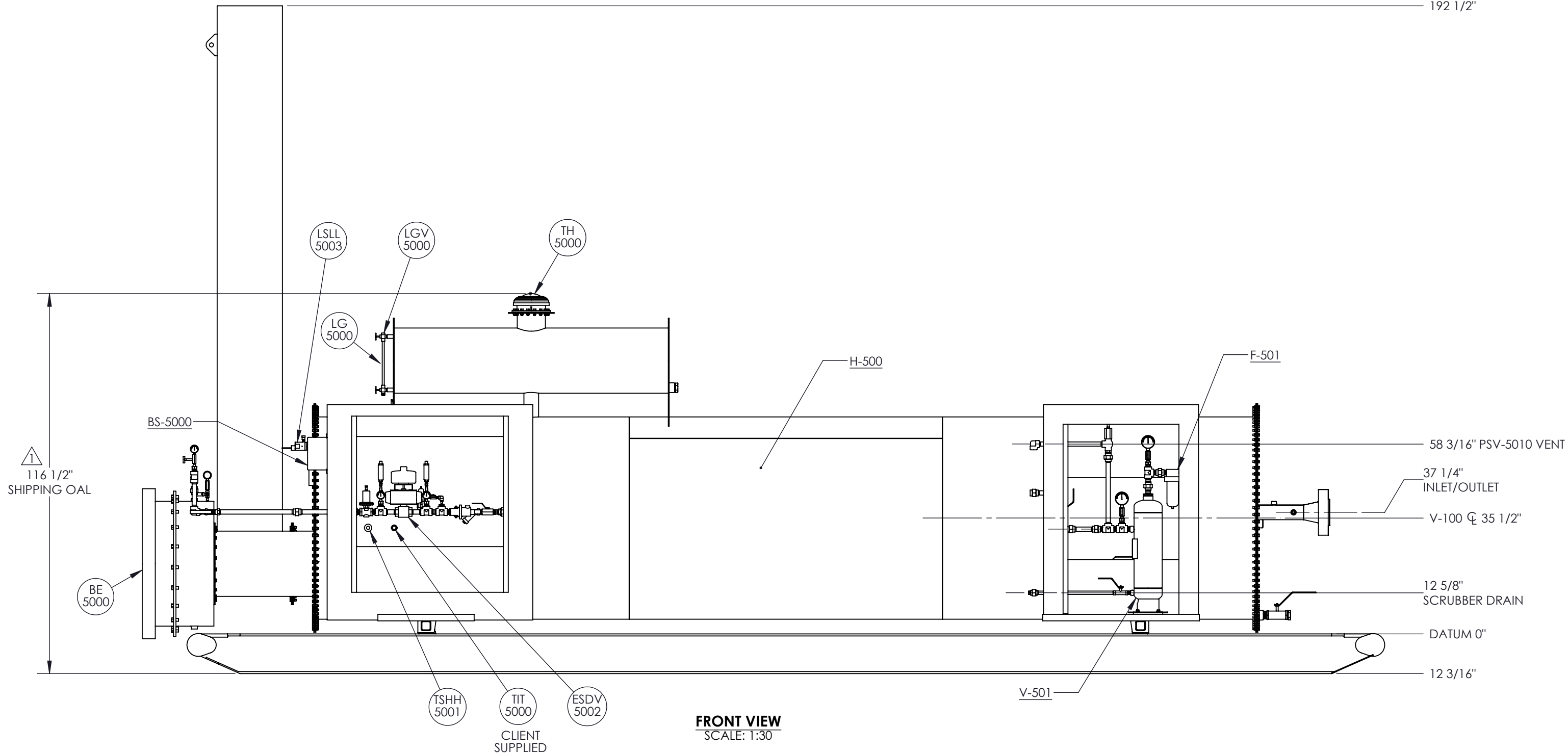
P.O. BOX 6280, INNISFAIL, AB T4G 1S9
PH: (403) 227-4100 FAX: (403) 227-4102

THIS DRAWING IS PROPERTY OF NWP INDUSTRIES INC. AND MAY NOT BE REPRODUCED WITHOUT PERMISSION. THIS DRAWING MUST BE RETURNED UPON REQUEST.

APACHE CANADA LTD
2.5 MMBTU LINE HEATER PACKAGE
c/w 4" 2500 ANSI RTJ 16 PASS COIL
20" FIRE TUBE/STACK, FG SCRUBBER
GENERAL ARRANGEMENT

DWN: CW	CHK: GH	APP: CF
DATE: 2010.10.20	DATE: 2010.11.18	DATE: 2010.11.18
SCALE: 1:30	DWG: 101897	REV: 1
SHEET: 1 OF 3		

192 1/2"



FRONT VIEW
SCALE: 1:30

DOCUMENT NO.	DESCRIPTION	REV	DATE	BY	CHK	APP	
		1	2010.12.07	JHK			REVISED AS PER RFDC #00323
102177	COIL ASSEMBLY	0	2010.11.04	JHK	GH	CF	ISSUED FOR CONSTRUCTION
101897-4	CNC CUTTING PATTERN	C	2010.10.29	CW	-	-	RE-ISSUED FOR APPROVAL
101897-2	ASSEMBLY	B	2010.10.26	CW	-	-	RE-ISSUED FOR APPROVAL
101897-1	PIPING AND INSTRUMENTATION DIAGRAM	A	2010.10.20	CW	-	-	ISSUED FOR APPROVAL
	REFERENCE DRAWINGS						DRAWING REVISIONS

ISSUED FOR CONSTRUCTION


SIGNED: _____

DATE: _____

W.O.: _____

S.O.: _____

ALL DIMENSIONS IN INCHES



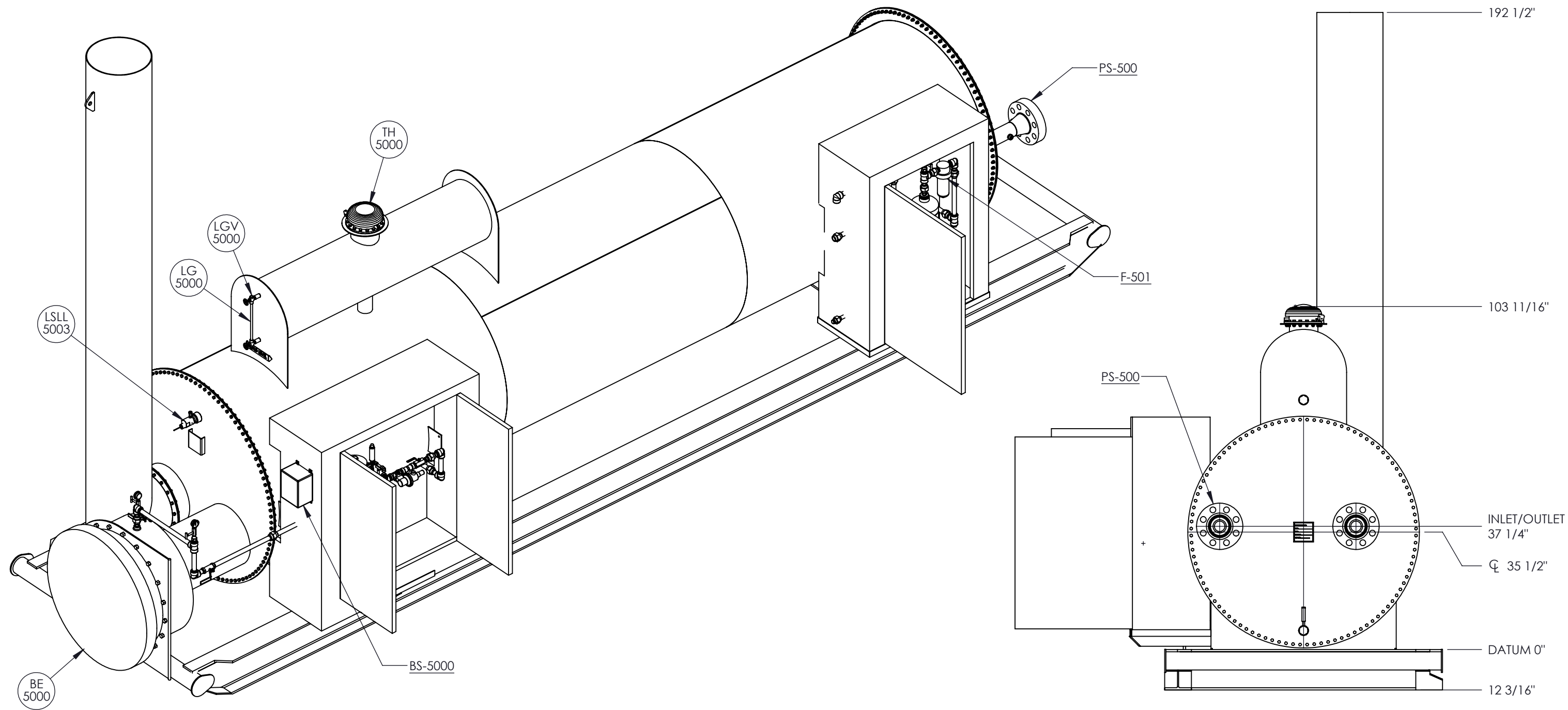
NWP
INDUSTRIES INC.
Total oilfield supply.

P.O. BOX 6280, INNISFAIL, AB T4G 1S9
PH: (403) 227-4100 FAX: (403) 227-4102

THIS DRAWING IS PROPERTY OF NWP INDUSTRIES INC. AND MAY NOT BE REPRODUCED WITHOUT PERMISSION. THIS DRAWING MUST BE RETURNED UPON REQUEST.

APACHE CANADA LTD
2.5 MMBTU LINE HEATER PACKAGE
c/w 4" 2500 ANSI RTJ 16 PASS COIL
20" FIRETUBE/STACK, FG SCRUBBER
GENERAL ARRANGEMENT

DWN: CW	CHK: GH	APP: CF
DATE: 2010.10.20	DATE: 2010.11.18	DATE: 2010.11.18
SCALE: 1:30	DWG: 101897	REV: 1
SHEET: 2 OF 3		



ISOMETRIC VIEW
SCALE: 1:30

END VIEW
SCALE: 1:30

DOCUMENT NO.	DESCRIPTION	REV	DATE	BY	CHK	APP	
		1	2010.12.07	JHK			REVISED AS PER RFDC #00323
102177	COIL ASSEMBLY	0	2010.11.04	JHK	GH	CF	ISSUED FOR CONSTRUCTION
101897-4	CNC CUTTING PATTERN	C	2010.10.29	CW	-	-	RE-ISSUED FOR APPROVAL
101897-2	ASSEMBLY	B	2010.10.26	CW	-	-	RE-ISSUED FOR APPROVAL
101897-1	PIPING AND INSTRUMENTATION DIAGRAM	A	2010.10.20	CW	-	-	ISSUED FOR APPROVAL
	REFERENCE DRAWINGS						DRAWING REVISIONS

ISSUED FOR CONSTRUCTION

SIGNED: _____

DATE: _____

W.O.: _____

S.O.: _____

ALL DIMENSIONS IN INCHES



P.O. BOX 6280, INNISFAIL, AB T4G 1S9
PH: (403) 227-4100 FAX: (403) 227-4102

THIS DRAWING IS PROPERTY OF NWP INDUSTRIES INC.
AND MAY NOT BE REPRODUCED WITHOUT PERMISSION.
THIS DRAWING MUST BE RETURNED UPON REQUEST.

APACHE CANADA LTD
2.5 MMBTU LINE HEATER PACKAGE
c/w 4" 2500 ANSI RTJ 16 PASS COIL
20" FIRETUBE/STACK, FG SCRUBBER
GENERAL ARRANGEMENT

DWN: CW	CHK: GH	APP: CF
DATE: 2010.10.20	DATE: 2010.11.18	DATE: 2010.11.18
SCALE: 1:30	DWG: 101897	REV: 1
SHEET: 3 OF 3		