

Apache

CANADA LTD

PATRY

c-11-J/94-0-5

CENTRAL DEHY. FACILITY

PROJECT No.: 100-10-005

AS-BUILT

PROJECT MANAGEMENT BY:



805 - 1331 MACLEOD TRAIL SE

CALGARY (ALBERTA)

CANADA T2G 0K3

PHONE: 403 777-2477 FAX: 403 777-2479

WWW.GENIVAR.COM

ZONE NUMBER: 01

DRAWING INDEX



REVISIONS SHOWN
SHADED

						CLIENT:	APACHE CANADA LTD.		
REV.	DESCRIPTION	BY	DATE	CHD	APP	PROJECT NAME:	PATRY CENTRAL DEHY.		
A	ISSUED FOR INFORMATION	TD	10.12.16			LSD:	c-11-J/94-O-5		
						ZONE #:	01	REVISION:	A
						PREPARED BY:	T. DREBIT	DATE:	10.12.08
						CHECKED BY:		DATE:	
						APPROVED BY:		DATE:	
						FILE LOCATION:	H:\Drafting\Clients\Apache\Patry\01(c-11-J-94-O-5)\Misc		

DRAWING NO.	PROJECT	REV	REV. DATE	DRAWING TITLE
DRAWING INDEX	100-10-005	A	10.12.16	DRAWING INDEX
TEAL-STD-LS-100	-	C	10.10.14	STANDARD MECHANICAL DRAWING PACKAGE LEAD SHEET (Sht. 1 of 3)
TEAL-STD-LS-101	-	C	10.10.14	STANDARD MECHANICAL DRAWING PACKAGE LEAD SHEET (Sht. 2 of 3)
TEAL-STD-LS-101-A	-	D	10.10.28	STANDARD MECHANICAL DRAWING PACKAGE LEAD SHEET (Sht. 3 of 3)
TEAL-STD-LS-102	-	D	10.10.28	STANDARD SHOES, GUIDES, STOPS AND DUMMY LEGS FOR CARBON STEEL PIPE
TEAL-STD-LS-102-A	-	D	10.10.28	STANDARD CLAMPS AND SHOES FOR CARBON STEEL PIPE
A028072	-	1	10.04.15	SKETCH PLAN SHOWING PROPOSED CENTRAL GAS DEHY, SITE c-11-J
A1-PA-00-GS-01	100-10-005	1	11.04.11	GATHERING SYSTEM SCHEMATIC
A1-PA-01-PF-01	100-10-005	1	11.06.06	PROCESS FLOW DIAGRAM PAGE 1 of 2
A1-PA-01-PF-02	100-10-005	1	11.06.06	PROCESS FLOW DIAGRAM PAGE 2 of 2
A1-PA-01-PP-01	100-10-005	1	11.06.06	PLOT PLAN
d-34-K-94-O-5	100-10-005	1	11.06.06	LINE LIST PAGE 1 of 2
d-34-K-94-O-5	100-10-005	1	11.06.06	LINE LIST PAGE 2 of 2
PIPING AND INSTRUMENTATION DIAGRAM				
A1-PA-01-M-01A	100-10-005	1	11.06.06	INLET AREA - PIPING & INSTRUMENTATION DIAGRAM
A1-PA-01-M-02	100-10-005	1	11.06.06	INLET GAS HEADER - PIPING & INSTRUMENTATION DIAGRAM
A1-PA-01-M-03A	100-10-005	1	11.06.06	INLET SEPARATOR (V-100) - PIPING & INSTRUMENTATION DIAGRAM
A1-PA-01-M-04	100-10-005	1	11.06.06	DEHY, INLET HEADER - PIPING & INSTRUMENTATION DIAGRAM
A1-PA-01-M-05A	100-10-005	1	11.06.06	DEHY, (T-500) - PIPING & INSTRUMENTATION DIAGRAM SHEET 1 of 2
A1-PA-01-M-05B	100-10-005	1	11.06.06	DEHY, (T-500) - PIPING & INSTRUMENTATION DIAGRAM SHEET 2 of 2
A1-PA-01-M-06	100-10-005	1	11.06.06	SALES GAS HEADER - PIPING & INSTRUMENTATION DIAGRAM
A1-PA-01-M-07	100-10-005	1	11.06.06	SALES GAS METER - PIPING & INSTRUMENTATION DIAGRAM
A1-PA-01-M-08	100-10-005	1	11.06.06	SALES AREA - PIPING & INSTRUMENTATION DIAGRAM
A1-PA-01-M-09	100-10-005	1	11.06.06	FUEL GAS HEADER - PIPING & INSTRUMENTATION DIAGRAM
A1-PA-01-M-10	100-10-005	1	11.06.06	INST. AIR/GENSET BUILDING (IA-900) & INST. AIR HEADER - P&ID
A1-PA-01-M-11	100-10-005	1	11.06.06	PRODUCED WATER HEADER - PIPING & INSTRUMENTATION DIAGRAM
A1-PA-01-M-12A	100-10-005	1	11.06.06	PROD. WATER TANKS (TK-600 & TK-610) - PIPING & INSTRUMENTATION DIAGRAM
A1-PA-01-M-13A	100-10-005	1	11.06.06	STILL COLUMN VAPOUR TANK (TK-660) - PIPING & INSTRUMENTATION DIAGRAM
A1-PA-01-M-14	100-10-005	1	11.06.06	FLARE HEADER - PIPING & INSTRUMENTATION DIAGRAM
A1-PA-01-M-15	100-10-005	1	11.06.06	KNOCK-OUT DRUM (V-700) & FLARE STACK (FL-700) - P&ID
PIPING DRAWINGS				
A1-PA-01-K-01	100-10-005	A	10.09.27	KEY PLAN
A1-PA-01-P-01	100-10-005	0	10.12.16	INLET RISER AREA - PIPING LAYOUT
A1-PA-01-P-02	100-10-005	0	10.12.16	INLET SEPARATOR (V-100) AREA - PIPING LAYOUT
A1-PA-01-P-02A	100-10-005	0	10.12.16	INLET SEPARATOR (V-100) - PIPING SECTION
A1-PA-01-P-03	100-10-005	0	10.12.16	MAIN PIPE RACK - PIPING LAYOUT
A1-PA-01-P-04	100-10-005	0	10.12.16	DEHY, (T-500) AREA - PIPING LAYOUT
A1-PA-01-P-04A	100-10-005	0	10.12.16	DEHY, (T-500) - PIPING SECTION
A1-PA-01-P-05	100-10-005	0	10.12.16	DEHY, (T-500) AREA - PIPING LAYOUT
A1-PA-01-P-06	100-10-005	0	10.12.16	STILL COLUMN VAPOUR TANK (TK-660) AREA - PIPING LAYOUT
A1-PA-01-P-07	100-10-005	0	10.12.16	SALES GAS METER SKID (M-150) AREA - PIPING LAYOUT
A1-PA-01-P-07A	100-10-005	0	10.12.16	STILL COLUMN VAPOUR TANK (TK-660) - PIPING SECTION
A1-PA-01-P-08	100-10-005	0	10.12.16	MAIN PIPE RACK AREA - PIPING LAYOUT
A1-PA-01-P-09	100-10-005	0	10.12.16	SALES AREA - PIPING LAYOUT
A1-PA-01-P-10	100-10-005	0	10.12.16	MAIN PIPE RACK AREA - PIPING LAYOUT
A1-PA-01-P-11	100-10-005	0	10.12.16	INST. AIR/GENSET BUILDING (IA-900) - PIPING LAYOUT
A1-PA-01-P-11A	100-10-005	0	10.12.16	INST. AIR/GENSET BUILDING (IA-900) - PIPING SECTION

DRAWING NO.	PROJECT	REV	REV. DATE	DRAWING TITLE
PIPING DRAWINGS CONTINUED				
A1-PA-01-P-12	100-10-005	0	10.12.16	PIPE RACK TO PROD. WATER TANKS - PIPING LAYOUT
A1-PA-01-P-13	100-10-005	0	10.12.16	PROD. WATER TANKS (TK-600/TK-610) AREA - PIPING LAYOUT
A1-PA-01-P-14	100-10-005	0	10.12.16	PIPE RACK TO F.W.K.O. DRUM - PIPING LAYOUT
A1-PA-01-P-15	100-10-005	0	10.12.16	KNOCK-OUT DRUM (V-700) - PIPING LAYOUT
A1-PA-01-P-16	100-10-005	0	10.12.16	FLARE HEADER PIPING AREA - PIPING LAYOUT
A1-PA-01-P-17	100-10-005	0	10.12.16	FLARE STACK (FL-700) - PIPING LAYOUT
A1-PA-01-P-17A	100-10-005	0	10.12.16	FLARE STACK (FL-700) - PIPING SECTION
A1-PA-01-P-18	100-10-005	0	10.12.16	SPECTRA TIE-IN AREA - PIPING LAYOUT
CIVIL DRAWINGS				
A1-PA-01-C-101	100-10-005	0	10.11.25	CENTRAL DEHYDRATOR SITE - STRIPPING PLAN
A1-PA-01-C-102	100-10-005	0	10.11.25	CENTRAL DEHYDRATOR SITE - STRIPPING PLAN
A1-PA-01-C-103	100-10-005	0	10.11.25	CENTRAL DEHYDRATOR SITE - SITE GRAVEL DETAILS
A1-PA-01-C-01	100-10-005	0	10.12.14	E/W AND N/S PIPE RACK - PILE LAYOUT
A1-PA-01-C-02	100-10-005	0	10.12.14	N/S AND FLARE AREA - PILE LAYOUT
A1-PA-01-C-03	100-10-005	0	10.12.14	INLET SEPARATOR (V-100) - PILE LAYOUT
A1-PA-01-C-04	100-10-005	0	10.12.14	DEHY, (T-500) - PILE LAYOUT
A1-PA-01-C-05A	100-10-005	0	10.12.14	750bbi PRODUCED WATER TANKS (TK-600/TK-610) - PILE LAYOUT
A1-PA-01-C-05B	100-10-005	0	10.12.14	750bbi PRODUCED WATER TANKS (TK-620/TK-630) - PILE LAYOUT
A1-PA-01-C-06	100-10-005	0	10.12.14	STILL COLUMN VAPOUR TANK (TK-660) - PILE LAYOUT
A1-PA-01-C-07	100-10-005	0	10.12.14	KNOCK-OUT DRUM (V-700) - PILE LAYOUT
A1-PA-01-C-08	100-10-005	0	10.12.14	GENSET & INSTRUMENT AIR SKID - PILE LAYOUT
A1-PA-01-C-09	100-10-005	0	10.12.14	SALES GAS METER SKID (M-150) - PILE LAYOUT
A1-PA-01-C-10	100-10-005	0	10.12.14	MCC/OFFICE BUILDING - PILE LAYOUT
STRUCTURAL DRAWINGS				
A1-PA-01-ST-01	100-10-005	0	10.12.17	PIPE SUPPORT DETAILS SHEET 1 of 4
A1-PA-01-ST-02	100-10-005	0	10.12.17	PIPE SUPPORT DETAILS SHEET 2 of 4
A1-PA-01-ST-03	100-10-005	0	10.12.17	PIPE SUPPORT DETAILS SHEET 3 of 4
A1-PA-01-ST-04	100-10-005	0	10.12.17	PIPE SUPPORT DETAILS SHEET 4 of 4
A1-PA-01-ST-05	100-10-005	0	10.12.20	STRUCTURAL STEEL NOTES
A1-PA-01-ST-06	100-10-005	0	10.12.17	150' COMMUNICATIONS TOWER STRUCTURAL STEEL SUPPORT
STANDARD AND TYPICAL DRAWINGS				
APA-TYP-PL-100	-	-	09.06.16	S-BEND SOUR RISER DETAIL FOR PIPE 324mm c/w VENT
APA-TYP-PIG-140P	-	-	10.10.25	900# ANSI, LOW TEMP., SOUR PIG RECEIVER DETAIL c/w ENCLOSURE
TEAL-STD-ST-150	-	-	05.06.10	L.H. OR R.H. SINGLE DOOR PLATFORM DETAILS
TEAL-STD-ST-151	-	-	05.06.10	DOUBLE DOOR - LONG AND SHORT STYLE PLATFORM DETAILS
TEAL-STD-ST-152	-	-	05.06.10	TYPICAL HANDRAIL DETAILS & PLATFORM PILE LOCATIONS

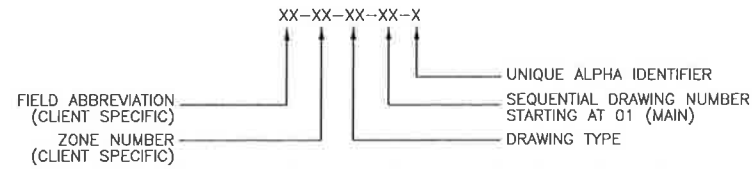
TEAL A1 SIZE TITLEBLOCK V.2

PLOTTED DATE: 6/17/2011 8:06:14 AM BY: TODD DREBIT

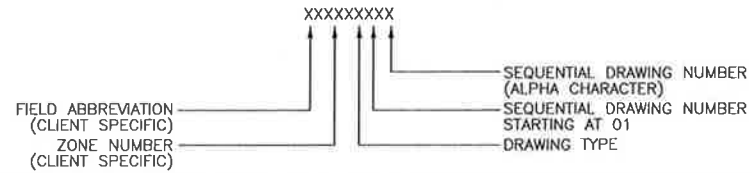
LAST SAVED DATE: 6/13/2011 9:51:37 AM BY: KATHY ROBERTS

H:\DRAFTING\STANDARDS\GENVAR\LEAD SHEETS\001STDLS001.DWG

DRAWING NUMBERING SYSTEM (EXCLUDING STANDARD DRAWINGS)



ELECTRONIC FILE NUMBERING SYSTEM (EXCLUDING STANDARD DRAWINGS)



DRAWING TYPES:

- A - AREA CLASSIFICATION, C - CIVIL, EA - ELECTRICAL AREA CLASSIFICATION, EL - ELECTRICAL CABLE & CONDUIT SCHEDULE, ELS - ELECTRICAL LAYOUTS, ES - ELECTRICAL SCHEMATICS, ESD - SHUTDOWN KEY, EW - ELECTRICAL WIRING, GS - GATHERING SYSTEM SCHEMATIC, GD - GATHERING SYSTEM DATA, GM - GATHERING SYSTEM MAP, K - KEY PLAN, LL - LINE LIST, LS - LEAD SHEET, M - PIPING AND INSTRUMENTATION DIAGRAM, MB - METER BLOCK DIAGRAM, P - PIPING PLANS AND SECTIONS, PF - PROCESS FLOW DIAGRAM, TL - TIE-IN LIST, SPF - SIMPLIFIED BLOCK DIAGRAM, PP - PLOT PLAN, J - INSTRUMENTATION, S - ISOMETRIC, TM - TOPOGRAPHIC MAP, TP - TYPICAL, U - UTILITY, ST - STRUCTURAL, CS - CONTROL SYSTEM SCHEMATIC

VALVE TAG IDENTIFICATION

PRESSURE CLASS/RATING

- 01 = 150 ANSI 150, 03 = 300 ANSI 300, 06 = 600 ANSI 600, 08 = 800 API 800, 09 = 900 ANSI 900, 15 = 1500 ANSI 1500/API 1500, 20 = 2000 WOG 2000 PSI, 25 = 2500 ANSI 2500, 30 = 3000 WOG 3000 PSI, 60 = 6000 WOG 6000 PSI, 99 = 10000 WOG 10000 PSI

VALVE TYPE

- B = BALL, C = CHECK, F = BUTTERFLY, G = GATE, L = GLOBE, N = NEEDLE

VALVE SIZE

60 - G 01 R 3 A

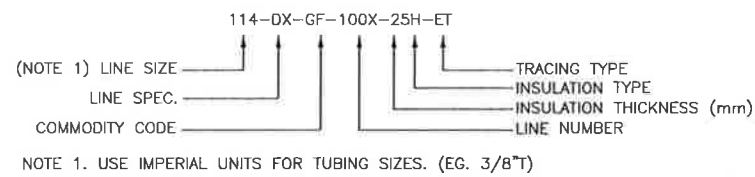
SERVICE (MATERIALS OPTIONS)

- 0 = UTILITY, 1 = NORMAL TEMP. SWEET SERVICE (>-28.9°C), 2 = NORMAL TEMP. SOUR SERVICE (>-28.9°C), 3 = LOW TEMP. SWEET SERVICE (>-45°C), 4 = LOW TEMP. SOUR SERVICE (>-45°C), 5 = CORROSIVE PROCESS WATER (ALUM. BRONZE or BODY PER NACE SPEC RP0475), 6 = CORROSIVE FLUIDS(SS), 7 = POLYVINYL CHLORIDE (PVC), 8 = FUTURE, 9 = PROJECT SPECIFIC DESCRIPTION

UNIQUE ALPHA IDENTIFIER

THIS IDENTIFIES FEATURES SUCH AS LEVER/GEAR OPERATOR, FULL/REGULAR PORT, TRUNNION MOUNTING ETC. AND WILL BE UNIQUE FOR EACH PIPING CLASS. FOR FLANGED BALL VALVES THE FOLLOWING APPLIES: A - REGULAR PORT, FLOATING BALL, LEVER OPERATOR, B - REGULAR PORT, TRUNNION MOUNTED BALL, LEVER OPERATOR, C - FULL PORT, FLOATING BALL, LEVER OPERATOR, D - FULL PORT, TRUNNION MOUNTED BALL, LEVER OPERATOR, E - REGULAR PORT, TRUNNION MOUNTED BALL, GEAR OPERATOR, F - FULL PORT, TRUNNION MOUNTED BALL, GEAR OPERATOR, G - REGULAR PORT, TRUNNION MOUNTED BALL, GEAR OPERATOR, DOUBLE BLOCK & BLEED, H - FULL PORT, TRUNNION MOUNTED BALL, GEAR OPERATOR, DOUBLE BLOCK & BLEED. FOR SOCKET WELD AND THREADED CHECK VALVES THE FOLLOWING APPLIES: A - HORIZONTAL LIFT - PISTON CHECK VALVES, B - SWING CHECK VALVES. FOR FLANGED CHECK VALVES THE FOLLOWING APPLIES: A - SWING CHECK VALVES, B - TILTING DISC CHECK VALVES, C - PISTON CHECK VALVES, D - PIGABLE SWING CHECK VALVES. FOR FLANGED GATE VALVES THE FOLLOWING APPLIES: A - HAND WHEEL OPERATOR, B - GEAR OPERATOR

LINE NUMBERING SYSTEM



LINE SPEC. DESCRIPTION

Table with columns: CLASS, SPEC., SERVICE. Lists various line specifications for different classes (150#, 300#, 600#, 900#, 1500#, 2500#) and services (SWEET HC, LEAN AMINE, SOUR PROCESS, etc.).

TABLE OF COMMODITY CODES

Table with columns: MAIN COMMODITY CODE, DESCRIPTION, LINE #. Lists commodity codes for GAS, LIQUID, INSTRUMENTATION, VENTS & DRAINS, WATER, UTILITY, and HEAT MEDIUM.

INSULATION TYPE

- H - HOT INSULATION, C - COLD INSULATION, PP - PERSONNEL PROTECTION

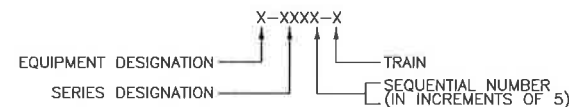
TRACING TYPE:

- ET - ELECTRICAL TRACED, GT - GLYCOL TRACED, J - JACKETED LINES, OT - HOT OIL TRACED, ST - STEAM TRACED

NOTE:

FOR ADDITIONAL NUMBERS ADD THE PREFIX 1,2,3,... ETC.

EQUIPMENT IDENTIFICATION



EQUIPMENT DESIGNATION

- B - AIR BLOWER or FAN, BF - BUILDING FAN, BH - BUILDING HEATER, D - DRIVER, E - HEAT EXCHANGER INCLUDING AIR, EF - EXCHANGERS, F - EXHAUST FAN, FL - FILTER, G - FLARE or VENT STACK GENERATOR (ELECTRIC), H - FIRED HEATER or BOILER, I - INCINERATOR, K - COMPRESSOR, M - MISC., P - PUMP, R - REACTOR OR CONVERTER, S - STORAGE TANK/KNOCK OUT, T - TANK, V - TOWER, UH - VESSEL UNIT HEATER

SERIES DESIGNATION

- 0-999 - INLET AREA/SALES, 1000 - INLET COMPRESSION, 2000 - SALES COMPRESSION, 3000 - DEHYDRATION UNITS, 4000 - PROCESSING UNITS, 5000 - PROCESSING UNITS, 6000 - PROCESSING UNITS, 7000 - UTILITY, 8000 - FLARE SYSTEM, 9000 - TANKS/STORAGE, * - INCLUDES VENDOR EQUIPMENT

ABBREVIATIONS:

- A/G - ABOVE GROUND, APPD - APPROVED, AS - AIR SUPPLY, ASSY - ASSEMBLY, ATM - ATMOSPHERE, BBE - BEVEL BOTH ENDS, BBL - BARREL, BCD - BOLT CIRCLE DIAMETER, BD - BLOWDOWN, BLD - BLIND, BTU - BRITISH THERMAL UNITS, BW - BUTT WELD, CALC - WT SPECIFIED BY ENGINEER, CC - CORROSION COUPON, CP - CORROSION PROBE, CS - CAST STEEL/CARBON STEEL, CSC - CAR SEAL CLOSED, CSO - CAR SEAL OPEN, C/W - COMPLETE WITH, DBB - DOUBLE BLOCK & BLEED, DP - DESIGN PRESSURE, DT - DESIGN TEMPERATURE, ES - ELECTRIC SUPPLY, ESD - EMERGENCY SHUTDOWN, ET - ELECTRICAL TRACE, F - FEMALE, FC - FAIL CLOSE, F/F - FITTING TO FITTING, FFSD - FLAME FAILURE SHUTDOWN, FT - FAIL INTERMEDIATE, FL - LOCKS IN LAST POSITION, FLC - FAILS IN LAST - DRIFTS CLOSED, FLG - FLANGE, FLO - FAILS IN LAST - DRIFTS OPEN, FO - FAIL OPEN, FP - FULL PORT, FS - FORGED STEEL, FW - FIELD WELD, GO - GEAR OPERATED, GS - GAS SUPPLY, GT - GLYCOL TRACE, HC - HYDROCARBON/HOSE CONNECTION, HLL - HIGH LIQUID LEVEL, HP - HORSE POWER, HPV - HIGH POINT VENT, HS - HYDRAULIC SUPPLY, HT - HEAT TRACE, HVP - HIGH VAPOUR PRESSURE, IA - INSTRUMENT AIR, IC - INTERNAL COMBUSTION, ID - INSIDE DIAMETER, IG - INSTRUMENT GAS, INJ. PT. - INJECTION POINT, I/P - CURRENT TO PNEUMATIC, I/S - INSIDE, LCB - LOW TEMP. STEEL CASING, LLL - LOW LIQUID LEVEL, LP - LOW POINT, LPD - LOW POINT DRAIN, LSD - LEGAL SUBDIVISION, M - MALE, MCC - MOTOR CONTROL CENTER, MFS - MECHANICAL FLOWSHEET, NC - NORMALLY CLOSED, NLL - NORMAL LIQUID LEVEL, NO - NORMALLY OPEN, NS - NITROGEN SUPPLY, NTS - NOT TO SCALE, OD - OUTSIDE DIAMETER, O/A - OVERALL, O/S - OUTSIDE, OS&Y - OUTSIDE STEM AND YOKE, PBE - PLAIN BOTH ENDS, PC - PURGE CONNECTION, PD - POSITIVE DISPLACEMENT, PFS - PROCESS FLOWSHEET, P/I - PNEUMATIC TO CURRENT, P/L - PIPELINE, PLC - PROGRAMMABLE LOGIC CONTROLLER, PO - PUMP OUT, PP - PLOT PLAN, PV&F - PIPE VALVES AND FITTINGS, RF - RAISED FACE, RFB - RAISED FACE BLIND, RFWN - RAISED FACE WELD NECK, RO - RESTRICTION ORIFICE, RP - REDUCED PORT, RTJ - RING TYPE JOINT, RTU - REMOTE TRANSMITTING UNIT, SC - SAMPLE CONNECTION, SCRD - SCREWED, S/D - SHUTDOWN, SG - SPECIFIC GRAVITY, SMLS - SEAMLESS, SO - STEAM OUT, SP - SET POINT, SS - STEAM SUPPLY, SST - STAINLESS STEEL, S/S - SEAM TO SEAM, ST - SOUR TRIM, SW - SOCKET WELD, TBE - THREADED BOTH ENDS, TB - TANK, THT - TIGHT SHUT-OFF, TSO - TANGENT TO TANGENT, T/T - HEAT TRACE, TW - THERMOWELL, UA - UNIT ALARM, U/G - UNDER GROUND, UNO - UNLESS NOTED OTHERWISE, WCB - NORMAL TEMPERATURE STEEL CASTING, WOG - WATER OIL GAS, WS - WATER SUPPLY, WT - WALL THICKNESS, 800 CL - 2000 PSIG, 1500 CL - 3600 PSIG, 2500 CL - 6000 PSIG

NPS/METRIC O.D. PIPE SIZE CONVERSION

Table with columns: NPS, mm, NPS, mm. Shows conversion between NPS and mm for various pipe sizes.

STEEL TUBING O.D.

Table with columns: INCHES, INCHES. Shows conversion between inches for different tubing sizes.

Table with columns: REFERENCE DWG. NO., REFERENCE DRAWINGS, REV., REVISION DESCRIPTION, PROJ. NO., BY, DATE, CHD, APPD. Contains revision history.

ENGINEER'S STAMP and PERMIT STAMP area. Includes a large box with the text 'ISSUED FOR INFORMATION'.

GENIVAR logo and company information. Includes address: 805 - 1331 MACLEOD TRAIL SE, CALGARY (ALBERTA), CANADA T2G 0K3. Phone: 403 777-2477. Website: WWW.GENIVAR.COM. Also includes 'GENIVAR STANDARD' and 'MECHANICAL DRAWING PACKAGE LEAD SHEET (Sht.1 of 3)'. Includes fields for DRAWN BY (K.ROBERTS), DATE CREATED (11.01.31), SCALE (N.T.S.), DRAWING NUMBER (001-STD-LS-001), and REV. (A).

FLOW DIAGRAM SYMBOLS

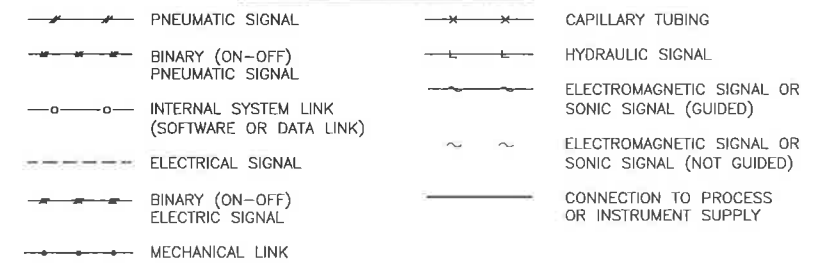


	PRIMARY LOCATION OR PANEL (** NORMALLY ACCESSIBLE TO OPERATOR)	AUXILIARY LOCATION OR PANEL (** NORMALLY ACCESSIBLE TO OPERATOR)
SHARED DISPLAY, SHARED CONTROL DISTRIBUTED CONTROL (OR VIDEO DISPLAY)	◻*	◻*

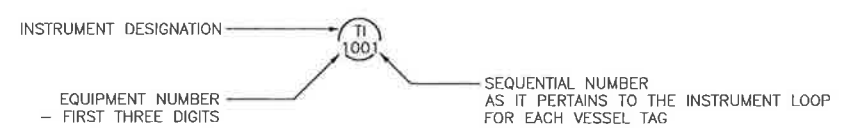
* ABBREVIATIONS OF THE USER'S CHOICE AS IP1 (INSTRUMENT PANEL=1), IC2 (INSTRUMENT PANEL=2), CC3 (COMPUTER CONSOLE=3), ETC. MAY BE USED.
 ** NORMALLY INACCESSIBLE OR BEHIND THE PANEL DEVICES OR FUNCTIONS MAY BE DEPICTED BY USING THE SAME SYMBOLS BUT WITH DASHED BARS.



INSTRUMENT SIGNAL LINES



INSTRUMENT IDENTIFICATION



REFERENCE DWG. NO.	REFERENCE DRAWINGS	REV.	REVISION DESCRIPTION	PROJ. NO.	BY	DATE	CHD	APPD
.	.	A	ISSUED FOR INFORMATION		K.R.	11.01.31		
.	.							
.	.							
.	.							
.	.							
.	.							
.	.							

ENGINEER'S STAMP

ISSUED FOR INFORMATION

PERMIT STAMP

GENIVAR
805 - 1331 MACLEOD TRAIL SE
CALGARY (ALBERTA)
CANADA T2G 0K3
PHONE: 403 777-2477 FAX: 403 777-2479
WWW.GENIVAR.COM

GENIVAR STANDARD

STANDARD
PIPING & INSTRUMENTATION DIAGRAM SYMBOLS
LEAD SHEET (Sht.2 of 3)

DRAWN BY	DATE CREATED	SCALE	DRAWING NUMBER	REV.
K.ROBERTS	11.01.31	N.T.S.	001-STD-LS-002	A

H:\DRAFTING\STANDARDS\GENVAR\LEAD SHEETS\001STDLS003.DWG
 LAST SAVED DATE: 6/3/2011 9:52:54 AM BY: KATHY ROBERTS
 PLOTTED DATE: 6/7/2011 8:06:47 AM BY: TODD DREBIT
 TEAL A1 SIZE TITLEBLOCK V.2

MEASURED/ INITIALIZING VARIABLE	MODIFIER OR SUCCEEDING LETTERS																																								
	E	T	E	I	T	IT	QT	E	I	T	IT	E	I	T	IT	DT	DIT	RV	E	I	T	IT	E	I	T	IT	TV	S	Y	Y	V	SV	AH/L	AHH	ALL	XH	INPUT	OUTPUT			
ANALYSIS	A	AE	AT																									AS()	AY	AV		AAH	AAHH		AXH						
BURNER COMBUSTION	B																																								
DENSITY	D																																								
ELECTRICAL	E																																								
FLOW	F		FE	FI	FT	FIT	FQT																					FS()	FY	FV	FAH	FAHH					FI	FIC			
							FQI																																FQI		
HAND	H																											HS()	HY	HV											
CURRENT(ELECTRICAL)	I																																								
POWER	J																																								
LEVEL	L							LE	LI	LT	LIT																LS()	LY	LV	LAH	LAHH					LI	LIC				
MULTIVARIABL(FLOW)	M						MVS				MVT																														
PRESSURE	P								PE	PI	PT	PIT						PRV									PS()	PY	PV	PAH	PAHH					PI	PIC				
PRESSURE DIFFERENTIAL	PD								PDI		PDT	PDIT															PDS()			PDAH	PDAHH					PDI	PDIC				
SPEED/ FREQUENCY	S																	SE	SI	ST	SIT					SS()	SY	SV	SAH	SAHH					SI	SIC					
TEMPERATURE	T																						TE	TI	TT	TIT	TCV	TS()	TY	TV	TAH	TAHH					TI	TIC			
MULTIVARIABLE	U																										US()	UY	UV												
VIBRATION	V																										VS()	VY		VAH	VAHH						VI				
WEIGHT	W																																								
UNCLASSIFIED	X																										XS()	XY	XV	XA	XSD										
POSITION	Z																										ZS()			ZAH									ZI		
																																							ZI		

HARD TAGS

↑(O)PEN
↓(C)LOSE

OR(H)/(L)OR
(HH)/(LL)

SOFT TAGS
ANALOG & DISCREET

NOTE:
FLOW ELEMENTS (FE) AND THERMOWELLS (TW) ARE ONLY NUMBERED WHEN NOT IN SERVICE, (eg. IF A TI IS INSTALLED IN A TW, THE TI IS GIVEN A NUMBER FROM THE INSTRUMENTATION LIST AND THE TW NUMBER IS REMOVED).

REFERENCE DWG. NO.	REFERENCE DRAWINGS	REV.	REVISION DESCRIPTION	PROJ. NO.	BY	DATE	CHD	APPD	ENGINEER'S STAMP	PERMIT STAMP
.	.	A	ISSUED FOR INFORMATION		K.R.	11.01.31	B.W.	D.O.	ISSUED FOR INFORMATION	
.	.									
.	.									
.	.									
.	.									
.	.									

GENIVAR		GENIVAR STANDARD	
805 - 1331 MACLEOD TRAIL SE CALGARY (ALBERTA) CANADA T2G 0K3 PHONE: 403 777-2477 FAX: 403 777-2479 WWW.GENIVAR.COM		STANDARD INSTRUMENT TAG LETTER COMBINATIONS LEAD SHEET (Sht.3 of 3)	
DRAWN BY	DATE CREATED	SCALE	DRAWING NUMBER
K.ROBERTS	11.01.31	N.T.S.	001-STD-LS-003
			REV.
			A

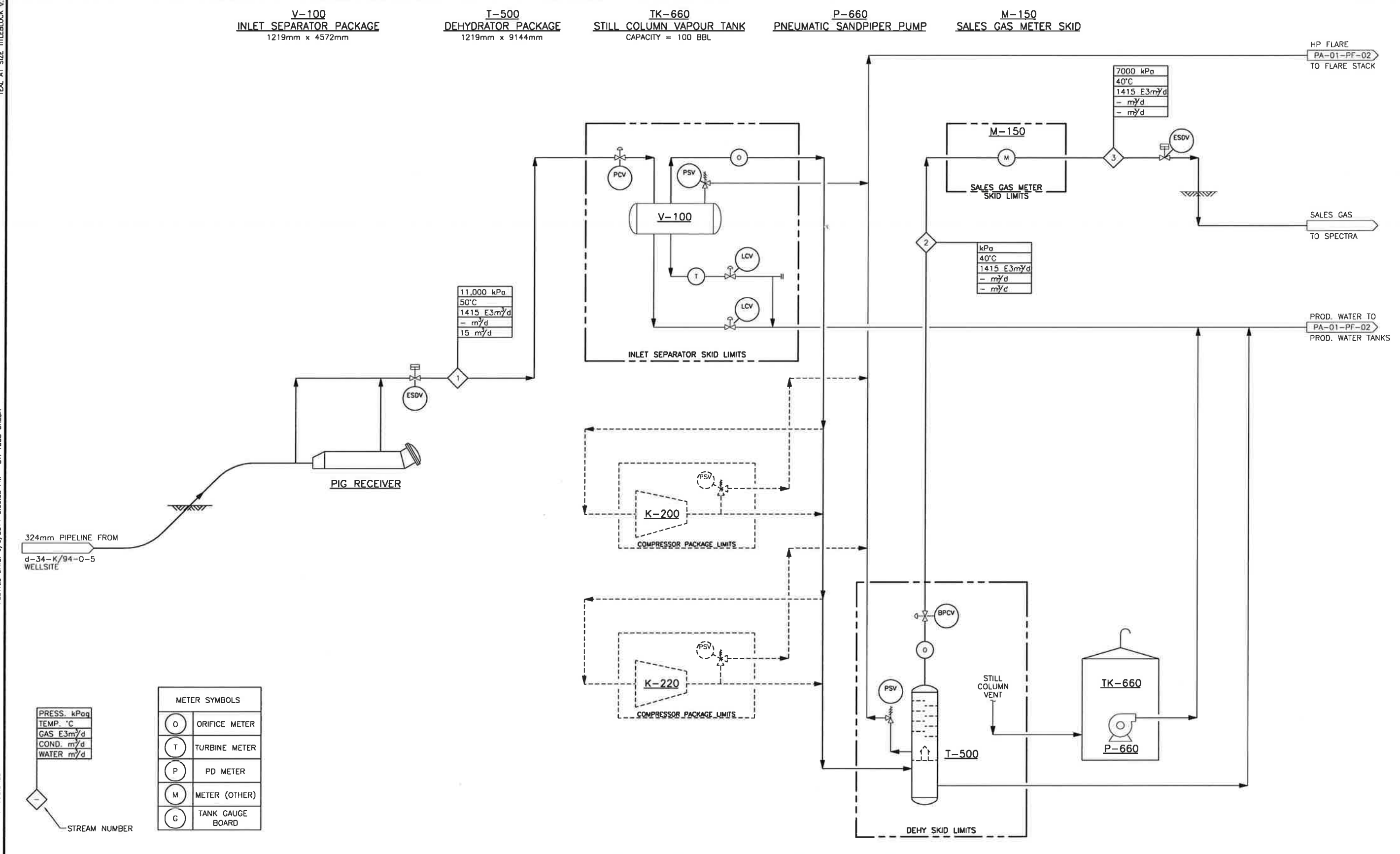
THE SIGNATURE AND SEAL OF THE UNDERSIGNED ON THIS DRAWING CERTIFIES THAT THE DESIGN INFORMATION CONTAINED IN THESE DRAWINGS ACCURATELY REFLECTS THE ORIGINAL DESIGN AND THE MATERIAL DESIGN CHANGES MADE DURING CONSTRUCTION, THAT WERE BROUGHT TO THE UNDERSIGNED'S ATTENTION. THESE DRAWINGS ARE INTENDED TO INCORPORATE ADDENDA, CHANGE ORDERS AND OTHER MATERIAL DESIGN CHANGES, BUT NOT NECESSARILY ALL SITE INSTRUCTIONS.

THE UNDERSIGNED DOES NOT WARRANT OR GUARANTEE, NOR ACCEPT ANY RESPONSIBILITY FOR THE ACCURACY OR COMPLETENESS OF THE AS-CONSTRUCTED INFORMATION SUPPLIED BY OTHERS CONTAINED IN THESE DRAWINGS, BUT DOES CERTIFY THAT THE AS-CONSTRUCTED INFORMATION, IF ACCURATE AND COMPLETE, PROVIDES AN AS-CONSTRUCTED SYSTEM WHICH SUBSTANTIALLY COMPLIES IN ALL MATERIAL RESPECTS WITH THE ORIGINAL DESIGN INTENT.

TEAL A1 SIZE TITLEBLOCK V.2

PLOTTED DATE: 6/6/2011 6:00:08 PM BY: TODD DREBIT

H:\DRAFTING\CLIENTS\APACHE\PATRY\01(C-11-J-94-0-5) - CENTRAL DEHY\PID\PA01PF01.DWG
LAST SAVED DATE: 6/6/2011 6:00:01 PM BY: TODD DREBIT



PRESS. kPa	TEMP. °C	GAS E3m³/d	COND. m³/d	WATER m³/d
11,000	50	1415	-	15
7000	40	1415	-	-

METER SYMBOLS	
(O)	ORIFICE METER
(T)	TURBINE METER
(P)	PD METER
(M)	METER (OTHER)
(G)	TANK GAUGE BOARD

STREAM NUMBER

REFERENCE DWG. NO.	REFERENCE DRAWINGS	REV.	REVISION DESCRIPTION	PROJ. NO.	BY	DATE	CHD	APPD
-	-	A	ISSUED FOR O.G.C. APPROVAL	100-10-005	EH	10.08.23	-	-
-	-	B	ISSUED FOR BID	100-10-005	PO	10.11.15	BW	FdC
-	-	0	ISSUED FOR CONSTRUCTION	100-10-005	TD	10.12.16	BW	FDC
-	-	1	AS BUILT	100-10-005	TD	11.06.06	TD	FDC

ENGINEER'S STAMP

PERMIT STAMP

PPMP
GENIVAR INC.

Signature: *[Signature]*
Date: June 21/11

PROFESSIONAL ENGINEER
F. De CAIGNY
#31792
BRITISH COLUMBIA
June 7/2011

ENGINEER AND PERMIT STAMPS APPLY TO AREAS OUTSIDE SKID LIMITS AND CLOUDED AREAS ONLY

GENIVAR
805 - 1331 MACLEOD TRAIL SE
CALGARY (ALBERTA)
CANADA T2G 0K3
PHONE: 403 777-2477 FAX: 403 777-2479
WWW.GENIVAR.COM

Apache
CANADA LTD

PATRY - CENTRAL DEHY.
LSD: c-11-j-94-0-5
PAGE 1 OF 2
PROCESS FLOW DIAGRAM

DRAWN BY	DATE CREATED	SCALE	DRAWING NUMBER	REV.
EVA HOANG	10.08.23	N.T.S.	A1-PA-01-PF-01	1

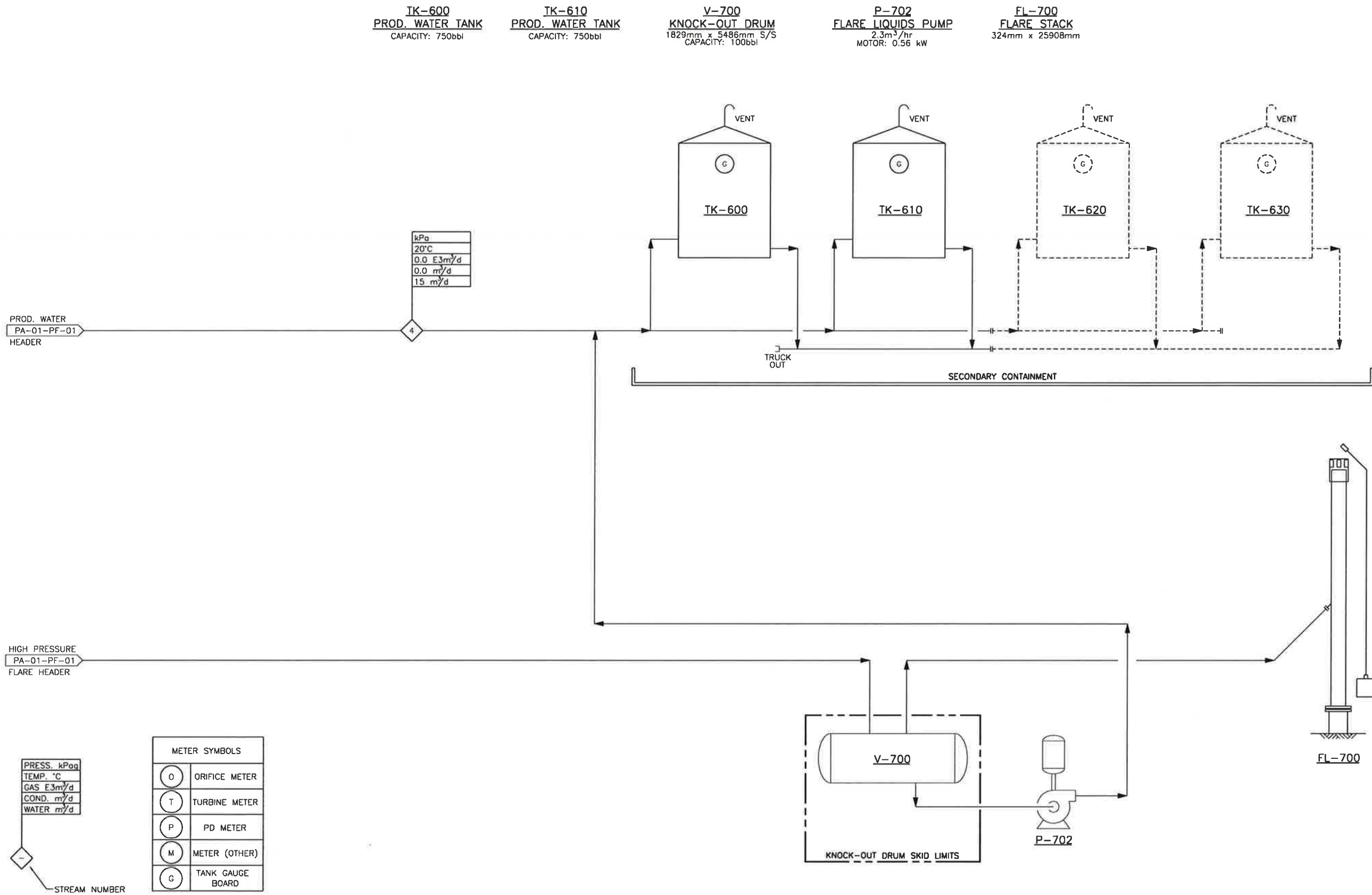
THE SIGNATURE AND SEAL OF THE UNDERSIGNED ON THIS DRAWING CERTIFIES THAT THE DESIGN INFORMATION CONTAINED IN THESE DRAWINGS ACCURATELY REFLECTS THE ORIGINAL DESIGN AND THE MATERIAL DESIGN CHANGES MADE DURING CONSTRUCTION, THAT WERE BROUGHT TO THE UNDERSIGNED'S ATTENTION. THESE DRAWINGS ARE INTENDED TO INCORPORATE ADDENDA, CHANGE ORDERS AND OTHER MATERIAL DESIGN CHANGES, BUT NOT NECESSARILY ALL SITE INSTRUCTIONS.

THE UNDERSIGNED DOES NOT WARRANT OR GUARANTEE, NOR ACCEPT ANY RESPONSIBILITY FOR THE ACCURACY OR COMPLETENESS OF THE AS-CONSTRUCTED INFORMATION SUPPLIED BY OTHERS CONTAINED IN THESE DRAWINGS, BUT DOES CERTIFY THAT THE AS-CONSTRUCTED INFORMATION, IF ACCURATE AND COMPLETE, PROVIDES AN AS-CONSTRUCTED SYSTEM WHICH SUBSTANTIALLY COMPLIES IN ALL MATERIAL RESPECTS WITH THE ORIGINAL DESIGN INTENT.

TEAL A1 SIZE TITLEBLOCK V.2

PLOTTED DATE: 6/6/2011 6:00:22 PM BY: TODD DREBIT

H:\DRAFTING\CLIENTS\APACHE\PATRY\01(C-11-J-94-0-5) - CENTRAL DEHY\PID\PA01PF02.DWG
LAST SAVED DATE: 12/16/2010 9:50:15 AM BY: TODD DREBIT



REFERENCE DWG. NO.	REFERENCE DRAWINGS	REV.	REVISION DESCRIPTION	PROJ. NO.	BY	DATE	CHD	APPD
-	-	A	ISSUED FOR O.G.C. APPROVAL	100-10-005	EH	10.08.23	-	-
-	-	B	ISSUED FOR BID	100-10-005	PO	10.11.15	BW	FdC
-	-	0	ISSUED FOR CONSTRUCTION	100-10-005	TD	10.12.16	BW	FDC
-	-	1	AS BUILT	100-10-005	TD	11.06.06	TD	FDC
-	-	-	-	-	-	-	-	-
-	-	-	-	-	-	-	-	-
-	-	-	-	-	-	-	-	-
-	-	-	-	-	-	-	-	-
-	-	-	-	-	-	-	-	-

ENGINEER'S STAMP

PERMIT STAMP

PPMP
GENIVAR INC.

Signature: [Signature]
Date: June 21/11

ENGINEER AND PERMIT STAMPS APPLY TO AREAS OUTSIDE SKID LIMITS AND CLOUDED AREAS ONLY

GENIVAR

805 - 1331 MACLEOD TRAIL SE
CALGARY (ALBERTA)
CANADA T2G 0K3
PHONE: 403 777-2477 FAX: 403 777-2479
WWW.GENIVAR.COM

DRAWN BY: EVA HOANG
DATE CREATED: 10.08.23
SCALE: N.T.S.

Apache
CANADA LTD

PATRY - CENTRAL DEHY.
LSD: c-11-j/94-0-5
PAGE 2 OF 2
PROCESS FLOW DIAGRAM

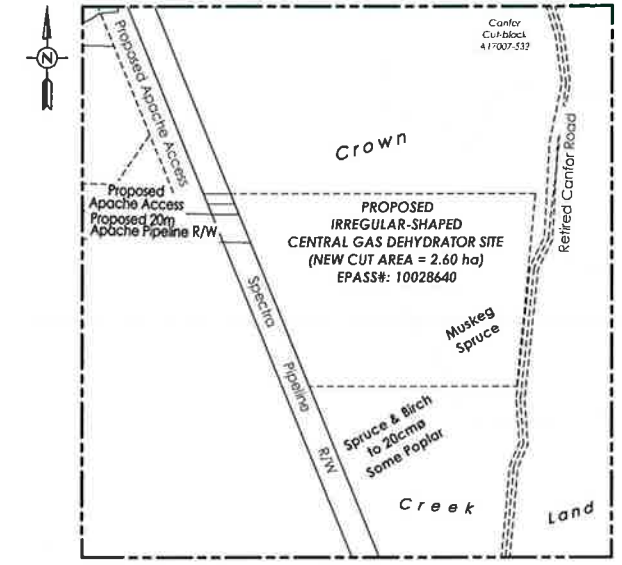
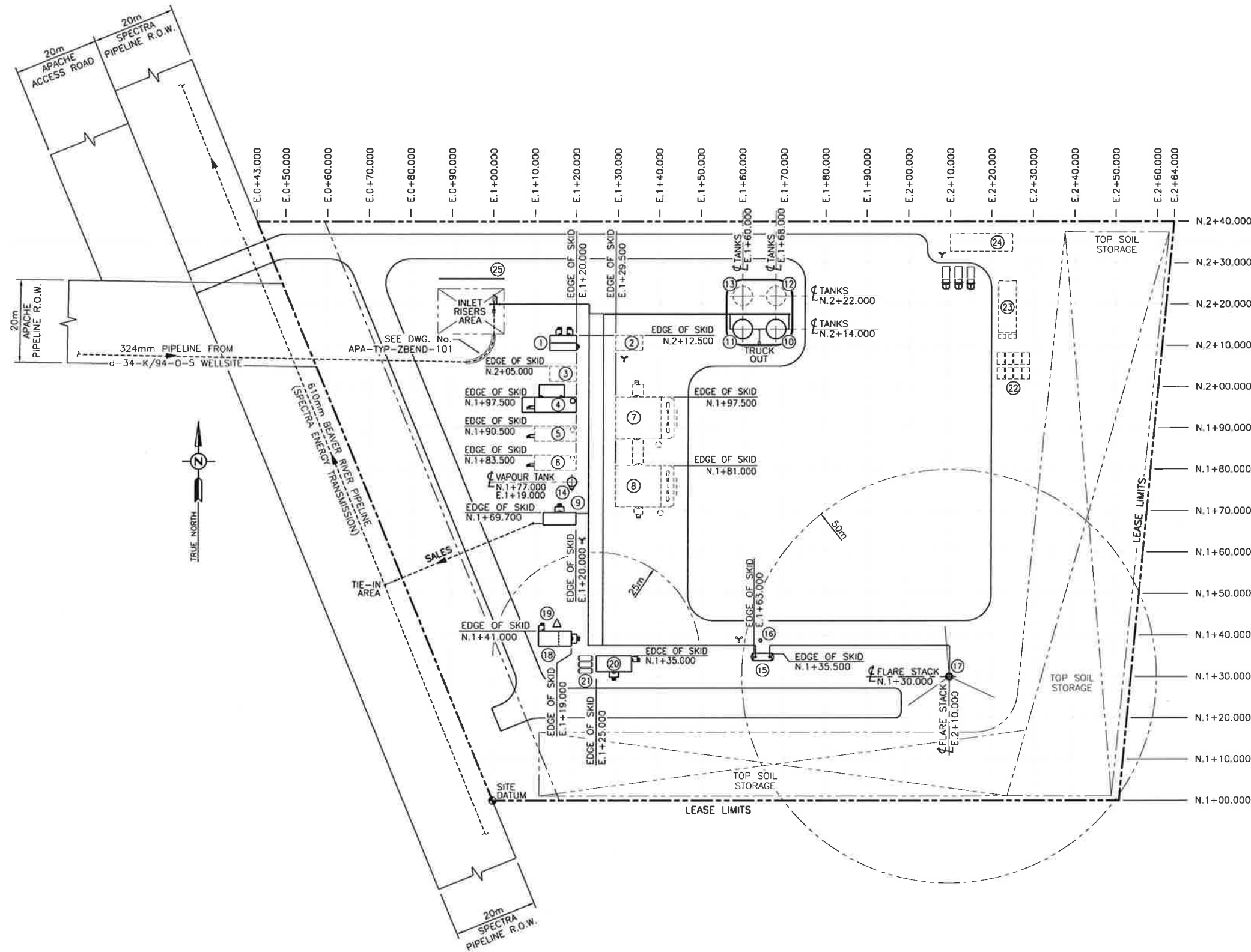
DRAWING NUMBER: A1-PA-01-PF-02
REV.: 1

TEAL AT SIZE TITLEBLOCK V.2

PLOTTED DATE: 6/6/2011 4:56:19 PM BY: TODD DREBIT

H:\DRAFTING\CLIENTS\APACHE\PATRY\01(C-11-J-94-0-5) - CENTRAL DEHYDRATOR\PA01PP01.DWG

LAST SAVED DATE: 6/6/2011 4:56:10 PM BY: TODD DREBIT



SITE PLAN SCALE 1:2000

LEGEND

- ① INLET SEPARATOR (V-100)
 - ② INLET SEPARATOR (V-110) [FUTURE]
 - ③ INLET SEPARATOR (V-120) [FUTURE]
 - ④ DEHY. (T-500)
 - ⑤ DEHY. (T-525) [FUTURE]
 - ⑥ DEHY. (T-550) [FUTURE]
 - ⑦ COMPRESSOR (K-200) [FUTURE]
 - ⑧ COMPRESSOR (K-220) [FUTURE]
 - ⑨ SALES METER SKID (M-150)
 - ⑩ PROD. WATER TANK (TK-600)
 - ⑪ PROD. WATER TANK (TK-610)
 - ⑫ PROD. WATER TANK (TK-620) [FUTURE]
 - ⑬ PROD. WATER TANK (TK-630) [FUTURE]
 - ⑭ STILL COLUMN VAPOUR TANK (TK-660)
 - ⑮ KNOCK-OUT DRUM (V-700)
 - ⑯ KNOCK-OUT DRUM LIQUIDS PUMP (P-702)
 - ⑰ FLARE STACK (FL-700)
 - ⑱ MCC BUILDING/OFFICE
 - ⑲ COMMUNICATIONS TOWER
 - ⑳ GENSET/INST. AIR BUILDING (IA-900)
 - ㉑ PROPANE TANKS
 - ㉒ C-CAN STORAGE UNITS [FUTURE]
 - ㉓ SLEEPER [FUTURE]
 - ㉔ OFFICE [FUTURE]
 - ㉕ FENCE
- Y YARD LIGHT
 ■ CONCRETE BARRIER

REFERENCE DWG. NO.	REFERENCE DRAWINGS	REV.	REVISION DESCRIPTION	PROJ. NO.	BY	DATE	CHD	APPD
		A	ISSUED FOR O.G.C. APPROVAL	100-10-005	TD	10.08.23		
		0	ISSUED FOR CONSTRUCTION	100-10-005	TD	10.12.16	BW	FDC
		1	AS BUILT	100-10-005	TD	11.06.06	TD	FDC

ENGINEER'S STAMP

PERMIT STAMP


PPMP
 GENIVAR INC.
 Signature: *[Signature]*
 Date: 15 Jan 11

ENGINEER AND PERMIT STAMPS APPLY TO AREAS OUTSIDE SKID LIMITS AND CLOUDED AREAS ONLY

GENIVAR
 805 - 1331 MACLEOD TRAIL SE
 CALGARY (ALBERTA)
 CANADA T2C 0K3
 PHONE: 403 777-2477 FAX: 403 777-2479
 WWW.GENIVAR.COM

Apache
 CANADA LTD
 PATRY - CENTRAL DEHY.
 c-11-J/94-0-5
 CENTRAL DEHYDRATOR SITE
 PLOT PLAN

DRAWN BY	DATE CREATED	SCALE	DRAWING NUMBER	REV.
T. DREBIT	10.07.19	1:500	A1-PA-01-PP-01	1


ENGINEER & PERMIT STAMPS		REVISIONS						GENERAL NOTES			CLIENT:		APACHE CANADA LTD.	
	PPMP GENIVAR INC. Signature: <i>[Signature]</i> Date: <i>June 21/11</i>	NO.	DESCRIPTION	BY	DATE	CHD	APP	1. B31.3 = ASME B31.3 (Latest Edition) Z662 = CSA Z662 (Latest Edition) 2. H2O=WATER (blended with methanol if req'd) N2=NITROGEN, S.T.=SERVICE TEST A=AIR, G=NATURAL GAS 3. PIPING SPEC REFERS TO MATERIAL SELECTION ONLY.	PROJECT NAME: PATRY		c-11-J/94-O-5			
		A	ISSUED FOR O.G.C. APPROVAL	TD	10.10.08	BW	FdC		PROJECT #	100-10-005	REVISION:	1		
		B	ISSUED FOR BID	PO	10.11.15	BW	FdC		ZONE #	01	DATE:	2010.10.08		
		0	ISSUED FOR CONSTRUCTION	TD	10.12.16	BW	FDC		PREPARED BY:	T. DREBIT	DATE:	2011.6.21		
		1	AS BUILT	TD	11.06.06	TD	<i>[Signature]</i>		CHECKED BY:	<i>[Signature]</i>	DATE:	2011.6.21		
								APPROVED BY:	<i>[Signature]</i>	DATE:	2011.6.21	FILE LOCATION:	H:\Drafting\Clients\Apache\Patry\01(c-11-J/94-O-5)\Misc	



REVISIONS SHOWN SHADED

SPECIAL NOTES LEGEND	
A. INSULATE LINE TO BOTTOM OF U/G ELBOW IN TRENCH ONLY.	G. INSULATE AND/OR HEAT TRACE O/S BUILDINGS ONLY.
B. INSULATE & HEAT TRACE LINE TO BOTTOM OF U/G ELBOW IN TRENCH ONLY.	H. INTERNALLY COATED.
C. U/G PORTION OF LINES TO BE YELLOW JACKETED 300mm A/G OR TO FIRST INSULATED FITTING.	J. HYDRO TEST PRESSURE IS CORRECTED FOR CORROSION ALLOWANCE AND IS FLANGE LIMITED.
D. INSULATE POTENTIAL POCKETS AND LOW POINTS ONLY.	K. PWHT NOT REQUIRED IF WELD PROCEDURE CONTAINS CONTROL TO HRC 22 OR IS APPROVED BY APACHE.
E. HEAT TRACE POTENTIAL POCKETS AND LOW POINTS ONLY.	
F. INSULATE AND HEAT TRACE POTENTIAL POCKETS & LOW POINTS ONLY.	

LINE DESIGNATION							DESCRIPTION		DESIGN CONDITIONS			OPERATING CONDITIONS		TEST CONDITIONS			C.A. (mm)	SCH. OR THK.	X-RAY (%)	PWHT (Y/N)	P&ID	SPECIAL NOTES
SIZE (NPS)	SPEC. (NOTE 3)	COMM-ODITY	No.	INS. THK (mm)	INS. TYPE	TRACING TYPE	FROM	TO	CODE (NOTE 1)	PRESS. (kPa)	TEMP. (°C)	PRESS. (kPa)	TEMP. (°C)	PRESS. (kPa)	TEMP. (°C)	MEDIUM (NOTE 2)						
324	DSC	GP	001	50	H		U/G FROM d-34-K	PIG RECEIVER	Z662	14570	-45/93			20400	AMB	H2O	3.2	120	100%	YES(NOTE K)	A1-PA-01-M-01A	
273	DSC	GP	002	38	H		PIG RECEIVER	324-DSC-GP-003-50H	Z662	14570	-45/93			20400	AMB	H2O	3.2	120	100%	YES(NOTE K)	A1-PA-01-M-01A	
324	DSC	GP	003	50	H		324-DSC-GP-001-50H	324-DSC-GP-004-50H	Z662	14570	-45/93			20400	AMB	H2O	3.2	120	100%	YES(NOTE K)	A1-PA-01-M-01A/02	
324	DSC	GP	004	50	H		324-DSC-GP-003-50H	324-DSC-GP-006-50H	Z662	14570	-45/93			20400	AMB	H2O	3.2	120	100%	YES(NOTE K)	A1-PA-01-M-02	
219	DSC	GP	006	38	H		324-DSC-GP-005-50H	INLET SEPARATOR (V-100)	Z662	14570	-45/93			20400	AMB	H2O	3.2	120	100%	YES(NOTE K)	A1-PA-01-M-02/3A	
219	CSC	GP	007	38	H		INLET SEPARATOR (V-100)	324-CSC-GP-008-50H	Z662	9930	-45/93			13910	AMB	H2O	3.2	80	100%	YES(NOTE K)	A1-PA-01-M-03A/04	
324	CSC	GP	008	50	H		219-CSC-GP-007-38H	219-CSC-GP-009-38H	Z662	9930	-45/93			13910	AMB	H2O	3.2	80	100%	YES(NOTE K)	A1-PA-01-M-04	
219/168	CSC	GP	009	38	H		324-CSC-GP-008-50H	DEHY (T-500)	Z662	9930	-45/93			13910	AMB	H2O	3.2	80	100%	YES(NOTE K)	A1-PA-01-M-04/05A	
219	CSC	GP	010	38	H		DEHY (T-500)	324-CSC-GP-011-50H	Z662	9930	-45/93			13910	AMB	H2O	3.2	80	100%	YES(NOTE K)	A1-PA-01-M-05A/06	
324	CSC	GP	011	50	H		219-CSC-GP-010-38H	273-CSC-GP-012-38H	Z662	9930	-45/93			13910	AMB	H2O	3.2	80	100%	YES(NOTE K)	A1-PA-01-M-06	
273	CSC	GP	012	38	H		324-CSC-GP-011-50H	SALES GAS METER SKID (M-150)	Z662	9930	-45/93			13910	AMB	H2O	3.2	80	100%	YES(NOTE K)	A1-PA-01-M-06/07	
273/324	CSC	GP	013	50	H		SALES GAS METER SKID (M-150)	SPECTRA HOT TAP LOCATION	Z662	9930	-45/93			13910	AMB	H2O	3.2	80	100%	YES(NOTE K)	A1-PA-01-M-07/08	
60	A	GF	100	25	H		DEHY (T-500)	89-A-GF-101-38H	Z662	1900	-29/54			2380	AMB	H2O	1.6	80	15%	NO	A1-PA-01-M-05B/09	
89	A	GF	101	38	H		60-A-GF-100-25H	60-A-GF-108-25H	Z662	1900	-29/54			2380	AMB	H2O	1.6	80	15%	NO	A1-PA-01-M-09	
60	A	GF	102	25	H		89-A-GF-101-38H	INLET SEPARATOR (V-100)	Z662	1900	-29/54			2380	AMB	H2O	1.6	80	15%	NO	A1-PA-01-M-03A/09	
60	A	GF	103	25	H		89-A-GF-101-38H	33-A-GF-105	Z662	1900	-29/54			2380	AMB	H2O	1.6	80	15%	NO	A1-PA-01-M-09	
33	A	GF	104				60-A-GF-103-25H	PRODUCED WATER TANK (TK-600)	Z662	1900	-29/54			2380	AMB	H2O	1.6	160	N/A	NO	A1-PA-01-M-09/12A	
33	A	GF	105				60-A-GF-103-25H	PRODUCED WATER TANK (TK-610)	Z662	1900	-29/54			2380	AMB	H2O	1.6	160	N/A	NO	A1-PA-01-M-09/12A	
33	A	GF	106				60-A-GF-103-25H	STILL COLUMN VAPOUR TANK (TK-660)	Z662	1900	-29/54			2380	AMB	H2O	1.6	160	N/A	NO	A1-PA-01-M-09/13A	
33	A	GF	107				89-A-GF-101-38H	SALES GAS METER SKID (M-150)	Z662	1900	-29/54			2380	AMB	H2O	1.6	160	N/A	NO	A1-PA-01-M-09, 07	
60	A	GF	108	25	H		89-A-GF-101-38H	33-A-GF-109-25H	Z662	1900	-29/54			2380	AMB	H2O	1.6	80	15%	NO	A1-PA-01-M-09	
33	A	GF	109				60-A-GF-108-25H	INST. AIR/GENSET BUILDING (IA-900)	Z662	1900	-29/54			2380	AMB	H2O	1.6	160	N/A	NO	A1-PA-01-M-09	
33	A	GF	110				INLET SEPARATOR (V-100)	FLARE HEADER 273-A-DF-601	Z662	1900	-29/54			2380	AMB	H2O	1.6	160	N/A	NO	A1-PA-01-M-03A/14	
60	AC	IA	500				INST. AIR/GENSET BUILDING (IA-900)	60-AC-IA-501	Z662	1900	-45/54			2380	AMB	H2O	1.6	80	15%	NO	A1-PA-01-M-10	
60	AC	IA	501				60-AC-IA-500	60-AC-IA-502	Z662	1900	-45/54			2380	AMB	H2O	1.6	80	15%	NO	A1-PA-01-M-10	
60	AC	IA	503				60-AC-IA-501	INLET SEPARATOR (V-100)	Z662	1900	-45/54			2380	AMB	H2O	1.6	80	15%	NO	A1-PA-01-M-10/03A	
60	AC	IA	504				60-AC-IA-501	DEHY. (T-500)	Z662	1900	-45/54			2380	AMB	H2O	1.6	80	15%	NO	A1-PA-01-M-10/05A	
33	AC	IA	505				60-AC-IA-501	LIQUIDS PUMP (P-660) INSIDE STILL COLUMN VAPOUR TANK	Z662	1900	-45/54			2380	AMB	H2O	1.6	160	N/A	NO	A1-PA-01-M-10/13A	
33	AC	IA	506				60-AC-IA-501	SALES GAS METER SKID (M-150)	Z662	1900	-45/54			2380	AMB	H2O	1.6	160	N/A	NO	A1-PA-01-M-10	

ENGINEER & PERMIT STAMPS		REVISIONS						GENERAL NOTES			CLIENT: APACHE CANADA LTD.	
	PPMP GENIVAR INC.		NO.	DESCRIPTION	BY	DATE	CHD	APP	1. B31.3 = ASME B31.3 (Latest Edition) Z662 = CSA Z662 (Latest Edition) 2. H2O=WATER (blended with methanol if req'd) N2=NITROGEN, S.T.=SERVICE TEST A=AIR, G=NATURAL GAS 3. PIPING SPEC REFERS TO MATERIAL SELECTION ONLY.			CLIENT: PATRY c-11-J/94-O-5
	Signature: <i>[Signature]</i>		A	ISSUED FOR O.G.C. APPROVAL	TD	10.10.08	BW	FdC				PROJECT NAME: LSD:
	Date: June 21/11		B	ISSUED FOR BID	PO	10.11.15	BW	FdC				PROJECT # 100-10-005
			0	ISSUED FOR CONSTRUCTION	TD	10.12.16	BW	FDC				REVISION: 1
			1	AS BUILT	TD	11.06.06	TD	FDC				ZONE # 01
								PREPARED BY: T. DREBIT	DATE: 2010.10.08			
								CHECKED BY:	DATE:			
								APPROVED BY: <i>[Signature]</i>	DATE: 2011-6-21			
								FILE LOCATION: H:\Drafting\Clients\Apache\Patry\01(c-11-J/94-O-5)\Misc				



REVISIONS SHOWN
SHADED

SPECIAL NOTES LEGEND	
A. INSULATE LINE TO BOTTOM OF U/G ELBOW IN TRENCH ONLY.	G. INSULATE AND/OR HEAT TRACE O/S BUILDINGS ONLY.
B. INSULATE & HEAT TRACE LINE TO BOTTOM OF U/G ELBOW IN TRENCH ONLY.	H. INTERNALLY COATED.
C. U/G PORTION OF LINES TO BE YELLOW JACKETED 300mm A/G OR TO FIRST INSULATED FITTING.	J. HYDRO TEST PRESSURE IS CORRECTED FOR CORROSION ALLOWANCE AND IS FLANGE LIMITED.
D. INSULATE POTENTIAL POCKETS AND LOW POINTS ONLY.	K. PWHT NOT REQUIRED IF WELD PROCEDURE CONTAINS CONTROL TO HRC 22 OR IS APPROVED BY APACHE.
E. HEAT TRACE POTENTIAL POCKETS AND LOW POINTS ONLY.	
F. INSULATE AND HEAT TRACE POTENTIAL POCKETS & LOW POINTS ONLY.	

LINE DESIGNATION							DESCRIPTION		DESIGN CONDITIONS			OPERATING CONDITIONS		TEST CONDITIONS			C.A. (mm)	SCH. OR THK.	X-RAY (%)	PWHT (Y/N)	P&ID	SPECIAL NOTES
SIZE (NPS)	SPEC. (NOTE 3)	COMM-ODITY	No.	INS. THK (mm)	INS. TYPE	TRACING TYPE	FROM	TO	CODE (NOTE 1)	PRESS. (kPa)	TEMP. (°C)	PRESS. (kPa)	TEMP. (°C)	PRESS. (kPa)	TEMP. (°C)	MEDIUM (NOTE 2)						
168	A	DF	600				INLET SEPARATOR (V-100)	273-A-DF-601	Z662	1900	-29/54			2380	AMB	H2O	1.6	40	15%	NO	A1-PA-01-M-03A/14	
273	A	DF	601				168-A-DF-600	KNOCK OUT DRUM (V-700)	Z662	1900	-29/54			2380	AMB	H2O	1.6	40	15%	NO	A1-PA-01-M-14/15	
168	A	DF	602				DEHY (T-500)	273-A-GF-601	Z662	1900	-29/54			2380	AMB	H2O	1.6	40	15%	NO	A1-PA-01-M-05A/14	
168	A	DF	603				SALES GAS METER SKID (M-150)	273-A-GF-601	Z662	1900	-29/54			2380	AMB	H2O	1.6	40	15%	NO	A1-PA-01-M-07/14	
273	A	DF	604				KNOCK OUT DRUM (V-700)	FLARE STACK (FL-700)	Z662	1900	-29/54			2380	AMB	H2O	1.6	40	15%	NO	A1-PA-01-M-15	
114	A	DF	605	38	H	ET	DEHY (T-500) STILL COLUMN	114-A-DF-606-38H-ET	Z662	1900	-29/54			2380	AMB	H2O	1.6	40	15%	NO	A1-PA-01-M-05B/13A	DO NOT POCKET
114	A	DF	606	38	H	ET	114-A-DF-605-38H-ET	STILL COLUMN VAPOUR TANK (TK-660)	Z662	1900	-29/54			2380	AMB	H2O	1.6	40	15%	NO	A1-PA-01-M-13A	DO NOT POCKET
114	A	DF	607	38	H	ET	114-A-DF-606-38H-ET	STILL COLUMN VAPOUR TANK (TK-660)	Z662	1900	-29/54			2380	AMB	H2O	1.6	40	15%	NO	A1-PA-01-M-13A	
60	ASC	WP	700	38	H	ET	INLET SEPARATOR (V-100)	89-ASC-WP-701-38H-ET	Z662	1900	-45/93			2660	AMB	H2O	3.2	80	100%	YES(NOTE K)	A1-PA-01-M-03A/11	
89	ASC	WP	701	38	H	ET	60-ASC-WP-700-38H-ET	60-ASC-WP-703-38H-ET	Z662	1900	-45/93			2660	AMB	H2O	3.2	40	100%	YES(NOTE K)	A1-PA-01-M-11	
60	ASC	WP	702	38	H	ET	DEHY (T-500)	89-ASC-WP-701-38H-ET	Z662	1900	-45/93			2660	AMB	H2O	3.2	80	100%	YES(NOTE K)	A1-PA-01-M-05A/11	
89	ASC	WP	703	38	H	ET	89-ASC-WP-701-38H-ET	89-ASC-WP-705-38H-ET	Z662	1900	-45/93			2660	AMB	H2O	3.2	40	100%	YES(NOTE K)	A1-PA-01-M-11	
89	ASC	WP	704	38	H	ET	89-ASC-WP-703-38H-ET	PRODUCED WATER TANK (TK-600)	Z662	1900	-45/93			2660	AMB	H2O	3.2	40	100%	YES(NOTE K)	A1-PA-01-M-11/12A	
89	ASC	WP	705	38	H	ET	89-ASC-WP-703-38H-ET	PRODUCED WATER TANK (TK-610)	Z662	1900	-45/93			2660	AMB	H2O	3.2	40	100%	YES(NOTE K)	A1-PA-01-M-11/12A	
60	ASC	WP	706	38	H	ET	LIQUIDS PUMP (P-660) INSIDE STILL COLUMN VAPOUR TANK	89-ASC-WP-701-38H-ET	Z662	1900	-45/93			2660	AMB	H2O	3.2	80	100%	YES(NOTE K)	A1-PA-01-M-13A/11	
60	ASC	WP	707	38	H	ET	60-ASC-WP-709-38H-ET	89-ASC-WP-701-38H-ET	Z662	1900	-45/93			2660	AMB	H2O	3.2	80	100%	YES(NOTE K)	A1-PA-01-M-11	
60	ASC	WP	708	38	H	ET	60-ASC-WP-713-38H-ET	KNOCK-OUT DRUM PUMP (P-702)	Z662	1900	-45/93			2660	AMB	H2O	3.2	80	100%	YES(NOTE K)	A1-PA-01-M-15	
60	ASC	WP	709	38	H	ET	KNOCK-OUT DRUM PUMP (P-702)	60-ASC-WP-707-38H-ET	Z662	1900	-45/93			2660	AMB	H2O	3.2	80	100%	YES(NOTE K)	A1-PA-01-M-15/11	
114/89	ASC	WP	710	38	H	ET	PRODUCED WATER TANK (TK-600)	89-ASC-WP-712-38H-ET	Z662	1900	-45/93			2660	AMB	H2O	3.2	40	100%	YES(NOTE K)	A1-PA-01-M-12A	
114/89	ASC	WP	711	38	H	ET	PRODUCED WATER TANK (TK-610)	89-ASC-WP-712-38H-ET	Z662	1900	-45/93			2660	AMB	H2O	3.2	40	100%	YES(NOTE K)	A1-PA-01-M-12A	
89	ASC	WP	712	38	H	ET	89-ASC-WP-711-38H-ET	PROD. WATER TANKS TRUCK-OUT	Z662	1900	-45/93			2660	AMB	H2O	3.2	40	100%	YES(NOTE K)	A1-PA-01-M-12A	
60	ASC	WP	713	38	H	ET	KNOCK-OUT DRUM (V-700)	KNOCK-OUT DRUM TRUCK OUT	Z662	1900	-45/93			2660	AMB	H2O	3.2	80	100%	YES(NOTE K)	A1-PA-01-M-15	

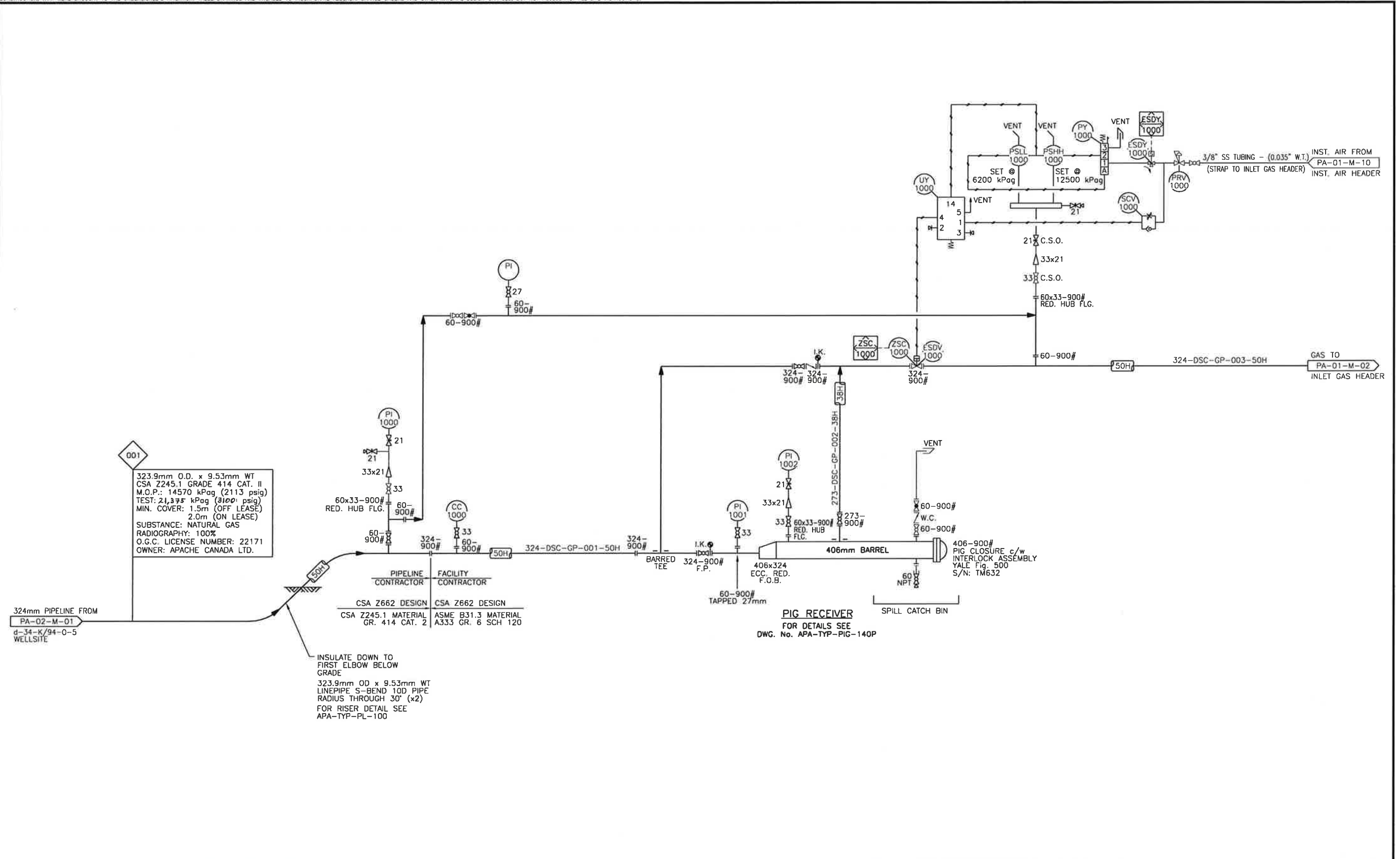
THE SIGNATURE AND SEAL OF THE UNDERSIGNED ON THIS DRAWING CERTIFIES THAT THE DESIGN INFORMATION CONTAINED IN THESE DRAWINGS ACCURATELY REFLECTS THE ORIGINAL DESIGN AND THE MATERIAL DESIGN CHANGES MADE DURING CONSTRUCTION, THAT WERE BROUGHT TO THE UNDERSIGNED'S ATTENTION. THESE DRAWINGS ARE INTENDED TO INCORPORATE ADDENDA, CHANGE ORDERS AND OTHER MATERIAL DESIGN CHANGES, BUT NOT NECESSARILY ALL SITE INSTRUCTIONS.

THE UNDERSIGNED DOES NOT WARRANT OR GUARANTEE, NOR ACCEPT ANY RESPONSIBILITY FOR THE ACCURACY OR COMPLETENESS OF THE AS-CONSTRUCTED INFORMATION SUPPLIED BY OTHERS CONTAINED IN THESE DRAWINGS, BUT DOES CERTIFY THAT THE AS-CONSTRUCTED INFORMATION, IF ACCURATE AND COMPLETE, PROVIDES AN AS-CONSTRUCTED SYSTEM WHICH SUBSTANTIALLY COMPLIES IN ALL MATERIAL RESPECTS WITH THE ORIGINAL DESIGN INTENT.

TEAL A1 SIZE TITLEBLOCK V.2

PLOTTED DATE: 6/7/2011 10:42:34 AM BY: TODD DREBIT

H:\DRAFTING\CLIENTS\APACHE\PATRY\01(C-11-J-94-0-5) - CENTRAL DEHY\PID\PA01.M01A.DWG
LAST SAVED DATE: 6/7/2011 10:41:28 AM BY: TODD DREBIT



REFERENCE DWG. NO.	REFERENCE DRAWINGS	REV.	REVISION DESCRIPTION	PROJ. NO.	BY	DATE	CHD	APPD
-	-	A	ISSUED FOR OGC APPROVAL	100-10-005	EH	10.08.25	-	-
-	-	0	ISSUED FOR CONSTRUCTION - PIPELINE	100-10-005	TD	10.11.05	-	-
-	-	1	ISSUED FOR BID - FACILITY	100-10-005	PO	10.11.15	BW	FdC
-	-	2	ISSUED FOR CONSTRUCTION - FACILITY	100-10-005	TD	10.12.16	BW	FDC
-	-	3	AS BUILT	100-10-005	TD	11.06.06	JD	PL

ENGINEER'S STAMP

PROFESSIONAL ENGINEER
 PROVIDER OF
 F. De CAIGNY
 #31792
 BRITISH COLUMBIA ENGINEER

PERMIT STAMP

PPMP
 GENIVAR INC.
 Signature: *[Signature]*
 Date: 15 Jun 11

ENGINEER AND PERMIT STAMPS APPLY TO AREAS OUTSIDE SKID LIMITS AND CLOUDED AREAS ONLY

GENIVAR
 805 - 1331 MACLEOD TRAIL SE
 CALGARY (ALBERTA)
 CANADA T2G 0K3
 PHONE: 403 777-2477 FAX: 403 777-2479
 WWW.GENIVAR.COM

Apache
 CANADA LTD

PATRY - CENTRAL DEHY.
 c-11-J/94-0-5
 INLET AREA
 PIPING & INSTRUMENTATION DIAGRAM

DRAWN BY	DATE CREATED	SCALE	DRAWING NUMBER	REV.
EVA HOANG	2010-08-25	N.T.S.	A1-PA-01-M-01A	3

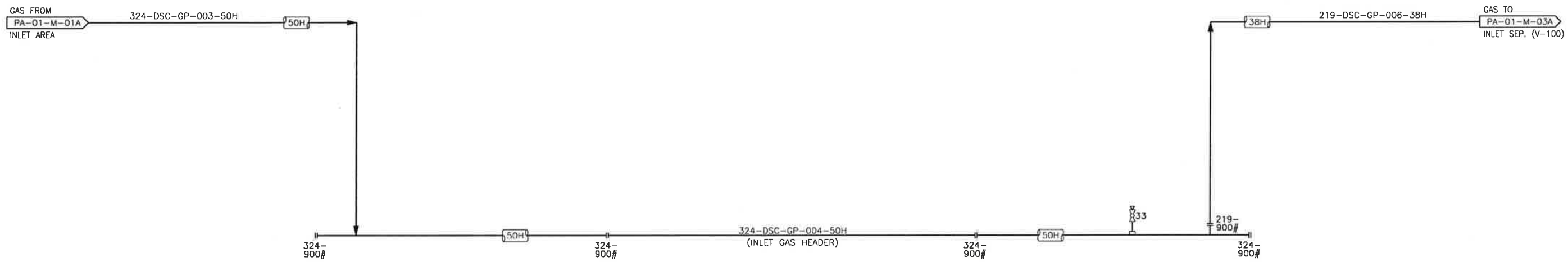
THE SIGNATURE AND SEAL OF THE UNDERSIGNED ON THIS DRAWING CERTIFIES THAT THE DESIGN INFORMATION CONTAINED IN THESE DRAWINGS ACCURATELY REFLECTS THE ORIGINAL DESIGN AND THE MATERIAL DESIGN CHANGES MADE DURING CONSTRUCTION, THAT WERE BROUGHT TO THE UNDERSIGNED'S ATTENTION. THESE DRAWINGS ARE INTENDED TO INCORPORATE ADDENDA, CHANGE ORDERS AND OTHER MATERIAL DESIGN CHANGES, BUT NOT NECESSARILY ALL SITE INSTRUCTIONS.

THE UNDERSIGNED DOES NOT WARRANT OR GUARANTEE, NOR ACCEPT ANY RESPONSIBILITY FOR THE ACCURACY OR COMPLETENESS OF THE AS-CONSTRUCTED INFORMATION SUPPLIED BY OTHERS CONTAINED IN THESE DRAWINGS, BUT DOES CERTIFY THAT THE AS-CONSTRUCTED INFORMATION, IF ACCURATE AND COMPLETE, PROVIDES AN AS-CONSTRUCTED SYSTEM WHICH SUBSTANTIALLY COMPLIES IN ALL MATERIAL RESPECTS WITH THE ORIGINAL DESIGN INTENT.

TEAL A1 SIZE TITLEBLOCK V2

PLOTTED DATE: 6/6/2011 5:01:56 PM BY: TODD DREBIT

H:\DRAFTING\CLIENTS\APACHE\PATRY\01(C-11-J-94-0-5) - CENTRAL DEHY\PID\PA01M02.DWG
LAST SAVED DATE: 6/6/2011 9:30:22 AM BY: TODD DREBIT



REFERENCE DWG. NO.	REFERENCE DRAWINGS	REV.	REVISION DESCRIPTION	PROJ. NO.	BY	DATE	CHD	APPD
-	-	A	ISSUED FOR OGC APPROVAL	100-10-005	TD	10.09.10	-	-
-	-	B	ISSUED FOR BID	100-10-005	PO	10.11.15	BW	FdC
-	-	0	ISSUED FOR CONSTRUCTION	100-10-005	TD	10.12.16	BW	FdC
-	-	1	AS BUILT	100-10-005	TD	11.06.06	TD	FdC
-	-	-	-	-	-	-	-	-
-	-	-	-	-	-	-	-	-
-	-	-	-	-	-	-	-	-
-	-	-	-	-	-	-	-	-

ENGINEER'S STAMP

PERMIT STAMP

PPMP
GENIVAR INC.

Signature _____
Date _____

PROFESSIONAL ENGINEER
T. De CAIGNY
#31792
BRITISH COLUMBIA
June 7/2011

ENGINEER AND PERMIT STAMPS APPLY TO AREAS OUTSIDE SKID LIMITS AND CLOUDED AREAS ONLY

GENIVAR
805 - 1331 MACLEOD TRAIL SE
CALGARY (ALBERTA)
CANADA T2C 0K3
PHONE: 403 777-2477 FAX: 403 777-2479
WWW.GENIVAR.COM

DRAWN BY: T. DREBIT
DATE CREATED: 2010-09-01
SCALE: N.T.S.

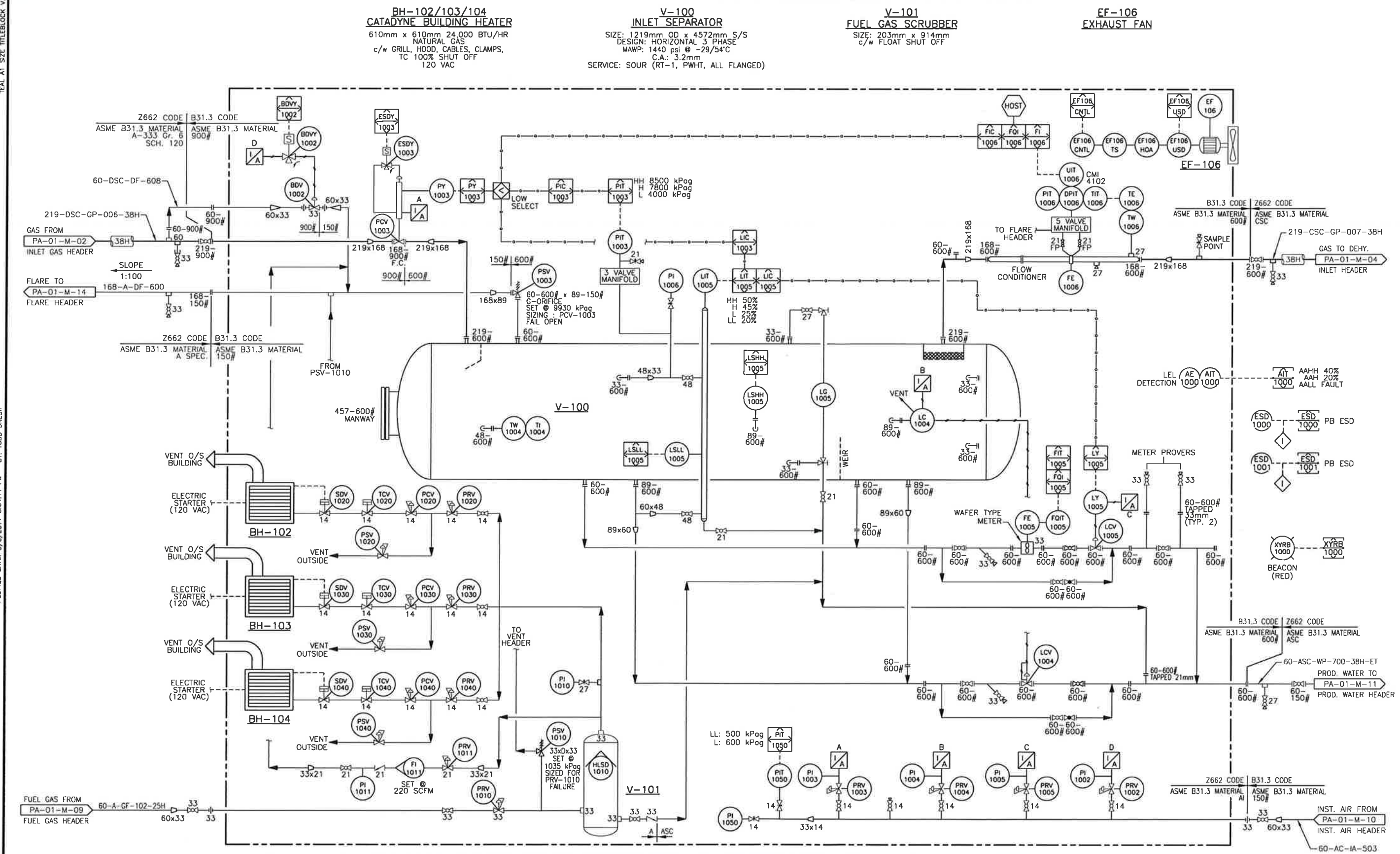
Apache
CANADA LTD

PATRY - CENTRAL DEHY.
c-11-J/94-0-5
INLET GAS HEADER
PIPING & INSTRUMENTATION DIAGRAM

DRAWING NUMBER: A1-PA-01-M-02
REV: 1

THE SIGNATURE AND SEAL OF THE UNDERSIGNED ON THIS DRAWING CERTIFIES THAT THE DESIGN INFORMATION CONTAINED IN THESE DRAWINGS ACCURATELY REFLECTS THE ORIGINAL DESIGN AND THE MATERIAL DESIGN CHANGES MADE DURING CONSTRUCTION. THAT WERE BROUGHT TO THE UNDERSIGNED'S ATTENTION. THESE DRAWINGS ARE INTENDED TO INCORPORATE ADDENDA, CHANGE ORDERS AND OTHER MATERIAL DESIGN CHANGES, BUT NOT NECESSARILY ALL SITE INSTRUCTIONS.

THE UNDERSIGNED DOES NOT WARRANT OR GUARANTEE, NOR ACCEPT ANY RESPONSIBILITY FOR THE ACCURACY OR COMPLETENESS OF THE AS-CONSTRUCTED INFORMATION SUPPLIED BY OTHERS CONTAINED IN THESE DRAWINGS, BUT DOES CERTIFY THAT THE AS-CONSTRUCTED INFORMATION, IF ACCURATE AND COMPLETE, PROVIDES AN AS-CONSTRUCTED SYSTEM WHICH SUBSTANTIALLY COMPLIES IN ALL MATERIAL RESPECTS WITH THE ORIGINAL DESIGN INTENT.



REFERENCE DWG. NO.	REFERENCE DRAWINGS	REV.	REVISION DESCRIPTION	PROJ. NO.	BY	DATE	CHD	APPD	ENGINEER'S STAMP	PERMIT STAMP	DRAWN BY	DATE CREATED	SCALE	DRAWING NUMBER	REV.
17179-PID-01	PLATINUM ENERGY SERVICES CORP.	A	ISSUED FOR OGC APPROVAL	100-10-005	J.MAC	10.09.16					JAMES MAC	10.09.16	N.T.S.	A1-PA-01-M-03A	1
		B	ISSUED FOR BID	100-10-005	TD	10.10.21									
		C	ISSUED FOR BID - FACILITY	100-10-005	PO	10.11.15	BW	FdC							
		O	ISSUED FOR CONSTRUCTION	100-10-005	TD	10.12.16	BW	FDC							
		1	AS BUILT	100-10-005	TD	11.06.06	TD	FDC							

H:\DRAFTING\CLIENTS\APACHE\PATRY\01(C-11-J-94-0-5) - CENTRAL DEHY\PID\PA01M03A.DWG
 LAST SAVED DATE: 6/6/2011 2:26:17 PM BY: TODD DREBIT
 PLOTTED DATE: 6/6/2011 5:04:11 PM BY: TODD DREBIT
 TEAL A1 SIZE TITLEBLOCK V.2

GENIVAR
805 - 1331 MACLEOD TRAIL SE
CALGARY (ALBERTA)
CANADA T2G 0K3
PHONE: 403 777-2477 FAX: 403 777-2479
WWW.GENIVAR.COM

APACHE
CANADA LTD

PATRY - CENTRAL DEHY.
c-11-J/94-0-5
INLET SEPARATOR (V-100)
PIPING & INSTRUMENTATION DIAGRAM

ENGINEER AND PERMIT STAMPS APPLY TO AREAS OUTSIDE SKID LIMITS AND CLOUDED AREAS ONLY

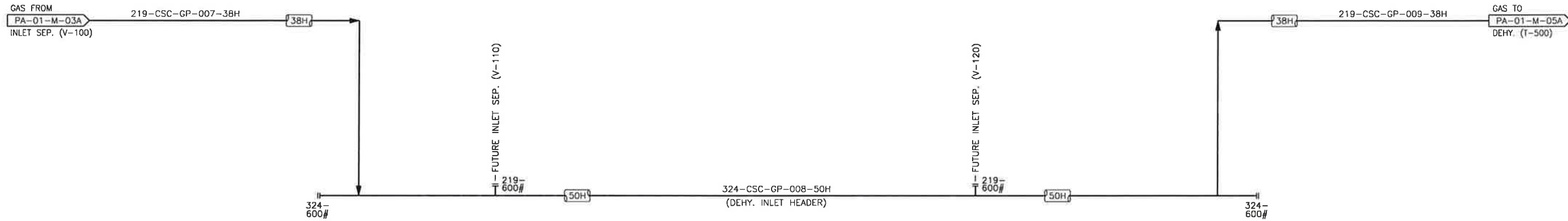
THE SIGNATURE AND SEAL OF THE UNDERSIGNED ON THIS DRAWING CERTIFIES THAT THE DESIGN INFORMATION CONTAINED IN THESE DRAWINGS ACCURATELY REFLECTS THE ORIGINAL DESIGN AND THE MATERIAL DESIGN CHANGES MADE DURING CONSTRUCTION, THAT WERE BROUGHT TO THE UNDERSIGNED'S ATTENTION. THESE DRAWINGS ARE INTENDED TO INCORPORATE ADDENDA, CHANGE ORDERS AND OTHER MATERIAL DESIGN CHANGES, BUT NOT NECESSARILY ALL SITE INSTRUCTIONS.

THE UNDERSIGNED DOES NOT WARRANT OR GUARANTEE, NOR ACCEPT ANY RESPONSIBILITY FOR THE ACCURACY OR COMPLETENESS OF THE AS-CONSTRUCTED INFORMATION SUPPLIED BY OTHERS CONTAINED IN THESE DRAWINGS, BUT DOES CERTIFY THAT THE AS-CONSTRUCTED INFORMATION, IF ACCURATE AND COMPLETE, PROVIDES AN AS-CONSTRUCTED SYSTEM WHICH SUBSTANTIALLY COMPLIES IN ALL MATERIAL RESPECTS WITH THE ORIGINAL DESIGN INTENT.

TEAL A1 SIZE TITLEBLOCK V.2

PLOTTED DATE: 6/6/2011 5:03:58 PM BY: TODD DREBIT

H:\DRAFTING\CLIENTS\APACHE\PATRY\01(C-11-J-94-0-5) - CENTRAL DEHY\PID\PA01M04.DWG
LAST SAVED DATE: 6/6/2011 9:30:22 AM BY: TODD DREBIT



REFERENCE DWG. NO.	REFERENCE DRAWINGS	REV.	REVISION DESCRIPTION	PROJ. NO.	BY	DATE	CHD	APPD
-	-	A	ISSUED FOR OGC APPROVAL	100-10-005	TD	10.09.10	-	-
-	-	B	ISSUED FOR BID	100-10-005	PO	10.11.15	BW	FdC
-	-	0	ISSUED FOR CONSTRUCTION	100-10-005	TD	10.12.16	BW	FDC
-	-	1	AS BUILT	100-10-005	TD	11.06.06	TD	FDC
-	-	-	-	-	-	-	-	-
-	-	-	-	-	-	-	-	-
-	-	-	-	-	-	-	-	-
-	-	-	-	-	-	-	-	-
-	-	-	-	-	-	-	-	-

ENGINEER'S STAMP

PERMIT STAMP

PPMP
GENIVAR INC.

Signature: *[Signature]*
Date: June 22/11

PROFESSIONAL ENGINEER
T. De CAIGNY
#31792
BRITISH COLUMBIA

ENGINEER AND PERMIT STAMPS APPLY TO AREAS OUTSIDE SKID LIMITS AND CLOUDED AREAS ONLY

GENIVAR

805 - 1331 MACLEOD TRAIL SE
CALGARY (ALBERTA)
CANADA T2C 0K3
PHONE: 403 777-2477 FAX: 403 777-2479
WWW.GENIVAR.COM

DRAWN BY: T. DREBIT
DATE CREATED: 2010-09-01

Apache
CANADA LTD

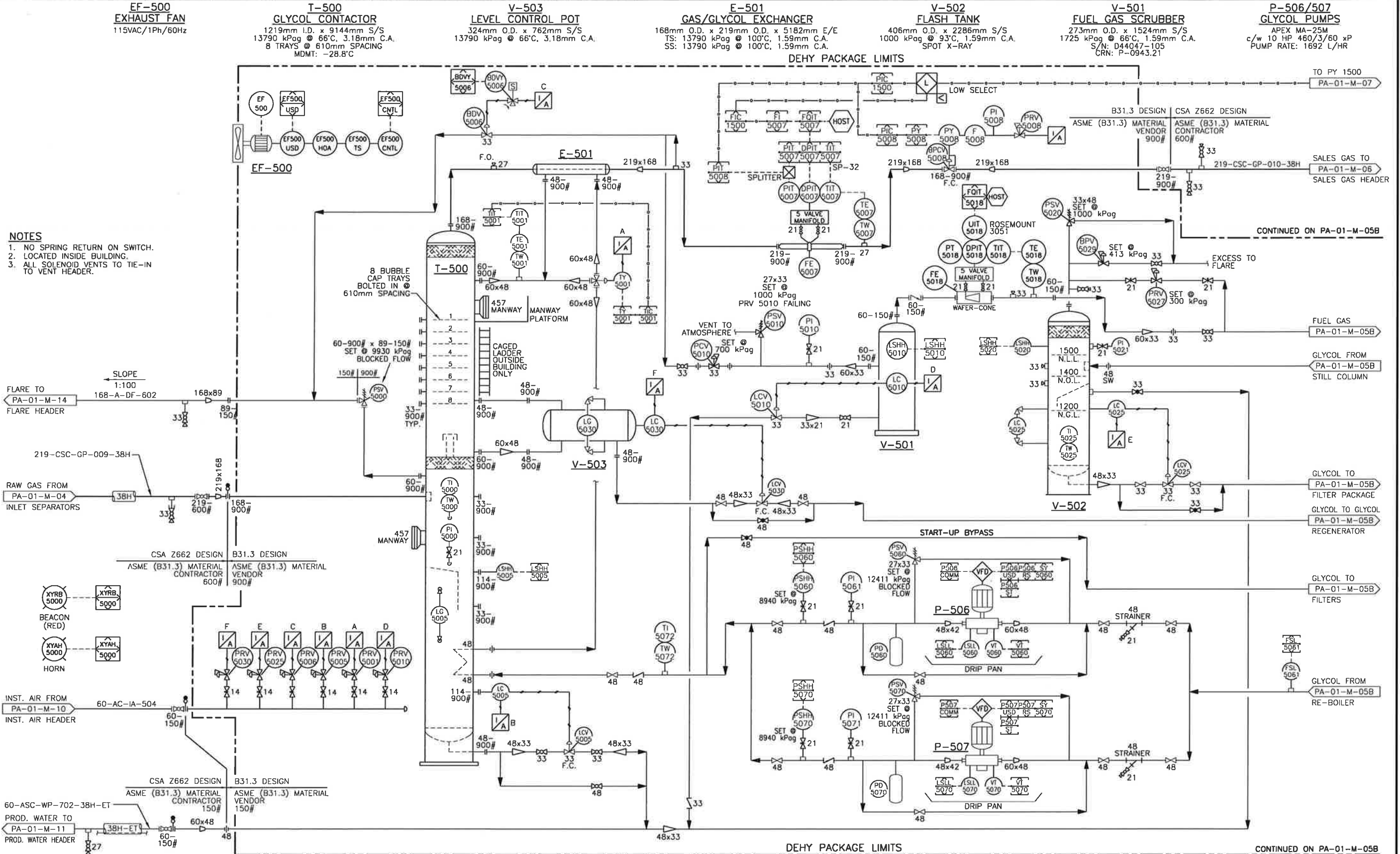
PATRY - CENTRAL DEHY.
c-11-J/94-0-5
DEHY. INLET HEADER
PIPING & INSTRUMENTATION DIAGRAM

SCALE: N.T.S.
DRAWING NUMBER: A1-PA-01-M-04
REV.: 1

TEAL A1 SIZE TITLEBLOCK V.2

PLOTTED DATE: 6/6/2011 5:03:42 PM BY: TODD DREBIT

H:\DRAFTING\CLIENTS\APACHE\PATRY\01(C-11-J-94-0-5) - CENTRAL DEHY\PID\PA01M05A.DWG
LAST SAVED DATE: 6/6/2011 8:50:09 AM BY: TODD DREBIT



- NOTES**
1. NO SPRING RETURN ON SWITCH.
 2. LOCATED INSIDE BUILDING.
 3. ALL SOLENOID VENTS TO TIE-IN TO VENT HEADER.

REFERENCE DWG. NO.	REFERENCE DRAWINGS	REV.	REVISION DESCRIPTION	PROJ. NO.	BY	DATE	CHD	APPD
D-MFS-00190-200	PROPAK	A	ISSUED FOR OGC APPROVAL	100-10-005	EH	10.08.25		
		B	ISSUED FOR BID	100-10-005	PO	10.11.15	BW	FdC
		0	ISSUED FOR CONSTRUCTION	100-10-005	TD	10.12.16	BW	FDC
		1	AS BUILT	100-10-005	TD	11.06.06	TD	FDC

ENGINEER'S STAMP

PROFESSIONAL ENGINEER
F.D. CAGNY
#31792
BRITISH COLUMBIA

PERMIT STAMP

PPMP
GENIVAR INC.
Signature: [Signature]
Date: June 21/11

ENGINEER AND PERMIT STAMPS APPLY TO AREAS OUTSIDE SKID LIMITS AND CLOUDED AREAS ONLY

GENIVAR
805 - 1331 MACLEOD TRAIL SE
CALGARY (ALBERTA)
CANADA T2G 0K3
PHONE: 403 777-2477 FAX: 403 777-2479
WWW.GENIVAR.COM

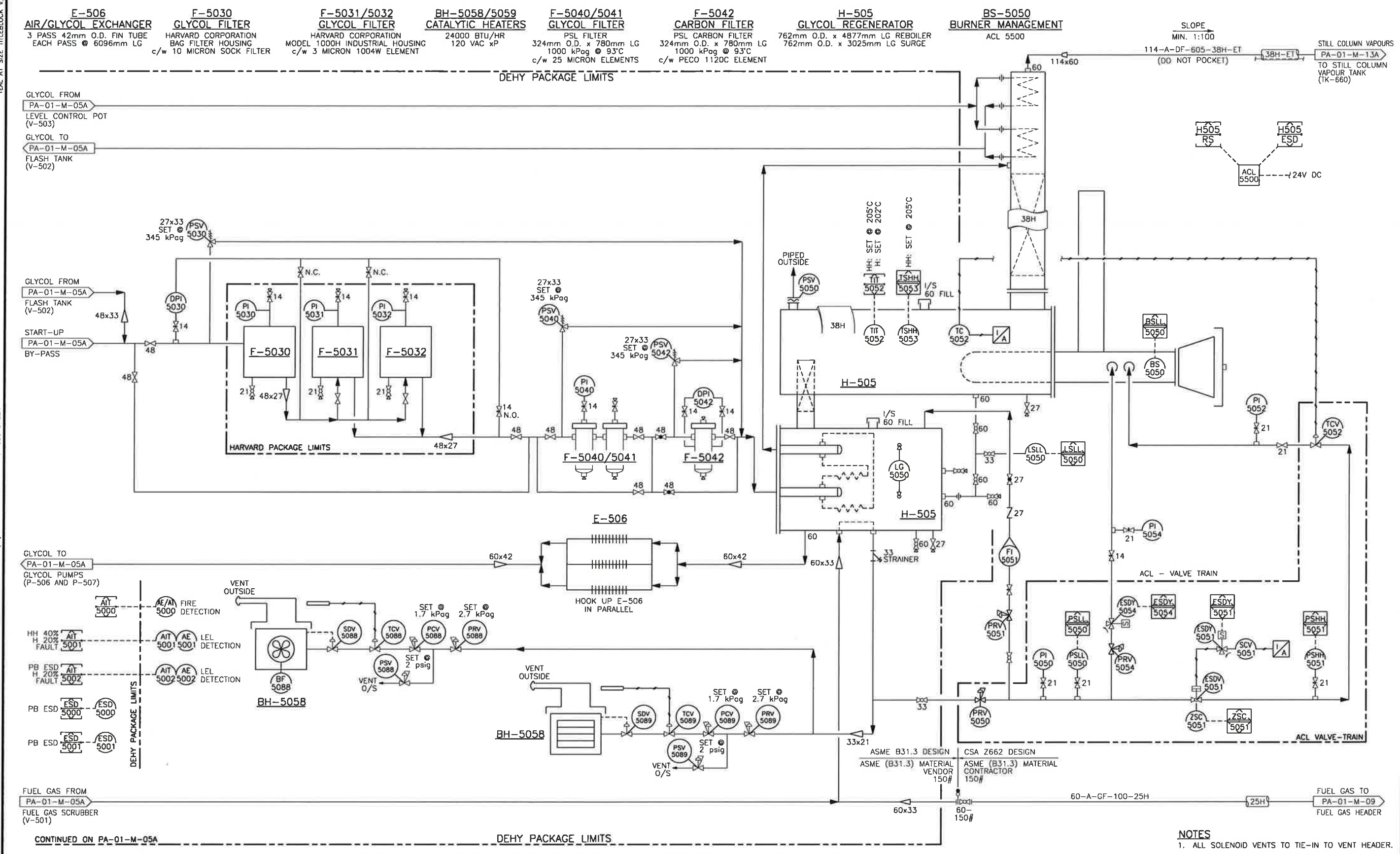
Apache
CANADA LTD

PATRY - CENTRAL DEHY.
c-11-J/94-0-5
DEHY. (T-500) - SHEET 1 OF 2
PIPING & INSTRUMENTATION DIAGRAM

DRAWN BY	DATE CREATED	SCALE	DRAWING NUMBER	REV.
T. DREBIT	2010-08-25	N.T.S.	A1-PA-01-M-05A	1

THE SIGNATURE AND SEAL OF THE UNDERSIGNED ON THIS DRAWING CERTIFIES THAT THE DESIGN INFORMATION CONTAINED IN THESE DRAWINGS ACCURATELY REFLECTS THE ORIGINAL DESIGN AND THE MATERIAL DESIGN CHANGES MADE DURING CONSTRUCTION. THAT WERE BROUGHT TO THE UNDERSIGNED'S ATTENTION. THESE DRAWINGS ARE INTENDED TO INCORPORATE ADDENDA, CHANGE ORDERS AND OTHER MATERIAL DESIGN CHANGES, BUT NOT NECESSARILY ALL SITE INSTRUCTIONS.

THE UNDERSIGNED DOES NOT WARRANT OR GUARANTEE, NOR ACCEPT ANY RESPONSIBILITY FOR THE ACCURACY OR COMPLETENESS OF THE AS-CONSTRUCTED INFORMATION SUPPLIED BY OTHERS CONTAINED IN THESE DRAWINGS, BUT DOES CERTIFY THAT THE AS-CONSTRUCTED INFORMATION, IF ACCURATE AND COMPLETE, PROVIDES AN AS-CONSTRUCTED SYSTEM WHICH SUBSTANTIALLY COMPLIES IN ALL MATERIAL RESPECTS WITH THE ORIGINAL DESIGN INTENT.



TEAL A1 SIZE TITLEBLOCK V2
PLOTTED DATE: 6/6/2011 5:03:25 PM BY: TODD DREBIT
H:\DRAFTING\CLIENTS\APACHE\PATRY\01(C-11-J-94-0-5) - CENTRAL DEHY\PID\PA01M05B.DWG
LAST SAVED DATE: 6/6/2011 3:38:07 PM BY: TODD DREBIT

NOTES
1. ALL SOLENOID VENTS TO TIE-IN TO VENT HEADER.

REFERENCE DWG. NO.	REFERENCE DRAWINGS	REV.	REVISION DESCRIPTION	PROJ. NO.	BY	DATE	CHD	APPD
D-MFS-00190-200	PROPAK	A	ISSUED FOR OGC APPROVAL	100-10-005	EH	10.08.25		
		B	ISSUED FOR BID	100-10-005	PO	10.11.15	BW	FdC
		O	ISSUED FOR CONSTRUCTION	100-10-005	TD	10.12.16	BW	FDC
		1	AS BUILT	100-10-005	TD	11.06.06	TD	FDC

ENGINEER'S STAMP

PROFESSIONAL ENGINEER
F. DE CAIGNY
31792
BRITISH COLUMBIA

June 7/2011

PERMIT STAMP

PPMP
GENIVAR INC.
Signature: [Signature]
Date: June 22/11

ENGINEER AND PERMIT STAMPS APPLY TO AREAS OUTSIDE SKID LIMITS AND CLOUDED AREAS ONLY

GENIVAR
805 - 1331 MACLEOD TRAIL SE
CALGARY (ALBERTA)
CANADA T2G 0K3
PHONE: 403 777-2477 FAX: 403 777-2479
WWW.GENIVAR.COM

Apache
CANADA LTD

PATRY - CENTRAL DEHY.
c-11-J/94-0-5
DEHY. (T-500) - SHEET 2 OF 2
PIPING & INSTRUMENTATION DIAGRAM

DRAWN BY	DATE CREATED	SCALE	DRAWING NUMBER	REV.
T. DREBIT	2010-08-25	N.T.S.	A1-PA-01-M-05B	1

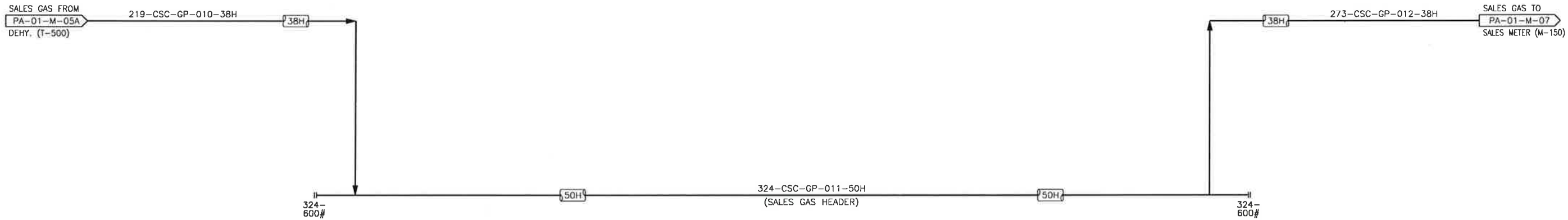
THE SIGNATURE AND SEAL OF THE UNDERSIGNED ON THIS DRAWING CERTIFIES THAT THE DESIGN INFORMATION CONTAINED IN THESE DRAWINGS ACCURATELY REFLECTS THE ORIGINAL DESIGN AND THE MATERIAL DESIGN CHANGES MADE DURING CONSTRUCTION, THAT WERE BROUGHT TO THE UNDERSIGNED'S ATTENTION. THESE DRAWINGS ARE INTENDED TO INCORPORATE ADDENDA, CHANGE ORDERS AND OTHER MATERIAL DESIGN CHANGES, BUT NOT NECESSARILY ALL SITE INSTRUCTIONS.

THE UNDERSIGNED DOES NOT WARRANT OR GUARANTEE, NOR ACCEPT ANY RESPONSIBILITY FOR THE ACCURACY OR COMPLETENESS OF THE AS-CONSTRUCTED INFORMATION SUPPLIED BY OTHERS CONTAINED IN THESE DRAWINGS, BUT DOES CERTIFY THAT THE AS-CONSTRUCTED INFORMATION, IF ACCURATE AND COMPLETE, PROVIDES AN AS-CONSTRUCTED SYSTEM WHICH SUBSTANTIALLY COMPLES IN ALL MATERIAL RESPECTS WITH THE ORIGINAL DESIGN INTENT.

TEAL A1 SIZE TITLEBLOCK V.2

PLOTTED DATE: 6/6/2011 5:03:12 PM BY: TODD DREBIT

H:\DRAFTING\CLIENTS\APACHE\PATRY\01(C-11-J-94-0-5) - CENTRAL DEHY\PID\PA01M06.DWG
LAST SAVED DATE: 6/6/2011 8:53:13 AM BY: TODD DREBIT



REFERENCE DWG. NO.	REFERENCE DRAWINGS	REV.	REVISION DESCRIPTION	PROJ. NO.	BY	DATE	CHD	APPD
-	-	A	ISSUED FOR OGC APPROVAL	100-10-005	TD	10.09.10	-	-
-	-	B	ISSUED FOR BID	100-10-005	PO	10.11.15	BW	FdC
-	-	0	ISSUED FOR CONSTRUCTION	100-10-005	TD	10.12.16	BW	FDC
-	-	1	AS BUILT	100-10-005	TD	11.06.06	TD	FDC
-	-	-	-	-	-	-	-	-
-	-	-	-	-	-	-	-	-
-	-	-	-	-	-	-	-	-
-	-	-	-	-	-	-	-	-

ENGINEER'S STAMP	PERMIT STAMP
<p>T. De CAIGNY #31792 BRITISH COLUMBIA ENGINEER</p>	<p>PPMP GENIVAR INC.</p> <p>Signature: <i>[Signature]</i> Date: <i>June 22/11</i></p>
ENGINEER AND PERMIT STAMPS APPLY TO AREAS OUTSIDE SKID LIMITS AND CLOUDED AREAS ONLY	

805 - 1331 MACLEOD TRAIL SE
CALGARY (ALBERTA)
CANADA T2G 0K3
PHONE: 403 777-2477 FAX: 403 777-2479
WWW.GENIVAR.COM

PATRY - CENTRAL DEHY.
c-11-J/94-0-5
SALES GAS HEADER
PIPING & INSTRUMENTATION DIAGRAM

DRAWN BY	DATE CREATED	SCALE	DRAWING NUMBER	REV.
T. DREBIT	2010-09-01	N.T.S.	A1-PA-01-M-06	1

THE SIGNATURE AND SEAL OF THE UNDERSIGNED ON THIS DRAWING CERTIFIES THAT THE DESIGN INFORMATION CONTAINED IN THESE DRAWINGS ACCURATELY REFLECTS THE ORIGINAL DESIGN AND THE MATERIAL DESIGN CHANGES MADE DURING CONSTRUCTION, THAT WERE BROUGHT TO THE UNDERSIGNED'S ATTENTION. THESE DRAWINGS ARE INTENDED TO INCORPORATE ADDENDA, CHANGE ORDERS AND OTHER MATERIAL DESIGN CHANGES, BUT NOT NECESSARILY ALL SITE INSTRUCTIONS.

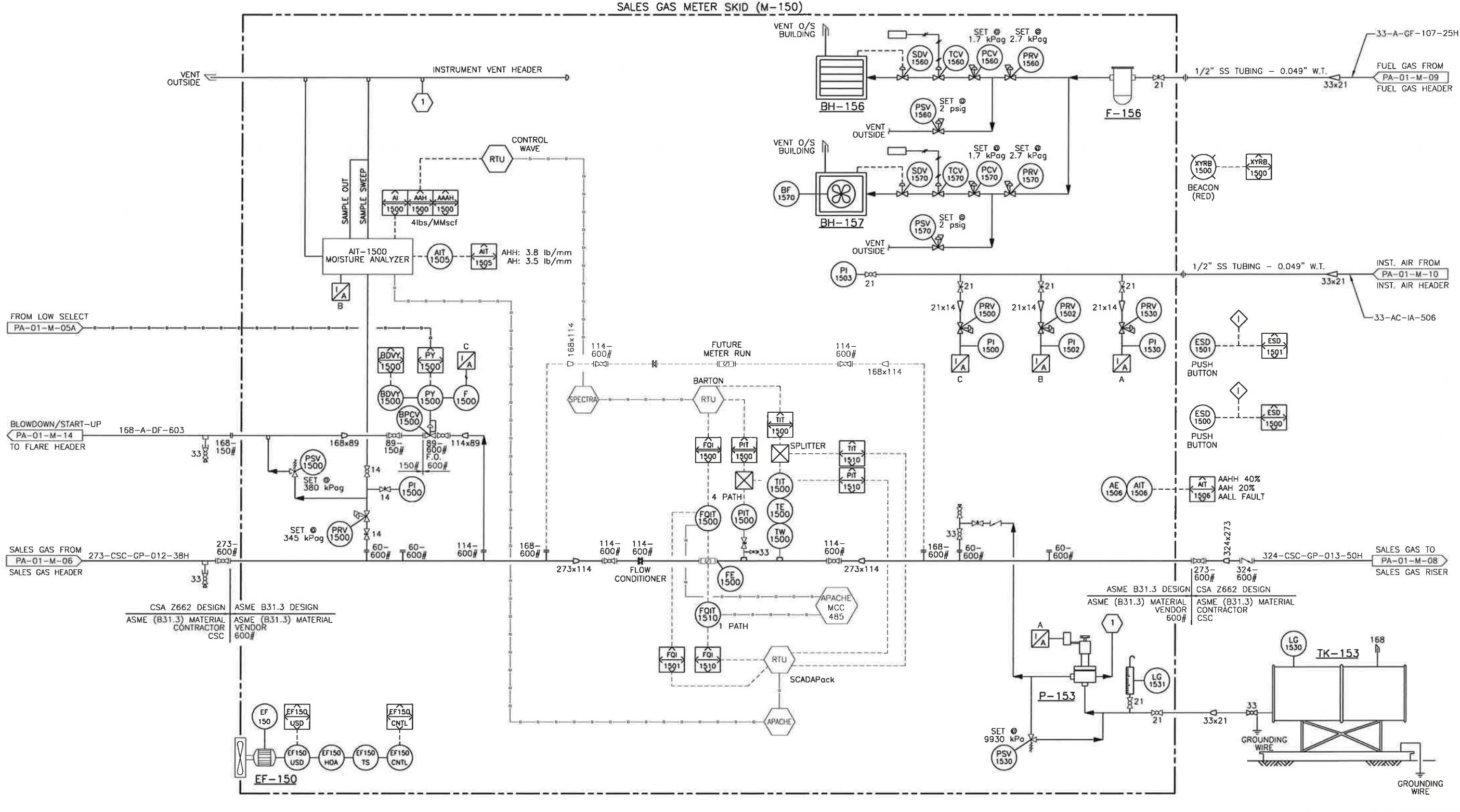
THE UNDERSIGNED DOES NOT WARRANT OR GUARANTEE, NOR ACCEPT ANY RESPONSIBILITY FOR THE ACCURACY OR COMPLETENESS OF THE AS-CONSTRUCTED INFORMATION SUPPLIED BY OTHERS CONTAINED IN THESE DRAWINGS, BUT DOES CERTIFY THAT THE AS-CONSTRUCTED INFORMATION, IF ACCURATE AND COMPLETE, PROVIDES AN AS-CONSTRUCTED SYSTEM WHICH SUBSTANTIALLY COMPLIES IN ALL MATERIAL RESPECTS WITH THE ORIGINAL DESIGN INTENT.

TEAL A1 SIZE TITLEBLOCK V.2

BY: TODD DREBIT
PLOTTED DATE: 6/6/2011 5:02:35 PM

BY: TODD DREBIT
LAST SAVED DATE: 6/6/2011 2:42:49 PM

- M-150**
SALES GAS METER
 114-600# Sch. 80
 SICK-MAIHAQ FLOWSIC600
 ULTRA-SONIC METER & METER TUBE
- BH-156**
BUILDING HEATER
 24"x24" CATADYNE
 120 VDC START
 PROTECTIVE GRILL
 VENT HOOD
 CAT-A-FAN MOUNTED ON HEATER
- BH-157**
BUILDING HEATER
 24"x24" CATADYNE
 120 VDC START
 PROTECTIVE GRILL
 VENT HOOD
 CAT-A-FAN MOUNTED ON HEATER
- P-153**
INHIBITOR PUMP
 MAKE: MORGAN
 MODEL: HD-312-3K
- F-156**
FUEL GAS FILTER
- TK-153**
INHIBITOR STORAGE TANK
- EF-150**
EXHAUST FAN



REFERENCE DWG. NO.	REFERENCE DRAWINGS	REV.	REVISION DESCRIPTION	PROJ. NO.	BY	DATE	CHD	APPD
		A	ISSUED FOR OGC APPROVAL	100-10-005	TD	10.09.10		
		B	ISSUED FOR BID	100-10-005	TD	10.10.26		
		C	ISSUED FOR BID - FACILITY	100-10-005	PO	10.11.15	BW	FdC
		D	ISSUED FOR CONSTRUCTION	100-10-005	TD	10.12.16	BW	FDC
		1	AS BUILT	100-10-005	TD	11.06.06	TD	EDS

ENGINEER'S STAMP

PERMIT STAMP

PPMP
GENIVAR INC.
Signature: [Signature]
Date: June 7/2011

ENGINEER AND PERMIT STAMPS APPLY TO AREAS OUTSIDE SKID LIMITS AND CLOUDED AREAS ONLY

GENIVAR
805 - 1331 MACLEOD TRAIL SE
CALGARY (ALBERTA)
CANADA T2C 0K3
PHONE: 403 777-2477 FAX: 403 777-2479
WWW.GENIVAR.COM

Apache CANADA LTD
PATRY - CENTRAL DEHY.
c-11-J/94-0-5
SALES GAS METER (M-150)
PIPING & INSTRUMENTATION DIAGRAM

DRAWN BY	DATE CREATED	SCALE	DRAWING NUMBER	REV.
T. DREBIT	2010-09-01	N.T.S.	A1-PA-01-M-07	1

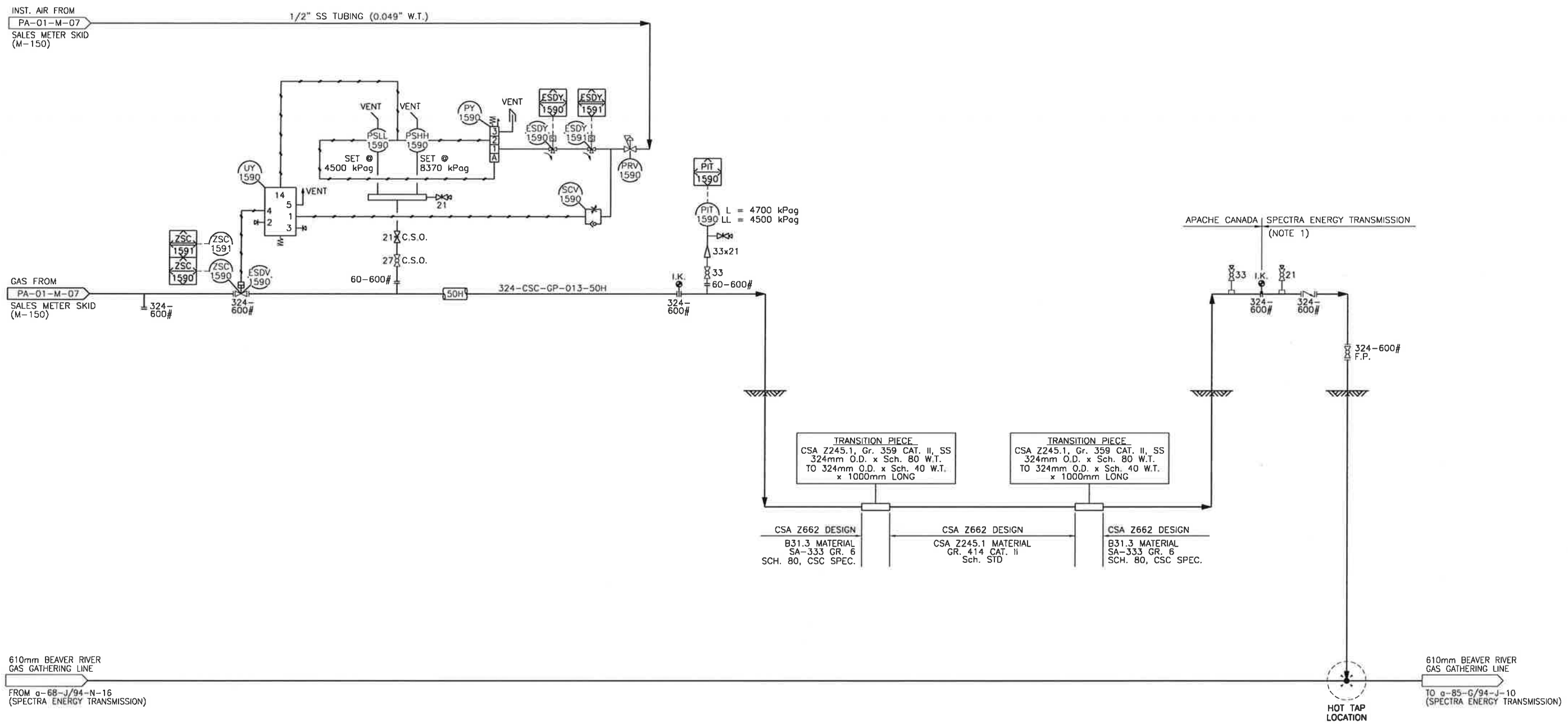
THE SIGNATURE AND SEAL OF THE UNDERSIGNED ON THIS DRAWING CERTIFIES THAT THE DESIGN INFORMATION CONTAINED IN THESE DRAWINGS ACCURATELY REFLECTS THE ORIGINAL DESIGN AND THE MATERIAL DESIGN CHANGES MADE DURING CONSTRUCTION, THAT WERE BROUGHT TO THE UNDERSIGNED'S ATTENTION. THESE DRAWINGS ARE INTENDED TO INCORPORATE ADDENDA, CHANGE ORDERS AND OTHER MATERIAL DESIGN CHANGES, BUT NOT NECESSARILY ALL SITE INSTRUCTIONS.

THE UNDERSIGNED DOES NOT WARRANT OR GUARANTEE, NOR ACCEPT ANY RESPONSIBILITY FOR THE ACCURACY OR COMPLETENESS OF THE AS-CONSTRUCTED INFORMATION SUPPLIED BY OTHERS CONTAINED IN THESE DRAWINGS, BUT DOES CERTIFY THAT THE AS-CONSTRUCTED INFORMATION, IF ACCURATE AND COMPLETE, PROVIDES AN AS-CONSTRUCTED SYSTEM WHICH SUBSTANTIALLY COMPLIES IN ALL MATERIAL RESPECTS WITH THE ORIGINAL DESIGN INTENT.

TEAL A1 SIZE TITLEBLOCK V.2

PLOTTED DATE: 6/6/2011 5:02:32 PM BY: TODD DREBIT

H:\DRAFTING\CLIENTS\APACHE\PATRY\01(C-11-J-94-0-5) - CENTRAL DEHY\PID\PA01M08.DWG
LAST SAVED DATE: 6/6/2011 9:02:25 AM BY: TODD DREBIT



NOTES
1. SUPPLIED BY SPECTRA ENERGY CANADA.

REFERENCE DWG. NO.	REFERENCE DRAWINGS	REV.	REVISION DESCRIPTION	PROJ. NO.	BY	DATE	CHD	APPD
PL-9600-430/01	TIE-IN ISOMETRIC - WESTCOAST ENERGY	A	ISSUED FOR OGC APPROVAL	100-10-005	TD	10.09.10		
		B	ISSUED FOR BID	100-10-005	PO	10.11.15	BW	FdC
		0	ISSUED FOR CONSTRUCTION	100-10-005	TD	10.12.16	BW	FDC
		1	AS BUILT	100-10-005	TD	11.06.06	TD	SDC

ENGINEER'S STAMP

 Signature: *[Signature]*
 Date: June 22/11

PERMIT STAMP
 PPMP
 GENIVAR INC.
 Signature: *[Signature]*
 Date: June 22/11

ENGINEER AND PERMIT STAMPS APPLY TO AREAS OUTSIDE SKID LIMITS AND CLOUDED AREAS ONLY

GENIVAR
 805 - 1331 MACLEOD TRAIL SE
 CALGARY (ALBERTA)
 CANADA T2G 0K3
 PHONE: 403 777-2477 FAX: 403 777-2478
 WWW.GENIVAR.COM

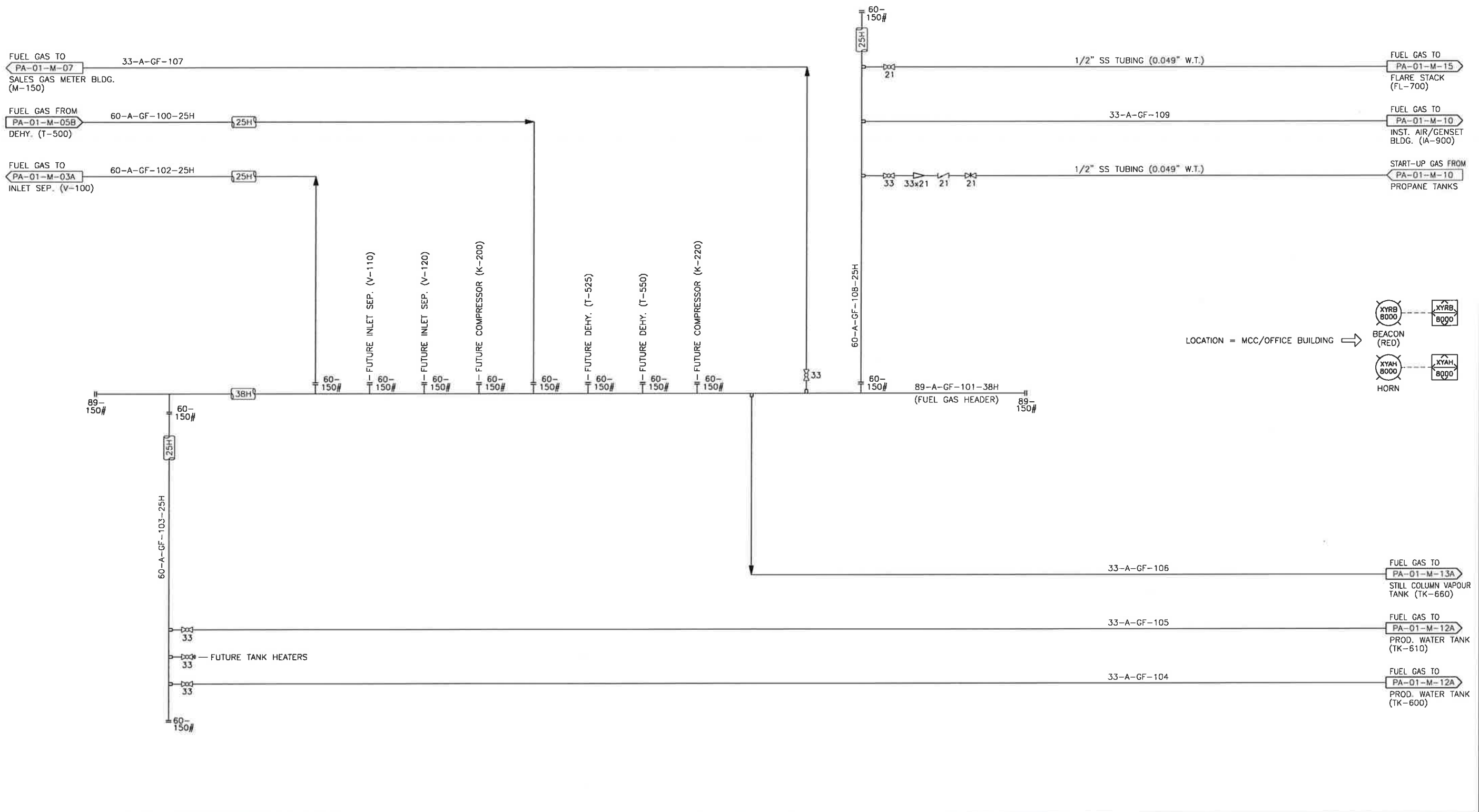
Apache CANADA LTD
 PATRY - CENTRAL DEHY.
 c-11-J/94-0-5
 SALES AREA
 PIPING & INSTRUMENTATION DIAGRAM

DRAWN BY	DATE CREATED	SCALE	DRAWING NUMBER	REV.
T. DREBIT	2010-09-01	N.T.S.	A1-PA-01-M-08	1

TEAL A1 SIZE TITLEBLOCK V.2

PLOTTED DATE: 6/6/2011 5:02:15 PM BY: TODD DREBIT

H:\DRAFTING\CLIENTS\APACHE\PATRY\01(C-11-J-94-0-5) - CENTRAL DEHY\PID\PA01M09.DWG
LAST SAVED DATE: 6/6/2011 8:15:46 AM BY: TODD DREBIT



REFERENCE DWG. NO.	REFERENCE DRAWINGS	REV.	REVISION DESCRIPTION	PROJ. NO.	BY	DATE	CHD	APPD
-	-	A	ISSUED FOR OGC APPROVAL	100-10-005	TD	10.09.10	-	-
-	-	B	ISSUED FOR BID	100-10-005	PO	10.11.15	BW	FdC
-	-	O	ISSUED FOR CONSTRUCTION	100-10-005	TD	10.12.16	BW	FDC
-	-	1	AS BUILT	100-10-005	TD	11.06.06	TD	FDC
-	-	-	-	-	-	-	-	-
-	-	-	-	-	-	-	-	-
-	-	-	-	-	-	-	-	-
-	-	-	-	-	-	-	-	-
-	-	-	-	-	-	-	-	-

ENGINEER'S STAMP

PERMIT STAMP

PPMP
GENIVAR INC.

Signature: *[Signature]*
Date: *June 22/11*

PROFESSIONAL ENGINEER
F. De CAIGNY
#31792
BRITISH COLUMBIA

June 7/2011

ENGINEER AND PERMIT STAMPS APPLY TO AREAS OUTSIDE SKID LIMITS AND CLOUDED AREAS ONLY

GENIVAR

805 - 1331 MACLEOD TRAIL SE
CALGARY (ALBERTA)
CANADA T2G 0K3
PHONE: 403 777-2477 FAX: 403 777-2479
WWW.GENIVAR.COM

DRAWN BY: T. DREBIT
DATE CREATED: 2010-09-01
SCALE: N.T.S.

Apache
CANADA LTD

PATRY - CENTRAL DEHY.
c-11-J/94-0-5
FUEL GAS HEADER
PIPING & INSTRUMENTATION DIAGRAM

DRAWING NUMBER	REV.
A1-PA-01-M-09	1

THE SIGNATURE AND SEAL OF THE UNDERSIGNED ON THIS DRAWING CERTIFIES THAT THE DESIGN INFORMATION CONTAINED IN THESE DRAWINGS ACCURATELY REFLECTS THE ORIGINAL DESIGN AND THE MATERIAL DESIGN CHANGES MADE DURING CONSTRUCTION, THAT WERE BROUGHT TO THE UNDERSIGNED'S ATTENTION. THESE DRAWINGS ARE INTENDED TO INCORPORATE ADDENDA, CHANGE ORDERS AND OTHER MATERIAL DESIGN CHANGES, BUT NOT NECESSARILY ALL SITE INSTRUCTIONS.

THE UNDERSIGNED DOES NOT WARRANT OR GUARANTEE, NOR ACCEPT ANY RESPONSIBILITY FOR THE ACCURACY OR COMPLETENESS OF THE AS-CONSTRUCTED INFORMATION SUPPLIED BY OTHERS CONTAINED IN THESE DRAWINGS, BUT DOES CERTIFY THAT THE AS-CONSTRUCTED INFORMATION, IF ACCURATE AND COMPLETE, PROVIDES AN AS-CONSTRUCTED SYSTEM WHICH SUBSTANTIALLY COMPLIES IN ALL MATERIAL RESPECTS WITH THE ORIGINAL DESIGN INTENT.

TEAL A1 SIZE TITLEBLOCK V.2
PLOTTED DATE: 6/6/2011 5:05:51 PM BY: TODD DREBIT
LAST SAVED DATE: 6/6/2011 3:11:19 PM BY: TODD DREBIT

K-910/911
ROTA NOVA NK-60
ROTA NOVA NK-60
SPEED: 7627 RPM
OPERATING PRESSURE: 862 kPag
CAPACITY: 68 SCFM @ 862 kPag

DRIVER MOTOR
WESTINGHOUSE 256T FRAME
20HP/TEFC/230-460VAC/3Ph/60Hz
3600 RPM

V-910
WET AIR RECEIVER
HORIZONTAL AIR RECEIVER
762mm O.D. x 2134mm S/S
CAPACITY: 908 LITRES
D.P.: 1379 kPag @ 232°C

G-900/901
MANUFACTURER: MTU
MODEL: 125-G6NLT1
POWER: 125 BHP

F-912
AIR PRE-FILTER
DELTECH
DF100-B-8-DG c/w POP UP
DIFFERENTIAL INDICATOR
CAPACITY: 100 SCFM

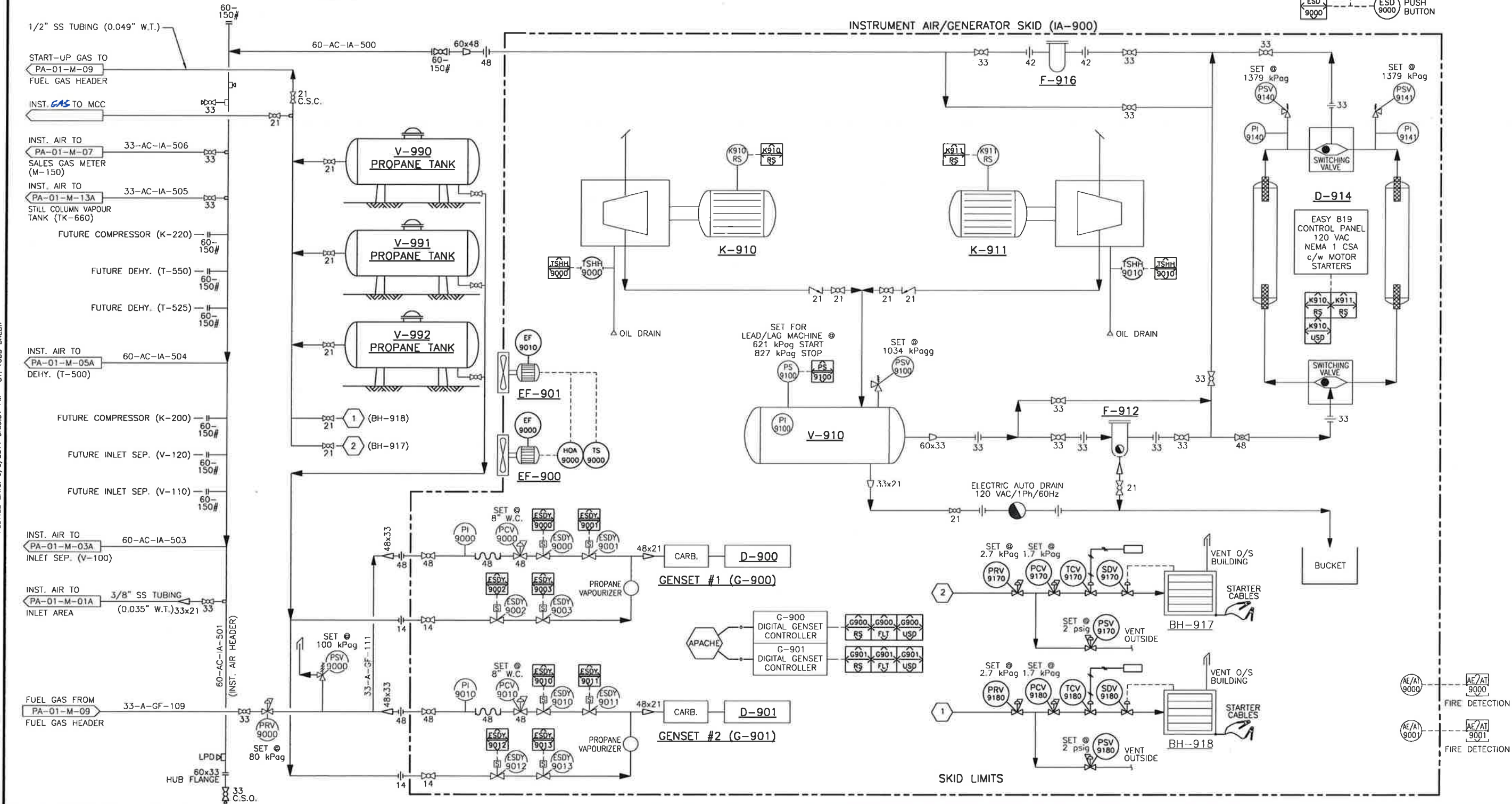
F-916
AIR AFTER FILTER
DELTECH
DF100-Y-8-G c/w POP UP
DIFFERENTIAL INDICATOR
CAPACITY: 100 SCFM

D-914
HEATLESS DESICCANT AIR DRYER
EAGLE EADR-80 120 VAC
CAP: 80 SCFM @ 38°C @ 690 kPag
DP: 1379 kPag @ 93°C

BH-917/918
BUILDING HEATER
12 VDC STARTER

FF-900/901
12" EXHAUST FAN
120 VAC/1Ph/60Hz

V-990/991/992
PROPANE TANKS



REFERENCE DWG. NO.	REFERENCE DRAWINGS	REV.	REVISION DESCRIPTION	PROJ. NO.	BY	DATE	CHD	APPD
		A	ISSUED FOR OGC APPROVAL	100-10-005	EH	10.08.25		
		B	ISSUED FOR BID	100-10-005	PO	10.11.15	BW	FdC
		O	ISSUED FOR CONSTRUCTION	100-10-005	TD	10.12.16	BW	FDC
		1	AS BUILT	100-10-005	TD	11.06.06	TD	FDC

ENGINEER'S STAMP

PROFESSIONAL ENGINEER
F. De CAIGNY #31792
BRITISH COLUMBIA

PERMIT STAMP

PPMP
GENIVAR INC.
Signature: [Signature]
Date: June 22/11

ENGINEER AND PERMIT STAMPS APPLY TO AREAS OUTSIDE SKID LIMITS AND CLOUDED AREAS ONLY

GENIVAR
805 - 1331 MACLEOD TRAIL SE
CALGARY (ALBERTA)
CANADA T2C 0K3
PHONE: 403 777-2477 FAX: 403 777-2479
WWW.GENIVAR.COM

Apache
CANADA LTD

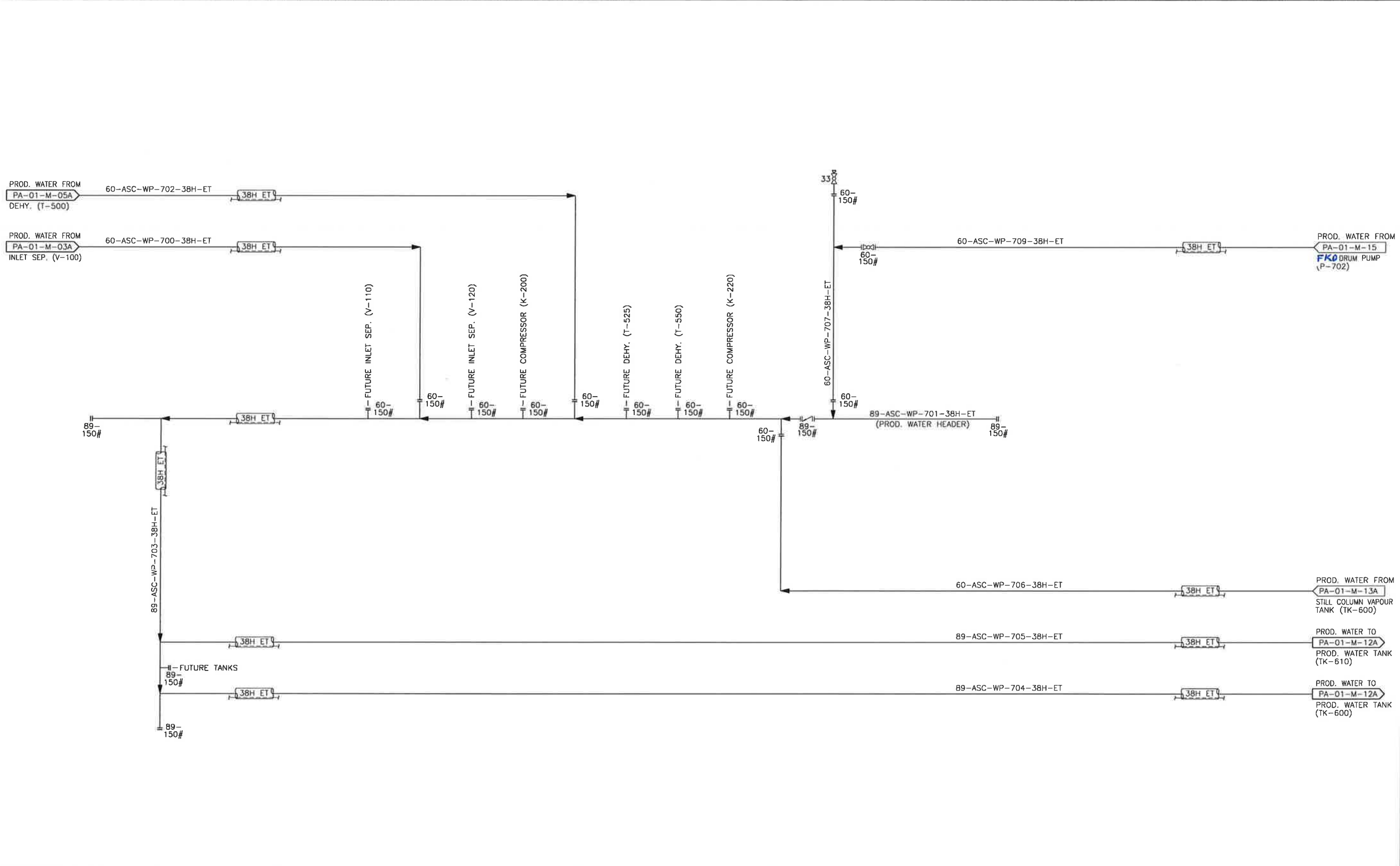
PATRY - CENTRAL DEHY.
c-11-J/94-0-5
INST. AIR/GENSET BUILDING (IA-900) & INST. AIR HEADER
PIPING & INSTRUMENTATION DIAGRAM

DRAWN BY	DATE CREATED	SCALE	DRAWING NUMBER	REV.
T. DREBIT	2010-09-01	N.T.S.	A1-PA-01-M-10	1

TEAL A1 SIZE TITLEBLOCK V.2

PLOTTED DATE: 6/6/2011 5:05:32 PM BY: TODD DREBIT

H:\DRAFTING\CLIENTS\APACHE\PATRY\01(C-11-J-94-0-5) - CENTRAL DEHYDRATION\PA01M11.DWG
LAST SAVED DATE: 6/6/2011 9:17:25 AM BY: TODD DREBIT



REFERENCE DWG. NO.	REFERENCE DRAWINGS	REV.	REVISION DESCRIPTION	PROJ. NO.	BY	DATE	CHD	APPD
		A	ISSUED FOR OGC APPROVAL	100-10-005	TD	10.09.10	BW	FdC
		B	ISSUED FOR BID	100-10-005	PO	10.11.15	BW	FdC
		O	ISSUED FOR CONSTRUCTION	100-10-005	TD	10.12.16	BW	FdC
		1	AS BUILT	100-10-005	TD	11.06.06	TB	FdC

ENGINEER'S STAMP

PERMIT STAMP

PPMP
GENIVAR INC.

Signature: *[Signature]*
Date: June 22/11

PROFESSIONAL
P. De CAIGNY
#31792
BRITISH
COLUMBIA
ENGINEER
June 7/2011

ENGINEER AND PERMIT STAMPS APPLY TO AREAS OUTSIDE SKID LIMITS AND CLOUDED AREAS ONLY

GENIVAR

805 - 1331 MACLEOD TRAIL SE
CALGARY (ALBERTA)
CANADA T2G 0K3
PHONE: 403 777-2477 FAX: 403 777-2479
WWW.GENIVAR.COM

DRAWN BY: T. DREBIT
DATE CREATED: 2010-09-01
SCALE: N.T.S.

Apache
CANADA LTD

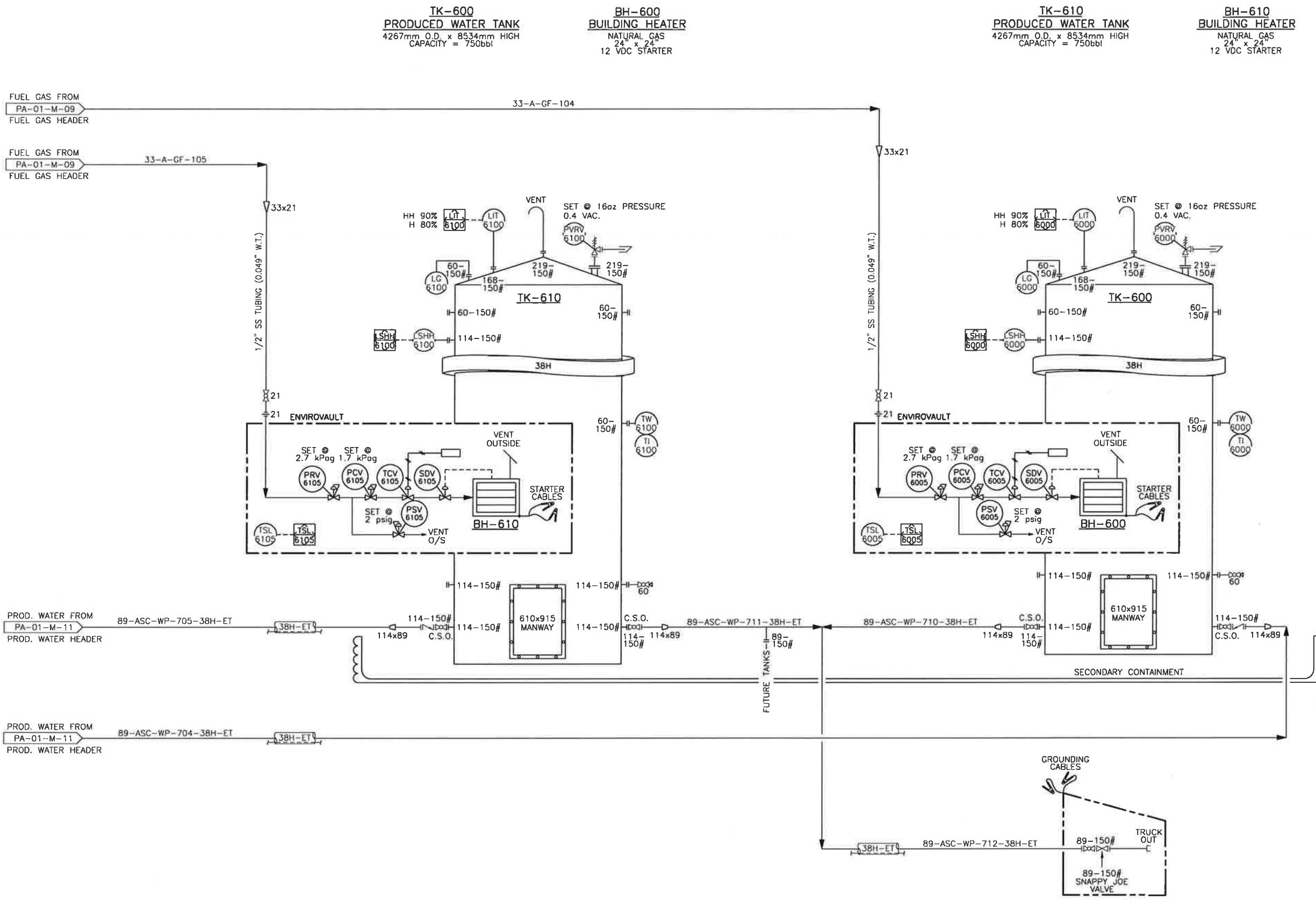
PATRY - CENTRAL DEHY.
c-11-J/94-0-5
PRODUCED WATER HEADER
PIPING & INSTRUMENTATION DIAGRAM

DRAWING NUMBER: A1-PA-01-M-11
REV.: 1

TEAL A1 SIZE TITLEBLOCK V.2

PLOTTED DATE: 6/6/2011 5:05:16 PM BY: TODD DREBIT

H:\DRAWING\CLIENTS\APACHE\PATRY\01C-11-J-94-0-5 - CENTRAL DEHY\PID\PA01M12ADWG LAST SAVED DATE: 6/6/2011 2:31:01 PM BY: TODD DREBIT



REFERENCE DWG. NO.	REFERENCE DRAWINGS	REV.	REVISION DESCRIPTION	PROJ. NO.	BY	DATE	CHD	APPD
B7498	ARGO SALES LTD. (TK-600)	A	ISSUED FOR OGC APPROVAL	100-10-005	TD	10.09.17	-	-
B7499	ARGO SALES LTD. (TK-610)	B	ISSUED FOR BID	100-10-005	PO	10.11.15	BW	FdC
-	-	D	ISSUED FOR CONSTRUCTION	100-10-005	TD	10.12.16	BW	FDC
-	-	1	AS BUILT	100-10-005	TD	11.06.06	TD	FDC

ENGINEER'S STAMP

PROFESSIONAL ENGINEER
 F. De CAIGNY
 #31792
 BRITISH COLUMBIA

PERMIT STAMP

PPMP
 GENIVAR INC.
 Signature: [Signature]
 Date: June 2/11

ENGINEER AND PERMIT STAMPS APPLY TO AREAS OUTSIDE SKID LIMITS AND CLOUDED AREAS ONLY

GENIVAR

805 - 1331 MACLEOD TRAIL SE
 CALGARY (ALBERTA)
 CANADA T2G 0K3
 PHONE: 403 777-2477 FAX: 403 777-2479
 WWW.GENIVAR.COM

DRAWN BY: T. DREBIT
 DATE CREATED: 2010-09-01
 SCALE: N.T.S.

Apache CANADA LTD

PATRY - CENTRAL DEHY.
 c-11-J/94-0-5
 PROD. WATER TANKS (TK-600 & TK-610)
 PIPING & INSTRUMENTATION DIAGRAM

DRAWING NUMBER: A1-PA-01-M-12A
 REV: 1

THE SIGNATURE AND SEAL OF THE UNDERSIGNED ON THIS DRAWING CERTIFIES THAT THE DESIGN INFORMATION CONTAINED IN THESE DRAWINGS ACCURATELY REFLECTS THE ORIGINAL DESIGN AND THE MATERIAL DESIGN CHANGES MADE DURING CONSTRUCTION, THAT WERE BROUGHT TO THE UNDERSIGNED'S ATTENTION. THESE DRAWINGS ARE INTENDED TO INCORPORATE ADDENDA, CHANGE ORDERS AND OTHER MATERIAL DESIGN CHANGES, BUT NOT NECESSARILY ALL SITE INSTRUCTIONS.

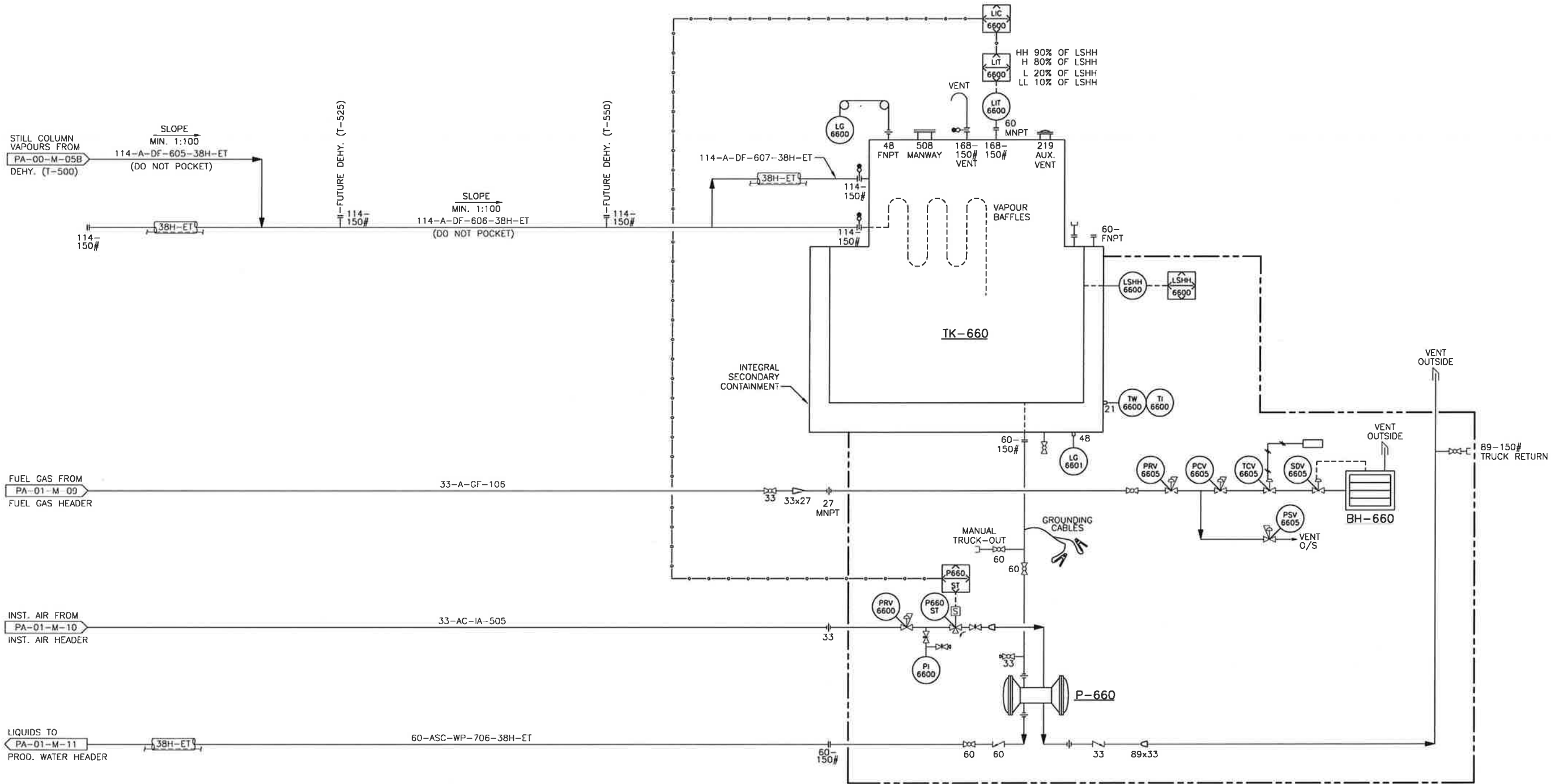
THE UNDERSIGNED DOES NOT WARRANT OR GUARANTEE, NOR ACCEPT ANY RESPONSIBILITY FOR THE ACCURACY OR COMPLETENESS OF THE AS-CONSTRUCTED INFORMATION SUPPLIED BY OTHERS CONTAINED IN THESE DRAWINGS, BUT DOES CERTIFY THAT THE AS-CONSTRUCTED INFORMATION, IF ACCURATE AND COMPLETE, PROVIDES AN AS-CONSTRUCTED SYSTEM WHICH SUBSTANTIALLY COMPLIES IN ALL MATERIAL RESPECTS WITH THE ORIGINAL DESIGN INTENT.

TEAL A1 SIZE TITLEBLOCK V.2

TK-660
STILL COLUMN VAPOUR TANK
 MANUFACTURER: TANKSAFE INC.
 SIZE: 3353mm OD
 CAPACITY: 100BBL

P-660
PNEUMATIC SANDPIPER PUMP

BH-660
BUILDING HEATER



PLOTTED DATE: 6/6/2011 5:05:01 PM BY: TODD DREBIT

H:\DRAWING\CLIENTS\APACHE\PATRY\01(C-11-J-94-0-5) - CENTRAL DEHY\PID\PA01M13A.DWG
 LAST SAVED DATE: 6/6/2011 9:30:18 AM BY: TODD DREBIT

REFERENCE DWG. NO.	REFERENCE DRAWINGS	REV.	REVISION DESCRIPTION	PROJ. NO.	BY	DATE	CHD	APPD
ACL-10D001	TANKSAFE INC.	A	ISSUED FOR OGC APPROVAL	100-10-005	TD	10.09.10	-	-
-	-	B	ISSUED FOR BID	100-10-005	PO	10.11.15	BW	FdC
-	-	O	ISSUED FOR CONSTRUCTION	100-10-005	TD	10.12.16	BW	FDC
-	-	1	AS BUILT	100-10-005	TD	11.06.06	TD	FDC
-	-	-	-	-	-	-	-	-
-	-	-	-	-	-	-	-	-
-	-	-	-	-	-	-	-	-
-	-	-	-	-	-	-	-	-

ENGINEER'S STAMP

PROFESSIONAL ENGINEER
 OF
 F.D. CAIGNY
 #31792
 BRITISH COLUMBIA
 ENGINEER
 June 7/2011

PERMIT STAMP

PPMP
 GENIVAR INC.
 Signature: [Signature]
 Date: June 22/11

ENGINEER AND PERMIT STAMPS APPLY TO AREAS OUTSIDE SKID LIMITS AND CLOUDED AREAS ONLY

GENIVAR
 805 - 1331 MACLEOD TRAIL SE
 CALGARY (ALBERTA)
 CANADA T2G 0K3
 PHONE: 403 777-2477 FAX: 403 777-2479
 WWW.GENIVAR.COM

DRAWN BY: T. DREBIT
 DATE CREATED: 2010-09-01

Apache CANADA LTD

PATRY - CENTRAL DEHY.
 c-11-J/94-0-5
 STILL COLUMN VAPOUR TANK (TK-660)
 PIPING & INSTRUMENTATION DIAGRAM

SCALE: N.T.S.
 DRAWING NUMBER: A1-PA-01-M-13A
 REV.: 1

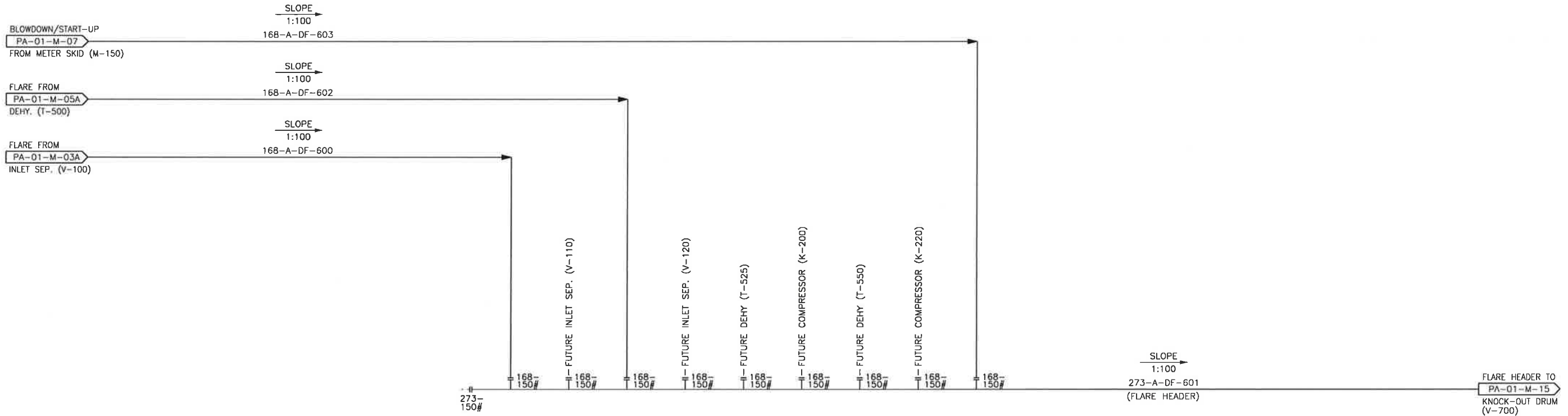
THE SIGNATURE AND SEAL OF THE UNDERSIGNED ON THIS DRAWING CERTIFIES THAT THE DESIGN INFORMATION CONTAINED IN THESE DRAWINGS ACCURATELY REFLECTS THE ORIGINAL DESIGN AND THE MATERIAL DESIGN CHANGES MADE DURING CONSTRUCTION, THAT WERE BROUGHT TO THE UNDERSIGNED'S ATTENTION. THESE DRAWINGS ARE INTENDED TO INCORPORATE ADDENDA, CHANGE ORDERS AND OTHER MATERIAL DESIGN CHANGES, BUT NOT NECESSARILY ALL SITE INSTRUCTIONS.

THE UNDERSIGNED DOES NOT WARRANT OR GUARANTEE, NOR ACCEPT ANY RESPONSIBILITY FOR THE ACCURACY OR COMPLETENESS OF THE AS-CONSTRUCTED INFORMATION SUPPLIED BY OTHERS CONTAINED IN THESE DRAWINGS, BUT DOES CERTIFY THAT THE AS-CONSTRUCTED INFORMATION, IF ACCURATE AND COMPLETE, PROVIDES AN AS-CONSTRUCTED SYSTEM WHICH SUBSTANTIALLY COMPLES IN ALL MATERIAL RESPECTS WITH THE ORIGINAL DESIGN INTENT.

TEAL A1 SIZE TITLEBLOCK V.2

PLOTTED DATE: 6/6/2011 5:04:43 PM BY: TODD DREBIT

H:\DRAWING\CLIENTS\APACHE\PATRY\01(C-11-J-94-0-5) - CENTRAL DEHY\PID\PA01M14.DWG
LAST SAVED DATE: 6/6/2011 9:27:06 AM BY: TODD DREBIT



REFERENCE DWG. NO.	REFERENCE DRAWINGS	REV.	REVISION DESCRIPTION	PROJ. NO.	BY	DATE	CHD	APPD
-	-	A	ISSUED FOR OGC APPROVAL	100-10-005	TD	10.09.10	-	-
-	-	B	ISSUED FOR BID	100-10-005	PO	10.11.15	BW	FdC
-	-	O	ISSUED FOR CONSTRUCTION	100-10-005	TD	10.12.16	BW	FDC
-	-	1	AS BUILT	100-10-005	TD	11.06.06	TD	FDC
-	-	-	-	-	-	-	-	-
-	-	-	-	-	-	-	-	-
-	-	-	-	-	-	-	-	-
-	-	-	-	-	-	-	-	-
-	-	-	-	-	-	-	-	-

ENGINEER'S STAMP

PERMIT STAMP

PPMP
GENIVAR INC.

Signature: *[Signature]*
Date: June 22/11

ENGINEER AND PERMIT STAMPS APPLY TO AREAS OUTSIDE SKID LIMITS AND CLOUDED AREAS ONLY

GENIVAR

805 - 1331 MACLEOD TRAIL SE
CALGARY (ALBERTA)
CANADA T2G 0K3
PHONE: 403 777-2477 FAX: 403 777-2479
WWW.GENIVAR.COM

DRAWN BY: T. DREBIT
DATE CREATED: 2010-09-01
SCALE: N.T.S.

Apache
CANADA LTD

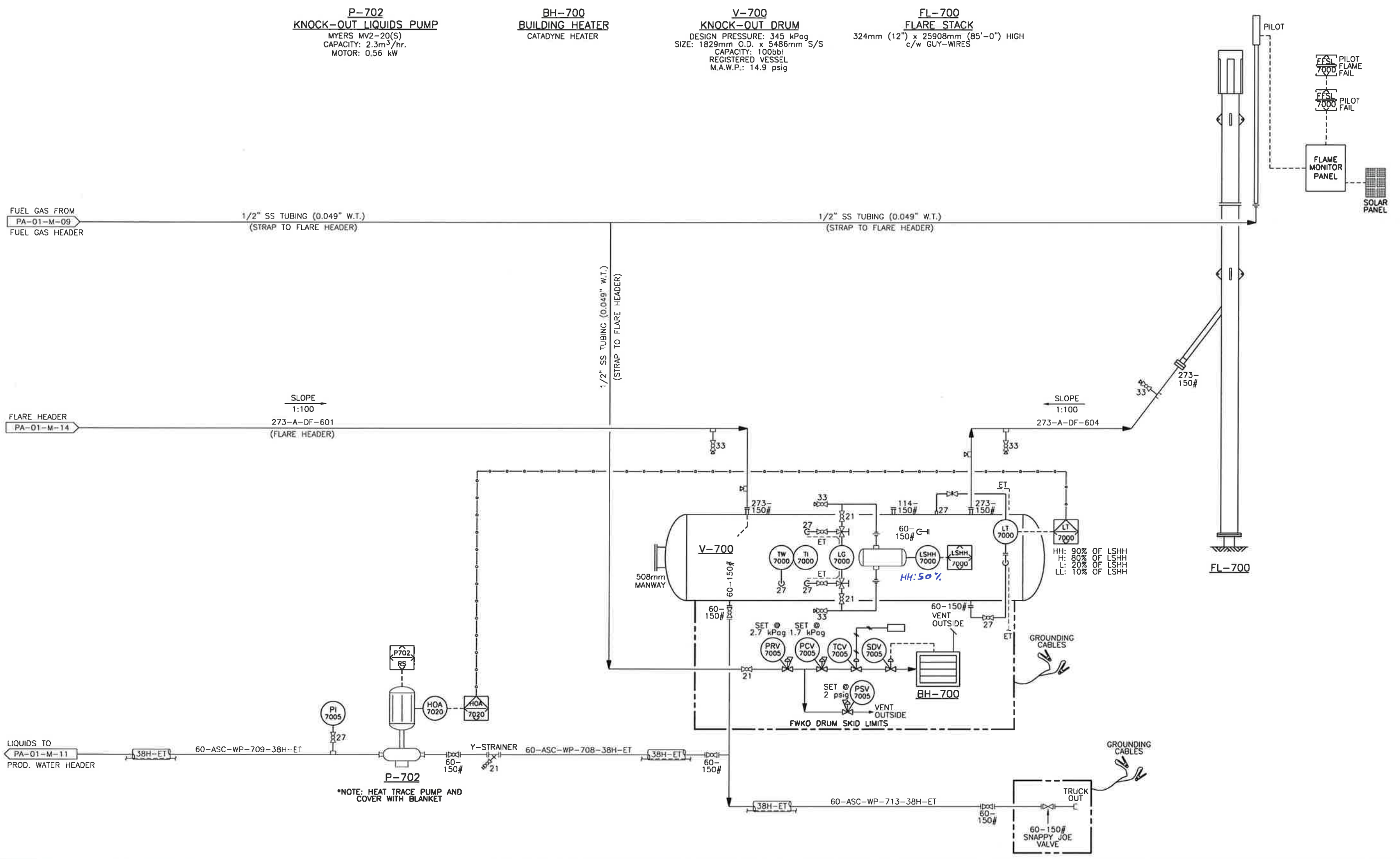
PATRY - CENTRAL DEHY.
c-11-J/94-0-5
FLARE HEADER
PIPING & INSTRUMENTATION DIAGRAM

DRAWING NUMBER	REV.
A1-PA-01-M-14	1

THE SIGNATURE AND SEAL OF THE UNDERSIGNED ON THIS DRAWING CERTIFIES THAT THE DESIGN INFORMATION CONTAINED IN THESE DRAWINGS ACCURATELY REFLECTS THE ORIGINAL DESIGN AND THE MATERIAL DESIGN CHANGES MADE DURING CONSTRUCTION, THAT WERE BROUGHT TO THE UNDERSIGNED'S ATTENTION. THESE DRAWINGS ARE INTENDED TO INCORPORATE ADDENDA, CHANGE ORDERS AND OTHER MATERIAL DESIGN CHANGES, BUT NOT NECESSARILY ALL SITE INSTRUCTIONS.

THE UNDERSIGNED DOES NOT WARRANT OR GUARANTEE, NOR ACCEPT ANY RESPONSIBILITY FOR THE ACCURACY OR COMPLETENESS OF THE AS-CONSTRUCTED INFORMATION SUPPLIED BY OTHERS CONTAINED IN THESE DRAWINGS, BUT DOES CERTIFY THAT THE AS-CONSTRUCTED INFORMATION, IF ACCURATE AND COMPLETE, PROVIDES AN AS-CONSTRUCTED SYSTEM WHICH SUBSTANTIALLY COMPLIES IN ALL MATERIAL RESPECTS WITH THE ORIGINAL DESIGN INTENT.

TEAL A1 SIZE TITLEBLOCK V.2
PLOTTED DATE: 6/6/2011 5:04:24 PM BY: TODD DREBIT
LAST SAVED DATE: 6/6/2011 4:34:49 PM BY: TODD DREBIT



REFERENCE DWG. NO.	REFERENCE DRAWINGS	REV.	REVISION DESCRIPTION	PROJ. NO.	BY	DATE	CHD	APPD
T2091-900	NUSCO MANUFACTURING & SUPPLY LTD. (KNOCK-OUT DRUM)	A	ISSUED FOR OGC APPROVAL	100-10-005	EH	10.09.17	-	-
03-D-2088	PYRAMID CORPORATION (FLARE STACK)	B	ISSUED FOR BID	100-10-005	PO	10.11.15	BW	FdC
		0	ISSUED FOR CONSTRUCTION	100-10-005	TD	10.12.16	BW	FDC
		1	AS BUILT	100-10-005	TD	11.06.06	TB	FEBC

ENGINEER'S STAMP

PROFESSIONAL ENGINEER
F. De CAIGNY #31792
BRITISH COLUMBIA

PERMIT STAMP

PPMP
GENIVAR INC.
Signature: [Signature]
Date: June 22/11

ENGINEER AND PERMIT STAMPS APPLY TO AREAS OUTSIDE SKID LIMITS AND CLOUDED AREAS ONLY

GENIVAR
805 - 1331 MACLEOD TRAIL SE
CALGARY (ALBERTA)
CANADA T2C 0K3
PHONE: 403 777-2477 FAX: 403 777-2479
WWW.GENIVAR.COM

Apache CANADA LTD
PATRY - CENTRAL DEHY.
c-11-J/94-0-5
KNOCK-OUT DRUM (V-700) & FLARE STACK (FL-700)
PIPING & INSTRUMENTATION DIAGRAM

DRAWN BY	DATE CREATED	SCALE	DRAWING NUMBER	REV.
T. DREBIT	2010-09-01	N.T.S.	A1-PA-01-M-15	1