



**EQUIPMENT UT DATA REPORT**

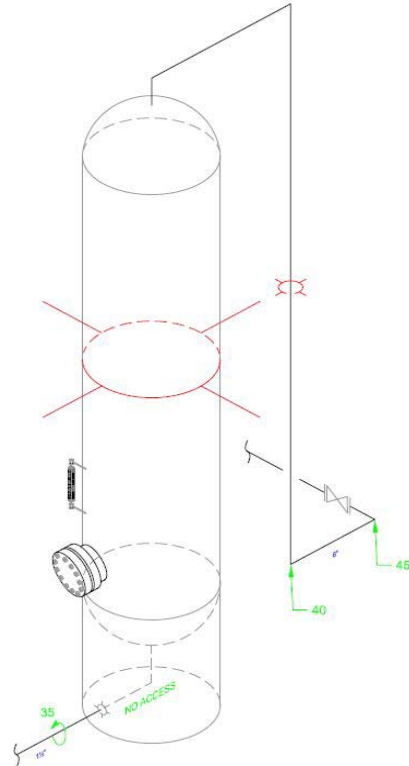
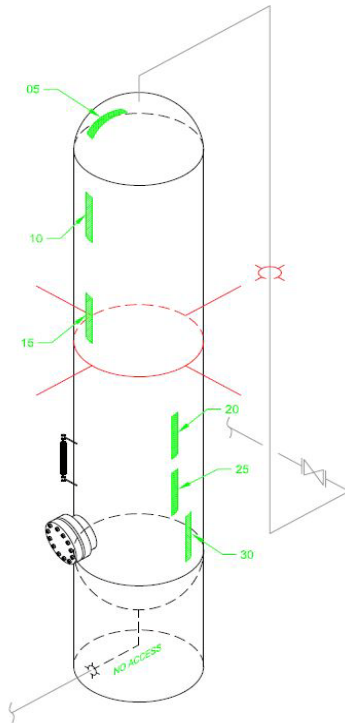
**Customer:** Chevron - Canada  
**Facility:** W008  
**LSD:** C-11-J/94-O-5  
**Field:** KUS Liard  
**Equipment:** Glycor Contactor

**Tag No.:** T-500  
**Reg No.:** A0485078  
**CRN:** P2157.21  
**S/N:** 00190-201  
**Last Survey:** 10/30/2016

**UT No.:** N/A  
**Year Built:** 2000

**UT Data Review Date:** 1/10/2017  
**Reviewed By:** Matthew Mackay

**Comments:** 2016 survey did not show any issues. Next inspection due Oct 2017.



**EQUIPMENT UT DATA REPORT**

Equipment Glycor Contactor  
 UT No. N/A

Tag No. T-500  
 Reg No.: A0485078

Test Location	5	Nominal Wall Thickness (in)	2.626
Loc Description	Top Head	Corrosion Allowance (in)	0.125
Other		Minimum Allowable (in)	2.501
Survey Direction			

**UT SURVEY THICKNESS READINGS**

Date (d/m/y)	1-Oct-12	30-Oct-16
Start (in)	2.776	2.736
End (in)	2.726	2.864
Min (in)	2.724	2.731

**REMAINING LIFE CALCULATIONS (API 510)**

Date (d/m/y)	Min WT (in)	Allow WT (in)	STCR (in/yr)	LTCR (in/yr)	Rem Life (yrs)	Flag
1-Oct-12	2.724	0.223	BASE	BASE	BASE	
30-Oct-16	2.731	0.231	0.000	0.000	20.00	

Test Location	10	Nominal Wall Thickness (in)	2.756
Loc Description	Top Shell	Corrosion Allowance (in)	0.125
Other		Minimum Allowable (in)	2.631
Survey Direction			

**UT SURVEY THICKNESS READINGS**

Date (d/m/y)	1-Oct-12	30-Oct-16
Start (in)	2.783	2.779
End (in)	2.764	2.801
Min (in)	2.764	2.775

**REMAINING LIFE CALCULATIONS (API 510)**

Date (d/m/y)	Min WT (in)	Allow WT (in)	STCR (in/yr)	LTCR (in/yr)	Rem Life (yrs)	Flag
1-Oct-12	2.764	0.133	BASE	BASE	BASE	
30-Oct-16	2.775	0.144	0.000	0.000	20.00	

Test Location	15	Nominal Wall Thickness (in)	2.756
Loc Description	Middle Shell @Roof	Corrosion Allowance (in)	0.125
Other		Minimum Allowable (in)	2.631
Survey Direction			

**UT SURVEY THICKNESS READINGS**

Date (d/m/y)	1-Oct-12	30-Oct-16
Start (in)	2.787	2.811
End (in)	2.769	2.812
Min (in)	2.768	2.809

**REMAINING LIFE CALCULATIONS (API 510)**

Date (d/m/y)	Min WT (in)	Allow WT (in)	STCR (in/yr)	LTCR (in/yr)	Rem Life (yrs)	Flag
1-Oct-12	2.768	0.137	BASE	BASE	BASE	
30-Oct-16	2.809	0.179	0.000	0.000	20.00	

**EQUIPMENT UT DATA REPORT**

Equipment Glycor Contactor  
 UT No. N/A

Tag No. T-500  
 Reg No.: A0485078

Test Location	20	Nominal Wall Thickness (in)	2.756
Loc Description	Lower Shell	Corrosion Allowance (in)	0.125
Other		Minimum Allowable (in)	2.631
Survey Direction			

**UT SURVEY THICKNESS READINGS**

Date (d/m/y)	1-Oct-12	30-Oct-16
Start (in)	2.811	2.834
End (in)	2.799	2.807
Min (in)	2.787	2.804

**REMAINING LIFE CALCULATIONS (API 510)**

Date (d/m/y)	Min WT (in)	Allow WT (in)	STCR (in/yr)	LTCR (in/yr)	Rem Life (yrs)	Flag
1-Oct-12	2.787	0.156	BASE	BASE	BASE	
30-Oct-16	2.804	0.173	0.000	0.000	20.00	

Test Location	25	Nominal Wall Thickness (in)	2.756
Loc Description	Lower Shell@ Liquid level	Corrosion Allowance (in)	0.125
Other		Minimum Allowable (in)	2.631
Survey Direction			

**UT SURVEY THICKNESS READINGS**

Date (d/m/y)	1-Oct-12	30-Oct-16
Start (in)	2.807	2.823
End (in)	2.790	2.810
Min (in)	2.787	2.796

**REMAINING LIFE CALCULATIONS (API 510)**

Date (d/m/y)	Min WT (in)	Allow WT (in)	STCR (in/yr)	LTCR (in/yr)	Rem Life (yrs)	Flag
1-Oct-12	2.787	0.156	BASE	BASE	BASE	
30-Oct-16	2.796	0.166	0.000	0.000	20.00	

Test Location	30	Nominal Wall Thickness (in)	2.756
Loc Description	Bottom Shell	Corrosion Allowance (in)	0.125
Other		Minimum Allowable (in)	2.631
Survey Direction			

**UT SURVEY THICKNESS READINGS**

Date (d/m/y)	1-Oct-12	30-Oct-16
Start (in)	2.811	2.839
End (in)	2.764	2.795
Min (in)	2.764	2.790

**REMAINING LIFE CALCULATIONS (API 510)**

Date (d/m/y)	Min WT (in)	Allow WT (in)	STCR (in/yr)	LTCR (in/yr)	Rem Life (yrs)	Flag
1-Oct-12	2.764	0.133	BASE	BASE	BASE	
30-Oct-16	2.790	0.159	0.000	0.000	20.00	

**EQUIPMENT UT DATA REPORT**

Equipment Glycor Contactor  
 UT No. N/A

Tag No. T-500  
 Reg No.: A0485078

Test Location	35	Nominal Wall Thickness (in)	0.343
Loc Description	1.5" Circ	Corrosion Allowance (in)	0.125
Other		Minimum Allowable (in)	0.218
Survey Direction			

**UT SURVEY THICKNESS READINGS**

Date (d/m/y)	1-Oct-12	30-Oct-16
Start (in)	0.378	0.355
End (in)	0.361	0.385
Min (in)	0.350	0.354

**REMAINING LIFE CALCULATIONS (API 510)**

Date (d/m/y)	Min WT (in)	Allow WT (in)	STCR (in/yr)	LTCR (in/yr)	Rem Life (yrs)	Flag
1-Oct-12	0.350	0.133	BASE	BASE	BASE	
30-Oct-16	0.354	0.136	0.000	0.000	20.00	

Test Location	40	Nominal Wall Thickness (in)	0.563
Loc Description	6" 90L	Corrosion Allowance (in)	0.125
Other		Minimum Allowable (in)	0.438
Survey Direction			

**UT SURVEY THICKNESS READINGS**

Date (d/m/y)	1-Oct-12	30-Oct-16
Start (in)	0.575	0.600
End (in)	0.547	0.604
Min (in)	0.531	0.571

**REMAINING LIFE CALCULATIONS (API 510)**

Date (d/m/y)	Min WT (in)	Allow WT (in)	STCR (in/yr)	LTCR (in/yr)	Rem Life (yrs)	Flag
1-Oct-12	0.531	0.094	BASE	BASE	BASE	
30-Oct-16	0.571	0.133	0.000	0.000	20.00	

Test Location	45	Nominal Wall Thickness (in)	0.562
Loc Description	6" 90L	Corrosion Allowance (in)	0.125
Other		Minimum Allowable (in)	0.437
Survey Direction			

**UT SURVEY THICKNESS READINGS**

Date (d/m/y)	1-Oct-12	30-Oct-16
Start (in)	0.579	0.581
End (in)	0.558	0.575
Min (in)	0.555	0.567

**REMAINING LIFE CALCULATIONS (API 510)**

Date (d/m/y)	Min WT (in)	Allow WT (in)	STCR (in/yr)	LTCR (in/yr)	Rem Life (yrs)	Flag
1-Oct-12	0.555	0.118	BASE	BASE	BASE	
30-Oct-16	0.567	0.130	0.000	0.000	20.00	