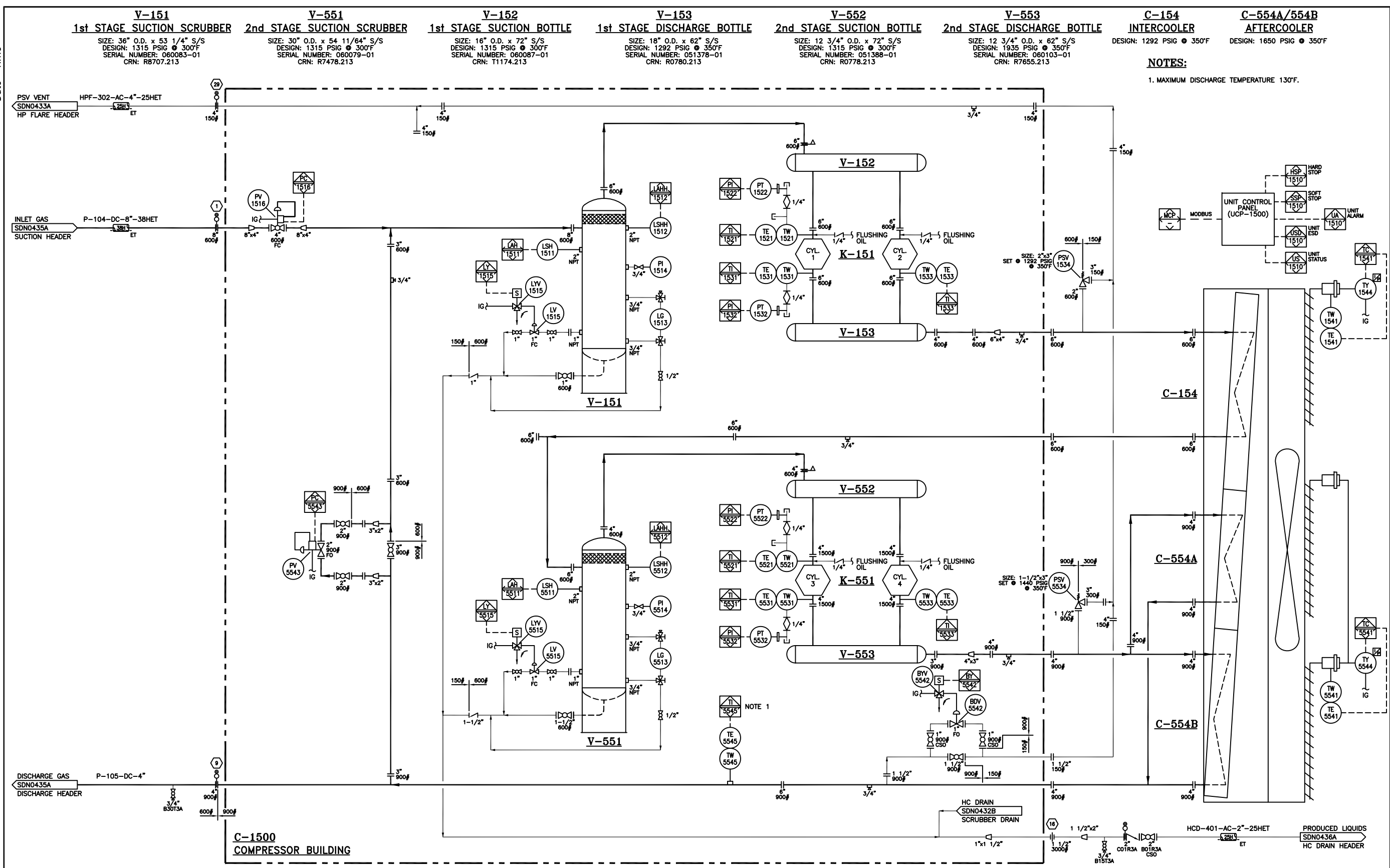


Date Time



**NOTES:**  
1. MAXIMUM DISCHARGE TEMPERATURE 130°F.

REFERENCE DRAWINGS	DWG. NO.	NO.	DATE	PROJECT DESCRIPTION	PROJ.	AFE	EPCM Co.	EPCM No.	APPD.	ISSUE STAGE	DATE	BY	CHKD.	APPD.	PERMIT STAMP	ENGINEER'S STAMP
		1	2007-07-05	COMPRESSOR 1500 INSTALLATION		790208	SOLARIS	E07-0255		Prelim. (A)	2007-08-29	WM	DM	GS		
										Bid (B)						
										Constr. (C)	2007-07-05	JMM	MY	GS		
										As-built (D)	2007-11-02	DL	DM			

<p><b>CAUTION : READ BEFORE EXCAVATION</b> ALL EXCAVATIONS MUST BE CARRIED OUT AS PER "ENCANA'S GROUND DISTURBANCE PRACTICE"</p>		<p>COMP. STN. D-85-G D-85-G/93-P-7 COMPRESSOR STATION D-85-G/93-P-7 NTS (A1 Size) E07-0255</p>
<p><b>ENCANA</b></p>		<p><b>SOLARIS MANAGEMENT CONSULTANTS INC.</b></p>
<p>TITLE PIPING AND INSTRUMENTATION DIAGRAM C-1500 COMPRESSOR</p>		<p>CLASS FILE NO. A SDN0432A</p>
<p>AREA SUNDOWN</p>		<p>1D1</p>

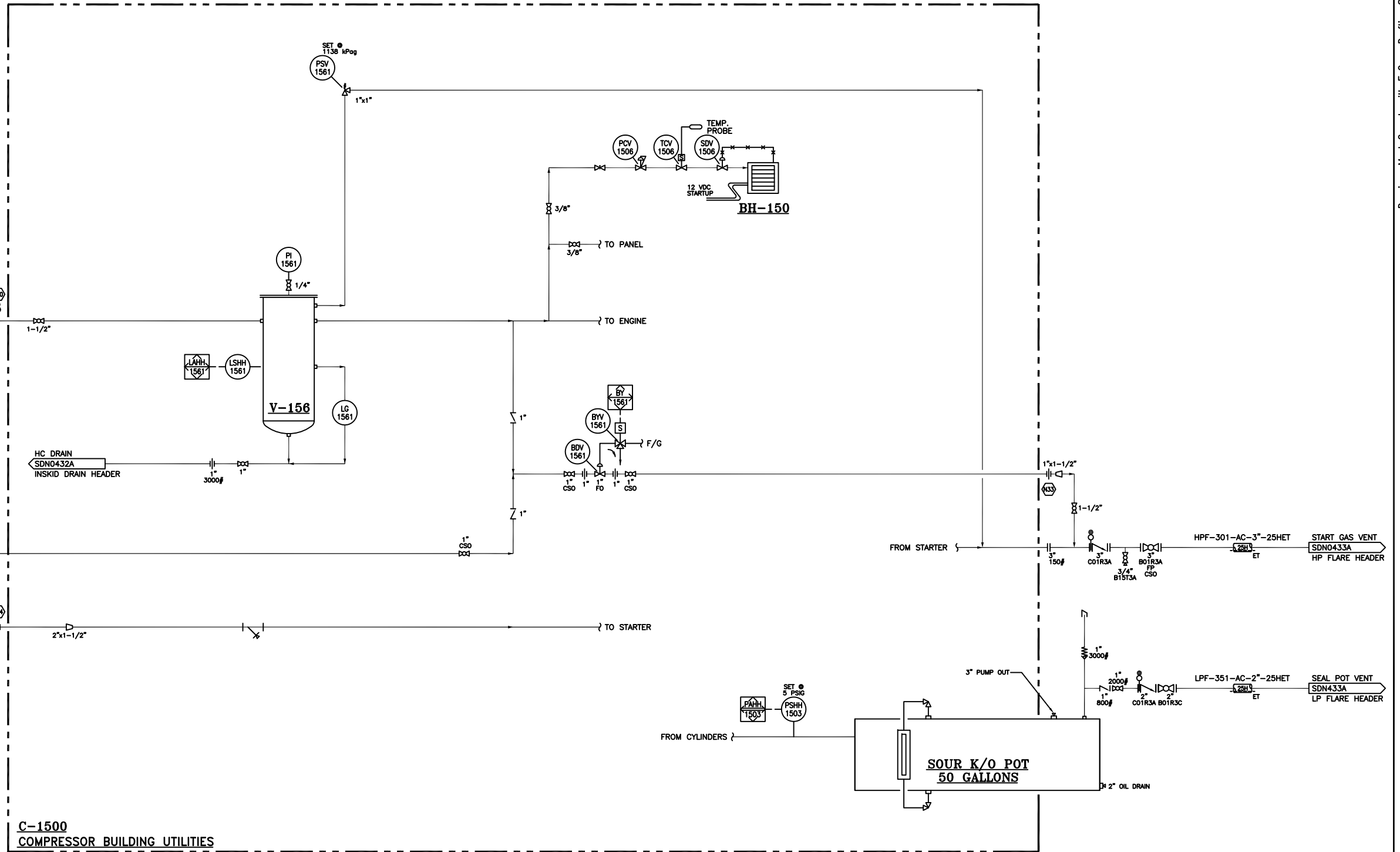
Drawings Must Comply with EnCana Drafting Standards (ECA-A-1)

FILE: F:\Jobs\Encana\2007\07-0255 d-85-g Compressor\3 Project Drawings\200 P&ID\SDN0432A.dwg

Date Time

**V-156**  
**FUEL GAS SCRUBBER**  
 SIZE: 8.625" O.D. x 4'-3" S/S  
 DESIGN: 285 PSIG @ 100°F

**BH-150**  
**CATADYNE HEATER**  
 MODEL: MK2448-11111  
 DUTY: 32 MBTU  
 ELECTRICAL: 12 V



**C-1500**  
**COMPRESSOR BUILDING UTILITIES**

CAUTION : READ BEFORE EXCAVATION  
 ALL EXCAVATIONS MUST BE CARRIED OUT AS PER  
 "ENCANA'S GROUND DISTURBANCE PRACTICE"

NO.	DATE	PROJECT DESCRIPTION	PROJ.	AFE	EPCM Co.	EPCM No.	APPD.
1	2007-07-05	COMPRESSOR 1500 INSTALLATION	-	790208	SOLARIS	E07-0255	-
-	-	-	-	-	-	-	-
-	-	-	-	-	-	-	-
-	-	-	-	-	-	-	-
-	-	-	-	-	-	-	-
-	-	-	-	-	-	-	-
-	-	-	-	-	-	-	-

REV. NUMBER	ISSUE STAGE	DATE	BY	CHKD.	APPD.
1D1	Prelim. (A)	2007-06-29	WM	DM	GS
-	Bid (B)	-	-	-	-
-	Constr. (C)	2007-07-05	JMM	MY	GS
-	As-built (D)	2007-11-02	DL	DM	-
-	-	-	-	-	-
-	-	-	-	-	-
-	-	-	-	-	-

PERMIT STAMP	ENGINEER'S STAMP
PERMIT STAMP AND PROFESSIONAL STAMP AFFIXED ABOVE SHALL APPLY ONLY TO REV(S)	1D1

ENCANA.

COMP. STN. D-85-G D-85-G/93-P-7 COMPRESSOR STATION D-85-G/93-P-7 NTS (A1 Size) E07-0255	SOLARIS MANAGEMENT CONSULTANTS INC. PIPING AND INSTRUMENTATION DIAGRAM C-1500 COMPRESSOR - BUILDING UTILITIES SUNDOWN CLASS A FILE NO. SDN0432B
---	---

Drawings Must Comply with Encana Drafting Standards (ECA-A-1)