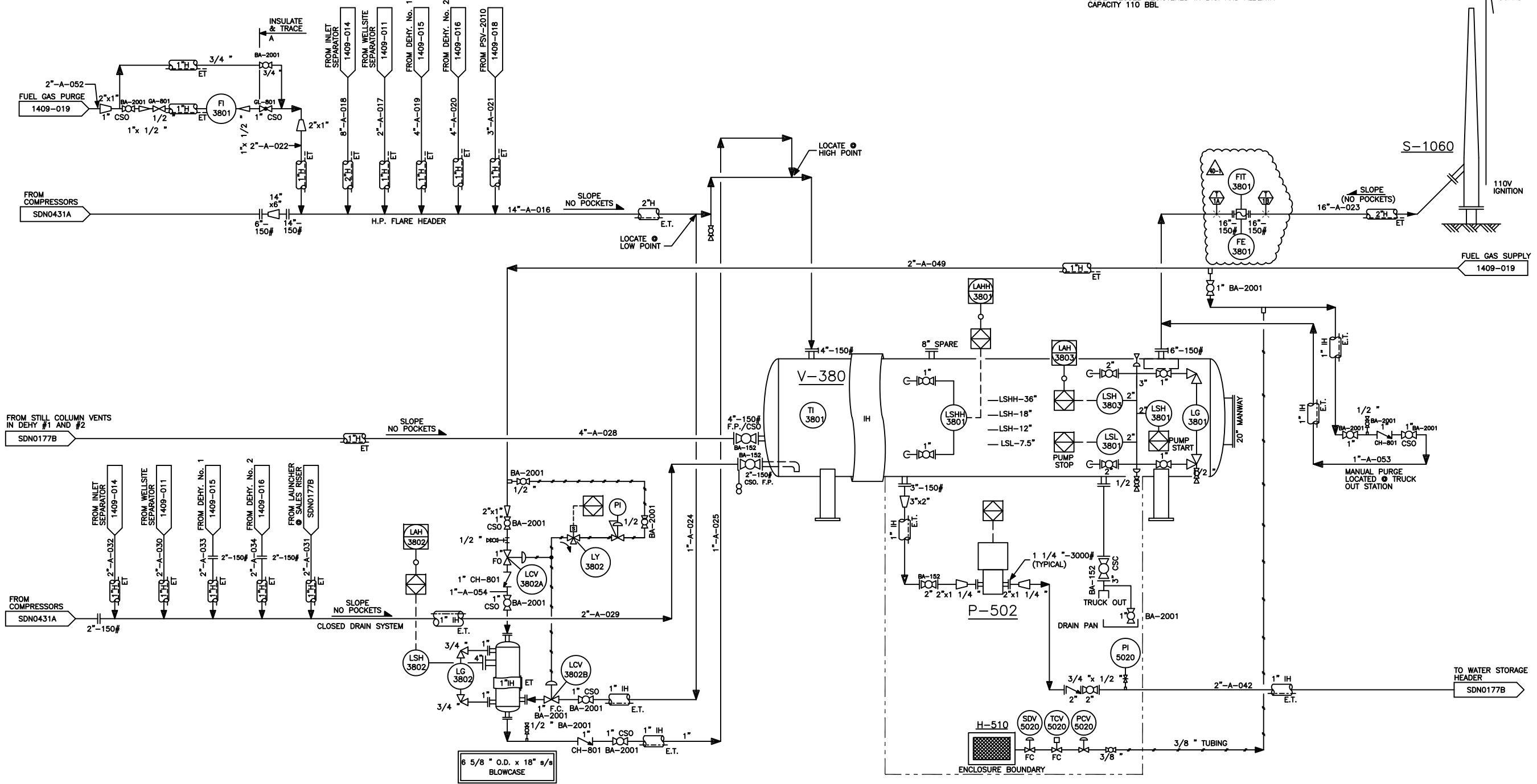


H-510
CATADYNE HEATER
MODEL: B12X24
12 VDC START

P-502
H.P. FLARE KNOCKOUT DRUM PUMP
MODEL: TBA
HEAD :
CAP. :
MOTOR : 1 HP, 480V

V-380
H.P. FLARE KNOCKOUT DRUM
SIZE : 72" I.D. x 20'-0" s/s
c/w EXTERNAL COATING
c/w INTERNAL COATING
DESIGN PRESSURE : 344 kPaq (50 psig) @ 100°F
CODE: VESSEL REGISTERED IN B.C. AND ALBERTA
CAPACITY 110 BBL

S-1060
FLARE STACK
SIZE : 16" DIA. x 100'-0" HT.
c/w 110V IGNITOR
c/w PURGE SEAL



THE SIGNATURE AND SEAL OF THE UNDERSIGNED ON THIS DRAWING CERTIFIES THAT THE DESIGN INFORMATION CONTAINED IN THESE DRAWINGS ACCURATELY REFLECTS THE ORIGINAL DESIGN AND THE MATERIAL DESIGN CHANGES MADE DURING CONSTRUCTION, THAT WERE BROUGHT TO THE UNDERSIGNED'S ATTENTION. THESE DRAWINGS ARE INTENDED TO INCORPORATE ADDENDA, CHANGE ORDERS AND OTHER MATERIAL DESIGN CHANGES, BUT NOT NECESSARILY ALL SITE INSTRUCTIONS.

THE UNDERSIGNED DOES NOT WARRANT OR GUARANTEE, NOR ACCEPT ANY RESPONSIBILITY FOR THE ACCURACY OR COMPLETENESS OF THE AS-CONSTRUCTED INFORMATION SUPPLIED BY OTHERS CONTAINED IN THESE DRAWINGS, BUT DOES CERTIFY THAT THE AS-CONSTRUCTED INFORMATION, IF ACCURATE AND COMPLETE, PROVIDES AN AS-CONSTRUCTED SYSTEM WHICH SUBSTANTIALLY COMPLIES IN ALL MATERIAL RESPECTS WITH THE ORIGINAL DESIGN INTENT.

REFERENCE DRAWINGS	DWG. NO.

CAUTION : READ BEFORE EXCAVATION
ALL EXCAVATIONS MUST BE CARRIED OUT AS PER "ENCANA'S GROUND DISTURBANCE PRACTICE"

NO.	DATE (YYYY-MM-DD)	PROJECT DESCRIPTION	PROJ.	AFE	EPCM Co.	EPCM No.	APPD.
2	040104	AS-BUILT	-	-	TUXTLA	1409	MJP
3	2008-10-20	ADDED ENCANA TITLE BLOCK TO EL PASO DRAWING	-	-	ENCANA	-	ELG
4	2013-04-06	FLARE GAS METER	-	-	GEMINI	G12060.100	HG

REV. NUMBER	STAGE	DATE (YYYY-MM-DD)	BY	CHKD.	APPD.
1	Phin. (44-1)	2013-04-08	GAR	RKL	HG
	Bid (B)	-	-	-	-
	Constr. (C)	2013-05-13	GAR	RKL	HG
	As-built (D)	-	-	-	-
	As-built (40-1)	2013-12-05	GP	RKL	HG

PERMIT STAMP	ENGINEER'S STAMP
PERMIT STAMP AND PROFESSIONAL STAMP AFFIXED ABOVE SHALL APPLY ONLY TO REV(S)	4D-1

encana
natural gas

GEMINI ENGINEERED SOLUTIONS

PIPING AND INSTRUMENTATION DIAGRAM
H.P. FLARE & CLOSED DRAIN SYSTEMS

SUNDOWN

COMP. STN. D-85-G
D-85-G/93-P-7
COMPRESSOR STATION
D-85-G/93-P-7
SCALE: NTS
ELEM: G12060.100

CLASS: A
FILE NO.: 1409-017 - FKO