

ISSUED FOR APPROVAL
2/26/2020

MBD-1200

HORIZONTAL 3-PHASE SEPARATOR
48" OD x 15'-0" S/S
MAWP: 1440 PSI @ -20 °F/130 °F

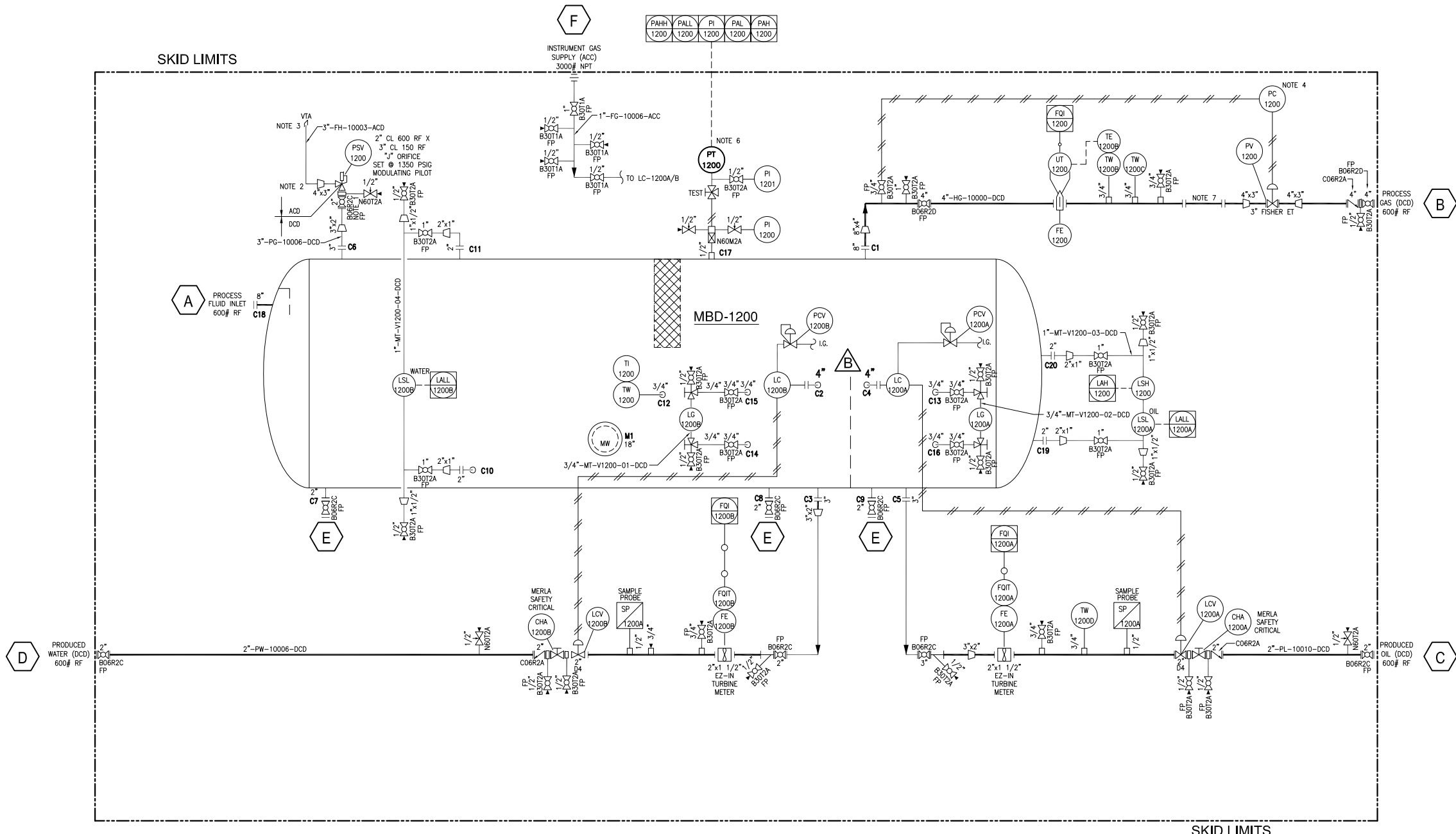
- FE 1200
4" METER TUBE
600# RF NACE
DANIEL AGA3
- PC 1200
PRESSURE CONTROL
NACE DIRECT ACTING
FISHER C1P
- PV 1200
3" PCV
600# RF NACE
3" ET / 667-45
- FOIT 1200B
MCIII FLOW
TOTALIZING TRANSMITTER
NU-FLO
- FOIT 1200A
MCIII FLOW
TOTALIZING TRANSMITTER
NU-FLO
- FE 1200B
2" EZ-IN
FLOW METER
9A-100005095
- FE 1200A
2" EZ-IN
FLOW METER
9A-100005095
- CHA 1200B
2" FCV
600# RF NACE
MERLA
- CHA 1200A
2" FCV
600# RF NACE
MERLA
- TW 1200
3/4" NPT
WIKA 10-1/2" U
75-TH2T-105-SS
- TI 1200
1/2" NPT
WIKA 0-200°F
5" DIAL
- PSV 1200
2" 600# RF X 3" 150# RF
SET @ 1385 PSIG
ANDERSON GREENWOOD
OR EQUAL
- PT 1200
1/2" NPT
316L SST CONN.
ROSEMOUNT 2088
NACE 0-4000 PSI
- PI 1200
1/2" NPT
233.34 SERIES
SG 0-1500 PSIG
NACE 4-1/2" FACE
- PI 1201
1/2" NPT
233.34 SERIES
SG 0-1500 PSIG
NACE 4-1/2" FACE
- PCV 1200A
1/4" NPT
SET @ 20#
FISHER 67CFR

UT 1200
GAS FLOW METER
TRANSMITTER
ABB XMTR266J 800

TE 1200B
RTD PROBE ASSEMBLY
10" SS, 4-WIRE
ABB 2011905-026

TW 1200B
3/4" NPT
THERMOWELL
ABB TW-(2" U)-.75

TW 1200C
3/4" NPT
THERMOWELL
ABB TW-(2" U)-.75



PCV 1200B
1/4" NPT
SET @ 20#
FISHER 67CFR

LC 1200A
2" 600# RF
SST DISP 1-7/8"x12"
NACE FISHER L2

LC 1200B
2" 600# RF
SST DISP 1-7/8"x12"
NACE FISHER L2

LCV 1200A
2" D4 ANSI 600RF
F.C. PNEUM
FISHER
1-1/4" NACE TRIM;

LCV 1200B
2" D4 ANSI 600RF
F.C. PNEUM
FISHER
1-1/4" NACE TRIM;

LG 1200A
3/4" NPT GAUGE GLASS
QUEST-TEC 61TM STANDARD
2U GAUGE COCKS NACE

LG 1200B
3/4" NPT GAUGE GLASS
QUEST-TEC 61TM STANDARD
2U GAUGE COCKS NACE

LSH 1200
1" NPT
FISHER 2100E
NACE RH MOUNT

LSL 1200A
1" NPT
FISHER 2100E
NACE RH MOUNT

LSL 1200B
1" NPT
FISHER 2100E
NACE RH MOUNT

APPROVED
ALEX CHIKALOFF
03-02-2020

- NOTES:
- MUST BE FULL PORT.
 - 1/4" WEEP HOLE.
 - TAILPIPE TO BE SQUARE CUT.
 - PRESSURE CONTROLLER MOUNTED TO PV-1200
 - ALL INSTRUMENTS TO BE RATED FOR 200°F AND BE NACE COMPLIANT.
 - TRANSMITTER REMOTE MOUNTED VIA 1/2" S.S. TUBING ON SKID. AT 4'-6" ABOVE GRADE.
 - SPOOL TO SWAP OUT WITH FLANGED TEE IF REQ'D.

NOTICE:
THIS DRAWING IS THE PROPERTY OF PERMIANLIDE.
ANY REPRODUCTION OF THIS DRAWING FOR FABRICATION
WITHOUT THE CONSENT OF PERMIANLIDE IS PROHIBITED.

MARK	SERVICE	SIZE	RATING	TYPE
F	INSTRUMENT GAS	1"	3000#	NPT
E	DRAIN	2"	600#	RF
D	WATER OUTLET	2"	600#	RF
C	OIL OUTLET	2"	600#	RF
B	GAS OUTLET	4"	600#	RF
A	INLET	8"	600#	RF

CUSTOMER CONNECTION SCHEDULE

REV	DATE	DESCRIPTION	DESIGNER	CHECKED BY
B	2/26/2020	REVISED C2 & C4 FROM 2" TO 4" PER CUSTOMER COMMENTS	D.FITTING	D.HIGGINS
A	2/13/2020	ISSUED FOR CUSTOMER APPROVAL	C.SIMS	D.HIGGINS



TITLE	OVINTIV
TITLE	HORIZONTAL CODE SEPARATOR P&ID
PART NO	FSKIDA-SEP48X15H1440#3PHC-001
DWG NO	PD5093
DATE	2/13/2020
REV	B