

1.1-FRM-001VS Visual External Inspection Report

Report #:	PSV Service Report Avail. <input type="checkbox"/> Y <input checked="" type="checkbox"/> N MDR Avail. <input checked="" type="checkbox"/> Y <input type="checkbox"/> N UT Verified <input checked="" type="checkbox"/> Y <input type="checkbox"/> N	<input checked="" type="checkbox"/> Installation <input checked="" type="checkbox"/> External <input checked="" type="checkbox"/> Internal
-----------	---	--

Date:	2022-09-07	WO #:	1001-TI	Proc. Used:	Cat 1 - Unfired Separator	Rec. Insp. Interval:	3
Inspected By:	Dwight Colp ISI-PVPP Cert# 000692, API 510 #43558, API 570 #45288			Radiography:	1		
Client:	Tara Energy			Heat Treatment:	Yes		
Coordinator:	Jeff Warr			National Board Number:	46		
Region:	NE B.C, Alberta	Area:	North Peace				
Facility:	Portable						
Location, LSD	Portable						
Description:	<input checked="" type="checkbox"/> Vessel <input type="checkbox"/> Exchanger <input type="checkbox"/> Tank <input type="checkbox"/> Heater						
Service Fluid:	<input type="checkbox"/> Sweet <input checked="" type="checkbox"/> Sour Fluid Name: Well Emulsion						
Unit Name / #:	ST-05	Equip#:	ST-05				
Equip. Name:	Horizontal Separator						
Jurisdiction #:	0661731	CRN:	V9366.21				
Manufacturer:	Coral Oilfield Services Inc.						
Year Built:	2016	S/N:	4299-01				

Components:	Diameter	Length	Material	Nominal t	CA	Comment
Shell:	108"	30'	SA516-70N	0.5"	0.125"	
Head:	108"	2:1	SA516-70N	0.5"	0.125"	
Channel:						
Tube:						
Other:						

PSV Data: PSV Capacity Verified: Y N Block Valve(s) Installed: Yes No Car-sealed Open: Yes No N/A

Zones:	MDMT	Design T	MAWP	Set Press	Tag#	Model	Manf.	PSV CRN	Serial Number	In.	Out.	Capacity	Serv. Co.	Serv. Date
Shell Side:	50F	300F	125 PSI	125 PSI	ST-05	83K5921341-60-60-0	Taylor	0G01316.2C	044081-22	3"	3"	4418 SCFM	Kings Energy	2022-09-09
Tube Side:														
Other:														

Orientation: Hor. Ver. **Foundation:** Concrete Gravel Timbers Steel Other: _____ Condition: Good

Support:	<input checked="" type="checkbox"/> Saddle:	<input checked="" type="checkbox"/> Seal-welded	<input checked="" type="checkbox"/> Free to move	Condition:	Good
	<input type="checkbox"/> Skirt:	<input type="checkbox"/> Free of debris	Comment:	Condition:	
	<input type="checkbox"/> Hangers:	<input type="checkbox"/> Secure	Comment:	Condition:	
	<input type="checkbox"/> Other (Specify):				Condition:

Overall: General Condition: Good Dead Legs Exist Electrical Grounding: None Indirect Direct Secure

Ext. Surface: Painted Fire-proofed Cladded Insulated Other: _____ Condition: Good

Ext. Fixtures: Ladder Platform(s) Other (Specify): _____ Condition: _____

Int. Surface: Coated Weld Overlay Cladded Lined Thermal Sprayed Condition: _____

Int. Fixtures: Baffle Vortex Breaker Float Weir Impingement plate Condition: Good

Nozzles: MW Inspection port only MW Size: 18", 20" Davit arm: Greased Double-nutted Condition: Good

Reinforcement pads used Weep holes visible No evidence of weeping Comment: Good

	Well-coated	Proper joints	Free of leaks	Proper supports	Fluid is identified	Flow dir. shown	Drains properly	Comments:
Piping:	<input checked="" type="checkbox"/> PSV piping:	<input checked="" type="checkbox"/>	<input checked="" type="checkbox"/>	<input checked="" type="checkbox"/>	<input checked="" type="checkbox"/>	<input type="checkbox"/>	<input checked="" type="checkbox"/>	PSV is mounted on Piping <input type="checkbox"/> or Vessel <input checked="" type="checkbox"/>
	<input checked="" type="checkbox"/> Inlet piping:	<input checked="" type="checkbox"/>	<input checked="" type="checkbox"/>	<input checked="" type="checkbox"/>	<input type="checkbox"/>	<input type="checkbox"/>		
	<input checked="" type="checkbox"/> Outlet piping:	<input checked="" type="checkbox"/>	<input checked="" type="checkbox"/>	<input checked="" type="checkbox"/>	<input checked="" type="checkbox"/>	<input type="checkbox"/>		
	<input checked="" type="checkbox"/> Drain piping:	<input checked="" type="checkbox"/>	<input checked="" type="checkbox"/>	<input checked="" type="checkbox"/>	<input checked="" type="checkbox"/>	<input type="checkbox"/>		
	<input checked="" type="checkbox"/> Instrument piping:	<input checked="" type="checkbox"/>	<input checked="" type="checkbox"/>	<input checked="" type="checkbox"/>	<input checked="" type="checkbox"/>	<input type="checkbox"/>		

Valves: Manual isolation valves: Free from leaks Comment: No Concerns

Automated control valves: Free from leaks Comment: No Concerns

Vents and/or drains: Properly plugged Comment: No Concerns

Gauges: Pressure: Range: 0 - _____ Reading: _____ Condition: Good

Temperature: Range: _____ Reading: _____ Condition: _____

Sight Glass Level: Reading: MT Condition: Good

Recommended Actions:

- 1.
- 2.
- 3.

Summary: The vessel exterior and the associated piping are considered to be in Good condition.

PHOTOS



Vessel Nameplate



Vessel Overview



PSV Overview



Inlet Piping



Gas Outlet Piping



Liquid Outlet Piping

PHOTOS




Sparge Piping

Date:	2022-09-07	WO #:	1001-TI	Proc. Used:	Cat 1 - Unfired Separator	
Inspected By:	Dwight Colp ISI-PVPP Cert# 000692, API 510 #43558, API 570 #4528			Notes:		
Client:	Tara Energy					
Coordinator:	Jeff Warr					
Region:	NE B.C, Alberta	Area:	North Peace			
Facility:	Portable					
Location, LSD	Portable					
Description:	<input checked="" type="checkbox"/> Vessel <input type="checkbox"/> Exchanger <input type="checkbox"/> Tank <input type="checkbox"/> Heater					
Service Fluid:	<input type="checkbox"/> Sweet <input checked="" type="checkbox"/> Sour Fluid Name: Emulsion					
Unit Name / #:	ST-05	Equip#:	ST-05			
Equip. Name:	Horizontal Separator ST-05					
Jurisdiction #:	0661731	CRN:	V9366.213			
Manufacturer:	Coral Oilfield Services					
Year Built:	2016	S/N:	4299-01			
Scope:	A visual internal (VI) inspection was performed on all accessible shell and head surfaces, nozzles, welds, etc.					
Manway:	Gasket Surfaces:	<input checked="" type="checkbox"/> Compliant with code	Comment: No concerns			
	Manway Nozzle:	<input checked="" type="checkbox"/> No pitting, erosion, etc.	Comment: No concerns			
Shell and Head Surfaces:	<input type="checkbox"/> Coated	<input type="checkbox"/> Continuous and well-adhered	Comment:			
	Uniform Corrosion:	<input checked="" type="checkbox"/> Insignificant amount	Comment: No concerns			
	Pitting Corrosion:	<input checked="" type="checkbox"/> None noted	Comment: No concerns			
	Erosion:	<input checked="" type="checkbox"/> None noted	Comment: No concerns			
	Mechanical Damage:	<input checked="" type="checkbox"/> None noted	Comment: No concerns			
Welds:	Uniform Corrosion:	<input checked="" type="checkbox"/> Insignificant amount	Comment: No concerns			
	Pitting Corrosion:	<input checked="" type="checkbox"/> None noted	Comment: No concerns			
	Welding Defects:	<input checked="" type="checkbox"/> None noted	Comment: No concerns			
NDT:	<input checked="" type="checkbox"/> NDT was performed by: PIMS		Type: <input type="checkbox"/> MPI (<input type="checkbox"/> WF <input type="checkbox"/> B&W <input type="checkbox"/> Dry) <input type="checkbox"/> LPI <input checked="" type="checkbox"/> UT <input type="checkbox"/> RT <input type="checkbox"/> Other: _____			
	Extent: Vessel and Piping					
	Results: No concerns					
Nozzles:	Obstructions:	<input checked="" type="checkbox"/> None noted	Comment: No concerns			
	Corrosion:	<input checked="" type="checkbox"/> None noted	Comment: No concerns			
	Erosion:	<input checked="" type="checkbox"/> None noted	Comment: No concerns			
Attachments:	<input type="checkbox"/> Vortex Breaker	<input type="checkbox"/> Secure <input type="checkbox"/> Good condition	Comment:			
	<input type="checkbox"/> Impingement Plate	<input type="checkbox"/> Secure <input type="checkbox"/> Good condition	Comment:			
	<input checked="" type="checkbox"/> Internal Piping	<input checked="" type="checkbox"/> Secure <input checked="" type="checkbox"/> Good condition	Comment: No concerns			
	<input checked="" type="checkbox"/> Demister	<input checked="" type="checkbox"/> Secure <input checked="" type="checkbox"/> Good condition	Comment: No concerns			
	<input type="checkbox"/> Heating Coil	<input type="checkbox"/> Secure <input type="checkbox"/> Good condition	Comment:			
	<input checked="" type="checkbox"/> Weir	<input checked="" type="checkbox"/> Secure <input checked="" type="checkbox"/> Good condition	Comment: No concerns			
	<input checked="" type="checkbox"/> Inlet Diffuser	<input checked="" type="checkbox"/> Secure <input checked="" type="checkbox"/> Good condition	Comment: No concerns			
	<input type="checkbox"/>	<input type="checkbox"/> Secure <input type="checkbox"/> Good condition	Comment:			
Notes:						
Recommended Actions:	1. No recommendations.					
	2.					
	3.					

Additional notes are attached:

Item is suitable for service.
 is **NOT**

Inspector's Signature: 

PHOTOS



Vessel ID



Inlet Diffuser



Typical Nozzle Condition



Demister Pack



Vessel Nameplate



General Shell Condition

PHOTOS



Wier to Shell Weld



Internal Piping



Internal Piping



661731
A#
4299-01
S/N#

FORM U-1A MANUFACTURER'S DATA REPORT FOR PRESSURE VESSELS

(Alternative Form for Single Chamber, Completely Shop or Field Fabricated Vessels Only)

As Required by the Provisions of the ASME Boiler and Pressure Vessel Code Rules, Section VIII, Division 1

1. Manufactured and certified by **Coral Oilfield Services Inc., 15303-94st, Grande Prairie, Alberta, T8X 0L2, CANADA**

(Name and address of Manufacturer)

Manufactured for **Coral Oilfield Services Inc., 15303-94st, Grande Prairie, Alberta, T8X 0L2, Canada**

(Name and address of Purchaser)

3. Location of Installation **Not Known**

(Name and address)

4. Type **Horizontal** **4299-01** **V9366.21** **3968 Rev.3** **46** **2016**
(Horizontal or vertical, tank) (Manufacturer's serial number) (CRN) (Drawing number) (National Board number) (Year built)

5. ASME Code, Section VIII, Division 1 **2015/ N/A** **N/A** **N/A**
(Edition and Addenda, if applicable (date)) (Code Case numbers) (Special service per UG-120(d))

6. Shell: **SA-516-70N** **0.5"** **0.125"** **108" (ID)** **30'**
(Material spec. number, grade) (Nominal thickness) (Corr. allow.) (Inner diameter) (Length (overall))

Body Flanges on Shells													
No.	Type	ID	OD	Flange Thk	Min Hub Thk	Material	How Attached	Location	Bolting				
									Num & Size	Bolting Material	Washer (OD, ID, thk)	Washer Material	
N/A	N/A	N/A	N/A	N/A	N/A	N/A	N/A	N/A	N/A	N/A	N/A	N/A	N/A

7. Seams: **Type 1** **Full** **1** **1125 °F** **.75Hour** **Type 1** **Full** **1** **3**
(Long. (welded, dbl., sngl., lap, butt)) [R.T. (spot or full)] (Eff., %) (H.T. temp) (Time, hr) [Girth. (welded, dbl., sngl., lap, butt)] [R.T. (spot or full)] (Eff., %) (No. of courses)

8. Heads: (a) Material **SA-516-70N** (b) Material **SA-516-70N**
(Spec. no., grade) (Spec. no., grade)

	Location (Top, Bottom, Ends)	Minimum Thickness	Corrosion Allowance	Crown Radius	Knuckle Radius	Elliptical Ratio	Conical Apex Angle	Hemispherical Radius	Flat Diameter	Side to Pressure (Convex or Concave)
(a)	END	0.5"	0.125"	N/A	N/A	2:1	N/A	N/A	N/A	Concave
(b)	END	0.5"	0.125"	N/A	N/A	2:1	N/A	N/A	N/A	Concave

Body Flanges on Heads													
Location	Type	ID	OD	Flange Thk	Min Hub Thk	Material	How Attached	Bolting					
								Num & Size	Bolting Material	Washer (OD, ID, thk)	Washer Material		
N/A	N/A	N/A	N/A	N/A	N/A	N/A	N/A	N/A	N/A	N/A	N/A	N/A	N/A

AWP **125 psi** at max. temp. **300 °F**
(Internal) (External) (Internal) (External)

Min. design metal temp. **-50 °F** at **125 psi** Hydro, pneu., or comb. test pressure **HYDRO 1 HOUR at 163 psi**

Proof test **N/A**

10. Nozzles, inspection and safety valve openings:

Purpose (Inlet, Outlet, Drain, etc.)	No.	Diameter or Size	Type	Material		Nozzle Thickness		Reinforcement Material	Attachment Details		Location (Insp. Open.)
				Nozzle	Flange	Nom.	Corr.		Nozzle	Flange	
Gas Inlet/Outlet	5	4"	RFWN	SA-106Gr.B	SA-105N	0.674"	0.125"	N/A	UW16.1(D)	Type 1	Shell
PSV,Water/Oil Outlet	4	3"	RFWN	SA-106Gr.B	SA-105N	0.600"	0.125"	N/A	UW16.1(D)	Type 1	Shell/Head
Sparge,Heater Coil	8	2"	RFWN	SA-106Gr.B	SA-105N	0.436"	0.125"	N/A	UW16.1(D)	Type 1	Head

Additional Nozzles - See Attached U-4...

11. Supports: Skirt **No** Legs **2** Legs **No** Other **Saddles (2)** Attached **Shell,Welded**
(Yes or no) (Number) (Number) (Describe) (Where and how)

12. Remarks: Manufacturer's Partial Data Reports properly identified and signed by Commissioned Inspectors, have been furnished for the following items of the report:

N/A
(Name of part, item number, Manufacturer's name and identifying stamp)

- SA105N and SA106-B exempt as per UCS 66 (b) (1) (b)
- All other material are exempt per UCS-66a, UCS-67a (3) for the filler metal, and Fig UCS-66, Note C for stud and nuts
- Heater coil: MAWP 150PSI @ 350F, MAEWP 125PSI, MDMT -50F @ 150PSI, C.A 1/16, 2" 150 RFSO SA-105N
- Flange
- 2" NPS KH SA-106B Pipe
- Vessel Capacity 2122FT3 (60M3)
- Construction DWG NO. 3968-01 Rev.4
- 1 1/8" X 6 1/4" Studs c/w 2 Nuts Each SA194-2HM for both M1A M1B

Additional Remarks - See Attached U-4...

661731
A#
4299-01
S/N#

FORM U-4 MANUFACTURER'S DATA REPORT SUPPLEMENTARY SHEET

As Required by the Provisions of the ASME Boiler and Pressure Vessel Code Rules, Section VIII, Division 1

1. Manufactured and certified by Coral Oilfield Services Inc., 15303-94st, Grande Prairie, Alberta, T8X 0L2, CANADA
(Name and address of Manufacturer)

2. Manufactured for Coral Oilfield Services Inc., 15303-94st, Grande Prairie, Alberta, T8X 0L2, Canada
(Name and address of Purchaser)

3. Location of installation Not Known
(Name and address)

4. Type Horizontal N/A 4299-01
(Horizontal, vertical, or sphere) (Tank, separator, heat exch., etc.) (Manufacturer's serial number)

V9366.21 3968 Rev.3 46 2016
(CRN) (Drawing number) (National Board number) (Year built)

Data Report
Item Number _____ Remarks _____

Additional Remarks:


- 2 x 20" RF Blind SA-105N

Purpose (Inlet, Outlet, Drain, etc.)	No.	Diameter or Size	Type	Material		Nozzle Thickness		Reinforcement Material	Attachment Details		Location (Insp. Open.)
				Nozzle	Flange	Nom.	Corr.		Nozzle	Flange	
Sight Glasses, PI, Spare	12	1"	RFWN	SA-106Gr.B	SA-105N	0.358"	0.125"	N/A	UW16.1(D)	Type 1	Head
Manway	2	20"	RFWN	SA-106Gr.B	SA-105N	0.375"	0.125"	SA-516-70N	UW16.1(W)	Type 1	Shell

Certificate of Authorization: Type "U" No. 45860

Expires September 17, 2019

Date 09/19/2016 Name Coral Oilfield Services Inc.
(Manufacturer)

Signed 
(Representative)

Date 09/19/2016 Name 
(Authorized Inspector) Commissions:

15266A, AB439-A
(National Board (incl. endorsements))

ST-05



INSPECTION AND TEST REPORT

044081-22

Work to be performed in accordance with "QF9.51 PSV Production and Service Control Procedure Listing"

Owner:	TARA ENERGY SERVICES	AFE:	.	Date:	09/09/2022	Job:	111762
Instructions:	<input type="checkbox"/> Rental <input type="checkbox"/> Quote <input checked="" type="checkbox"/> Pretest <input checked="" type="checkbox"/> Repair <input type="checkbox"/> Test Only <input type="checkbox"/> New <input type="checkbox"/> Reset <input type="checkbox"/> B.E.R <input type="checkbox"/> VR Update	Loc:	NOT PROVIDED	V-Ord:	VORD-11567	Plant \ Area:	GRANDE PRAIRIE
L.S.D.:	RENTAL						
Unit/Vessel:	4299-02						

Valve Data:	Seal: Broken	Style: FLG_Conv	Inlet: RF	Outlet: RF
	Seal ID:	Bonnet: Closed	Inlet Size: 3.00 inches	Outlet Size: 3.00 inches
Make: Taylor	NamePlate: Original	Cap: Closed	Inlet Rating: 150#	Outlet Rating: 150#
CRN: 0G01316.2C	Service: Sour	Orifice: K	Capacity: 4418 SCFM	Cold Diff Set: 125 psig
Asset No: 134590	Product: Gas	Orifice Area: 2.138 sq in.	Code Stmp: NB/UV	Set Press: 125 psig
Model No: 83K5921341-60-60-0		Serial No: 044081-22	Replacing:	

Pilot Data:	Model:	Serial No:
--------------------	---------------	-------------------

Pretest Data:	Test Data:	Value:	Units:	Pretest Date: 09/12/2022
Media: Air	Test 1:	132	psig	Pretest By: Jacques Blackb
Method: Bench	Test 2:	127	psig	Notes1: Required
	Test 3:	0	psig	Notes2:

Disassembly:	Height: 1.78 IN	Guide Ring:	Nozzle Ring:	Dismantled Date: 09/22/2022
				Dismantled By: Jacques Black

Inspection:	Crit Dim Data:	Minimum:	Actual:	Insp Tool Data:	Inspected Date: 09/22/2022
Seat Matl: Viton(FKM) 9	Disc:	SUB		Inspected By: Jacques Blackb	
Replaced: N	Disc Step:			Insp Tool 1:	
Converted: N	Nozzle:	SOFT		Insp Tool 2:	
Inlet Cond: Rusty	Nozzle Step 1:			Insp Tool 3:	
Outlet Cond: Rusty	Nozzle Step 2:			Spring No:	

Component	Clean	Oily	Rusty	Carbon	Other	Action	Part Number
Disc / Assy	<input type="checkbox"/>	<input type="checkbox"/>	<input type="checkbox"/>	<input type="checkbox"/>	SCORED	Replaced	
Nozzle	<input type="checkbox"/>	<input type="checkbox"/>	<input type="checkbox"/>	<input type="checkbox"/>	SCORED	Replaced	
Gasket(s)	<input type="checkbox"/>	<input type="checkbox"/>	<input type="checkbox"/>	<input type="checkbox"/>	WORN	Replaced	
Other	<input type="checkbox"/>	<input type="checkbox"/>	<input type="checkbox"/>	<input type="checkbox"/>		Supply	PV-SP
Other	<input type="checkbox"/>	<input type="checkbox"/>	<input type="checkbox"/>	<input type="checkbox"/>		Supply	FG3-150-316
PCDF	<input type="checkbox"/>	<input type="checkbox"/>	<input type="checkbox"/>	<input type="checkbox"/>		Supply	PCDF
Major \ Minor Kit	<input type="checkbox"/>	<input type="checkbox"/>	<input type="checkbox"/>	<input type="checkbox"/>		Supply	K83K51211212
Poly Tag	<input type="checkbox"/>	<input type="checkbox"/>	<input type="checkbox"/>	<input type="checkbox"/>		Supply	107032

Assembly:	Converted From:	Converted To:	Assemble Date: 09/22/2022
	Replace Nameplate affixed & Original Lined out:	No	Assembled By: Jacques Blackb

Final Test:	Set Press: 125 psig	Gauge 1: KGP-1-10K	Vacuum Set:	Test Date: 09/23/2022
Media: Air	Back Press: 0 psig	Gauge 2: KGP-2-10K	Leakage Vac:	Tested By: Josh Budgell
Method: Bench	Cold Diff Set: 125 psig	BLD %:	Vacuum Act:	Witness:
Simmer:	Act Test Press: 125 psig	Leakage: 0 BPM	Set Press Def: POP	Back Pres Test: 50 psig
Re-Seat:		Leak Test Press: 112 psig		

PSV Service Report reviewed, Passed Pre-pop
API 510 #43558, ABSA ISIPV-PP #000692



PIMS

ULTRASONIC THICKNESS GAUGE (UTT) & MPI REPORT FORM

REPORT FORM 101

CLIENT NAME:	TARA ENERGY SERVICES INC.			PROJECT NAME:	ST-05
Client Address:	9526 – 81 Avenue, Clairmont, AB T8X 0M2			Client Job No.:	NA
Client Contact Information:	Name:	Jeff Warr		Purchase Order Number:	NA
	Phone:	587-259-8523		AFE Number:	NA
Work Dates:	August 10, 2022			Other:	NA
Work Location:	Grande Prairie Yard			Report Page Number:	Page 1 of 16
UT Procedure #	UT-001	Rev: 1	Client Specs:	N/A	Acc. Std.:

PIMS TESTING EQUIPMENT

UT TESTING EQUIPMENT:

UT Instrument:	Olympus	Calibration Date:	February 7, 2022									
UT Instrument Model:	Epoch 650			Material Thickness:	Various							
UT Instrument Serial:	160160802	Calibration Blocks:	Step Wedge	DWG. #:	N/A							
Cable Type	Cable Length	Test Angle	Probe S/D	Freq.(MHZ)	Serial No.	Dia.	Transfer Value	Test From	dB	% FSH	Scan Sens.	Range
Coaxial	36"	0 DEG	S	5MHZ	A924D	0.25 0"	-	-	60	80	-	20mm

MPI TESTING EQUIPMENT

MPI Instrument:	Yoke	Calibration Date:	January 18, 2022		
Make:	Contour Probe	Model:	B-300	Serial Number:	2443

Inspection Data

Scope:	UT Report Package for 0661731 Horizontal Vessel	Area to be Inspected:	Vessel
Results:	See attached report for results.		
	Note: Flag Thickness for ASME B31.3 Piping is Nom-12.5%. ASME Sec VIII Div 1 flags established at Nom-(CA/2) unless otherwise specified by client.		

Photo	Report

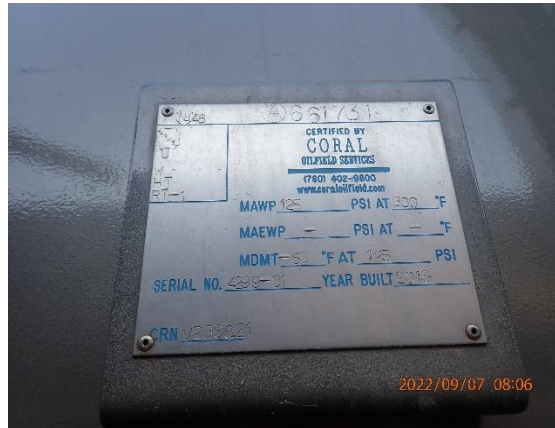
This Certificate or Report is valid only for that work which was specifically requested. The company is not responsible for any views expressed by employees performing this work which falls outside the exact terms of reference. All certificates and/or reports are the result of work performed in conformance with applicable specifications and standards to the best of our ability and intent. However, the company will not be responsible for deviations with in normal limits of accuracy in accordance with the standard practice s. Final Code acceptance shall require Client/Manufacture representative signature.

UT Technician: Jeremy Kerr	Certification: CGSB REG: 20506	Level: CGSB Level 1
Reviewed By: Steve Gillingham	Certification: CGSB REG: 11441	Level: CGSB Level 2
Client Representative:	Signature:	Date: August 10, 2022



Location Name:	Grande Prairie AB	LSD:	Portable
Jur #:	0661731	Equipment/Tag No.	ST-05
Equipment Description:	Horizontal Vessel		
Manufacturer:	Coral Oilfield Services Inc.		
Serial Number:	4299-01	CRN:	V9366.21
Shell MAWP:	125	PSI	Shell Design Temp: 300 °F
Tube MAWP:	-	PSI	Tube Design Temp: - °F
Shell Material:	SA516-70N	Head Material:	SA516-70N
Shell Thickness:	12.7	mm	Head Thickness: 12.7 mm
Corrosion Allowance:	3.2	mm	Date Built: 2016
Size:	108"	in	Pipe / Rolled Plate: Plate
RT:	Full	Client DWG #:	-

Photos



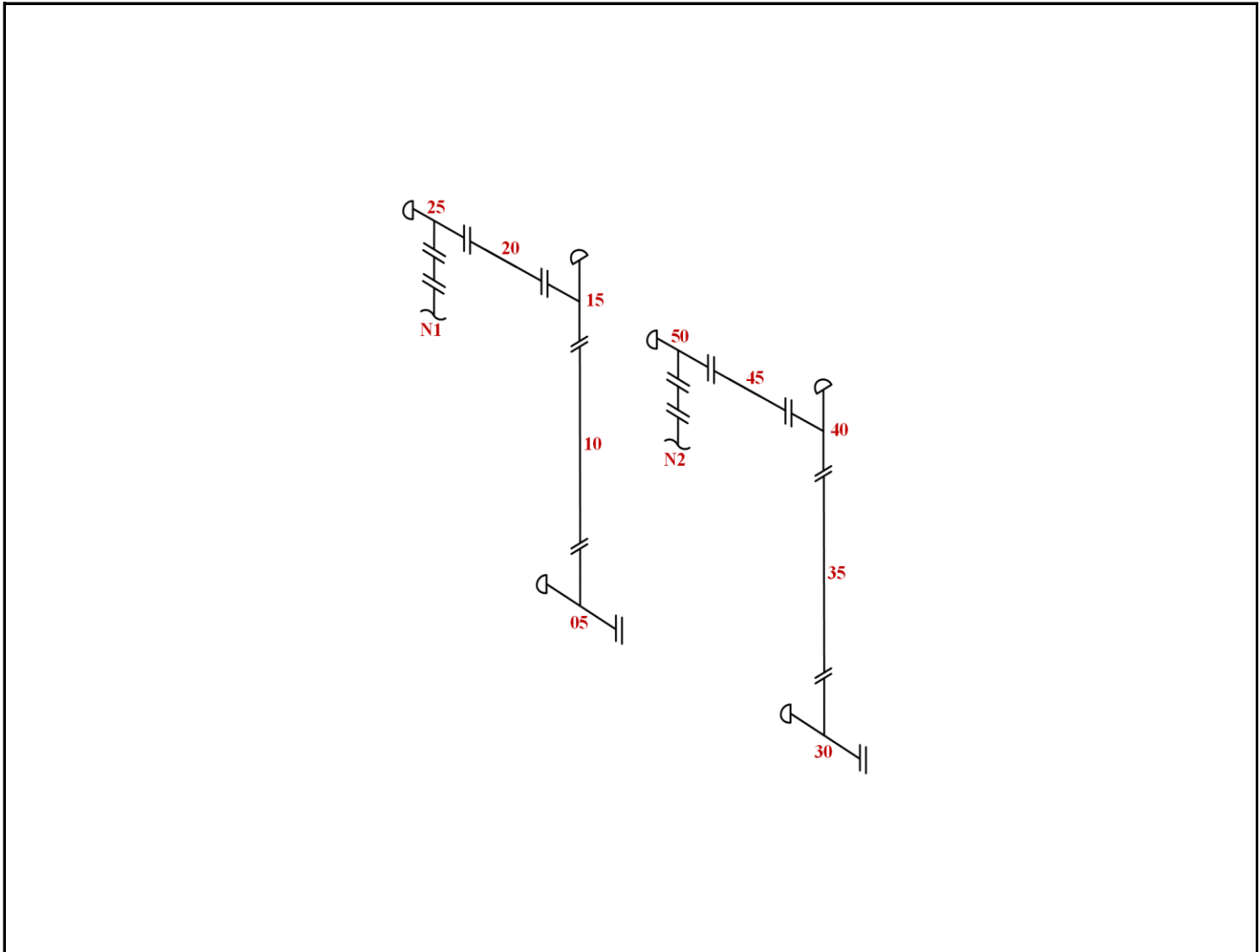
View of Data Plate



Overall view of Equipment

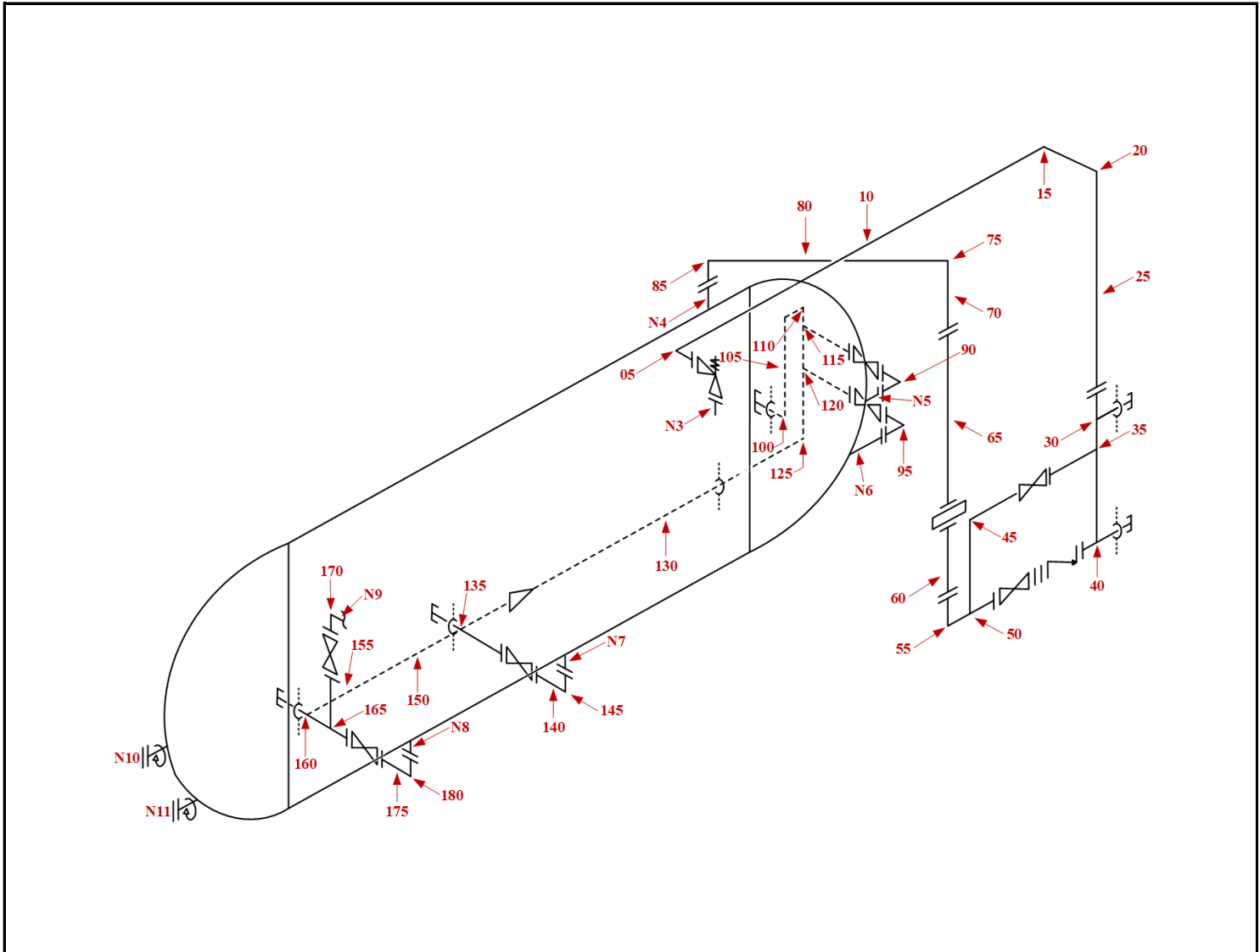
Location Name:	Grande Prairie AB	LSD:	Portable
Jur #:	0661731	Equipment/Tag No.	ST-05
Equipment Description:	Horizontal Vessel		
Manufacturer:	Coral Oilfield Services Inc.		
Serial Number:	4299-01	CRN:	V9366.21
Shell MAWP:	125	PSI	Shell Design Temp: 300 °F
Tube MAWP:	-	PSI	Tube Design Temp: - °F
Shell Material:	SA516-70N	Head Material:	SA516-70N
Shell Thickness:	12.7	mm	Head Thickness: 12.7 mm
Corrosion Allowance:	3.2	mm	Date Built: 2016
Size:	108"	in	Pipe / Rolled Plate: Plate
RT:	Full	Client DWG #:	-

ISO Drawing of TML's - INLET LINE



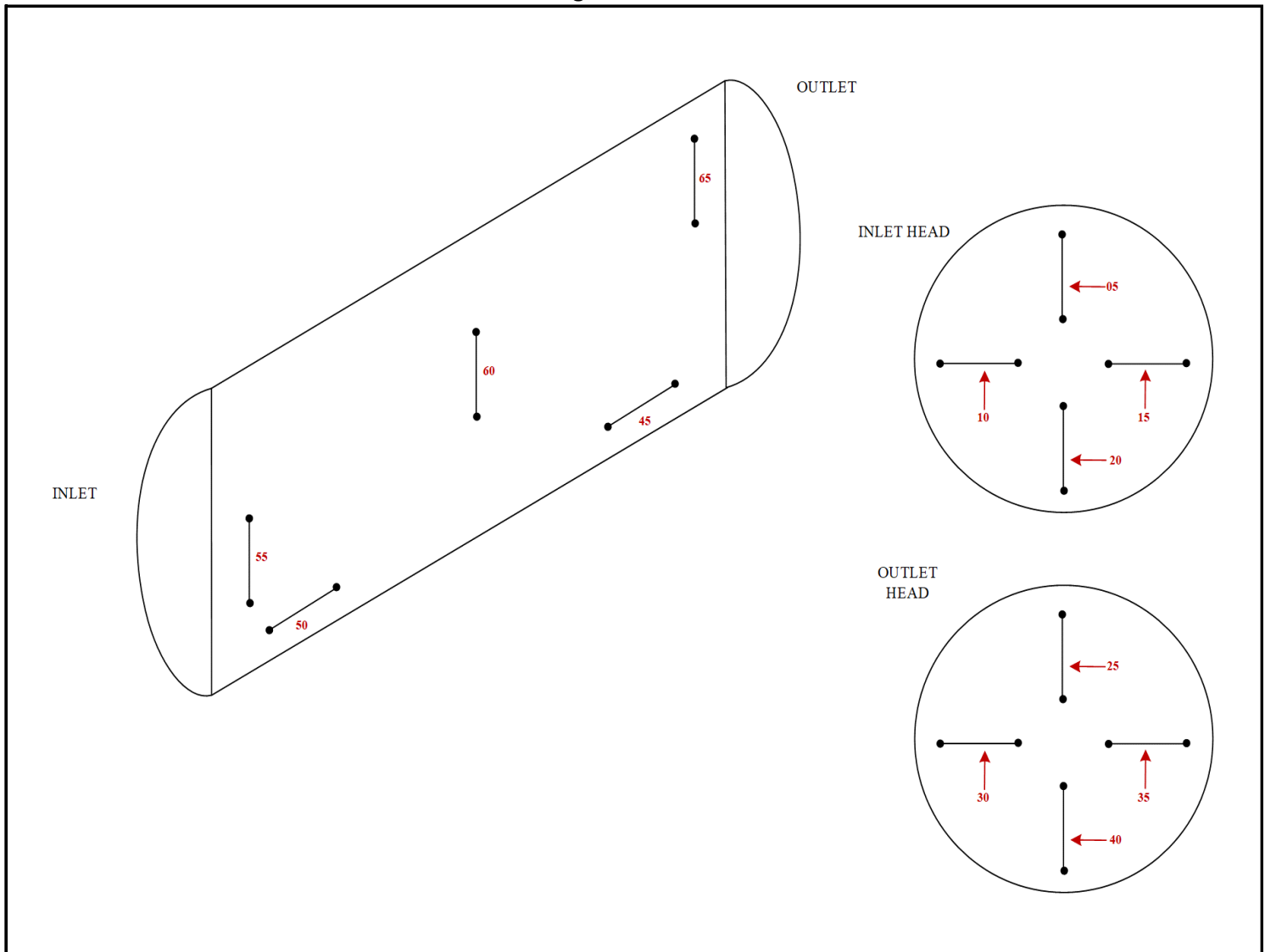
Location Name:	Grande Prairie AB	LSD:	Portable
Jur #:	0661731	Equipment/Tag No.	ST-05
Equipment Description:	Horizontal Vessel		
Manufacturer:	Coral Oilfield Services Inc.		
Serial Number:	4299-01	CRN:	V9366.21
Shell MAWP:	125	PSI	Shell Design Temp: 300 °F
Tube MAWP:	-	PSI	Tube Design Temp: - °F
Shell Material:	SA516-70N	Head Material:	SA516-70N
Shell Thickness:	12.7	mm	Head Thickness: 12.7 mm
Corrosion Allowance:	3.2	mm	Date Built: 2016
Size:	108"	in	Pipe / Rolled Plate: Plate
RT:	Full	Client DWG #:	-

ISO Drawing of TML's - INLET LINE



Location Name:	Grande Prairie AB	LSD:	Portable
Jur #:	0661731	Equipment/Tag No.	ST-05
Equipment Description:	Horizontal Vessel		
Manufacturer:	Coral Oilfield Services Inc.		
Serial Number:	4299-01	CRN:	V9366.21
Shell MAWP:	125	PSI	Shell Design Temp: 300 °F
Tube MAWP:	-	PSI	Tube Design Temp: - °F
Shell Material:	SA516-70N	Head Material:	SA516-70N
Shell Thickness:	12.7	mm	Head Thickness: 12.7 mm
Corrosion Allowance:	3.2	mm	Date Built: 2016
Size:	108"	in	Pipe / Rolled Plate: Plate
RT:	Full	Client DWG #:	-

ISO Drawing of TML's - FLUID LEGS



Client: Tara Energy Services Inc.

Date: 2022-08-10

Inspector: Jeremy Kerr

Location Name:	Grande Prairie AB		LSD:	Portable	
Jur #:	0661731		Equipment/Tag No.	ST-05	
Equipment Description:	Horizontal Vessel				
Manufacturer:	Coral Oilfield Services Inc.				
Serial Number:	4299-01		CRN:	V9366.21	
Shell MAWP:	125	PSI	Shell Design Temp:	300	°F
Tube MAWP:	-	PSI	Tube Design Temp:	-	°F
Shell Material:	SA516-70N				
Shell Thickness:	12.7	mm	Head Material:	SA516-70N	
Corrosion Allowance:	3.2		Head Thickness:	12.7	mm
Size:	108"	in	Date Built:	2016	
RT:	Full		Pipe/Rolled Plate:	Plate	
			Client DWG #:	-	

TML#	Description	Shape	Size	Sch	Nom	Flag	2022-08-10		
							Min	Avg	
NOZZELS									
N1	Inlet Nozzel	Circ	4"	NS	17.12	14.98		17.12	17.44
N2	Inlet Nozzel	Circ	4"	NS	17.12	14.98		16.63	17.40
N3	PSV Nozzel	Circ	3"	NS	15.24	13.34		15.08	15.53
N4	Gas Out Nozzel	Circ	4"	NS	17.12	14.98		19.60	20.15
N5	Water/Oil Out Nozzel	Circ	3"	NS	15.24	13.34		15.60	15.86
N6	Water/Oil Out Nozzel	Circ	3"	NS	15.24	13.34		14.67	15.26
N7	Drain Nozzel	Circ	4"	NS	17.12	14.98		17.52	17.74
N8	Drain Nozzel	Circ	4"	NS	17.12	14.98		17.25	17.83
N9	Water/Oil Out Nozzel	Circ	3"	NS	15.24	13.34		14.94	15.30
N10	Sparge Nozzel	Circ	2"	NS	11.07	9.69		10.64	11.30
N11	Sparge Nozzel	Circ	2"	NS	11.07	9.69		11.21	11.45
INLET									
5	Pipe	C/S	4"	Sch160	13.49	11.80		11.68	14.83
10	Pipe	Pipe	4"	Sch160	13.49	11.80		13.06	13.45
15	Pipe	Tee Cap	4"	Sch160	13.49	11.80		12.21	15.08
20	Pipe	Pipe	4"	Sch160	13.49	11.80		13.16	13.73
25	Pipe	Tee Cap	4"	Sch160	13.49	11.80		12.10	12.69
30	Pipe	C/S	4"	Sch160	13.49	11.80		10.41	14.37
35	Pipe	Pipe	4"	Sch160	13.49	11.80		12.58	12.81
40	Pipe	Tee Cap	4"	Sch160	13.49	11.80		11.88	15.29
45	Pipe	Pipe	4"	Sch160	13.49	11.80		13.42	13.71
50	Pipe	Tee Cap	4"	Sch160	13.49	11.80		11.59	14.67
VESSEL PIPING									
5	Pipe	Elbow	3"	Sch40	5.50	4.80		5.84	5.97
10	Pipe	Pipe	3"	Sch40	5.50	4.80		5.64	5.87
15	Pipe	Elbow	3"	Sch40	5.50	4.80		6.13	6.51
20	Pipe	Elbow	3"	Sch40	5.50	4.80		6.00	6.41
25	Pipe	Pipe	3"	Sch40	5.50	4.80		5.80	5.99

30	Pipe	Tee Neck	3"	Sch40	5.50	4.80		5.48	6.43
35	Pipe	Tee Neck	3"	Sch80	7.62	6.67		7.85	9.91
40	Pipe	Tee Neck	4" x 3"	Sch80	8.56	7.49		7.95	10.12
45	Pipe	Elbow	3"	Sch80	7.62	6.67		7.07	7.49
50	Pipe	Tee Neck	4" x 3"	Sch80	8.56	7.49		8.84	10.64
55	Pipe	Elbow	4"	Sch80	8.56	7.49		7.64	7.94
60	Pipe	Pipe	4"	Sch80	8.56	7.49		8.50	8.67
65	Pipe	Pipe	4"	Sch80	8.56	7.49		8.25	8.45
70	Pipe	Pipe	4"	Sch80	8.56	7.49		7.91	8.41
75	Pipe	Elbow	4"	Sch80	8.56	7.49		8.60	8.87
80	Pipe	Pipe	4"	Sch80	8.56	7.49		7.50	8.00
85	Pipe	Elbow	4"	Sch80	8.56	7.49		8.07	8.27
90	Pipe	Elbow	3"	Sch80	7.62	6.67		6.86	7.34
95	Pipe	Elbow	3"	Sch80	7.62	6.67		6.73	7.42
100	Pipe	Elbow	3"	Sch80	7.62	6.67		7.53	7.88
105	Pipe	Pipe	3"	Sch80	7.62	6.67		7.40	7.91
110	Pipe	Elbow	3"	Sch80	7.62	6.67		7.41	8.10
115	Pipe	Tee Neck	3"	Sch80	7.62	6.67		7.45	9.68
120	Pipe	Tee Neck	3"	Sch80	7.62	6.67		7.13	8.92
125	Pipe	Elbow	3"	Sch80	7.62	6.67		6.93	7.42
130	Pipe	Pipe	3"	Sch80	7.62	6.67		6.96	7.88
135	Pipe	Cross	4"	Sch80	8.56	7.49		9.57	10.27
140	Pipe	Pipe	4"	Sch80	8.56	7.49		7.88	8.32
145	Pipe	Elbow	4"	Sch80	8.56	7.49		8.21	8.55
150	Pipe	Pipe	4"	Sch80	8.56	7.49		8.27	8.56
155	Pipe	Pipe	4"	Sch80	8.56	7.49		8.13	8.60
160	Pipe	Tee Neck	4"	Sch80	8.56	7.49		8.55	10.83
165	Pipe	Tee Neck	4" x 3"	Sch80	8.56	7.49		7.78	9.72
170	Pipe	Elbow	3"	XXS	15.24	13.34		14.73	15.10
175	Pipe	Pipe	4"	Sch80	8.56	7.49		7.89	8.46
180	Pipe	Elbow	4"	Sch80	8.56	7.49		8.36	8.90

HEAD & SHELL

5	Head	Ellipsodial	108"	NS	12.70	11.10		15.69	15.99
10	Head	Ellipsodial	108"	NS	12.70	11.10		15.53	16.14
15	Head	Ellipsodial	108"	NS	12.70	11.10		15.50	15.77
20	Head	Ellipsodial	108"	NS	12.70	11.10		15.09	15.63
25	Head	Ellipsodial	108"	NS	12.70	11.10		15.24	15.72
30	Head	Ellipsodial	108"	NS	12.70	11.10		15.36	15.73
35	Head	Ellipsodial	108"	NS	12.70	11.10		15.59	15.80
40	Head	Ellipsodial	108"	NS	12.70	11.10		15.75	15.91
45	Shell	Cylindrical	108"	NS	12.70	11.10		12.90	12.99
50	Shell	Cylindrical	108"	NS	12.70	11.10		12.74	12.92
55	Shell	Cylindrical	108"	NS	12.70	11.10		12.38	12.53
60	Shell	Cylindrical	108"	NS	12.70	11.10		12.68	12.75
65	Shell	Cylindrical	108"	NS	12.70	11.10		12.88	13.05

All flagged thicknesses were verified as above the minimum thickness required for pressures up to 125 PSI. API 570 #45288 Dwight Colp CCI