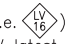
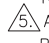
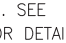
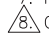
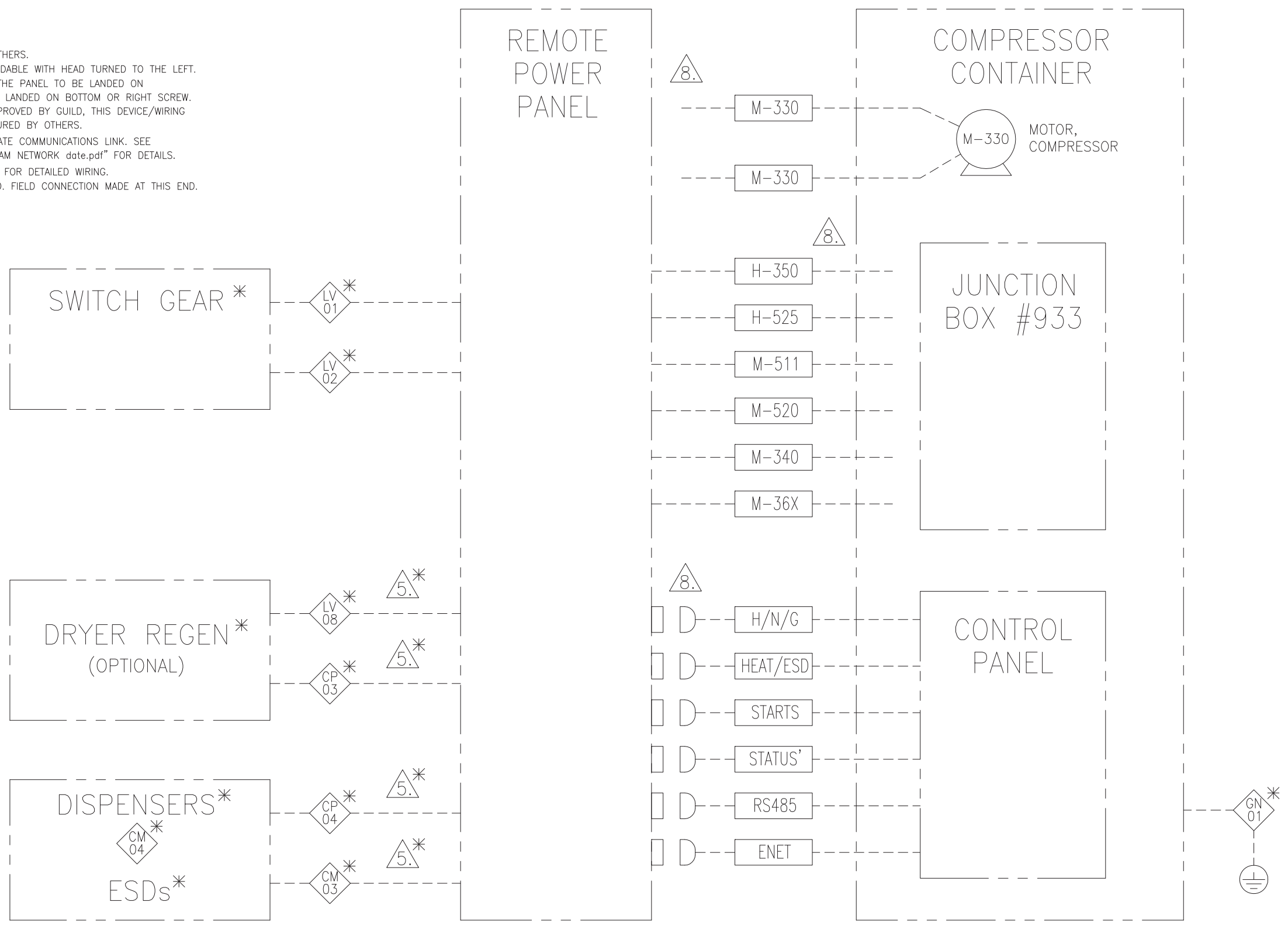


NOTES: UNLESS OTHERWISE SPECIFIED

1. DIAMONDS WITH NUMBERS (i.e. ) INDICATE FIELD CONNECTIONS BY OTHERS. SEE DRAWING "MG129-00902 REV latest LIST FIELD ELECT date.xls" FOR DETAILS.  
MV = MEDIUM VOLTAGE 4160V  
LV = LOW VOLTAGE 460V  
CP = CONTROL POWER 120V  
IN = INSTRUMENTATION 24V  
CM = COMMUNICATIONS  
GN = GROUND
2. \* INDICATES EQUIPMENT SUPPLIED BY OTHERS.
3. ORIENT VERTICLE WIRE LABELS TO BE READABLE WITH HEAD TURNED TO THE LEFT.
4. WHERE APPLICABLE, WIRING INTERNAL TO THE PANEL TO BE LANDED ON TOP OR LEFT SCREW. FIELD WIRING TO BE LANDED ON BOTTOM OR RIGHT SCREW.
5.  AFTER SITE ELECTRICAL CHECKED AND APPROVED BY GUILD, THIS DEVICE/WIRING REQUIRES CONDUIT SEAL PACKED AND POURED BY OTHERS.
6. HEXAGONS WITH LETTERS (i.e. ) INDICATE COMMUNICATIONS LINK. SEE DRAWING "MG129-00906 REV latest DIAGRAM NETWORK date.pdf" FOR DETAILS.
7. REFER TO SCHEMATIC DWG MG129-00900 FOR DETAILED WIRING.
8.  CONNECTION & CABLE SUPPLIED BY GUILD. FIELD CONNECTION MADE AT THIS END.



**PROPRIETARY**  
22 AUG 2014



<small>DO NOT SCALE CAG GENERATED DRAWING DO NOT MANUALLY PRODUCE</small> <small>BREAK ALL SHARP CORNERS AND REMOVE BURRS UNLESS OTHERWISE SPECIFIED. STAMP OR ETCH PART IDENTIFICATION IN AREA MARKED</small>	125	WGT. R NA	ANGULAR TOLERANCE ± 0°30'	UNLESS OTHERWISE SPECIFIED
	MINOR SURFACE FINISH	F NA	1-PLACE DEC: ±.060 2-PLACE DEC: ±.030 3-PLACE DEC: ±.010	
NAME		DIAGRAM, FIELD ELECTRICAL		
SIMILAR TO		MATERIAL		
FILE NO. NONE				
<small>© GE Oil &amp; Gas Operations, LLC, 2004 Confidentiality Notice: This drawing contains confidential information of GE Oil and Gas Operations LLC. THE OWNER It may not be shared with third parties or used, copied or distributed in any manner without the express written permission of GE Oil &amp; Gas.</small>		<small>SCALE SHEET PART NO</small> MKG_08-22-14 NA 1/1 MG129-00903 0		