

- NOTES: UNLESS OTHERWISE SPECIFIED
1. MAIN AND CONTROL POWER DISCONNECT HANDLES SHALL BE CAPABLE OF BEING PADLOCKED IN THE OPEN POSITION.
  2. CIRCUIT BREAKER CB-910 & FUSES FU-920/921 HAVE MAXIMUM INTERRUPT RATING OF 65K RMS SYMMETRICAL AMPS AT 480V.
  3. \* INDICATES EQUIPMENT NOT SUPPLIED BY GUILD.
  4. FLAs SHOWN ARE MOTOR NAMEPLATE.
- ⚠️ SOFT STARTER MUST HANDLE MINIMUM 10 STARTS PER HOUR.
- ⚠️ TWO MOTORS MAY BE USED WITH SLIGHTLY DIFFERENT FLA'S.

LEGEND									
PT	POTENTIAL TRANSFORMER RATING AS SHOWN	MMCCB 50	MINIATURE MOLDED CASE CIRCUIT BREAKER UL489 TRIP AMPS	DISCONNECT W/LOCKABLE HANDLE	100A	VACUUM CONTACTOR RATED 100A	GT	GROUND CURRENT TRANSFORMER	
MCP 100	MOTOR CIRCUIT PROTECTOR FRAME SIZE TRIP AMPS	RVSS	REDUCED VOLTAGE SOFT-STARTER	100A R	FUSE AMP RATING CLASS	MOTOR CONTACTOR	CT	CURRENT TRANSFORMER	
125 100	THERM/MAGNET BREAKER FRAME SIZE TRIP AMPS	VFD	VARIABLE FREQUENCY DRIVE	CPT 4200V/120V	CONTROL POWER TRANSFORMER	OVERLOAD RELAY	↑	DRAWOUT CONTACTS	
MCCB 800	MOLDED CASE BREAKER TRIP AMPS	SCR	SILICON CONTROLLED RECTIFIER	ENET	ETHERNET COMMUNICATIONS	HOA	HAND/OFF/AUTO SWITCH	LA	LIGHTNING ARRESTOR
						SHEET 2	OFF PAGE CONNECTION	---	ENCLOSURE WALL

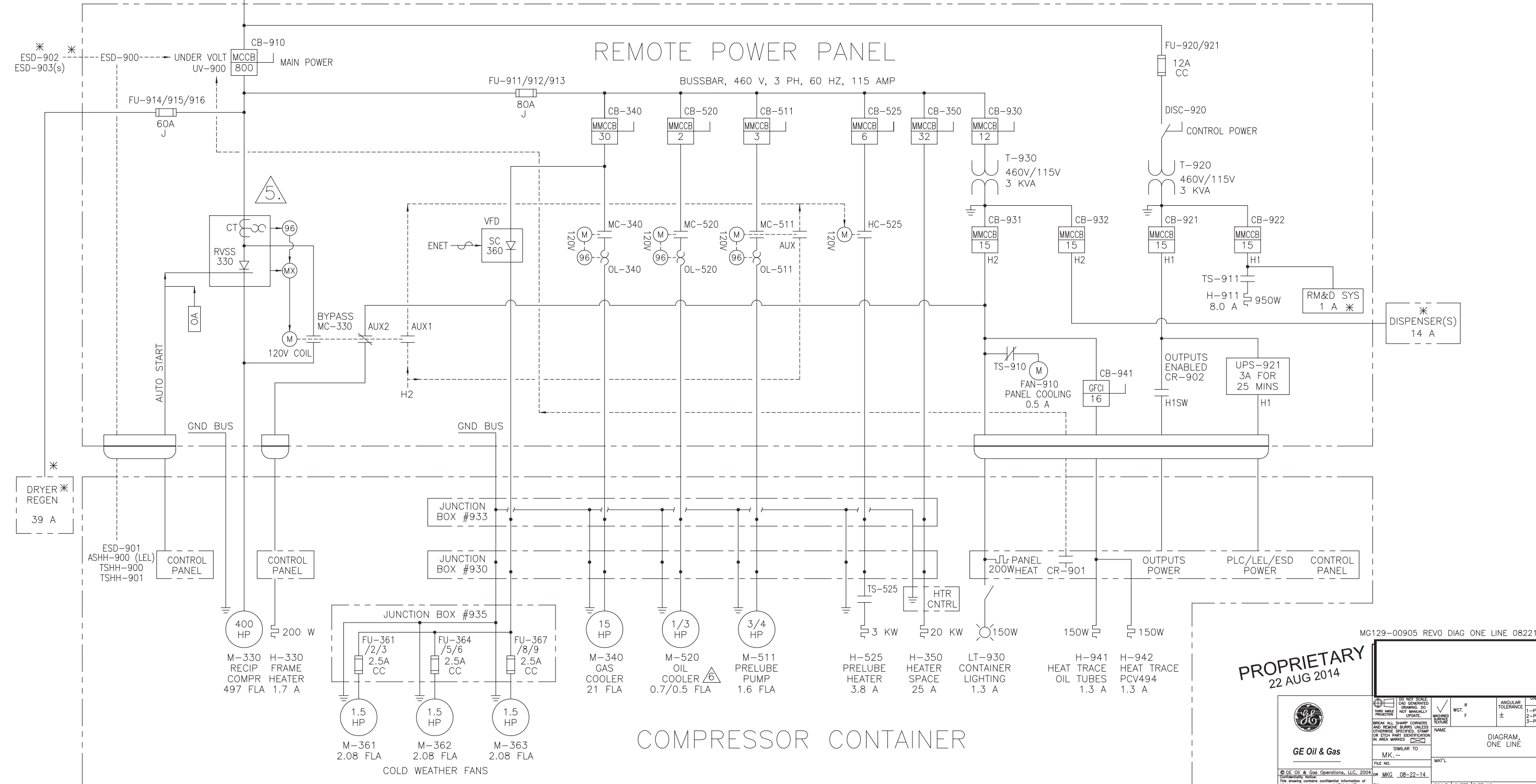
**POWER**

\* 460VAC 3PH 800A SERVICE  
MAX AVAILABLE CURRENT 65K AMPS

SOLID GROUND WYE ONLY

**REMOTE POWER PANEL**

BUSSBAR, 460 V, 3 PH, 60 HZ, 115 AMP



**COMPRESSOR CONTAINER**

**PROPRIETARY**  
22 AUG 2014

MG129-00905 REV0 DIAG ONE LINE 082214.DWG

<p>GE Oil &amp; Gas</p>		<p>DO NOT SCALE DIMENSIONS UNLESS SPECIFIED</p> <p>THIS ANGLE NOT MANUALLY PROTECT</p> <p>BREAK ALL SHARP CORNERS AND REMOVE BURRS UNLESS OTHERWISE SPECIFIED. STAMP OR ETCH PART IDENTIFICATION IN AREA MARKED</p>	
<p>WGT. R</p> <p>F</p>	<p>ANGULAR TOLERANCE</p> <p>±</p>	<p>UNLESS OTHERWISE SPECIFIED</p> <p>1-PLACE DEC.±.060</p> <p>2-PLACE DEC.±.030</p> <p>3-PLACE DEC.±.010</p>	<p>DIAGRAM, ONE LINE</p>
<p>NAME</p> <p>MK.-</p>		<p>MAT'L</p>	
<p>FILE NO.</p> <p>MKG_08-22-14</p>		<p>SCALE SHEET PART NO</p> <p>NA 1/1 MG129-00905</p>	
<p>DATE</p> <p>MKG_08-22-14</p>		<p>ISSUE</p> <p>0</p>	

GE OIL & GAS NA DT-xx