

V-1300

GLYCOL GAS CONTACTOR
 SIZE: 30" O.D x 30'-0" S/S
 DESIGN: 1415 psig @ 150/-20°F MDMT
 CORROSION ALLOWANCE: 1/16"
 (A) 524519
 CRN: T0095.2
 S/N: B7121.20

V-1310

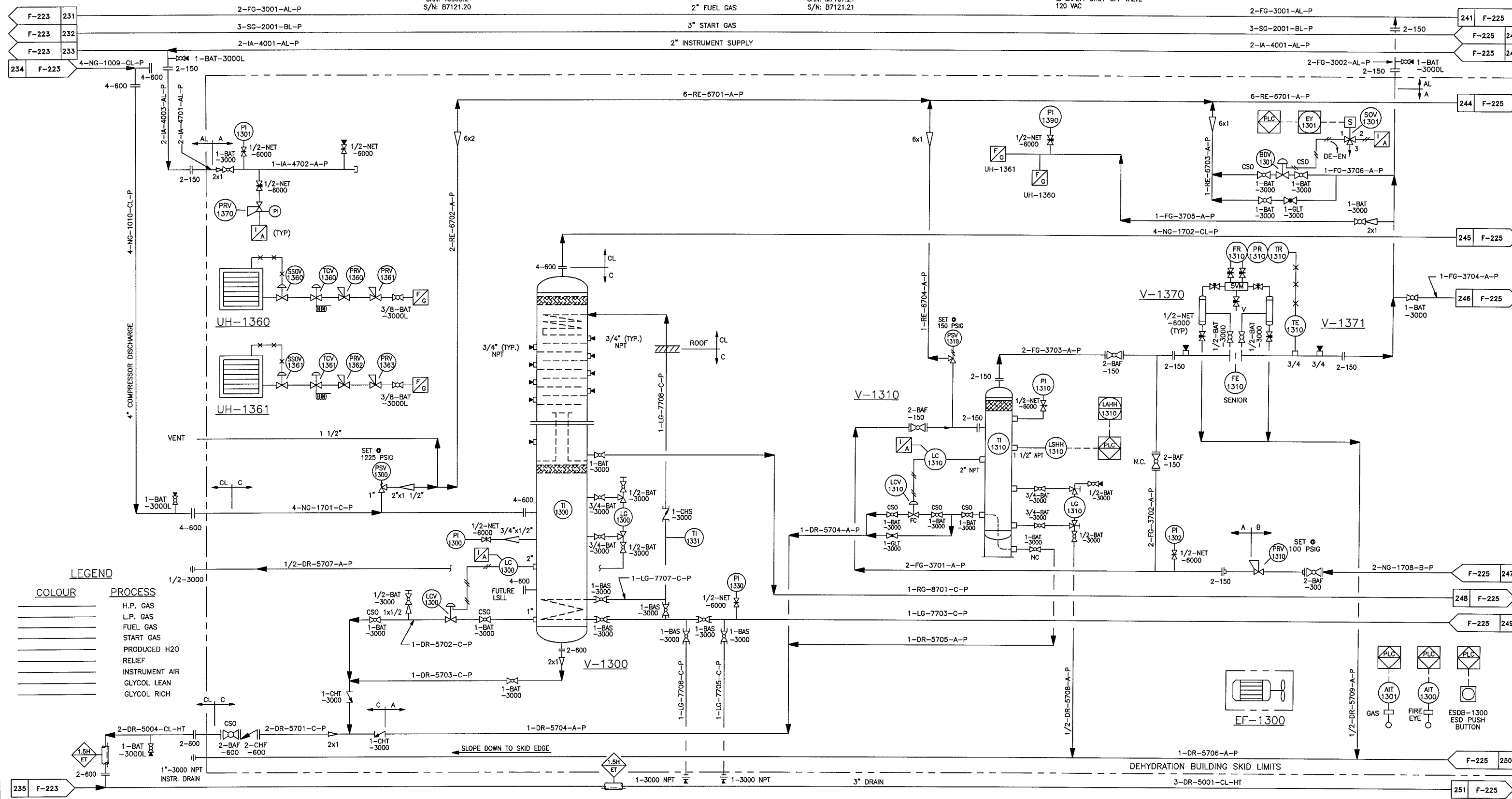
FUEL GAS SCRUBBER
 SIZE: 12 3/4" O.D x 5'-0" S/S
 DESIGN: 260 psig @ 200/-20°F MDMT
 CORROSION ALLOWANCE: 1/16"
 (A) 516786
 CRN: M7107.21
 S/N: B7121.21

UH-1360/1361

CATADYNE HEATER
 MODEL: BX 24x36
 INPUT: 36,000 BTU/HR (7.0 KW)
 NATURAL GAS ORIFICE
 c/w PRESSURE REGULATOR,
 TEMPERATURE CONTROL VALVE
 & SAFETY SHUT-OFF VALVE
 120 VAC

V-1370/1371

DRIP POTS
 2 3/8" O.D. x 9" LG
 KIMRAY DP200
 2000# W.P.
 CRN: OH05370.2




LEGEND

COLOUR	PROCESS
—————	H.P. GAS
—————	L.P. GAS
—————	FUEL GAS
—————	START GAS
—————	PRODUCED H2O
—————	RELIEF
—————	INSTRUMENT AIR
—————	GLYCOL LEAN
—————	GLYCOL RICH

CONSTRUCTION DRAWING ENGINEER'S STAMP	CONSTRUCTION DRAWING PERMIT STAMP
BY: DON WIDYNSKI DATE: NOV. 24 - 2004	BY: SIGMA 3 ENGINEERING LIMITED PERMIT #: P5064 DATE: NOV. 24 - 2004

PROJECT: SOUSA COMPRESSION & DEHYDRATION FACILITY 2004/2005 EXPANSION 07-04-113-04 W6M		
DRAWN: S.R.W.	DATE: JULY - 2004	N.T.S. SCALE
CHECKED: H.V.	DATE: JULY - 2004	1524
APPROVED: M.E.	DATE: JULY - 2004	PROJECT NO.
AFE: FO40062		

Blizzard Energy Inc.  SIGMA 3 ENGINEERING LIMITED
 CONSULTING ENGINEERS
 EDMONTON ALBERTA

TITLE: PIPING AND INSTRUMENTATION DIAGRAM
 DEHYDRATOR (SHEET 1 OF 2)

DRAWING NO. F-224

DWG. NO.	REFERENCE DRAWING	REV.	BY	DESCRIPTION	DATE	APP'D
		2	S.R.W.	AS-BUILT	MAY 10-05	M.E.
		1	S.R.W.	ABSA REGISTRATION	MAR. 09-05	M.E.
		0	S.R.W.	ISSUED FOR CONSTRUCTION	NOV. 24-04	M.E.
		B	S.R.W.	ISSUED FOR BID	OCT. 28-04	M.E.
		A	S.R.W.	ISSUED FOR REVIEW	AUG. 10-04	M.E.

RB-1320
 REBOILER
 PRESSON MODEL GRX-375-SPC
 375,000 BTU/h
 REBOILER: 24" O.D. x 9'-6" LONG x 3/16" THK
 ACCUMULATOR: 20" O.D. x 9'-6" LONG x 3/16" THK

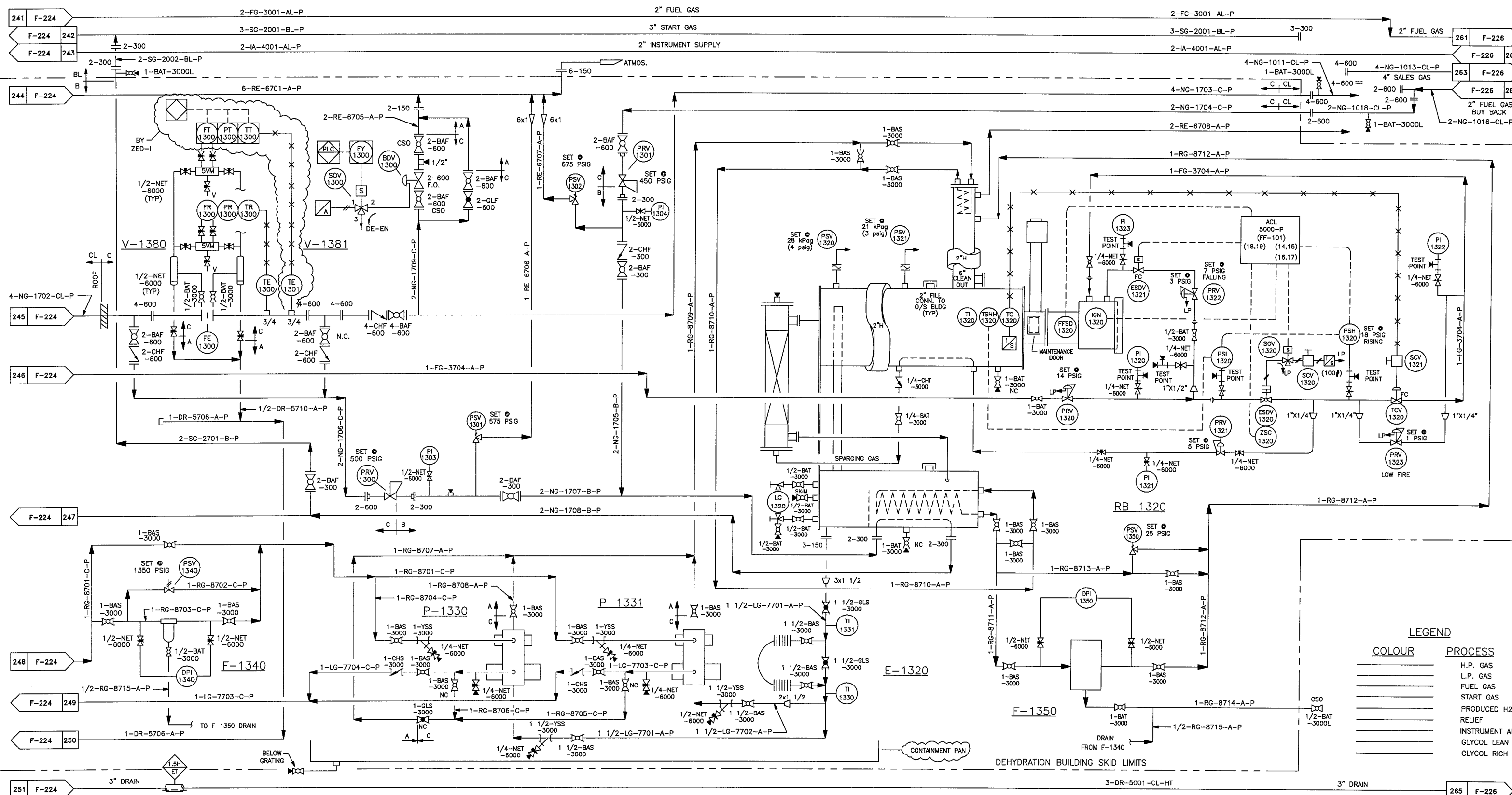
E-1320
 AIR/GLYCOL HEAT EXCHANGER
 TWELVE (12) 5'-0" SECTIONS OF TRANE
 SERIES 32 SQUARE FINNED TUBES
 2 ROWS, 1 PASS, 6 TUBES PER ROW IN PARALLEL

P-1330/ 1331
 GLYCOL PUMP
 KIMRAY MODEL 21015PV VITON
 MAX FLOW RATE 66 TO 210 GPH
 40 STROKES/ MIN MAX
 MAX OPERATING PRESSURE 400 TO 1500 psig

F-1340
 GLYCOL FILTER
 CUNO MODEL 3000L-2
 MAX FLOW RATE 3000 GPM @ 250F
 DESIGN: 3000 psig @ 250F
 CARTRIDGE MODEL G76C82N

F-1350
 CHARCOAL FILTER
 CUNO MODEL 3000L-2
 MAX FLOW RATE 3000 GPM @ 250F
 DESIGN: 150 psig @ 250F
 MAX. FLOW 9 USGPM
 CARTRIDGE MODEL JUCACS19.5S

V-1380/1381
 DRIP POTS
 2 3/8" O.D. x 9" LG
 KIMRAY DP200
 2000# W.P.
 CRN: OH05370.2



DWG. NO.	REFERENCE DRAWING	REV.	BY	DESCRIPTION	DATE	APP'D
		2	S.R.W.	AS-BUILT	MAY 10-05	M.E.
		1	S.R.W.	ABSA REGISTRATION	MAR. 09-05	M.E.
		0	S.R.W.	ISSUED FOR CONSTRUCTION	NOV. 24-04	M.E.
		B	S.R.W.	ISSUED FOR BID	OCT. 28-04	M.E.
		A	S.R.W.	ISSUED FOR REVIEW	AUG. 10-04	M.E.

CONSTRUCTION DRAWING
 ENGINEER'S STAMP


CONSTRUCTION DRAWING
 PERMIT STAMP

BY: DON WIDYNOWSKI
 DATE: NOV. 24 - 2004

BY: SIGMA 3 ENGINEERING LIMITED
 PERMIT #: P5064
 DATE: NOV. 24 - 2004

PROJECT:
 SOUSA COMPRESSION & DEHYDRATION FACILITY
 2004/2005 EXPANSION
 07-04-113-04 W6M

DRAWN: S.R.W. DATE: JULY - 2004 N.T.S. SCALE
 CHECKED: H.V. DATE: JULY - 2004
 APPROVED: M.E. DATE: JULY - 2004
 AFE: F040062 PROJECT NO. 1524

Blizzard Energy Inc. 

TITLE:
 PIPING AND INSTRUMENTATION DIAGRAM
 DEHYDRATOR (SHEET 2 OF 2)

SIGMA 3 ENGINEERING LIMITED
 CONSULTING ENGINEERS
 EDMONTON ALBERTA

DRAWING NO.
F-225