

V-1100

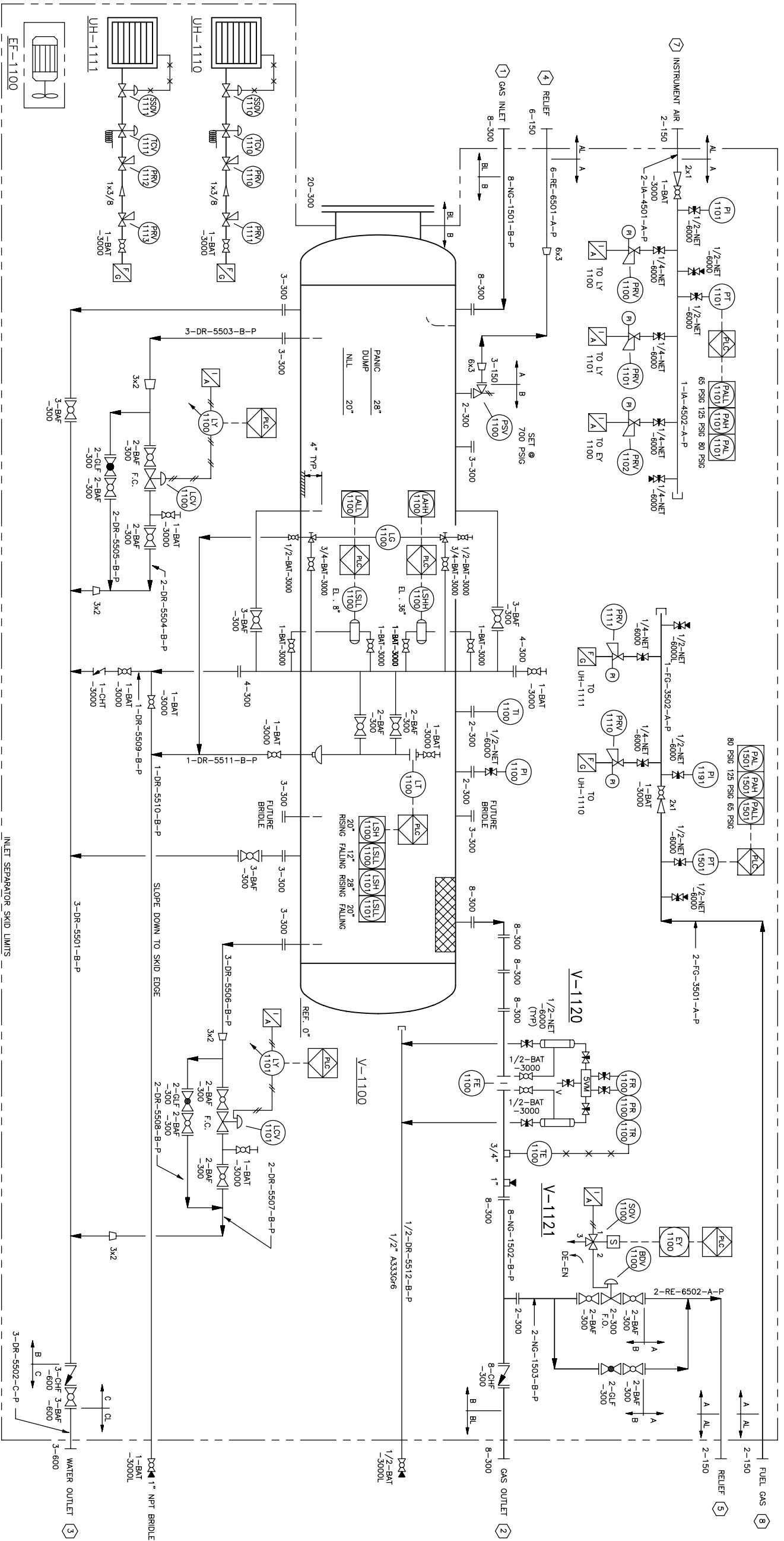
UJH-1110/1111

V-1120/1121

DRIP POTS

INLET SEPARATOR
 SIZE: 72" O.D. x 18'-0" S/S
 DESIGN: 700 PSIG @ 150/-20" MOMT
 CORROSION ALLOWANCE: 1/16"

MODEL: BR 2438
 MANUF: 24300 BDU/HR (7.0 KW)
 NATURAL GAS
 C/W PRESSURE REGULATOR,
 TEMPERATURE CONTROL VALVE
 & SAFETY SHUT-OFF VALVE
 120 VAC



NOTE:
 1. ALL NOZZLES AT SKID EDGE EXCEPT INSTRUMENT DRAINS
 TO HAVE A B.O.P. OF 8'-0" ABOVE T.O. SKID.

PROJECT: SouSA COMPRESSION & DEHYDRATION FACILITY		TITLE: PIPING AND INSTRUMENTATION DIAGRAM		DRAWING NO.: MFF-222	
PROJECT: 07-04-113-04 WSM		PROJECT NO.: 1524		DRAWING NO.: P/FTX DWG# B7122-021	
5	S.R.W.	AS BUILT	JAN/17/2005	M.E.	
4	S.R.W.	REVISED DRAIN LINE	DEC/20/2004	M.E.	
3	S.R.W.	ADDED PRESSURE TRANSMITTER	NOV/25/2004	M.E.	
2	S.R.W.	REVISED AS NOTED	OCT/18/2004	M.E.	
1	S.R.W.	REVISED UNIT HEATERS	SEP/24/2004	M.E.	
0	S.R.W.	ISSUED FOR CONSTRUCTION	SEP/24/2004	M.E.	
A	S.R.W.	ISSUED FOR BID	AUG/10/2004	M.E.	
	REV.	BY	DATE	APP'D	
REFERENCE DRAWING					

