

NuVista Energy Ltd.

A#: 560371

Low Temp Blowcase

Sunchild 11-29-43-11 W5M

RED FLAME NDT SERVICES LTD

Drawing #: NEL-031

All measurements below are in Imperial (inches)

NuVista Energy
Sunchild
11/29/43/11 W5M

Equipment: Low Temp Blowcase
 Manufacturer: Larsen & D'Amico
 Type Of Service: Sweet

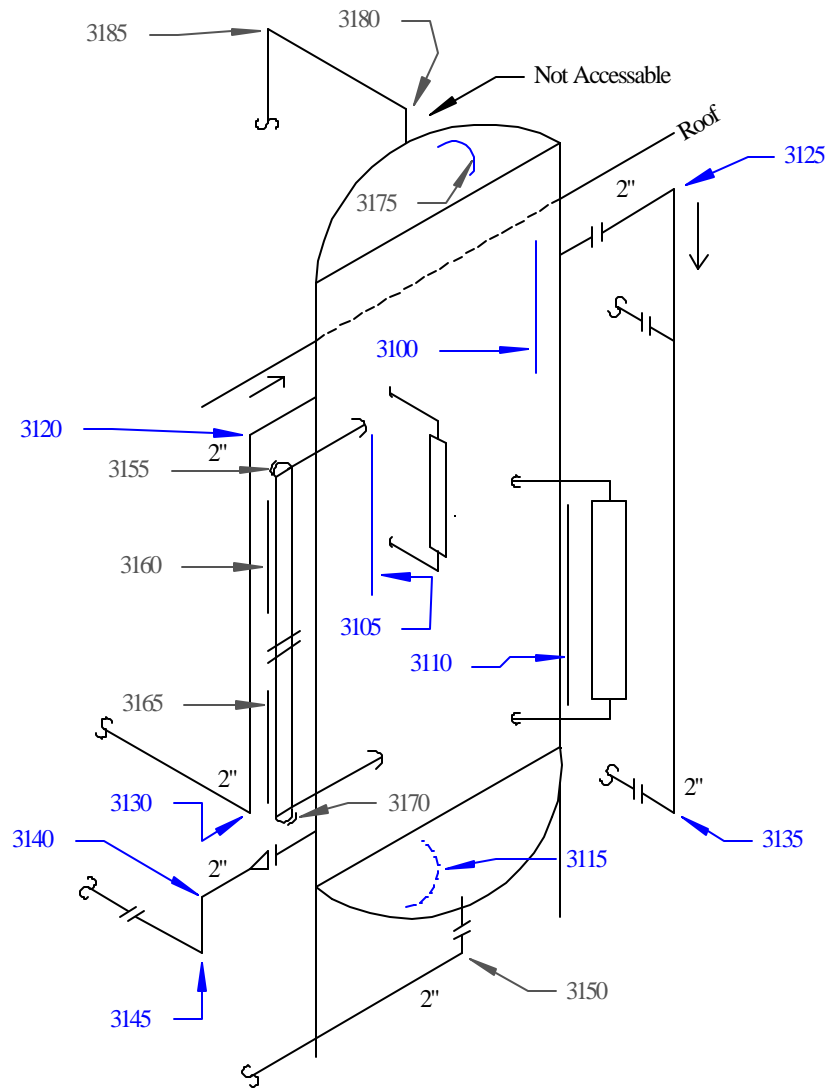
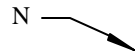
A #: 560371
 CRN: P-9738.21
 S.N.: BC-13469
 Size: 48"
 Code:
 PWHT: Yes
 Equipment #:

Drawing #: NEL-031
 Radiography: RT-1
 Date Built: Jan-2006
 Insulated: Yes
 Design Temperature: 126 °F
 Design Pressure 1: 1440 psi
 Design Pressure 2: psi

Flag Status Legend

Shell (A) 5% below Nom. *Flags (B), (C), (D) are the same for all.*
Heads (A) below Min. (B) less than 10% of avg. thickness
Nozzle (A) 12.5% below Nom. (C) 5% or 0.040" below last reading
Pipe (A) 12.5% below Nom. (D) STL >= 0.025" per year

Point	Scan Location	ULTRASONIC EXAMINATIONS	SPECIFICATIONS			Short Term Loss	Long Term Loss	Flag Status Code
			Nom	CA	Min			
3100	V-Band on Shell	Dec-2010						
		Min.	3.321	3.250	0.1250	3.240		
	Material: -	Ave.	3.325					
3105	V-Band on Shell	Dec-2010						
		Min.	3.326	3.250	0.1250	3.240		
	Material: -	Ave.	3.330					
3110	V-Band on Shell	Dec-2010						
		Min.	3.317	3.250	0.1250	3.240		
	Material: -	Ave.	3.325					
3115	V-Band on Head	Dec-2010						
		Min.	3.189	3.125	0.1250	3.125		
	Material: -	Ave.	3.205					
3120	V-Band on Elbow	Dec-2010						
		Min.	0.321	0.343	0.0000	0.300	0.022	
	Material: SA 234 WPB	Ave.	0.355	Comment:: 2" S160 - Specification Data is Assumed(Dec'10)				
3125	V-Band on Elbow	Dec-2010						
		Min.	0.292	0.343	0.0000	0.300	0.051	
	Material: SA 234 WPB	Ave.	0.325	Comment:: 2" S160 - Specification Data is Assumed - Low @ Apex(Dec'10)				A, B
3130	V-Band on Elbow	Dec-2010						
		Min.	0.316	0.343	0.0000	0.300	0.027	
	Material: SA 234 WPB	Ave.	0.345	Comment:: 2" S160 - Specification Data is Assumed(Dec'10)				
3135	V-Band on Elbow	Dec-2010						
		Min.	0.318	0.343	0.0000	0.300	0.025	
	Material: SA 234 WPB	Ave.	0.340	Comment:: 2" S160 - Specification Data is Assumed(Dec'10)				
3140	V-Band on Elbow	Dec-2010						
		Min.	0.313	0.343	0.0000	0.300	0.030	
	Material: SA 234 WPB	Ave.	0.335	Comment:: 2" S160 - Specification Data is Assumed(Dec'10)				
3145	V-Band on Elbow	Dec-2010						
		Min.	0.318	0.343	0.0000	0.300	0.025	
	Material: SA 234 WPB	Ave.	0.335	Comment:: 2" S160 - Specification Data is Assumed(Dec'10)				



NuVista Energy Ltd.

A#: 560371

Low Temp Blowcase

Sunchild 11-29-43-11 W5M

RED FLAME NDT SERVICES LTD

Drawing #: NEL-031A

All measurements below are in Imperial (inches)

NuVista Energy
Sunchild
11/29/43/11 W5M

Equipment: *Low Temp Blowcase*
 Manufacturer: *Larsen & D'Amico*
 Type Of Service: *Sweet*

A #: 560371
 CRN: P-9738.21
 S.N.: BC-13469
 Size: 48"
 Code:
 PWHT: Yes
 Equipment #:

Drawing #: NEL-031A
 Radiography: RT-1
 Date Built: Jan-2006
 Insulated: Yes
 Design Temperature: 126 °F
 Design Pressure 1: 1440 psi
 Design Pressure 2: psi

Flag Status Legend

Shell (A) 5% below Nom. (B) less than 10% of avg. thickness
 (C) 5% or 0.040" below last reading
 (D) STL >= 0.025" per year
Heads (A) below Min.
Nozzle (A) 12.5% below Nom.
Pipe (A) 12.5% below Nom.

Point	Scan Location	ULTRASONIC EXAMINATIONS			SPECIFICATIONS			Short Term Loss	Long Term Loss	Flag Status Code
		Min.	Ave.	Dec-2010	Nom	CA	Min			
3150	V-Band on Elbow	Min.		Dec-2010	0.343	0.0000	0.300	0.022		
	Material: SA 234 WPB	Ave.	0.321		Comment:: 2" XXS - Specification Data is Assumed(Dec'10)					
			0.330		-----					
3155	V-Band on Head	Min.		Dec-2010	0.531	0.0000	0.465			
	Material: -	Ave.	0.538		Comment:: 4" S160 - Specification Data is Assumed(Dec'10)					
			0.575		-----					
3160	V-Band on Shell	Min.		Dec-2010	0.531	0.0000	0.465	0.091		
	Material: -	Ave.	0.440		Comment:: 4" S160 - Specification Data is Assumed(Dec'10)					
			0.445		-----					
3165	V-Band on Shell	Min.		Dec-2010	0.531	0.0000	0.465	0.081		
	Material: -	Ave.	0.450		Comment:: 4" S160 - Specification Data is Assumed(Dec'10)					
			0.455		-----					
3170	V-Band on Head	Min.		Dec-2010	0.531	0.0000	0.465			
	Material: -	Ave.	0.533		Comment:: 4" S160 - Specification Data is Assumed(Dec'10)					
			0.575		-----					
3175	V-Band on Head	Min.		Dec-2010	3.125	0.0000	3.125			
	Material: -	Ave.	0.000		Comment:: No Access(Dec'10)					
			0.000		-----					
3180	V-Band on Elbow	Min.		Dec-2010	0.000	0.0000	0.000			
	Material: -	Ave.	0.000		Comment:: No Access(Dec'10)					
			0.000		-----					
3185	V-Band on Elbow	Min.		Dec-2010	0.000	0.0000	0.000			
	Material: -	Ave.	0.000		Comment:: No Access(Dec'10)					
			0.000		-----					