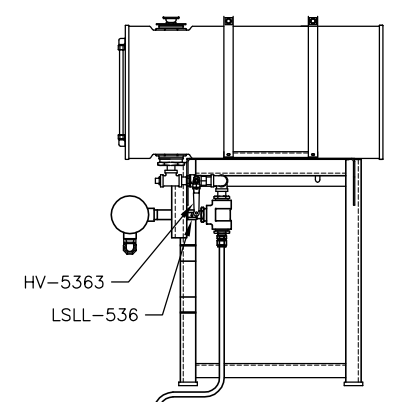
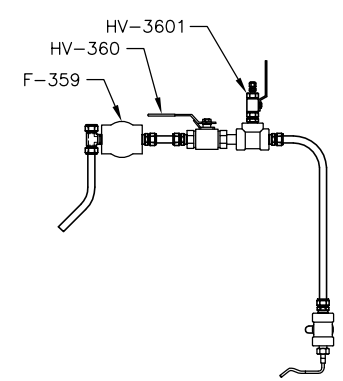


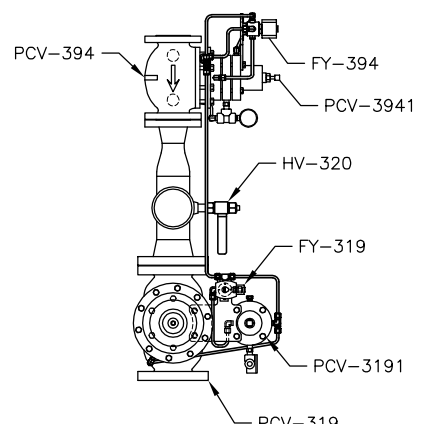
VIEW A-A (LOWER)
ITEMS REMOVED FOR CLARITY



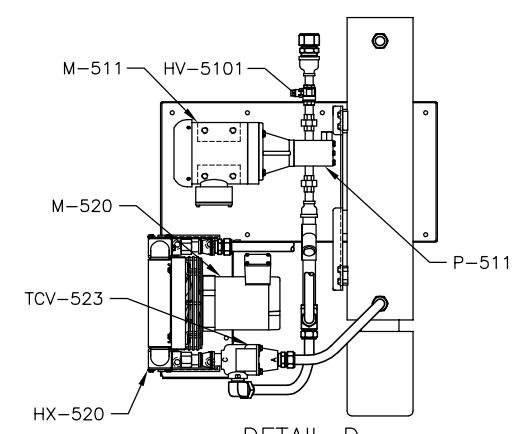
VIEW A-A (UPPER)
ITEMS REMOVED FOR CLARITY



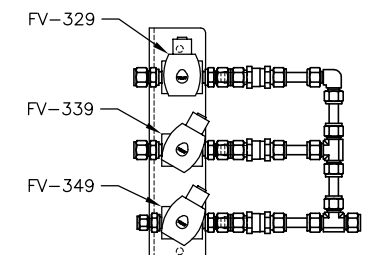
DETAIL B
ITEMS REMOVED FOR CLARITY



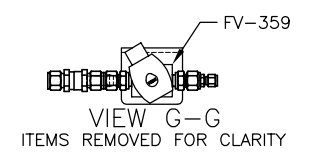
VIEW C-C
ITEMS REMOVED FOR CLARITY



DETAIL D
ITEMS REMOVED FOR CLARITY



DETAIL F
ITEMS REMOVED FOR CLARITY

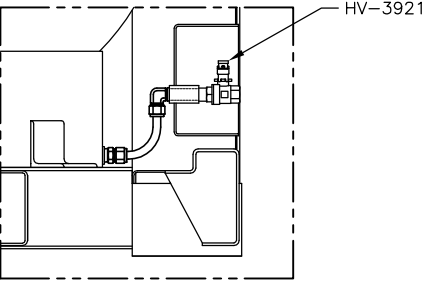
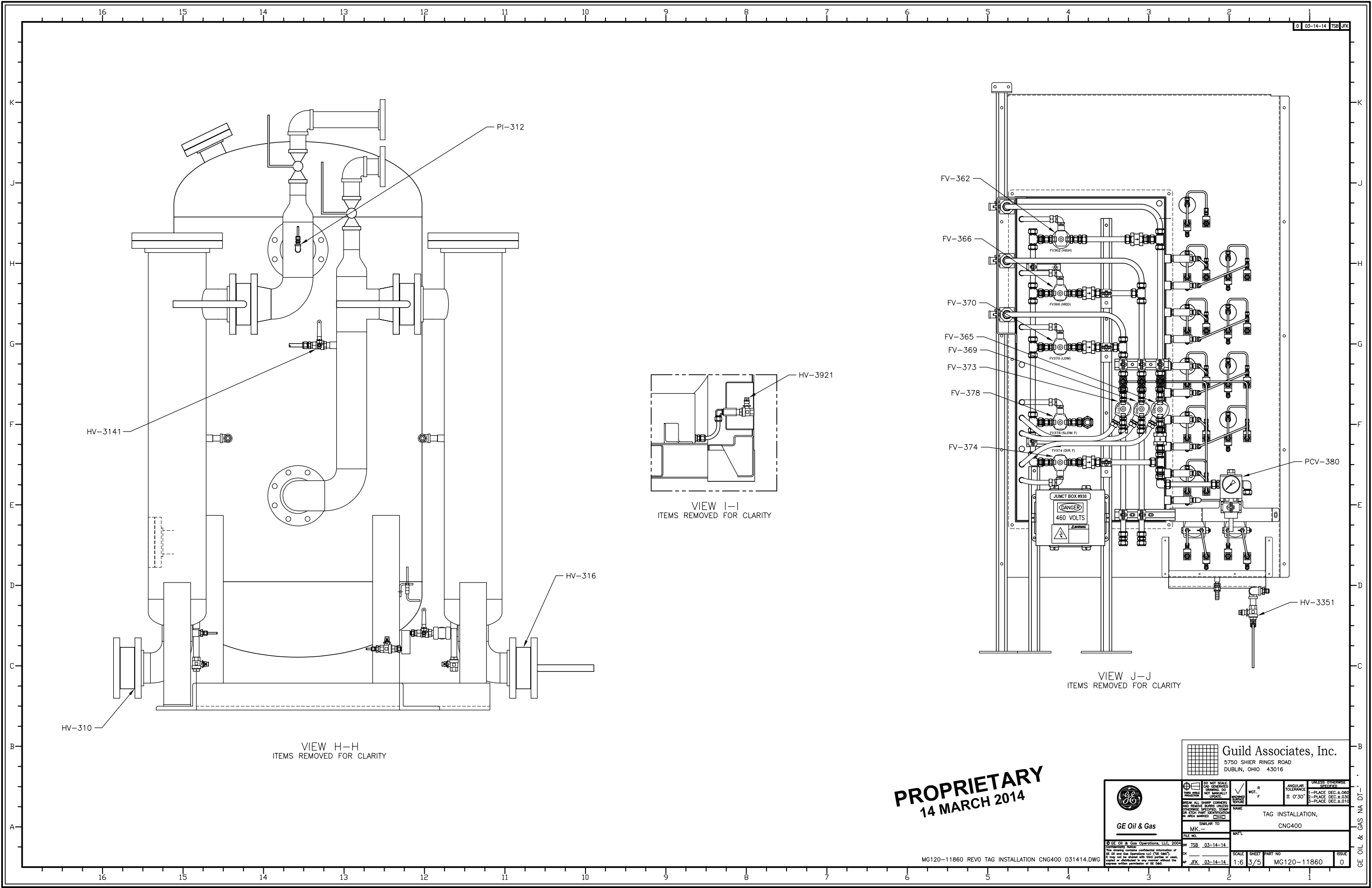


VIEW G-G
ITEMS REMOVED FOR CLARITY

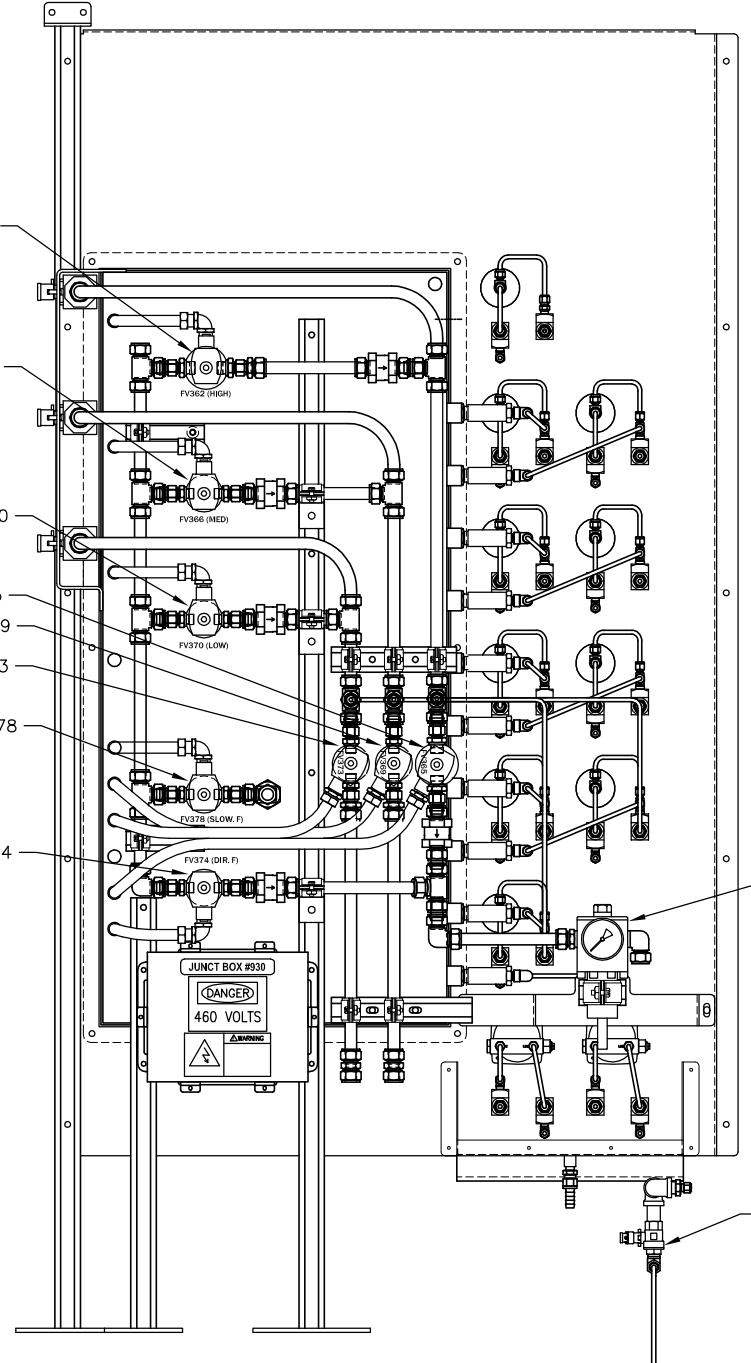
PROPRIETARY
14 MARCH 2014

Guild Associates, Inc.
5750 SHIER RINGS ROAD
DUBLIN, OHIO 43016

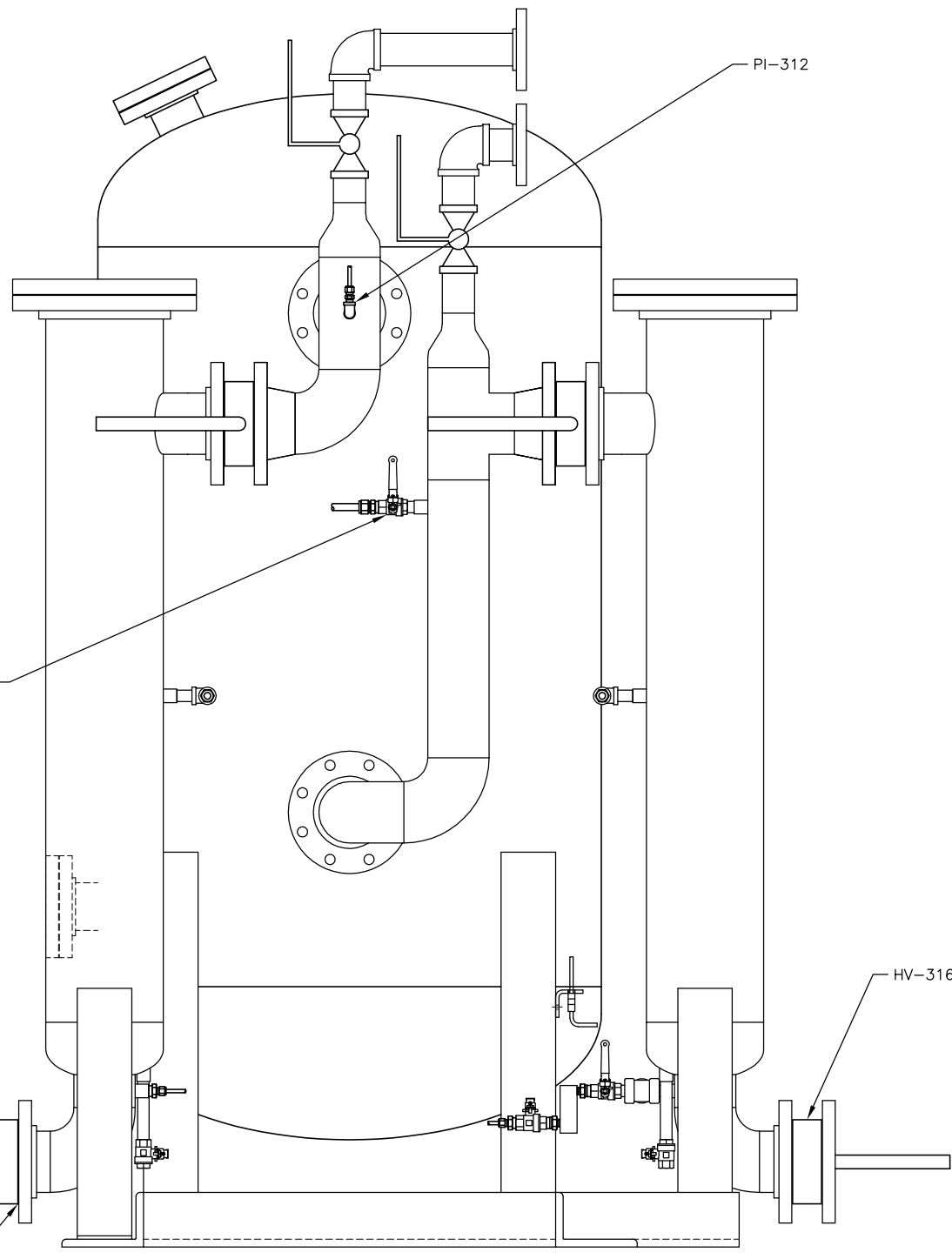
<p>GE Oil & Gas</p>	<p>DO NOT SCALE DIMENSIONS UNLESS OTHERWISE SPECIFIED</p>	<p>WGT. R F</p>	<p>ANGULAR TOLERANCE ± 0°30'</p>
	<p>1-PLACE DEC.±.060 2-PLACE DEC.±.035 3-PLACE DEC.±.010</p>	<p>GENERAL ARRANGEMENT, CNG SYSTEM, 400HP, COLD WEATHER</p>	
<p>GE Oil & Gas Operations, LLC, 2004 Confidentiality Notice: This drawing contains confidential information of GE Oil and Gas Operations LLC (GE O&G). It may not be shared with third parties or used, copied or distributed in any manner without the express written permission of GE O&G.</p>	<p>SIMILAR TO MK, -</p>	<p>SCALE SHEET PART NO 1:10 2/5</p>	<p>ISSUE MG120-11860 A</p>



VIEW I-I
ITEMS REMOVED FOR CLARITY



VIEW J-J
ITEMS REMOVED FOR CLARITY

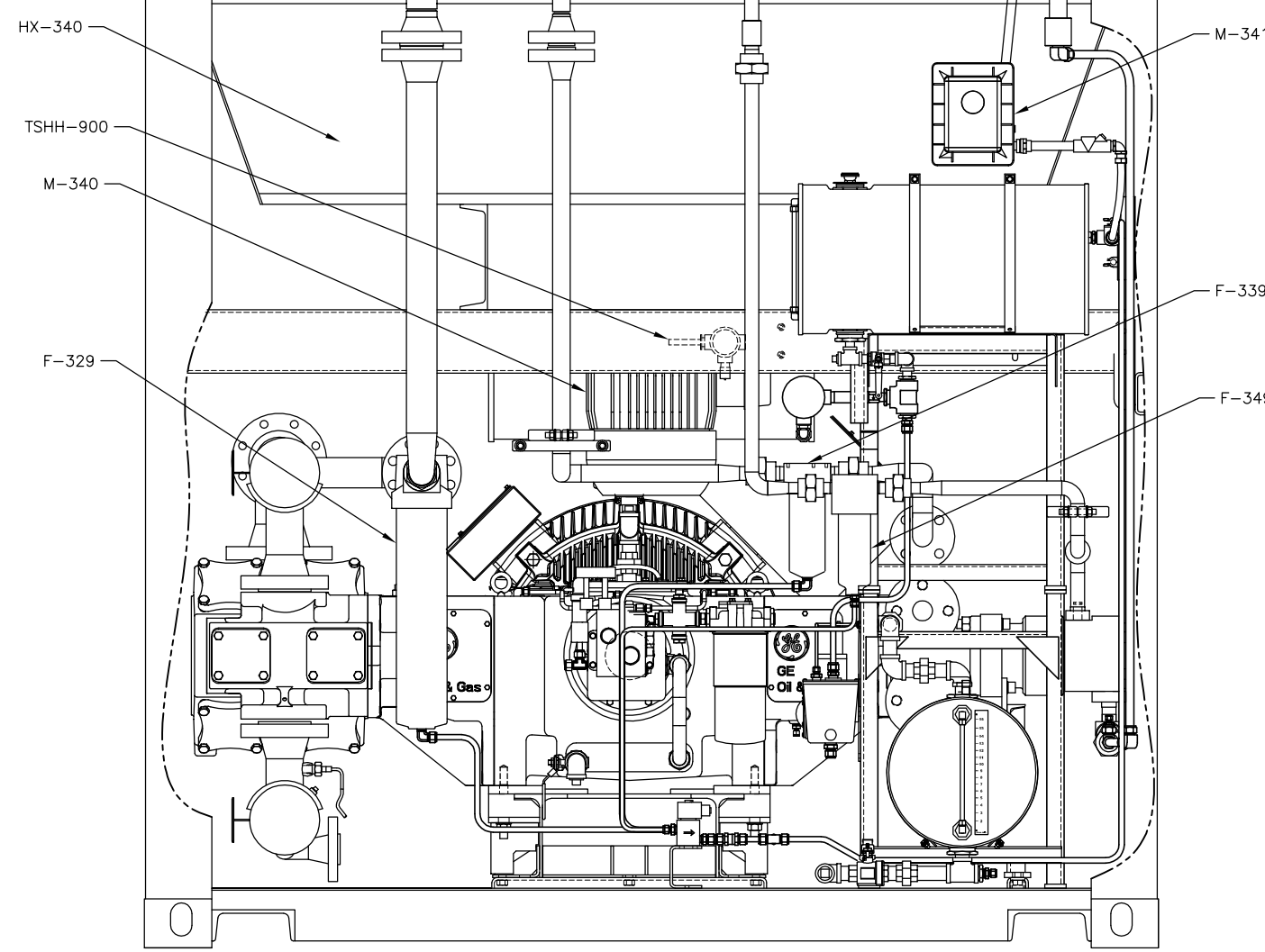
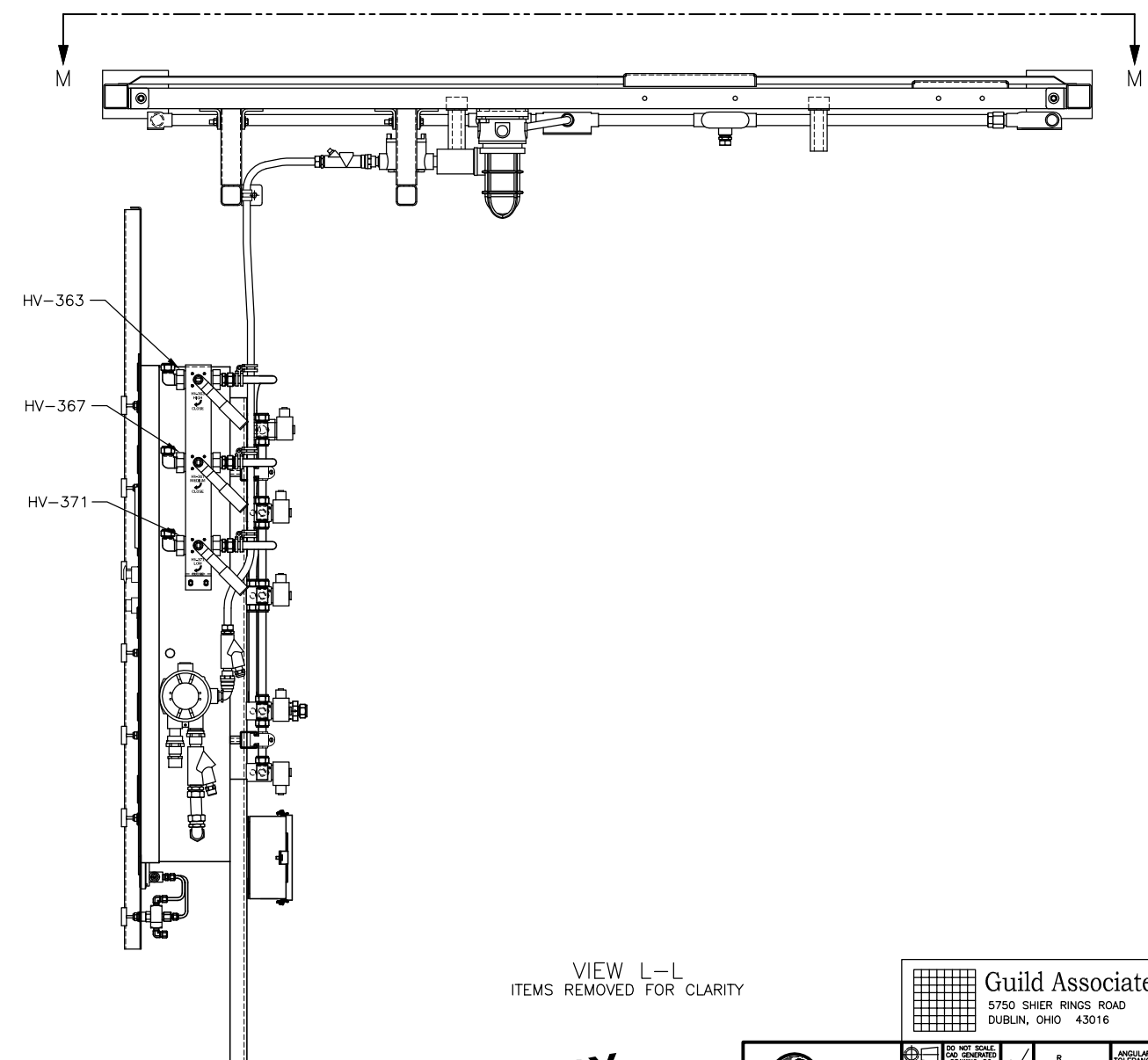
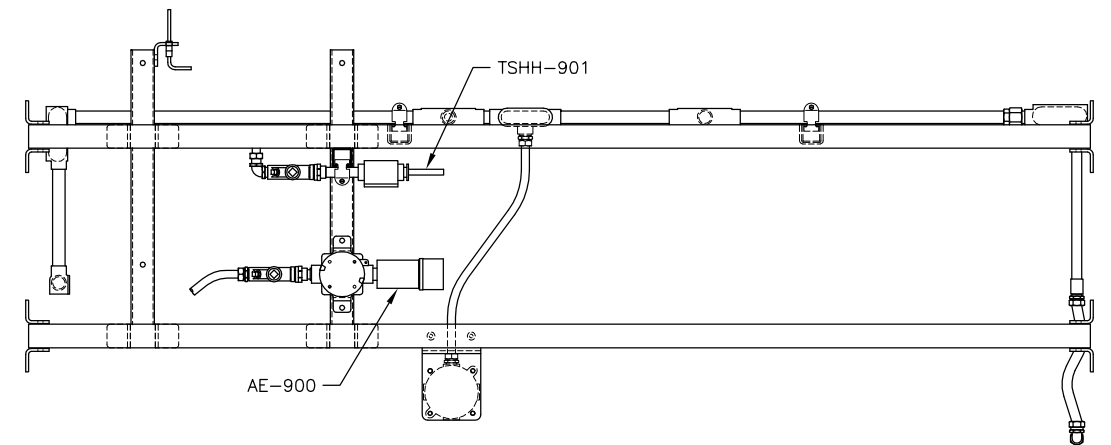
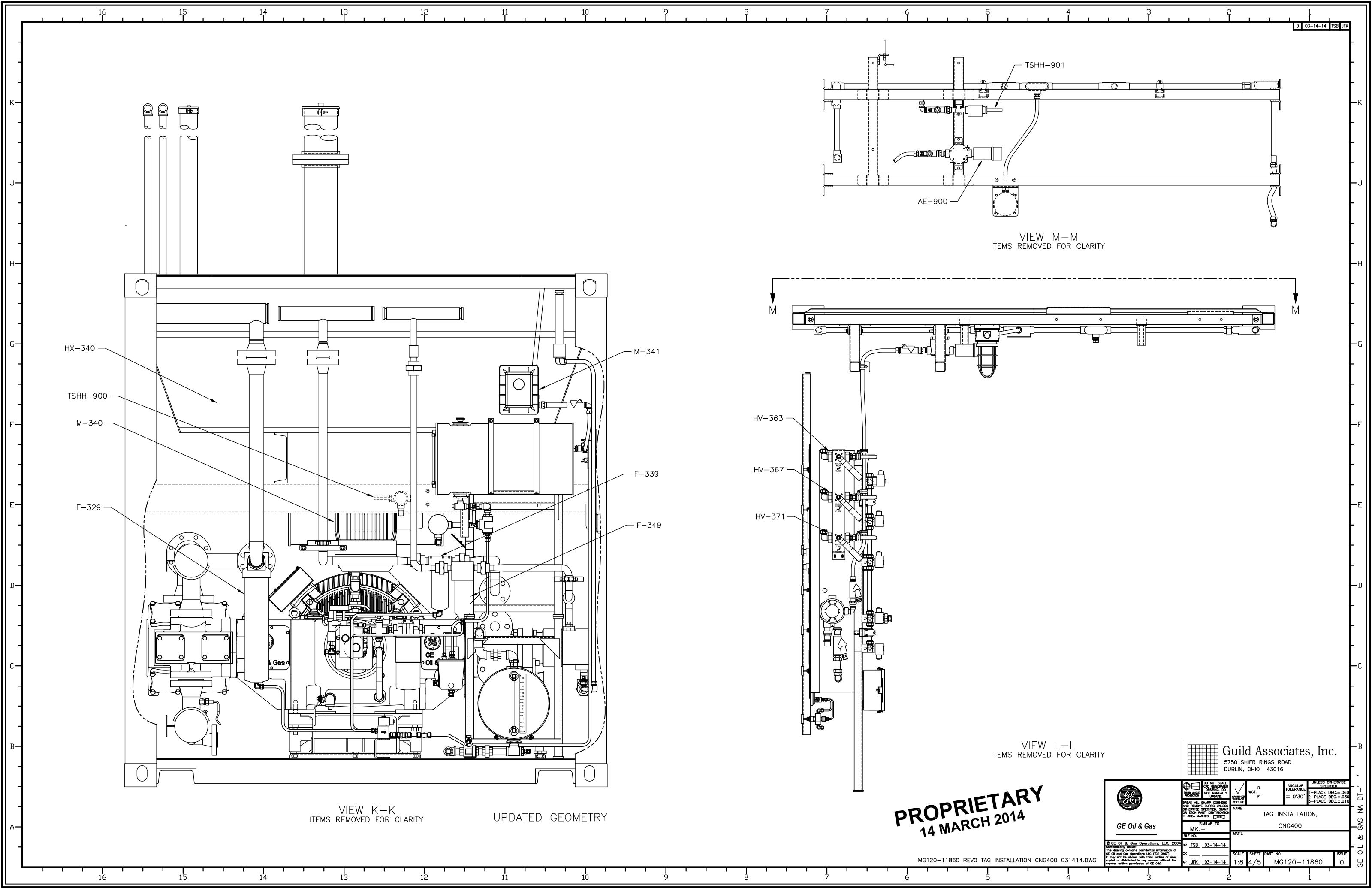


VIEW H-H
ITEMS REMOVED FOR CLARITY

PROPRIETARY
14 MARCH 2014

Guild Associates, Inc.
5750 SHIER RINGS ROAD
DUBLIN, OHIO 43016

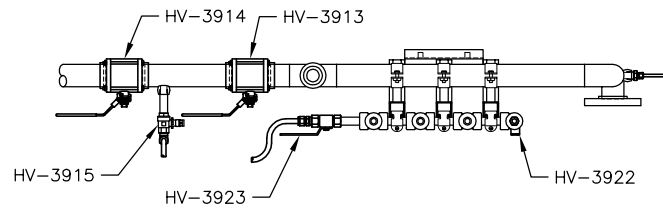
<p>GE Oil & Gas</p>	<p>DO NOT SCALE DIMENSIONS DO NOT MANUALLY DIMENSION UNLESS OTHERWISE SPECIFIED</p>	<p>WGT. R F</p>	<p>ANGULAR TOLERANCE 1-PLACE DEC: ±.060 2-PLACE DEC: ±.035 3-PLACE DEC: ±.010</p>
	<p>PREPARE ALL SHARP CORNERS AND REMOVE BURRS UNLESS OTHERWISE SPECIFIED. STAMP OR ETCH PART IDENTIFICATION OR AREA MARKED</p>	<p>UNLESS OTHERWISE SPECIFIED</p>	<p>TAG INSTALLATION, CNG400</p>
<p>GE Oil & Gas Operations, LLC, 2004 Confidentiality Notice This drawing contains confidential information of GE Oil & Gas Operations LLC (GE O&G). It may not be shared with third parties or used, copied or distributed in any manner without the express written permission of GE O&G.</p>	<p>FILE NO. TSB_03-14-14</p>	<p>MATL. MK_-</p>	<p>ISSUE 0</p>



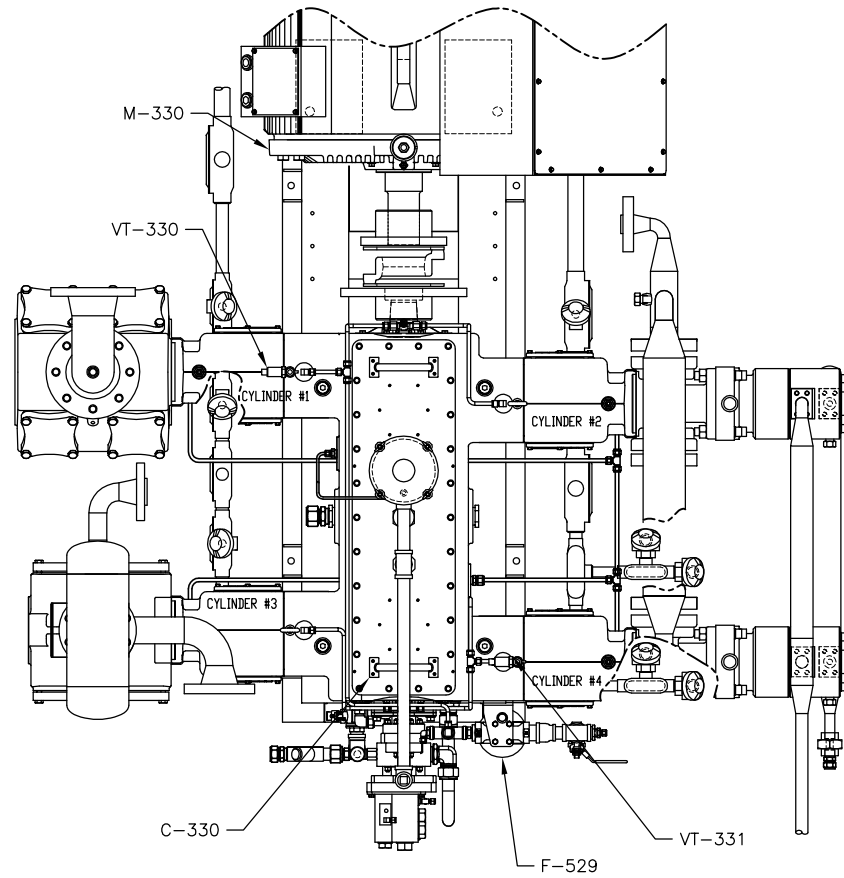
PROPRIETARY
14 MARCH 2014

Guild Associates, Inc.
5750 SHIER RINGS ROAD
DUBLIN, OHIO 43016

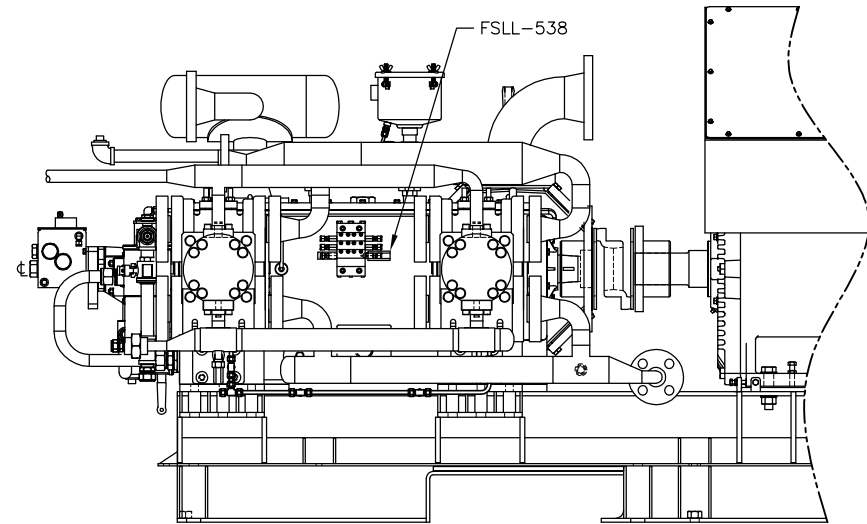
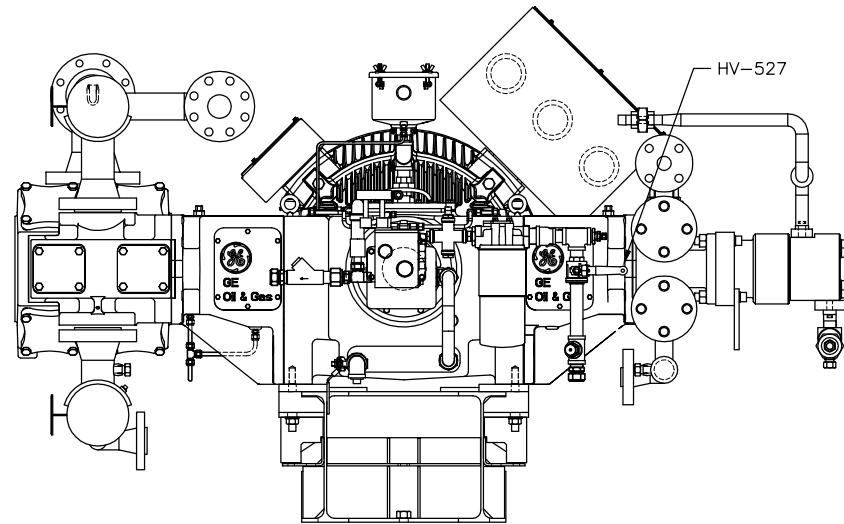
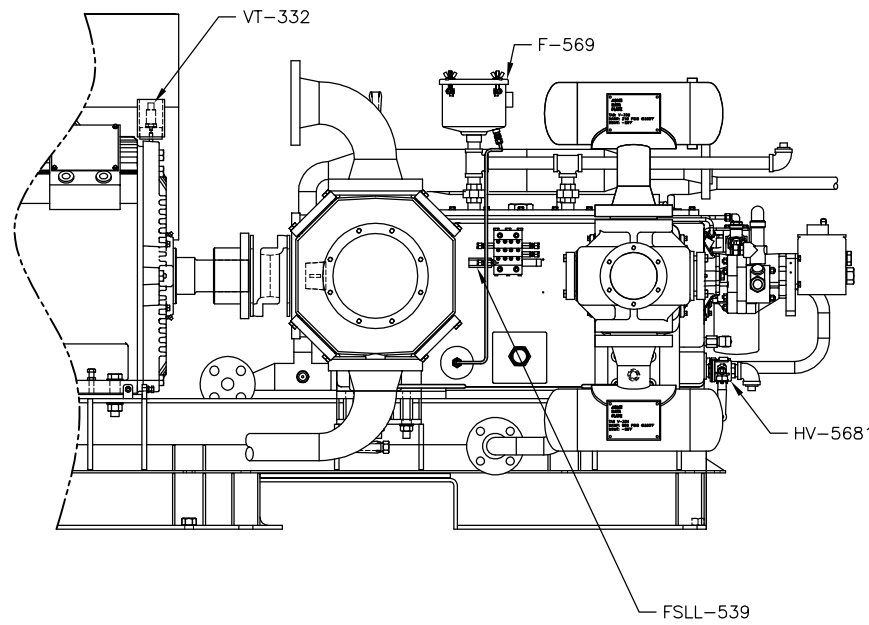
	DO NOT SCALE DIMENSIONS OR GENERATE DIMENSIONS FROM THIS DRAWING UNLESS SPECIFIED OTHERWISE	UNLESS OTHERWISE SPECIFIED
	1-PLACE DEC: ±0.060 2-PLACE DEC: ±0.030 3-PLACE DEC: ±0.010	ANGULAR TOLERANCE ± 0°30'
GE Oil & Gas	TAG INSTALLATION, CNG400	
FILE NO. MK- SIMILAR TO	MATL.	
TSB 03-14-14	SCALE SHEET PART NO	ISSUE
JFK 03-14-14	1:8 4/5 MG120-11860	0



DETAIL N-N
ITEMS REMOVED FOR CLARITY



VIEW K-K
ITEMS REMOVED FOR CLARITY



PROPRIETARY
14 MARCH 2014

Guild Associates, Inc.
5750 SHIER RINGS ROAD
DUBLIN, OHIO 43016

<p>GE Oil & Gas</p>	<p>DO NOT SCALE DIMENSIONS DO NOT MANUALLY REVISE</p>	<p>WGT. R F</p>	<p>ANGULAR TOLERANCE ± 0°30'</p>
	<p>REMOVE ALL SHARP CORNERS AND REMOVE BURRS UNLESS OTHERWISE SPECIFIED. STAMP OR ETCH PART IDENTIFICATION IN AREA MARKED</p>	<p>UNLESS OTHERWISE SPECIFIED 1-PLACE DEC:±.060 2-PLACE DEC:±.030 3-PLACE DEC:±.010</p>	<p>TAG INSTALLATION, CNG400</p>
<p>FILE NO. MK.-</p>	<p>MATERIAL</p>	<p>SCALE SHEET PART NO 1:10 5/5 MG120-11860</p>	<p>ISSUE 0</p>