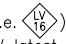

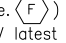

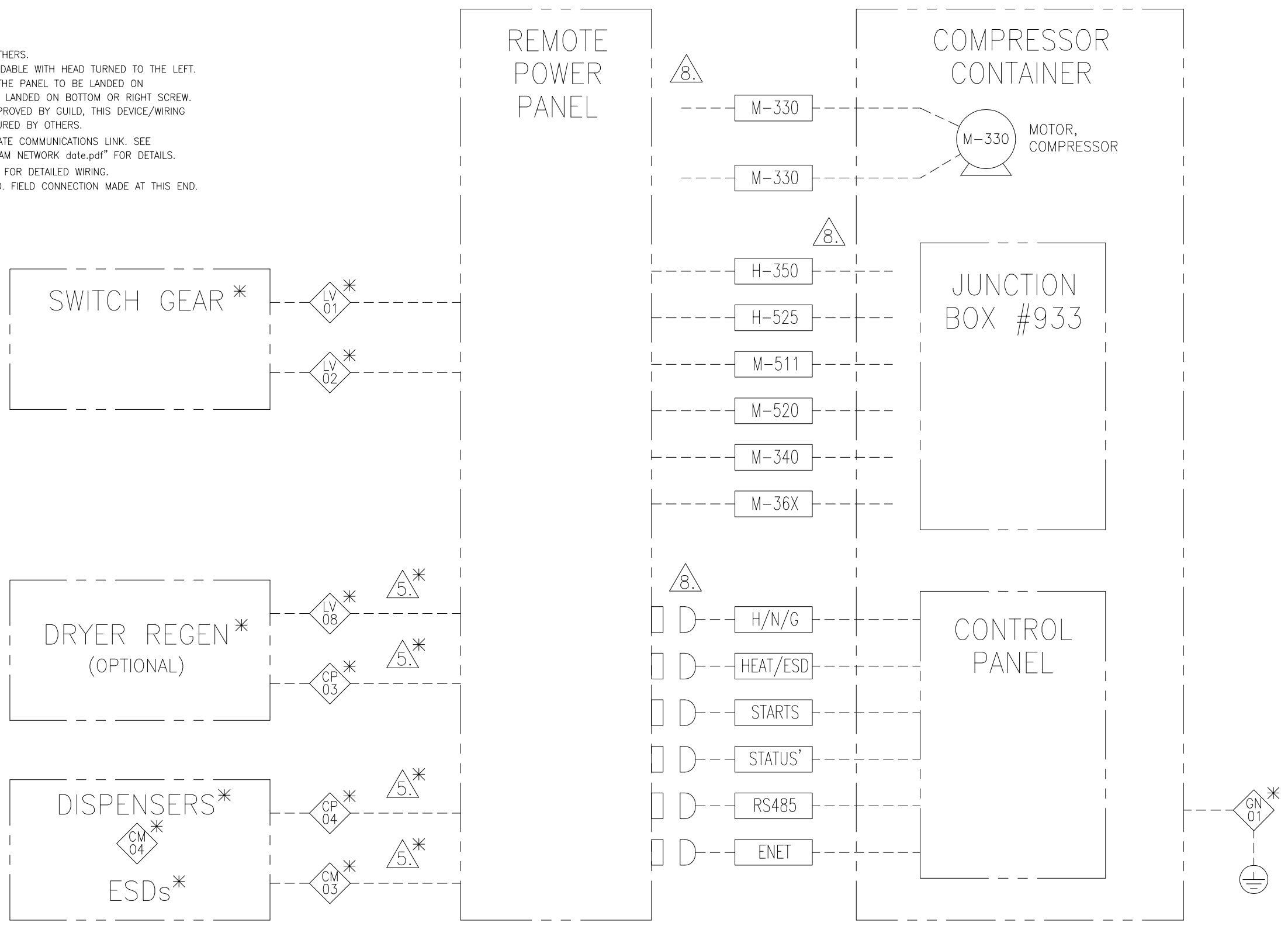



NOTES: UNLESS OTHERWISE SPECIFIED

- DIAMONDS WITH NUMBERS (i.e. ) INDICATE FIELD CONNECTIONS BY OTHERS. SEE DRAWING "MG129-00902 REV latest LIST FIELD ELECT date.xls" FOR DETAILS.
MV = MEDIUM VOLTAGE 4160V
LV = LOW VOLTAGE 460V
CP = CONTROL POWER 120V
IN = INSTRUMENTATION 24V
CM = COMMUNICATIONS
GN = GROUND
- * INDICATES EQUIPMENT SUPPLIED BY OTHERS.
- ORIENT VERTICLE WIRE LABELS TO BE READABLE WITH HEAD TURNED TO THE LEFT.
- WHERE APPLICABLE, WIRING INTERNAL TO THE PANEL TO BE LANDED ON TOP OR LEFT SCREW. FIELD WIRING TO BE LANDED ON BOTTOM OR RIGHT SCREW.
-  AFTER SITE ELECTRICAL CHECKED AND APPROVED BY GUILD, THIS DEVICE/WIRING REQUIRES CONDUIT SEAL PACKED AND POURED BY OTHERS.
- HEXAGONS WITH LETTERS (i.e. ) INDICATE COMMUNICATIONS LINK. SEE DRAWING "MG129-00906 REV latest DIAGRAM NETWORK date.pdf" FOR DETAILS.
- REFER TO SCHEMATIC DWG MG129-00900 FOR DETAILED WIRING.
-  CONNECTION & CABLE SUPPLIED BY GUILD. FIELD CONNECTION MADE AT THIS END.



PROPRIETARY
22 AUG 2014

Guild Associates, Inc.
5750 SHIER RINGS ROAD
DUBLIN, OHIO 43016

 GE Oil & Gas	DO NOT SCALE DIMENSIONS OR THIS ANGLE NOT MANUALLY PRODUCE THIS ANGLE NOT MANUALLY PRODUCE	125/150 WGT. R NA F NA	UNLESS OTHERWISE SPECIFIED ANGULAR TOLERANCE ± 0°30' 1-PLACE DEC: ±.060 2-PLACE DEC: ±.030 3-PLACE DEC: ±.010
	BREAK ALL SHARP CORNERS AND REMOVE BURRS UNLESS OTHERWISE SPECIFIED. STAMP OR ETCH PART IDENTIFICATION IN AREA MARKED	NAME SIMILAR TO MK. - FILE NO. NONE	MAT'L MAT'L
© GE Oil & Gas Operations, LLC, 2004 Confidentiality Notice This drawing contains confidential information of GE Oil and Gas Operations LLC. THE OWNER It may not be copied, reproduced, or used, copied or distributed in any manner without the express written permission of GE Oil & Gas.	MKG_08-22-14 MKG_08-22-14	SCALE SHEET PART NO NA 1/1 MG129-00903	ISSUE 0