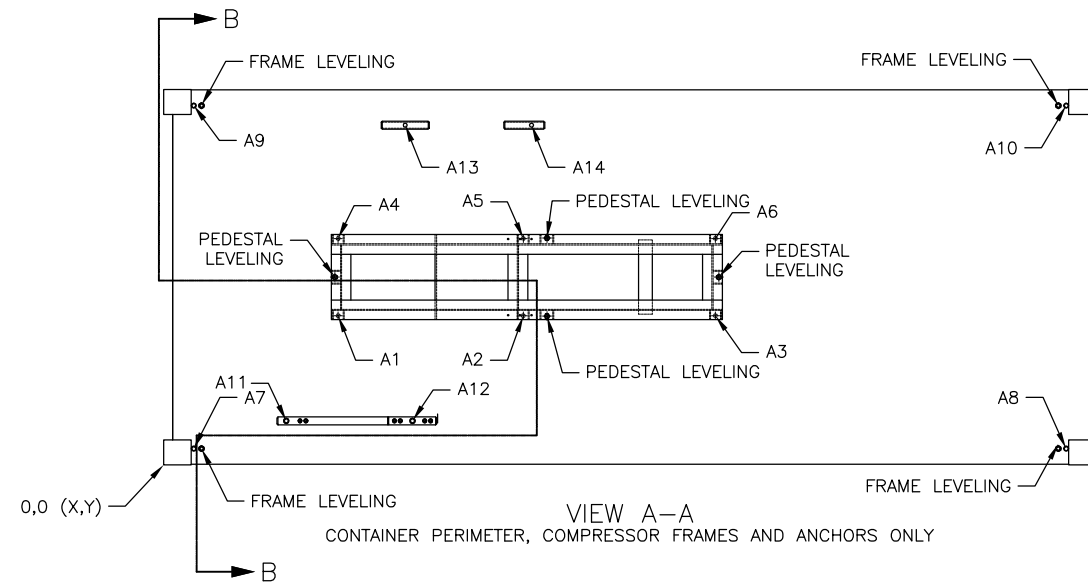
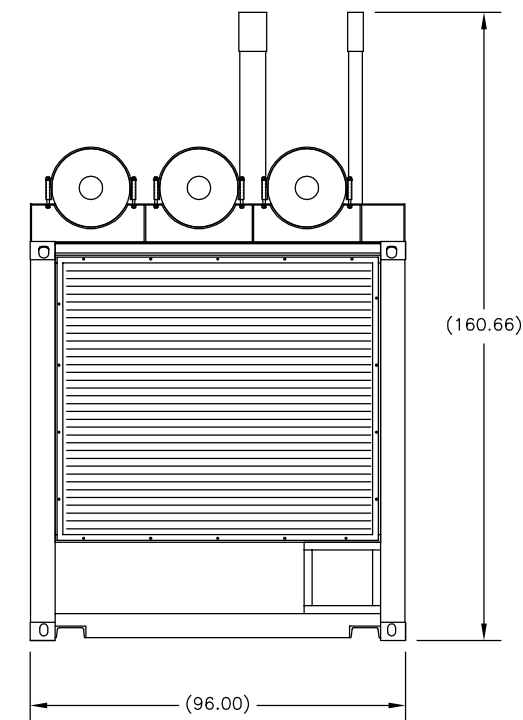
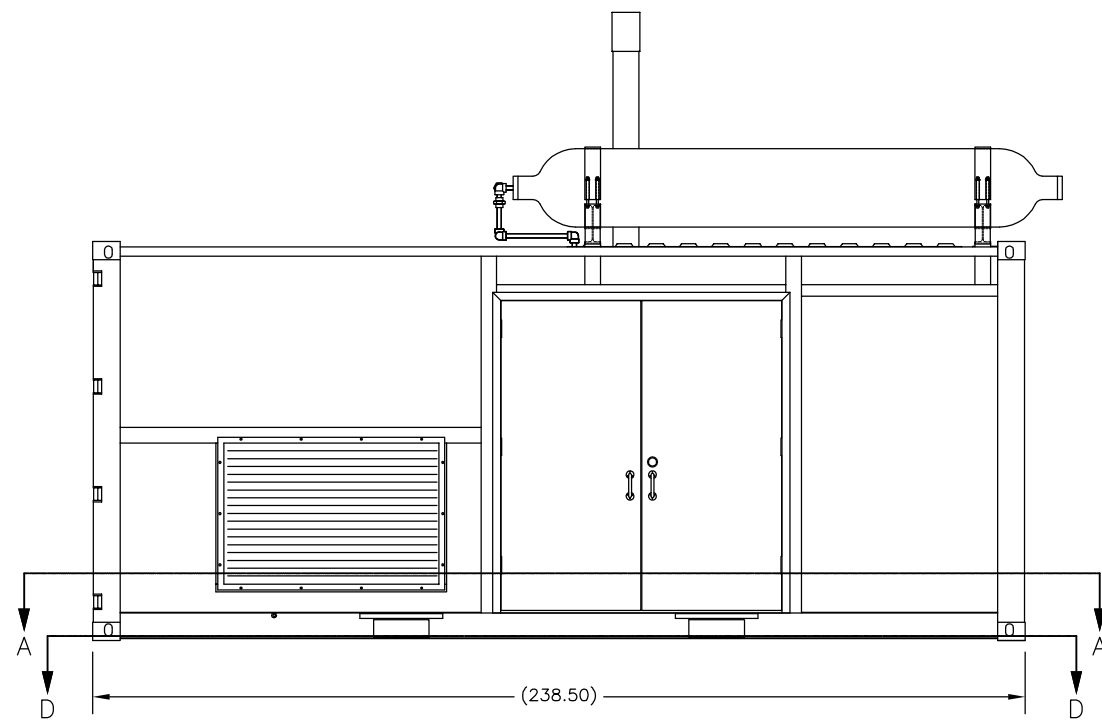


NOTES: UNLESS OTHERWISE SPECIFIED

1. VERIFY FOUNDATION SURFACE IS EXPOSED AGGREGATE OR ROUGHED WITH A CHIPPING HAMMER IN GROUT AREAS PRIOR TO GROUTING.
2. GROUTING INSTRUCTIONS:
 - A. SET UNIT IN PLACE OVER EMBEDDED ANCHORS.
 - B. ADJUST COMPRESSOR SYSTEM (UNIT) UNTIL LEVEL WITH 0.50" MINIMUM GAP AT CORNER FITTINGS USING LEVELING BOLTS.
 - C. MARK 4 CORNER ANCHOR LOCATIONS (A7-10) ON FOUNDATION.
 - D. REMOVE UNIT FROM FOUNDATION.
 - E. DRILL $\phi 1-1/4$ " HOLES AT MARKED LOCATIONS FOR $\phi 3/4$ " HILTI ANCHOR INSERTS (PART NUMBER 258023).
 - F. INSTALL GROUT FORMS TO CREATE GROUT PERIMETERS AS SHOWN.
 - G. POUR APPROX 3 CUBIC FEET OF GROUT (ITW POLYMER TECHNOLOGIES CHALKFAST RED OR EQUIVALENT) FLUSH WITH TOP SURFACES OF FORMS.
 - H. AFTER PREPARING HOLES PER HILTI INSTALLATION INSTRUCTIONS, PLACE ANCHOR INSERTS IN CORNERS WITH THREADED PROJECTIONS (ANCHOR RODS).
 - I. FILL ANCHOR INSERT ANNULUS WITH HILTI RE500 EPOXY OR EQUIVALENT.
 - J. PLACE UNIT OVER ANCHOR RODS.
 - K. ALLOW GROUT TO CURE FOR 24 HOURS WITH UNIT IN PLACE.
 - L. REMOVE ALL LEVELING BOLTS.
 - M. INSTALL ANCHOR HARDWARE OVER ALL ANCHOR RODS.
 - N. TORQUE CORNER ANCHORS (A7-A10) TO 135 FT-LB.
 - O. TORQUE EMBEDDED ANCHORS (A1-A6, A11-A14) TO 205 FT-LB.



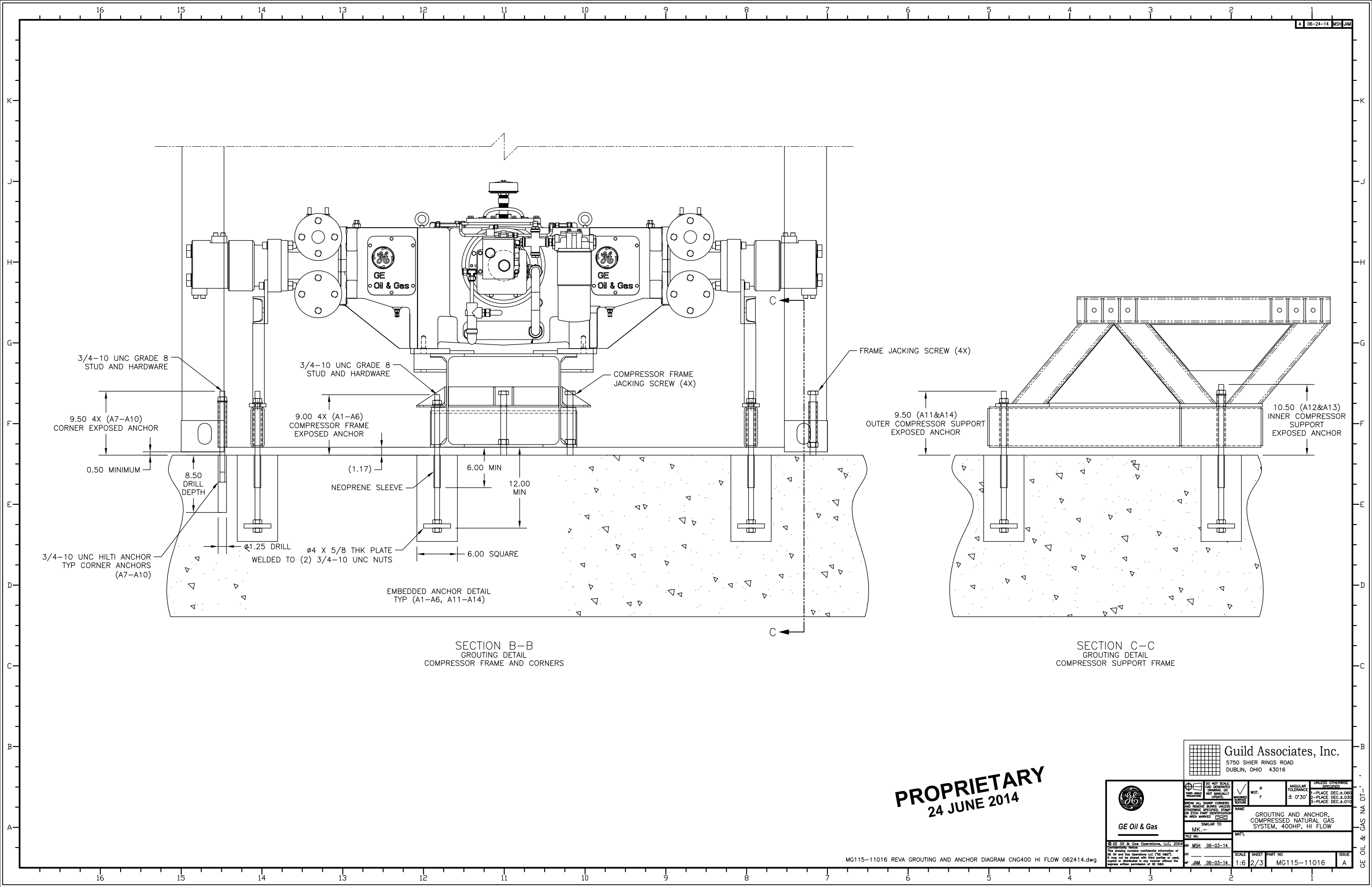
ANCHOR HOLE LOCATIONS		
TAG	HOLE SIZE	X, Y HOLE CENTER LOCATION
A1	$\phi 1.000$	44.62, 38.13
A2	$\phi 1.000$	91.96, 38.13
A3	$\phi 1.000$	141.12, 38.13
A4	$\phi 1.000$	44.62, 57.88
A5	$\phi 1.000$	91.96, 57.88
A6	$\phi 1.000$	141.12, 57.88
A7	$\phi 1.000$	7.67, 4.13
A8	$\phi 1.000$	230.83, 4.13
A9	$\phi 1.000$	7.67, 91.87
A10	$\phi 1.000$	230.83, 91.87
A11	$\phi 1.000$	31.33, 11.23
A12	$\phi 1.000$	63.62, 11.23
A13	$\phi 1.000$	61.77, 86.86
A14	$\phi 1.000$	94.07, 86.86



PROPRIETARY
24 JUNE 2014

Guild Associates, Inc.
5750 SHIER RINGS ROAD
DUBLIN, OHIO 43016

 GE Oil & Gas	DO NOT SCALE THIS ANGLE UNLESS OTHERWISE SPECIFIED	UNLESS OTHERWISE SPECIFIED
	WGT. R F	ANGULAR TOLERANCE ± 0'30" 1-PLACE DEC.±.060 2-PLACE DEC.±.030 3-PLACE DEC.±.010
PREPARE ALL SHARP CORNERS AND REMOVE BURRS UNLESS OTHERWISE SPECIFIED. STAMP OR ETCH PART IDENTIFICATION IN AREA MARKED.		
SIMILAR TO MK. -	NAME GRROUTING AND ANCHOR, COMPRESSED NATURAL GAS SYSTEM, 400HP, HI FLOW	
FILE NO. MK. -	MATL.	
GE Oil & Gas Operations, LLC, 2004 Confidentiality Notice This drawing contains confidential information of GE Oil & Gas Operations LLC (GE O&G). It may not be shared with third parties or used, copied or distributed in any manner without the express written permission of GE O&G.	OR MSH_06-03-14 DATE	SCALE SHEET PART NO 1:24 1/3 MG115-11016
GE OIL & GAS NA DT	ISSUE A	GE OIL & GAS NA DT



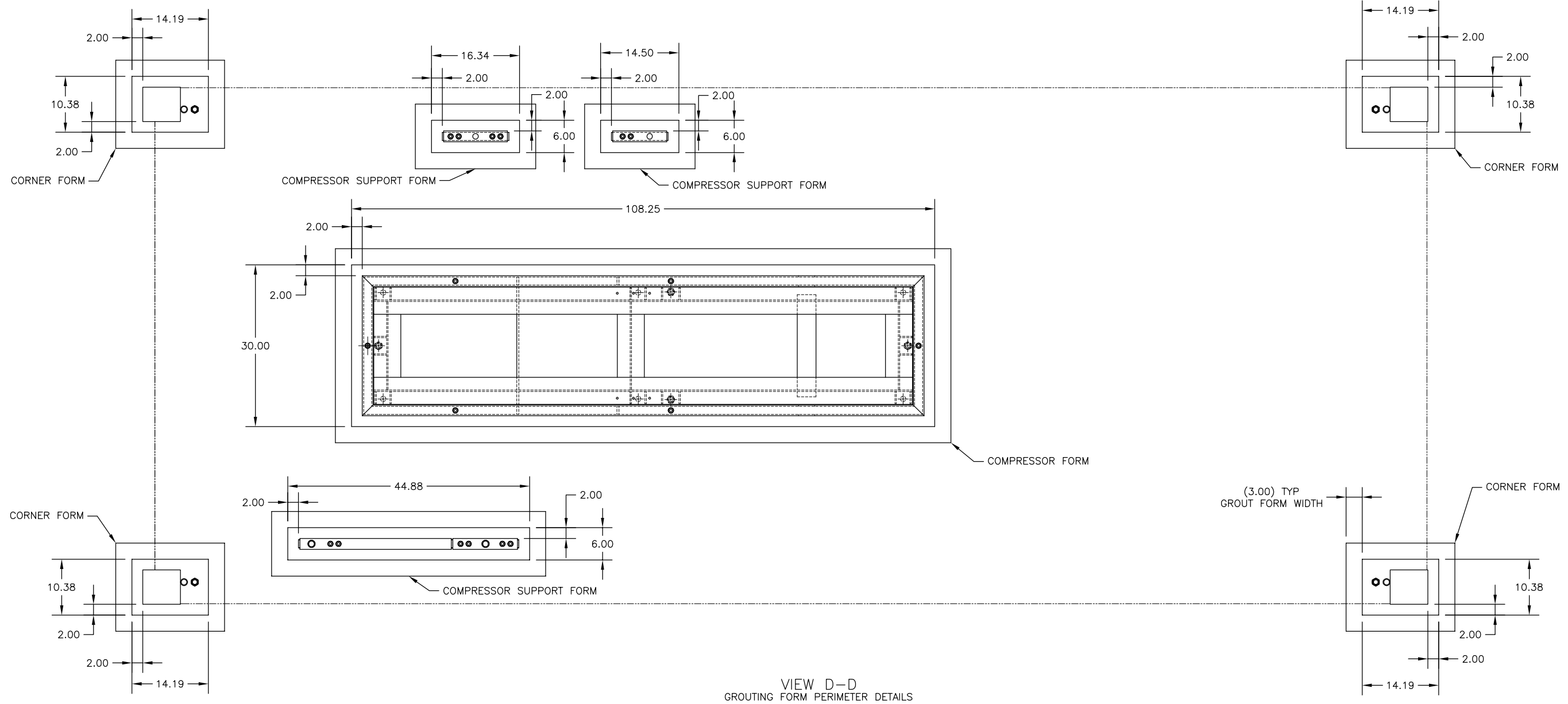
SECTION B-B
GROUTING DETAIL
COMPRESSOR FRAME AND CORNERS

SECTION C-C
GROUTING DETAIL
COMPRESSOR SUPPORT FRAME

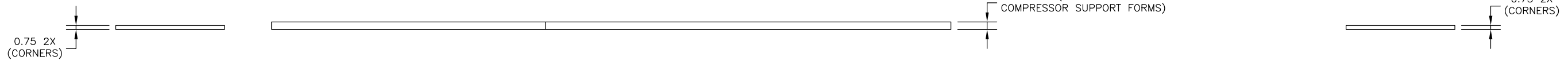
PROPRIETARY
24 JUNE 2014

Guild Associates, Inc.
5750 SHIER RINGS ROAD
DUBLIN, OHIO 43016

<p>GE Oil & Gas</p>	<p>DO NOT SCALE DIMENSIONS DO NOT MANUALLY EDIT</p>	<p>UNLESS OTHERWISE SPECIFIED</p>
	<p>WGT. R F</p>	<p>ANGULAR TOLERANCE ± 0°30'</p>
<p>PREP ALL SHARP CORNERS AND REMOVE BURRS UNLESS OTHERWISE SPECIFIED. STAMP OR ETCH PART IDENTIFICATION IN AREA MARKED</p>	<p>FINISH NAME</p>	<p>1-PLACE DEC.±.060 2-PLACE DEC.±.030 3-PLACE DEC.±.010</p>
<p>SIMILAR TO MK. -</p>	<p>MATL.</p>	<p>NAME GROUTING AND ANCHOR, COMPRESSED NATURAL GAS SYSTEM, 400HP, HI FLOW</p>
<p>FILE NO. MSH_06-03-14</p>	<p>MATL.</p>	<p>SCALE SHEET PART NO 1:6 2/3 MG115-11016</p>
<p>DATE JAM_06-03-14</p>	<p>ISSUE A</p>	<p>GE OIL & GAS NA DT</p>



VIEW D-D
GROUTING FORM PERIMETER DETAILS



PROPRIETARY
24 JUNE 2014

Guild Associates, Inc.
5750 SHIER RINGS ROAD
DUBLIN, OHIO 43016

 GE Oil & Gas	DO NOT SCALE DIMENSIONS UNLESS OTHERWISE SPECIFIED	UNLESS OTHERWISE SPECIFIED
	TOLERANCE 1-PLACE DEC: ±.060 2-PLACE DEC: ±.030 3-PLACE DEC: ±.010	ANGULAR TOLERANCE ± 0°30'
PREPARE ALL SHARP CORNERS AND REMOVE BURRS UNLESS OTHERWISE SPECIFIED. STAMP OR ETCH PART IDENTIFICATION IN AREA MARKED	NAME MK.-	MATERIAL MATL.
GE Oil & Gas Operations, LLC, 2004 Confidentiality Notice This drawing contains confidential information of GE Oil & Gas Operations LLC (GE O&G). It may not be shared with third parties or used, copied or distributed in any manner without the express written permission of GE O&G.	SIMILAR TO MK.-	SCALE SHEET PART NO 1:10 3/3 MG115-11016
FILE NO. MSH_06-03-14	DATE JAM_06-03-14	ISSUE A