

- NOTES: UNLESS OTHERWISE SPECIFIED
1. MAIN AND CONTROL POWER DISCONNECT HANDLES SHALL BE CAPABLE OF BEING PADLOCKED IN THE OPEN POSITION.
 2. CIRCUIT BREAKER CB-910 & FUSES FU-920/921 HAVE MAXIMUM INTERRUPT RATING OF 65K RMS SYMMETRICAL AMPS AT 480V.
 3. * INDICATES EQUIPMENT NOT SUPPLIED BY GUILD.
 4. FLAs SHOWN ARE MOTOR NAMEPLATE.
- ⚠️ SOFT STARTER MUST HANDLE MINIMUM 10 STARTS PER HOUR.
- ⚠️ TWO MOTORS MAY BE USED WITH SLIGHTLY DIFFERENT FLA'S.

PT POTENTIAL TRANSFORMER RATING AS SHOWN	MMCCB 50 MINIATURE MOLDED CASE CIRCUIT BREAKER UL489 TRIP AMPS	DISCONNECT W/LOCKABLE HANDLE	100A VACUUM CONTACTOR RATED 100A	GT GROUND CURRENT TRANSFORMER
MCP 100 MOTOR CIRCUIT PROTECTOR FRAME SIZE TRIP AMPS	RVSS REDUCED VOLTAGE SOFT-STARTER	100A R FUSE AMP RATING CLASS	MOTOR CONTACTOR	CT CURRENT TRANSFORMER
125 100 THERM/MAGNET BREAKER FRAME SIZE TRIP AMPS	VFD VARIABLE FREQUENCY DRIVE	CPT 4200V/120V CONTROL POWER TRANSFORMER	OVERLOAD RELAY	DRAWOUT CONTACTS
MCCB 800 MOLDED CASE BREAKER TRIP AMPS	SCR SILICON CONTROLLED RECTIFIER	ENET ETHERNET COMMUNICATIONS	HOA HAND/OFF/AUTO SWITCH	LA LIGHTNING ARRESTOR
			SHEET 2 OFF PAGE CONNECTION	ENCLOSURE WALL

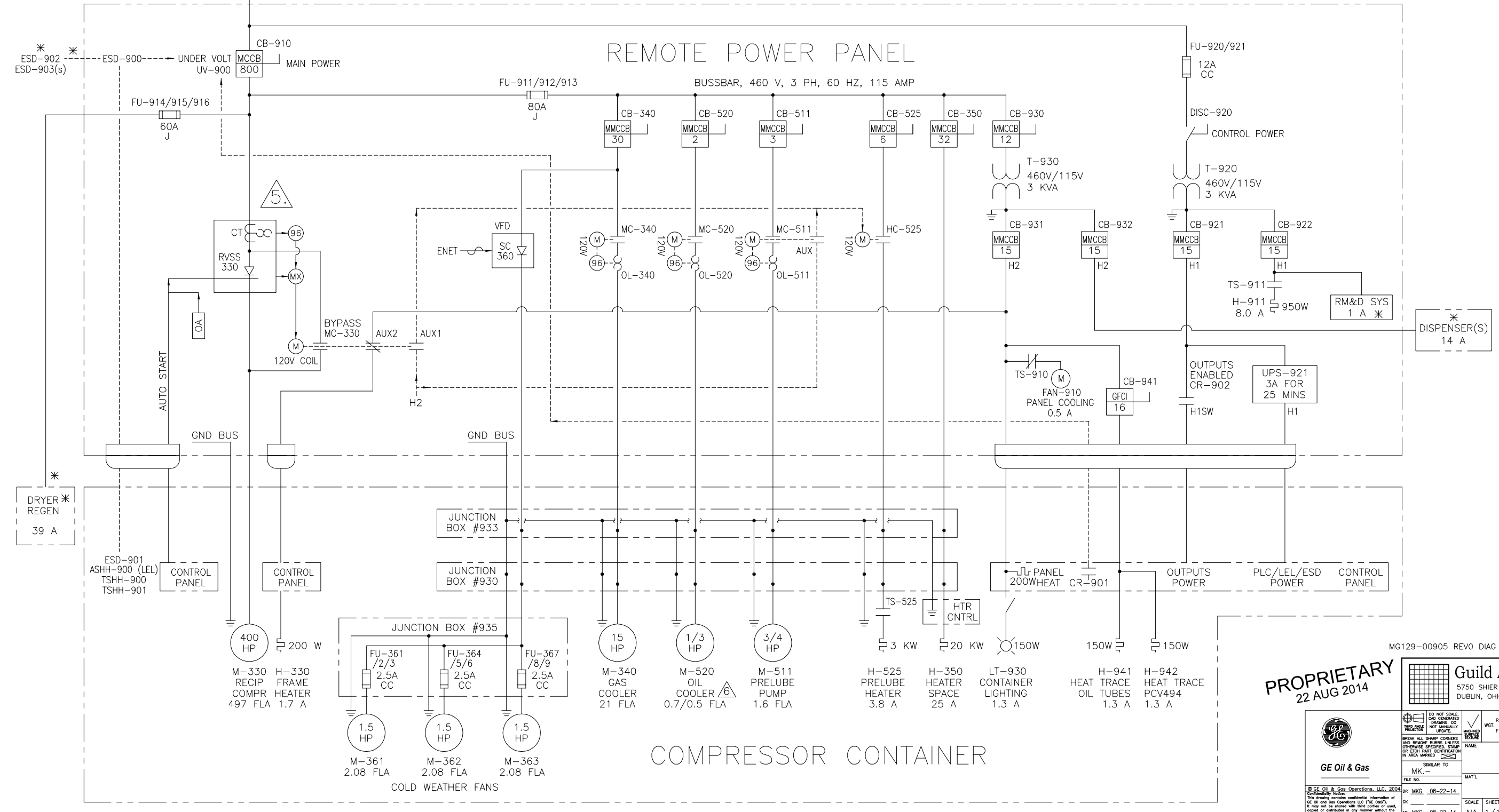
POWER

* 460VAC 3PH 800A SERVICE
MAX AVAILABLE CURRENT 65K AMPS

SOLID GROUND WYE ONLY

REMOTE POWER PANEL

BUSSBAR, 460 V, 3 PH, 60 HZ, 115 AMP



COMPRESSOR CONTAINER

MG129-00905 REV0 DIAG ONE LINE 082214.DWG

PROPRIETARY
22 AUG 2014

Guild Associates, Inc.
5750 SHIER RINGS ROAD
DUBLIN, OHIO 43016

DO NOT SCALE DIMENSIONS UNLESS OTHERWISE SPECIFIED	WGT. R F	ANGULAR TOLERANCE ±	UNLESS OTHERWISE SPECIFIED
1-PLACE DEC: ±.060 2-PLACE DEC: ±.030 3-PLACE DEC: ±.010	DIAGRAM, ONE LINE		
NAME MK.-	MATL	SCALE NA	SHEET PART NO 1/1
FILE NO. MKG_08-22-14	DATE 08-22-14	SCALE NA	ISSUE 0

GE Oil & Gas

© GE Oil & Gas Operations, LLC, 2004
This drawing contains confidential information of GE Oil & Gas Operations LLC. THE OWNER, it may not be shared with third parties or used, copied or distributed in any manner without the express written permission of GE Oil & Gas.

GE OIL & GAS NA DT-xx