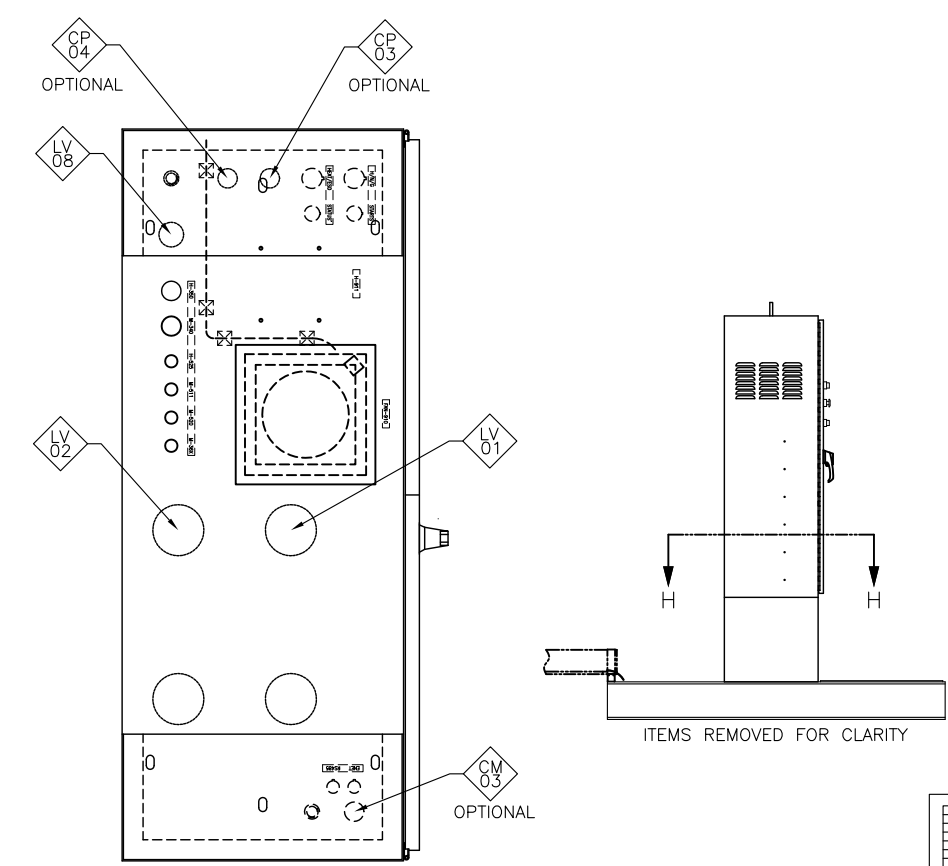
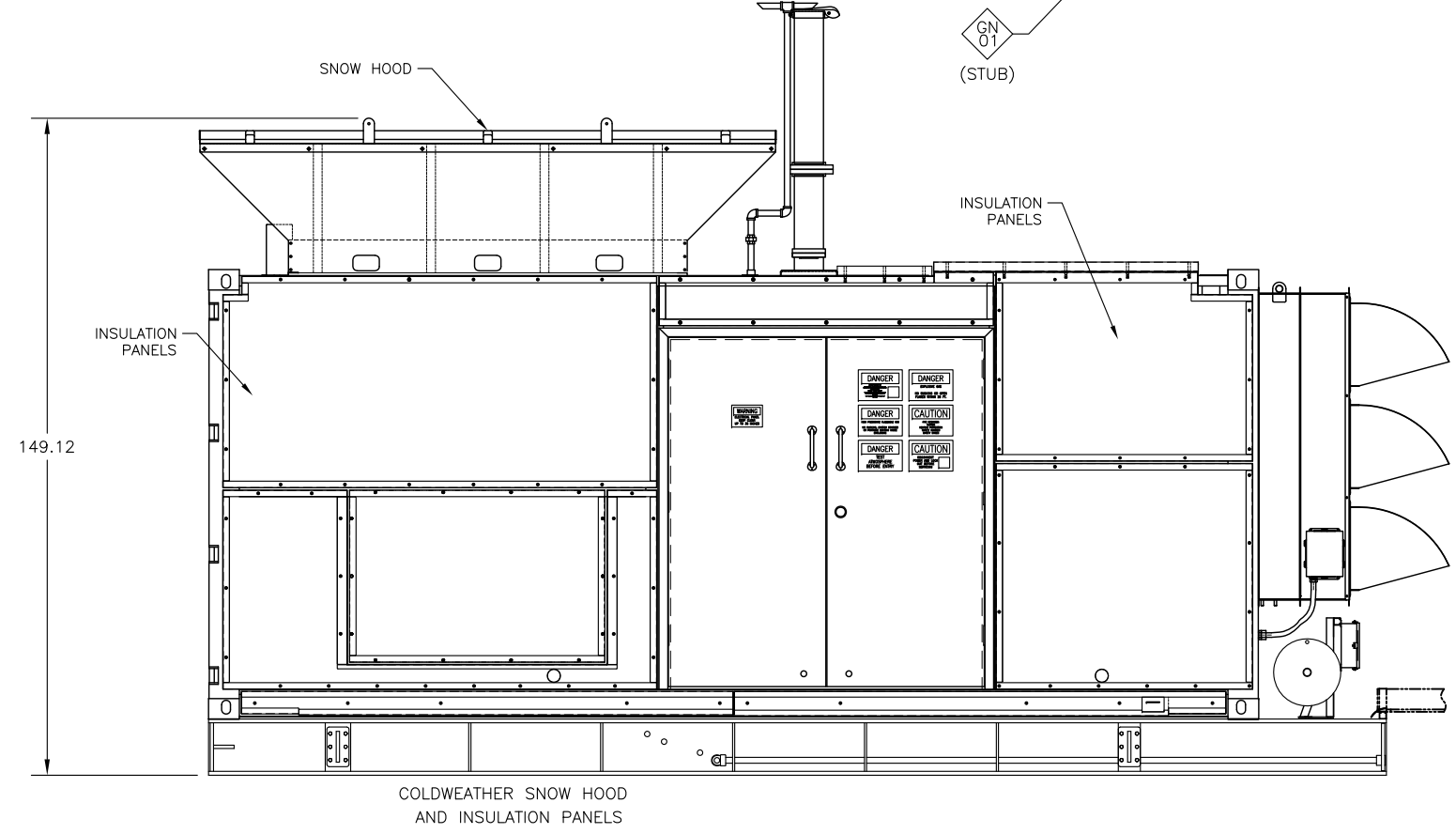
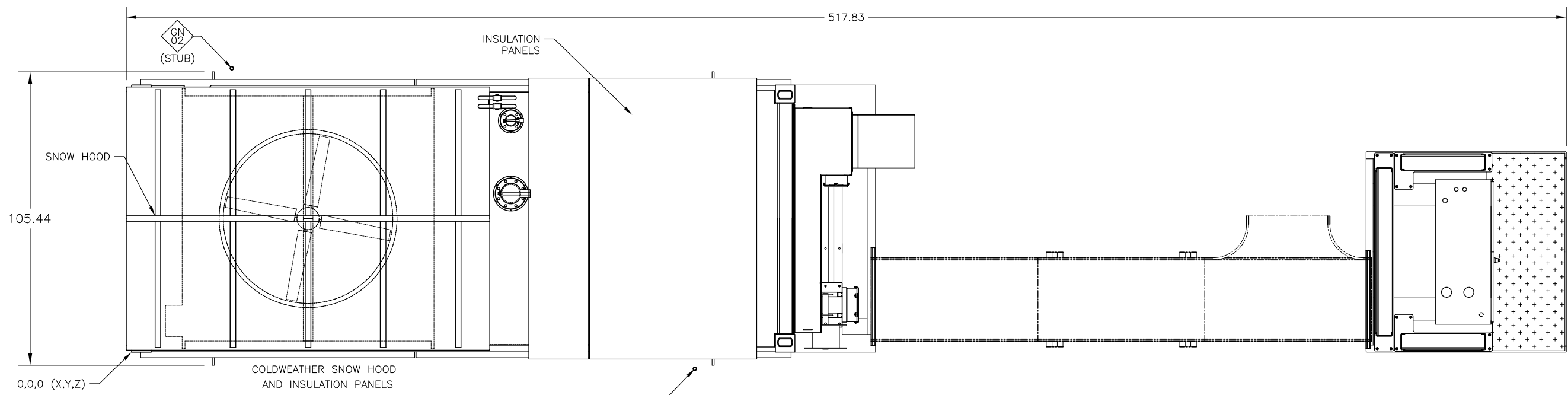


NOTES: UNLESS OTHERWISE SPECIFIED
 1. PROCESS PIPE CONNECTION TOLERANCES ±1/4, ALL OTHER DIMENSIONAL TOLERANCES ±1/8.



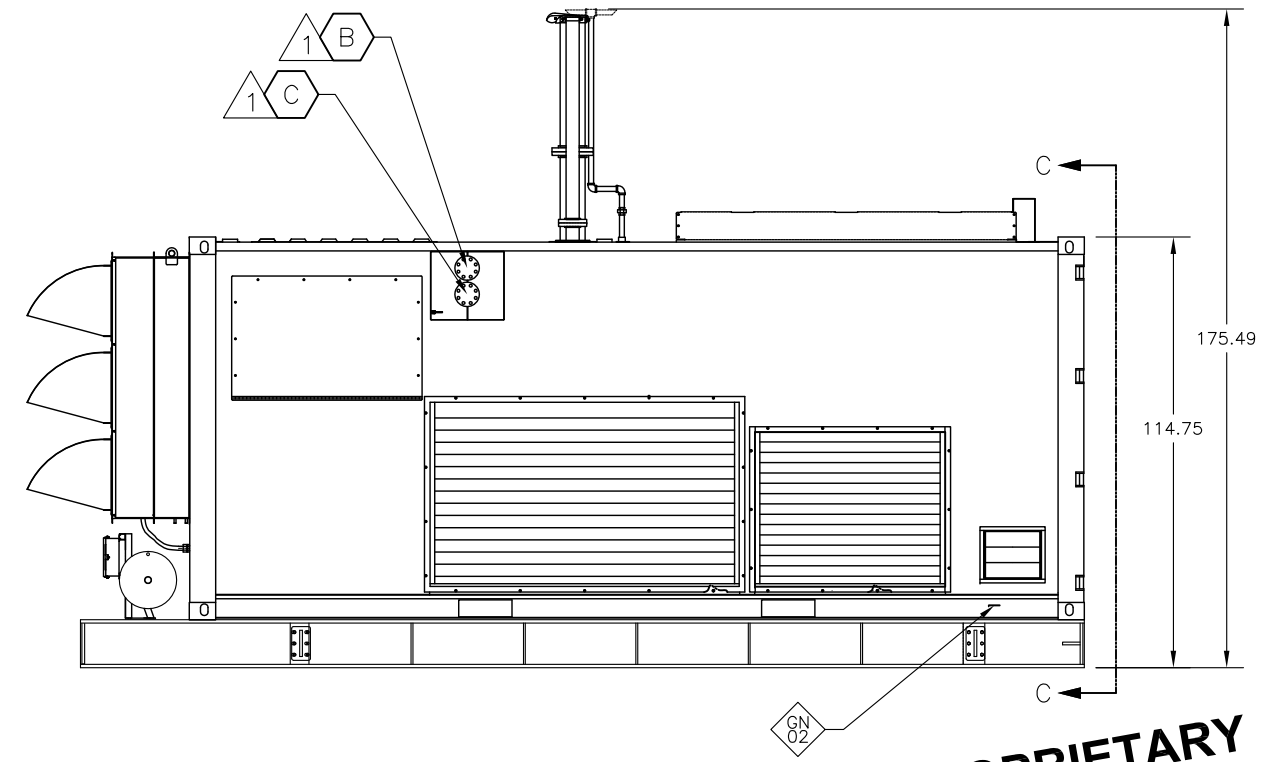
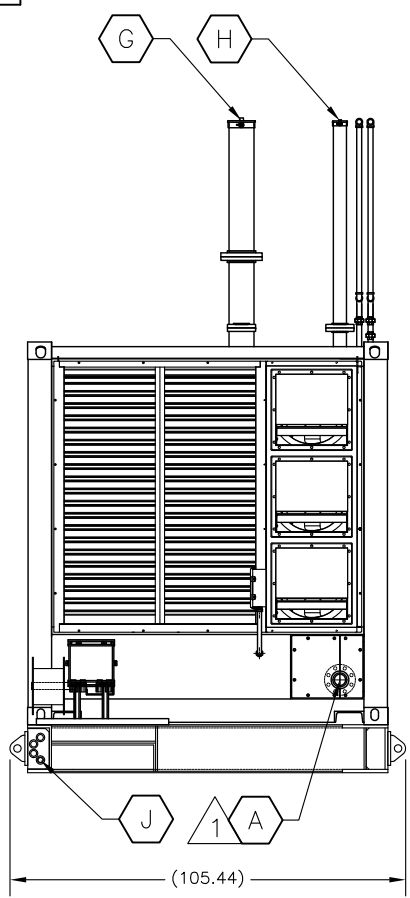
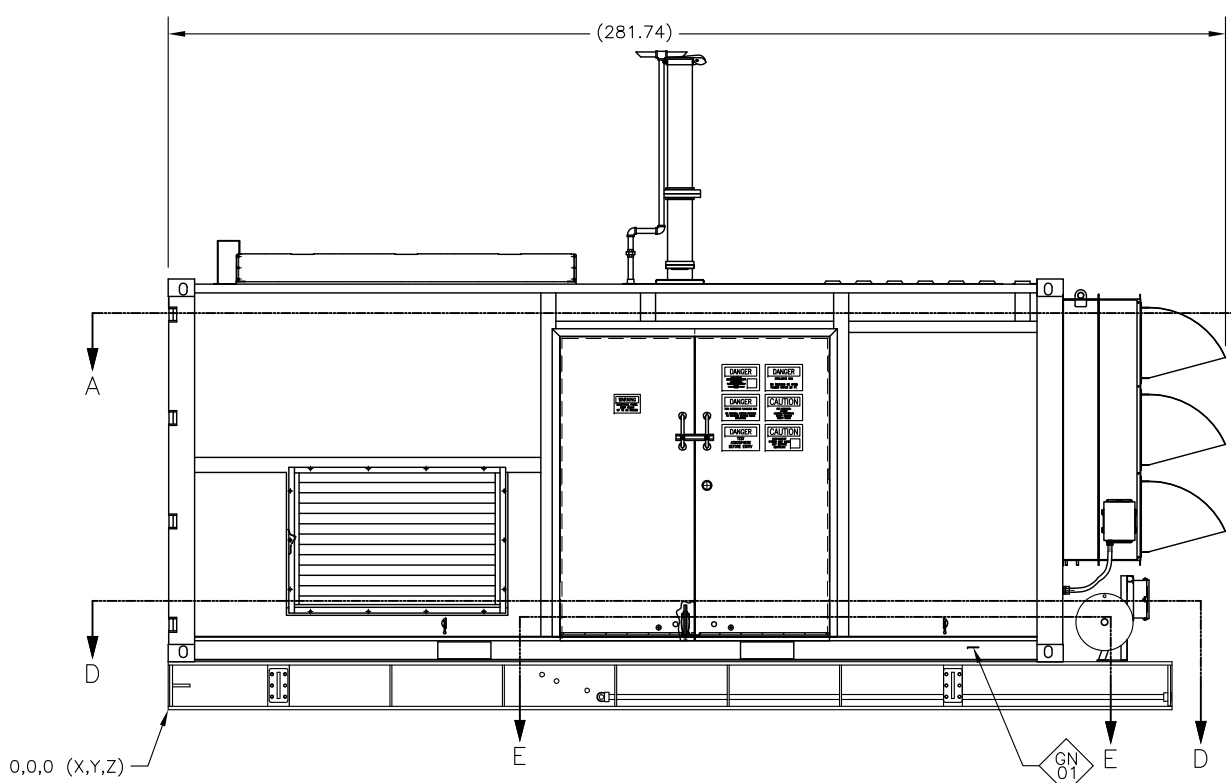
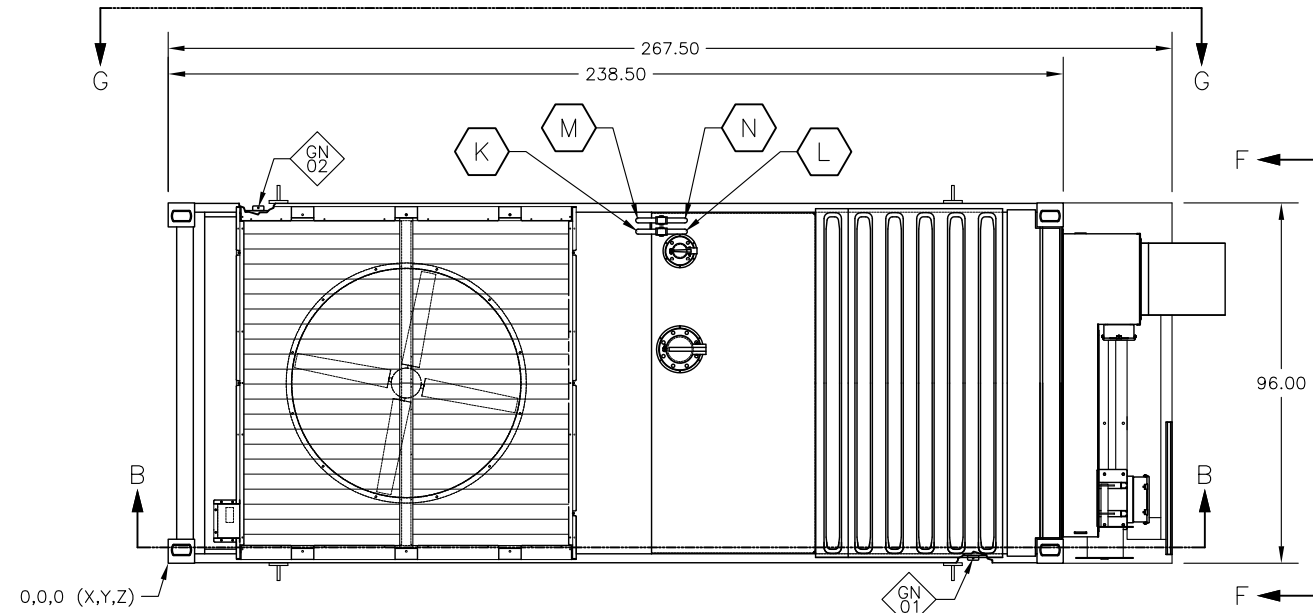
VIEW H-H
SCALE 1:6

FIELD ELECTRICAL CONNECTIONS			
CONNECTION	CONNECTION SIZE	CONNECTION NAME	X, Y, Z LOCATION
CP03	ø1" CONDUIT	DRYER REGEN CONTROL	479.33, 58.50, 26.00
CP04	ø1" CONDUIT	EMERGENCY SHUTDOWN	476.33, 58.50, 26.00
LV01	ø3" CONDUIT	SERVICE #1	480.83, 21.50, 26.00
LV02	ø3" CONDUIT	SERVICE #2	472.83, 21.50, 26.00
LV08	ø1-1/4" CONDUIT	RPP TO DRYER REGEN	472.83, 54.50, 26.00
CM03	ø1" CONDUIT	RPP TO DISP-801/802	485.33, 13.50, 26.00
GN01(STUB)	ø1 CONDUIT	CONTAINER GROUND 1	202.50, -6.00, 0.00
GN02(STUB)	ø1 CONDUIT	CONTAINER GROUND 2	36.00, 102.00, 0.00

Guild Associates, Inc.
 5750 SHIER RINGS ROAD
 DUBLIN, OHIO 43016

PROPRIETARY
 03 SEP 2014

<p>GE Oil & Gas</p>	DO NOT SCALE DIMENSIONS UNLESS OTHERWISE SPECIFIED	UNLESS OTHERWISE SPECIFIED 1-PLACE DEC.±.060 2-PLACE DEC.±.030 3-PLACE DEC.±.010
	WGT. R F	ANGULAR TOLERANCE ± 0°30'
GENERAL ARRANGEMENT, CNG, 400 HP CWTF, BASE SKID		
GE Oil & Gas Operations, LLC, 2004 Confidentiality Notice: This drawing contains confidential information of GE Oil & Gas Operations LLC ("GE O&G"). It may not be copied, reproduced, or used, copied or distributed in any manner without the express written permission of GE O&G.	FILE NO. MK-	SCALE SHEET PART NO 1:20 1/8 MG129-21011
OR MN_09/03/14 PK PW_09/03/14	NAME MATL.	ISSUE 0



PROPRIETARY
03 SEP 2014

CNG400
MAXIMUM GROSS WEIGHT: 52,400 LBS

FIELD PIPE CONNECTIONS				
CONNECTION	LINE #	PIPE SIZE	CONNECTION NAME	X, Y, Z LOCATION
A	NG-310	3" 300# FLANGE	GAS SUPPLY	228.53, 83.22, 24.72
B	NG-F002	2" 300# FLANGE	CUSTOMER-SUPPLIED REGENERATION GAS	164.47, 95.72, 106.45
C	NG-F003	2" 300# FLANGE	REGENERATION GAS OUTLET	164.47, 95.72, 99.47
G	NG-645	6" PIPE	VENT STACK 1	136.35, 56.99, 160.61
H	NG-647	3" PIPE	VENT STACK 2	136.35, 83.22, 160.61
J	NA	1" PIPE	FV378 (SLOW F.) OUTLET	267.25, 3.41, 3.38
K	NA	1" PIPE	VENT STACK 3A	125.23, 88.34, 160.67
L	NA	1" PIPE	VENT STACK 3B	137.67, 88.34, 160.67
M	NA	1" PIPE	VENT STACK 4A	125.23, 91.34, 160.67
N	NA	1" PIPE	VENT STACK 4B	137.67, 91.34, 160.67

FIELD ELECTRICAL CONNECTIONS			
CONNECTION	CONNECTION SIZE	CONNECTION NAME	X, Y, Z LOCATION
GN01	ø3/8 HOLE	CONTAINER GROUND TAB 1	214.50, 1.29, 16.63
GN02	ø3/8 HOLE	CONTAINER GROUND TAB 2	24.00, 94.70, 16.63

Guild Associates, Inc.
5750 SHIER RINGS ROAD
DUBLIN, OHIO 43016

GE Oil & Gas

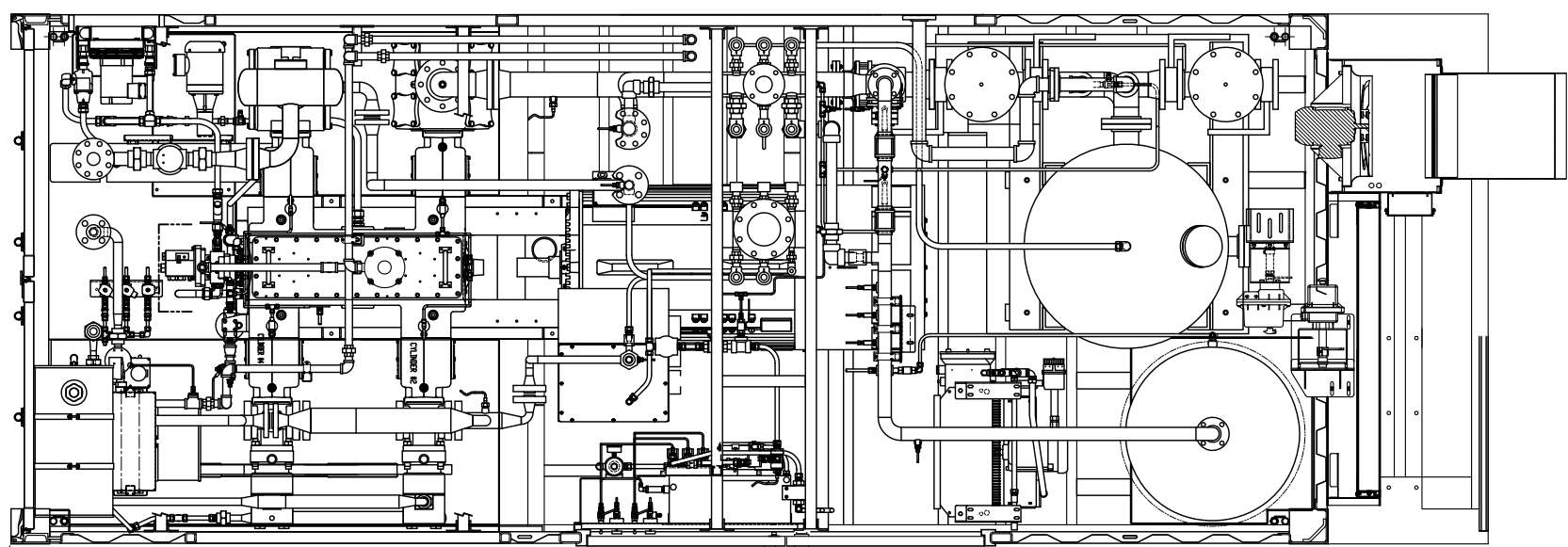
DO NOT SCALE DIMENSIONS GENERATED BY THIS ANGLE NOT MANUALLY PREPARED. BREAK ALL SHARP CORNERS AND REMOVE BURRS UNLESS OTHERWISE SPECIFIED. STAMP OR ETCH PART IDENTIFICATION IN AREA MARKED [Symbol].

UNLESS OTHERWISE SPECIFIED:
WGT. R
F
ANGULAR TOLERANCE ± 0°30'
1-PLACE DEC.±.060
2-PLACE DEC.±.030
3-PLACE DEC.±.010

GENERAL ARRANGEMENT, CNG, 400 HP CWTF, BASE SKID

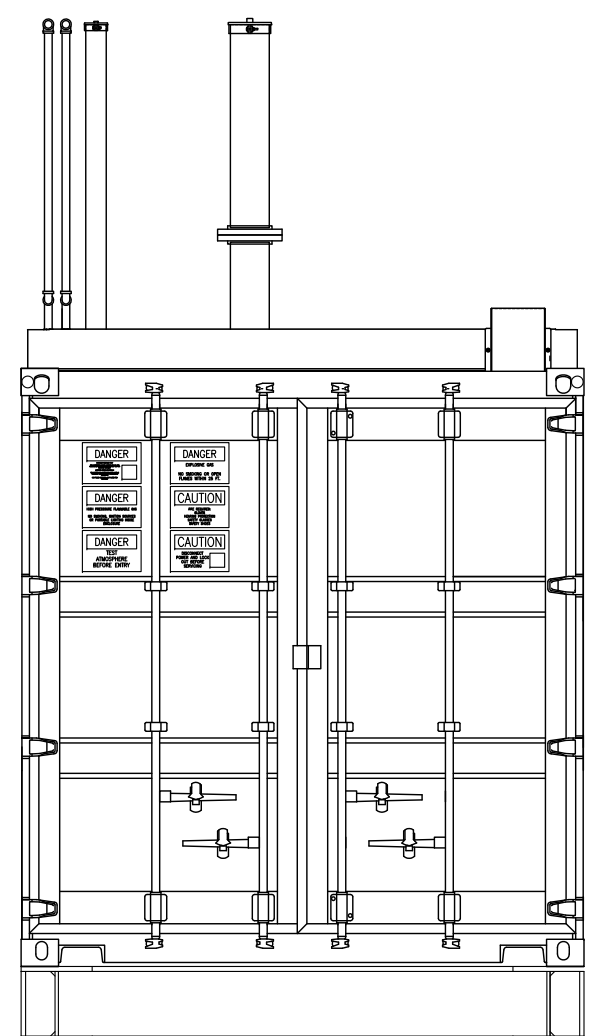
FILE NO. MK-
SIMILAR TO
DATE: 09/03/14
SCALE: 1:25
SHEET: 2/8
PART NO: MG129-21011
ISSUE: 0

MAJOR EQUIPMENT WEIGHTS		
TAG	DESCRIPTION	WEIGHT (LB)
M-330	MOTOR, 400HP	5400
C-330	COMPRESSOR, 4 STAGE	2350
C-330 (ST 1)	COMPRESSOR CYLINDER 1	510
C-330 (ST 2)	COMPRESSOR CYLINDER 2	310
C-330 (ST 3&4)	COMPRESSOR CYLINDERS 3&4	320
V-391	BLOWDOWN VESSEL #1	472
HX-340	PROCESS GAS COOLER	2833
M-511	OIL PRE-LUBE PUMP & MOTOR	45
PCV-394	2" KIMRAY VALVE ASSEMBLY	46
PCV-319	3" KIMRAY VALVE ASSEMBLY	106
HX-520/M-520	OIL COOLER & MOTOR	38
H-525	OIL HEATER	45
DRYER	INLET DRYER (CHARGED)	4600
H-350	SPACE HEATER	180
M-361	MOTOR, 1.5HP	53
M-362	MOTOR, 1.5HP	53
M-363	MOTOR, 1.5HP	53
N/A	SNOW HOOD	1000
N/A	BASE SKID	18000

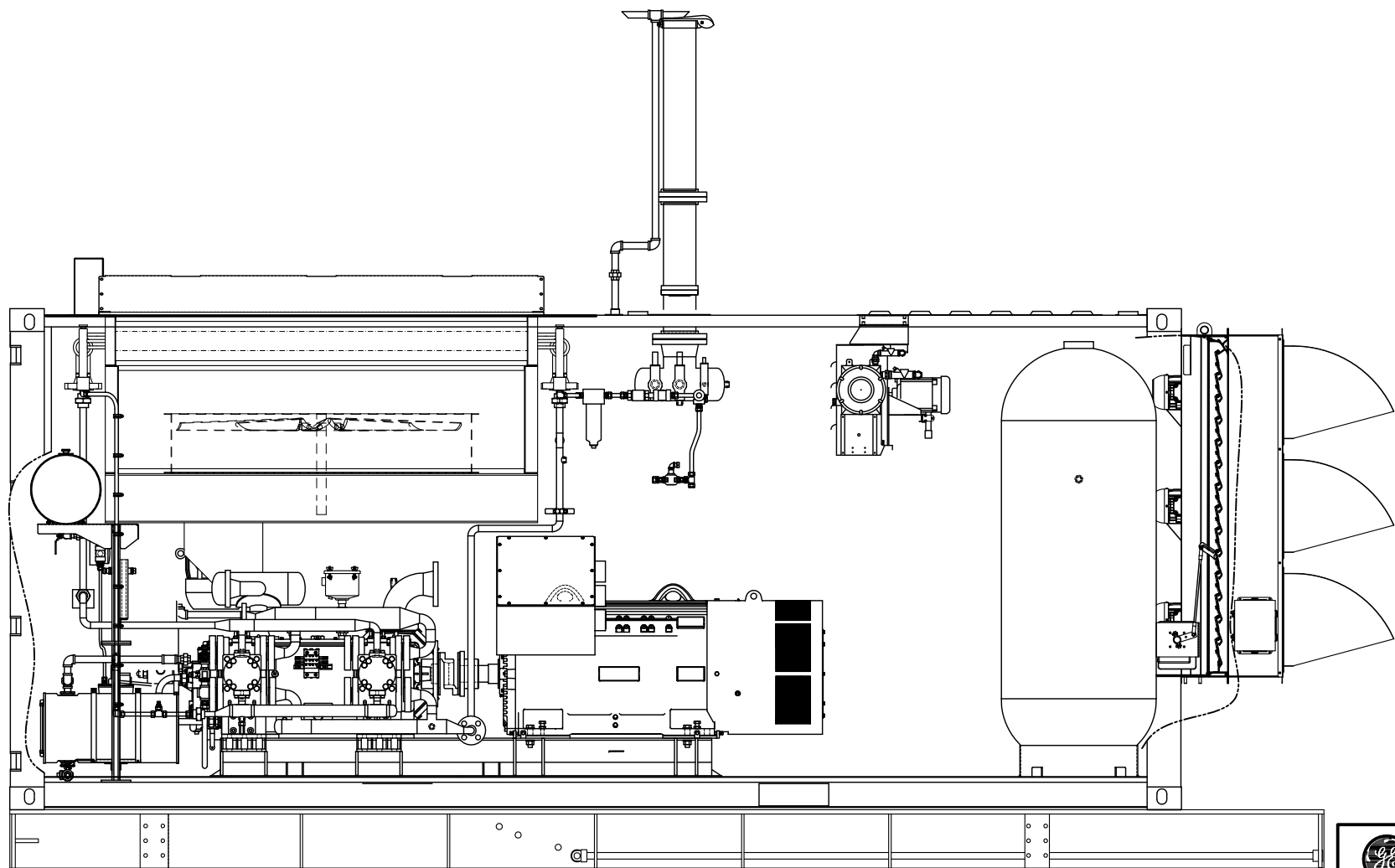


0,0,0 (X,Y,Z)

VIEW A-A
HEAT EXCHANGER REMOVED FOR CLARITY
REMOTE POWER PANEL NOT SHOWN



VIEW C-C

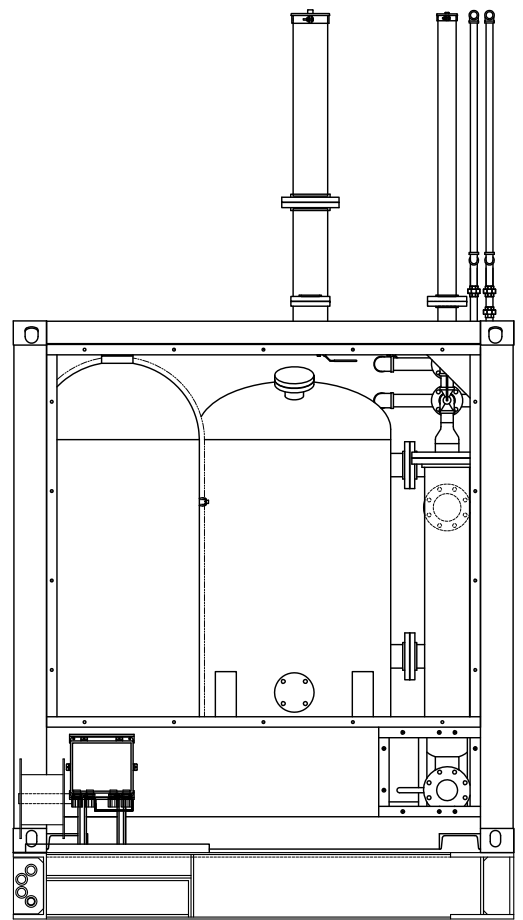


VIEW B-B
ELECTRICAL PANELS REMOVED FOR CLARITY

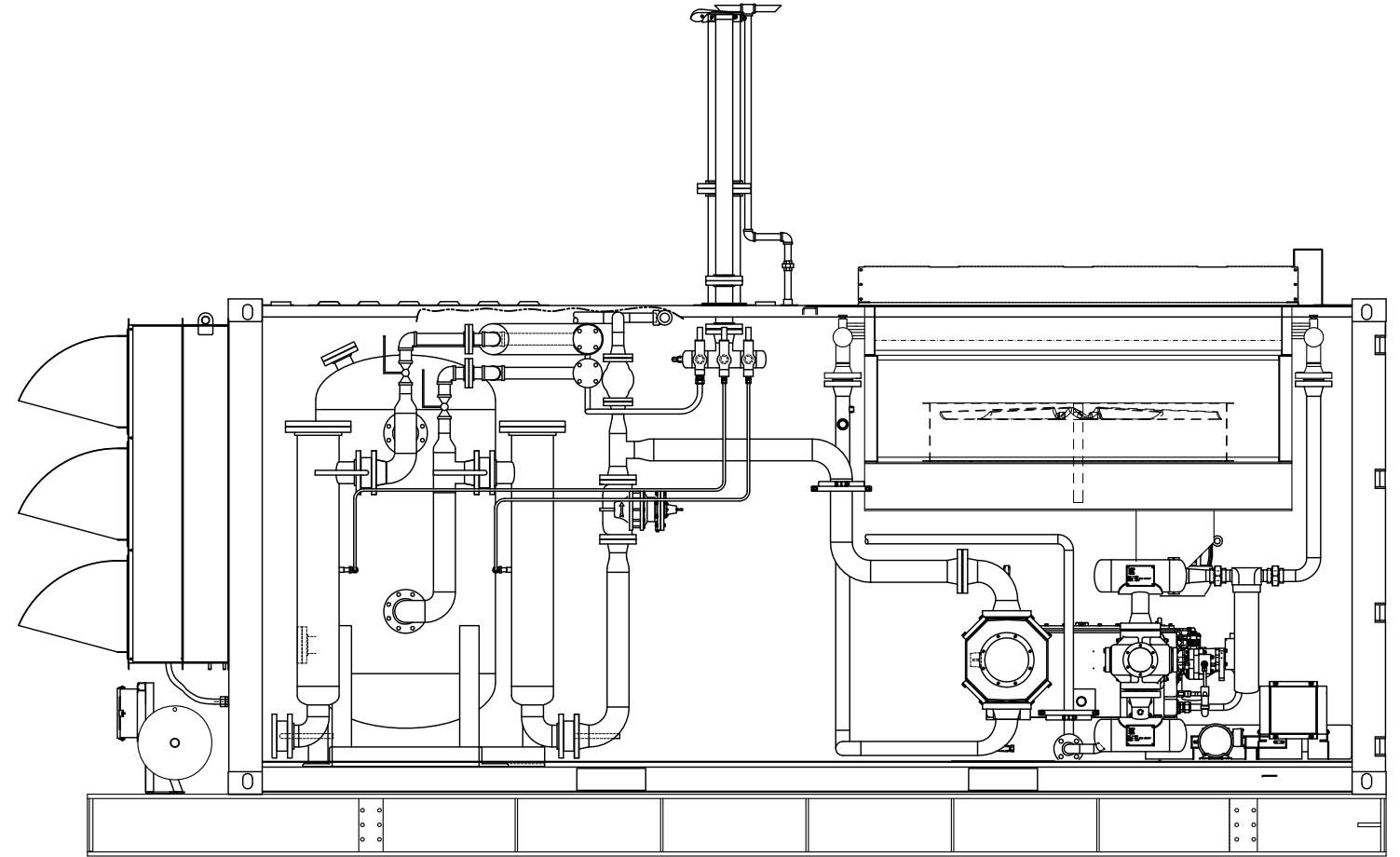
PROPRIETARY
03 SEP 2014

Guild Associates, Inc.
5750 SHIER RINGS ROAD
DUBLIN, OHIO 43016

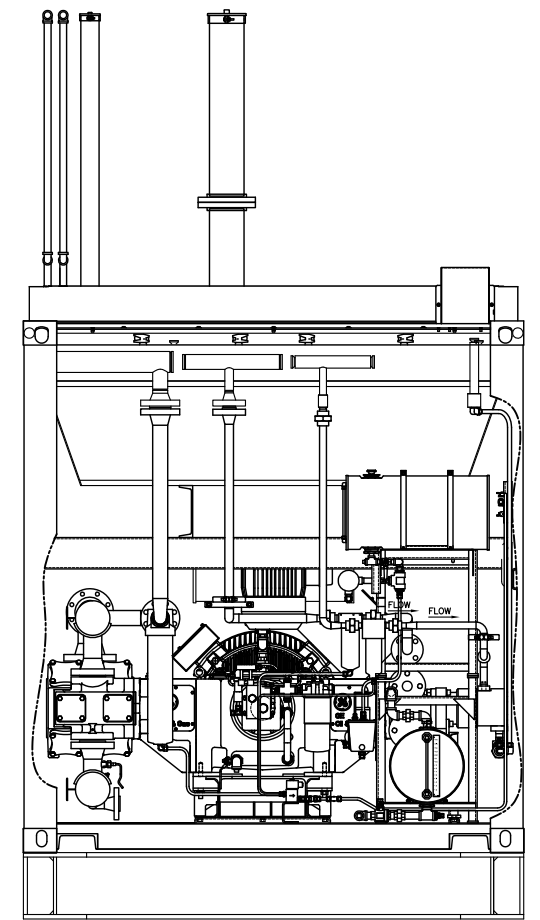
<p>GE Oil & Gas</p>	<p>DO NOT SCALE DIMENSIONS DRAWING OR TYPED ANGLE NOT MANUALLY PREPARED</p>	<p>UNLESS OTHERWISE SPECIFIED</p>
	<p>WGT. R F</p> <p>ANGULAR TOLERANCE ± 0°30'</p> <p>1-PLACE DEC.±.060 2-PLACE DEC.±.030 3-PLACE DEC.±.010</p>	<p>GENERAL ARRANGEMENT, CNG, 400 HP CWTIF, BASE SKID</p>
<p>FILE NO. MK.-</p>	<p>DATE: 09/03/14</p>	<p>SCALE: 1:16</p>
<p>MG129-21011</p>	<p>SHEET: 3/8</p>	<p>PART NO: MG129-21011</p>
<p>0</p>	<p>0</p>	<p>0</p>



VIEW F-F
LOUVERS REMOVED FOR CLARITY



VIEW G-G
PANELS REMOVED FOR CLARITY



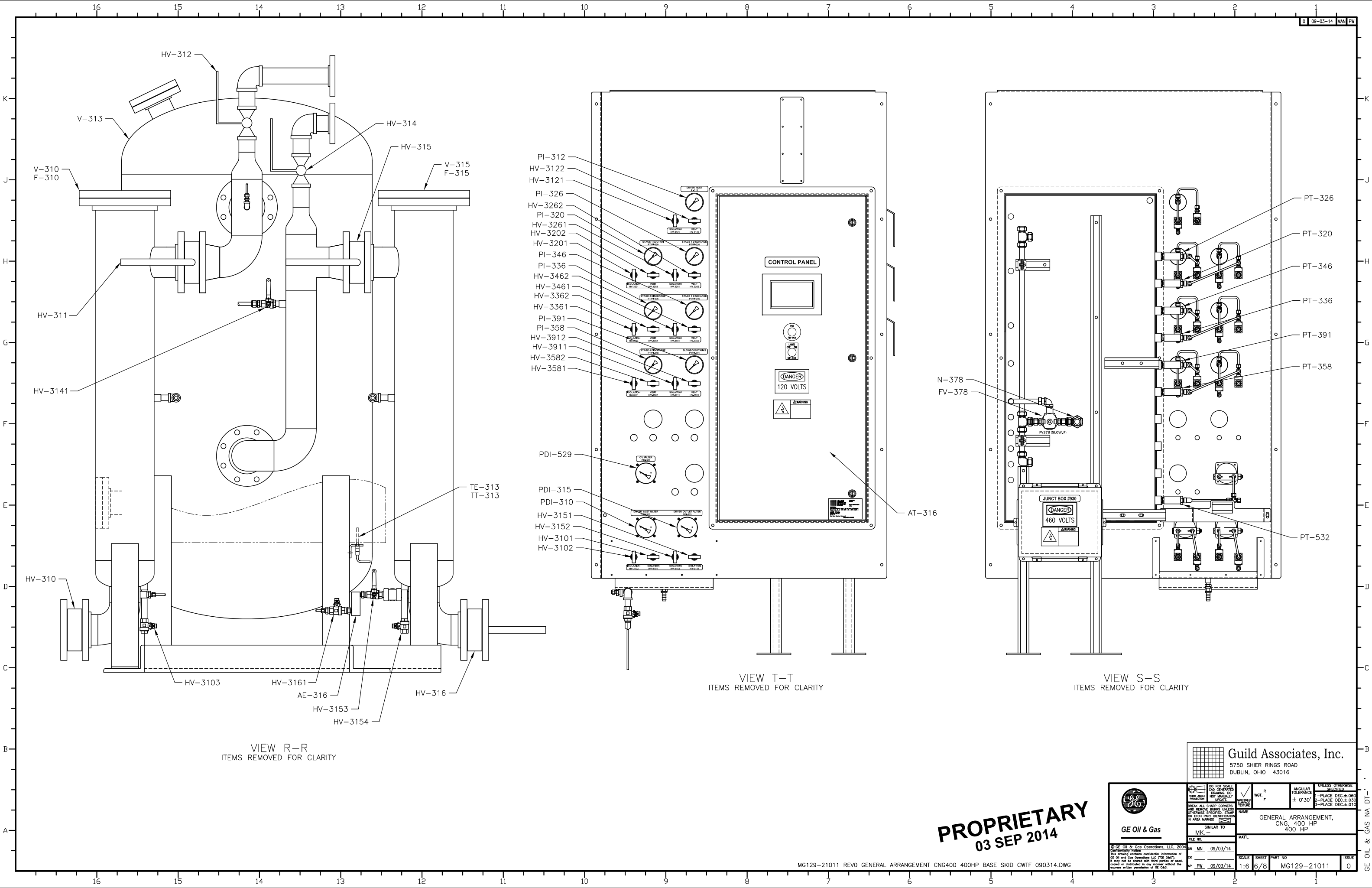
VIEW C-C
ITEMS REMOVED FOR CLARITY

PROPRIETARY
03 SEP 2014

Guild Associates, Inc.
5750 SHIER RINGS ROAD
DUBLIN, OHIO 43016



DO NOT SCALE DIMENSIONS ORIGINALLY DRAWN BY MANUALLY REVISED	WGT. R F	ANGULAR TOLERANCE ± 0°30'	UNLESS OTHERWISE SPECIFIED 1-PLACE DEC.±.060 2-PLACE DEC.±.030 3-PLACE DEC.±.010
BREAK ALL SHARP CORNERS AND REMOVE BURRS UNLESS SPECIFICALLY STAMPED OR ETCH PART IDENTIFICATION IS AREA MARKED	FINISHED SURFACE TEXTURE	NAME	GENERAL ARRANGEMENT, CNG, 400 HP CWTF, BASE SKID
SIMILAR TO MK. -	MATL.	SCALE SHEET PART NO	ISSUE
FILE NO. OR MN. 09/03/14	SCALE SHEET PART NO 1:18 4/8 MG129-21011	ISSUE 0	



- PI-312
- HV-3122
- HV-3121
- PI-326
- HV-3262
- PI-320
- HV-3261
- HV-3202
- HV-3201
- PI-346
- PI-336
- HV-3462
- HV-3461
- HV-3362
- HV-3361
- PI-391
- PI-358
- HV-3912
- HV-3911
- HV-3582
- HV-3581
- PDI-529
- PDI-315
- PDI-310
- HV-3151
- HV-3152
- HV-3101
- HV-3102

- PT-326
- PT-320
- PT-346
- PT-336
- PT-391
- PT-358
- PT-532

VIEW T-T
ITEMS REMOVED FOR CLARITY

VIEW S-S
ITEMS REMOVED FOR CLARITY

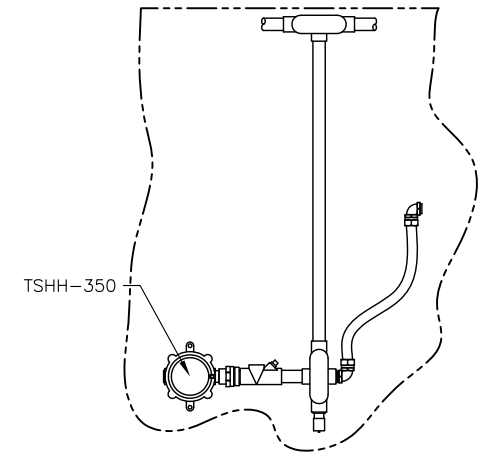
VIEW R-R
ITEMS REMOVED FOR CLARITY

PROPRIETARY
03 SEP 2014

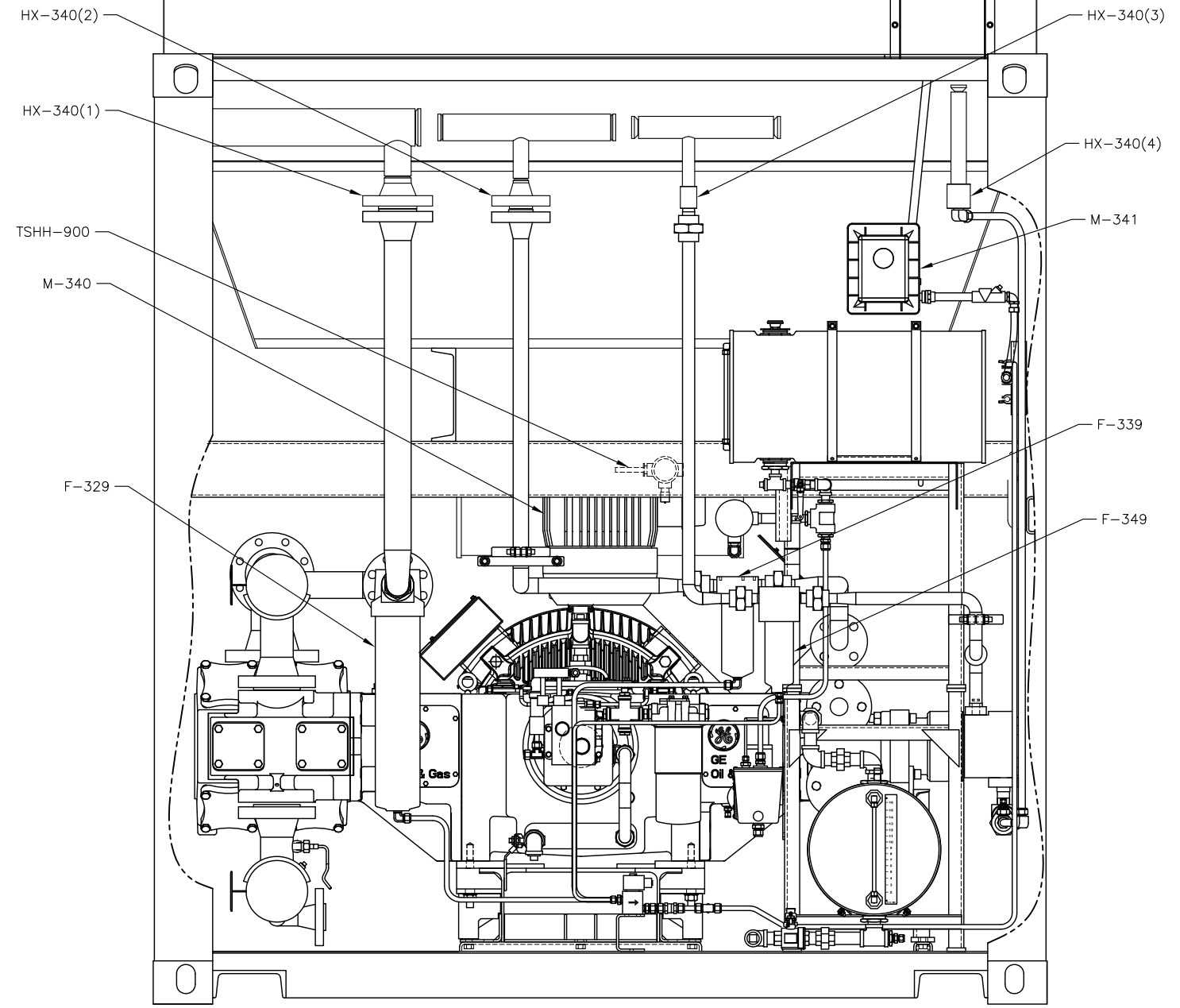
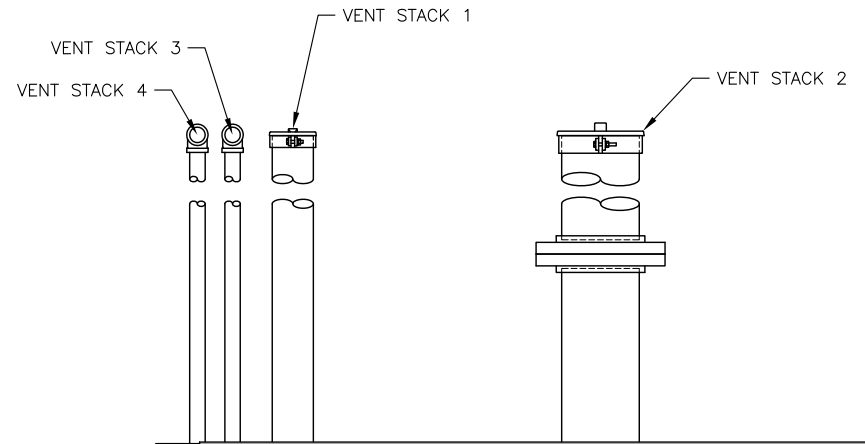
Guild Associates, Inc.
5750 SHIER RINGS ROAD
DUBLIN, OHIO 43016

<p>GE Oil & Gas</p>	<p>DO NOT SCALE DIMENSIONS OR ANGLES UNLESS OTHERWISE SPECIFIED</p>	<p>UNLESS OTHERWISE SPECIFIED</p>
	<p>1-PLACE DEC: ±.060 2-PLACE DEC: ±.030 3-PLACE DEC: ±.010</p>	<p>GENERAL ARRANGEMENT, CNG, 400 HP 400 HP</p>
<p>GE Oil & Gas Operations, LLC, 2004 Confidentiality Notice: This drawing contains confidential information of GE Oil & Gas Operations LLC (THE COMPANY). It may not be shared with third parties or used, copied or distributed in any manner without the express written permission of GE O&G.</p>	<p>DATE: 09/03/14</p>	<p>SCALE: 1:6</p>
<p>FILE NO. MK- SHEET NO. 6/8</p>	<p>DATE: 09/03/14</p>	<p>PART NO. MG129-21011</p>

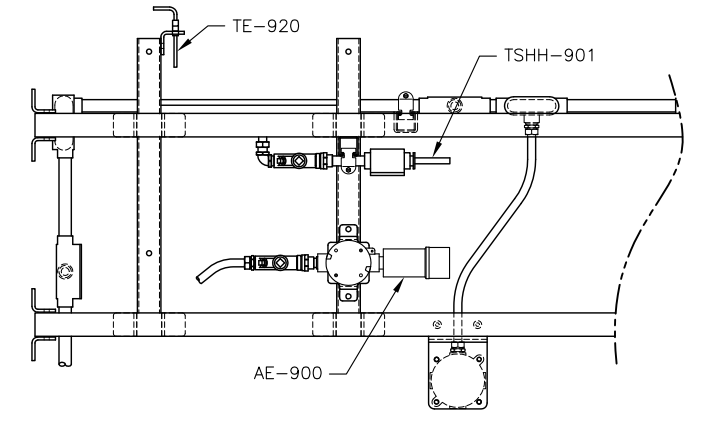
PROPRIETARY
03 SEP 2014



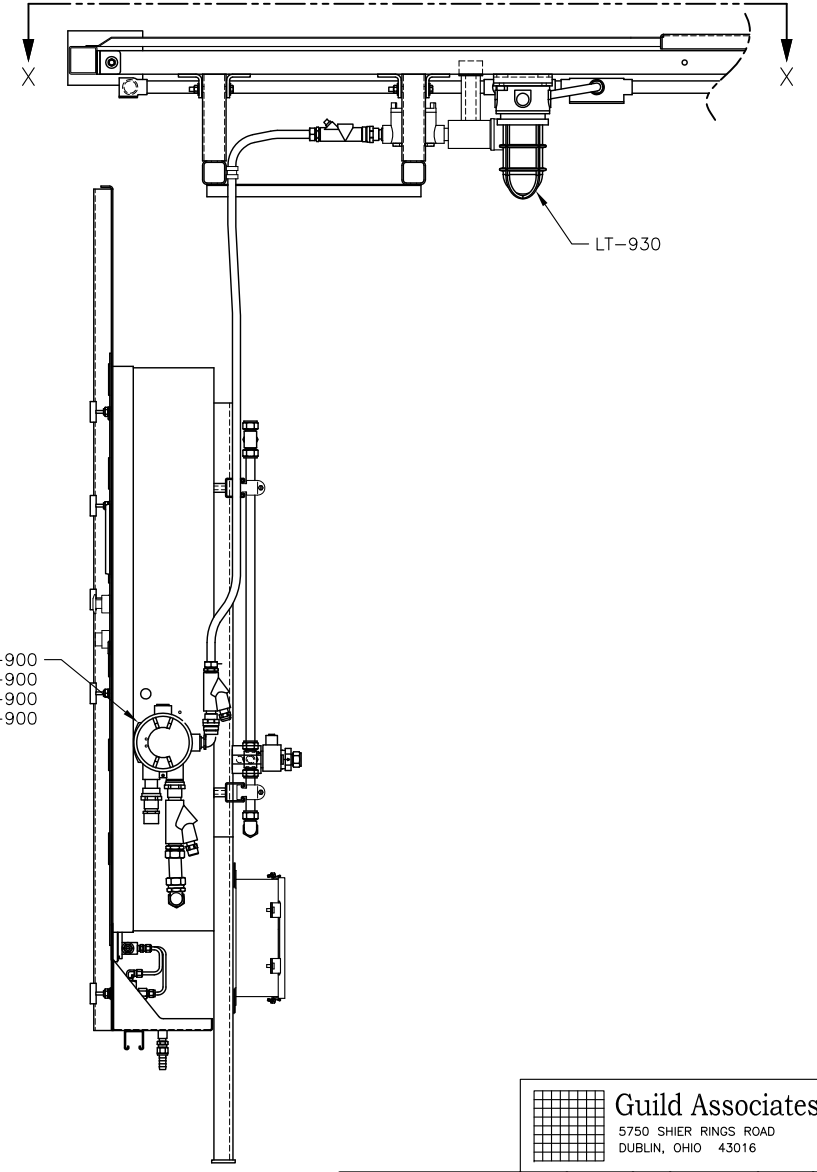
VIEW R-R
ITEMS REMOVED FOR CLARITY



VIEW C-C
ITEMS REMOVED FOR CLARITY



VIEW X-X
ITEMS REMOVED FOR CLARITY

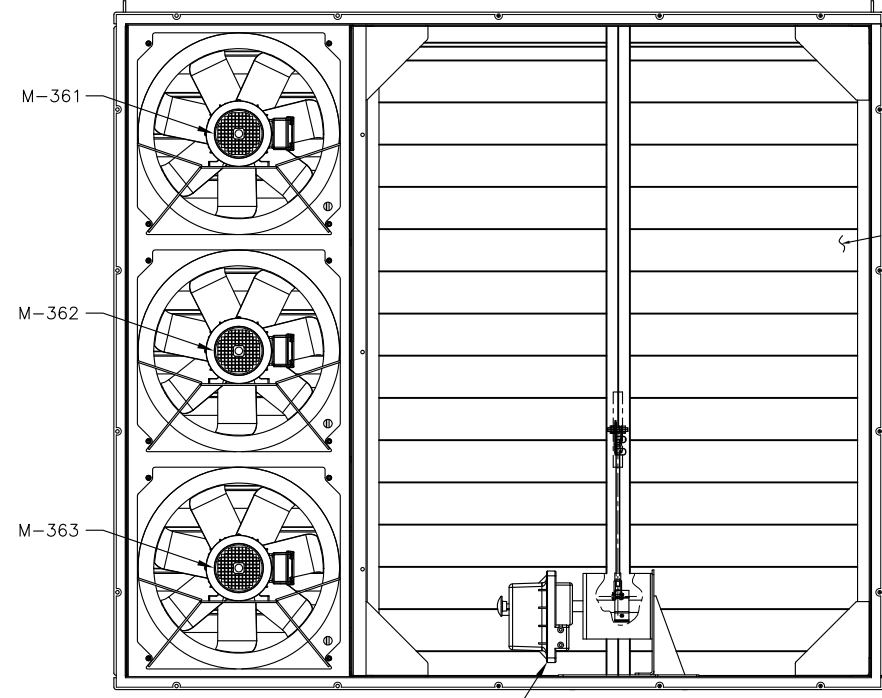


VIEW L-L
ITEMS REMOVED FOR CLARITY

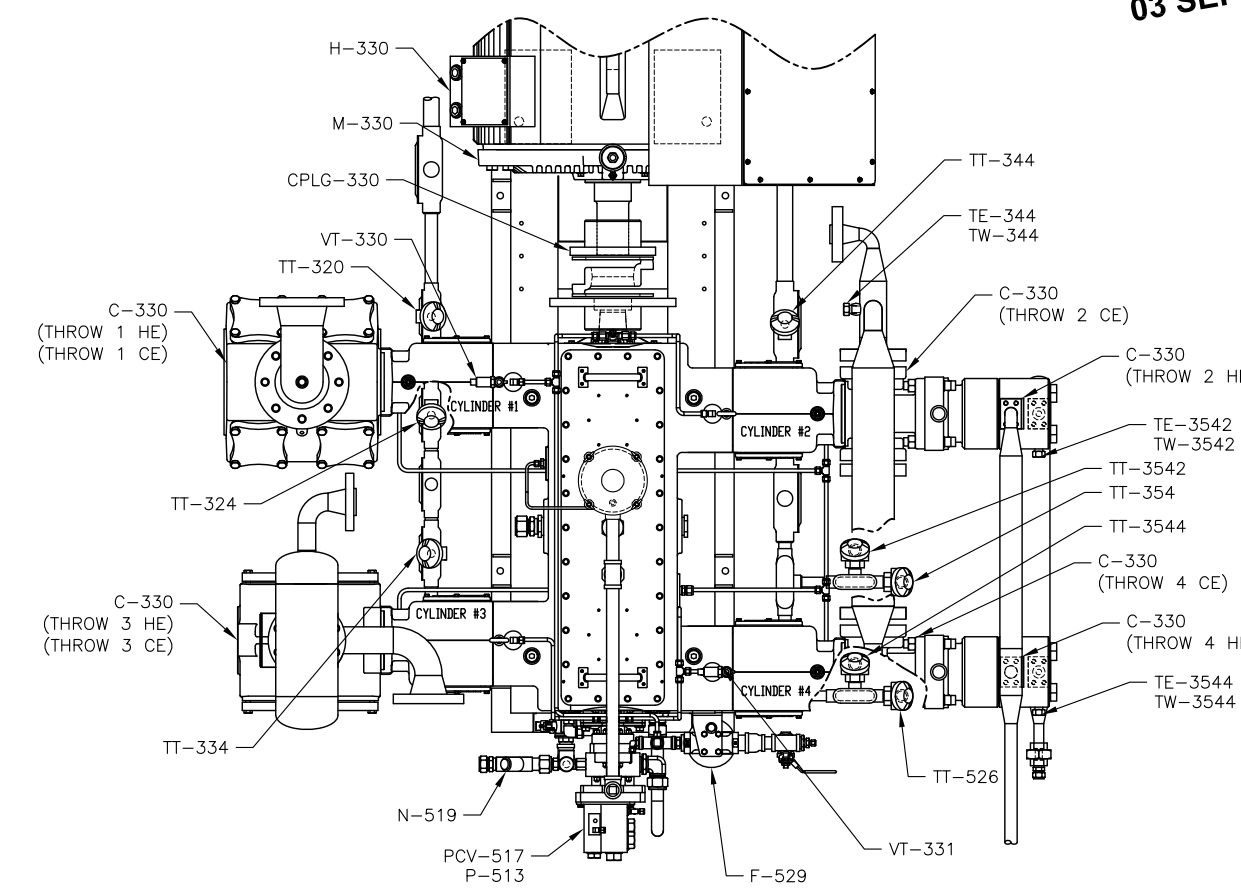
Guild Associates, Inc.
5750 SHIER RINGS ROAD
DUBLIN, OHIO 43016

	DO NOT SCALE DIMENSIONS GENERATED BY CAD SOFTWARE OR MANUALLY DRAWN DIMENSIONS SHOULD BE USED	UNLESS OTHERWISE SPECIFIED
	1-PLACE DEC:±.060 2-PLACE DEC:±.030 3-PLACE DEC:±.010	
GENERAL ARRANGEMENT, CNG, 400 HP CWTF, BASE SKID	NAME: _____	
SIMILAR TO MK. -	MATERIAL: _____	
FILE NO. _____	SCALE SHEET PART NO. _____	
DATE: 09/03/14	SCALE: 1:8	ISSUE: 0
MG129-21011		

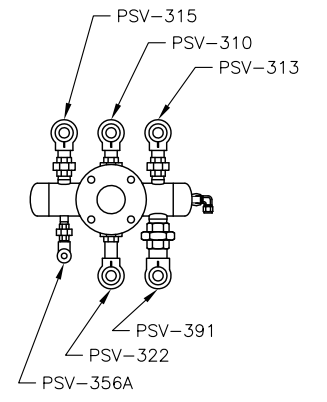
PROPRIETARY
03 SEP 2014



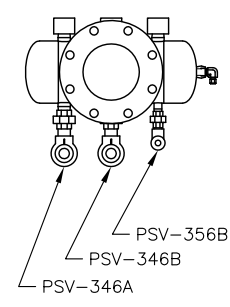
VIEW O-O
ITEMS REMOVED FOR CLARITY



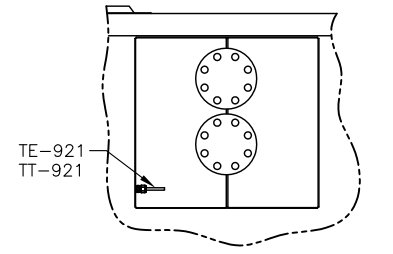
VIEW C-C
ITEMS REMOVED FOR CLARITY



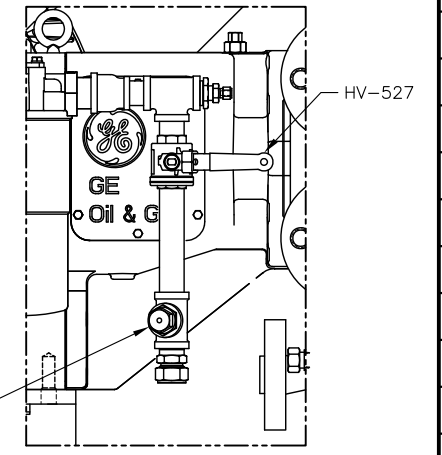
DETAIL K
ITEMS REMOVED FOR CLARITY



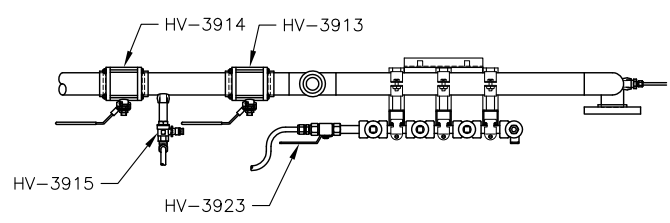
DETAIL J
ITEMS REMOVED FOR CLARITY



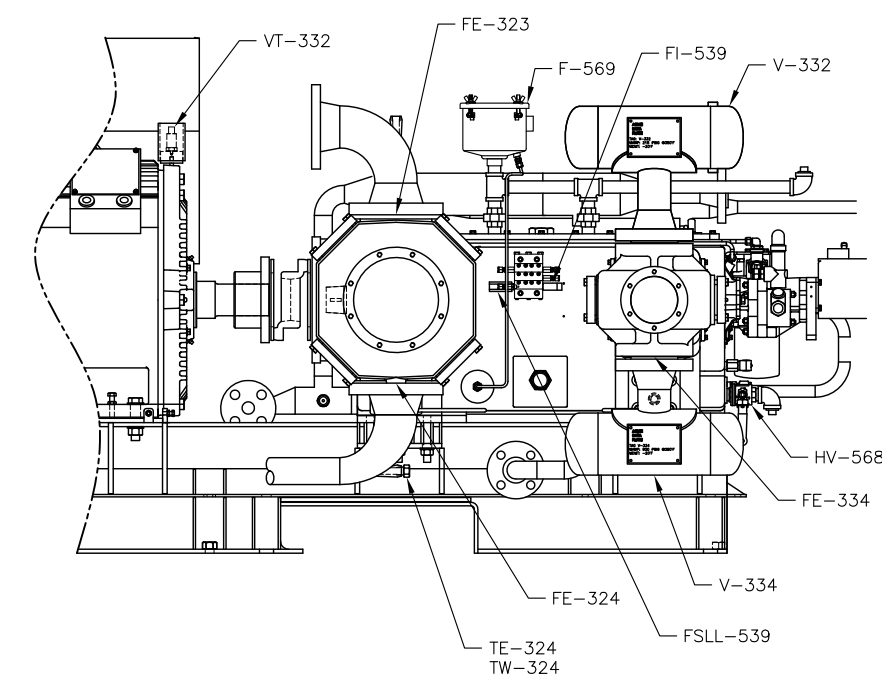
VIEW N-N
ITEMS REMOVED FOR CLARITY



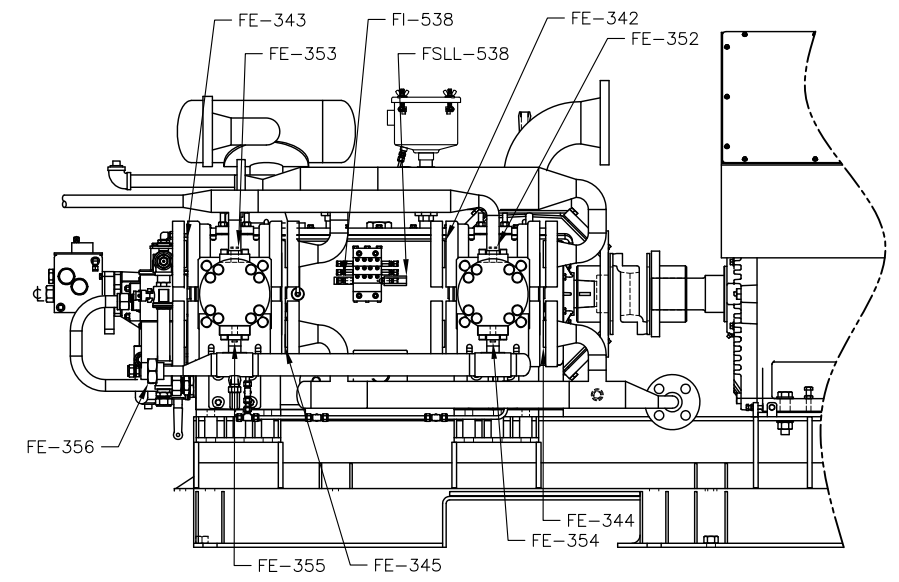
DETAIL AF
SCALE=1:5



DETAIL AD-AD
ITEMS REMOVED FOR CLARITY



VIEW AE-AE
ITEMS REMOVED FOR CLARITY



Guild Associates, Inc.
5750 SHIER RINGS ROAD
DUBLIN, OHIO 43016

	DO NOT SCALE DIMENSIONS DRAWING OR DIMENSIONS NOT MANUALLY PREPARED	UNLESS OTHERWISE SPECIFIED
	BREAK ALL SHARP CORNERS AND REMOVE BURRS UNLESS OTHERWISE SPECIFIED. STAMP OR ETCH PART IDENTIFICATION IN AREA MARKED	1-PLACE DEC:±.060 2-PLACE DEC:±.030 3-PLACE DEC:±.010
GE Oil & Gas	GENERAL ARRANGEMENT, CNG, 400 HP CWTF, BASE SKID	
FILE NO. MK- DATE 09/03/14	SCALE SHEET PART NO. 1:10 B/B	ISSUE 0