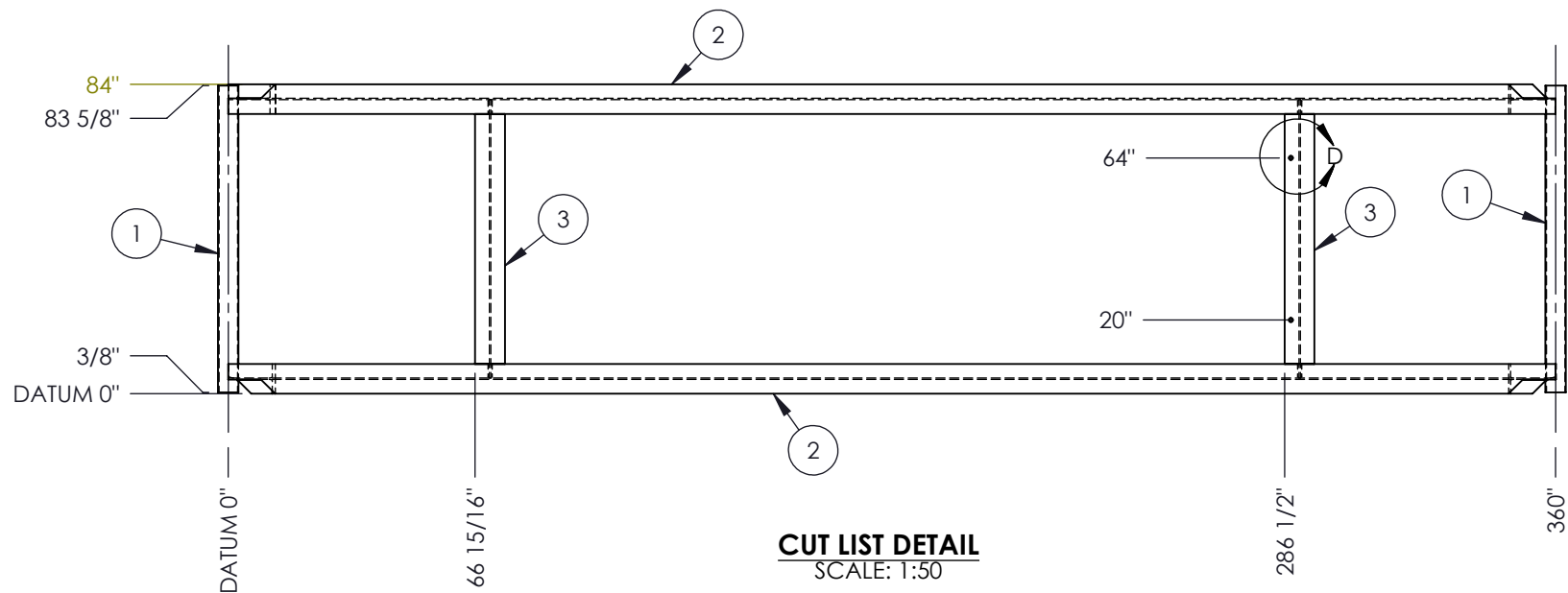
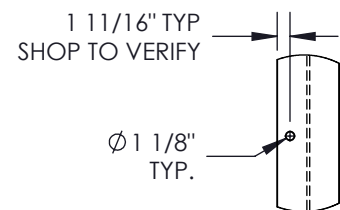
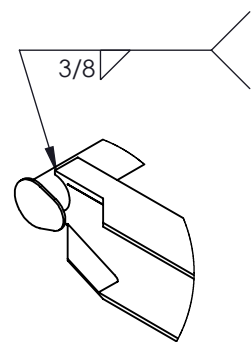
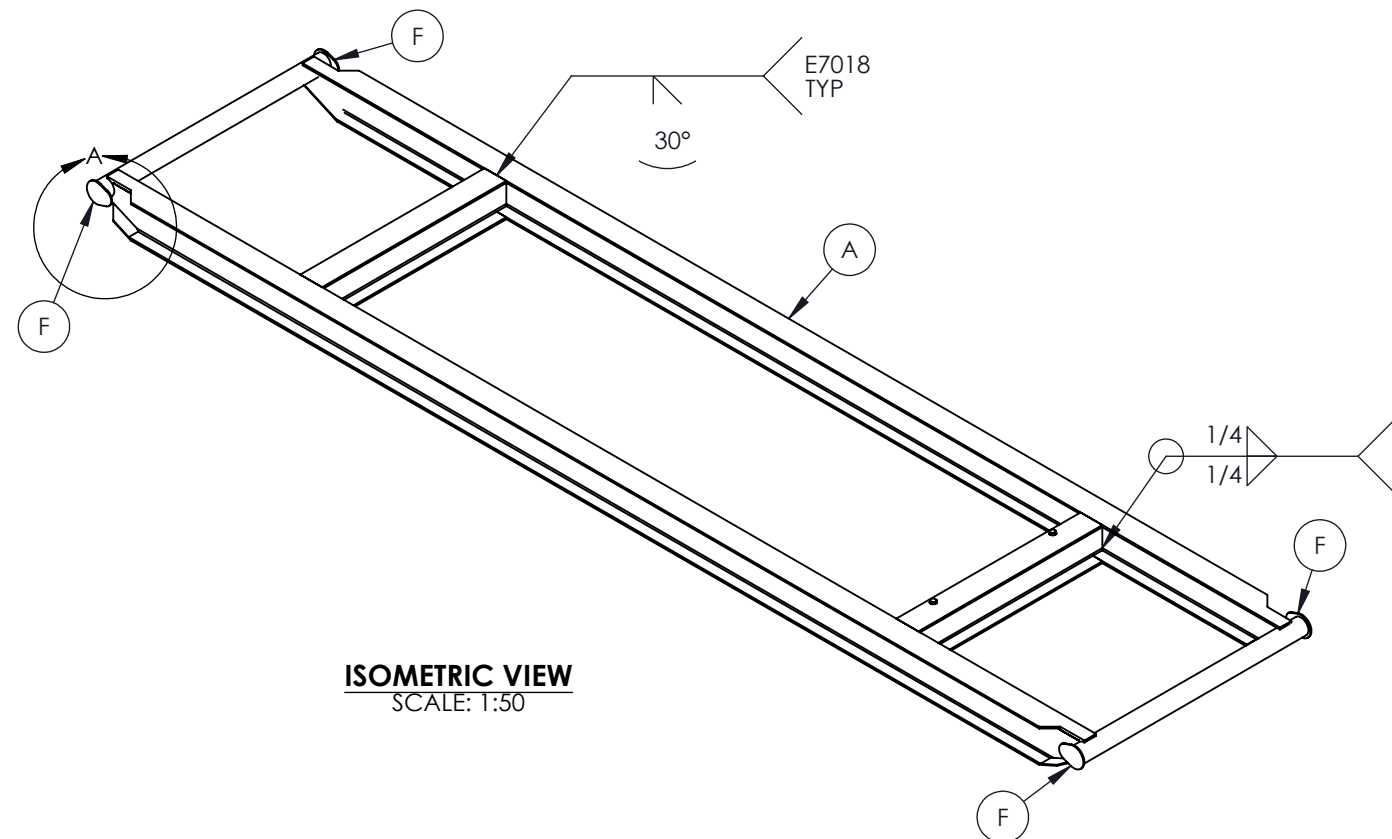


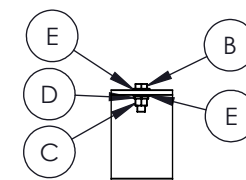
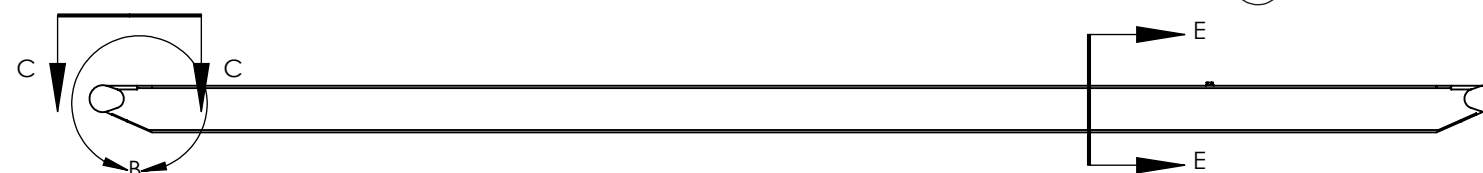
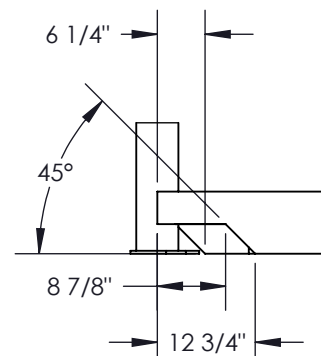
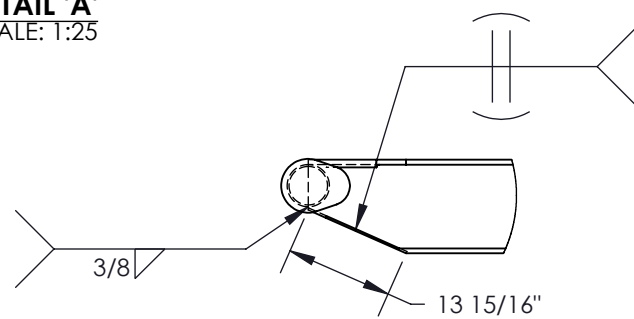
ITEM	QTY.	DESCRIPTION	PART #	Material	LENGTH
1	2	4" SCH. XH/80 PIPE	479757	SA-106B	83 1/4"
2	2	STEEL WIDE FLANGE 12" @ 50	543605	SA-36/44W	360 1/8"
3	2	STEEL WIDE FLANGE 12" @ 50	543605	SA-36/44W	75 9/16"



ITEM	MATERIAL	PART #	DESCRIPTION	MTR #	LENGTH	QTY.
A	-	-	SEE 102203 CUT LIST			1
B	GR. 8	100359	BOLT - 1" DIA. x 3" LG			2
C	GR. 8	100360	1" HEX NUT			2
D	GR.8	100361	1" LOCK WASHER			2
E	GR.8	100362	1" FLAT WASHER			4
F	SA-36/44W	732259	LARGE ROLL END TEAR DROP 3/8" PLATE			4



DETAIL 'A'
SCALE: 1:25



NOTES

- DESIGN AND FABRICATE TO CSA W47.1 AND W59.
- ALL DIMENSIONS SHALL HAVE A TOLERANCE OF ±1/8" UNLESS OTHERWISE SPECIFIED.
- COPE STRUCTURAL MEMBERS AS REQUIRED.
- RADIUS ALL SHARP EDGES.
- ALL WELDS TO BE 1/4" CONTINUOUS FILLET WELDS UNLESS OTHERWISE NOTED.
- SHOP TO VERIFY ALL I-BEAM CUT LENGTHS PRIOR TO SECTIONING BEAMS.
- WELD PROCEDURE TO BE MCAW UNLESS OTHERWISE NOTED.

DOCUMENT NO.	DESCRIPTION	REV	DATE	BY	CHK	APP	DRAWING REVISIONS
		1	2010.11.16	JHK			REVISED AS PER RFDC #00308
		0	2010.10.29	CW	GH	DF	ISSUED FOR CONSTRUCTION

ISSUED FOR CONSTRUCTION

SIGNED: _____

DATE: _____

W.O.: _____

S.O.: _____

ALL DIMENSIONS IN INCHES



P.O. BOX 6280, INNISFAIL, AB T4G 1S9
PH: (403) 227-4100 FAX: (403) 227-4102

THIS DRAWING IS PROPERTY OF NWP INDUSTRIES INC. AND MAY NOT BE REPRODUCED WITHOUT PERMISSION. THIS DRAWING MUST BE RETURNED UPON REQUEST.

NWP INDUSTRIES INC
LINEHEATER SKID
TO FIT 62" x 288" LG LINEHEATER

SKID ASSEMBLY

DWN: CW	CHK: GH	APP: DF
DATE: 2010.10.29	DATE: 2010.11.03	DATE: 2010.11.03
SCALE: 1:50	DWG: 102203	REV: 1
SHEET: 1 OF 1		