



EQUIPMENT UT DATA REPORT

Pg 1 of 4

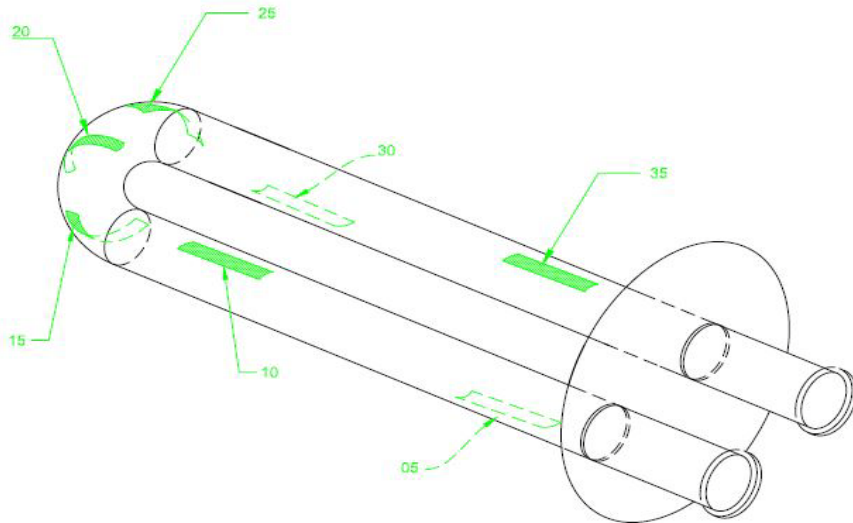
Customer: Chevron - Canada
Facility: W007
LSD: D-34-K/094-O-05
Field: KUS Liard
Equipment: Line Heater Firetube

PE No.: N/A
Reg No.: A0573595
CRN: P9417.213
S/N: 2631-01
Last Survey: 11/1/2015

UT No.: N/A
Year Built: 2010

UT Data Review Date: 7/18/2016
Reviewed By: Matthew Mackay

Comments: No issues observed on last survey. No previous data available. Internal access required. Next survey due NOV 2019.



EQUIPMENT UT DATA REPORT

Pg 2 of 4

Equipment Line Heater Firetube
 UT No. N/A

PE No. N/A
 Reg No.: A0573595

Test Location	5	Nominal Wall Thickness (mm)	6.350
Loc Description		Corrosion Allowance (mm)	0
Other		Minimum Allowable (mm)	6.350
Survey Direction			

UT SURVEY THICKNESS READINGS

Date (d/m/y) 1-Nov-15
 Min (mm) 6.38
 Start (mm) 6.480
 End (mm) 6.73

REMAINING LIFE CALCULATIONS (API 510)

Date (d/m/y)	Min WT (mm)	Allow WT (mm)	STCR (mm/yr)	LTCR (mm/yr)	Rem Life (yrs)	Flag
1-Nov-15	6.380	0.030	BASE	BASE	BASE	

Test Location	10	Nominal Wall Thickness (mm)	6.350
Loc Description		Corrosion Allowance (mm)	0
Other		Minimum Allowable (mm)	6.350
Survey Direction			

UT SURVEY THICKNESS READINGS

Date (d/m/y) 1-Nov-15
 Min (mm) 6.27
 Start (mm) 6.300
 End (mm) 6.32

REMAINING LIFE CALCULATIONS (API 510)

Date (d/m/y)	Min WT (mm)	Allow WT (mm)	STCR (mm/yr)	LTCR (mm/yr)	Rem Life (yrs)	Flag
1-Nov-15	6.270	-0.080	BASE	BASE	BASE	

Test Location	15	Nominal Wall Thickness (mm)	6.350
Loc Description		Corrosion Allowance (mm)	0
Other		Minimum Allowable (mm)	6.350
Survey Direction			

UT SURVEY THICKNESS READINGS

Date (d/m/y) 1-Nov-15
 Min (mm) 6.4
 Start (mm) 6.430
 End (mm) 6.45

REMAINING LIFE CALCULATIONS (API 510)

Date (d/m/y)	Min WT (mm)	Allow WT (mm)	STCR (mm/yr)	LTCR (mm/yr)	Rem Life (yrs)	Flag
1-Nov-15	6.400	0.050	BASE	BASE	BASE	

EQUIPMENT UT DATA REPORT

Pg 3 of 4

Equipment Line Heater Firetube
 UT No. N/A

PE No. N/A
 Reg No.: A0573595

Test Location	20	Nominal Wall Thickness (mm)	6.350
Loc Description		Corrosion Allowance (mm)	0
Other		Minimum Allowable (mm)	6.350
Survey Direction			

UT SURVEY THICKNESS READINGS

Date (d/m/y) 1-Nov-15
 Min (mm) 6.4
 Start (mm) 6.53
 End (mm) 6.58

REMAINING LIFE CALCULATIONS (API 510)

Date (d/m/y)	Min WT (mm)	Allow WT (mm)	STCR (mm/yr)	LTCR (mm/yr)	Rem Life (yrs)	Flag
1-Nov-15	6.400	0.050	BASE	BASE	BASE	

Test Location	25	Nominal Wall Thickness (mm)	6.350
Loc Description		Corrosion Allowance (mm)	0
Other		Minimum Allowable (mm)	6.350
Survey Direction			

UT SURVEY THICKNESS READINGS

Date (d/m/y) 1-Nov-15
 Min (mm) 6.38
 Start (mm) 6.480
 End (mm) 6.48

REMAINING LIFE CALCULATIONS (API 510)

Date (d/m/y)	Min WT (mm)	Allow WT (mm)	STCR (mm/yr)	LTCR (mm/yr)	Rem Life (yrs)	Flag
1-Nov-15	6.380	0.030	BASE	BASE	BASE	

Test Location	30	Nominal Wall Thickness (mm)	6.350
Loc Description		Corrosion Allowance (mm)	0
Other		Minimum Allowable (mm)	6.350
Survey Direction			

UT SURVEY THICKNESS READINGS

Date (d/m/y) 1-Nov-15
 Min (mm) 6.2
 Start (mm) 6.250
 End (mm) 6.22

REMAINING LIFE CALCULATIONS (API 510)

Date (d/m/y)	Min WT (mm)	Allow WT (mm)	STCR (mm/yr)	LTCR (mm/yr)	Rem Life (yrs)	Flag
1-Nov-15	6.200	-0.150	BASE	BASE	BASE	

EQUIPMENT UT DATA REPORT

Pg 4 of 4

Equipment Line Heater Firetube
 UT No. N/A

PE No. N/A
 Reg No.: A0573595

Test Location	35	Nominal Wall Thickness (mm)	6.350
Loc Description		Corrosion Allowance (mm)	0
Other		Minimum Allowable (mm)	6.350
Survey Direction			

UT SURVEY THICKNESS READINGS

Date (d/m/y) 1-Nov-15
 Min (mm) 6.17
 Start (mm) 6.380
 End (mm) 6.22

REMAINING LIFE CALCULATIONS (API 510)

Date (d/m/y)	Min WT (mm)	Allow WT (mm)	STCR (mm/yr)	LTCR (mm/yr)	Rem Life (yrs)	Flag
1-Nov-15	6.170	-0.180	BASE	BASE	BASE	