

VISTA Projects Limited VENDOR DRAWING/DOCUMENT SQUAD CHECK			
A	Reviewed without exception. Proceed with fabrication. Issue final drawings/documents.		
B	Reviewed except as marked and/or noted. Proceed with fabrication and resubmit drawing/document. Shipment will not be released, if any drawings/documents requiring approval, as per purchase order conditions, are at this code.		
C	Not accepted. Revise as marked and resubmit drawing/document for review. Shipment will not be released, if any drawings/documents requiring approval, as per purchase order conditions, are at this code.		
D	Not required for review. Received for information.		
Reviewed only as to general conformity with the design concept and specifications provided. The engineer does not warrant or represent that the information contained on this drawing/document is either accurate or complete. Sole responsibility for correct design, detail and dimensions shall remain with the party submitting the drawing/document.			
SDR CODE	EQUIPMENT TAG	REVIEWED BY	DATE
	B-1000	P.VALLA	MAR. 27, 2012

PRELIMINARY FLOOR PLAN  
OFFICE CONTROL ROOM  
MOC-01

14' x 60'

TA STRUCTURES  
DSL MODULAR  
2012 SERIES

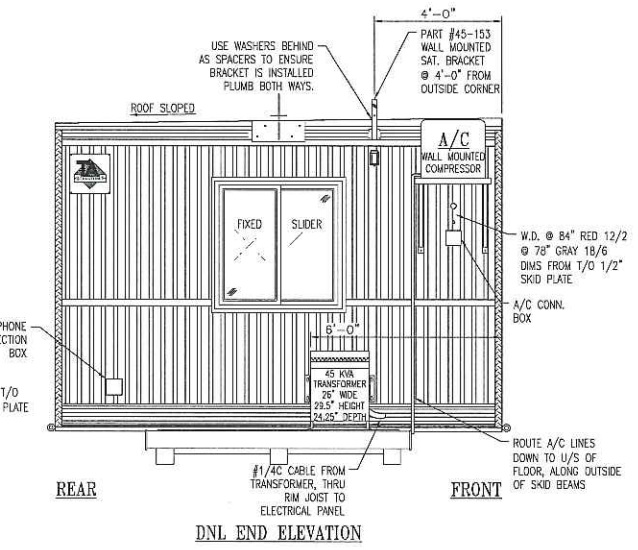
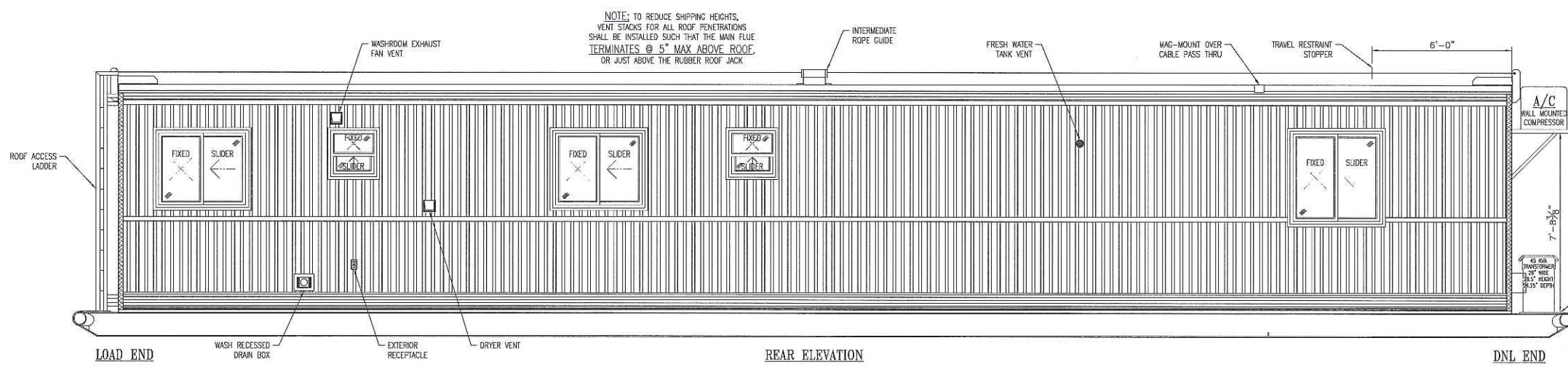
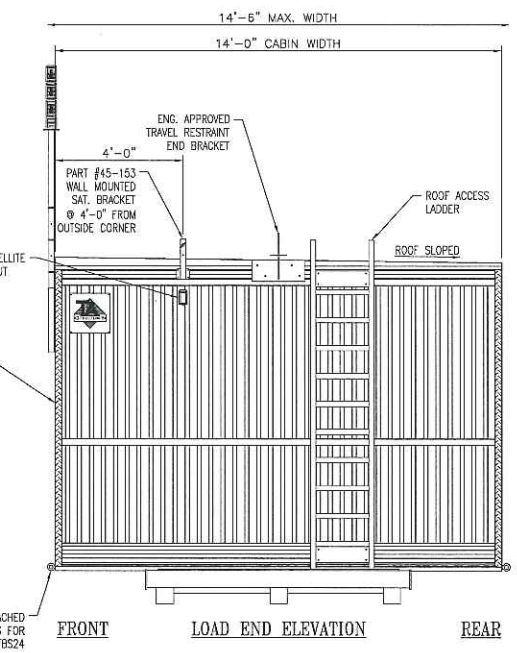
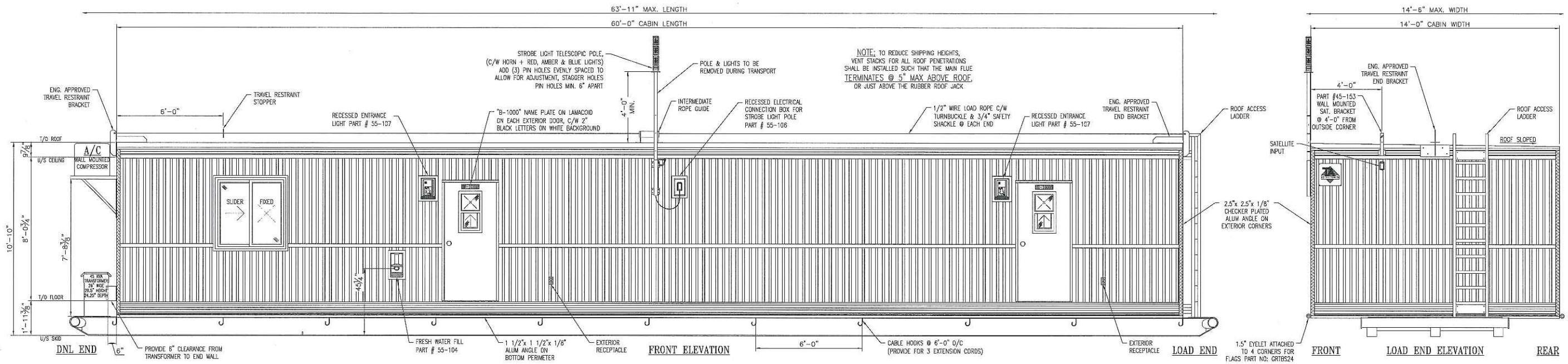
REV#	DESCRIPTION	DATE
REV A	ADDED SINGLE BOWL SINK, MOVED STROBE LIGHT POLE, ADDED TRANSFORMER	MAR. 21/12

THE DRAWINGS, INFORMATION AND SUBJECT MATTER HEREOF ARE THE CONFIDENTIAL, SOLE AND EXCLUSIVE PROPERTY OF TWIN ANCHORS MARINE (1977) LTD. AND ARE NOT TO BE COPIED, REPRODUCED OR USED IN ANY MANNER FOR ANY PURPOSE WHATSOEVER WITHOUT WRITTEN CONSENT OR DIRECTION.

675 Old Town Rd.  
P.O. Box 318, Sillanous,  
B.C., V0E 2V0  
Phone: (250) 836-3802  
Fax: (250) 836-3038



DRAWN BY: KM
CHECKED BY: WJR
PROJECT: MOC-01
DATE: MAR. 07/12
SCALE: AS NOTED
DRAWING #: 2
2 OF 2



ELEVATIONS  
3/8" = 1'-0"

DRAWING LIST

- 1 ELEVATIONS
- 2 FLOOR PLAN
- 3 SECTION & DETAILS
- 4 SKID LAYOUT
- 5 FLOOR JOIST LAYOUT
- 6 ROOF JOIST LAYOUT
- 7 EXTERIOR WALL FRAMING
- 8 INTERIOR WALL FRAMING
- 9 HEATING & A/C LAYOUTS
- 10 PLUMBING
- 11 ELECTRICAL CIRCUITS
- 12 MILLWORK
- 13 ELECTRICAL HOLE LAYOUT
- 14 DRAIN PANS
- 15 FRESH WATER TANKS
- 16 SKID WITH PILE LAYOUT
- 17 STROBE LIGHT TELESCOPIC POLE

ELEVATIONS & DRAWING LIST  
OFFICE CONTROL ROOM  
MOC-01

MOC-01

14' x 60'

TA STRUCTURES  
DSL MODULAR  
2012 SERIES

REV#	DESCRIPTION	DATE
REV A	UPDATED AS PER CLIENT MARK-UP'S	APR. 10/12
REV B	UPDATED TRANSFORMER SIZE	APR. 26/12
REV C	ADDED NAME PLATE TO EACH EXTERIOR DOOR	MAY 17/12

PROJECT TITLE: THE DRAWINGS, INFORMATION AND SUBJECT MATTER HEREOF ARE THE CONFIDENTIAL, SOLE AND EXCLUSIVE PROPERTY OF TWIN AND HORS MARINE (1977) LTD. AND ARE NOT TO BE COPIED, REPRODUCED OR USED IN ANY MANNER FOR ANY PURPOSE WHATSOEVER WITHOUT WRITTEN CONSENT OR DIRECTION.

675 Old Town Rd,  
P.O. Box 318, Slidmouth,  
B.C. V0E 2V0  
phone: (250) 838-3802  
Fax: (250) 838-3038



C.S.  
APR. 24/12

DRAWN BY: KM
CHECKED BY: WR
PROJECT: MOC-01
DATE: MAR, 07/12
SCALE: AS NOTED
DRAWING #: 1
1 OF 18

**VISTA Projects Limited**  
**VENDOR DRAWING/DOCUMENT SQUAD CHECK**

**A** Reviewed without exception. Proceed with fabrication. Issue final drawings/documents.

**B** Reviewed except as marked and/or noted. Proceed with fabrication and resubmit drawing/document. Shipment will not be released, if any drawings/documents requiring approval, as per purchase order conditions, are at this code.

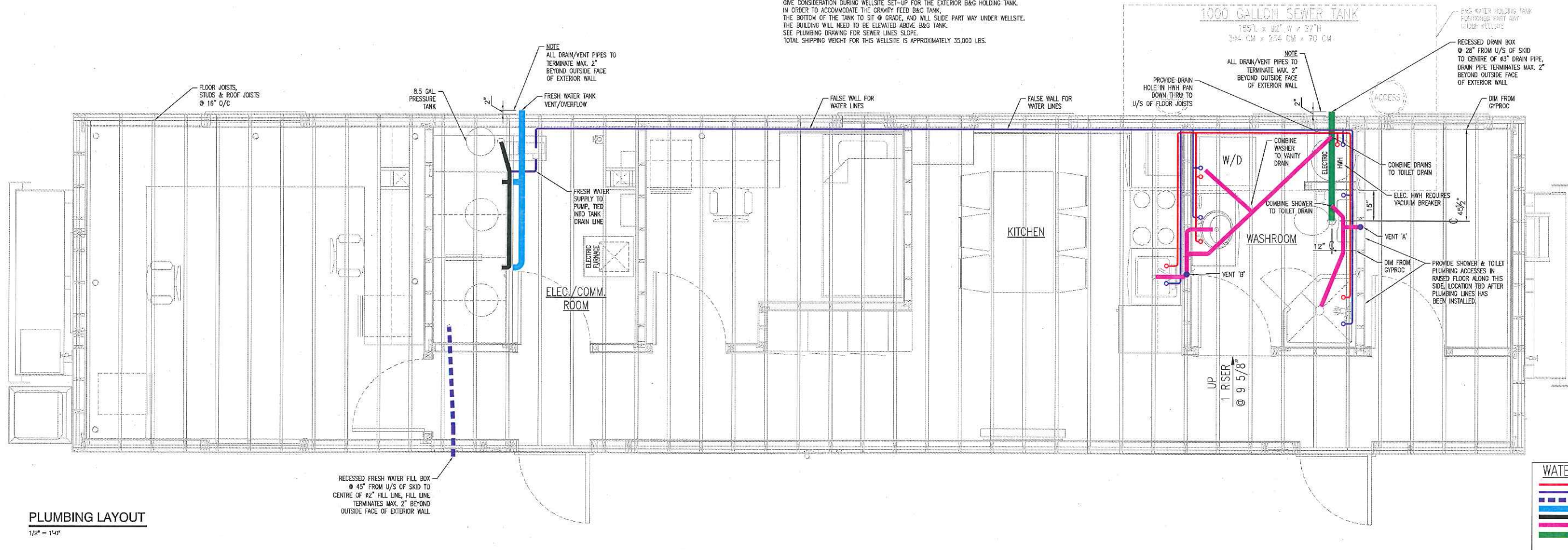
**C** Not accepted. Revise as marked and resubmit drawing/document for review. Shipment will not be released, if any drawings/documents requiring approval, as per purchase order conditions, are at this code.

**D** Not required for review. Received for information.

Reviewed only as to general conformity with the design concept and specifications provided. The engineer does not warrant or represent that the information contained on this drawing/document is either accurate or complete. Sole responsibility for correct design, detail and dimensions shall remain with the party submitting the drawing/document.

SDR CODE	EQUIPMENT TAG	REVIEWED BY	DATE
DCP1	B-1000	P. WALLA	6 Jun 2012

**NOTE:**  
 GIVE CONSIDERATION DURING WELLSITE SET-UP FOR THE EXTERIOR B&G HOLDING TANK.  
 IN ORDER TO ACCOMMODATE THE GRIMY FEED BAG TANK,  
 THE BOTTOM OF THE TANK TO SIT @ GRADE, AND WILL SLIDE PART WAY UNDER WELLSITE.  
 THE BUILDING WILL NEED TO BE ELEVATED ABOVE BAG TANK.  
 SEE PLUMBING DRAWING FOR SEWER LINES SLOPE.  
 TOTAL SHIPPING WEIGHT FOR THIS WELLSITE IS APPROXIMATELY 35,000 LBS.



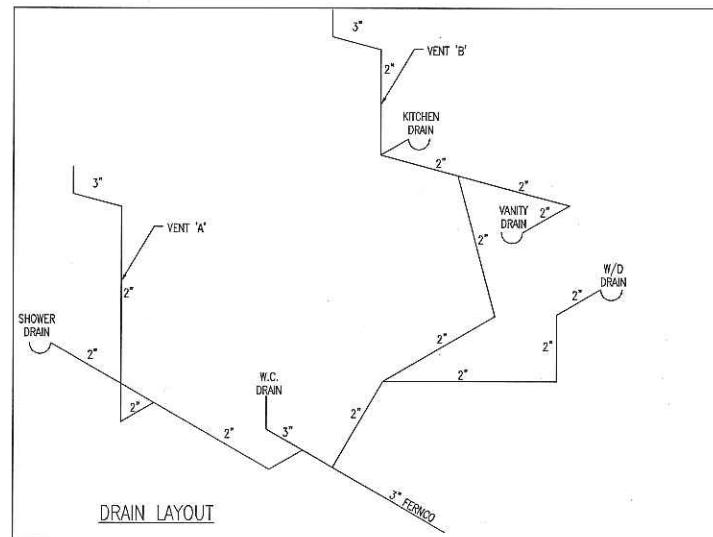
**PLUMBING LAYOUT**

1/2" = 1'-0"

WATER LEGEND	
<span style="color: red;">—</span>	HOT WATER FEED
<span style="color: blue;">—</span>	COLD WATER FEED
<span style="color: purple;">—</span>	FRESH WATER FILL
<span style="color: green;">—</span>	FRESH WATER VENT/OVERFLOW
<span style="color: black;">—</span>	FRESH WATER TANK DRAIN
<span style="color: magenta;">—</span>	2" DRAIN
<span style="color: cyan;">—</span>	3" DRAIN

**NOTE**

- SHOWER DRAINS NOT TO BE GLED IN PLACE TO ALLOW FOR FUTURE SHOWER REMOVAL TO ACCESS PLUMBING.
- SHOWER P-TRAPS - TO BE SOLID, GLUE-IN FITTINGS, NOT SCREW ON TYPE.
- SHOWER DRAIN - PROVIDE APPROX. 12" X 12" CUT-OUT AROUND SHOWER DRAIN TO PROVIDE ACCESS FOR FUTURE REPAIR ACCESS. ENSURE ADEQUATE FLOOR SUPPORT FOR SHOWER FLOOR.
- WATER LINE DRAINS TO BE TIED INTO FRESH WATER DRAIN
- WASHER DRAIN LINE TO BE 2" PIPE, NOT 1.5"
- ALL DRAIN PIPE MUST USE 45 DEGREE ELBOWS NOT 90'S - 90'S TO BE USED ONLY ON TOILETS & VENTS
- WHEN REDUCING FROM ONE SIZE PIPE TO ANOTHER A FULL SIZE CLEAN OUT IS REQUIRED.
- OVERFLOW / VENT ON FRESH WATER STORAGE TANK MUST BE PVC SCH 40 PIPE.
- SLOPE ALL WATER LINES TOWARDS DRAINS 1" PER 4'-0"
- FRESH WATER DRAIN SHALL BE SEPARATE FROM ALL OTHER DRAINS
- WATERLINES - DESIGN TO ALLOW FOR DRAINS AT ALL LOW POINTS TO EFFECT EFFICIENT WINTERIZATION OF THE UNIT
- ALL WATER LINE DRAINS TO BE PLASTIC LINES (LESS PRONE TO FREEZING)
- GED SINKS TO HAVE ITS OWN 2" DRAIN - DO NOT COMBINE INTO OTHERS
- SEWER LINE DESIGN GRADES AS FOLLOWS: (3"-1/4"/FT), (4"-1/8"/FT), (6"-1/16"/FT), (8"-1/32"/FT).
- CONFIRM ENOUGH SLOPE FOR DRAIN LINES ON ALL FUTURE BUILDS, EXTRA CAUTION FOR BAG WATER CONTAINED UNITS
- GAS VENTS OR EXHAUST (HWT, DRYER ETC) MUST BE AT LEAST 3 FT FROM ANY WINDOW OR DOOR OPENING.
- VENT STACKS FOR ALL ROOF PENETRATIONS TO BE INSTALLED SUCH THAT THE MAIN FLUE TERMINATES JUST ABOVE THE RUBBER ROOF JACK, OR THE INTERMEDIATE FALL RESTRAINT BRACKET, THE EXTENSION PORTION TO BE REMOVED DURING TRANSPORTATION (TO REDUCE SHIPPING HEIGHTS)
- ROOF VENTS SHOULD BE INCREASED TO 3" IN ROOF CAVITY FOR A LENGTH OF APPROX. 12" BEFORE RUNNING VERTICALLY THROUGH THE ROOF JACK. HORIZONTAL LINES SHOULD BE INSTALLED BELOW BATT INSULATION TO ASSIST IN TRANSFERRING HEAT THROUGH THE STACK TO MELT ANY ACCUMULATED SNOW/FROST
- AVOID USING CONNECTIONS FOR THE WATER LINES WITHIN RAISED FLOORS - (USE CONTINUOUS WATER LINE)



**VISTA Projects Limited**  
**VENDOR DRAWING/DOCUMENT SQUAD CHECK**

**A** Reviewed without exception. Proceed with fabrication. Issue final drawings/documents.

**B** Reviewed except as marked and/or noted. Proceed with fabrication and resubmit drawing/document. Shipment will not be released, if any drawings/documents requiring approval, as per purchase order conditions, are at this code.

**C** Not accepted. Revise as marked and resubmit drawing/document for review. Shipment will not be released, if any drawings/documents requiring approval, as per purchase order conditions, are at this code.

**D** Not required for review. Received for information.

Reviewed only as to general conformity with the design concept and specifications provided. The engineer does not warrant or represent that the information contained on this drawing/document is either accurate or complete. Sole responsibility for correct design, detail and dimensions shall remain with the party submitting the drawing/document.

SDR CODE	EQUIPMENT TAG	REVIEWED BY	DATE
DL-01	B-LWD	P.VALLA	7 MAY 2012

**MOC-01**

PLUMBING LAYOUT  
 OFFICE CONTROL ROOM  
 MOC-01

14' x 60'

TA STRUCTURES  
 DSL MODULAR  
 2012 SERIES

REV#	DESCRIPTION	DATE
REV A	UPDATED AS PER CLIENT MARK-UP'S	

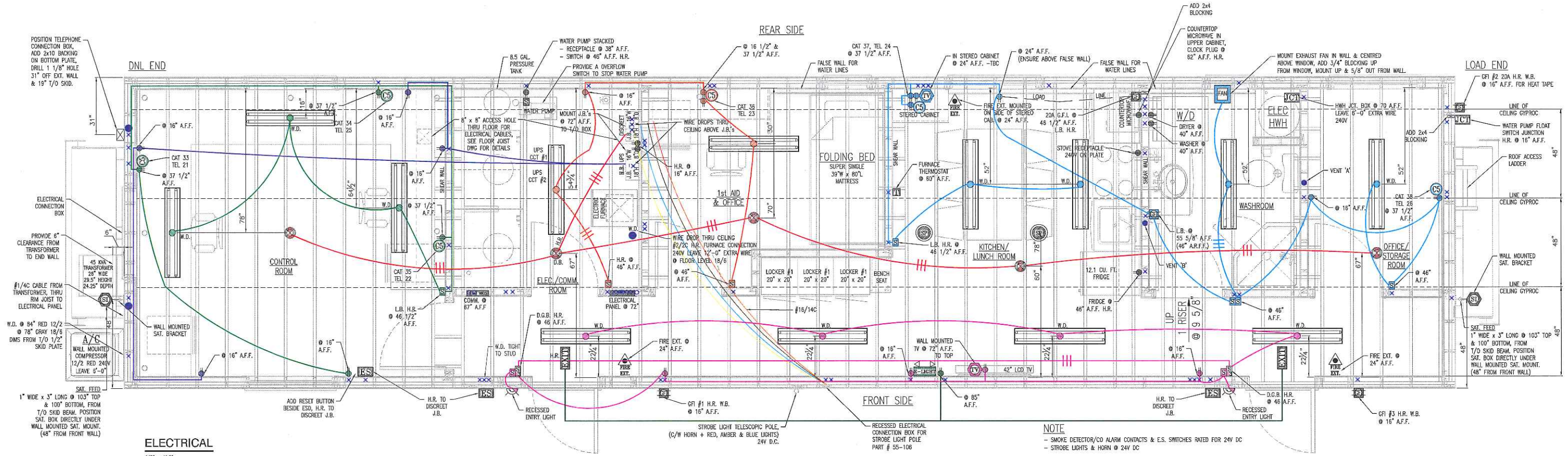
PROJECT TITLE: TA STRUCTURES  
 THE DRAWINGS, INFORMATION AND SUBJECT MATTER HEREOF ARE THE CONFIDENTIAL, SOLE AND EXCLUSIVE PROPERTY OF TA STRUCTURES MARINE (1977) LTD. AND ARE NOT TO BE COPIED, REPRODUCED OR USED IN ANY MANNER FOR ANY PURPOSE WHATSOEVER WITHOUT WRITTEN CONSENT OR DIRECTION.

675 Old Town Rd,  
 P.O. Box 310, Saco, ME,  
 B.C. V0E 2V0  
 phone: (250) 836-3802  
 Fax: (250) 836-3038



**C.S.**  
 APR. 19/12

DRAWN BY: KM
CHECKED BY: WR
PROJECT: MOC-01
DATE: MAR. 07/12
SCALE: AS NOTED
DRAWING #: 10
10 OF 18



**ELECTRICAL LEGEND**

→ 120V DUPLEX RECEPTACLE	→ ELECTRICAL DISTRIBUTION PANEL
→ 220V RECEPTACLE	→ COMMUNICATION PANEL
→ GFI RECEPTACLE	→ FIRE ALARM PANEL
→ THERMOSTAT	→ MANUAL PULL STATION @ 80"
→ WASHROOM EXHAUST FAN	→ END OF LINE DEVICE
→ READING LIGHT	→ COMBO EXIT SIGN + E.L.U.
→ SINGLE SWITCH	→ EXIT SIGN
→ DIMMER SWITCH	→ HEAT DETECTOR 135°F
→ 3-WAY SWITCH	→ FIXED TEMP. H.D. 194°F
→ DIMMER SWITCH	→ MOISTURE PROOF H.D. 135°F
→ 12V ACCESSORY OUTLET	→ SMOKE DETECTOR
→ SPEAKERS	→ SMOKE DETECTOR CO ALARM COMBINED
→ RECESSED MOUNTED CEILING FIXTURE	→ CO ALARM
→ SURFACE MOUNTED CEILING FIXTURE	→ AIR DUCT SMOKE DETECTOR
→ RECESSED MOUNTED WALL FIXTURE	→ VOLT METER
→ SURFACE MOUNTED WALL FIXTURE	→ FREQ. METER
→ SATELLITE INPUTS	→ VOLUME CONTROL - SPEAKER
→ SATELLITE CONNECTION	→ CENTRAL VACUUM
→ COMBO 120V RECEPTACLE	→ CAT 5 OUTLET
→ FIRE EXTINGUISHER	→ CAT 5 OUTLET
→ 10" COMBO BELL & STROBE LIGHT 24V DC	→ LFG GAS DETECTOR (19" TO CENTER TYP.)
→ 1000W BASEBOARD HEATER	→ JUNCTION BOX
→ 750W BASEBOARD HEATER	→ GANG BOX
→ 500W BASEBOARD HEATER	→ EMERGENCY REMOTE LIGHT
→ 300W BASEBOARD HEATER	→ EMERGENCY LIGHT
	→ EMERGENCY SHUTOFF
	→ FLUORESCENT LIGHT

**NOTE: MOUNTING BOXES**  
- BASEBOARD WIRE RUNS IN WALLS @ 6" A.F.F.  
- CIRCUIT WIRE RUNS IN WALLS @ 24" A.F.F.  
- CAT5 WIRE RUNS IN WALLS @ 20" A.F.F.  
- BOTH EXTERIOR END WALL - MOUNT BOX 1" OUT FROM STUD  
- CEILING LIGHT BOXES - MOUNT 1" DOWN FROM JOISTS  
- CEILING LIGHT DIMENSIONS ARE TO CENTER  
- ALL BOXES AND PANELS IN MECH ROOM WALL W/OSB SHEATHING + 5/8" GYPROC - MOUNTED @ 1"  
- MICROWAVE MOUNTED @ 1"  
- RECEPTACLE BOXES A.F.F. & DIMENSIONS ARE TO TOP OF BOX  
ALL DIMS. ARE TO 2x6 & 2x4 FRAMING U.N.O.

**MOC-01**  
ELECTRICAL PANEL SCHEDULE  
NOTE: PANEL IS REVERSE MOUNTED.  
CIRCUIT NUMBERS WILL BE REVERSED FROM NORMAL

LOAD END	AMP	AMP	DNL END
	A42	A41	
	B40	B39	
	C38	C37	
	A36	A35	
	B34	B33	
	C32	C31	
	A30	A29	
	B28	B27	
	C26	C25	
CONTROL ROOM LIGHTS & RECEPTACLES	15	A24	A23
ELEC./COMM./1st AID ROOMS	15	B22	B21
HALLWAY LIGHTS & RECEPTACLES	15	C20	C19
WATER PUMP	15	A18	A17
WASHER	15	B16	B15
FURNACE	100	C14	C13
FURNACE	100	A12	A11
HOT WATER HEATER	20	B10	B9
HOT WATER HEATER	20	C8	C7
AIR CONDITIONER	20	A6	A5
AIR CONDITIONER	20	B4	B3
EMERGENCY/EXIT LIGHTS	15	C2	C1

100 AMP MAIN BREAKER - 3 PHASE PANEL  
SMOKE DETECTORS TO RECEIVE UPS POWER VIA JB-UPS

**MOC-01 - PARTS LIST**

DESCRIPTION	MTG. PART NO.	TA PART NO.
BEWAG TRANSFORMER	UA3045P480	18791
A C COMPRESSOR	DS480-024K9	17247
ELECTRIC FURNACE	E3EB-015H	18394
BARO FURNACE THERMOSTAT	B403-058	11630
ES SWITCHES	52P2W2	18795
KIDPE SMOKE DETECTORS	D1235CA	11331
BASE FOR STROBE LIGHTS & HORN	102PMS-DN-G1	18800
MODULE STROBE LIGHTS 18800	102LS-ST-G1	18801
HORN MULTIPLE TONE HORN	5531M-24AQ	18803
LENS - COLORED	102LM	18802
WATER PUMP/MOTOR/PRESSURE TANK	9C51 JACUZZI SERIES ASSY	11825
ELECTRIC HOT WATER HEATER	M230USS	11607
FRESH WATER TANK		25-173 TAs
WASTE WATER TANK		
COIL	C88AM1830U-B	18499
RESET BUTON FOR ES SWITCH	52PXA3	18858
<b>APPLIANCES</b>		
KEINORE STACKED WASHER & DRYER	18202	17892
12.1 CU. FT. GE FRIDGE/FREEZER	GTR126AXB8	18195
KEINORE COUNTERTOP MICROWAVE	970-86169	18783
GE RANGE	CFE31268B	15237
SHERWOOD STEREO RECEIVER	RX 4109	15969
TRU AUDIO SPEAKERS	LCS	18790
TOSHIBA 40" LCD TV	40E220U	18816
PANASONIC DVD	SD4300KC	18271

**VISTA Projects Limited**  
**VENDOR DRAWING/DOCUMENT SQUAD CHECK**

**A** Reviewed without exception. Proceed with fabrication. Issue final drawings/documents.

**B** Reviewed except as marked and/or noted. Proceed with fabrication and resubmit drawing/document. Shipment will not be released, if any drawings/documents requiring approval, as per purchase order conditions, are at this code.

**C** Not accepted. Revise as marked and resubmit drawing/document for review. Shipment will not be released, if any drawings/documents requiring approval, as per purchase order conditions, are at this code.

**D** Not required for review. Received for information.

Reviewed only as to general conformity with the design concept and specifications provided. The engineer does not warrant or represent that the information contained on this drawing/document is either accurate or complete. Sole responsibility for correct design, detail and dimensions shall remain with the party submitting the drawing/document.

SDR CODE	EQUIPMENT TAG	REVIEWED BY	DATE
DE02	B-1000	PIVALA	12 JUN 2012

# MOC-01

**ELECTRICAL**  
**OFFICE CONTROL ROOM**  
MOC-01

14' x 60'

**TA STRUCTURES**  
**DSL MODULAR**  
2012 SERIES

REV#	DESCRIPTION	DATE
REV A	UPDATED AS PER CLIENT MARK-UP'S	APR 10/12
REV B	UPDATED TRANSFORMER SIZE	APR 26/12
REV C	ADDED RESET BUTTON BESIDE ESD & PARTS LIST	MAY 17/12
REV D	REVISED SMOKE DETECTOR POWER VIA JB-UPS	JUNE 08/12

THE DRAWINGS, INFORMATION AND SUBJECT MATTER HEREOF ARE THE CONFIDENTIAL, SOLE AND EXCLUSIVE PROPERTY OF TWIN ANCHORS MARINE (1977) LTD. AND ARE NOT TO BE COPIED, REPRODUCED OR USED IN ANY MANNER FOR ANY PURPOSE WHATSOEVER WITHOUT WRITTEN CONSENT OR DIRECTION.

875 Old Town Rd.  
P.O. Box 318, Saco, ME  
B.C. VOE ZVO  
phone: (252) 836-3802  
Fax: (252) 836-3038



**C.S.**  
APR 24/12

DRAWN BY: KM
CHECKED BY: WR
PROJECT: MOC-01
DATE: MAR 07/12
SCALE: AS NOTED
DRAWING #: 11
11 OF 18



# CODE SHEET

VISTA Projects Limited			
VENDOR DRAWING/DOCUMENT SQUAD CHECK			
<b>A</b>	Reviewed without exception. Proceed with fabrication. Issue final drawings/documents.		
<b>B</b>	Reviewed except as marked and/or noted. Proceed with fabrication and resubmit drawing/document. Shipment will not be released, if any drawings/documents requiring approval, as per purchase order conditions, are at this code.		
<b>C</b>	Not accepted. Revise as marked and resubmit drawing/document for review. Shipment will not be released, if any drawings/documents requiring approval, as per purchase order conditions, are at this code.		
<b>D</b>	Not required for review. Received for information.		
Reviewed only as to general conformity with the design concept and specifications provided. The engineer does not warrant or represent that the information contained on this drawing/document is either accurate or complete. Sole responsibility for correct design, detail and dimensions shall remain with the party submitting the drawing/document.			
SDR CODE	EQUIPMENT TAG	REVIEWED BY	DATE
DC01	B-1000	P.VALLA	7MAY2012

PROJECT NAME: Murphy Oil Cadotte 1780-025

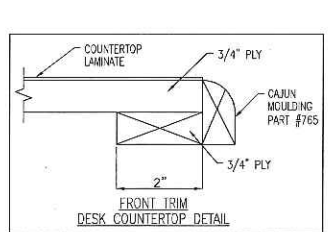
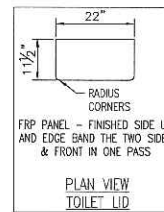
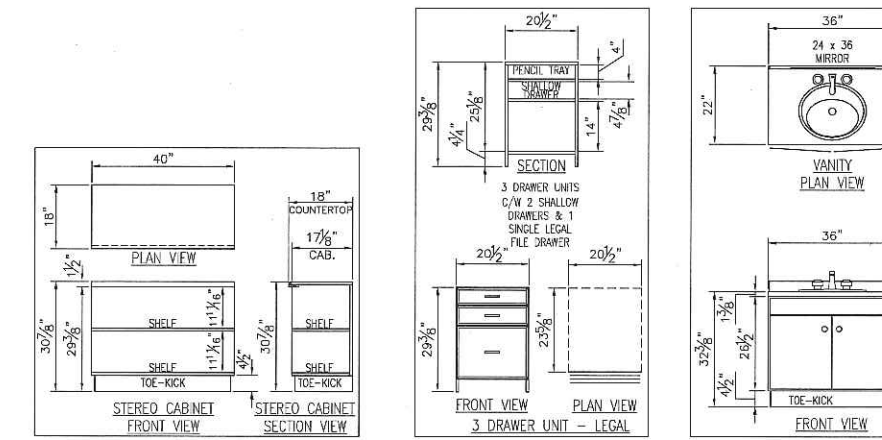
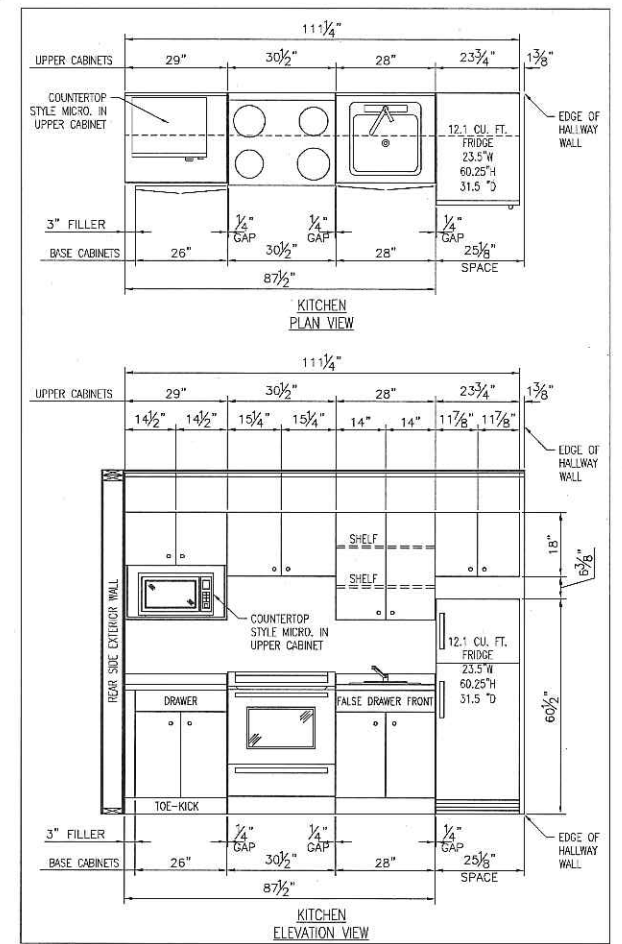
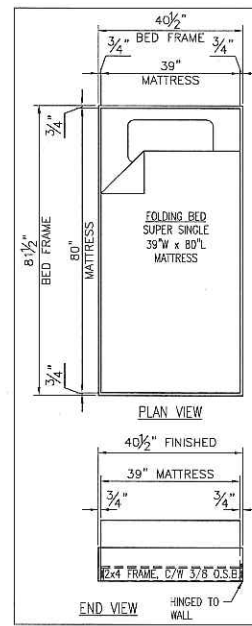
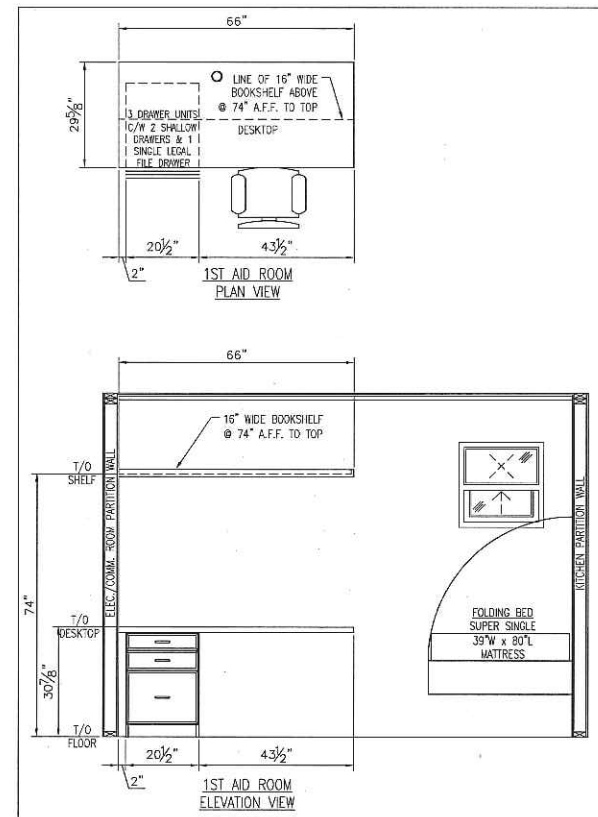
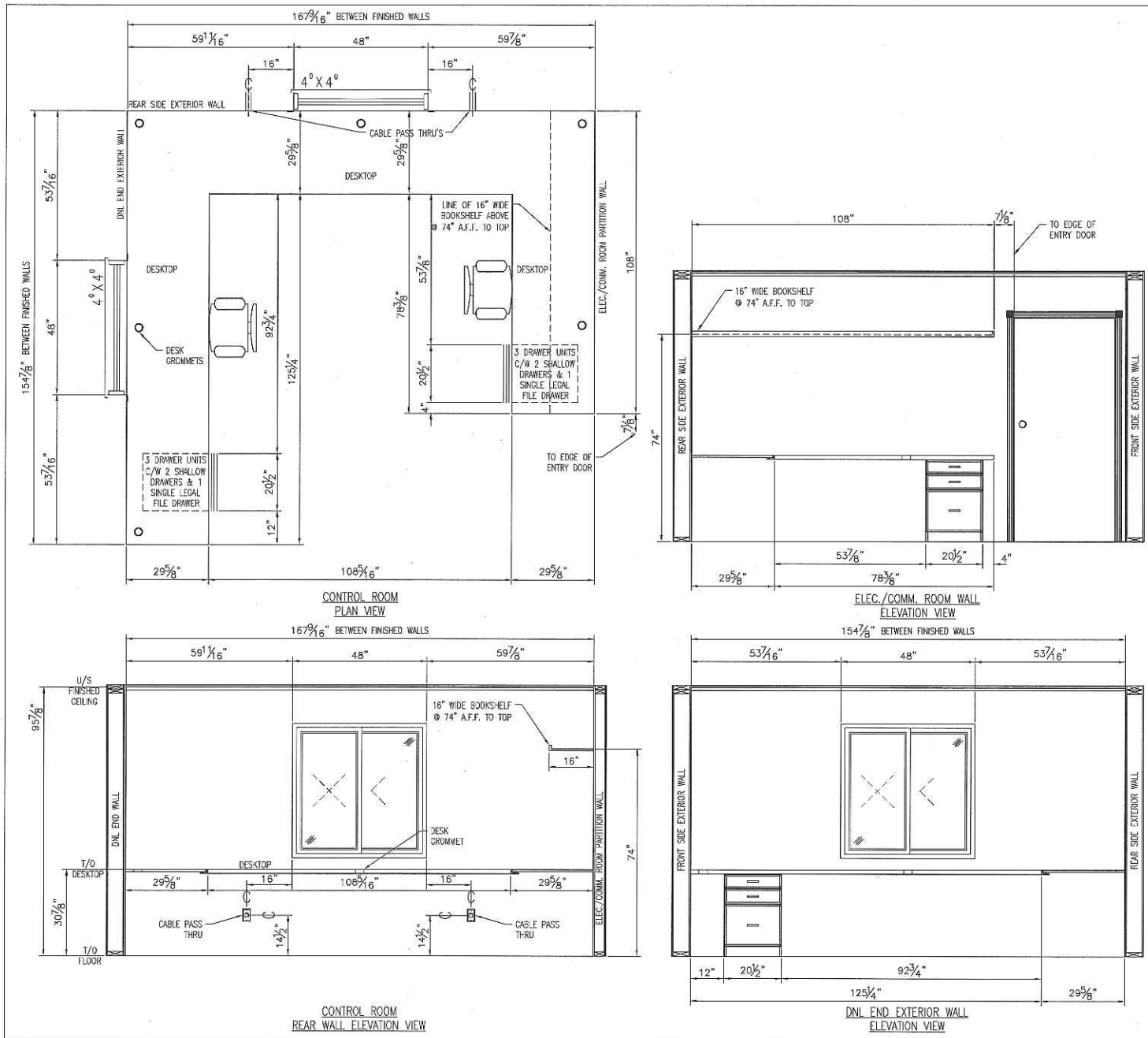
VENDOR NAME: DSC Modular

DOCUMENT NUMBER: MOC-01-12

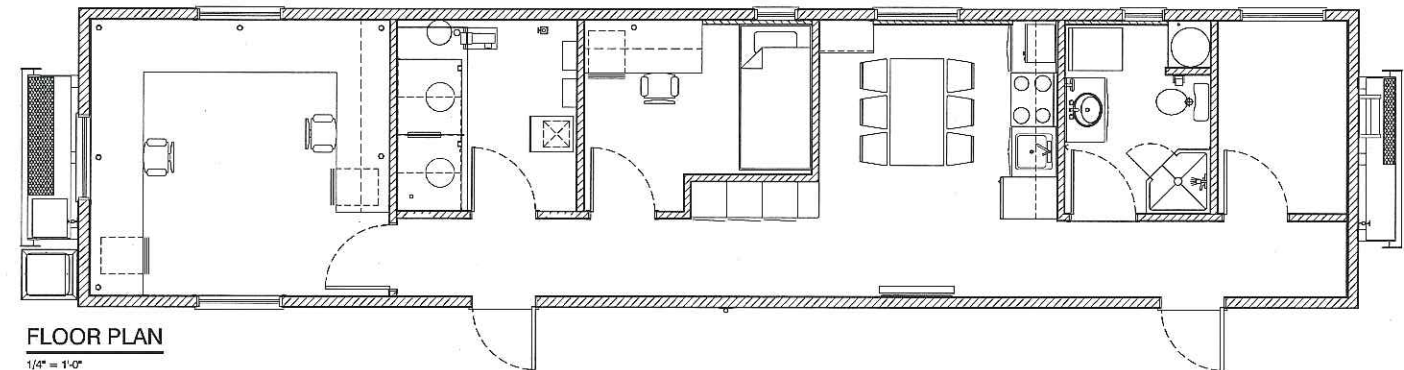
VENDOR REVISION: A

DOCUMENT DESCRIPTION: Millwork #2 Office Control Room  
MOC-01

VENDOR TRANSMITTAL NUMBER: \_\_\_\_\_



**MILLWORK**  
 1/2" = 1'-0"



**MOC-01**

**MILLWORK #2**  
**OFFICE CONTROL ROOM**  
 MOC-01

14' x 60'

**TA STRUCTURES**  
**DSL MODULAR**  
 2012 SERIES

REV#	DESCRIPTION	DATE

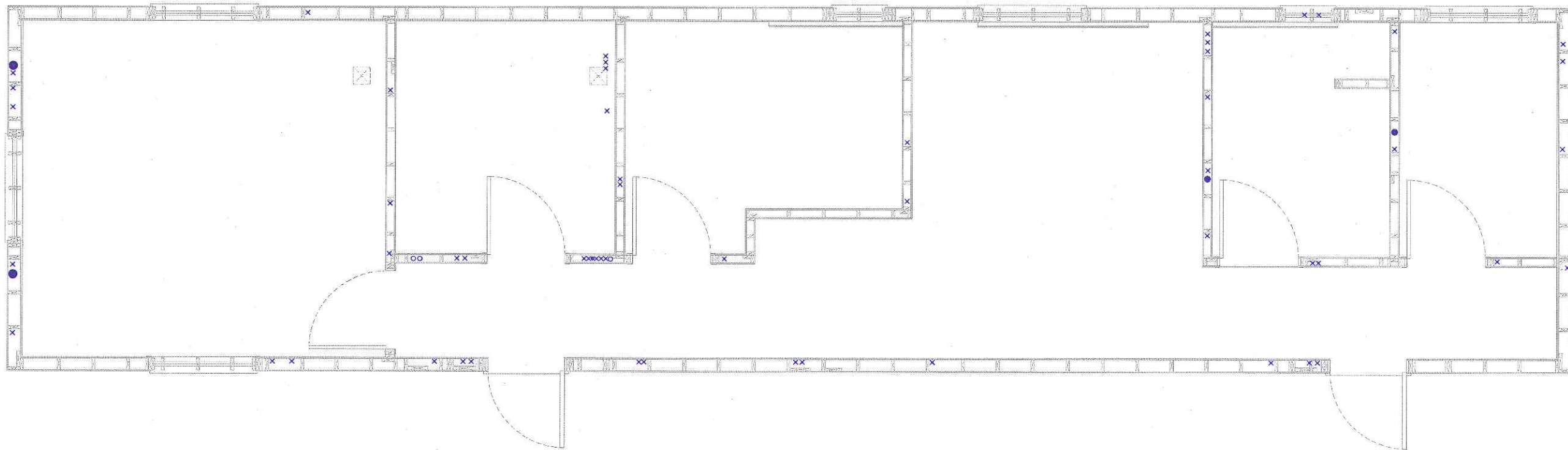
PROJECT TITLE: THE DRAWINGS, INFORMATION AND SUBJECT MATTER HEREOF ARE THE CONFIDENTIAL, SOLE AND EXCLUSIVE PROPERTY OF THIN ANCHORS MARINE (1977) LTD. AND ARE NOT TO BE COPIED, REPRODUCED OR USED IN ANY NUMBER FOR ANY PURPOSE WHATSOEVER WITHOUT WRITTEN CONSENT OR DIRECTION.  
 675 Old Town Rd.  
 P.O. Box 318, Sicamous, B.C., V0E 2V0  
 phone: (250) 836-3802  
 Fax: (250) 836-3038



**C.S.**  
 APR. 19/12

DRAWN BY: KM
CHECKED BY: WR
PROJECT: MOC-01
DATE: MAR. 07/12
SCALE: AS NOTED
DRAWING #:
<b>12</b>
12 OF 18

VISTA Projects Limited VENDOR DRAWING/DOCUMENT SQUAD CHECK			
<b>A</b>	Reviewed without exception. Proceed with fabrication. Issue final drawings/documents.		
<b>B</b>	Reviewed except as marked and/or noted. Proceed with fabrication and resubmit drawing/document. Shipment will not be released, if any drawings/documents requiring approval, as per purchase order conditions, are at this code.		
<b>C</b>	Not accepted. Revise as marked and resubmit drawing/document for review. Shipment will not be released, if any drawings/documents requiring approval, as per purchase order conditions, are at this code.		
<b>D</b>	Not required for review. Received for information.		
Reviewed only as to general conformity with the design concept and specifications provided. The engineer does not warrant or represent that the information contained on this drawing/document is either accurate or complete. Sole responsibility for correct design, detail and dimensions shall remain with the party submitting the drawing/document.			
SDR CODE	EQUIPMENT TAG	REVIEWED BY	DATE
DC05	B-1000	P.VALLA	JUN 7 2012



FLOOR PLAN - ELECTRICAL HOLE LAYOUT  
1/2" = 1'-0"

ELECTRICAL HOLE LEGEND	
x	← 7/8" HOLE
•	← 1" HOLE
○	← 2" HOLE
●	← 2 9/16" HOLE

# MOC-01

FLOOR PLAN - ELECTRICAL HOLE LAYOUT  
OFFICE CONTROL ROOM  
MOC-01

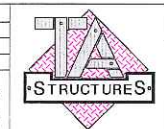
TA STRUCTURES  
DSL MODULAR  
2012 SERIES

14' x 60'

REV#	DESCRIPTION	DATE
REV A	UPDATED AS PER CLIENT MARK-UP'S	

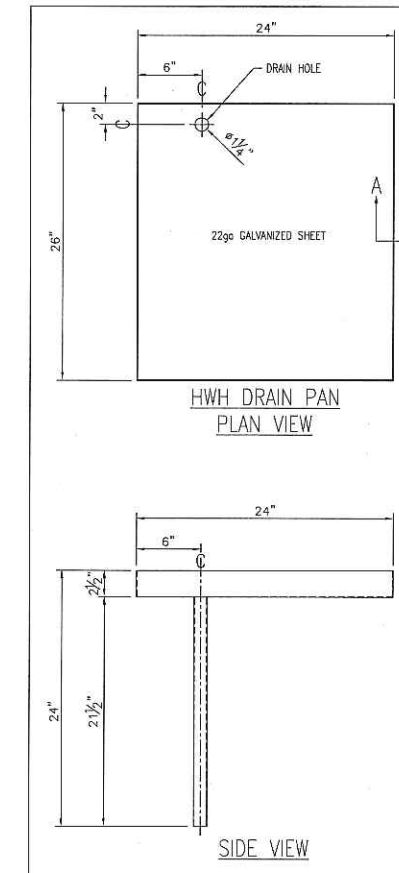
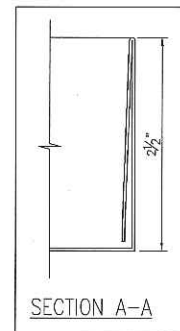
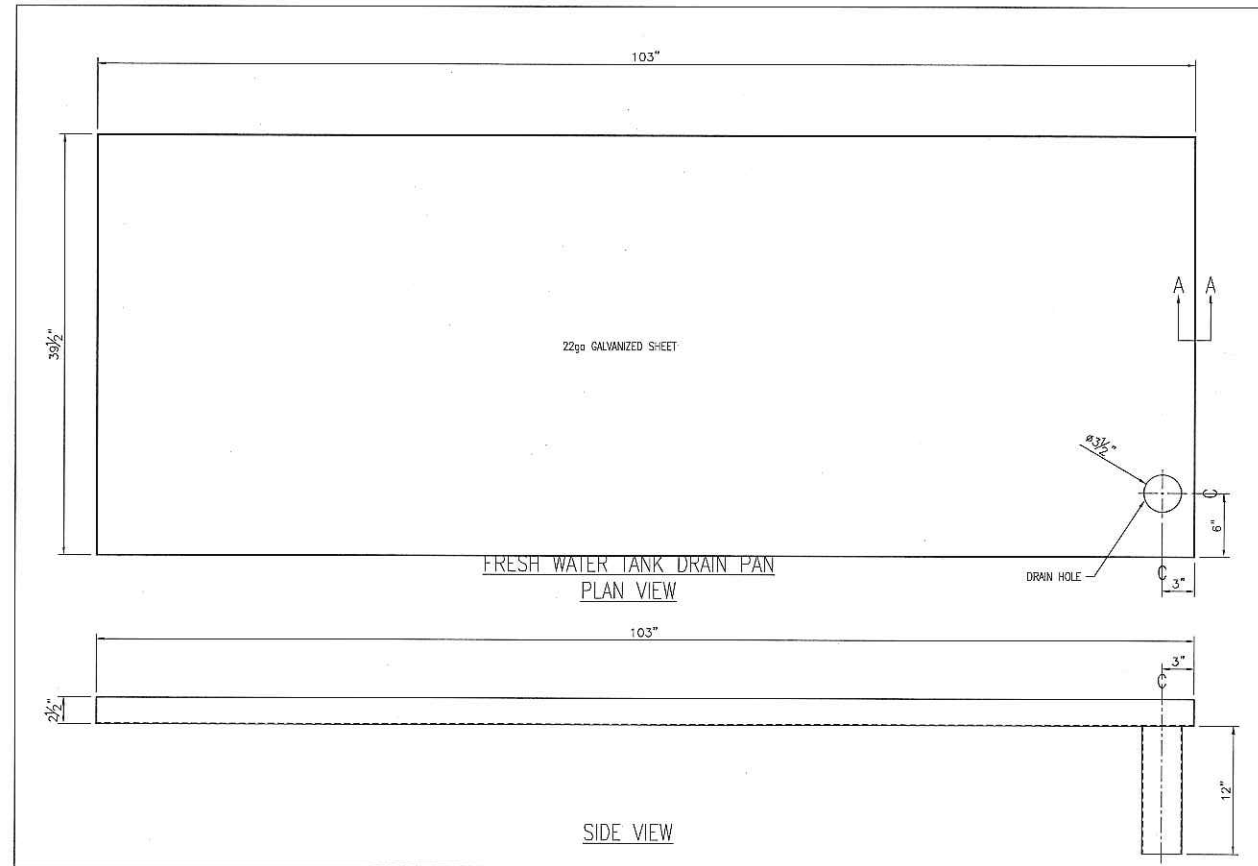
THE DRAWINGS, INFORMATION AND SUBJECT MATTER HEREOF ARE THE CONFIDENTIAL, SOLE AND EXCLUSIVE PROPERTY OF TWIN ANCHORS MARINE (1977) LTD. AND ARE NOT TO BE COPIED, REPRODUCED OR USED IN ANY NUMBER FOR ANY PURPOSE WHATSOEVER WITHOUT WRITTEN CONSENT OR DIRECTION.

675 Old Town Rd,  
P.O. Box 318, Sicamous,  
B.C., V0E 2V0  
phone: (250) 836-3802  
Fax: (250) 836-3038



**C.S.**  
APR. 19/12

DRAWN BY: KM
CHECKED BY: WR
PROJECT: MOC-01
DATE: MAR. 07/12
SCALE: AS NOTED
DRAWING #:
<b>13</b>
13 OF 18



**DRAIN PANS**  
1 1/2" = 1'-0"

VISTA Projects Limited VENDOR DRAWING/DOCUMENT SQUAD CHECK			
<b>A</b>	Reviewed without exception. Proceed with fabrication. Issue final drawings/documents.		
<b>B</b>	Reviewed except as marked and/or noted. Proceed with fabrication and resubmit drawing/document. Shipment will not be released, if any drawings/documents requiring approval, as per purchase order conditions, are at this code.		
<b>C</b>	Not accepted. Revise as marked and resubmit drawing/document for review. Shipment will not be released, if any drawings/documents requiring approval, as per purchase order conditions, are at this code.		
<b>D</b>	Not required for review. Received for information.		
Reviewed only as to general conformity with the design concept and specifications provided. The engineer does not warrant or represent that the information contained on this drawing/document is either accurate or complete. Sole responsibility for correct design, detail and dimensions shall remain with the party submitting the drawing/document.			
SDR CODE	EQUIPMENT TAG	REVIEWED BY	DATE
DG02	B-1000	P.VALLA	7 MAY 2012

**MOC-01**

WATER TANK & HWH DRAIN PANS  
OFFICE CONTROL ROOM  
MOC-01

14' x 60'

TA STRUCTURES  
DSL MODULAR  
2012 SERIES

REV#	DESCRIPTION	DATE

PROJECT TITLE: \_\_\_\_\_

THE DRAWINGS, INFORMATION AND SUBJECT MATTER HEREOF ARE THE CONFIDENTIAL, SOLE AND EXCLUSIVE PROPERTY OF TWIN ANCHORS MARINE (1977) LTD. AND ARE NOT TO BE COPIED, REPRODUCED OR USED IN ANY NUMBER FOR ANY PURPOSE WHATSOEVER WITHOUT WRITTEN CONSENT OR DIRECTION.

675 Old Town Rd,  
P.O. Box 318, Skamoose,  
B.C. V0E 2V0  
phone: (250) 836-3802  
Fax: (250) 836-3038



**C.S.**  
APR. 19/12

DRAWN BY: KM
CHECKED BY: WR
PROJECT: MOC-01
DATE: MAR. 07/12
SCALE: AS NOTED
DRAWING #: 14
14 OF 18





# CODE SHEET

VISTA Projects Limited VENDOR DRAWING/DOCUMENT SQUAD CHECK			
<b>A</b>	Reviewed without exception. Proceed with fabrication. Issue final drawings/ documents.		
<b>B</b>	Reviewed except as marked and/or noted. Proceed with fabrication and resubmit drawing/document. Shipment will not be released, if any drawings/documents requiring approval, as per purchase order conditions, are at this code.		
<b>C</b>	Not accepted. Revise as marked and resubmit drawing/document for review. Shipment will not be released, if any drawings/documents requiring approval, as per purchase order conditions, are at this code.		
<b>D</b>	Not required for review. Received for information.		
Reviewed only as to general conformity with the design concept and specifications provided. The engineer does not warrant or represent that the information contained on this drawing/document is either accurate or complete. Sole responsibility for correct design, detail and dimensions shall remain with the party submitting the drawing/document.			
SDR CODE	EQUIPMENT TAG	REVIEWED BY	DATE
DG02	B-1000	P.VALLA	7 MAY 2012

PROJECT NAME: Murphy Oil Cadette 1780-025

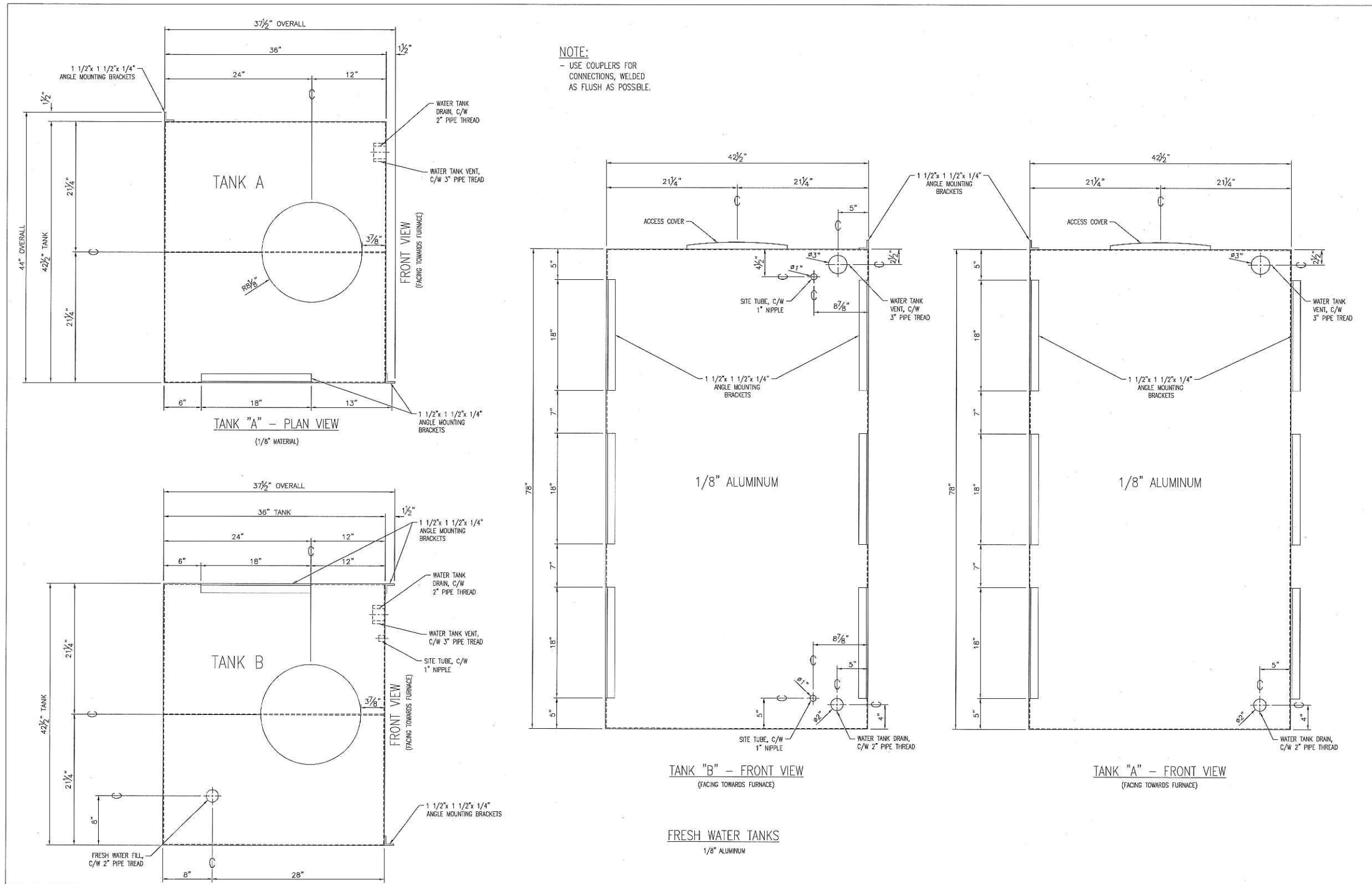
VENDOR NAME: DSC Modular

DOCUMENT NUMBER: MOC-01-15

VENDOR REVISION: A

DOCUMENT DESCRIPTION: Fresh Water Tanks Office Control Room MOC-01

VENDOR TRANSMITTAL NUMBER: # 4



**FRESH WATER TANKS**

1 1/2" = 1'-0"

**MOC-01**

FRESH WATER TANKS  
OFFICE CONTROL ROOM

MOC-01

14' x 60'

TA STRUCTURES  
DSL MODULAR  
2012 SERIES

REV#	DESCRIPTION	DATE

THE DRAWINGS, INFORMATION AND SUBJECT MATTER HEREOF ARE THE CONFIDENTIAL, SOLE AND EXCLUSIVE PROPERTY OF TWIN AND-EDS MARINE (1977) LTD. AND ARE NOT TO BE COPIED, REPRODUCED OR USED IN ANY MANNER FOR ANY PURPOSE WHATSOEVER WITHOUT WRITTEN CONSENT OR DIRECTION.

675 Old Town Rd,  
P.O. Box 318, Saco, ME,  
B.C. V0E 2Y0  
Phone: (250) 838-3802  
Fax: (250) 838-3038



SCALE: AS NOTED  
DRAWING #: **15**  
15 OF 18

**C.S.**  
APR. 19/12

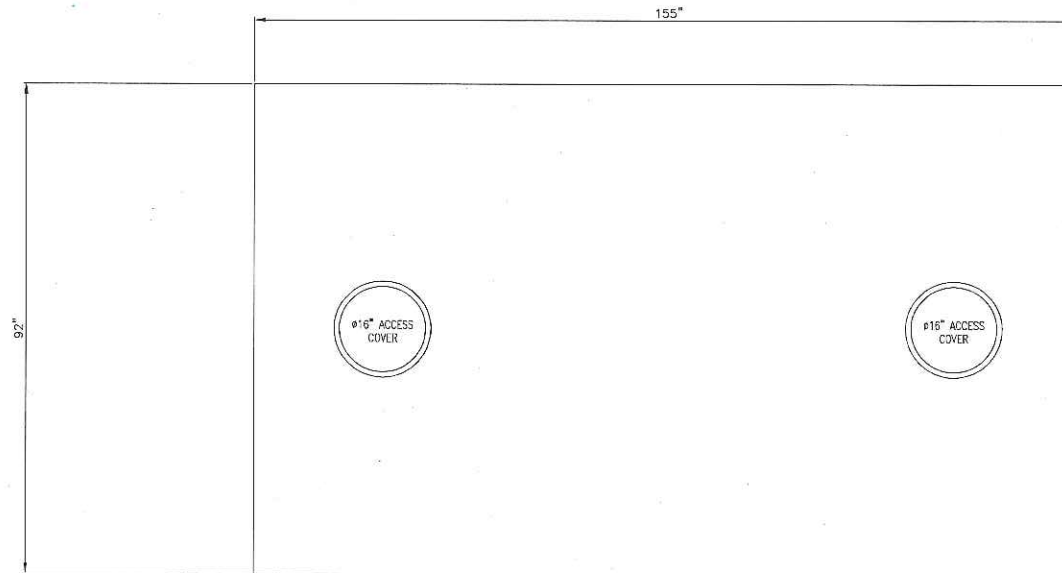
DRAWN BY: KM  
CHECKED BY: WR  
PROJECT: MOC-01  
DATE: MAR. 07/12

VISTA Projects Limited VENDOR DRAWING/DOCUMENT SQUAD CHECK			
<input type="checkbox"/>	Reviewed without exception. Proceed with fabrication. Issue final drawings/documents.	SDR CODE	DATE
<input checked="" type="checkbox"/>	Reviewed except as marked and/or noted. Proceed with fabrication and resubmit drawing/document. Shipment will not be released, if any drawings/documents requiring approval, as per purchase order conditions, are at this code.	EQUIPMENT TAG	REVIEWED BY
<input type="checkbox"/>	Not accepted. Revise as marked and resubmit drawing/document for review. Shipment will not be released, if any drawings/documents requiring approval, as per purchase order conditions, are at this code.	B-100	P. VALLA
<input type="checkbox"/>	Not required for review. Received for information.		JMAY2012
Reviewed only as to general conformity with the design concept and specifications provided. The engineer does not warrant or represent that the information contained on this drawing/document is either accurate or complete. Sole responsibility for correct design, detail and dimensions shall remain with the party submitting the drawing/document.			

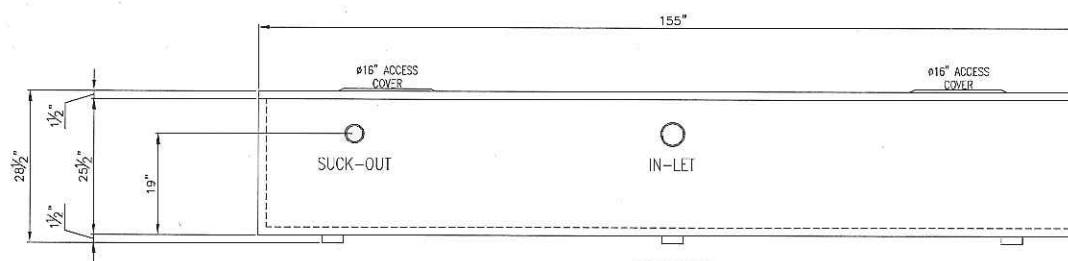


1000 GALLON SEWER TANK  
155"L x 92" W x 27"H  
394 CM x 234 CM x 70 DM

B&G WATER HOLDING TANK  
3/4" = 1'-0"



PLAN VIEW



SIDE VIEW

MOC-01

B&G WATER HOLDING TANK  
OFFICE CONTROL ROOM  
MOC-01

14' x 60'

TA STRUCTURES  
DSL MODULAR  
2012 SERIES

REV #	DESCRIPTION	DATE
REV A	UPDATED AS PER CLIENT MARK-UP'S	

PROJECT TITLE

THE DRAWINGS, INFORMATION AND SUBJECT MATTER HEREOF ARE THE CONFIDENTIAL, SOLE AND EXCLUSIVE PROPERTY OF TWIN ANCHORS MARINE (1977) LTD. AND ARE NOT TO BE COPIED, REPRODUCED OR USED IN ANY NUMBER FOR ANY PURPOSE WHATSOEVER WITHOUT WRITTEN CONSENT OR DIRECTION.

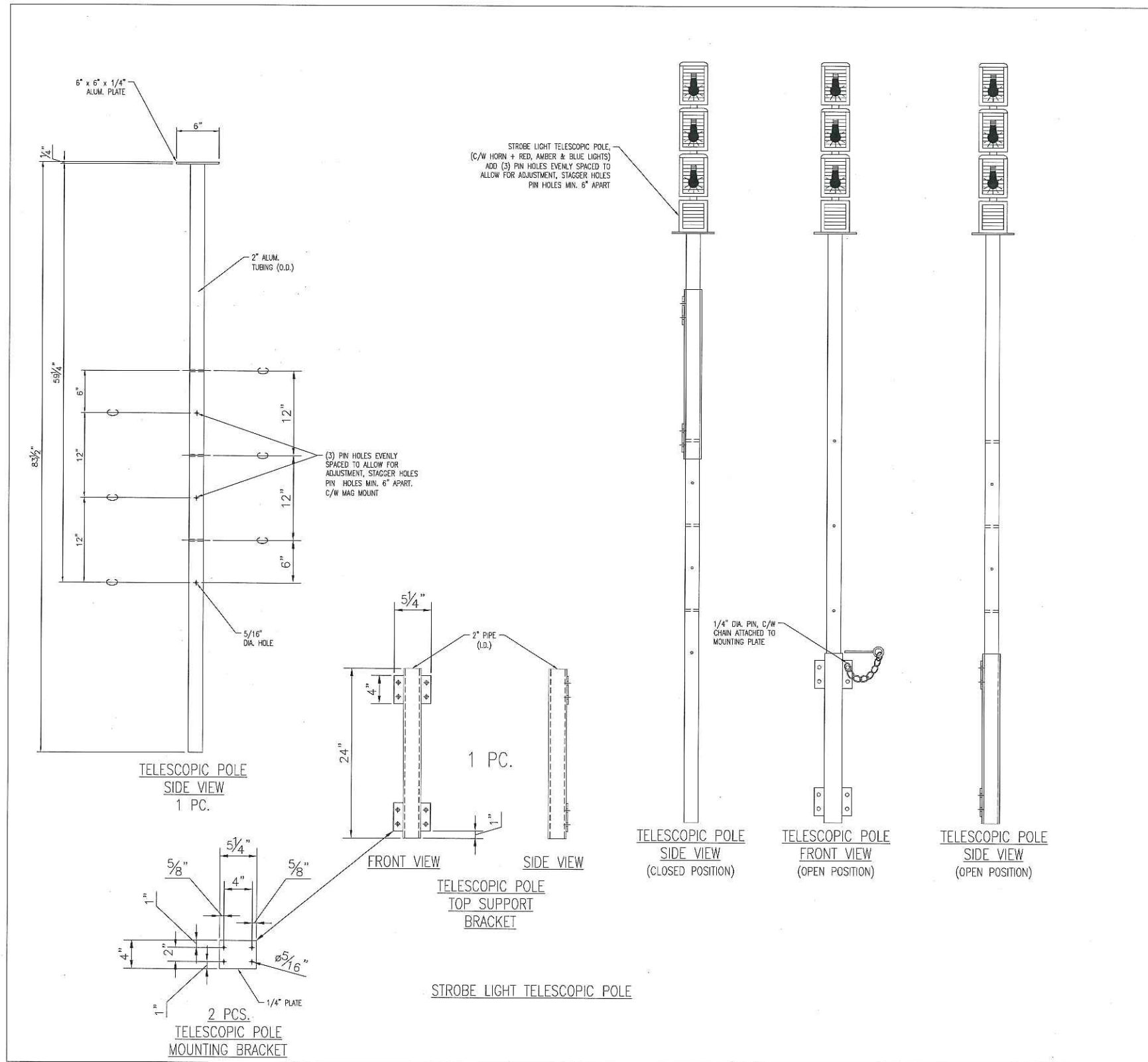
675 Old Town Rd,  
P.O. Box 318, Scamoux,  
B.C. V0E 2V0  
phone: (250) 836-3802  
Fax: (250) 836-3038



DRAWN BY: KM
CHECKED BY: WR
PROJECT: MOC-01
DATE: MAR. 07/12
SCALE: AS NOTED
DRAWING #:
16
16 OF 18

C.S.  
APR. 19/12

VISTA Projects Limited VENDOR DRAWING/DOCUMENT SQUAD CHECK			
A	Reviewed without exception. Proceed with fabrication. Issue final drawings/documents.		
B	Reviewed except as marked and/or noted. Proceed with fabrication and resubmit drawing/document. Shipment will not be released, if any drawings/documents requiring approval, as per purchase order conditions, are at this code.		
C	Not accepted. Revise as marked and resubmit drawing/document for review. Shipment will not be released, if any drawings/documents requiring approval, as per purchase order conditions, are at this code.		
D	Not required for review. Received for information.		
Reviewed only as to general conformity with the design concept and specifications provided. The engineer does not warrant or represent that the information contained on this drawing/document is either accurate or complete. Sole responsibility for correct design, detail and dimensions shall remain with the party submitting the drawing/document.			
SDR CODE	EQUIPMENT TAG	REVIEWED BY	DATE
DG02	B-1100	P.VALLA	7 MAY 2012



STROBE LIGHT TELESCOPIC POLE  
1/2" = 1'-0"

MOC-01

STROBE LIGHT TELESCOPIC POLE  
OFFICE CONTROL ROOM  
MOC-01

14' x 60'

TA STRUCTURES  
DSL MODULAR  
2012 SERIES

REV#	DESCRIPTION	DATE
REV A	UPDATED AS PER CLIENT MARK-UP'S	

THE DRAWINGS, INFORMATION AND SUBJECT MATTER HEREOF ARE THE CONFIDENTIAL, SOLE AND EXCLUSIVE PROPERTY OF TWIN ANCHORS MARINE (1977) LTD. AND ARE NOT TO BE COPIED, REPRODUCED OR USED IN ANY NUMBER FOR ANY PURPOSE WHATSOEVER WITHOUT WRITTEN CONSENT OR DIRECTION.

675 Old Town Rd,  
P.O. Box 318, Scamoux,  
B.C., V0E 2V0  
phone: (250) 836-3802  
Fax: (250) 836-3038

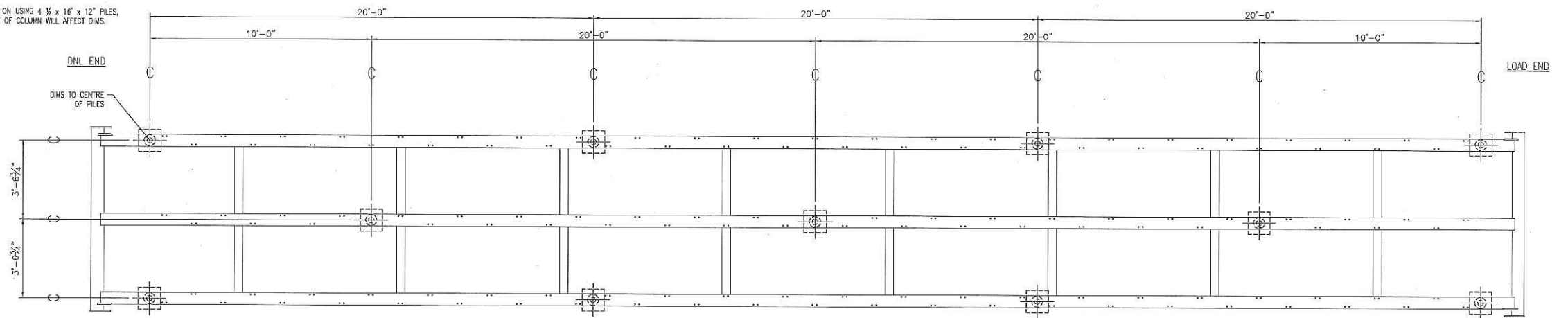


DRAWN BY: KM
CHECKED BY: WR
PROJECT: MOC-01
DATE: MAR. 07/12
SCALE: AS NOTED
DRAWING #:
17
17 OF 18

C.S.  
APR. 19/12

**NOTE:**  
 ONE CONSIDERATION DURING WELLSITE SET-UP FOR THE EXTERIOR B&G HOLDING TANK, IN ORDER TO ACCOMMODATE THE GRABY FEED B&G TANK, THE BOTTOM OF THE TANK TO SIT @ GRADE, AND WILL SLIDE PART WAY UNDER WELLSITE. THE BUILDING WILL NEED TO BE ELEVATED ABOVE B&G TANK. SEE PLUMBING DRAWING FOR SEWER LINES SLOPE. TOTAL SHIPPING WEIGHT FOR THIS WELLSITE IS APPROXIMATELY 35,000 LBS.

**NOTE:**  
 DIMENSIONS ARE BASED ON USING 4 1/2" x 16" x 12" PILES, ANY CHANGES TO STYLE OF COLUMN WILL AFFECT DIMS.

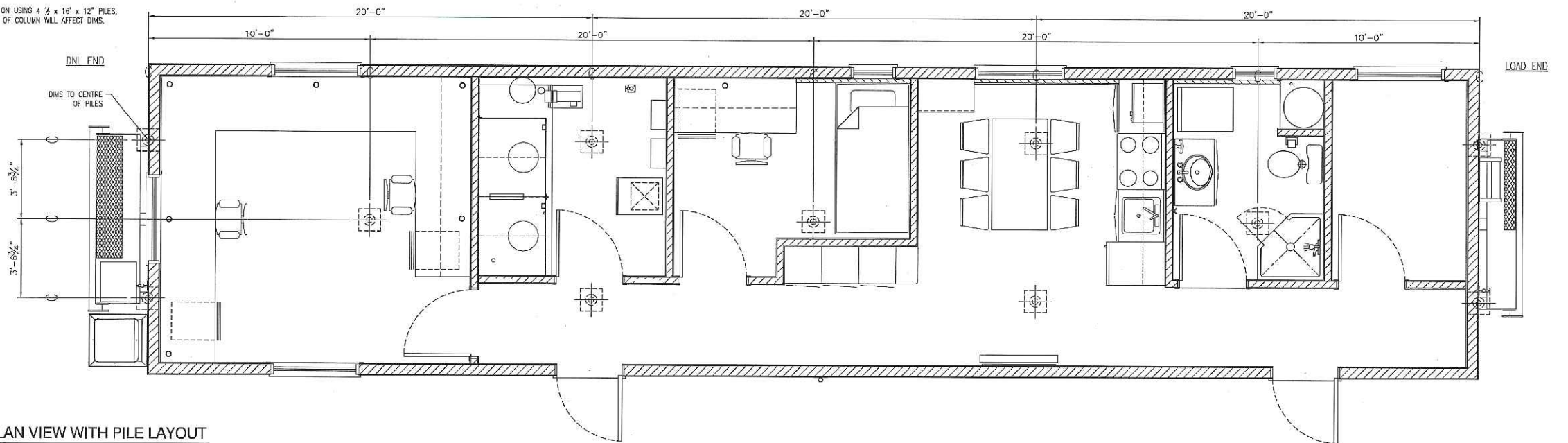


**SKID PLAN VIEW WITH PILE LAYOUT**

3/8" = 1'-0"

**PILE LOADING**  
 DEAD LOAD @ 6000LBS  
 LIVE LOAD @ 7000LBS  
 SNOW LOAD @ 3500LBS

**NOTE:**  
 DIMENSIONS ARE BASED ON USING 4 1/2" x 16" x 12" PILES, ANY CHANGES TO STYLE OF COLUMN WILL AFFECT DIMS.



**FLOOR PLAN VIEW WITH PILE LAYOUT**

3/8" = 1'-0"

VISTA Projects Limited VENDOR DRAWING/DOCUMENT SQUAD CHECK			
<b>A</b>	Reviewed without exception. Proceed with fabrication. Issue final drawings/documents.	REVIEWED BY	DATE
<b>B</b>	Reviewed except as marked and/or noted. Proceed with fabrication and resubmit drawing/document. Shipment will not be released, if any drawings/documents requiring approval, as per purchase order conditions, are at this code.	<b>P. ALLA</b>	<b>JUN 2012</b>
<b>C</b>	Not accepted. Revise as marked and resubmit drawing/document for review. Shipment will not be released, if any drawings/documents requiring approval, as per purchase order conditions, are at this code.	EQUIPMENT TAG	
<b>D</b>	Not required for review. Received for information. Reviewed only as to general conformity with the design concept and specifications provided. The engineer does not warrant or represent that the information contained on this drawing/document is either accurate or complete. Sole responsibility for correct design, detail and dimensions shall remain with the party submitting the drawing/document.	<b>B-WR</b>	
		SOR CODE	
		<b>DC#4</b>	

**MOC-01**

SKID WITH PILE LAYOUT  
 OFFICE CONTROL ROOM  
 MOC-01

14' x 60'

TA STRUCTURES  
 DSL MODULAR  
 2012 SERIES

REV#	DESCRIPTION	DATE
REV A	ADDED CENTRE ROW OF PILES	APR. 20/12

PROJECT TITLE: \_\_\_\_\_  
 THE DRAWINGS, INFORMATION AND SUBJECT MATTER HEREOF ARE THE CONFIDENTIAL, SOLE AND EXCLUSIVE PROPERTY OF TWIN ANCHORS MARINE (1977) LTD. AND ARE NOT TO BE COPIED, REPRODUCED OR USED IN ANY NUMBER FOR ANY PURPOSE WHATSOEVER WITHOUT WRITTEN CONSENT OR DIRECTION.

675 Old Town Rd,  
 P.O. Box 518, Scamou, B.C. V0E 2V0  
 phone: (250) 836-3802  
 Fax: (250) 836-3038



**C.S.**  
 APR. 19/12

DRAWN BY: KM
CHECKED BY: WR
PROJECT: MOC-01
DATE: MAR. 07/12
SCALE: AS NOTED
DRAWING #:
<b>18</b>
18 OF 17



# CODE SHEET

VISTA Projects Limited			
VENDOR DRAWING/DOCUMENT SQUAD CHECK			
<b>A</b>	Reviewed without exception. Proceed with fabrication. Issue final drawings/documents.		
<b>B</b>	Reviewed except as marked and/or noted. Proceed with fabrication and resubmit drawing/document. Shipment will not be released, if any drawings/documents requiring approval, as per purchase order conditions, are at this code.		
<b>C</b>	Not accepted. Revise as marked and resubmit drawing/document for review. Shipment will not be released, if any drawings/documents requiring approval, as per purchase order conditions, are at this code.		
<b>D</b>	Not required for review. Received for information.		
Reviewed only as to general conformity with the design concept and specifications provided. The engineer does not warrant or represent that the information contained on this drawing/document is either accurate or complete. Sole responsibility for correct design, detail and dimensions shall remain with the party submitting the drawing/document.			
SDR CODE	EQUIPMENT TAG	REVIEWED BY	DATE
DG02/13	B-1000	P.VALLA	14 MAY 2012

PROJECT NAME: Murphy Oil Cadolte 1780-025

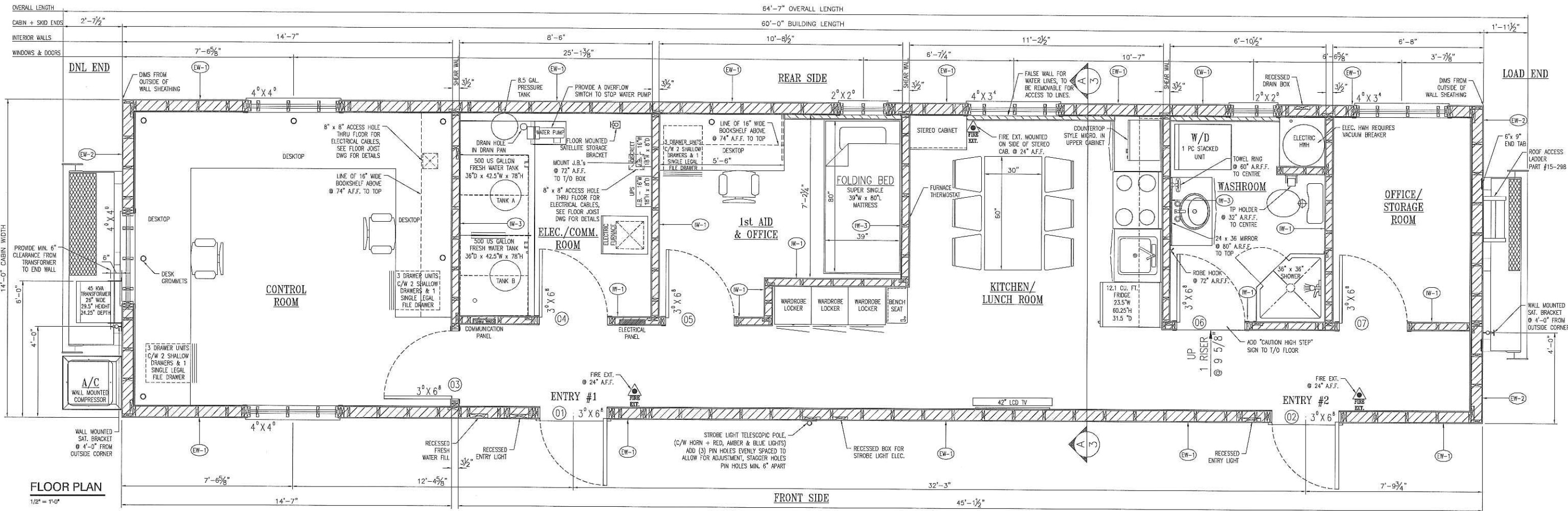
VENDOR NAME: DSL Modular

DOCUMENT NUMBER: MOC-01-2

VENDOR REVISION: C

DOCUMENT DESCRIPTION: Preliminary Floor Plan Office Control Room MOC-01

VENDOR TRANSMITTAL NUMBER: # 4



MOC-01

PART #	ITEM	QTY	BUILT BY	PART #	ITEM	QTY	BUILT BY
15-100	PLATFORM SERVICE LOAD END - RIGHT HAND	N/A	TAS	30-103	MOUNT VOLT METER PLATE	2	EXCEL
15-103	A/C PROTECTION SHIELD (1/8" ALUM)	N/A	EXCEL	30-106	ELECTRICAL CORD HOLDER END	N/A	TAS
15-140	ROOF MAG MOUNT	1	TAS	30-107	ELECTRICAL CORD POLE	N/A	TAS
15-141	CORD POLE MAG MOUNT	1	TAS	55-109	EXT. KITCHEN SINK LIGHT W/ ENHANCED COORDINATE VENT - FIBREGLASS	N/A	TAC
15-298	ROOF ACCESS LADDER	1	TAS	35-117	H.W.T. DRAIN PAN	N/A	EXCEL
20-100	U-BOLT SINGLE	135	35-118	HWH RECESSED EXTERIOR WALL MOUNTED VENT BOX	N/A	EXCEL	
20-101	U-BOLT DOUBLE	N/A	35-119	HWH RECESSED EXTERIOR WALL MOUNTED VENT BOX (CORNER BRACKET EXTERIOR & INTERIOR VENT) - FIBREGLASS	N/A	TAC	
20-107	RECESSED FIREPLACE VENT BOX	N/A	EXCEL	45-110	PLATFORM SERVICE ACCESS LADDER TO ROOF	N/A	TAS
55-104	FRESH WATER FILL BOX - FIBREGLASS	1	TAC	45-111	STEEL SAT. ANT. MOUNT (ROOF MOUNT)	2	TAS
55-105	TYPICAL RECESSED DRAIN BOX - FIBREGLASS	1	TAC	45-112-REV A	SAT. ANT. STORAGE MOUNT (PLATFORM)	N/A	TAS
25-103	FRESH WATER TANK - CORNER MOUNT	N/A	EXCEL	45-140	PLATFORM SERVICE ACCESS LADDER	N/A	TAS
25-104	PROPANE BOTTLE TIE-DOWNS	N/A	EXCEL	45-147	SAT. ANT. STORAGE MOUNT (PLATFORM RAILINGS)	N/A	TAS
STORE BOUGHT	BLACK & GREY WATER TANK	1	EXCEL	50-100	DRIP FLASHING - DOORS & WINDOWS, @ 8' LENGTHS	4	PCPS
25-110	BRACKET FRESH WATER TANK	1	TAS	50-109	SHUTTERS WINDOW 48x48 (PANO HINGES ON SIDES)	N/A	EXCEL/TAS
55-106	HOT GAS DUCT RECESSED BOX - FIBREGLASS (TO BE USED FOR ELECTRICAL CONNECTION ON THIS UNIT)	1	TAC	50-191	SHUTTERS WINDOW 48x48 (PANO HINGES ON SIDES)	N/A	EXCEL/TAS
NEW DESIGN	HWT DRAIN PAN	1	EXCEL	50-192	SHUTTERS WINDOW 60x60 (PANO HINGES ON SIDES)	N/A	EXCEL/TAS
25-123 REV B	PUMP TANK	N/A	35-118	TRAY 60" 18" 25" x 3 1/2" AL - SLIDE OUT DESIGN	N/A	EXCEL/TAS	
25-124	DRYER STAND	N/A	TAS	50-207	880 BRACKET ALUM - SHING OUT DESIGN	N/A	TAS
25-126	HWT BRACKET	1	TAS	50-195	FALL RESTRAINT END BRACKET	2	EXCEL/TAS
25-127	HWT BRACKET	1	TAS	50-196	PROPANE STORAGE DOORS	N/A	EXCEL/TAS
25-128	FRESH WATER TANK - SINGLE WALL MOUNT	N/A	EXCEL	50-197	BOOT DRAIN & TRAY ASSEMBLY	N/A	EXCEL/TAS
25-129	5" RECESSED DRAIN BOX	N/A	EXCEL	50-198	BRACKET SATELLITE STORAGE STEEL - BOOT TRAY	N/A	TAS
25-163	FRESH WATER TANK DRAIN PAN (CORNER TANK STYLE)	N/A	EXCEL	15-417	BRACKET SATELLITE STORAGE ALUMINUM - FLOOR MOUNTED	1	TAS
35-101	FRESH WATER TANK DRAIN PAN (CORNER TANK STYLE)	N/A	EXCEL	50-108	FALL RESTRAINT INTERMEDIATE BRACKET	1	TAS
NEW DESIGN	FRESH WATER TANK DRAIN PAN	1	EXCEL	50-113	BOX LINER BBO STORAGE	N/A	EXCEL
30-100	ELECTRICAL CORD STORAGE BRACKETS	N/A	TAS	50-144	BOOT DRAIN - TRAY ONLY	N/A	EXCEL
55-107	EXT. LIGHT ENTRY OR LOW WATER LEVEL LIGHT BOX - FIBREGLASS	2	TAC	50-155	A/C WALL MOUNTING BRACKET	1	EXCEL/TAS
30-102	EXTERIOR ELECTRICAL CORD STORAGE BOX	N/A	EXCEL/TAS	50-162	19" TV - 30" ALUM. ANGLE BRACKET	N/A	EXCEL
17369	ROOF CAP/PROTECTION ON ROOF EDGE	N/A	EXCEL	50-161	19" TV - 45" ALUM. ANGLE BRACKET	N/A	EXCEL
15684	BOTTOM PERIMETER 1.5" x 1.5" x 1/8" ALUM. ANGLE	148	PT.	50-160	26" TV - 30" ALUM. ANGLE BRACKET	N/A	EXCEL
11778	EXTERIOR CORNER ANGLE/CAP - CHECKER PLATE	4	PCS	50-159	26" TV - 45" ALUM. ANGLE BRACKET	N/A	EXCEL
17985	SAT. - 18" LONG EXTENSION PIPE	1	TAS	50-158	PROPANE BOTTLE HOLDER (FOR SMALL BOTTLES)	N/A	TAS
25-164	FRESH WATER TANK VENT CAP	1	TAS	50-176	REMOVABLE HANDRAIL - SLIDE-OUT LANDING	N/A	TAS
50-209	EXTERIOR DOOR CHECKER PLATED KICK PLATE	2	EXCEL	NEW DESIGN	22" TV - 15 1/2" ALUM. ANGLE BRACKET	N/A	EXCEL
50-210	UNIT TO UNIT BUMBERS - STEEL	N/A	JAB	30-124	35" TV - 30" ALUM. ANGLE BRACKET	N/A	EXCEL
50-211	DOOR THRESHOLD COVER - 32" WIDE - USED FOR 38" DOORS	N/A	EXCEL	17756	REMOVABLE HANDRAIL - SLIDE-OUT LANDING	N/A	TAS
50-212	DOOR THRESHOLD COVER - 26" WIDE - USED FOR 30" DOORS	N/A </tr					

DOOR NO.	SIZE WxH	MATERIAL	RETURN AIR VENT OVER DOOR	LOCATION	DOOR CONST.	FIRE-RATED	DOOR SWING	WINDOW INCLUDED
01	3'-0" x 6'-8"	EXTERIOR DOOR	NO VENT	ENTRY #1	INSULATED	N/A	RHR	TRUSS VERTICAL SLIDER
02	3'-0" x 6'-8"	EXTERIOR DOOR	NO VENT	ENTRY #2	INSULATED	N/A	RHR	TRUSS VERTICAL SLIDER
03	3'-0" x 6'-8"	INTERIOR DOOR	20" x 8"	OFFICE CONTROL	SOLID CORE	N/A	LH	N/A
04	3'-0" x 6'-8"	INTERIOR DOOR	30" x 8"	ELEC./COMM. RM.	SOLID CORE	N/A	LH	N/A
05	3'-0" x 6'-8"	INTERIOR DOOR	20" x 8"	1st Aid ROOM	SOLID CORE	N/A	LH	N/A
06	3'-0" x 6'-8"	INTERIOR DOOR	NO VENT	WASHROOM	HOLLOW CORE	N/A	LH	N/A
07	3'-0" x 6'-8"	INTERIOR DOOR	20" x 8"	OFFICE/STORAGE	HOLLOW CORE	N/A	LH	N/A

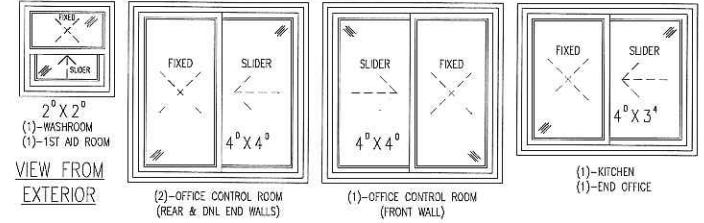
**NOTE:**  
GIVE CONSIDERATION DURING WELLSITE SET-UP FOR THE EXTERIOR B&G HOLDING TANK. IN ORDER TO ACCOMMODATE THE GRAVITY FEED B&G TANK, THE BOTTOM OF THE TANK TO SIT @ GRADE, AND WILL SLIDE PART WAY UNDER WELLSITE. THE BUILDING WILL NEED TO BE ELEVATED ABOVE B&G TANK. SEE PLUMBING DRAWING FOR SEWER LINES SLOPE. TOTAL SHIPPING WEIGHT FOR THIS WELLSITE IS APPROXIMATELY 35,000 LBS.

# MOC-01

FLOOR PLAN  
OFFICE CONTROL ROOM  
MOC-01

14' x 60'

INTERIOR WALL TYPES	MOC-01	EXTERIOR WALL TYPES
INTERIOR WALL TYPE '1' 1/2" TYPE 'X' VINYL CLAD GYPROC 3 1/2" WOOD STUD @ 16" O.C. BATT INSULATION 1/2" TYPE 'X' VINYL CLAD GYPROC	(IW-1)	EXTERIOR WALL TYPE '1' EXTERIOR METAL CLADDING BUILDING PAPER 7/16" OSB SHEATHING 5 1/2" WOOD STUD @ 24" O/C BATT INSULATION POLY V.B. 1/4" TYPE 'X' VINYL CLAD GYPROC
INT. WALL TYPE '2' 1/2" TYPE 'X' VINYL CLAD GYPROC 3 1/2" WOOD STUD @ 16" O.C. BATT INSULATION 5/8" TYPE 'X' VINYL CLAD GYPROC	(IW-2)	EXTERIOR WALL TYPE '2' EXTERIOR METAL CLADDING BUILDING PAPER 7/16" OSB SHEATHING 5 1/2" WOOD STUD @ 24" O/C BATT INSULATION POLY V.B. 3/8" PLYWOOD 5/8" TYPE 'X' VINYL CLAD GYPROC
INT. WALL TYPE '3' 1/8" WALL PANEL 3/8" PLYWOOD BATT INSULATION 3 1/2" WOOD STUD @ 16" O.C. 1/2" TYPE 'X' VINYL CLAD GYPROC	(IW-3)	EXTERIOR WALL TYPE '3' EXTERIOR METAL CLADDING BUILDING PAPER 7/16" OSB SHEATHING 5 1/2" WOOD STUD @ 24" O/C BATT INSULATION POLY V.B. 3/8" PLYWOOD 5/8" TYPE 'X' VINYL CLAD GYPROC
INT. WALL TYPE '4' 5/8" TYPE 'X' VINYL CLAD GYPROC 3/8" PLYWOOD BATT INSULATION 3 1/2" WOOD STUD @ 16" O.C. 1/2" TYPE 'X' VINYL CLAD GYPROC	(IW-4)	EXTERIOR WALL TYPE '4' EXTERIOR METAL CLADDING BUILDING PAPER 7/16" OSB SHEATHING 5 1/2" WOOD STUD @ 24" O/C BATT INSULATION POLY V.B. 1/4" TYPE 'X' VINYL CLAD GYPROC 1/8" DPI BOARD
INT. WALL TYPE '5' 3/8" PLYWOOD BATT INSULATION 3 1/2" WOOD STUD @ 16" O/C 1/2" TYPE 'X' VINYL CLAD GYPROC	(IW-5)	EXTERIOR WALL TYPE '5' EXTERIOR METAL CLADDING BUILDING PAPER 7/16" OSB SHEATHING 5 1/2" WOOD STUD @ 24" O/C BATT INSULATION POLY V.B. 1/4" TYPE 'X' VINYL CLAD GYPROC 1/8" DPI BOARD
INT. WALL TYPE '6' 1/8" DPI BOARD 3/8" PLYWOOD BATT INSULATION 3 1/2" WOOD STUD @ 16" O.C. 5/8" TYPE 'X' VINYL CLAD GYPROC	(IW-6)	EXTERIOR WALL TYPE '6' EXTERIOR METAL CLADDING BUILDING PAPER 7/16" OSB SHEATHING 5 1/2" WOOD STUD @ 24" O/C BATT INSULATION POLY V.B. 1/4" TYPE 'X' VINYL CLAD GYPROC 1/8" DPI BOARD
INT. WALL TYPE '7' 1/8" BARKER BOARD 3/8" PLYWOOD 3 1/2" WOOD STUD @ 16" O.C. 1/8" BARKER BOARD	(IW-7)	



C.S.  
APR. 24/12

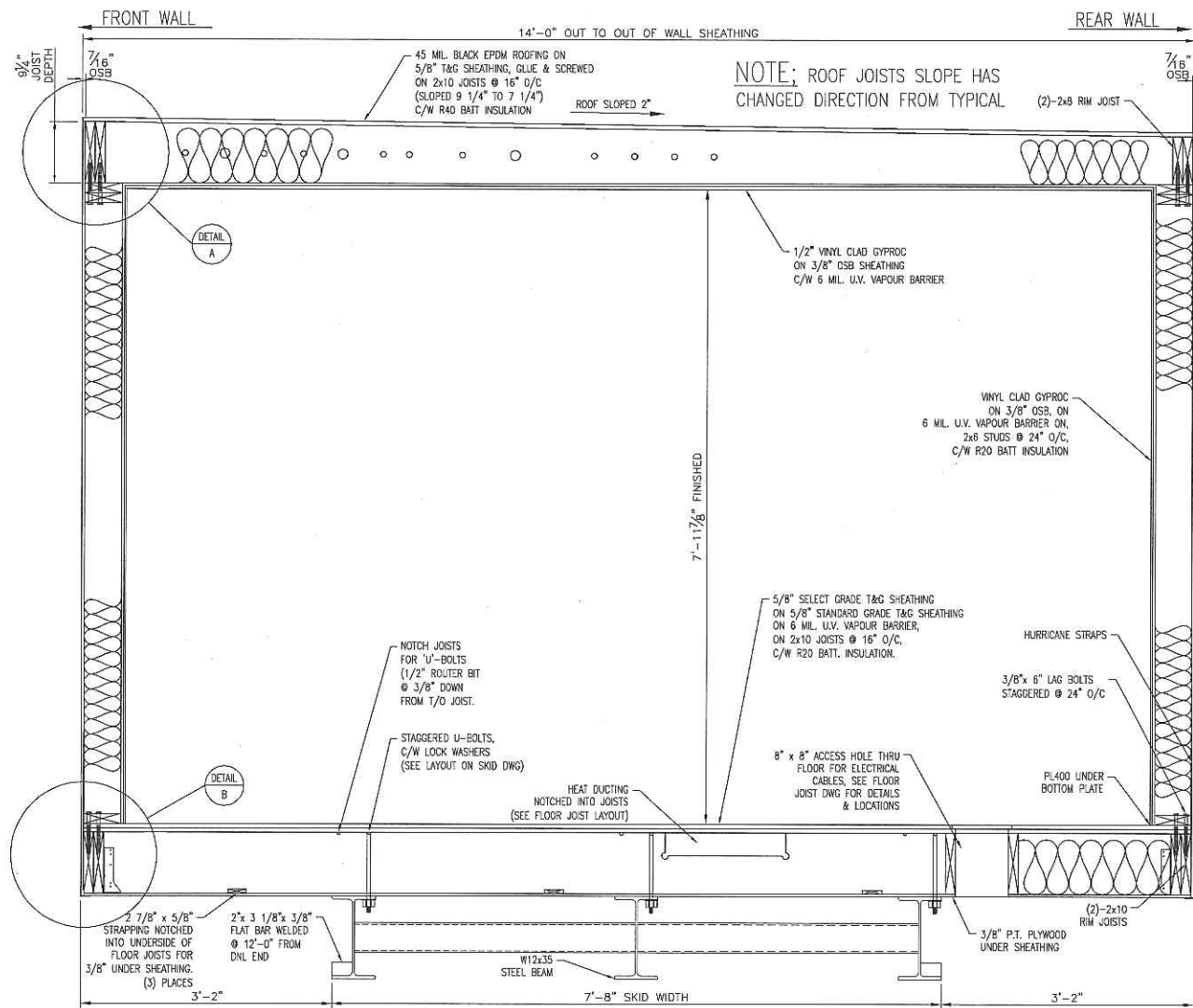
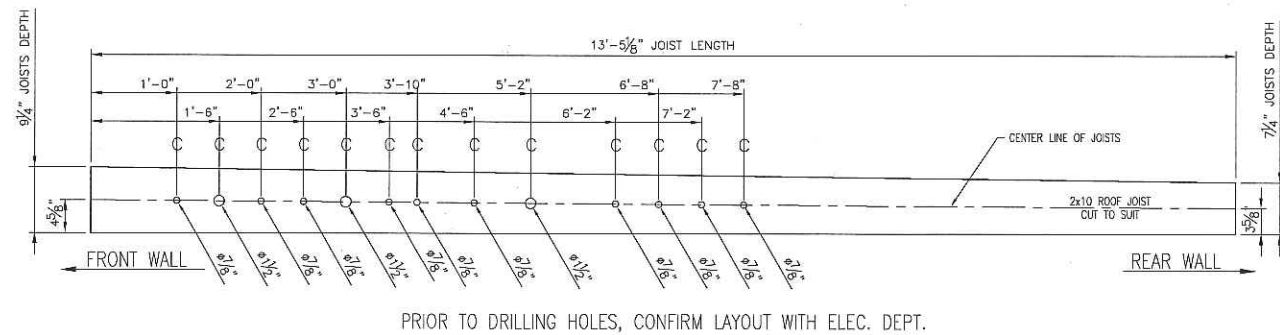
DRAWN BY: KM  
CHECKED BY: WR  
PROJECT: MOC-01  
DATE: MAR. 07/12  
SCALE: AS NOTED  
DRAWING #: 2  
2 OF 18



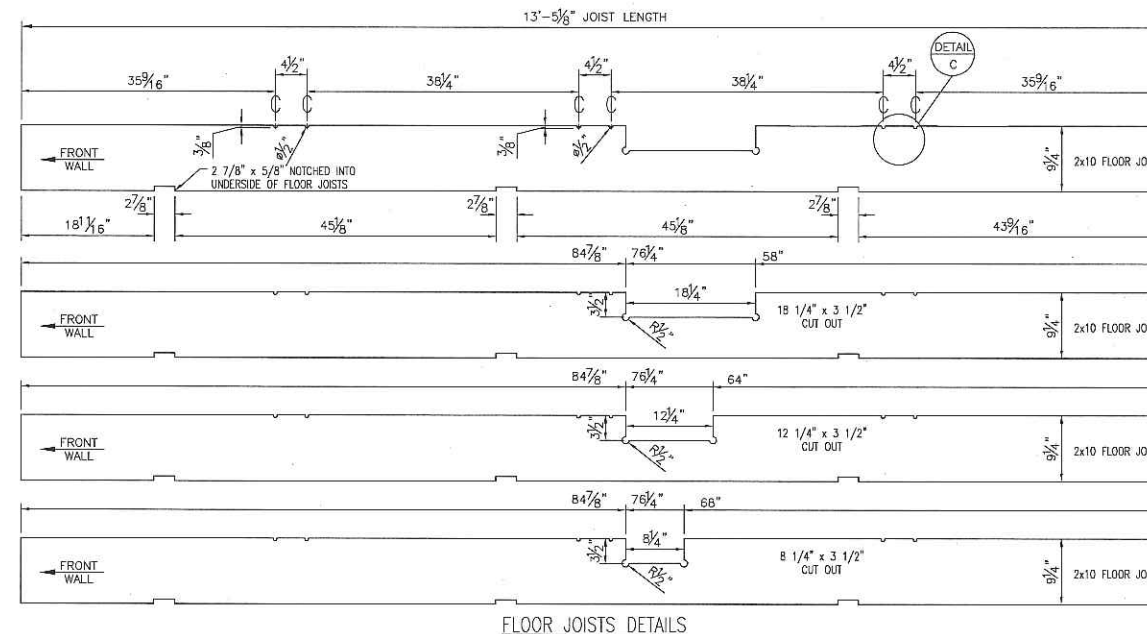
REV # DESCRIPTION DATE  
REV A ADDED SINGLE BOWL SINK, MOVED STROBE LIGHT POLE, ADDED TRANSFORMER APR. 08/12  
REV B UPDATED AS PER CLIENT MARK-UP'S APR. 10/12  
REV C UPDATED TRANSFORMER SIZE APR. 26/12

THE DRAWINGS, INFORMATION AND SUBJECT MATTER HEREOF ARE THE CONFIDENTIAL, SOLE AND EXCLUSIVE PROPERTY OF TWIN ANCHORS MARINE (1977) LTD. AND ARE NOT TO BE COPIED, REPRODUCED OR USED IN ANY MANNER FOR ANY PURPOSE WHATSOEVER WITHOUT WRITTEN CONSENT OR DIRECTION.

675 Old Town Rd.  
P.O. Box 818, Sissano,  
B.C. V0E 2V0  
phones: (250) 836-3802  
Fax: (250) 836-3038



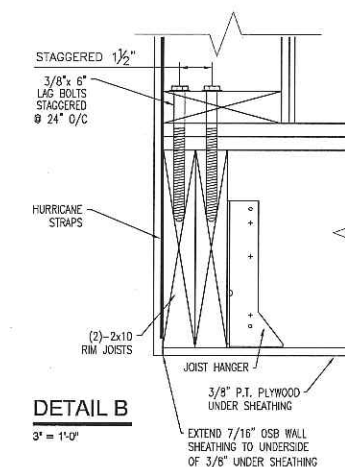
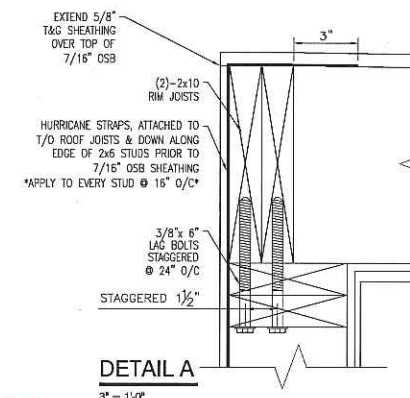
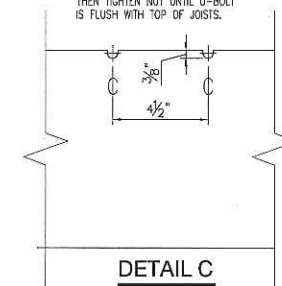
SECTION A-A  
1" = 1'-0"



FLOOR JOISTS  
1" = 1'-0"

NOTE: ROUTER THE NOTCHES INTO THE JOISTS AFTER THEY HAVE BEEN SET ON THE SKID, NOTCH WHERE THE U-BOLTS ARE TO BE INSTALLED ONLY.

USE A 1/2" ROUTER BIT, AND CUT INTO TOP OF JOIST 3/8", THEN TIGHTEN NUT UNTIL U-BOLT IS FLUSH WITH TOP OF JOISTS.



**VISTA Projects Limited**  
**VENDOR DRAWING/DOCUMENT SQUAD CHECK**

**A** Reviewed without exception. Proceed with fabrication. Issue final drawings/documents.

**B** Reviewed except as marked and/or noted. Proceed with fabrication and resubmit drawing/document. Shipment will not be released, if any drawings/documents requiring approval, as per purchase order conditions, are at this code.

**C** Not accepted. Revise as marked and resubmit drawing/document for review. Shipment will not be released, if any drawings/documents requiring approval, as per purchase order conditions, are at this code.

**D** Not required for review. Received for information.

Reviewed only as to general conformity with the design concept and specifications provided. The engineer does not warrant or represent that the information contained on this drawing/document is either accurate or complete. Sole responsibility for correct design, detail and dimensions shall remain with the party submitting the drawing/document.

SDR CODE	EQUIPMENT TAG	REVIEWED BY	DATE
DC05	B-1000	P.VALLA	7 MAY 2012

MOC-01

SECTION & DETAILS  
OFFICE CONTROL ROOM  
MOC-01

14' x 60'

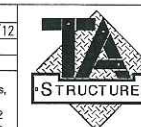
TA STRUCTURES  
DSL MODULAR  
2012 SERIES

REV#	DESCRIPTION	DATE
REV A	UPDATED AS PER CLIENT MARK-UP'S	APR. 10/12

PROJECT TITLE: TA STRUCTURES

THE DRAWINGS, INFORMATION AND SUBJECT MATTER HEREOF ARE THE CONFIDENTIAL, SOLE AND EXCLUSIVE PROPERTY OF TWIN ANCHORS MARINE (1977) LTD. AND ARE NOT TO BE COPIED, REPRODUCED OR USED IN ANY NUMBER FOR ANY PURPOSE WHATSOEVER WITHOUT WRITTEN CONSENT OR DIRECTION.

675 Old Town Rd.,  
P.O. Box 318, Stouffville,  
B.C., V0E 2V0  
Phone: (250) 836-3802  
Fax: (250) 836-3038



SCALE: AS NOTED  
DRAWING #: 3  
3 OF 18

C.S.  
APR. 19/12

DRAWN BY: KM  
CHECKED BY: WR  
PROJECT: MOC-01  
DATE: MAR. 07/12





# CODE SHEET

VISTA Projects Limited VENDOR DRAWING/DOCUMENT SQUAD CHECK			
<b>A</b>	Reviewed without exception. Proceed with fabrication. Issue final drawings/documents.		
<b>B</b>	Reviewed except as marked and/or noted. Proceed with fabrication and resubmit drawing/document. Shipment will not be released, if any drawings/documents requiring approval, as per purchase order conditions, are at this code.		
<b>C</b>	Not accepted. Revise as marked and resubmit drawing/document for review. Shipment will not be released, if any drawings/documents requiring approval, as per purchase order conditions, are at this code.		
<b>D</b>	Not required for review. Received for information.		
Reviewed only as to general conformity with the design concept and specifications provided. The engineer does not warrant or represent that the information contained on this drawing/document is either accurate or complete. Sole responsibility for correct design, detail and dimensions shall remain with the party submitting the drawing/document.			
SDR CODE	EQUIPMENT TAG	REVIEWED BY	DATE
DC04	B-1000	P.VALLA	7 MAY 2012

PROJECT NAME: Murphy Oil Cadotte 1780-025

VENDOR NAME: DSC Modular

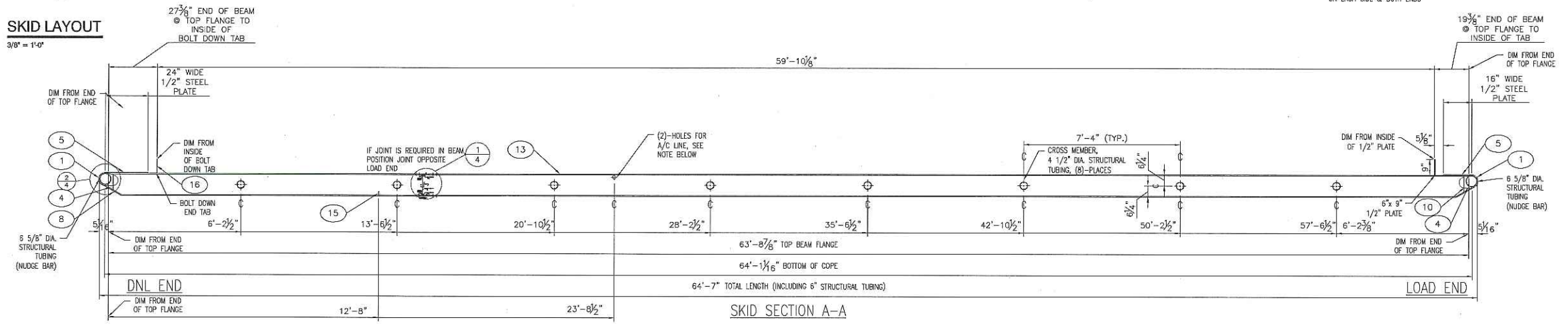
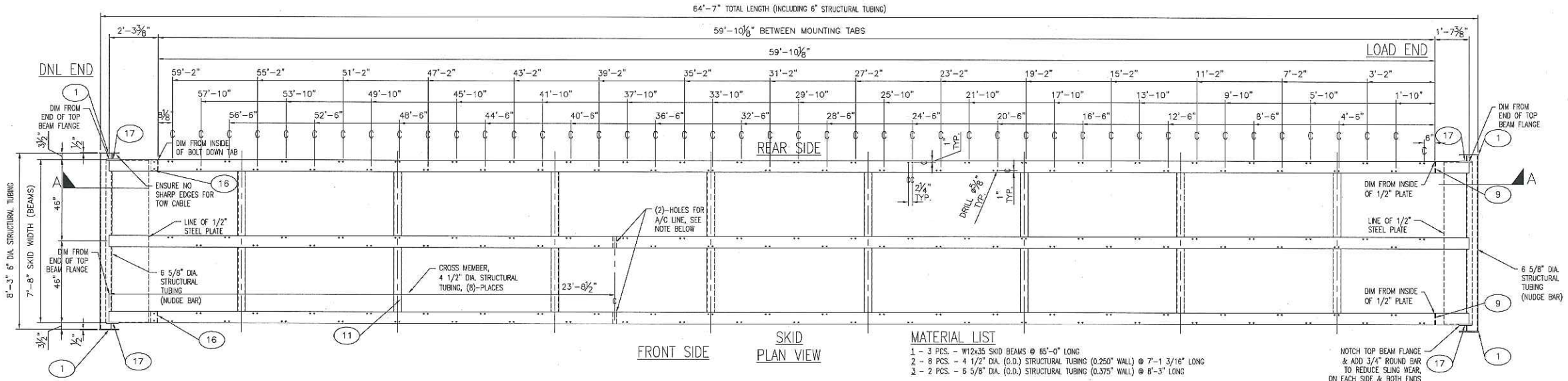
DOCUMENT NUMBER: MOC-01-4

VENDOR REVISION: A

DOCUMENT DESCRIPTION: Skid Layout office Control Room MOC-1

VENDOR TRANSMITTAL NUMBER: # 4

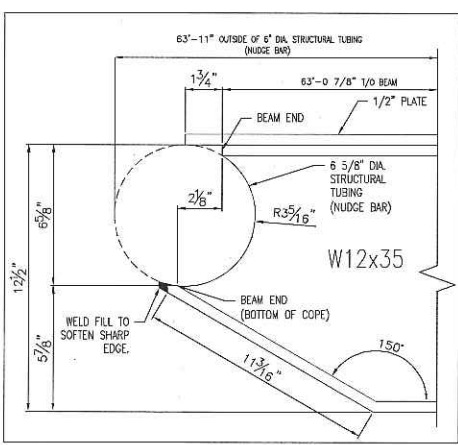
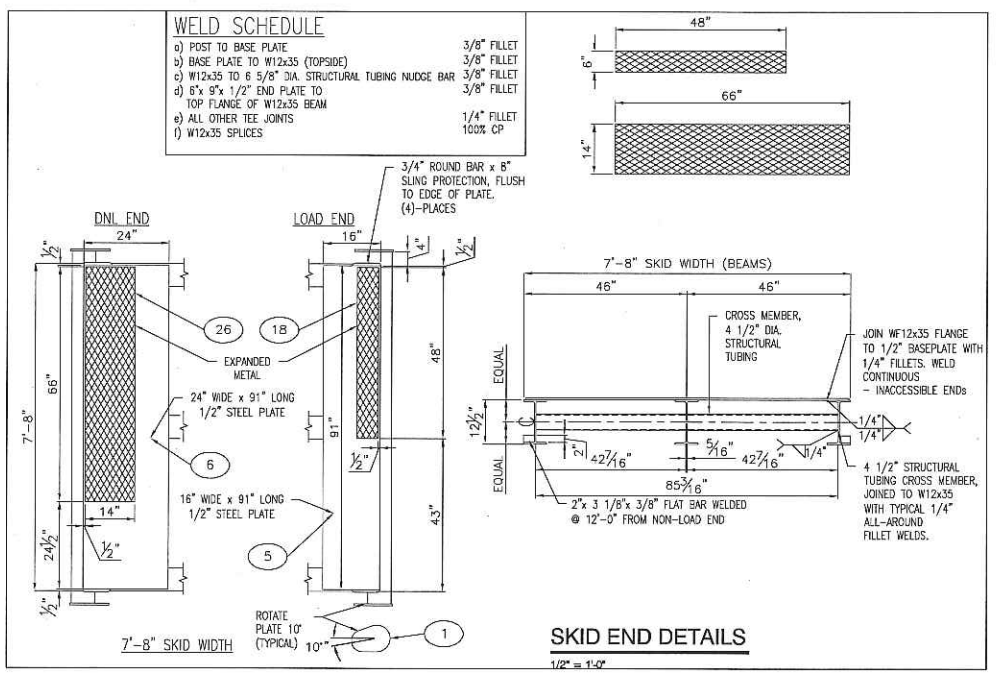
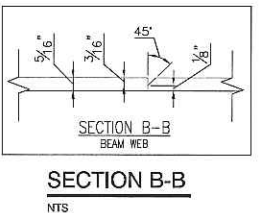
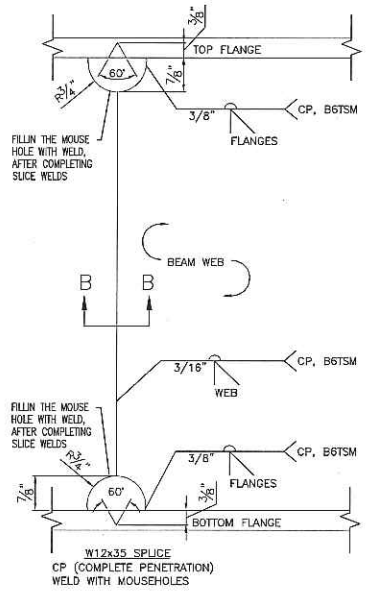
40 SKID LAYOUT				MOC-01	
(1) REQ'D				3/8"=1'-0"	
MK	QTY	TAMM NO.	DESCRIPTION	SIZE	WEIGHT
1	4	15-104	PLATE SKID SLING PIPE		
2	N/A	15-105	PLATE SKID NUJGE BAR - 12" W GUSSET		
3	N/A	15-174	PLATE SKID NUJGE BAR - 8" W GUSSET		
4	4	15-106	PLATE SKID SLING PIPE GUSSET		
5	1	15-418	1/2" PLATE SKID 91" x 16" - LOAD END		
6	1	NEW DESIGN	1/2" PLATE SKID 91" x 24" - DNL END		
7	N/A	15-109	PLATE SKID NUJGE BAR - PIPE CAP		
8	6	15-110	PLATE SKID BEAM LEAD IN		
9	2	15-111	PLATE SKID JOIST MOUNTING - LOAD END		
10	4	15-112	PLATE SKID NUJGE BAR - GUSSET BACKING		
11	8	18338	4 1/2" DIA. STRUCTURAL TUBING	7-1 3/16"	
12	N/A	18339	6 5/8" DIA. STRUCTURAL TUBING	3'-11 1/4"	
13	195	13360	BEAM STEEL W12x35x65FT		
14	N/A	15-225	PLATE SKID SLIDE OUT SUPPORT		
15	2	15-226	PLATE SKID PICK UP POINT		
16	2	15-332	WALL END TAB - DNL END		
17	4	15-423	PROTECTION SLING 3/4" ROUND BAR	8"	
18	1	15-295	3/4-9 RAISED EXPANDED METAL - LOAD END		
19	N/A	15-295	3/4-9 RAISED EXPANDED METAL - LOAD END		
20	N/A	15-415	3/4-9 RAISED EXPANDED METAL - LOAD END		
21	N/A	15-416	SLIDE OUT LANDING 26x60x12"W - 7'-8" SKID		
22	N/A	15-398	SLIDE OUT LANDING 26x60x14"W - 7'-8" SKID		
23	N/A	15-204	SLIDE OUT LANDING 26x60x12"W - 8'-0" SKID		
24	N/A	15-222	SLIDE OUT LANDING 26x60x14"W - 8'-0" SKID		
25	2	18340	6 5/8" DIA. STRUCTURAL TUBING	8'-3"	
26	1	NEW DESIGN	3/4-9 RAISED EXPANDED METAL - DNL END		



**MATERIAL LIST**

- 3 PCS - W12x35 SKID BEAMS @ 65'-0" LONG
- 8 PCS - 4 1/2" DIA. (O.D.) STRUCTURAL TUBING (0.250" WALL) @ 7'-1 3/16" LONG
- 2 PCS - 6 5/8" DIA. (O.D.) STRUCTURAL TUBING (0.375" WALL) @ 8'-3" LONG

NOTCH TOP BEAM FLANGE & ADD 3/4" ROUND BAR TO REDUCE SLING WEAR ON EACH SIDE & BOTH ENDS



**NOTE:**  
CONFIRM HOLE LOCATIONS WITH PLUMBING DEPT. PRIOR TO INSTALLING HOLES.  
THE MAX. HOLE DIA. THAT SHOULD BE USED IS 2", AND THERE SHOULD BE APPROX. 3/8" CLEARANCE ON ALL SIDES. THE MAX. HEIGHT FROM THE TOP OF BEAM TO THE CENTER OF THE HOLE IS 1 3/4", AND THE CENTER OF THE HOLE SHOULD NOT BE IN BOTTOM HALF OF THE BEAM.

APPLIES TO W12x28 BEAM & W12x35 BEAM

HOLE FOR PROPANE & A/C LINES THRU SKID BEAM

1 DETAIL  
4 NTS

2 DETAIL  
4 3"=1'-0"

**MOC-01**

SKID LAYOUT  
OFFICE CONTROL ROOM  
MOC-01

14' x 60'

TA STRUCTURES  
DSL MODULAR  
2012 SERIES

REV#	DESCRIPTION	DATE

PROJECT TITLE: TA STRUCTURES  
THE DRAWINGS, INFORMATION AND SUBJECT MATTER HEREOF ARE THE CONFIDENTIAL, SOLE AND EXCLUSIVE PROPERTY OF TWIN ANCHORS MARINE (1977) LTD. AND ARE NOT TO BE COPIED, REPRODUCED OR USED IN ANY NUMBER FOR ANY PURPOSE WHATSOEVER WITHOUT WRITTEN CONSENT OR DIRECTION.

675 Old Town Rd,  
P.O. Box 316, Skisquamis,  
B.C., V0C 2Y0  
Phone: (250) 836-3802  
Fax: (250) 836-3038



**C.S.**  
APR. 19/12

DRAWN BY: KM
CHECKED BY: WR
PROJECT: MOC-01
DATE: MAR. 07/12
SCALE: AS NOTED
DRAWING #: 4
4 OF 18



# CODE SHEET

VISTA Projects Limited			
VENDOR DRAWING/DOCUMENT SQUAD CHECK			
<b>A</b>	Reviewed without exception. Proceed with fabrication. Issue final drawings/documents.		
<b>B</b>	Reviewed except as marked and/or noted. Proceed with fabrication and resubmit drawing/document. Shipment will not be released, if any drawings/documents requiring approval, as per purchase order conditions, are at this code.		
<b>C</b>	Not accepted. Revise as marked and resubmit drawing/document for review. Shipment will not be released, if any drawings/documents requiring approval, as per purchase order conditions, are at this code.		
<b>D</b>	Not required for review. Received for information.		
Reviewed only as to general conformity with the design concept and specifications provided. The engineer does not warrant or represent that the information contained on this drawing/document is either accurate or complete. Sole responsibility for correct design, detail and dimensions shall remain with the party submitting the drawing/document.			
SDR CODE	EQUIPMENT TAG	REVIEWED BY	DATE
DC-05	B-1050	P.MALLA	7 MAY 2012

PROJECT NAME: Murphy Oil Cadette 1780-025

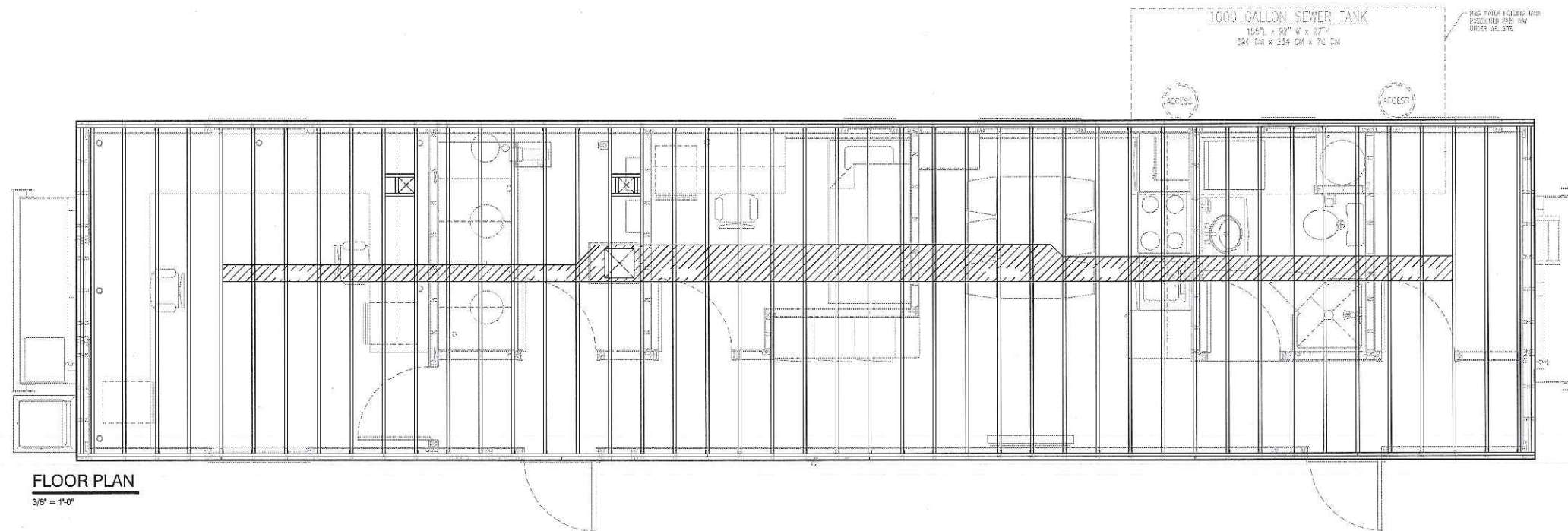
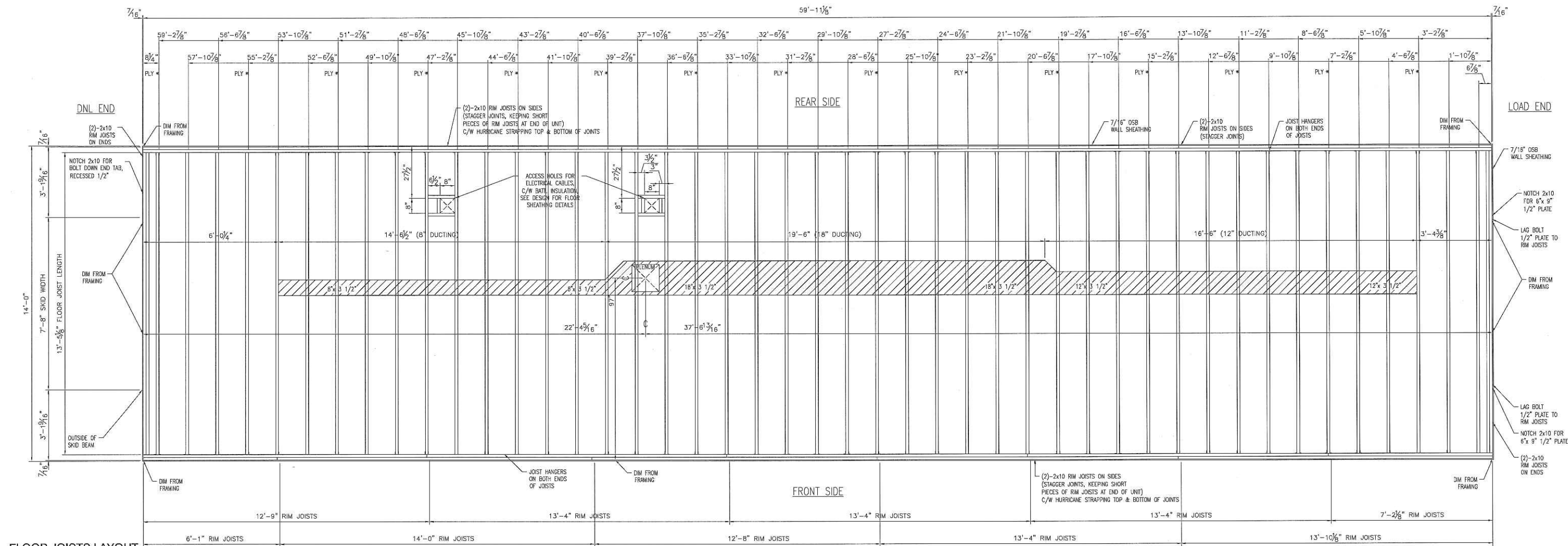
VENDOR NAME: DSL Modular

DOCUMENT NUMBER: MOC-01-5

VENDOR REVISION: A

DOCUMENT DESCRIPTION: Floor Joist Layout Office Control Room MOC-01

VENDOR TRANSMITTAL NUMBER: #4



**MOC-01**

FLOOR JOIST LAYOUT  
OFFICE CONTROL ROOM  
MOC-01

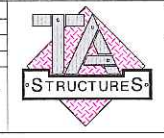
14' x 60'

TA STRUCTURES  
DSL MODULAR  
2012 SERIES

REV#	DESCRIPTION	DATE
REV A	UPDATED AS PER CLIENT MARK-UP'S	

PROJECT TITLE: THE DRAWINGS, INFORMATION AND SUBJECT MATTER HEREOF ARE THE CONFIDENTIAL, SOLE AND EXCLUSIVE PROPERTY OF TWIN ANCHORS MARINE (1977) LTD. AND ARE NOT TO BE COPIED, REPRODUCED OR USED IN ANY MANNER FOR ANY PURPOSE WHATSOEVER WITHOUT WRITTEN CONSENT OR DIRECTION.

675 Old Town Rd,  
P.O. Box 918, Saco, ME  
D.O. VOE ZVO  
phone: (252) 836-3802  
Fax: (252) 836-3038



**C.S.**  
APR. 19/12

DRAWN BY: KM  
CHECKED BY: WR  
PROJECT: MOC-01  
DATE: MAR. 07/12  
SCALE: AS NOTED  
DRAWING #: **5**  
5 OF 18



# CODE SHEET

VISTA Projects Limited VENDOR DRAWING/DOCUMENT SQUAD CHECK			
<b>A</b>	Reviewed without exception. Proceed with fabrication. Issue final drawings/documents.		
<b>B</b>	Reviewed except as marked and/or noted. Proceed with fabrication and resubmit drawing/document. Shipment will not be released, if any drawings/documents requiring approval, as per purchase order conditions, are at this code.		
<b>C</b>	Not accepted. Revise as marked and resubmit drawing/document for review. Shipment will not be released, if any drawings/documents requiring approval, as per purchase order conditions, are at this code.		
<b>D</b>	Not required for review. Received for information.		
Reviewed only as to general conformity with the design concept and specifications provided. The engineer does not warrant or represent that the information contained on this drawing/document is either accurate or complete. Sole responsibility for correct design, detail and dimensions shall remain with the party submitting the drawing/document.			
SDR CODE	EQUIPMENT TAG	REVIEWED BY	DATE
DCP1	B-1000	P.VALLA	7 MAY 2012

PROJECT NAME: Murphy Oil Cadotte 1780-025

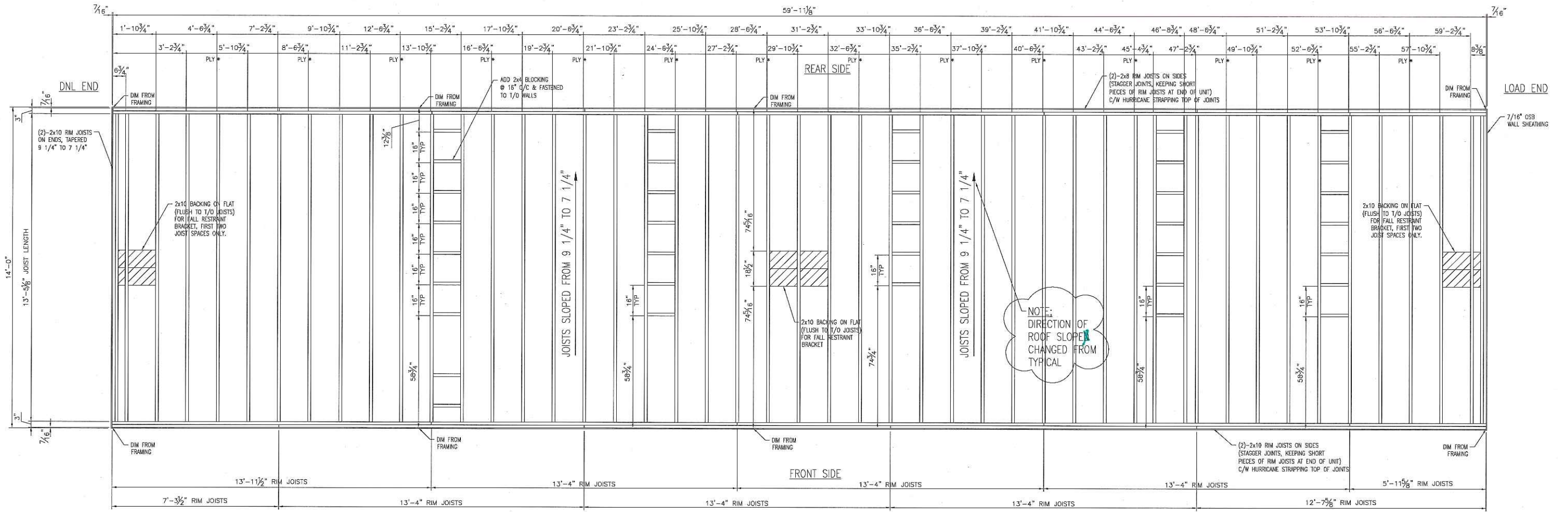
VENDOR NAME: DSL Modular

DOCUMENT NUMBER: MOC-D1-6

VENDOR REVISION: A

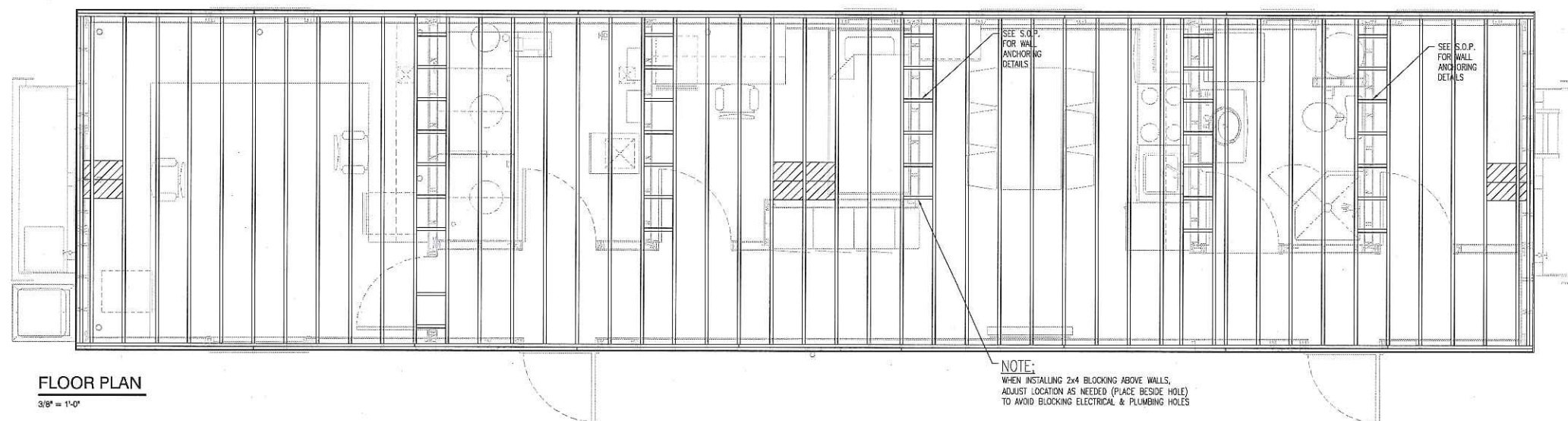
DOCUMENT DESCRIPTION: Roof Joist Layouts Office Control Room MOC-02

VENDOR TRANSMITTAL NUMBER: # 4



**ROOF JOISTS LAYOUT**

1/2" = 1'-0"



**MOC-01**

ROOF JOIST LAYOUTS  
OFFICE CONTROL ROOM  
MOC-01

14' x 60'

TA STRUCTURES  
DSL MODULAR  
2012 SERIES

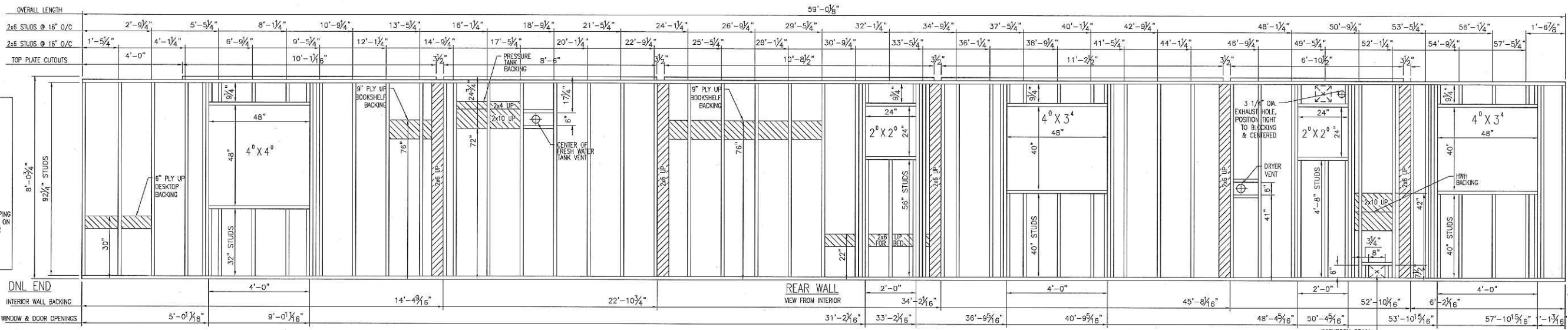
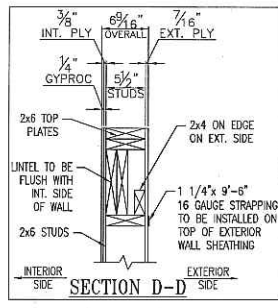
REV#	DESCRIPTION	DATE

PROJECT TITLE: TA STRUCTURES  
 THE DRAWINGS, INFORMATION AND SUBJECT MATTER HEREOF ARE THE CONFIDENTIAL, SOLE AND EXCLUSIVE PROPERTY OF TWIN ANCHORS MARINE (1977) LTD. AND ARE NOT TO BE COPIED, REPRODUCED OR USED IN ANY MANNER FOR ANY PURPOSE WHATSOEVER WITHOUT WRITTEN CONSENT OR DIRECTION.  
 675 Old Town Rd,  
 P.O. Box 318, Sibley, GA,  
 S.C. V0E 2V0  
 phone: (250) 836-3802  
 Fax: (250) 836-3038

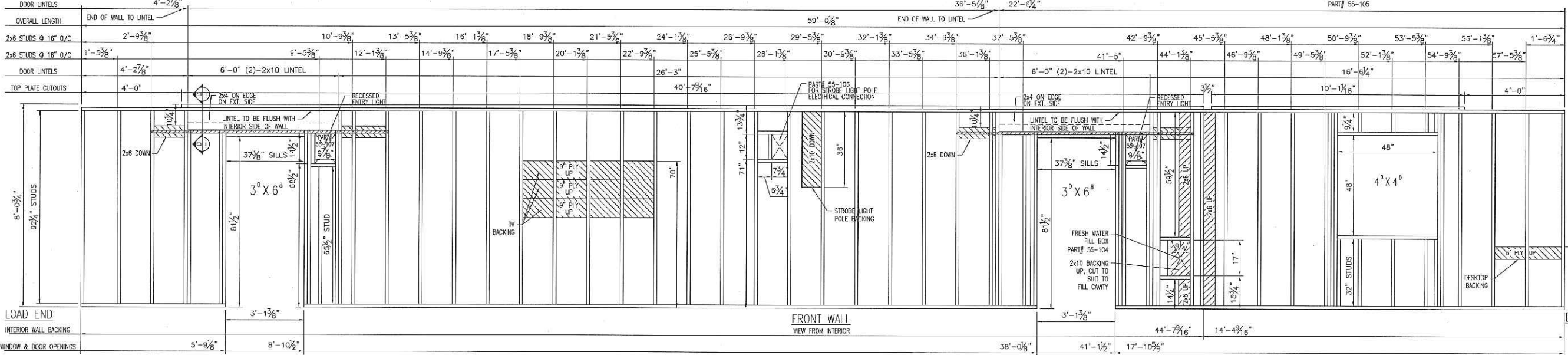


**C.S.**  
APR. 19/12

DRAWN BY: KM
CHECKED BY: WR
PROJECT: MOC-01
DATE: MAR. 07/12
SCALE: AS NOTED
DRAWING #: <b>6</b>
6 OF 18

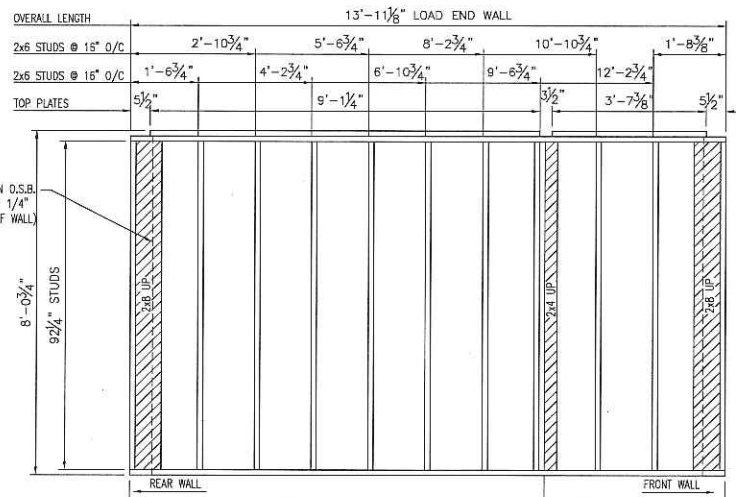
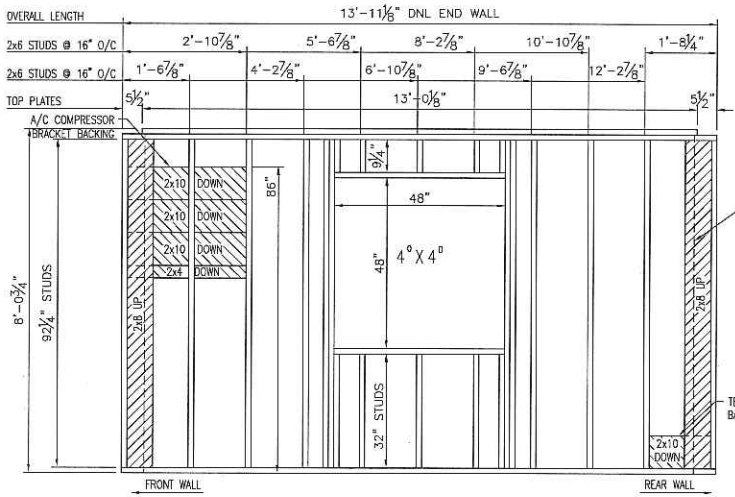


NOTE  
USE 5/8" OR 3/4"  
SCRAP PLY. FOR  
TYPICAL BACKING  
U.N.O.



NOTE  
USE 5/8" OR 3/4"  
SCRAP PLY. FOR  
TYPICAL BACKING  
U.N.O.

**EXTERIOR WALLS**  
1/2" = 1'-0"



**VISTA Projects Limited**  
**VENDOR DRAWING/DOCUMENT SQUAD CHECK**

**A** Reviewed without exception. Proceed with fabrication. Issue final drawings/documents.

**B** Reviewed except as marked and/or noted. Proceed with fabrication and resubmit drawing/document. Shipment will not be released, if any drawings/documents requiring approval, as per purchase order conditions, are at this code.

**C** Not accepted. Revise as marked and resubmit drawing/document for review. Shipment will not be released, if any drawings/documents requiring approval, as per purchase order conditions, are at this code.

**D** Not required for review. Received for information.

Reviewed only as to general conformity with the design concept and specifications provided. The engineer does not warrant or represent that the information contained on this drawing/document is either accurate or complete. Sole responsibility for correct design, detail and dimensions shall remain with the party submitting the drawing/document.

SDR CODE	EQUIPMENT TAG	REVIEWED BY	DATE
DC01	B-1000	P.VALLA	7 MAY 2012

**MOC-01**

EXTERIOR WALL FRAMING  
OFFICE CONTROL ROOM  
MOC-01

14' x 60'

TA STRUCTURES  
DSL MODULAR  
2012 SERIES

REV#	DESCRIPTION	DATE

PROJECT TITLE: TA STRUCTURES

THE DRAWINGS, INFORMATION AND SUBJECT MATTER HEREOF ARE THE CONFIDENTIAL, SOLE AND EXCLUSIVE PROPERTY OF TWIN ANCHORS MARINE (1977) LTD. AND ARE NOT TO BE COPIED, REPRODUCED OR USED IN ANY NUMBER FOR ANY PURPOSE WHATSOEVER WITHOUT WRITTEN CONSENT OR DIRECTION.

675 Old Town Rd,  
P.O. Box 318, St. John's,  
N.S., V0E 2V0  
Phone: (250) 836-3802  
Fax: (250) 836-3038



**C.S.**  
APR. 19/12

DRAWN BY: KM
CHECKED BY: WR
PROJECT: MOC-01
DATE: MAR. 07/12
SCALE: AS NOTED
DRAWING #: 7
7 OF 18



# CODE SHEET

VISTA Projects Limited VENDOR DRAWING/DOCUMENT SQUAD CHECK			
<b>A</b>	Reviewed without exception. Proceed with fabrication. Issue final drawings/documents.		
<b>B</b>	Reviewed except as marked and/or noted. Proceed with fabrication and resubmit drawing/document. Shipment will not be released, if any drawings/documents requiring approval, as per purchase order conditions, are at this code.		
<b>C</b>	Not accepted. Revise as marked and resubmit drawing/document for review. Shipment will not be released, if any drawings/documents requiring approval, as per purchase order conditions, are at this code.		
<b>D</b>	Not required for review. Received for information.		
Reviewed only as to general conformity with the design concept and specifications provided. The engineer does not warrant or represent that the information contained on this drawing/document is either accurate or complete. Sole responsibility for correct design, detail and dimensions shall remain with the party submitting the drawing/document.			
SDR CODE	EQUIPMENT TAG	REVIEWED BY	DATE
DC#1	B-1100	PVSLLS	7 MAY 2012

PROJECT NAME: Murphy Oil Cadotte MRO-025

VENDOR NAME: DSC Modular

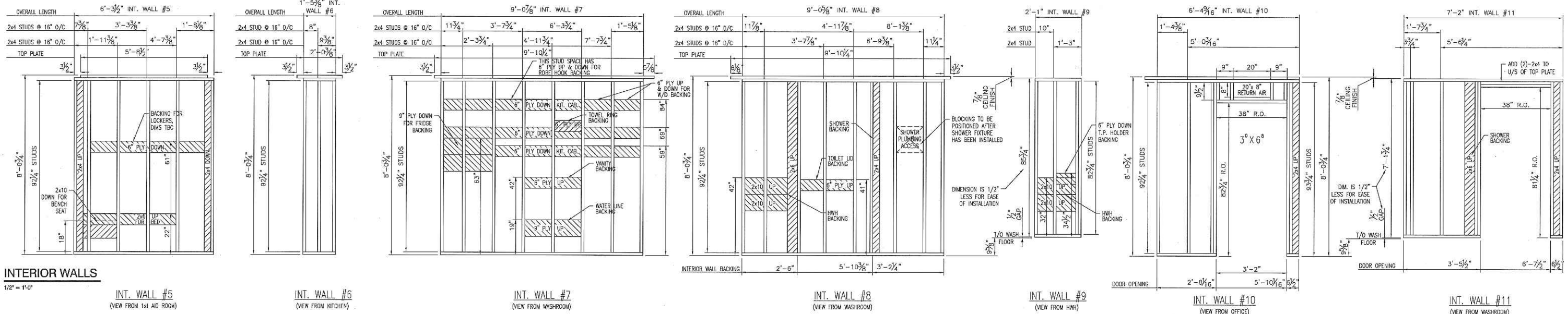
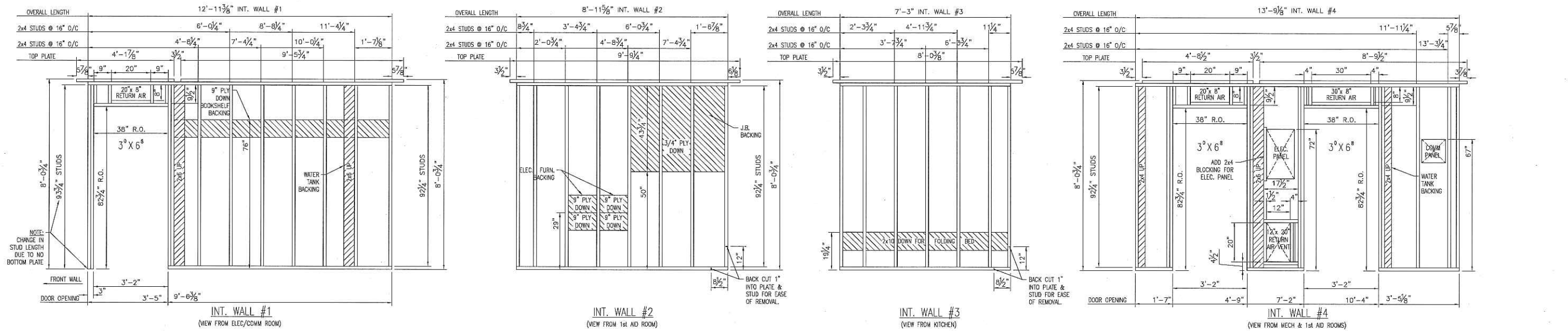
DOCUMENT NUMBER: MOC-01-8

VENDOR REVISION: A

DOCUMENT DESCRIPTION: Interior Wall Framing Office Control Room MOC-01

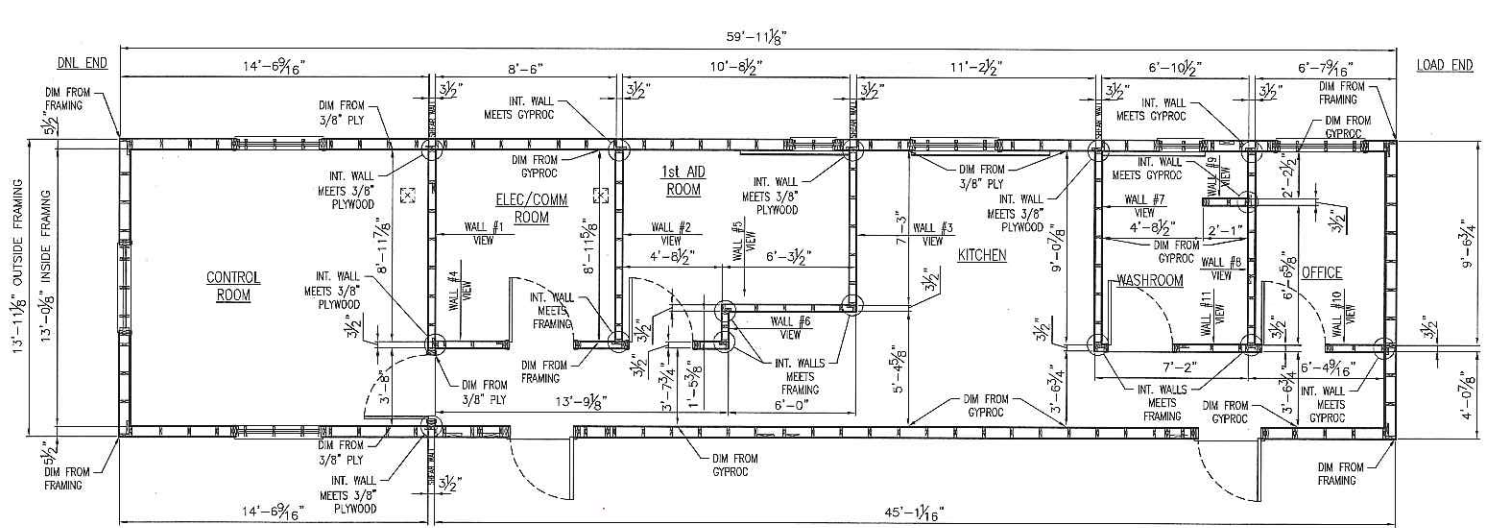
VENDOR TRANSMITTAL NUMBER: #4





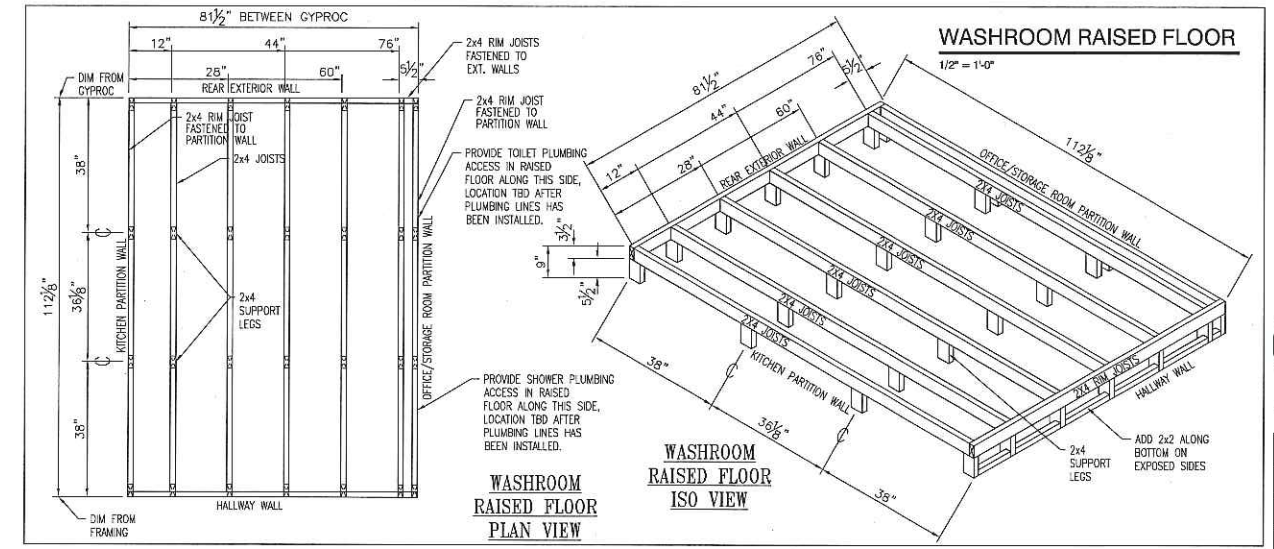
**INTERIOR WALLS**

1/2" = 1'-0"



**FLOOR PLAN**

1/4" = 1'-0"



**MOC-01**

**INTERIOR WALL FRAMING**  
OFFICE CONTROL ROOM  
MOC-01

14' x 60'

**TA STRUCTURES**  
DSL MODULAR  
2012 SERIES

REV#	DESCRIPTION	DATE



**C.S.**  
APR. 19/12

DRAWN BY: KM  
CHECKED BY: WR  
PROJECT: MOC-01  
DATE: MAR. 07/12  
SCALE: AS NOTED  
DRAWING #: **8**  
8 OF 18

THE DRAWINGS, INFORMATION AND SUBJECT MATTER HEREOF ARE THE CONFIDENTIAL, SOLE AND EXCLUSIVE PROPERTY OF TWIN ANCHORS MARINE (1977) LTD. AND ARE NOT TO BE COPIED, REPRODUCED OR USED IN ANY MANNER FOR ANY PURPOSE WHATSOEVER WITHOUT WRITTEN CONSENT OR DIRECTION.

875 Old Town Rd,  
P.O. Box 518, Sismarone,  
B.C., V0E 2V0  
Phone: (250) 836-3802  
Fax: (250) 836-3038



# CODE SHEET

VISTA Projects Limited VENDOR DRAWING/DOCUMENT SQUAD CHECK			
<b>A</b>	Reviewed without exception. Proceed with fabrication. Issue final drawings/documents.		
<b>B</b>	Reviewed except as marked and/or noted. Proceed with fabrication and resubmit drawing/document. Shipment will not be released, if any drawings/documents requiring approval, as per purchase order conditions, are at this code.		
<b>C</b>	Not accepted. Revise as marked and resubmit drawing/document for review. Shipment will not be released, if any drawings/documents requiring approval, as per purchase order conditions, are at this code.		
<b>D</b>	Not required for review. Received for information.		
Reviewed only as to general conformity with the design concept and specifications provided. The engineer does not warrant or represent that the information contained on this drawing/document is either accurate or complete. Sole responsibility for correct design, detail and dimensions shall remain with the party submitting the drawing/document.			
SDR CODE	EQUIPMENT TAG	REVIEWED BY	DATE
DM 89	B-1000	P. VALLS	7 MAY 2012

PROJECT NAME: Murphy Oil Cadotte 1780-025

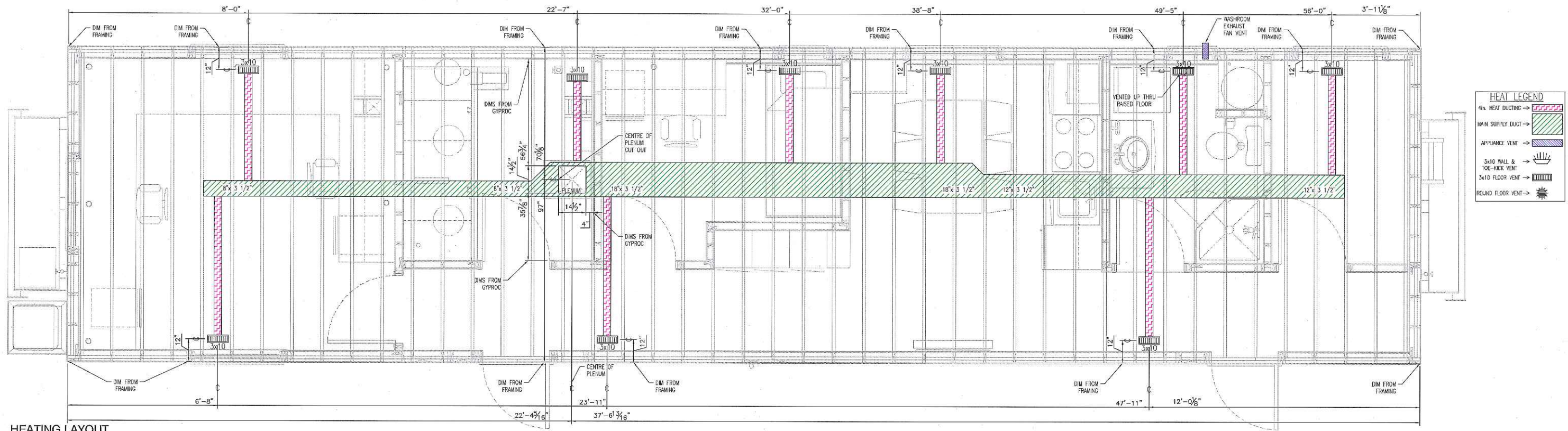
VENDOR NAME: DSL Modular

DOCUMENT NUMBER: MOC-01-9

VENDOR REVISION: A

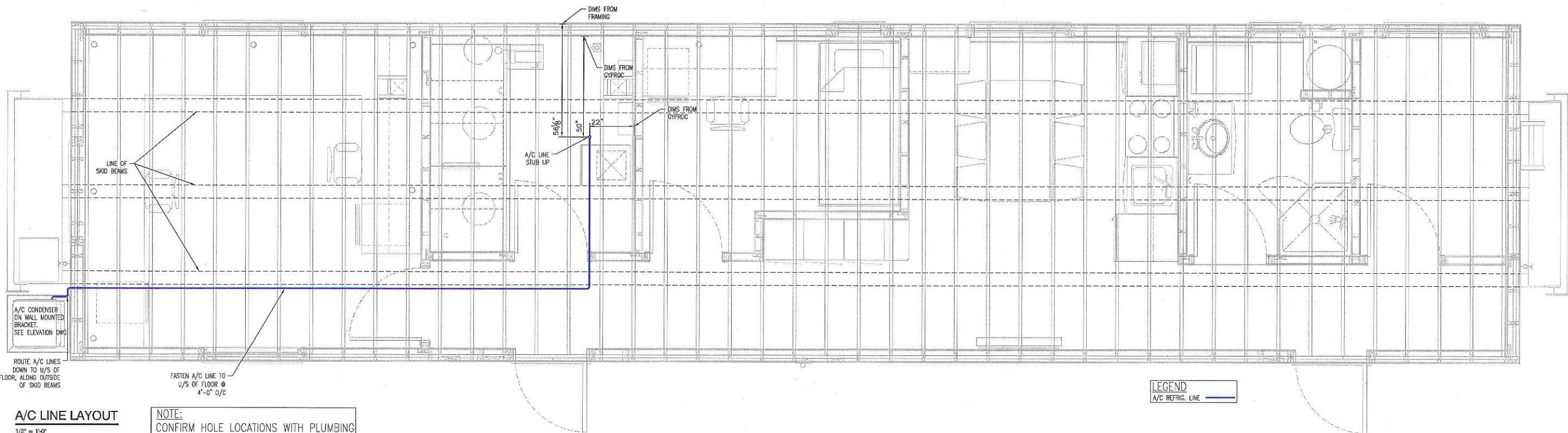
DOCUMENT DESCRIPTION: Heating Ducting & A/C Line Layouts  
Office Control Room MOC-01

VENDOR TRANSMITTAL NUMBER: #4



**HEATING LAYOUT**

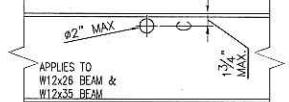
1/2" = 1'-0"



**A/C LINE LAYOUT**

1/2" = 1'-0"

**NOTE:**  
 CONFIRM HOLE LOCATIONS WITH PLUMBING DEPT. PRIOR TO INSTALLING HOLES  
 THE MAX. HOLE DIA. THAT SHOULD BE USED IS 2".  
 AND THERE SHOULD BE APPROX. 3/8" CLEARANCE ON ALL SIDES.  
 THE MAX. HEIGHT FROM THE TOP OF BEAM TO THE CENTER OF THE HOLE IS 1 3/4", AND THE CENTER OF THE HOLE SHOULD NOT BE IN BOTTOM HALF OF THE BEAM.



APPLIES TO W12x28 BEAM & W12x35 BEAM  
 HOLE FOR PROPANE & A/C LINES THRU SKID BEAM

**MOC-01**

**HEATING DUCTING & A/C LINE LAYOUTS**  
**OFFICE CONTROL ROOM**  
 MOC-01

14' x 60'

**TA STRUCTURES**  
**DSL MODULAR**  
 2012 SERIES

REV#	DESCRIPTION	DATE

PROJECT TITLE: TA STRUCTURES  
 THE DRAWINGS, INFORMATION AND SUBJECT MATTER HEREOF ARE THE CONFIDENTIAL, SOLE AND EXCLUSIVE PROPERTY OF TWIN ANCHORS MARINE (1977) LTD. AND ARE NOT TO BE COPIED, REPRODUCED OR USED IN ANY NUMBER FOR ANY PURPOSE WHATSOEVER WITHOUT WRITTEN CONSENT OR DIRECTION.

675 Old Town Rd,  
 P.O. Box 318, Slocan,  
 B.C. V0E 2V0  
 phone: (250) 636-3802  
 Fax: (250) 636-3038



**C.S.**  
 APR. 19/12

DRAWN BY: KM
CHECKED BY: WR
PROJECT: MOC-01
DATE: MAR. 07/12
SCALE: AS NOTED
DRAWING #: 9
9 OF 18