

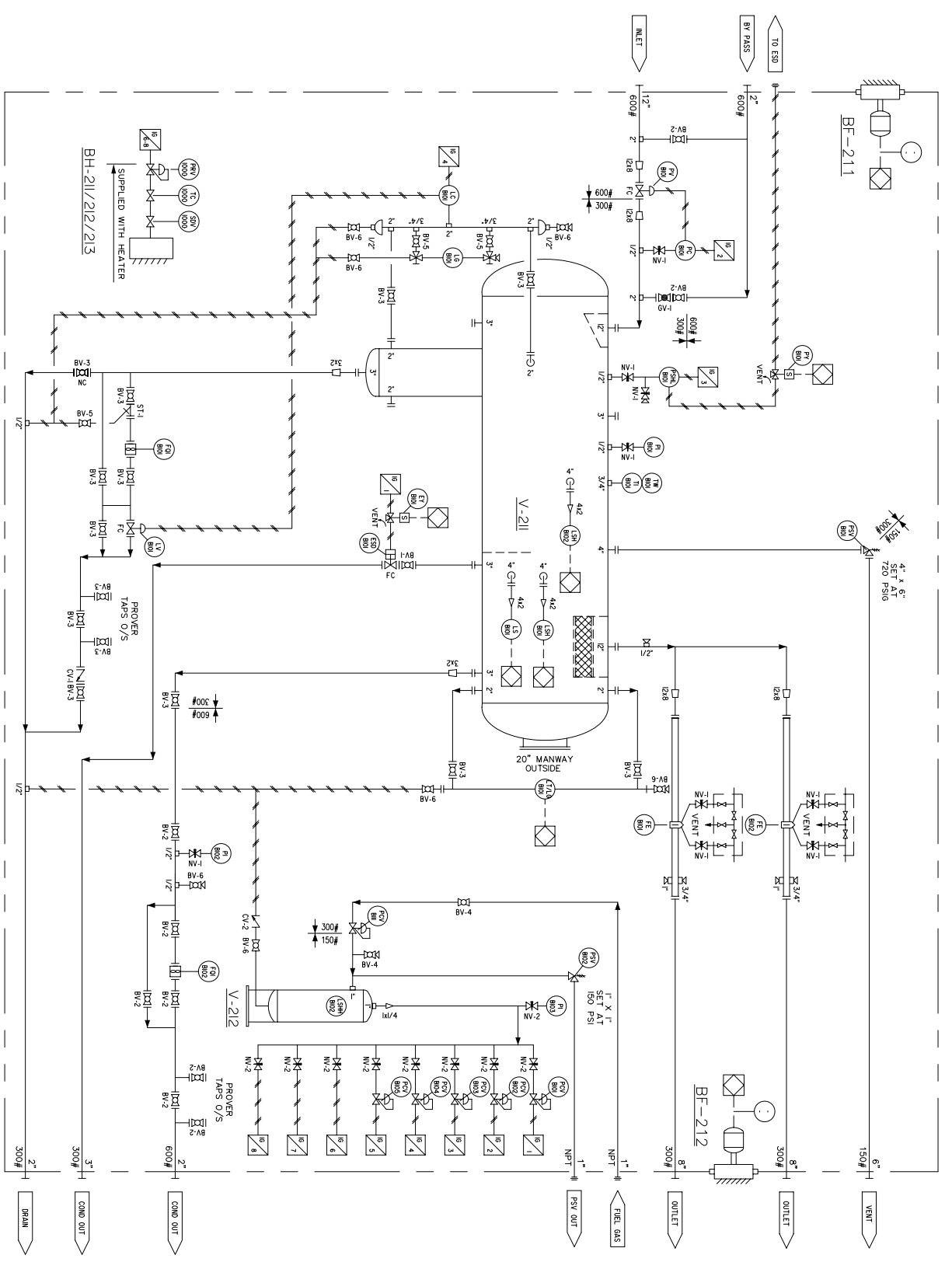
VALVE LIST

ITEM	QTY.	DESCRIPTION
BV-1	1	NUTRON BV, 3" 300 ANSI RF RP
BV-2	9	NUTRON BV, 2" 600 ANSI RF RP
BV-3	14	NUTRON BV, 2" 300 ANSI RF RP
BV-4	2	NUTRON BV, 1" NPT 3M RP
BV-5	3	NUTRON BV, 3/4" NPT 3M RP
BV-6	7	NUTRON BV, 1/2" NPT 3M FP
CV-1	1	WHEATLEY CHK VLV, 2" 300 ANSI WATER
CV-2	1	WHEATLEY 820 CHK VLV, 1/2" NPT, 2250 PSI
GV-1	1	NAVCO GLOBE VALVE, 2" 600 ANSI
NV-1	9	WGI NV, 1/2" MXF, CS
NV-2	9	WGI NV, 1/4" MXF, CS
ST-1	1	ALTA V-STR, 2" 300 ANSI RF, 304 BSK, 1/8" P

NOTES:
 ALL TUBING TO BE 316SS
 PROCESS/SENSING: 1/2" X 0.049" W.T. 316SS SMLS TUBING
 INSTRUMENT LINES: 3/8" X 0.035" W.T. 316SS SMLS TUBING
 ALL TUBE FITTINGS TO BE SWAGelok S
 ALL VENTED INSTRUMENTS TO BE VENTED OUTSIDE

INSTRUMENT LIST

TAG No.	DESCRIPTION
BH-211/212/213	CCI WX 24X36 (H2436) NAT GAS I20V, GRILL (AC-GRILL-2436), VENT H00D (AC-CHASSY-24), TEMP CTRL 24X36 (AC-TC-16000N-7), REGULATOR (AC-R-9I2)
BF-211/212	XP BUILDING FAN FOR 12 ACPH, I15/208-230VAC, IPH, 60Hz, 1/4 HP
V-211	60"OD X 20'-0" X 720 PSI HORIZONTAL SEPARATOR
V-212	FUEL GAS SCRUBBER, 8" X 24" X 720 PSI
PCV B101	FISHER 67GFR, 1/4", 0.100 PSI, VENTED
PCV B102-B105	FISHER 67GFR, 1/4", 0.35 PSI, VENTED
LC B101	FISHER L2SNP, DACT, 3-15E, PVC SPLIT DT
LCV B101	FISHER D3 VALVE, 2" 300 ANSI C/W 3/4" TRIM
LG B101	QUALITY 02TR20 LEVEL GAUGE C/W FIG. 146 GAUGE COCKS
TI/TW B101	WGI TI, 3" X 6" ST, 0/250F C/W 316SS TOW
PI B101	WGI PI, 1000 PSI, SS, BTM, 1/2", LF
PI B102	WGI PI, 1500 PSI, SS, BTM, 1/2", LF
PI B103	WGI PI, 200 PSI, SS, BTM, 1/4", LF
PI B104	WGI PI, 1500 PSI, SS, BTM, 1/2", LF
PI B105	FARRIS 26LA12-120 4" 300 X 6" 150M SET AT 720 PSI
PSV B101	TAYLOR 8200, 1" MNPT X 1" FNPT, SET AT 150 PSI
LSH B102	ARINAH FUEL GAS SHUTOFF - FS2X12SS-02
F01 B101	SIMARK 3/8" X 2" TURBINE CW MAG PU & LOCAL DISPLAY METER
F01 B102	SIMARK 1" X 2" TURBINE CW MAG PU & LOCAL DISPLAY METER
LSH B101/B102	SOR I50C-G2A-C-W9-ES-NC ELECT LS
LS B101	SOR I50C-G2A-C-W9-ES-NC ELECT LS
LT/LG B102	SOR I50C-G2A-C-W9-ES-NC ELECT LS
FE B101/B102	MAGTECH MODEL L66C2 MAGNETIC LEVEL GAUGE, 2" 300 ANSI, FLAPPER TYPE, C/W LTM MAGNETOSTRICTIVE LEVEL TRANSMITTER, CANALTA SENIOR RUN, 8" 300 ANSI, FDE, SCH. 40, AGA 2000, 16" OAL, 1" & 1-3/4" TOLS C/W ASCO 5V CS MANIFOLD
PV/PC B101	FISHER 667-70-ET, 8" 600 ANSI SIZE 70 FC ACTUATOR
EY/PV B101	C/W FISHER LOW BLEED CONTROLLER
PSHL B101	ASCO EF83206202/DC 3 WAY SOLENOID VALVE
PCV B111	FISHER 4660 HI/LO PRESSURE PILOT, 0.1000 PSI RANGE
ESD B101	FISHER 627/WCC B0Y/SST TRM, 70-150 PSI RANGE C/W 1/8" ORIFICE
	NUTRON BV, 3" 300 ANSI RP C/W EL-0-MATIC 350 FC ACT.



REV. No.	DATE	DESCRIPTION	BY	CHK'D	APP'D
1	11/18/09	ISSUED FOR APPROVAL	GV	GV	

BROMLEY MECHANICAL SERVICES
 925 - 23rd Street S.W., Medicine Hat, Alberta, Canada, T1A 8R1 (403) 526-3142

CLIENT: OPEN RANGE ENERGY CORP.
 PROJECT: INLET SEPARATOR PACKAGE
 LSD: 09-34-53-20 W5M

TITLE: P81D

W/ No.: 33465
 DRAWN BY: G. VANDERMOLEN
 DATE: MM/DD/YY 11/18/09

REV. No.: 0
 SCALE: N.T.S.
 DATE: MM/DD/YY 11/18/09
 CAD No.: 33465-P81D