

BILL OF MATERIAL

ITEM	QTY.	DESCRIPTION
1	2	S.E. HEAD, 60"OD X 126" X 1.25" NOM. 1125" MANU. SA56-70N
2	2	SHELL, 60"OD X 1260" X 10'-0" LONG, SA56-70N
3	2	ROLLED REPAD, 3/8"THK X 16" X 71 5/8" LONG (ROLLED TO 60"OD, SA56-70N)
4	2	SUPPORT PLATE - PLATE, 1/2", SA56/44W (SEE DETAIL)
5	4	SIDE PLATE - PLATE, 1/2", A36/44W (SEE DETAIL)
6	4	INNER PLATE - PLATE, 1/2", A36/44W (SEE DETAIL)
7	2	BASE PLATE - FLAT, 3/4" X 8" X 56" LONG, A36/44W (SEE DETAIL)
8	1	RFB, 20" 300 ANSI, SA105N
9	1	RFB, 20" 300 ANSI, SA105N
10	1	DAVIT ARM, 18" - 24"
11	1	304 SPIRAL WIND GSRT, 20" 300 ANSI, NA58
12	24	B7 STUD, 1/4" X 8", SA95.87
13	48	2H HEX NUT, 1/4", SA194.2HM
14	1	PIPE, 16" SCH. 100 (103H), SA106B X 26 3/8" LONG
15	1	S.E. HEAD, 16"OD X 100" NOM. (0.875" MANU. SA56-70N)
16	1	ROLLED REPAD, 26"OD X 1" NOM. ROLLED TO 60"OD, SA56-70N
17	2	RFLWN, 12" 300 ANSI X 12" OAL, SA105N
18	3	RFLWN, 4" 300 ANSI X 9" OAL, SA105N
19	1	RFLWN, 4" 300 ANSI X 18" OAL, SA105N
20	6	RFLWN, 3" 300 ANSI SCH. 160, SA105N
21	4	ROLLED REPAD, 7"OD X 3/4" NOM. ROLLED TO 60"OD, SA56-70N
22	4	PIPE, 3" SCH. 160 (0.4381), SA106B X 4 7/8" LONG
23	1	PIPE, 3" SCH. 160 (0.4381), SA106B X 2 1/4" LONG
24	1	WELD TEE, 3" SCH. 160, SA234WPB
25	5	RFLWN, 2" 300 ANSI SCH. 160, SA105N
26	3	PIPE, 2" SCH. 160 (0.3441), SA106B X 3 1/4" LONG
27	2	PIPE, 2" SCH. 160 (0.3441), SA106B X 3" LONG
28	3	WELD 90, 2" SCH. 160 LR, SA234WPB
29	1	TOL, 1/2" 3M, SA105N
30	2	TOL, 1/2" 3M, SA105N
31	1	TAG PLATE HOLDER, SA36 & VESSEL ID PLATE, ALUM
32	2	LIFT LUG - PLATE, 1/4", SA56-70N (SEE DETAIL)
33	1	WEIR - PLATE, 3/8", SA56/44W (SEE DETAIL)
34	1	INLET DIVERTER - PLATE, 3/8", SA56/44W (SEE DETAIL)
35	1	DEM 9LB 368SS, 57 1/2"OD X 6"TK, 5 PC BRD. REMOVABLE (26" SECTION)
36	30	PLATE, 3/8", SA56/44W (SEE DETAIL)
37	20	FLAT, 1/4" X 1", A36/44W
38		
39		
40		

NOTES:

ALL STUD LENGTHS GIVEN ARE THREAD TO THREAD  
 ALL RFBH TO BE NUT STOP OD  
 PREHEAT TO 200°F PRIOR TO WELDING  
 ALL REPADS TO HAVE 1/4" WEEP HOLES

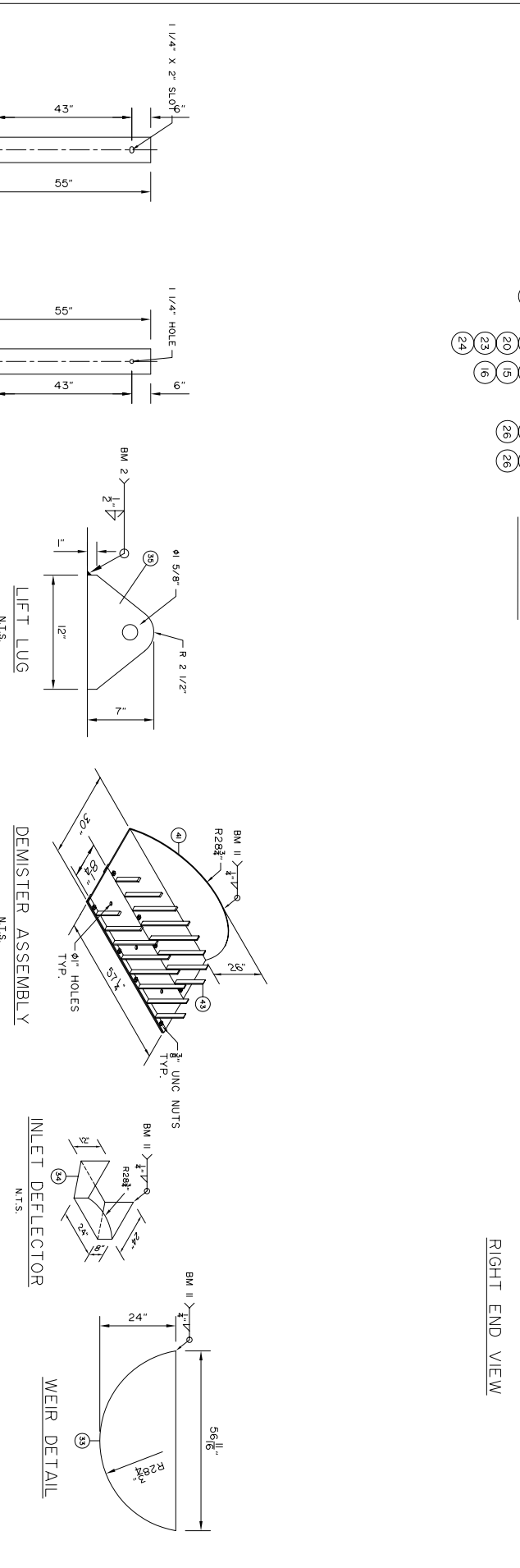
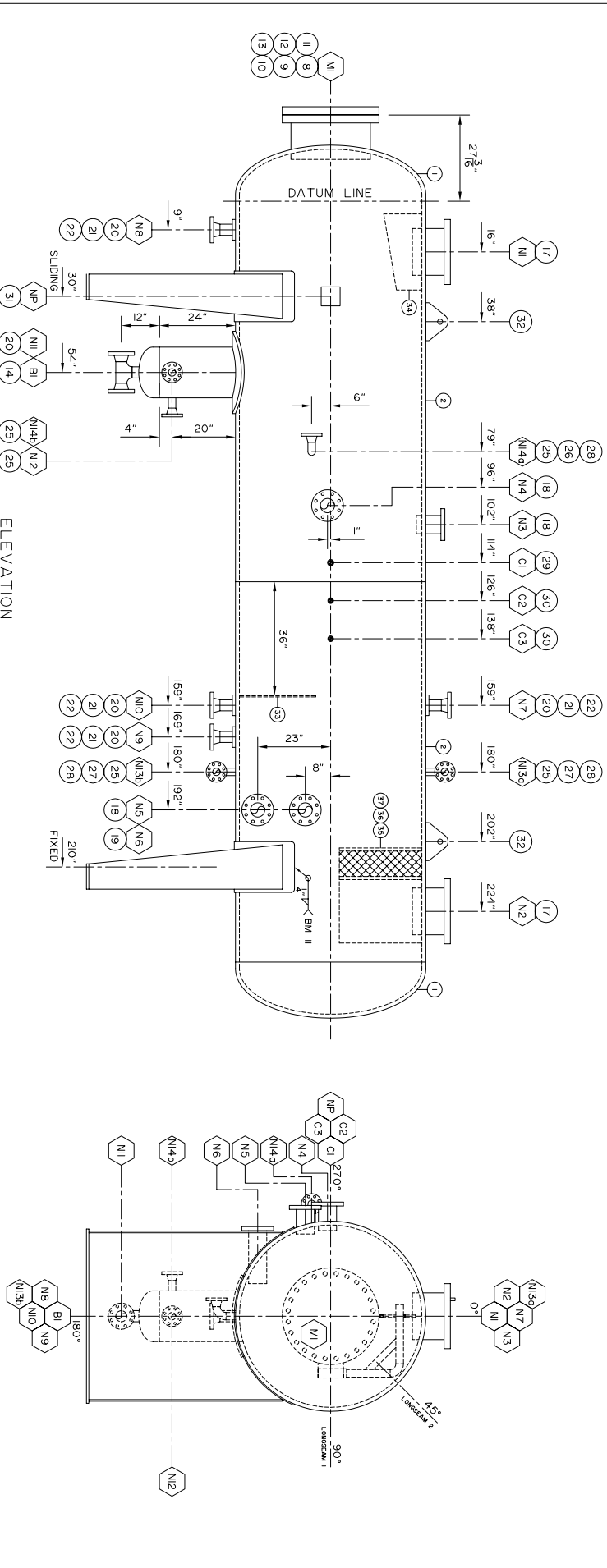
NO.	REV.	DATE	DESCRIPTION	CALC.	BY	CHK'D	APP'D
1	02	19	10			RB	RB
2	01	24	09			GV	GV
3	00					GV	GV

ASME 2007 ED. 2008 ADD CODE SEC. VIII DIV. 1  
 BMS APP (SI) 1009 REGISTERED WELD PROCEDURE 305.2  
 FOR VESSEL TOLERANCES, SEE WELDER HANDBOOK  
 VESSEL TYPE: HORIZONTAL  
 M.A.W.P.: 720 PSIG (4964 kPa) AT +100°F (+38°C)  
 M.D.M.T.: -20°F (-29°C) AT 720 PSIG (4964 kPa)  
 IMPACT TESTING EXEMPT PER UG201 (L-5) & UCS661(d)(1)  
 P.W.H.T.: NIL  
 RADIOGRAPHY: RT-I  
 JOINT EFFICIENCY: RT-I  
 CORROSION ALLOWANCE: 1/16"  
 HYDROSTATIC TEST: 936 PSIG (6454 kPa)  
 VOLUME: 425 ft<sup>3</sup> (12.04 m<sup>3</sup>)  
 WEIGHT (DRY): 25,000 lb (11,500 kg)

CLIENT	PROJECT	TITLE	CRN No.	GRAN No.	DATE	SCALE
OPEN RANGE ENERGY CORP.	INLET SEPARATOR PACKAGE	60"OD X 20'-0" X 720 PSI VESSEL	V0346.2	V0346.2	11/18/09	3/8" = 1'-0"
		LSD: 09-34-53-20 W5M				

MECHANICAL SERVICES  
**BROMLEY**  
 925-23rd Street S.W. Medicine Hat  
 Alberta, Canada, T1A 0H1 (403) 526-3142

NO.	REV.	DATE	DESCRIPTION	CALC.	BY	CHK'D	APP'D
1	02	19	10			RB	RB
2	01	24	09			GV	GV
3	00					GV	GV



NO.	REQ'D/RECD	SIZE	RATING	TYPE OF SERVICE	OD OF NOZ NECK	PROTECTION	INSIDE	OD X THK	WELD DETAIL	FLISET WELD SIZE	A	B	C	ITEM NO.	REMARKS
BM 1	1	20"	300	MANNWAY	25"	9 1/2"	1 3/8"	26" X 1"	5	3/8	1/2	3/4	83,101,12,13		
BM 2	1	16"	300	BOOT	16"	14.75"	7 3/4"	2	5	3/8	1/2		14,15,16		
N1	1	12"	300	INLET	14.75"	7 3/4"	2		5	3/8	1/2		17		
N2	1	12"	300	OUTLET	14.75"	7 3/4"	2		5	3/8	1/2		17		
N3	1	4"	300	PSV	5.75"	6	5/8		5	3/8	1/2		18		
N4	1	4"	300	WATER LSH	5.75"	6	5/8		5	3/8	1/2		18		
N5	1	4"	300	HC LSH	5.75"	6	5/8		5	3/8	1/2		18		
N6	1	4"	300	HC LSL	5.75"	9	2		5	1/2	5/8		19		
N7	1	3"	300	SPARE	3.5"	8		7" X 3/4"	4.8	3/8	5/8		20,21,22		
N8	1	3"	300	SPARE	3.5"	8		7" X 3/4"	4.8	3/8	5/8		20,21,22		
N9	1	3"	300	HC DUMP	3.5"	8		7" X 3/4"	4.8	3/8	5/8		20,21,22		
N10	1	3"	300	HC CRASH DUMP	3.5"	8		7" X 3/4"	4.8	3/8	5/8		20,21,22		
N11	1	3"	300	BOOT DRAIN	3.5"	5 1/2"			4.6	3/8			25,26		
N12	1	2"	300	SPARE	2.375"	6			4.6	3/8			25,27,28		
N13	1	2"	300	HC BRIDLE	2.375"	6			4.6	3/8			25,28,28		
N14	1	2"	300	WATER BRIDLE	2.375"	6			4.6	3/8			25,28,28		
N14b	1	3/4"	3000	WATER BRIDLE	2.375"	6			4.6	3/8			29		
C1	1	1/2"	3000	TI					10	3/8			30		
C2	1	1/2"	3000	PI					10	3/8			30		
C3	1	1/2"	3000	PSHL					10	3/8			30		