

THIS DRAWING IS THE PROPERTY OF COMPLETE PACKAGE TECHNOLOGY (2000) LTD. ANY REPRODUCTION IN WHOLE OR PART WITHOUT EXPRESS PERMISSION IS PROHIBITED.

**encana**  
natural gas

TUXTLA GAS ENGINEERING LTD.  
PIPING AND INSTRUMENTATION DIAGRAM  
INLET SEPARATION (SWEET SERVICES)

SUNDOWN d-85-g CPT03-6848-001

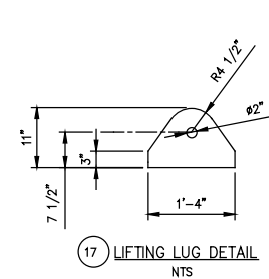
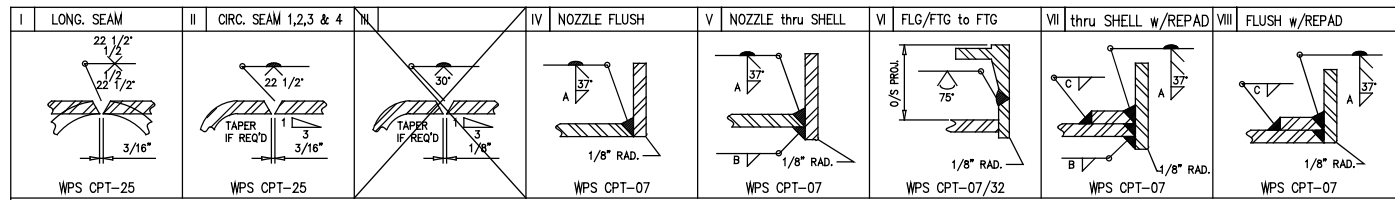
THIS DRAWING REPRESENTS PROPRIETARY INFORMATION AND SHOULD NOT BE DISTRIBUTED OR MODIFIED IN ANY MANNER THAT IS NOT IN THE BEST INTEREST OF ENCANOA OR THE ORIGINAL AUTHOR.

GENERAL NOTES		No.	DATE	REVISION	DWN.	CHK.	APP.	DESIGN DATA:
1.)	TEN (10) PIPE DIAMETERS MINIMUM LENGTH OF STRAIGHT PIPE UPSTREAM AND FIVE (5) PIPE DIAMETERS MINIMUM LENGTH OF STRAIGHT PIPE DOWNSTREAM OF FE-7421, FE-7461, FE-7462, FE-7463	A	03/07/01	ISSUED FOR APPROVAL	TR	PE		
2.)	ALL PI'S AND PT'S IN BITUMEN SERVICE TO COME c/w DIAPHRAGM SEALS.							
3.)	ALL INSTRUMENTS TO BE LOCATED INSIDE BUILDING							
4.)	CUSTOMER P.O. T.B.D.							

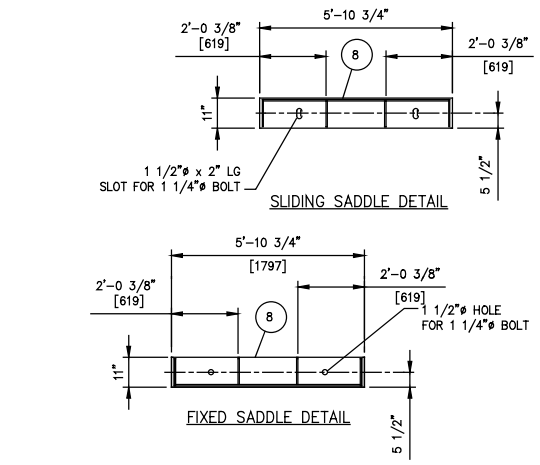
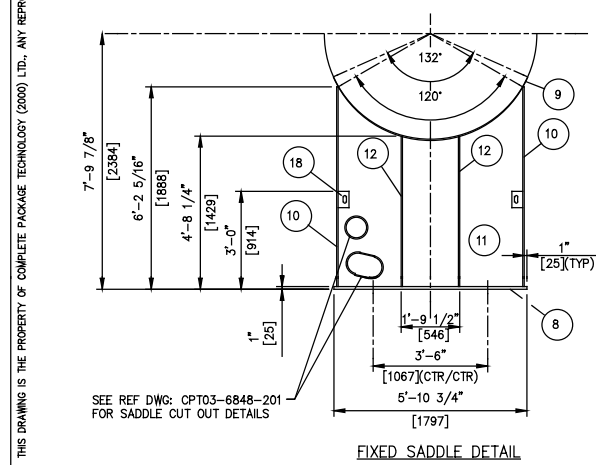
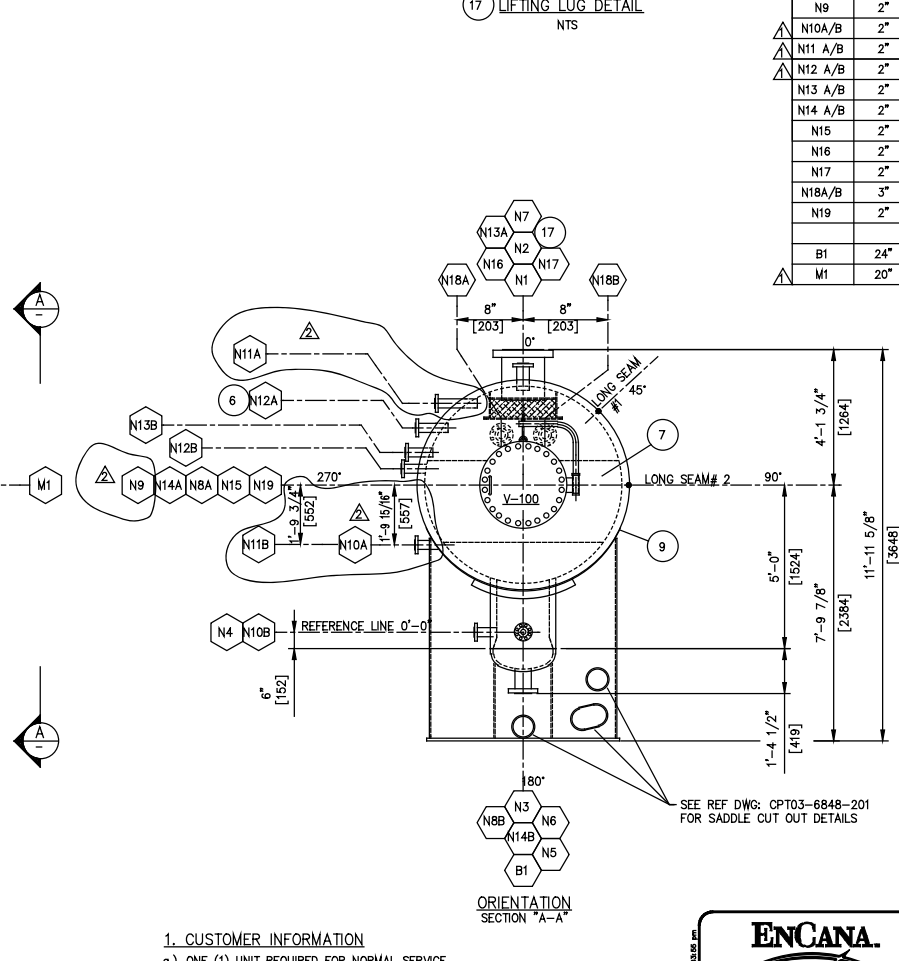
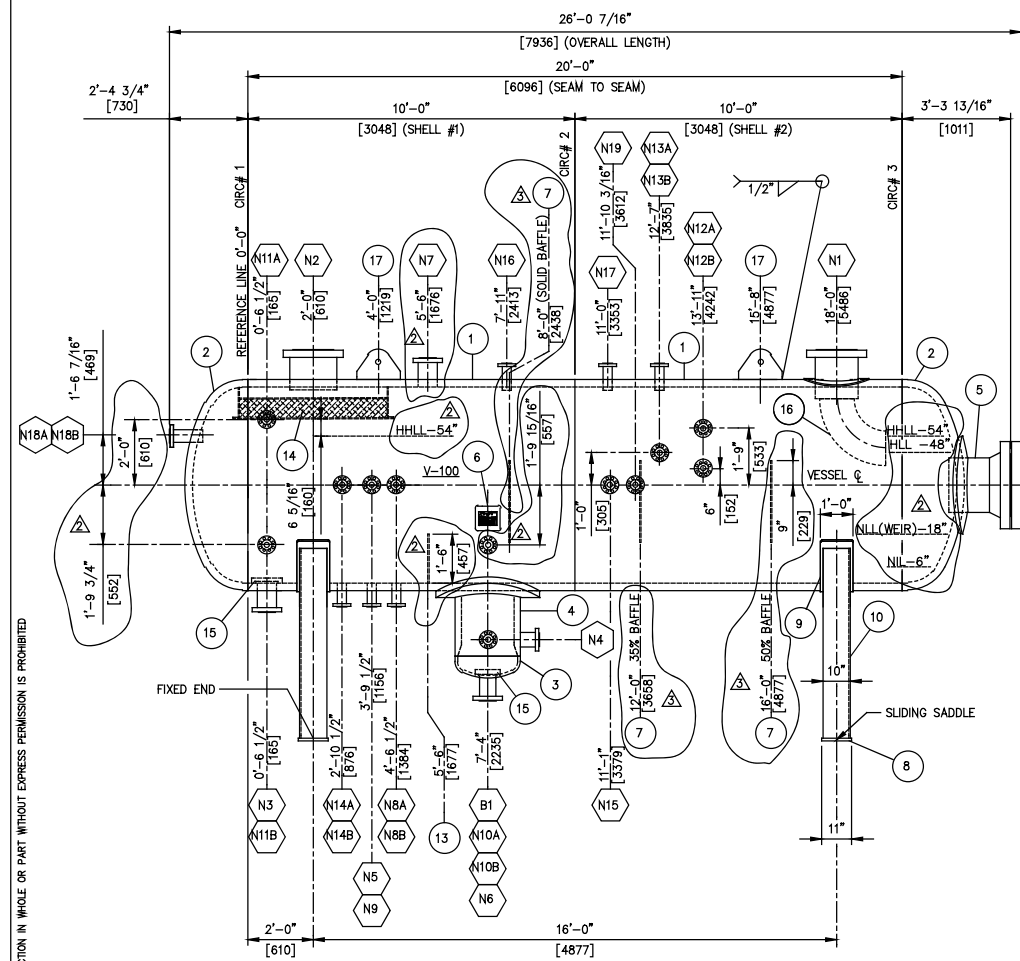


CLIENT:	EL PASO OIL & GAS INC. c/o TUXTLA GAS ENGINEERING LTD		
PROJECT:	SUNDOWN d-85-g CENTRAL FACILITY INLET SEPARATION (SWEET SERVICES) d-85-g / 093-P-7 P & ID		
SCALE:	JOB No.:	DWG. No.:	REV.
N.T.S.	03-6848	CPT03-6848-001	0





NOZZLE SCHEDULE														
TAG	SIZE	RATING	TYPE		SERVICE	NOZZLE W.T.	REPAD	PROJECTION		WELD SIZE				ITEM NUMBER
			EXTERNAL	INTERNAL				I/S	O/S	A	B	C	D	
N1	12"	600#	RF	LWN	N/A	1.875" W.T.	23.75" OD x 3/8" THK	4"	11"	VII	3/8"	0"	3/8"	16,19,37
N2	12"	600#	RF	HB	N/A	2.935" W.T.	N/A	S.F.	11"	IV	3/8"	-	-	20
N3	4"	600#	RF	HB	N/A	1.615" W.T.	N/A	G.F.	8"	IV	3/8"	-	-	15,34
N4	3"	600#	RF	LWN	N/A	0.81" W.T.	N/A	G.F.	7"	IV	3/8"	-	-	23
N5	2"	600#	RF	LWN	N/A	0.655" W.T.	N/A	G.F.	6"	IV	3/8"	-	-	25
N6	4"	600#	RF	LWN	N/A	1.00" W.T.	N/A	G.F.	8"	IV	3/8"	-	-	15,21
N7	4"	900#	RF	HB	N/A	1.8050" W.T.	N/A	S.F.	8"	IV	3/8"	-	-	22
N8A/B	2"	600#	RF	LWN	N/A	0.655" W.T.	N/A	G.F.	6"	IV	3/8"	-	-	25
N9	2"	600#	RF	LWN	N/A	0.655" W.T.	N/A	S.F.	6"	IV	3/8"	-	-	25
N10A/B	2"	600#	RF	LWN	N/A	0.655" W.T.	N/A	S.F.	6"	IV	3/8"	-	-	27,28
N11 A/B	2"	600#	RF	LWN	N/A	0.655" W.T.	N/A	G.F.	6"	IV	3/8"	-	-	26,28
N12 A/B	2"	600#	RF	LWN	N/A	0.655" W.T.	N/A	G.F.	6"	IV	3/8"	-	-	24,26
N13 A/B	2"	600#	RF	LWN	N/A	0.655" W.T.	N/A	G.F.	6"	IV	3/8"	-	-	25,29
N14 A/B	2"	600#	RF	LWN	N/A	0.655" W.T.	N/A	G.F.	6"	IV	3/8"	-	-	25
N15	2"	600#	RF	LWN	N/A	0.655" W.T.	N/A	G.F.	6"	IV	3/8"	-	-	25
N16	2"	600#	RF	LWN	N/A	0.655" W.T.	N/A	G.F.	6"	IV	3/8"	-	-	25
N17	2"	600#	RF	LWN	N/A	0.655" W.T.	N/A	G.F.	6"	IV	3/8"	-	-	25
N18A/B	3"	600#	RF	LWN	N/A	0.81" W.T.	N/A	G.F.	7 7/8"	IV	3/8"	-	-	30
N19	2"	600#	RF	LWN	N/A	0.655" W.T.	N/A	G.F.	8"	IV	3/8"	-	-	25
B1	24"	N/A	SHELL	N/A	BOOT	2.250" W.T.	36" OD x 2 1/4" THK	G.F.	SHOWN	III,VI,III	1/2"	-	3/4"	3,4,35
M1	20"	600#	RFWN	N/A	MANWAY c/w BLIND	1.00" W.T.	34" OD x 2" THK	2	SHOWN	I,VI,VI	3/8"	0"	3/4"	5,31,32,33,36,44,48



- CUSTOMER INFORMATION**
  - a. ONE (1) UNIT REQUIRED FOR NORMAL SERVICE.
  - b. DRAWING AND DESIGN WERE PREPARED USING LOADING CONDITIONS DEFINED IN UG-22(a), (b), AND (c) OF ASME SECTION VIII, DIVISION 1.
  - c. CUSTOMER P.O.: 1409-P-001
- MATERIAL NOTES:**
  - a. MATERIAL NOTED WITH (+CVNT) TO BE IMPACT TESTED TO -20°F PER UG-84. MINIMUM ENERGY LEVELS: 2 3/4" THK PL 35/26 FLBS @ -20°F, 2 1/4" THK PL 30/20 FLBS @ -20°F.
  - b. ALL OTHER PRESSURE RETAINING MATERIAL IS IMPACT TESTED EXEMPT PER UG-20(1) AND UG-66(a) & (b). PRODUCTION IMPACT TEST REQUIRED ON MATERIALS ≥ 1/2".
  - c. MTR'S REQUIRED FOR ALL PRESSURE RETAINING PARTS AND ITEMS WELDED DIRECTLY TO PRESSURE RETAINING PARTS.
  - d. ULTRASONIC TESTING REQUIRED ON ALL HEAD AND SHELL PLATE PER SA578 LEVEL "C" ON A 3" GRID.
  - e. COMPACT RESERVES THE RIGHT TO SUBSTITUTE MATERIAL AS NOTED:
    - PIPE: SA106 Gr. B TO SA333 Gr. 6
    - FORGINGS: SA105 TO SA105 Gr. N TO SA350 Gr. LF2
    - WELD FITTINGS: SA234 Gr. WPB TO SA420 Gr. WPL6
    - STUDS: SA193-B7M TO SA320 Gr. L7M
    - NUTS: SA194-2HM TO SA194 Gr. 7M
- FABRICATION NOTES:**
  - a. ALL EXTERNAL ATTACHMENT WELDS TO BE 1/4" FILLET UNLESS NOTED OTHERWISE.
  - b. ALL WELDS TO SHELL AND HEAD TO BE FULL PENETRATION WITH 3/16" FILLET SEAL.
  - c. ALL NOZZLE OPENINGS TO HAVE A 1/8" INTERNAL RADIUS.
  - d. PRODUCTION IMPACT TESTS REQUIRED PER UG-84(1).
  - e. EACH REPAD SEGMENT TO HAVE ONE (1) 1/4" NPT TAPPED WEEPHOLE LOCATED 45° OFF LONGITUDINAL AXIS.
  - f. NO WELDING OR ARC STRIKES PERMITTED AFTER PWHT.
  - g. ALL ATTACHMENT WELDS TO BE DONE TO WPS CPT-07 (PWHT PROCEDURES)
  - h. WELDING OF ALL MATERIALS OVER 1.25" THICK TO HAVE 200°F PREHEAT
  - i. ALL DIMENSIONS ARE IMPERIAL. DIMENSIONS IN BRACKETS ARE METRIC
  - j. REPADS TO BE AIR TESTED TO 15 PSIG BEFORE HYDROTEST. TEST HOLES TO BE FILLED WITH CORROSION INHIBITING GREASE PRIOR TO SHIPMENT

**ENCANA**  
 COMP. STN. D-85-G  
 D-85-G/93-P-7  
 COMPRESSOR STATION  
 NTS (All Size) 100%  
**TUXTLA GAS ENGINEERING LTD.**  
 INLET SEPARATOR VESSEL  
 72" ID x 20'-0" SEAM TO SEAM  
**SUNDOWN** D CPT03-6848-200  
 THIS DRAWING REPRESENTS PROPRIETARY INFORMATION AND SHOULD NOT BE DISTRIBUTED OR MODIFIED IN ANY MANNER THAT IS NOT IN THE BEST INTEREST OF ENCANA OR THE ORIGINAL AUTHOR.

- NDE NOTES:**
  - a. RT: 100% FULL (RT-1) PER UW-11 (a) PLUS 100% OF ALL BUTTWELDS
  - b. MT: ON ALL CATEGORY "D" WELDS, AFTER PWHT AND ALL PRESSURE-RETAINING BUTT WELDS
  - c. UT: ON ALL CATEGORY "D" WELDS, BEFORE PWHT
  - d. PWHT: 1150F (+25/-0) FOR 180 MINUTES MINIMUM AND IN ACCORDANCE WITH TUXTLA SPEC. APPENDIX II
  - e. HT: ONE TEST PER WELDER PER WPS USED, BHN 200
  - f. HYDRO: HOLD TIME (1) ONE HOUR c/w CHART RECORD
- VESSEL FINISH:**
  - a. EXTERIOR FINISH/PREPARATION AS FOLLOWS:
    - BRUSH-OFF BLAST CLEANING PER SSPC-SP7
    - ONE (1) SHOP COAT DEVOE OR EQUAL PRIMER
    - 1.5 TO 2.0 MILS DFT
    - ONE (1) SHOP COAT MARINE ENAMEL III OR EQUAL
    - 1.5 TO 2.0 MILS DFT RUSTOLEUM 906 GREY.
  - b. INTERIOR FINISH/PREPARATION AS FOLLOWS:
    - NEAR WHITE METAL BLAST CLEANING PER SSPC-SP10
    - DEVOE 253 TO 12-15 MILS DFT PER MANUFACTURER'S RECOMMENDATIONS

GENERAL NOTES			DESIGN DATA:		
No.	DATE	REVISION	DWN.	CHK.	APP.
1.)	03/07/02	ISSUED FOR APPROVAL	TR	PE	
2.)	03/07/08	ISSUED FOR LONG AND CIRC. SEAM WELDING ONLY	TR	PE	
3.)	03/07/18	ISSUED FOR CONSTRUCTION	TR	PE	
4.)	03/07/29	ADDED N9 TO ORIENT., CHANGED N7 TO 4" 900# HB, CHANGED WEIR HEIGHT TO 18"	TR	PE	
5.)	03/08/20	REVISED NOZZLE LENGTH FOR M1, AND DELETED NOZZLES N20A/B/C			
		REVISED ELEVATION OF NOZZLES N10A, N11A & N11B, ADDED LIQUID LEVELS (IFC)			
		REVISED DRAWING TO MATCH NEW DESIGN CALCULATIONS			

**2000 Compact**  
 COMPLETE PACKAGE TECHNOLOGY (2000) LTD.  
 EDMONTON, ALBERTA, CANADA

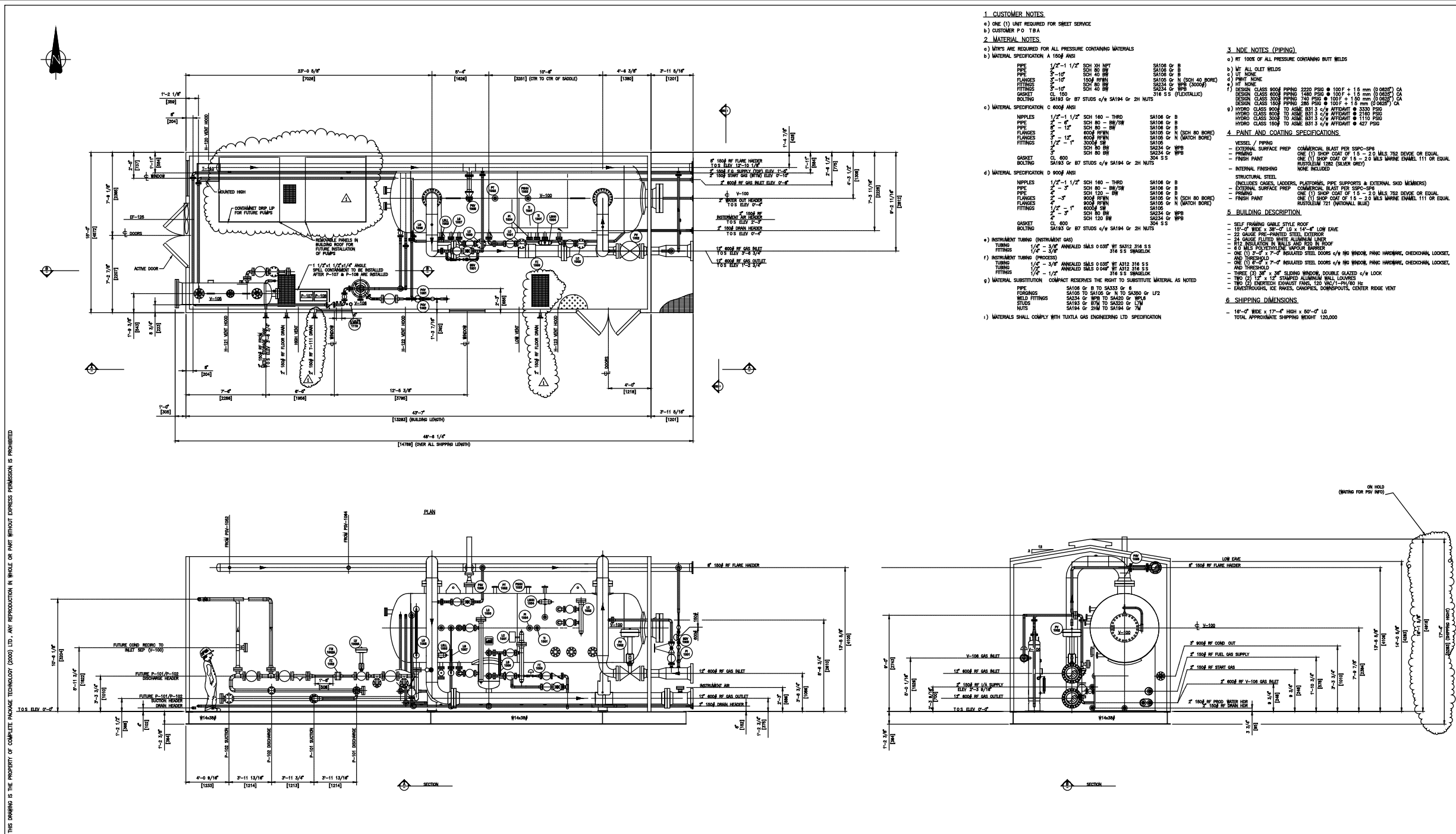
QUALITY CONT. AQP-1194(S)  
 WELD PROCEDURE REG. # WP 655.2  
 CRN: T.B.A.  
 SERIAL No.: CO3-6848-1

BILL OF MATERIAL					
HEAT No.	ITEM	QTY.	PART	DESCRIPTION	MATERIAL
	1	2	SHELL	72" ID x 2 3/4" PL x 10'-0" LG	SA516 Gr. 70N+CVT
	2	2	HEAD	72" ID x 2 3/4" NOM THK (2.65" MIN) 2:1 SE	SA516 Gr. 70N+CVT
				HEAD c/w 2" SF (HOT FORMED)	
	3	1	BOOT HEAD	24" O.D. x 1" NOM THK (0.9375" MIN) 2:1 SE	SA516 Gr. 70N
				HEAD c/w 2" SF (HOT FORMED)	
	4	1	BOOT SHELL	24" OD x 2 1/4" PL x 2'-2 1/16" LG (HOT ROLLED)	SA516 Gr. 70N+CVT
	5	1	MANWAY NECK	20" OD x 1" PL x 1'-3 1/2" LG	SA516 Gr. 70N
	6	1	NAME PL/BRKT	COMPACT STD NAME PL BRKT c/w NAME PL	SA36 304 S.S.
	7	3	STILLING BAFFLE	SEE REFERENCE DRAWING CPT03-6848-201	SA-36
N/A	8	2	BASE PLATE	11" x 1" FB x 5'-10 3/4" LONG	SA36
	9	2	WEAR PLATE	12" x 3/8" THK x 7'-7" LONG	SA516 Gr. 70N
N/A	10	4	RIB PLATE	10" x 1/2" PL x 6'-1 5/16" LONG	SA36
N/A	11	2	WEB PLATE	5'-8 3/4" WD x 1/2" THK x 6'-1 5/16" LONG	SA36
	12	2	RIB PLATE	9 1/2" WD x 1/2" THK PLATE x 4'-7 1/4"	SA36
	13	1	WEIR PLATE	SEE REFERENCE DRAWING CPT03-6848-201	SA-36
	14	1	MIST EXTRACTOR	SEE REFERENCE DRAWING CPT03-6848-201	SA-36
	15	2	VORTEX BREAKER	COMPACT STD VORTEX BREAKERS	SA-36
	16	1	INLET DEFLECTOR	12" SCH XH 90° LRWB ELBOW	SA234-WPB
	17	2	LIFT LUG	11" WD x 1" THK x 1'-4" LG (SEE DETAIL)	SA516 Gr. 70N
N/A	18	4	TIE DOWN LUG	COMPACT STD TIE DOWN LUG	SA36
	19	1	FLANGE	12" 600# RF LWN FORGING (1.875" W.T.) x 19" LG (C.T.=18 5/8")	SA105 Gr. N
	20	1	FLANGE	12" 600# RFB FORGING (2.935" W.T.) x 15" LG	SA105 Gr. N
	21	1	FLANGE	4" 600# RF LWN FORGING (1.00" W.T.) x 10" LG (C.T.=9 1/4")	SA105 Gr. N
	22	1	FLANGE	4" 900# RF HB FORGING (1.805" W.T.) x 12" LG (C.T.=11")	SA105 Gr. N
	23	1	FLANGE	3" 600# RF LWN FORGING (0.81" W.T.) x 10" LG	SA105 Gr. N
	24	1	FLANGE	2" 600# RF LWN FORGING (0.655" W.T.) x 10" LG (C.T.=9 3/4")	SA105 Gr. N
	25	13	FLANGE	2" 600# RF LWN FORGING (0.655" W.T.) x 10" LG (C.T.=9")	SA105 Gr. N
	26	2	FLANGE	2" 600# RF LWN FORGING (0.655" W.T.) x 12 1/8" LG	SA105 Gr. N
	27	1	FLANGE	2" 600# RF LWN FORGING (0.655" W.T.) x 10" LG (C.T.=8 3/4")	SA105 Gr. N
	28	2	FLANGE	2" 600# RF LWN FORGING (0.655" W.T.) x 17" LG (C.T.=17")	SA105 Gr. N
	29	1	FLANGE	2" 600# RF LWN FORGING (0.655" W.T.) x 11" LG (C.T.=10 3/8")	SA105 Gr. N
	30	2	FLANGE	3" 600# RF LWN FORGING (0.81" W.T.) x 12" LG	SA105 Gr. N
	31	1	FLANGE	20" 600# SCH 80 RFWN FLANGE	SA105 Gr. N
	32	1	FLANGE	20" 600# RF BLIND FLANGE	SA105 Gr. N
	33	1	DAWT ASS./HINGE	COMPACT STD HINGE TYPE DAWT ASSEMBLY/HINGE	SA516 Gr. 70N
	34	1	FLANGE	4" 600# RF HB FORGING (1.615" W.T.) x 12" LG (C.T.=11")	SA105 Gr. N
	35	1	REPAD	36" OD x 2 1/4" THK x 24 1/8" ID ROLLED TO 77 1/2" ID	SA516 Gr. 70N
	36	1	REPAD	34" OD x 2" THK x 20 1/8" ID ROLLED TO 77 1/2" ID	SA516 Gr. 70N+CVT
	37	1	REPAD	23 3/4" OD x 3/8" THK x 15 7/8" ID ROLLED TO 77 1/2" ID	SA516 Gr. 70N+CVT
	38				
	39				
	40				
	41				
	42				
	43				
N/A	44	1	GASKET	20" 600# RF GASKET 1/8" (FLEXITALLIC)	316 S.S.
	45				
	46				
	47				
N/A	48	24	BOLTING	1 5/8" x 11 1/2" LG STD c/w (2) NUTS	SA193 Gr. B7M SA194 Gr. 2HM
	49				
	50				
	51				
	52				

CLIENT:	EL PASO OIL & GAS INC. c/o TUXTLA GAS ENGINEERING LTD		
PROJECT:	SUNDOWN d-85-g CENTRAL FACILITY 72" ID x 20'-0" SEAM TO SEAM x 9,310 KPA @ 38°C/-29°C MAWP INLET SEPARATOR VESSEL d-85-g / 093-P-07		
SCALE:	3/8" = 1'-0"	JOB No.:	03-6848
		DWG. No.:	CPT03-6848-200
		REV.:	3

MATERIAL SHOWN FOR ONE (1) UNIT ONLY - ONE (1) UNIT REQUIRED

Date Saved: 2008-12-09 2:17pm



- 1. CUSTOMER NOTES**
- a) ONE (1) UNIT REQUIRED FOR SHEET SERVICE
  - b) CUSTOMER P.O. TBA
- 2. MATERIAL NOTES**
- a) MFR'S ARE REQUIRED FOR ALL PRESSURE CONTAINING MATERIALS
  - b) MATERIAL SPECIFICATION A 150# ANSI
  - c) MATERIAL SPECIFICATION D 600# ANSI
  - d) MATERIAL SPECIFICATION D 900# ANSI
  - e) INSTRUMENT TUBING (INSTRUMENT GAS)
  - f) INSTRUMENT TUBING (PROCESS)
  - g) MATERIAL SUBSTITUTION
  - h) MATERIALS SHALL COMPLY WITH TUXTLA GAS ENGINEERING LTD SPECIFICATION
- 3. NDE NOTES (PIPING)**
- a) RT 100% OF ALL PRESSURE CONTAINING BUTT WELDS
  - b) RT ALL OLET WELDS
  - c) UT NONE
  - d) PAINT, NONE
  - e) NONE
  - f) HYDRO CLASS 300# TO ASME B31.3 C/W AFFWDWT # 3330 PSID
  - g) HYDRO CLASS 600# TO ASME B31.3 C/W AFFWDWT # 3330 PSID
  - h) HYDRO CLASS 900# TO ASME B31.3 C/W AFFWDWT # 3330 PSID
  - i) HYDRO CLASS 150# TO ASME B31.3 C/W AFFWDWT # 427 PSID
- 4. PAINT AND COATING SPECIFICATIONS**
- EXTERNAL SURFACE PREP COMMERCIAL BLAST PER SSPC-SP6
  - PRIMER ONE (1) SHOP COAT OF 1.5 - 2.0 MILS TDS DOVE OR EQUAL
  - FINISH PAINT ONE (1) SHOP COAT OF 1.5 - 2.0 MILS MARINE ENAMEL 111 OR EQUAL
  - INTERNAL FINISHING NONE INCLUDED
- 5. BUILDING DESCRIPTION**
- SELF-FRAMING GABLE STYLE ROOF
  - 12" WIDE x 30" OF 12 x 14" LOW EAVE
  - 22 GAUGE PRE-PANDED STEEL EXTERIOR
  - 24 GAUGE ELECTRIC WHITE ALUMINUM LINER
  - 2" POLYURETHANE INSULATION
  - 6" EPS POLYURETHANE VAPOR BARRIER
  - ONE (1) 8' x 7' INSULATED STEEL DOOR w/ WINDOR, PANE HINGE, CHECKWAL, LOCKER, AND THRESHOLD
  - THREE (3) 36" x 36" SLIDING WINDOW, DOUBLE GLAZED w/ W/ LOCK
  - TWO (2) 12" x 12" STAMPED ALUMINUM WALL LOUVERS
  - TWO (2) EXHAUST FANS, 120 WATT, 115V/1PH/1RZ
  - EXHAUSTHOUS, ICE RAVES, CANISTER, DOWNPOUTE, CENTER RIDGE VENT
- 6. SHIPPING DIMENSIONS**
- 16'-0" WIDE x 17'-0" HIGH x 85'-0" LG
  - TOTAL APPROXIMATE SHIPPING WEIGHT 120,000

THIS DRAWING IS THE PROPERTY OF COMPLETE PACKAGE TECHNOLOGY (2000) LTD. ANY REPRODUCTION IN WHOLE OR PART WITHOUT EXPRESS PERMISSION IS PROHIBITED

GENERAL NOTES				No	DATE	REVISION	DWN	CHK	APP	DESIGN DATA
1) ALL FLANGED CONNECTIONS WILL BE COVERED PRIOR TO SHIPMENT AND ALL CONNECTIONS TO BE PLUGGED				A	03/07/03	ISSUED FOR APPROVAL	TR	FE		
2) EQUIPMENT WILL ONLY BE DISASSEMBLED TO THE EXTENT REQUIRED FOR SAFE SHIPMENT				0	03/07/24	ISSUED FOR CONSTRUCTION	TR	FE		
3) ELECTRICAL INSTALLATION IS LIMITED TO HEATER HOOKUP ONLY				1	03/08/07	REVISED ADDED TWO FLOOR DRAINS AND TANK T-111	TR	FE		
4) INSTRUMENTS WILL BE VENTED TO ATMOSPHERE THROUGH INSTRUMENT VENT HEADER										



CLIENT	EL PASO OIL & GAS INC c/o TUXTLA GAS ENGINEERING LTD		
PROJECT	SUNDOWN d-85-g CENTRAL FACILITY 72"ID x 20'-0" S/S INLET SEPERATOR PKG PIPING PLAN & SECTIONS d-85-g / 093-P-7		
SCALE	JOB No	DWG No	REV
1/4" = 1'-0"	CPT03-6848	CPT03-6848-100	1
MATERIAL SHOWN FOR ONE (1) UNIT ONLY - ONE (1) UNIT REQUIRED			

REFERENCE DRAWINGS	DWG. NO.	NO.	DATE	PROJECT DESCRIPTION	PROJ.	AFE	EPCM Co.	EPCM No.	APPD.	ISSUE STAGE	DATE	BY	CHKD.	APPD.	PERMIT STAMP	ENGINEER'S STAMP
		1	2003-08-07	REVISED ADDED TWO FLOOR DRAINS AND TANK T-111			COMPACT									
		2	2008-12-09	ADDED ENCANAs TITLE BLOCK			ENCANA		ELG							

**CAUTION : READ BEFORE EXCAVATION**  
ALL EXCAVATIONS MUST BE CARRIED OUT AS PER "ENCANA'S GROUND DISTURBANCE PRACTICE"

**ENCANA**

COMP. STN. D-85-G  
D-85-G/93-P-7  
COMPRESSOR STATION  
D-85-G/93-P-7  
SCALE AS SHOWN

TUXTLA GAS ENGINEERING LTD.

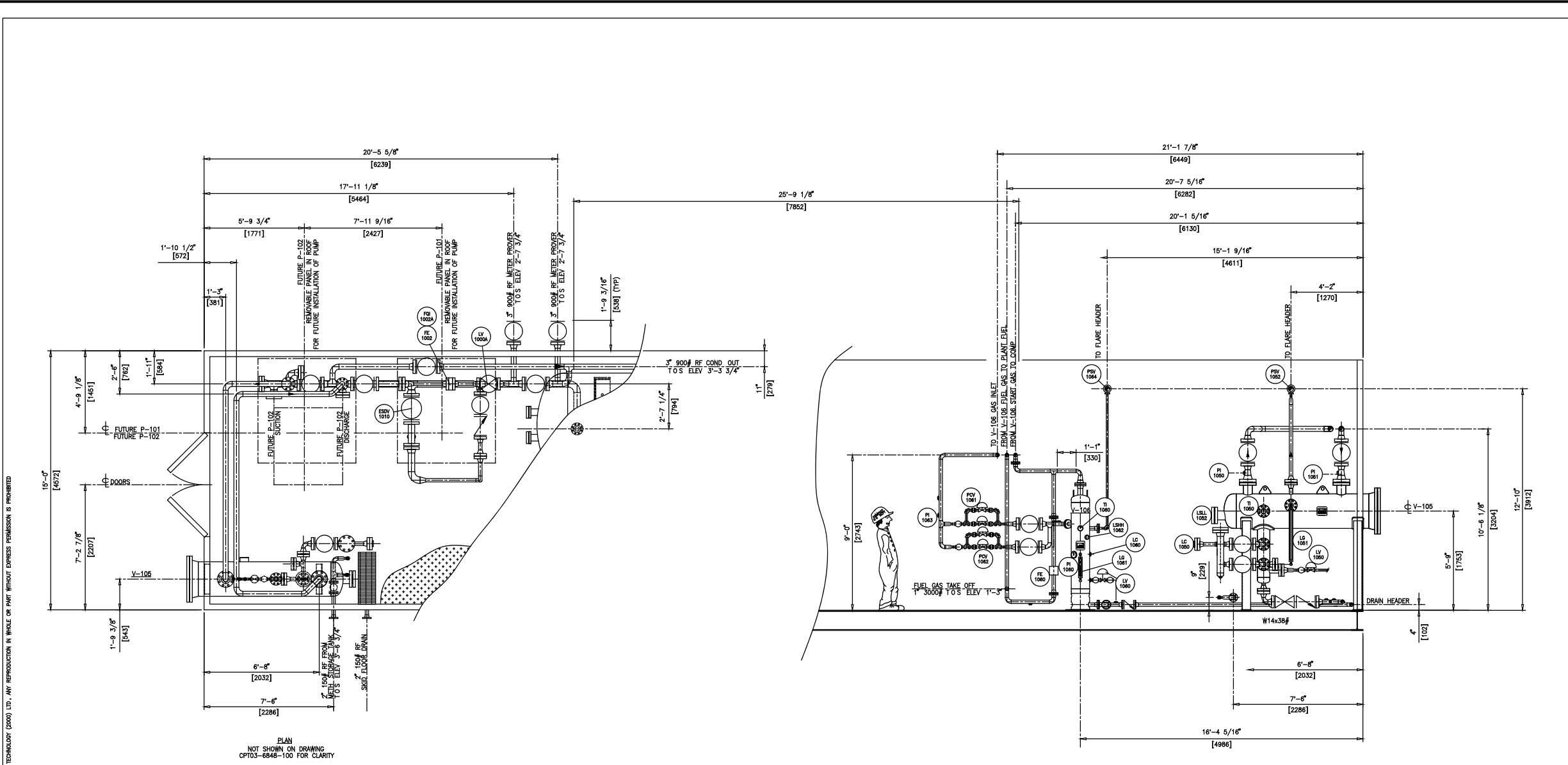
TITLE PIPING PLAN & SECTIONS 72"ID x 20'-0" S/S INLET SEPERATOR PKG

AREA SUNDOWN CLASS D FILE NO. CPT03-6848-100

Drawings Must Comply with Encana Drafting Standards (ECA-A-1)

FILE CPT03-6848-100

Date Saved: 2008-12-10 8:59am



THIS DRAWING IS THE PROPERTY OF COMPLETE PACKAGE TECHNOLOGY (2000) LTD. ANY REPRODUCTION IN WHOLE OR PART WITHOUT EXPRESS PERMISSION IS PROHIBITED

PLAN  
NOT SHOWN ON DRAWING  
CPT03-6848-100 FOR CLARITY

GENERAL NOTES	No	DATE	REVISION	DWN	CHK	APP	DESIGN DATA
1) ALL FLANGED CONNECTIONS WILL BE COVERED PRIOR TO SHIPMENT AND ALL CONNECTIONS TO BE PLUGGED	A	03/06/30	ISSUED FOR APPROVAL	TR	PE		
2) EQUIPMENT WILL ONLY BE DISASSEMBLED TO THE EXTENT REQUIRED FOR SAFE SHIPMENT	0	03/07/24	ISSUED FOR CONSTRUCTION	TR			
3) ELECTRICAL INSTALLATION IS LIMITED TO HEATER HOOKUP ONLY							
4) INSTRUMENTS WILL BE VENTED TO ATMOSPHERE THROUGH INSTRUMENT VENT HEADER							



CLIENT	EL PASO OIL & GAS INC c/o TUXTLA GAS ENGINEERING LTD		
PROJECT	SUNDOWN d-85-g CENTRAL FACILITY 72" ID x 20'-0" S/S INLET SEPARATOR PKG SECTIONS d-85-g / 093-P-7		
SCALE	JOB No	DWG No	REV
3/8" = 1'-0"	CPT03-6848	CPT03-6848-110	0
MATERIAL SHOWN FOR ONE ( 1 ) UNIT ONLY - ONE ( 1 ) UNIT REQUIRED			

**CAUTION : READ BEFORE EXCAVATION**  
ALL EXCAVATIONS MUST BE CARRIED OUT AS PER "ENCANA'S GROUND DISTURBANCE PRACTICE"

REFERENCE DRAWINGS	DWG. NO.	NO.	DATE	PROJECT DESCRIPTION	PROJ.	AFE	EPCM Co.	EPCM No.	APPD.	ISSUE STAGE	DATE	BY	CHKD.	APPD.	PERMIT STAMP	ENGINEER'S STAMP
		0	2003-07-24	ISSUED FOR CONSTRUCTION			TUXLA		TR							
		1	2008-12-10	ADDED ENCANA TITLE BLOCK			ENCANA		ELG							

<b>ENCANA</b>	COMP. STN. D-85-G
	D-85-G/93-P-7
	COMPRESSOR STATION
	D-85-G/93-P-7
TUXTLA GAS ENGINEERING LTD.	SCALE AS SHOWN
TITLE	SECTIONS 72" ID x 20'-0" S/S INLET SEPARATOR PKG
AREA	SUNDOWN
CLASS	D
FILE NO.	CPT03-6848-110

Drawings Must Comply with Encana Drafting Standards (ECA-A-1)