

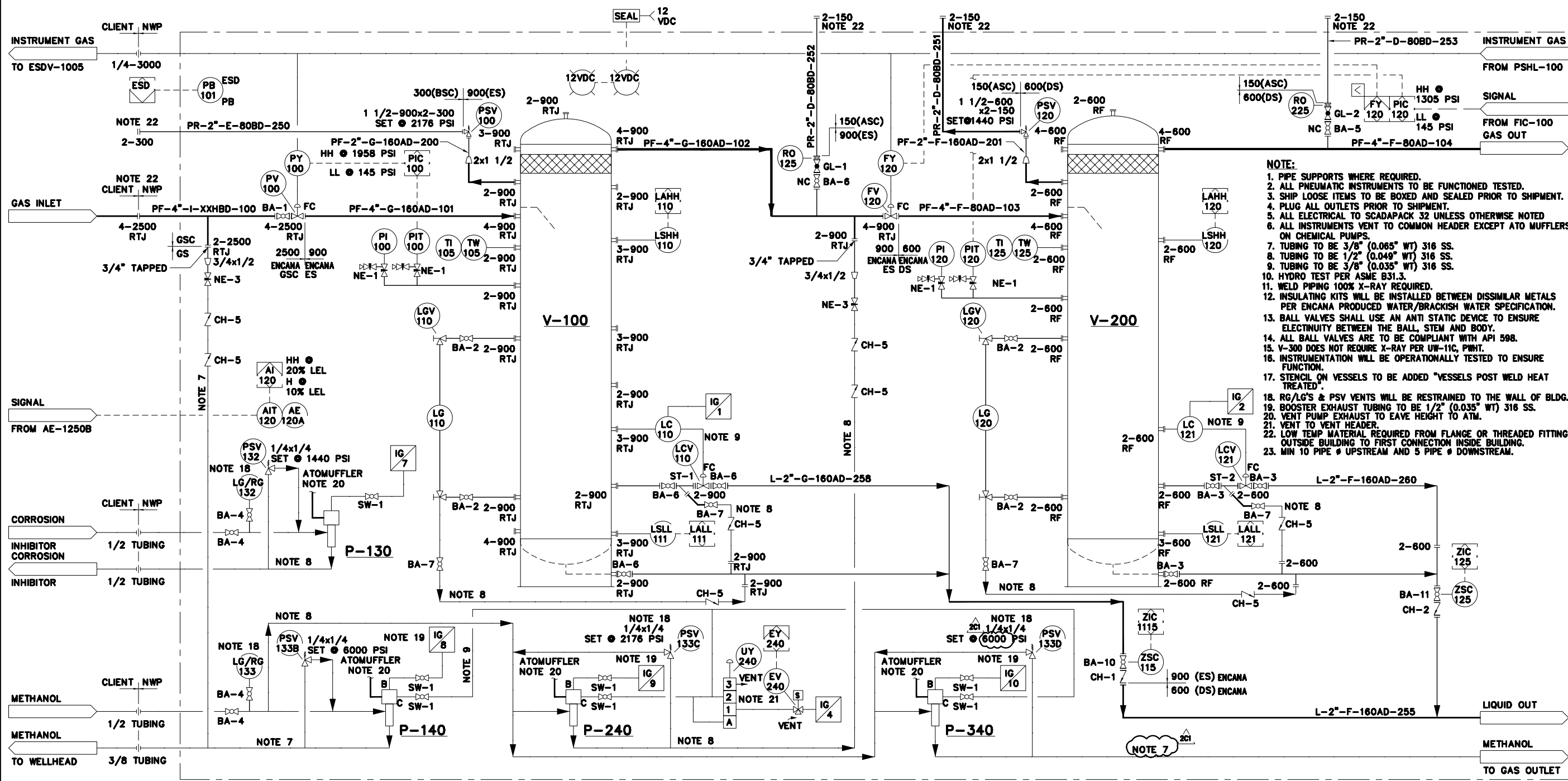
Date and Time Saved: 2013-03-20, 10:28 AM

**P-130**  
CORROSION INHIBITOR PUMP  
MFR: WILLIAMS  
MODEL NO.: CP250V225CRT

**P-140/240/340**  
METHANOL PUMP  
MFR: WILLIAMS  
MODEL NO.: CRP500V400CRT

**V-100**  
VERTICAL SEPARATOR  
MFR: NWP INDUSTRIES  
SIZE: 36" OD x 90' S/S  
MAWP: 2219 PSI @ 100F  
MDMT: -20F @ 2219 PSI  
C.A.: 1/8"  
CRN NO.: V2473.213

**V-200**  
VERTICAL SEPARATOR  
MFR: NWP INDUSTRIES  
SIZE: 24" OD x 90' S/S  
MAWP: 1480 PSI @ 100F  
MDMT: -20F @ 1480 PSI  
C.A.: 1/8"  
CRN NO.: U6054.213



- NOTE:**
- PIPE SUPPORTS WHERE REQUIRED.
  - ALL PNEUMATIC INSTRUMENTS TO BE FUNCTIONED TESTED.
  - SHIP LOOSE ITEMS TO BE BOXED AND SEALED PRIOR TO SHIPMENT.
  - PLUG ALL OUTLETS PRIOR TO SHIPMENT.
  - ALL ELECTRICAL TO SCADAPACK 32 UNLESS OTHERWISE NOTED
  - ALL INSTRUMENTS VENT TO COMMON HEADER EXCEPT ATO MUFFLERS ON CHEMICAL PUMPS.
  - TUBING TO BE 3/8" (0.085" WT) 316 SS.
  - TUBING TO BE 1/2" (0.049" WT) 316 SS.
  - TUBING TO BE 3/8" (0.035" WT) 316 SS.
  - HYDRO TEST PER ASME B31.3.
  - WELD PIPING 100% X-RAY REQUIRED.
  - INSULATING KITS WILL BE INSTALLED BETWEEN DISSIMILAR METALS PER ENCANA PRODUCED WATER/BRACKISH WATER SPECIFICATION.
  - BALL VALVES SHALL USE AN ANTI STATIC DEVICE TO ENSURE ELECTRICITY BETWEEN THE BALL, STEM AND BODY.
  - ALL BALL VALVES ARE TO BE COMPLIANT WITH API 598.
  - V-300 DOES NOT REQUIRE X-RAY PER UW-11C, PWHT.
  - INSTRUMENTATION WILL BE OPERATIONALLY TESTED TO ENSURE FUNCTION.
  - STENCIL ON VESSELS TO BE ADDED "VESSELS POST WELD HEAT TREATED".
  - RG/LG'S & PSV VENTS WILL BE RESTRAINED TO THE WALL OF BLDG.
  - BOOSTER EXHAUST TUBING TO BE 1/2" (0.035" WT) 316 SS.
  - VENT PUMP EXHAUST TO EAVE HEIGHT TO ATM.
  - VENT TO VENT HEADER.
  - LOW TEMP MATERIAL REQUIRED FROM FLANGE OR THREADED FITTING OUTSIDE BUILDING TO FIRST CONNECTION INSIDE BUILDING.
  - MIN 10 PIPE # UPSTREAM AND 5 PIPE # DOWNSTREAM.

THIS DRAWING REDRAWN FROM  
NWP INDUSTRIES 08075-003-1-1



COMP. STN. A-38-1
A-38-1/93-P-1
WELLSITE
B-35-G/93-P-1
NTS (A1 SIZE)
EN13-01984

**SOLARIS MANAGEMENT CONSULTANTS INC.**  
PIPING AND INSTRUMENTATION DIAGRAM  
DUAL SEPARATOR PACKAGE- D-100 (NWP INDUSTRIES)

CUTBANK RIDGE A CBR4211A

**CAUTION : READ BEFORE EXCAVATION**  
ALL EXCAVATIONS MUST BE CARRIED OUT AS PER  
"ENCANA'S GROUND DISTURBANCE PRACTICE"

NO.	DATE	PROJECT DESCRIPTION	PROJ.	AFE	EPCM Co.	EPCM No.	APPD.
0	2011-07-12	ISSUED FOR CONSTRUCTION			NWP INDUSTRIES		
1	2011-08-05	NWDC #00000 REVISE P-130, REMOVE PCV-308			NWP INDUSTRIES		
2	2013-03-21	CABING DIRECTION RE-01		007231	SOLARIS	EN13-01984	DLM

ISSUE STAGE	DATE	BY	CHKD.	APPD.	PERMIT STAMP	ENGINEER'S STAMP
Prelim. (A)						
Rev. (B)						
Construct. (C)	2013-03-21	BNW	VAT	DLM		
As-built (D)						

PLOTTED BY: BEN MOX  
 LAST SAVED: 3/20/2013 10:28:01 AM BY: BMOX

Drawings Must Comply with Encana Drafting Standards (ECA-DDM-S-01)