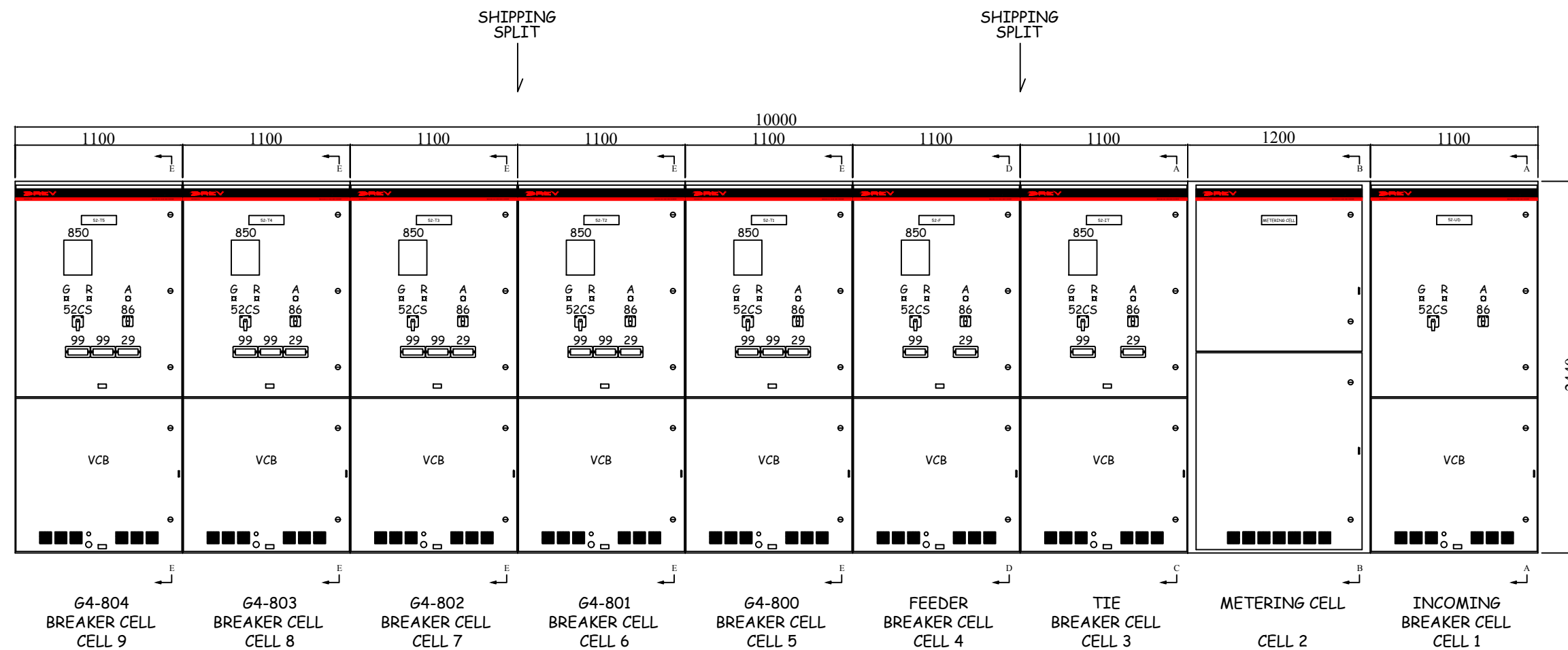


NOTES:

1. INDOOR TYPE 1 ENCLOSURE
2. 61 GREY EXTERIOR
3. WHITE INTERIOR
4. 25KV CABLES, BOTTOM ENTRY
5. CONSTRUCTED OF 12 GA. STEEL
6. BUILT TO CSA C22.2 NO 31 AS METAL CLAD SWITCHGEAR
7. SWITCHGEAR IS 3 METERS DEEP
8. 3 METERS REQUIRED IN FRONT OF SWITCHGEAR
9. 1 METER REQUIRED BEHIND SWITCHGEAR.



FRONT VIEW



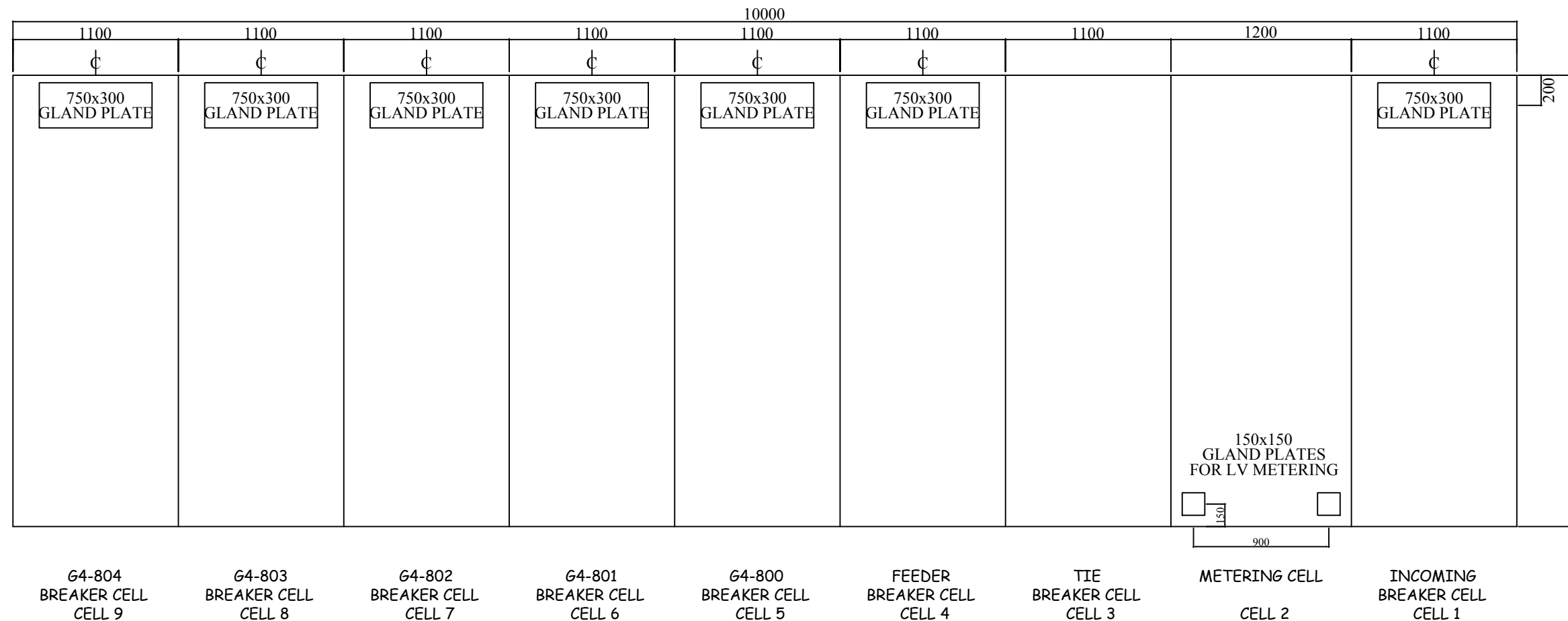
TITLE:  
25kV, INDOOR  
SWITCHGEAR  
GENERAL ARRANGEMENT

The information contained in this document must be kept strictly confidential. Any unauthorized use, reproduction, distribution or disclosure to third parties is prohibited. REV Engineering Ltd. reserves all rights regarding Intellectual Property Rights. Copyright REV Engineering Ltd. All rights reserved	2	10OCT2018	ISSUED AS-BUILT	TV	RM
	1	4SEPT2018	ISSUED FOR CONSTRUCTION	TV	RM
	0	17APR2018	ISSUED WITH QUOTE	TV	DP
	NO	DATE	DESCRIPTION	DRAWN	APPROVED
	REVISION TABLE				

CLIENT:
END USER:
PO NO: TBA
SCALE: N.T.S.
SHEET: 1 OF 7
DWG NO: M200211-01.0001
REV: 2

**NOTES:**

1. INDOOR TYPE 1 ENCLOSURE
2. 61 GREY EXTERIOR
3. WHITE INTERIOR
4. 25KV CABLES, BOTTOM ENTRY
5. CONSTRUCTED OF 12 GA. STEEL
6. BUILT TO CSA C22.2 NO 31 AS METAL CLAD SWITCHGEAR
7. SWITCHGEAR IS 3 METERS DEEP
8. 3 METERS REQUIRED IN FRONT OF SWITCHGEAR
9. 1 METER REQUIRED BEHIND SWITCHGEAR.



**BASE PLAN  
(FRONT)**



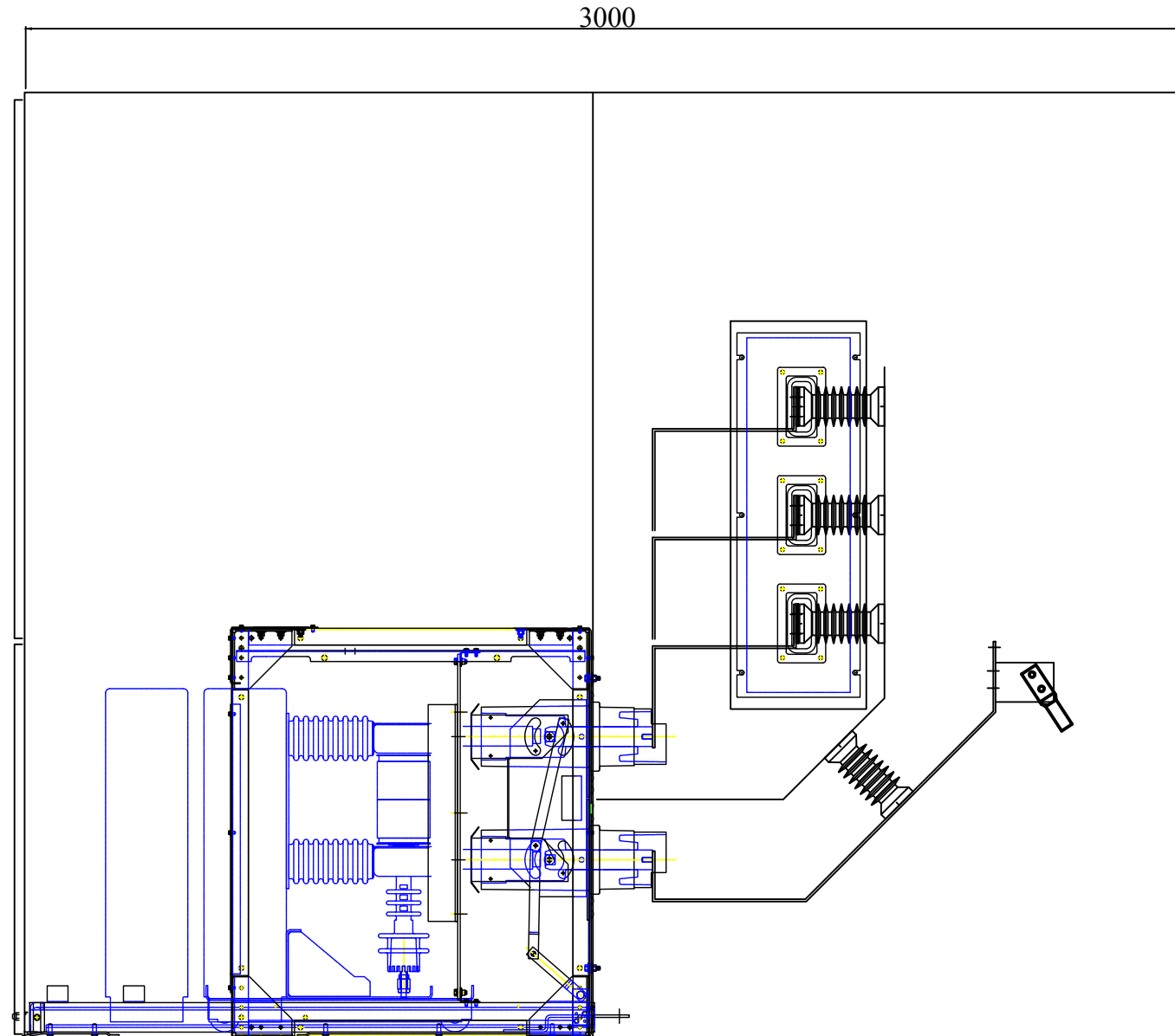
TITLE:  
**25kV, INDOOR  
SWITCHGEAR  
GENERAL ARRANGEMENT**

The information contained in this document must be kept strictly confidential. Any unauthorized use, reproduction, distribution or disclosure to third parties is prohibited. REV Engineering Ltd. reserves all rights regarding Intellectual Property Rights. Copyright REV Engineering Ltd. All rights reserved					
	2	10OCT2018	ISSUED AS-BUILT	TV	RM
	1	4SEPT2018	ISSUED FOR CONSTRUCTION	TV	RM
	0	8AUG2018	ISSUED FOR INFORMATION	TV	RM
	NO	DATE	DESCRIPTION	DRAWN	APPROVED

CLIENT:
END USER:
PO NO: TBA
SCALE: N.T.S.
SHEET: 2 OF 7
DWG NO: M200211-01.0001
REV: 2

NOTES:

1. INDOOR TYPE 1 ENCLOSURE
2. 61 GREY EXTERIOR
3. WHITE INTERIOR
4. 25KV CABLES, BOTTOM ENTRY
5. CONSTRUCTED OF 12 GA. STEEL
6. BUILT TO CSA C22.2 NO 31 AS METAL CLAD SWITCHGEAR
7. SWITCHGEAR IS 3 METERS DEEP
8. 3 METERS REQUIRED IN FRONT OF SWITCHGEAR
9. 1 METER REQUIRED BEHIND SWITCHGEAR.



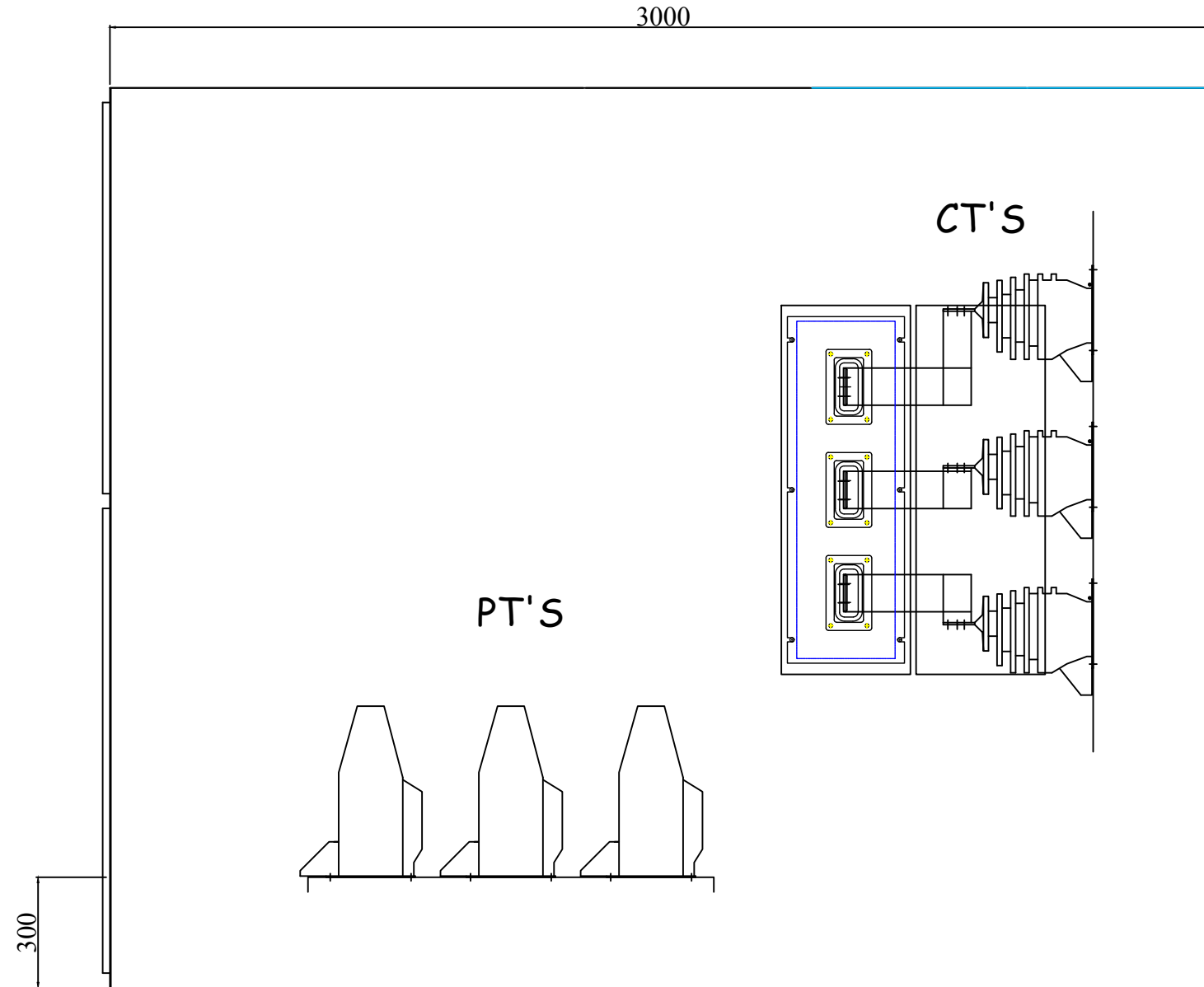
SECTION THROUGH A-A  
INCOMING BREAKER CELL



TITLE:  
25KV, INDOOR  
SWITCHGEAR  
GENERAL ARRANGEMENT

The information contained in this document must be kept strictly confidential. Any unauthorized use, reproduction, distribution or disclosure to third parties is prohibited. REV Engineering Ltd. reserves all rights regarding Intellectual Property Rights. Copyright REV Engineering Ltd. All rights reserved					
	2	10OCT2018	ISSUED AS-BUILT	TV	RM
	1	4SEPT2018	ISSUED FOR CONSTRUCTION	TV	RM
	0	13AUG2018	ISSUED FOR INFORMATION	TV	RM
	NO	DATE	DESCRIPTION	DRAWN	APPROVED

CLIENT:
END USER:
PO NO: TBA
SCALE: N.T.S.
SHEET: 3 OF 7
DWG NO: M200211-01.0001
REV: 2



SECTION THROUGH B-B  
METERING CELL

NOTES:

1. INDOOR TYPE 1 ENCLOSURE
2. 61 GREY EXTERIOR
3. WHITE INTERIOR
4. 25KV CABLES, BOTTOM ENTRY
5. CONSTRUCTED OF 12 GA. STEEL
6. BUILT TO CSA C22.2 NO 31 AS METAL CLAD SWITCHGEAR
7. SWITCHGEAR IS 3 METERS DEEP
8. 3 METERS REQUIRED IN FRONT OF SWITCHGEAR
9. 1 METER REQUIRED BEHIND SWITCHGEAR.



TITLE:  
25KV, INDOOR  
SWITCHGEAR  
GENERAL ARRANGEMENT

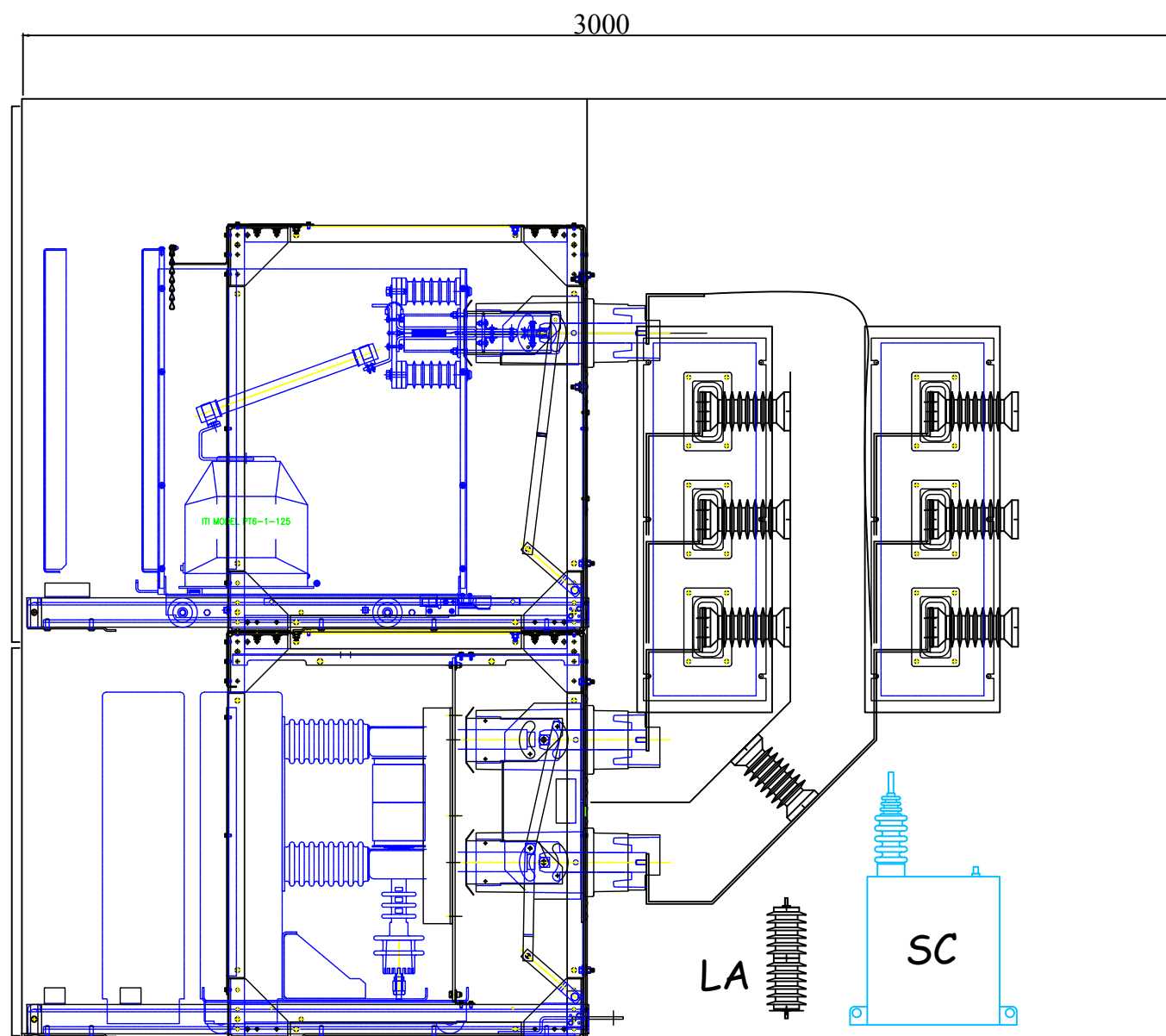
NO	DATE	DESCRIPTION	DRAWN	APPROVED
2	10OCT2018	ISSUED AS-BUILT	TV	RM
1	4SEPT2018	ISSUED FOR CONSTRUCTION	TV	RM
0	13AUG2018	ISSUED FOR INFORMATION	TV	RM

The information contained in this document must be kept strictly confidential. Any unauthorized use, reproduction, distribution or disclosure to third parties is prohibited. REV Engineering Ltd. reserves all rights regarding Intellectual Property Rights.  
Copyright REV Engineering Ltd. All rights reserved

CLIENT:
END USER:
PO NO: TBA
SCALE: N.T.S.
SHEET: 4 OF 7
DWG NO: M200211-01.0001
REV: 2

NOTES:

1. INDOOR TYPE 1 ENCLOSURE
2. 61 GREY EXTERIOR
3. WHITE INTERIOR
4. 25KV CABLES, BOTTOM ENTRY
5. CONSTRUCTED OF 12 GA. STEEL
6. BUILT TO CSA C22.2 NO 31 AS METAL CLAD SWITCHGEAR
7. SWITCHGEAR IS 3 METERS DEEP
8. 3 METERS REQUIRED IN FRONT OF SWITCHGEAR
9. 1 METER REQUIRED BEHIND SWITCHGEAR.



SECTION THROUGH C-C  
TIE BREAKER CELL



TITLE:

25KV, INDOOR  
SWITCHGEAR  
GENERAL ARRANGEMENT

CLIENT:

END USER:

PO NO: TBA

SCALE: N.T.S.

SHEET: 5 OF 7

DWG NO: M200211-01.0001

REV: 2

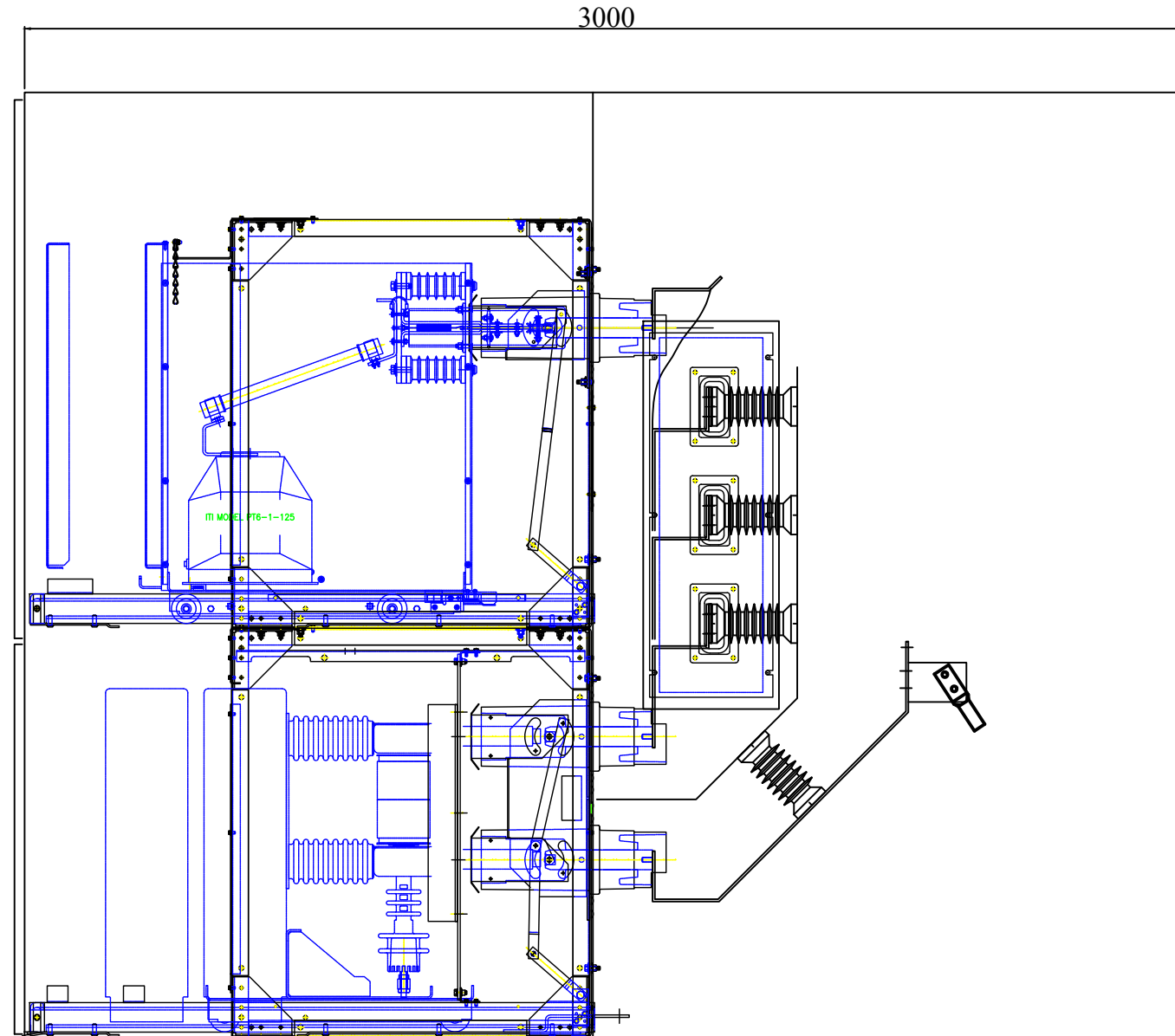
The information contained in this document must be kept strictly confidential. Any unauthorized use, reproduction, distribution or disclosure to third parties is prohibited. REV Engineering Ltd. reserves all rights regarding Intellectual Property Rights.  
© Copyright REV Engineering Ltd. All rights reserved

NO	DATE	DESCRIPTION	DRAWN	APPROVED
2	10OCT2018	ISSUED AS-BUILT	TV	RM
1	4SEPT2018	ISSUED FOR CONSTRUCTION	TV	RM
0	13AUG2018	ISSUED FOR INFORMATION	TV	RM
NO	DATE	DESCRIPTION	DRAWN	APPROVED

REVISION TABLE

NOTES:

1. INDOOR TYPE 1 ENCLOSURE
2. 61 GREY EXTERIOR
3. WHITE INTERIOR
4. 25KV CABLES, BOTTOM ENTRY
5. CONSTRUCTED OF 12 GA. STEEL
6. BUILT TO CSA C22.2 NO 31 AS METAL CLAD SWITCHGEAR
7. SWITCHGEAR IS 3 METERS DEEP
8. 3 METERS REQUIRED IN FRONT OF SWITCHGEAR
9. 1 METER REQUIRED BEHIND SWITCHGEAR.



SECTION THROUGH D-D  
FEEDER BREAKER CELL



TITLE:

25KV, INDOOR  
SWITCHGEAR  
GENERAL ARRANGEMENT

CLIENT:

END USER:

PO NO: TBA

SCALE: N.T.S.

SHEET: 6 OF 7

DWG NO: M200211-01.0001

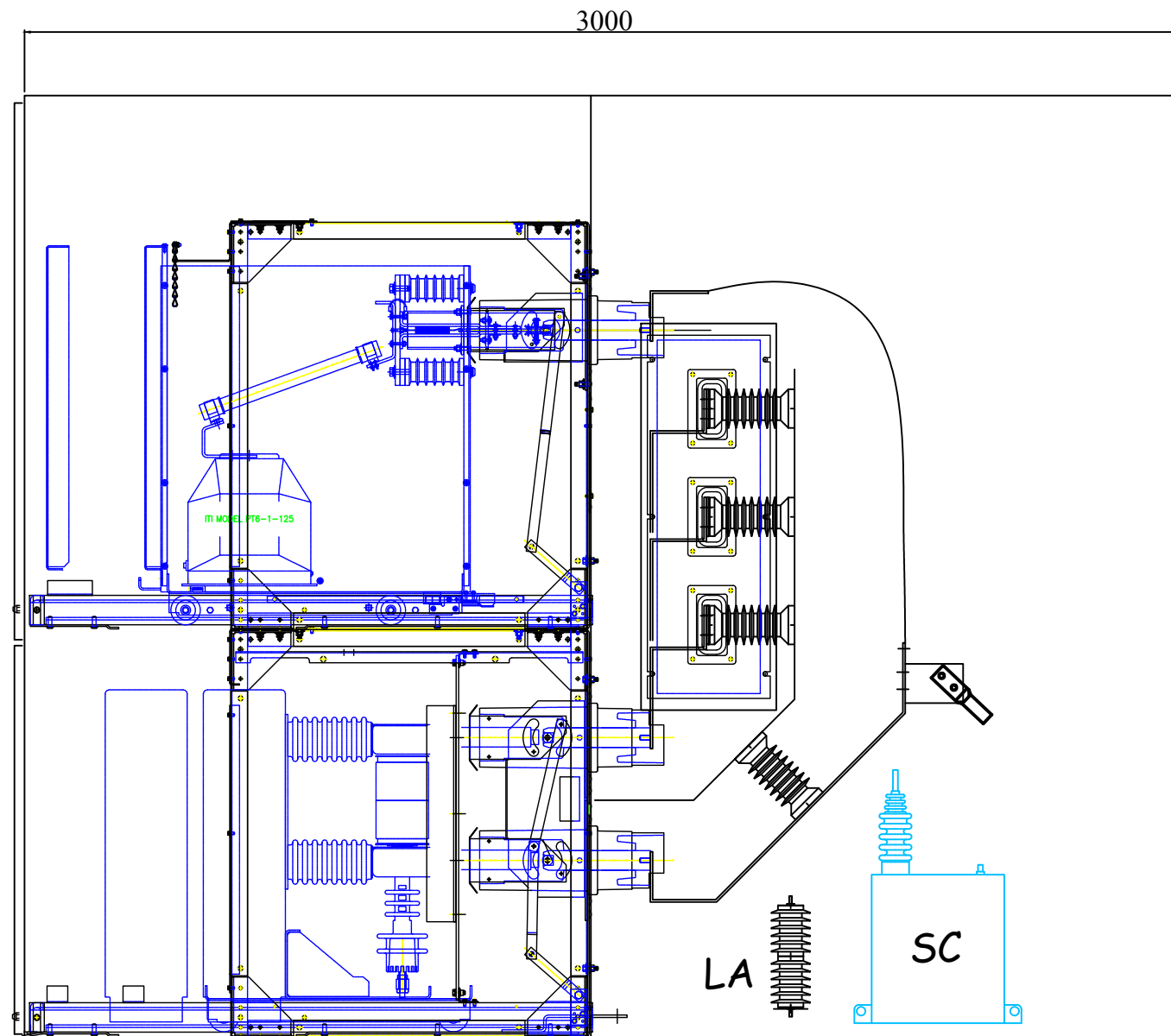
REV: 2

The information contained in this document must be kept strictly confidential. Any unauthorized use, reproduction, distribution or disclosure to third parties is prohibited. REV Engineering Ltd. reserves all rights regarding Intellectual Property Rights.  
© Copyright REV Engineering Ltd. All rights reserved

NO	DATE	DESCRIPTION	DRAWN	APPROVED
2	10OCT2018	ISSUED AS-BUILT	TV	RM
1	4SEPT2018	ISSUED FOR CONSTRUCTION	TV	RM
0	13AUG2018	ISSUED FOR INFORMATION	TV	RM
REVISION TABLE				

NOTES:

1. INDOOR TYPE 1 ENCLOSURE
2. 61 GREY EXTERIOR
3. WHITE INTERIOR
4. 25KV CABLES, BOTTOM ENTRY
5. CONSTRUCTED OF 12 GA. STEEL
6. BUILT TO CSA C22.2 NO 31 AS METAL CLAD SWITCHGEAR
7. SWITCHGEAR IS 3 METERS DEEP
8. 3 METERS REQUIRED IN FRONT OF SWITCHGEAR
9. 1 METER REQUIRED BEHIND SWITCHGEAR.



SECTION THROUGH E-E  
GENERATOR BREAKER CELL



TITLE:

25KV, INDOOR  
SWITCHGEAR  
GENERAL ARRANGEMENT

CLIENT:

END USER:

PO NO: TBA

SCALE: N.T.S.

SHEET: 7 OF 7

DWG NO: M200211-01.0001

REV: 2

The information contained in this document must be kept strictly confidential. Any unauthorized use, reproduction, distribution or disclosure to third parties is prohibited. REV Engineering Ltd. reserves all rights regarding Intellectual Property Rights.  
© Copyright REV Engineering Ltd. All rights reserved

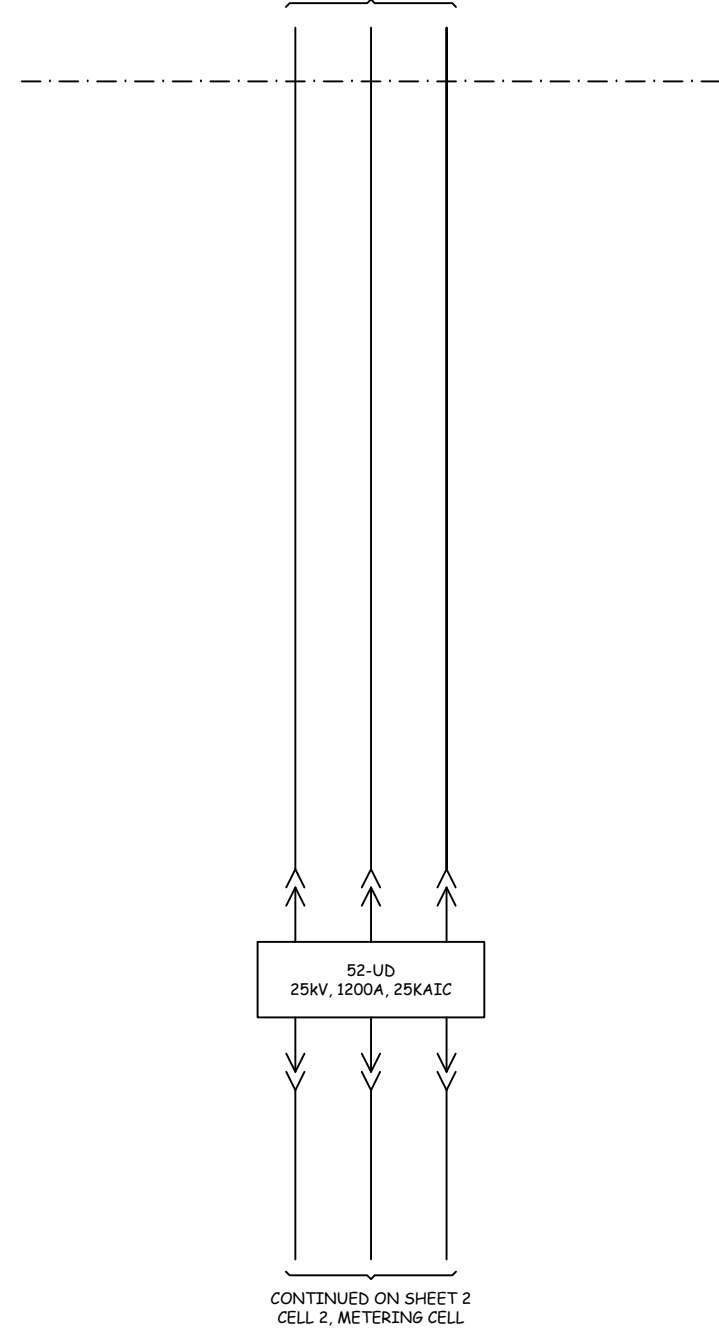
NO	DATE	DESCRIPTION	DRAWN	APPROVED
2	10OCT2018	ISSUED AS-BUILT	TV	RM
1	4SEPT2018	ISSUED FOR CONSTRUCTION	TV	RM
0	13AUG2018	ISSUED FOR INFORMATION	TV	RM
NO	DATE	DESCRIPTION	DRAWN	APPROVED

REVISION TABLE

**NOTES:**

1. WIRE NUMBER SHALL BE THE TERMINAL NUMBER UNLESS OTHERWISE NOTED.
2. WIRE NUMBER SHALL NOT CHANGE AS IT PASSES THROUGH A TERMINAL BLOCK, UNLESS OTHERWISE NOTED.
3. ALL CT WIRING SHALL BE #12

25KV OVERHEAD DISTRIBUTION LINE  
SASK POWER TERMINATION POINT  
DEAD END WITH SWITCHES

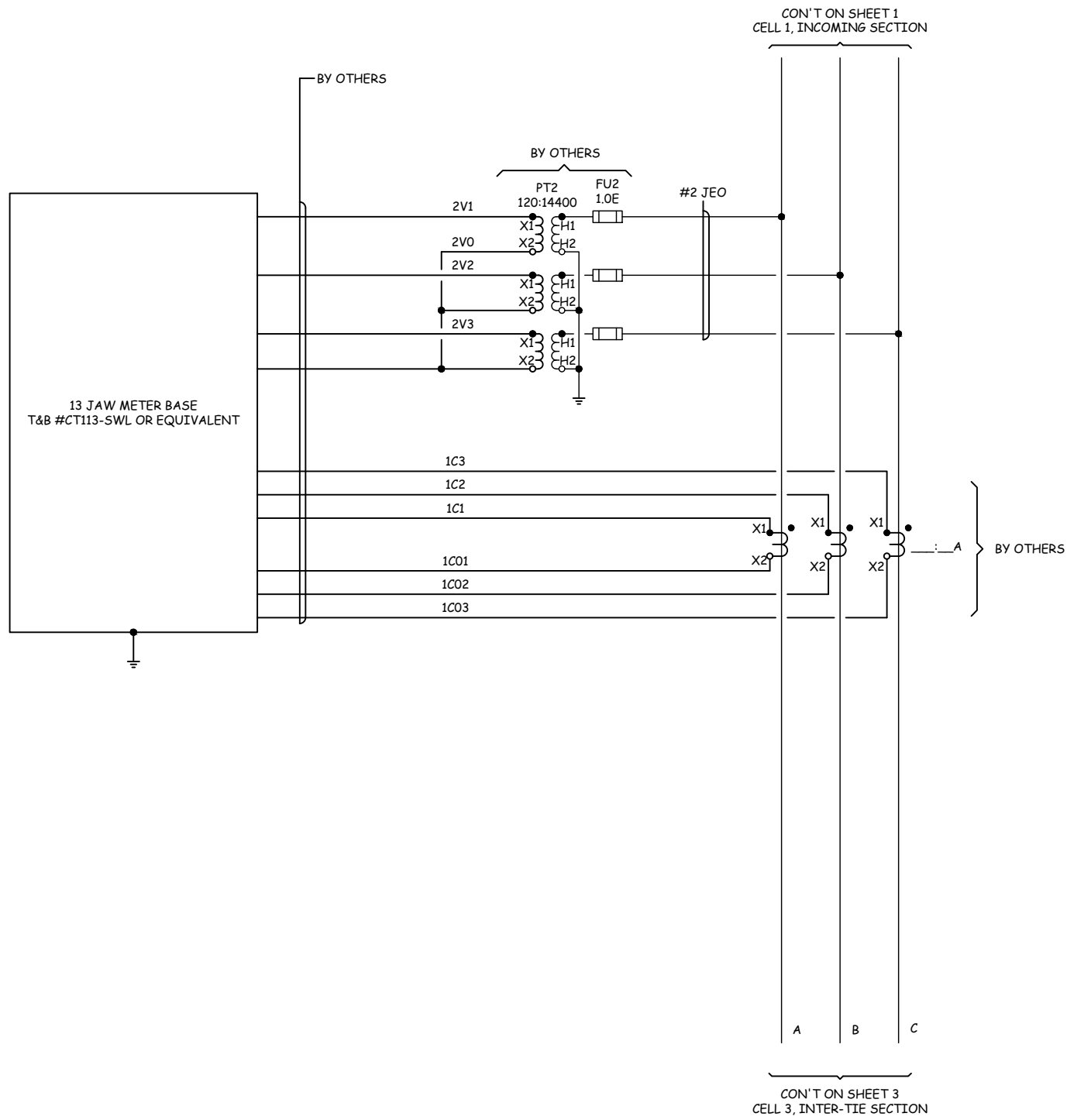


TITLE:  
25kV / 1200A / 25kA  
SWITCHGEAR LINE-UP  
THREE LINE DIAGRAM

<p>The information contained in this document must be kept strictly confidential. Any unauthorized use, reproduction, distribution or disclosure to third parties is prohibited. REV Engineering Ltd. reserves all rights regarding Intellectual Property Rights. © Copyright REV Engineering Ltd. All rights reserved</p>					
	2	10OCT2018	ISSUED AS-BUILT	TV	RM
	1	6JULY2018	ISSUED FOR CONSTRUCTION	TV	RM
	0	12JUN2018	ISSUED FOR APPROVAL	VW	RM
	NO	DATE	DESCRIPTION	DRAWN	APPROVED
	REVISION TABLE				

CLIENT:	
END USER:	
PO NO:	18141-00-PO-30-001
SCALE:	NTS
SHEET:	1 OF 9
DWG NO:	M200211-01.2001
REV:	2





**NOTES:**

1. WIRE NUMBER SHALL BE THE TERMINAL NUMBER UNLESS OTHERWISE NOTED.
2. WIRE NUMBER SHALL NOT CHANGE AS IT PASSES THROUGH A TERMINAL BLOCK, UNLESS OTHERWISE NOTED.
3. ALL CT WIRING SHALL BE #12



TITLE:  
25kV / 1200A / 25kA  
SWITCHGEAR LINE-UP  
THREE LINE DIAGRAM

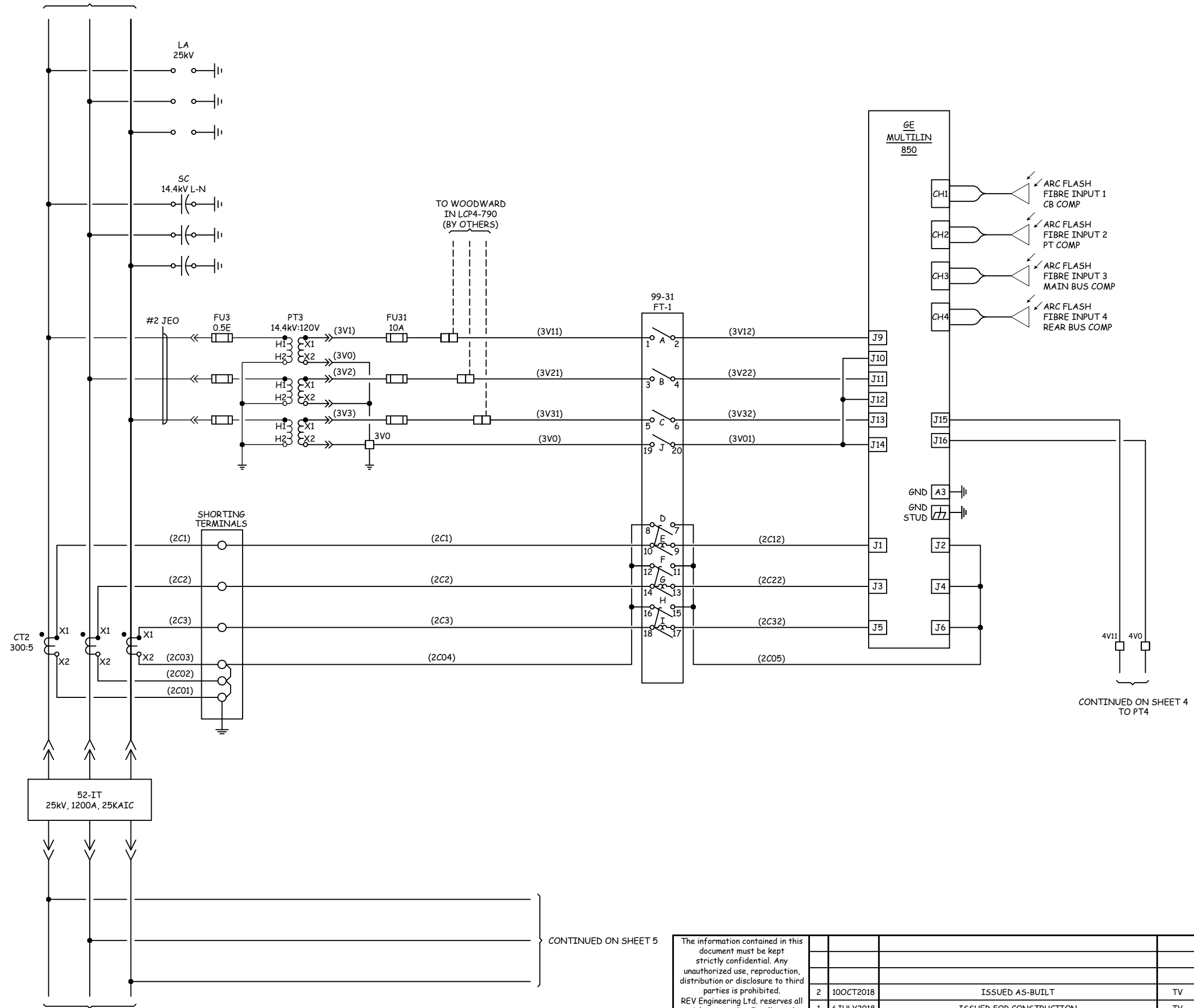
NO	DATE	DESCRIPTION	DRAWN	APPROVED
2	10OCT2018	ISSUED AS-BUILT	TV	RM
1	6JULY2018	ISSUED FOR CONSTRUCTION	TV	RM
0	12JUN2018	ISSUED FOR APPROVAL	VW	RM

REVISION TABLE

The information contained in this document must be kept strictly confidential. Any unauthorized use, reproduction, distribution or disclosure to third parties is prohibited.  
REV Engineering Ltd. reserves all rights regarding Intellectual Property Rights.  
© Copyright REV Engineering Ltd. All rights reserved

CLIENT:  
END USER:  
PO NO: 18141-00-PO-30-001  
SCALE: NTS  
SHEET: 2 OF 9  
DWG NO: M200211-01.2001  
REV: 2

CONTINUED ON SHEET 2  
CELL 2, UTILITY METERING CELL



CONTINUED ON SHEET 4  
TO PT4

CONTINUED ON SHEET 4

CONTINUED ON SHEET 5

NOTES:

1. WIRE NUMBER SHALL BE THE TERMINAL NUMBER UNLESS OTHERWISE NOTED.
2. WIRE NUMBER SHALL NOT CHANGE AS IT PASSES THROUGH A TERMINAL BLOCK, UNLESS OTHERWISE NOTED.
3. ALL CT WIRING SHALL BE #12



TITLE:  
25kV / 1200A / 25KA  
SWITCHGEAR LINE-UP  
THREE LINE DIAGRAM

The information contained in this document must be kept strictly confidential. Any unauthorized use, reproduction, distribution or disclosure to third parties is prohibited. REV Engineering Ltd. reserves all rights regarding Intellectual Property Rights. Copyright REV Engineering Ltd. All rights reserved

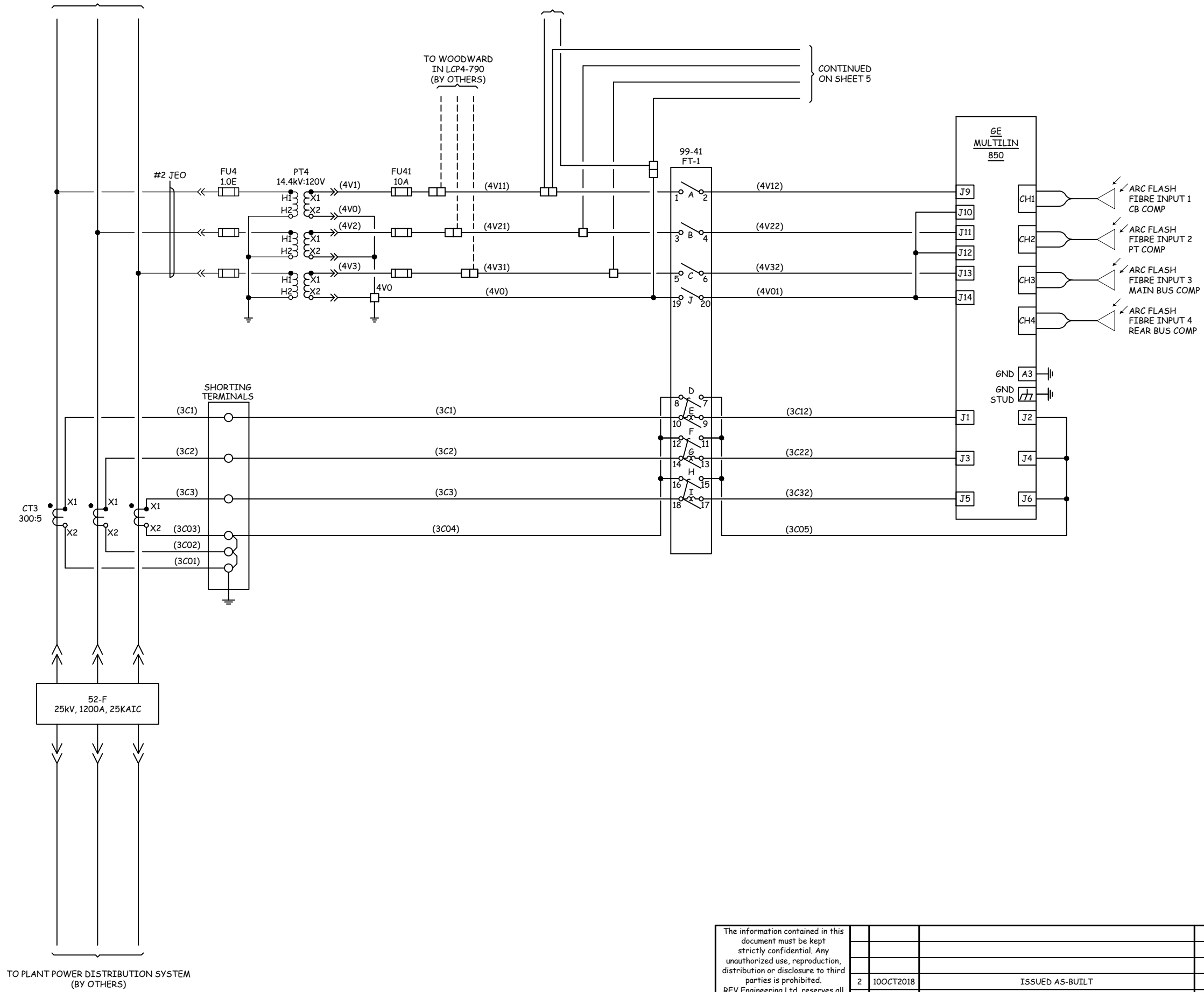
NO	DATE	DESCRIPTION	DRAWN	APPROVED
2	10OCT2018	ISSUED AS-BUILT	TV	RM
1	6JULY2018	ISSUED FOR CONSTRUCTION	TV	RM
0	12JUN2018	ISSUED FOR APPROVAL	VW	RM

REVISION TABLE

CLIENT:	
END USER:	
PO NO:	18141-00-PO-30-001
SCALE:	NTS
SHEET:	3 OF 9
DWG NO:	M200211-01.2001
REV:	2

CONTINUED ON SHEET 3

CONTINUED ON SHEET 3  
CELL 3, TO 850



**NOTES:**

1. WIRE NUMBER SHALL BE THE TERMINAL NUMBER UNLESS OTHERWISE NOTED.
2. WIRE NUMBER SHALL NOT CHANGE AS IT PASSES THROUGH A TERMINAL BLOCK, UNLESS OTHERWISE NOTED.
3. ALL CT WIRING SHALL BE #12



TITLE:  
25kV / 1200A / 25KA  
SWITCHGEAR LINE-UP  
THREE LINE DIAGRAM

The information contained in this document must be kept strictly confidential. Any unauthorized use, reproduction, distribution or disclosure to third parties is prohibited.  
REV Engineering Ltd. reserves all rights regarding Intellectual Property Rights.  
© Copyright REV Engineering Ltd. All rights reserved

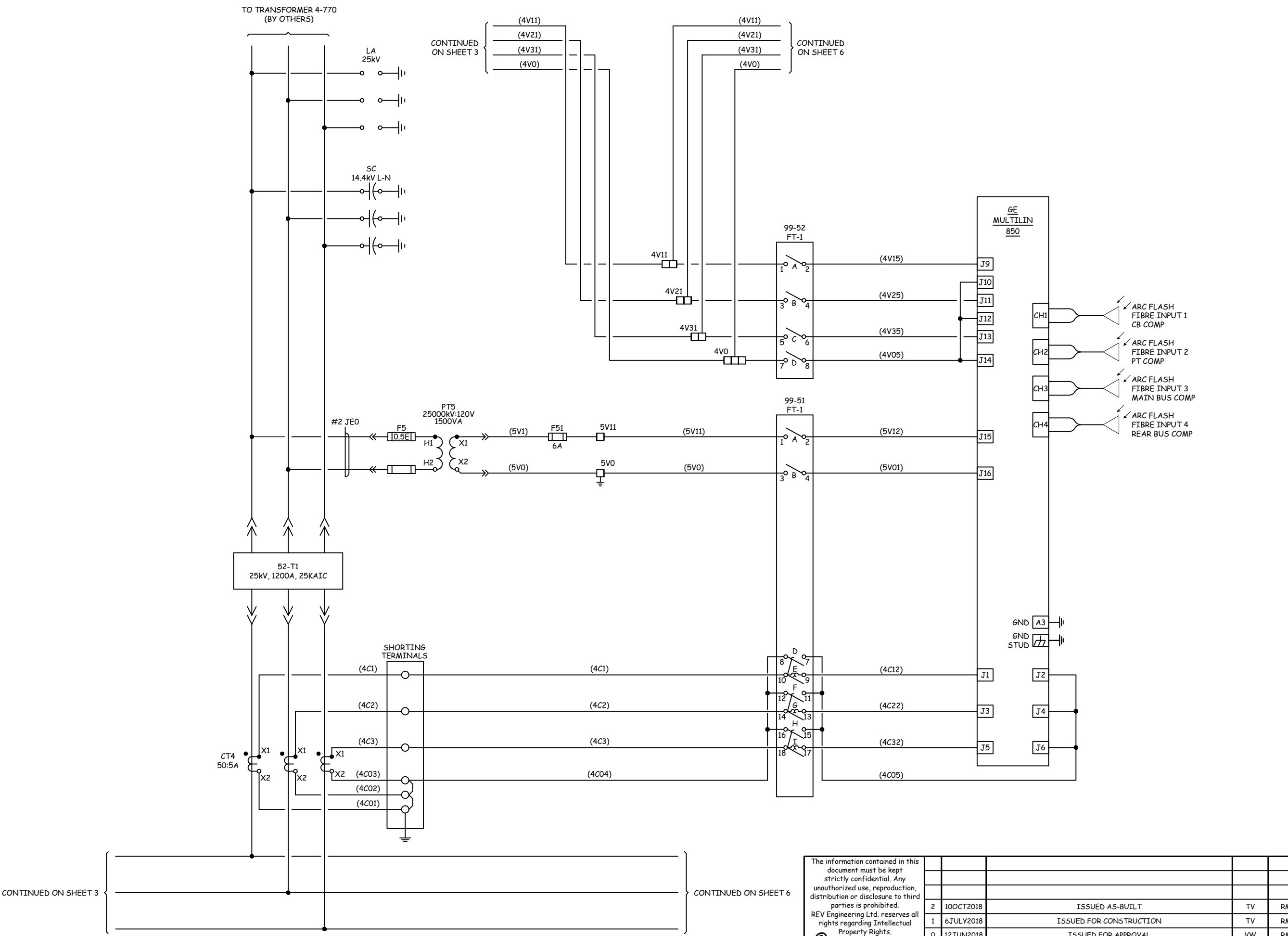
NO	DATE	DESCRIPTION	DRAWN	APPROVED
2	10OCT2018	ISSUED AS-BUILT	TV	RM
1	6JULY2018	ISSUED FOR CONSTRUCTION	TV	RM
0	12JUN2018	ISSUED FOR APPROVAL	VW	RM

CLIENT:	
END USER:	
PO NO:	18141-00-PO-30-001
SCALE:	NTS
SHEET:	4 OF 9
DWG NO:	M200211-01.2001
REV:	2

REVISION TABLE

**NOTES:**

1. WIRE NUMBER SHALL BE THE TERMINAL NUMBER UNLESS OTHERWISE NOTED.
2. WIRE NUMBER SHALL NOT CHANGE AS IT PASSES THROUGH A TERMINAL BLOCK, UNLESS OTHERWISE NOTED.
3. ALL CT WIRING SHALL BE #12



CONTINUED ON SHEET 3

CONTINUED ON SHEET 3

CONTINUED ON SHEET 6

CONTINUED ON SHEET 6

The information contained in this document must be kept strictly confidential. Any unauthorized use, reproduction, distribution or disclosure to third parties is prohibited. REV Engineering Ltd. reserves all rights regarding Intellectual Property Rights. © Copyright REV Engineering Ltd. All rights reserved

NO	DATE	DESCRIPTION	DRAWN	APPROVED
2	10OCT2018	ISSUED AS-BUILT	TV	RM
1	6JULY2018	ISSUED FOR CONSTRUCTION	TV	RM
0	12JUN2018	ISSUED FOR APPROVAL	VW	RM

REVISION TABLE

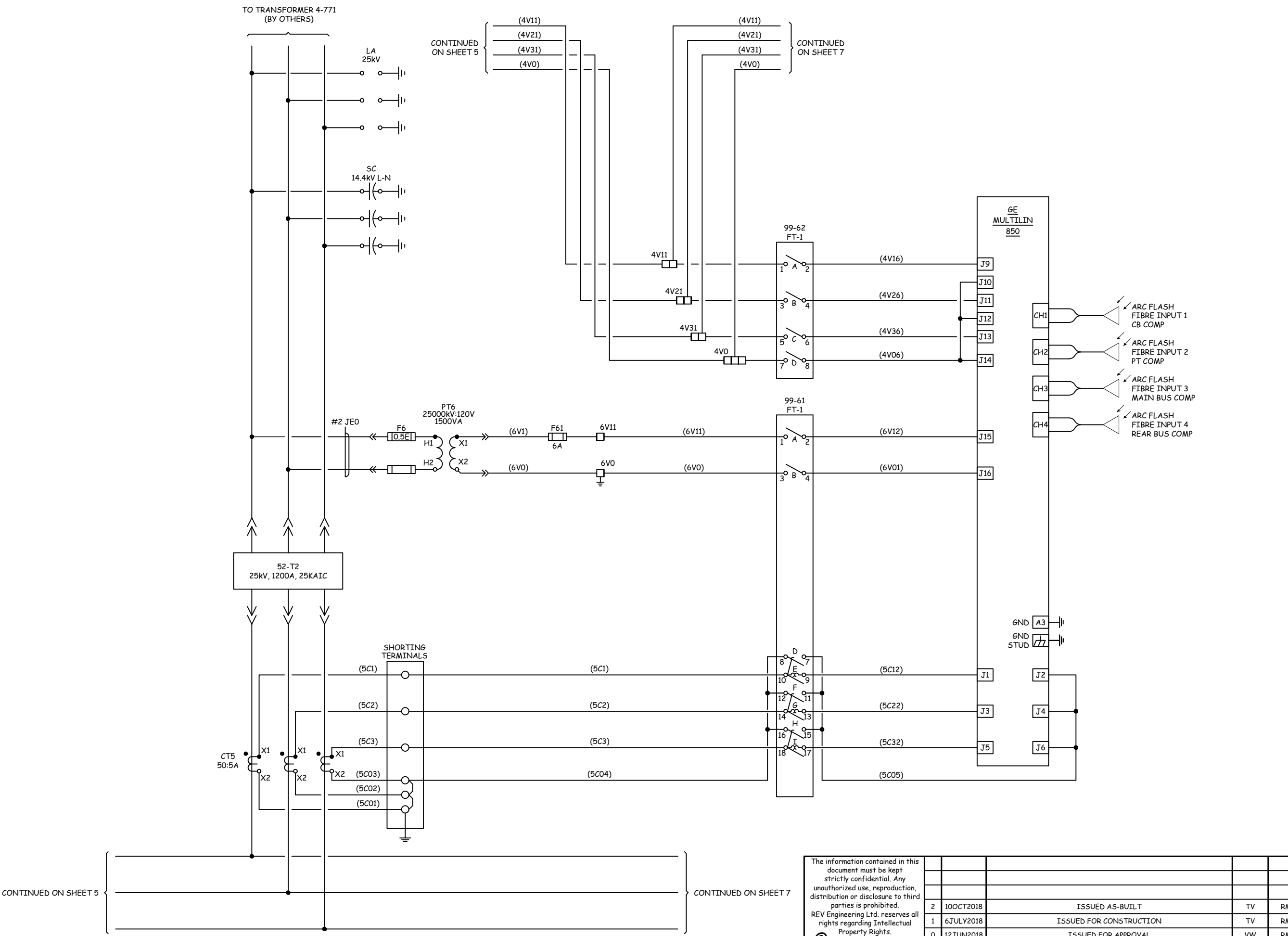


TITLE:  
25kV / 1200A / 25KA  
SWITCHGEAR LINE-UP  
THREE LINE DIAGRAM

CLIENT:	
END USER:	
PO NO:	18141-00-PO-30-001
SCALE:	NTS
SHEET:	5 OF 9
DWG NO:	M200211-01.2001
REV:	2

**NOTES:**

1. WIRE NUMBER SHALL BE THE TERMINAL NUMBER UNLESS OTHERWISE NOTED.
2. WIRE NUMBER SHALL NOT CHANGE AS IT PASSES THROUGH A TERMINAL BLOCK, UNLESS OTHERWISE NOTED.
3. ALL CT WIRING SHALL BE #12



CONTINUED ON SHEET 5

CONTINUED ON SHEET 5

CONTINUED ON SHEET 7

CONTINUED ON SHEET 7

The information contained in this document must be kept strictly confidential. Any unauthorized use, reproduction, distribution or disclosure to third parties is prohibited. REV Engineering Ltd. reserves all rights regarding Intellectual Property Rights. Copyright REV Engineering Ltd. All rights reserved

NO	DATE	DESCRIPTION	DRAWN	APPROVED
2	10OCT2018	ISSUED AS-BUILT	TV	RM
1	6JULY2018	ISSUED FOR CONSTRUCTION	TV	RM
0	12JUN2018	ISSUED FOR APPROVAL	VW	RM

REVISION TABLE

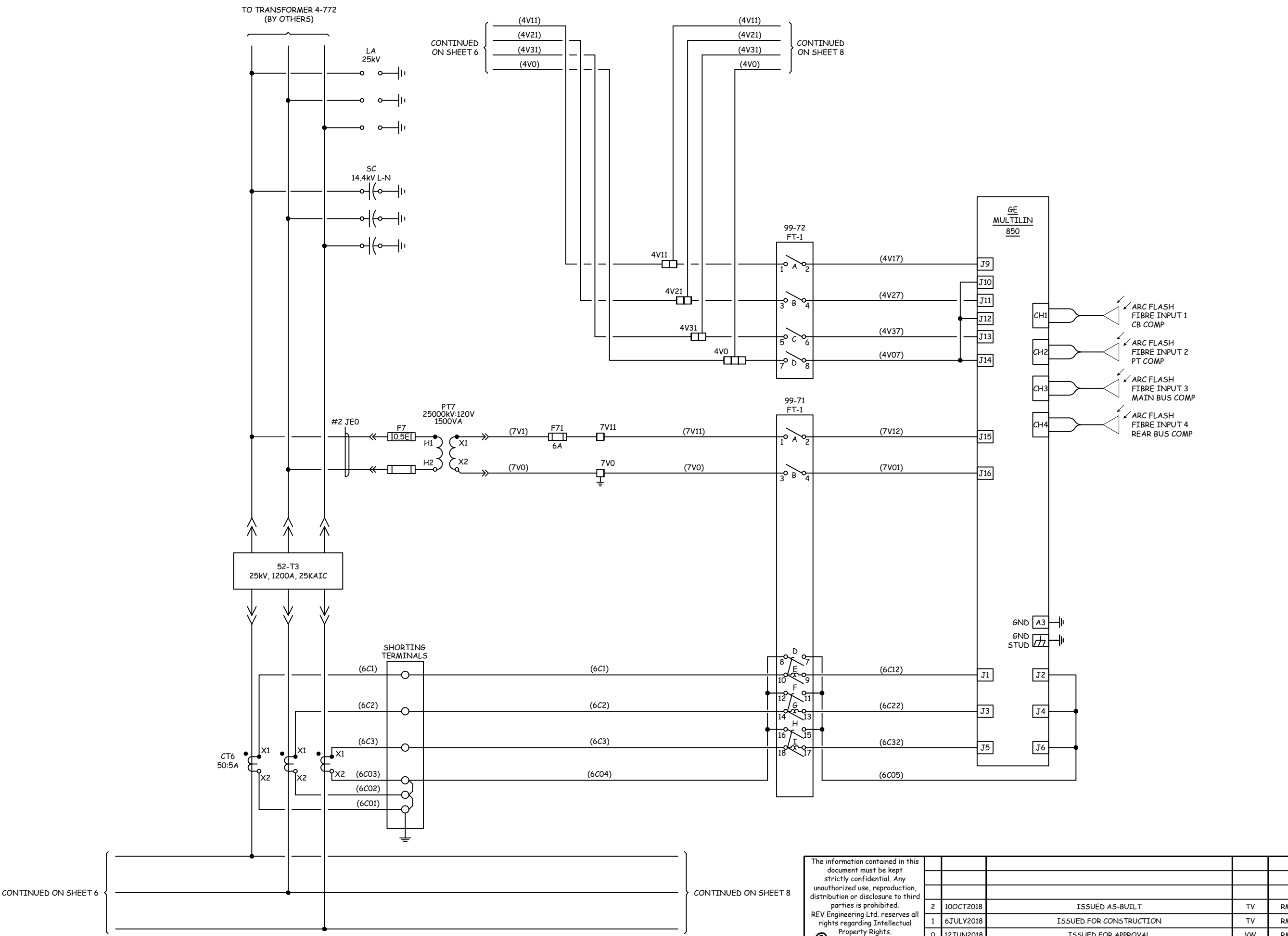


TITLE:  
25kV / 1200A / 25KA  
SWITCHGEAR LINE-UP  
THREE LINE DIAGRAM

CLIENT:	
END USER:	
PO NO:	18141-00-PO-30-001
SCALE:	NTS
SHEET:	6 OF 9
DWG NO:	M200211-01.2001
REV:	2

**NOTES:**

1. WIRE NUMBER SHALL BE THE TERMINAL NUMBER UNLESS OTHERWISE NOTED.
2. WIRE NUMBER SHALL NOT CHANGE AS IT PASSES THROUGH A TERMINAL BLOCK, UNLESS OTHERWISE NOTED.
3. ALL CT WIRING SHALL BE #12



CONTINUED ON SHEET 6

CONTINUED ON SHEET 6

CONTINUED ON SHEET 8

CONTINUED ON SHEET 8

The information contained in this document must be kept strictly confidential. Any unauthorized use, reproduction, distribution or disclosure to third parties is prohibited. REV Engineering Ltd. reserves all rights regarding Intellectual Property Rights. © Copyright REV Engineering Ltd. All rights reserved

NO	DATE	DESCRIPTION	DRAWN	APPROVED
2	10OCT2018	ISSUED AS-BUILT	TV	RM
1	6JULY2018	ISSUED FOR CONSTRUCTION	TV	RM
0	12JUN2018	ISSUED FOR APPROVAL	VW	RM

REVISION TABLE

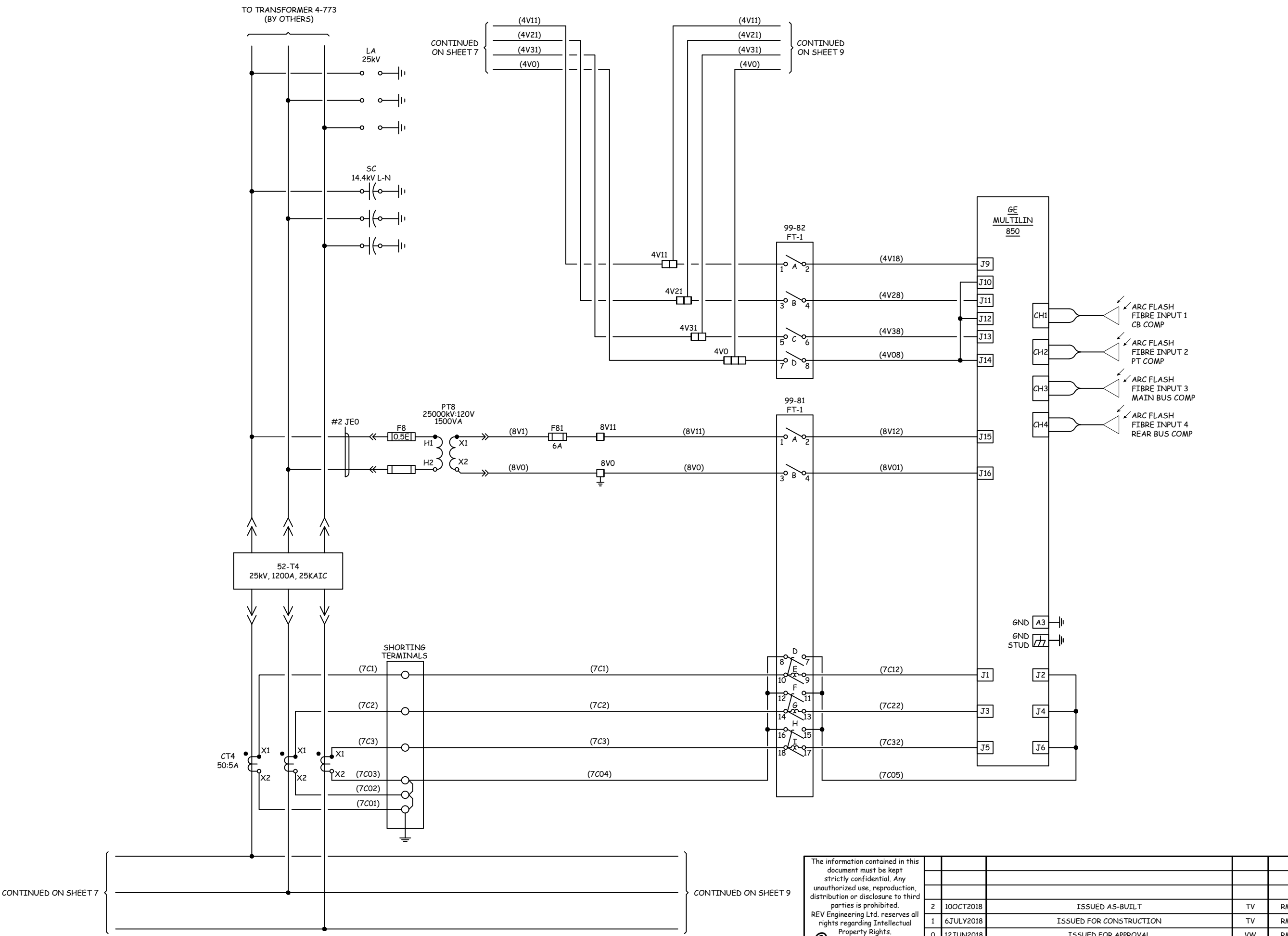


TITLE:  
25kV / 1200A / 25KA  
SWITCHGEAR LINE-UP  
THREE LINE DIAGRAM

CLIENT:	
END USER:	
PO NO:	18141-00-PO-30-001
SCALE:	NTS
SHEET:	7 OF 9
DWG NO:	M200211-01.2001
REV:	2

**NOTES:**

1. WIRE NUMBER SHALL BE THE TERMINAL NUMBER UNLESS OTHERWISE NOTED.
2. WIRE NUMBER SHALL NOT CHANGE AS IT PASSES THROUGH A TERMINAL BLOCK, UNLESS OTHERWISE NOTED.
3. ALL CT WIRING SHALL BE #12



CONTINUED ON SHEET 7

CONTINUED ON SHEET 7

CONTINUED ON SHEET 9

CONTINUED ON SHEET 9

The information contained in this document must be kept strictly confidential. Any unauthorized use, reproduction, distribution or disclosure to third parties is prohibited. REV Engineering Ltd. reserves all rights regarding Intellectual Property Rights. Copyright REV Engineering Ltd. All rights reserved

NO	DATE	DESCRIPTION	DRAWN	APPROVED
2	10OCT2018	ISSUED AS-BUILT	TV	RM
1	6JULY2018	ISSUED FOR CONSTRUCTION	TV	RM
0	12JUN2018	ISSUED FOR APPROVAL	VW	RM

REVISION TABLE

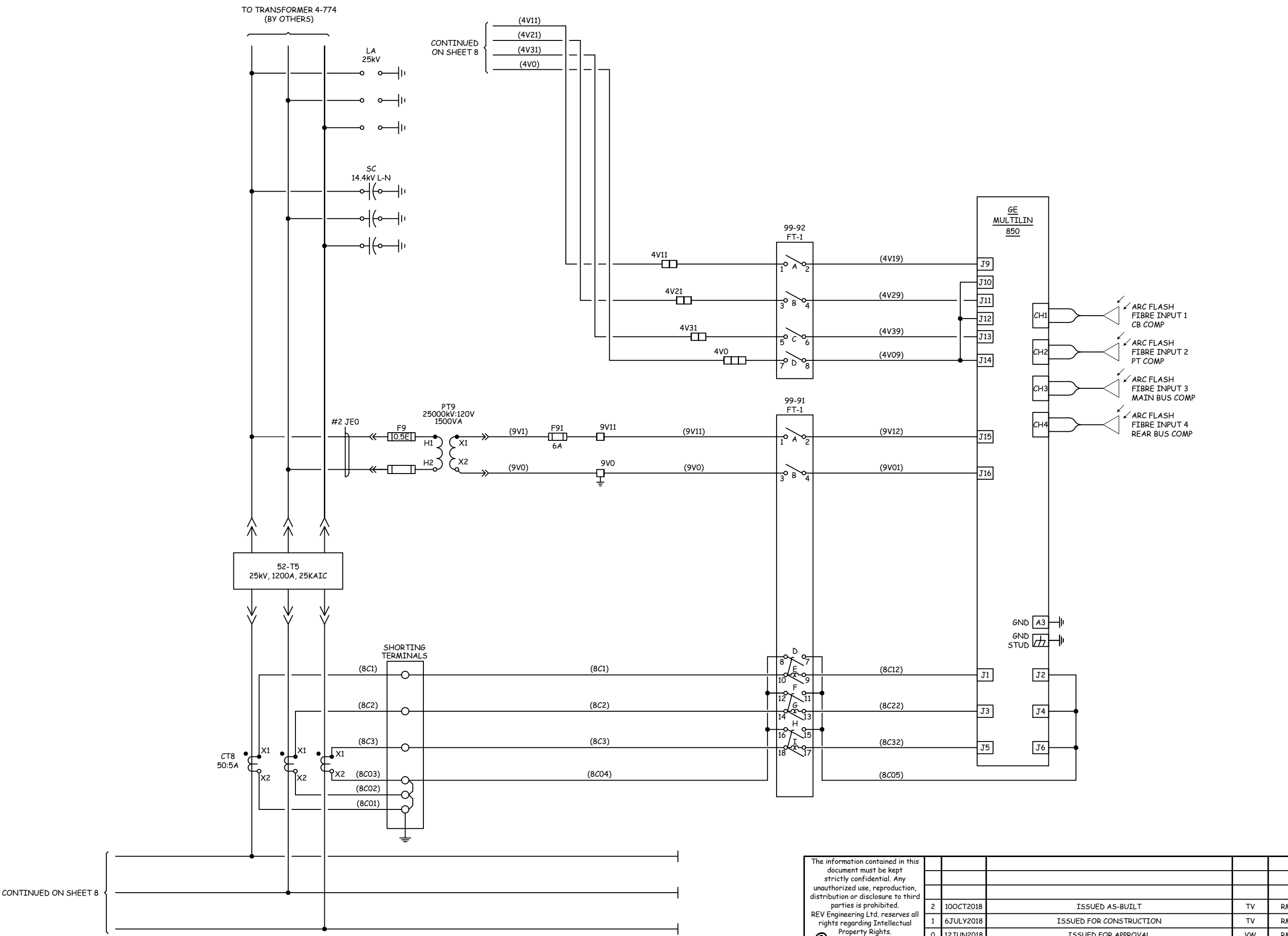


TITLE:  
25kV / 1200A / 25KA  
SWITCHGEAR LINE-UP  
THREE LINE DIAGRAM

CLIENT:	
END USER:	
PO NO:	18141-00-PO-30-001
SCALE:	NTS
SHEET:	8 OF 9
DWG NO:	M200211-01.2001
REV:	2

**NOTES:**

1. WIRE NUMBER SHALL BE THE TERMINAL NUMBER UNLESS OTHERWISE NOTED.
2. WIRE NUMBER SHALL NOT CHANGE AS IT PASSES THROUGH A TERMINAL BLOCK, UNLESS OTHERWISE NOTED.
3. ALL CT WIRING SHALL BE #12



TITLE:  
25kV / 1200A / 25KA  
SWITCHGEAR LINE-UP  
THREE LINE DIAGRAM

The information contained in this document must be kept strictly confidential. Any unauthorized use, reproduction, distribution or disclosure to third parties is prohibited.  
REV Engineering Ltd. reserves all rights regarding Intellectual Property Rights.  
© Copyright REV Engineering Ltd. All rights reserved

NO	DATE	DESCRIPTION	DRAWN	APPROVED
2	10OCT2018	ISSUED AS-BUILT	TV	RM
1	6JULY2018	ISSUED FOR CONSTRUCTION	TV	RM
0	12JUN2018	ISSUED FOR APPROVAL	VW	RM

REVISION TABLE

CLIENT:	
END USER:	
PO NO:	18141-00-PO-30-001
SCALE:	NTS
SHEET:	9 OF 9
DWG NO:	M200211-01.2001
REV:	2

CONTINUED ON SHEET 8

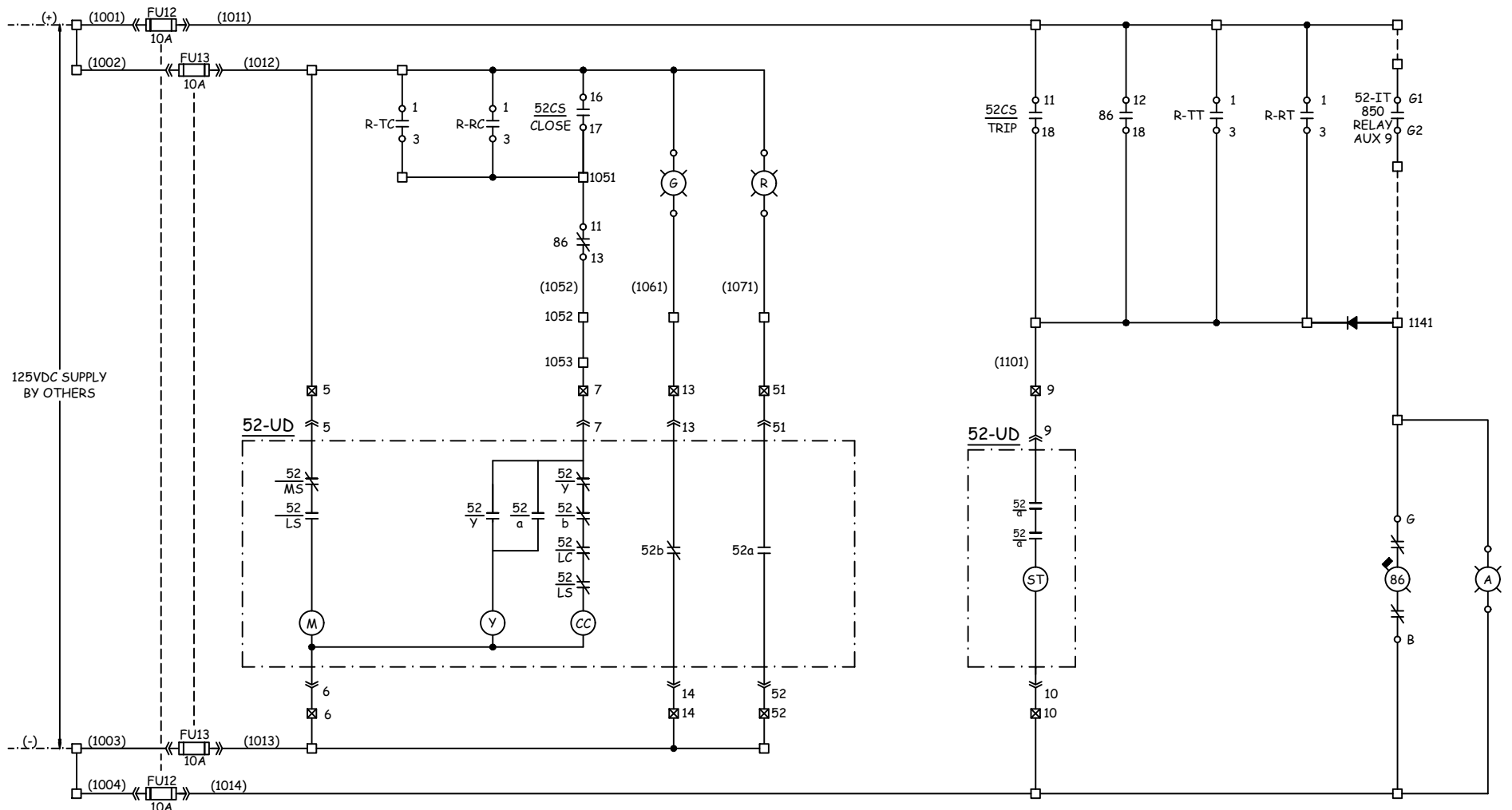
CONTINUED ON SHEET 8

TO TRANSFORMER 4-774  
(BY OTHERS)



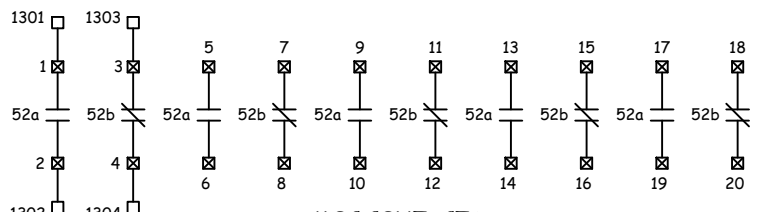
100 101 102 103 104 105 106 107 108 109 110 111 112 113 114 115 116 117 118 119 120 121

CIRCUIT BREAKER										86 TRIP	UTILITY TRANSFER TRIP	HMI REMOTE TRIP	86 LOCKOUT RELAY	86 ENERGIZED					
CHARGING MOTOR	UTILITY TRANSFER CLOSE	HMI REMOTE CLOSE	CLOSE COIL	OPEN INDICATION	CLOSED INDICATION			TRIP COIL											

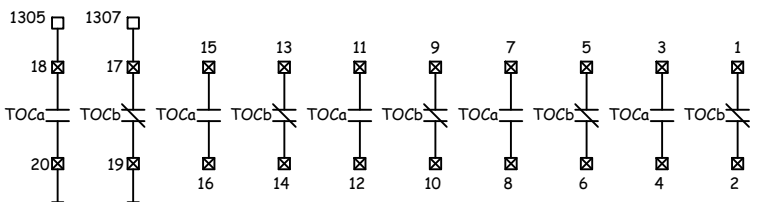


- NOTES:**
1. WIRE NUMBER SHALL BE THE TERMINAL NUMBER UNLESS OTHERWISE NOTED.
  2. WIRE NUMBER SHALL NOT CHANGE AS IT PASSES THROUGH A TERMINAL BLOCK, UNLESS OTHERWISE NOTED.

- LEGEND:**
- ☒ BREAKER TERMINAL
  - ☐ SWITCHGEAR TERMINAL
  - FIELD WIRING
  - - - INTERCELL WIRING

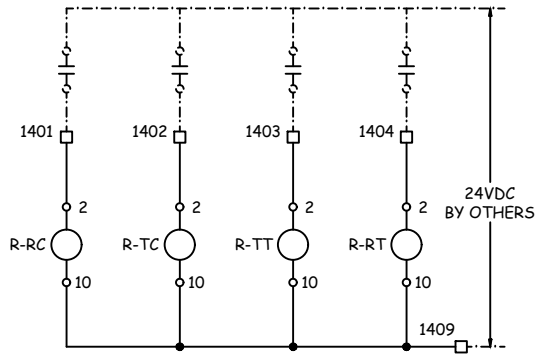
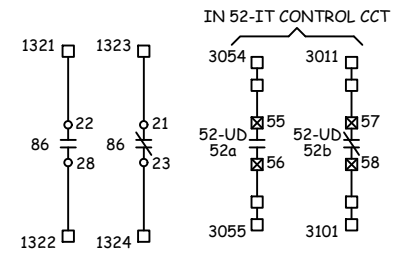


**MOC CONTACTS**



**TOC CONTACTS**

(CONTACTS ARE DRAWN WITH THE BREAKER IN DISCONNECT POSITION)



The information contained in this document must be kept strictly confidential. Any unauthorized use, reproduction, distribution or disclosure to third parties is prohibited. REV Engineering Ltd. reserves all rights regarding Intellectual Property Rights. Copyright REV Engineering Ltd. All rights reserved

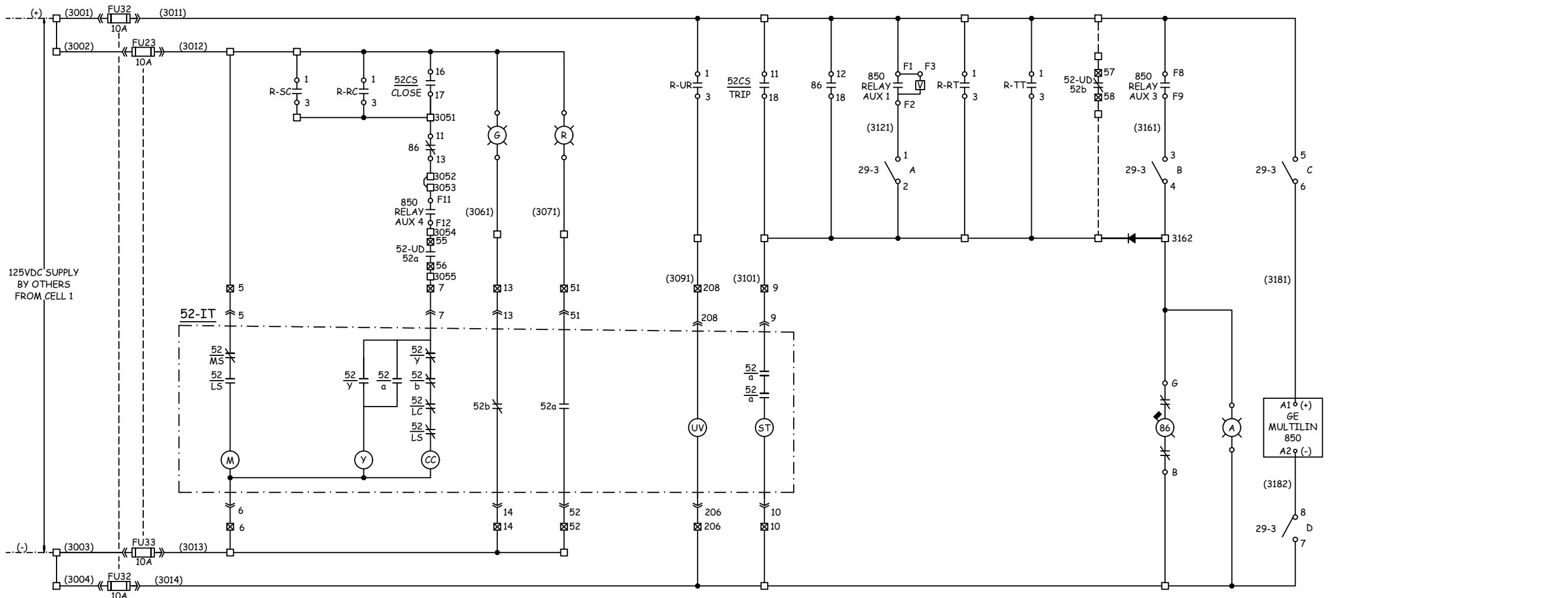
NO	DATE	DESCRIPTION	DRAWN	APPROVED
2	10OCT2018	ISSUED AS-BUILT	TV	RM
1	6JULY2018	ISSUED FOR CONSTRUCTION	TV	RM
0	12JUN2018	ISSUED FOR APPROVAL	VW	RM
REVISION TABLE				



**TITLE:**  
25kV / 1200A / 25kA  
SWITCHGEAR LINE-UP  
SCHEMATIC DIAGRAM  
CELL 1, 52-UD

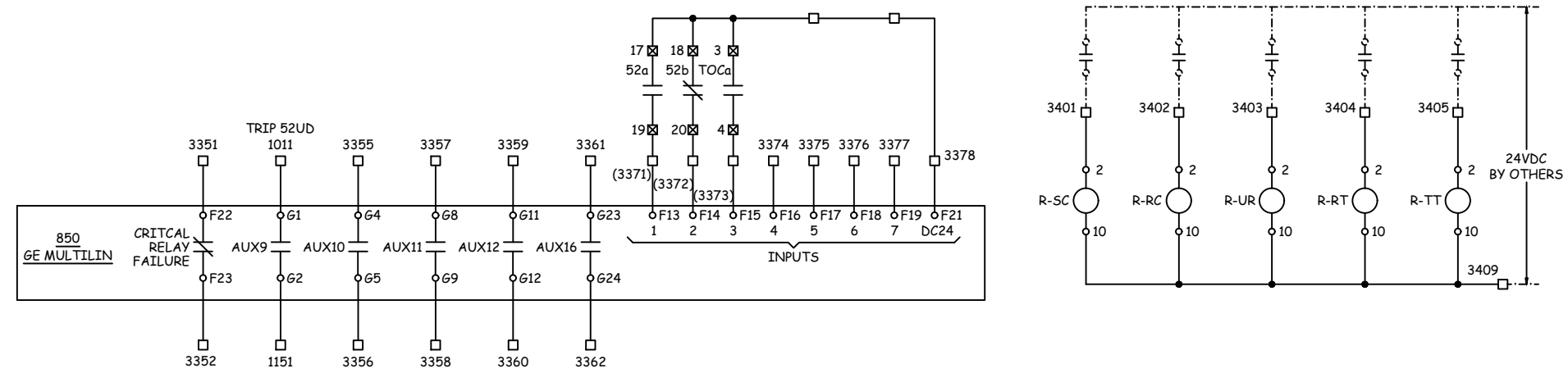
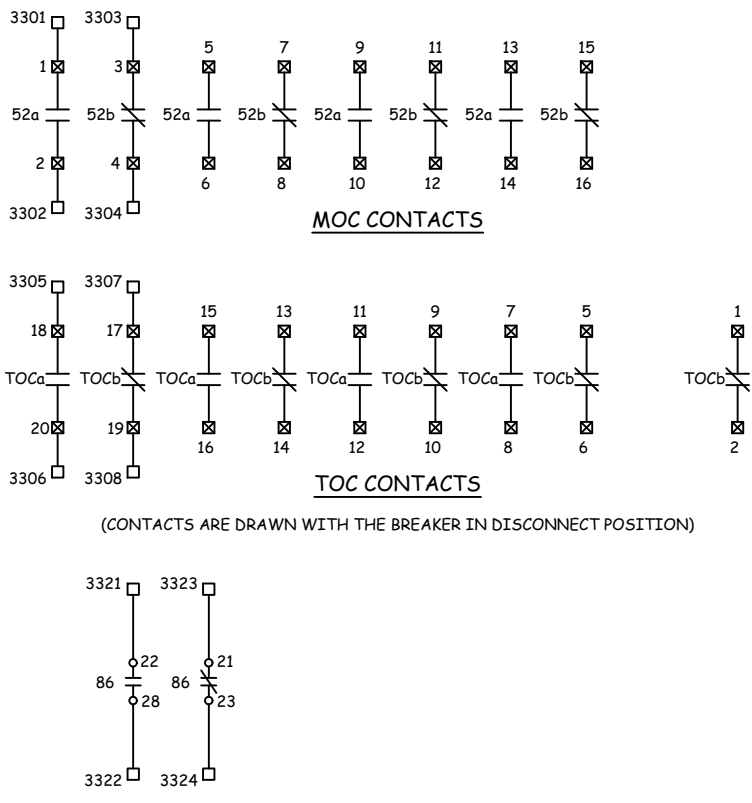
CLIENT:	
END USER:	
PO NO:	18141-00-PO-30-001
SCALE:	NTS
SHEET:	1 OF 1
DWG NO:	M200211-01.3001
REV:	2

CIRCUIT BREAKER										86 TRIP	850 RELAY TRIP	REMOTE TRIP	TRANSFER TRIP	52-UD INTERLOCK	86 LOCKOUT RELAY	86 ENERGIZED	850 RELAY POWER			
CHARGING MOTOR	SYNC CLOSE	HMT REMOTE CLOSE	CLOSE COIL	OPEN INDICATION	CLOSED INDICATION		UNDER VOLTAGE RELEASE	TRIP COIL												



- NOTES:**
1. WIRE NUMBER SHALL BE THE TERMINAL NUMBER UNLESS OTHERWISE NOTED.
  2. WIRE NUMBER SHALL NOT CHANGE AS IT PASSES THROUGH A TERMINAL BLOCK, UNLESS OTHERWISE NOTED.

- LEGEND:**
- ☒ BREAKER TERMINAL
  - SWITCHGEAR TERMINAL
  - - - FIELD WIRING
  - - - INTERCELL WIRING

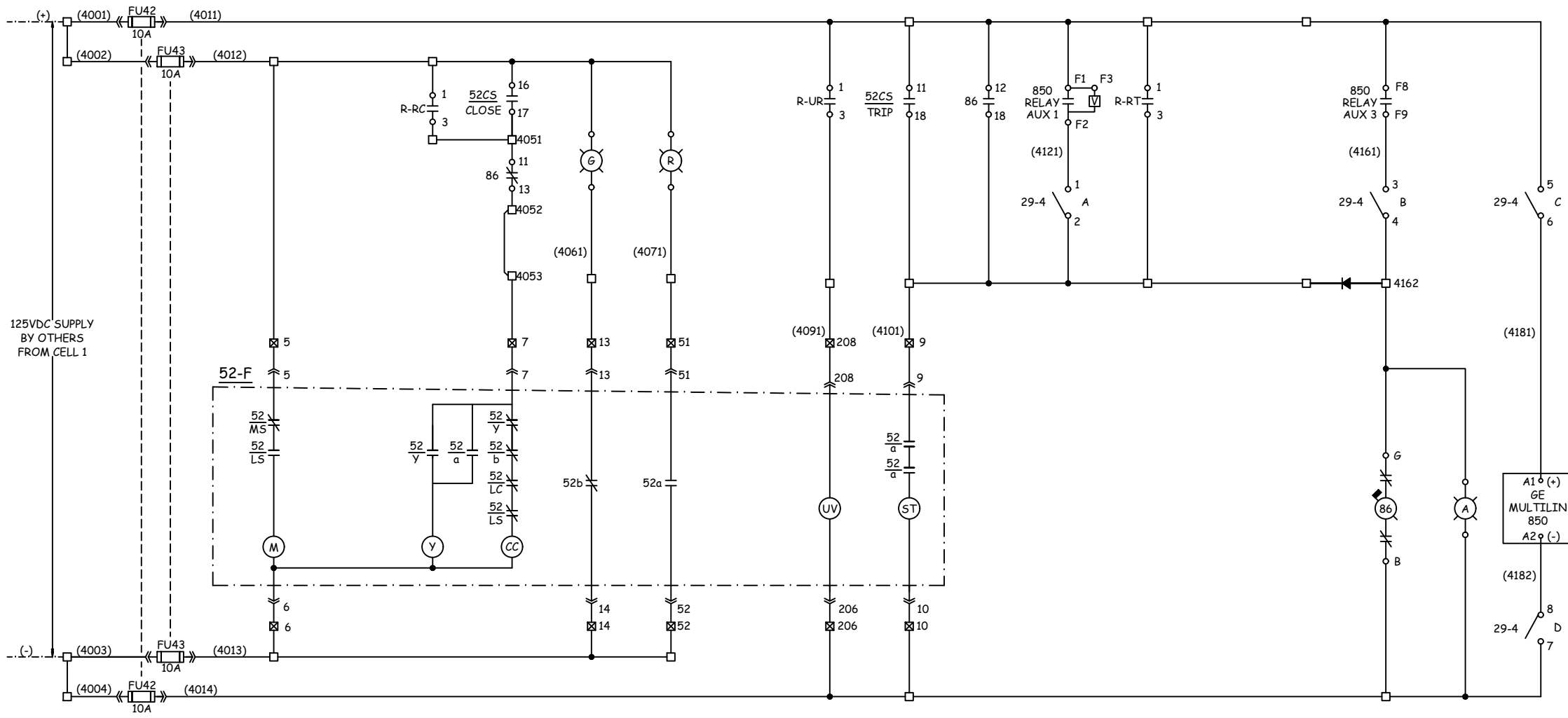


**TITLE:**  
25kV / 1200A / 25kA  
SWITCHGEAR LINE-UP  
SCHEMATIC DIAGRAM  
CELL 3, 52-IT

The information contained in this document must be kept strictly confidential. Any unauthorized use, reproduction, distribution or disclosure to third parties is prohibited. REV Engineering Ltd. reserves all rights regarding Intellectual Property Rights. © Copyright REV Engineering Ltd. All rights reserved.					
NO	DATE	DESCRIPTION	DRAWN	APPROVED	
2	10OCT2018	ISSUED AS-BUILT	TV	RM	
1	6JULY2018	ISSUED FOR CONSTRUCTION	TV	RM	
0	12JUN2018	ISSUED FOR APPROVAL	VW	RM	
REVISION TABLE					

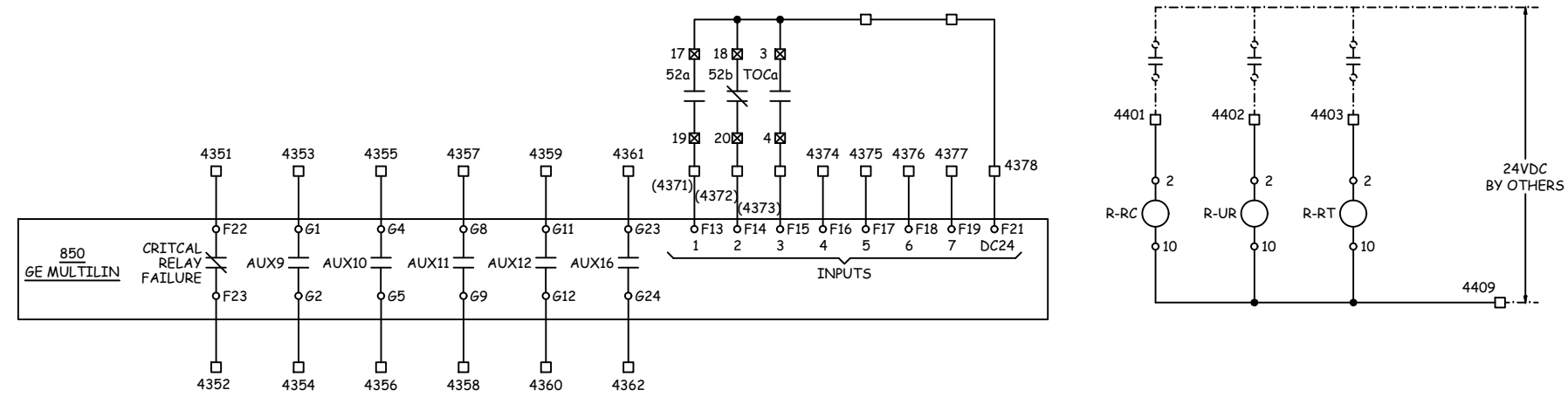
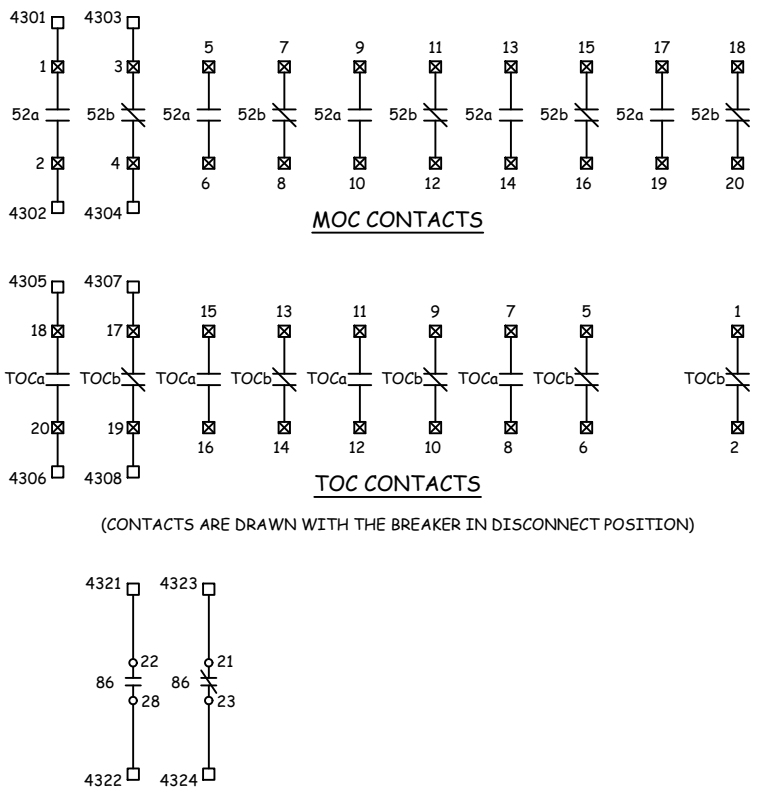
CLIENT:	
END USER:	
PO NO:	18141-00-PO-30-001
SCALE:	NTS
SHEET:	1 OF 1
DWG NO:	M200211-01.3003
REV:	2

CIRCUIT BREAKER								86 TRIP	850 RELAY TRIP	REMOTE TRIP			86 LOCKOUT RELAY	86 ENERGIZED	850 RELAY POWER		
CHARGING MOTOR	REMOTE CLOSE	CLOSE COIL	OPEN INDICATION	CLOSED INDICATION			UNDER VOLTAGE RELEASE	TRIP COIL									



- NOTES:**
1. WIRE NUMBER SHALL BE THE TERMINAL NUMBER UNLESS OTHERWISE NOTED.
  2. WIRE NUMBER SHALL NOT CHANGE AS IT PASSES THROUGH A TERMINAL BLOCK, UNLESS OTHERWISE NOTED.

- LEGEND:**
- ☒ BREAKER TERMINAL
  - ☐ SWITCHGEAR TERMINAL
  - - - FIELD WIRING
  - - - INTERCELL WIRING

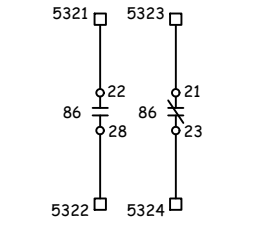
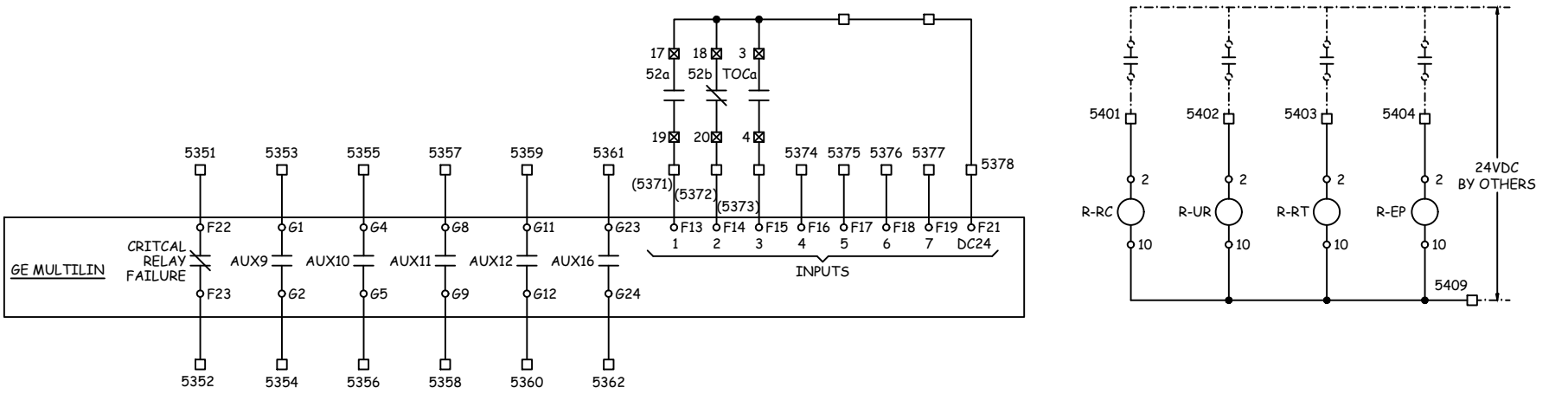
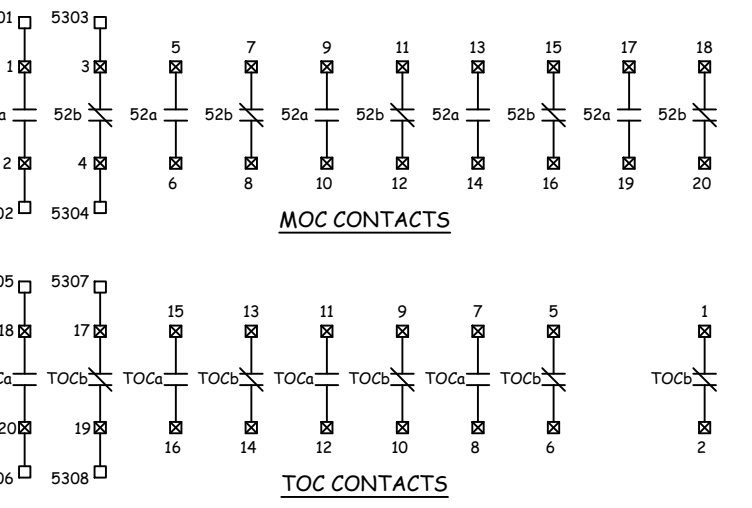
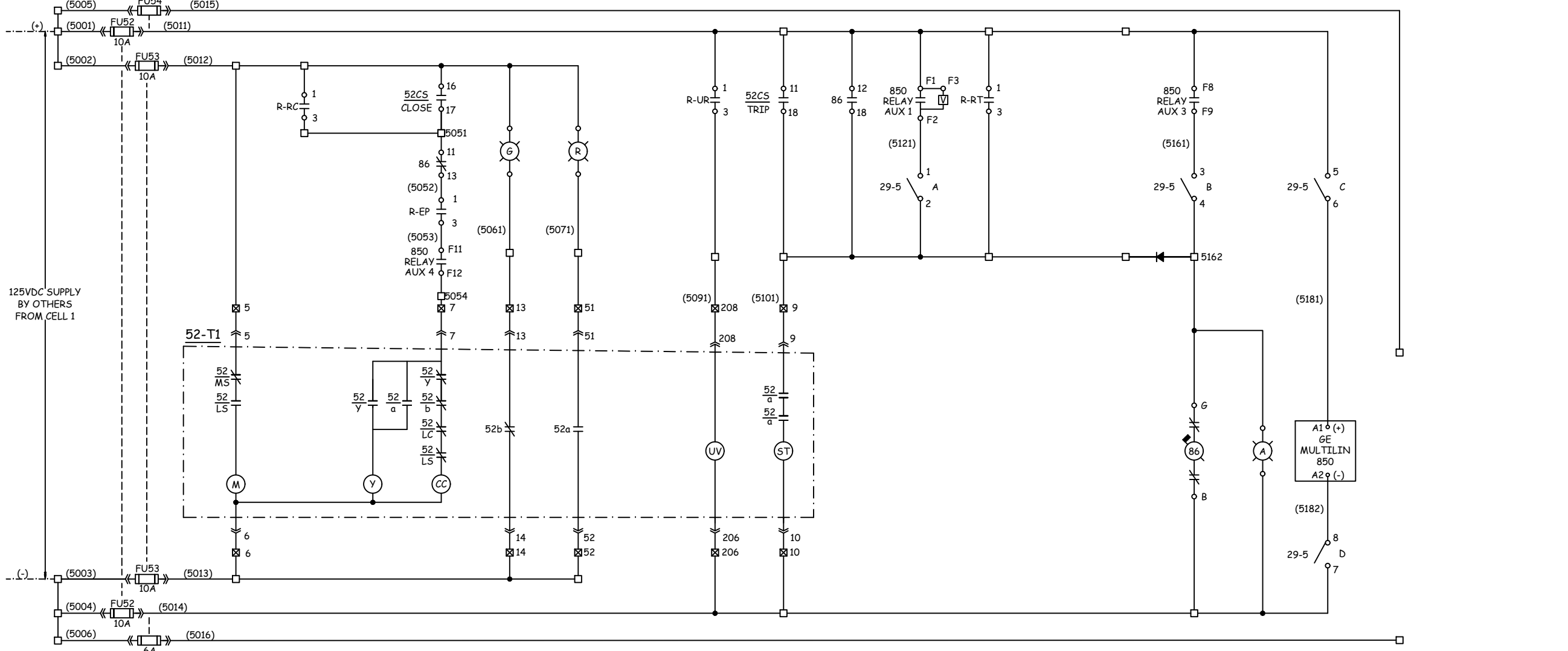


**TITLE:** 25kV / 1200A / 25kA SWITCHGEAR LINE-UP SCHEMATIC DIAGRAM CELL 4, 52-F

The information contained in this document must be kept strictly confidential. Any unauthorized use, reproduction, distribution or disclosure to third parties is prohibited. REV Engineering Ltd. reserves all rights regarding Intellectual Property Rights. © Copyright REV Engineering Ltd. All rights reserved					
NO	DATE	DESCRIPTION	DRAWN	APPROVED	
2	10OCT2018	ISSUED AS-BUILT	TV	RM	
1	6JULY2018	ISSUED FOR CONSTRUCTION	TV	RM	
0	12JUN2018	ISSUED FOR APPROVAL	VW	RM	
REVISION TABLE					

CLIENT:	
END USER:	
PO NO:	18141-00-PO-30-001
SCALE:	NTS
SHEET:	1 OF 1
DWG NO:	M200211-01.3004
REV:	2

CIRCUIT BREAKER								86 TRIP	850 RELAY TRIP	REMOTE TRIP	86 LOCKOUT RELAY	86 ENERGIZED	850 RELAY POWER	XFMR 86 RELAY POWER
CHARGING MOTOR	REMOTE CLOSE	CLOSE COIL	OPEN INDICATION	CLOSED INDICATION	UNDER VOLTAGE RELEASE	TRIP COIL								



- NOTES:**
1. WIRE NUMBER SHALL BE THE TERMINAL NUMBER UNLESS OTHERWISE NOTED.
  2. WIRE NUMBER SHALL NOT CHANGE AS IT PASSES THROUGH A TERMINAL BLOCK, UNLESS OTHERWISE NOTED.

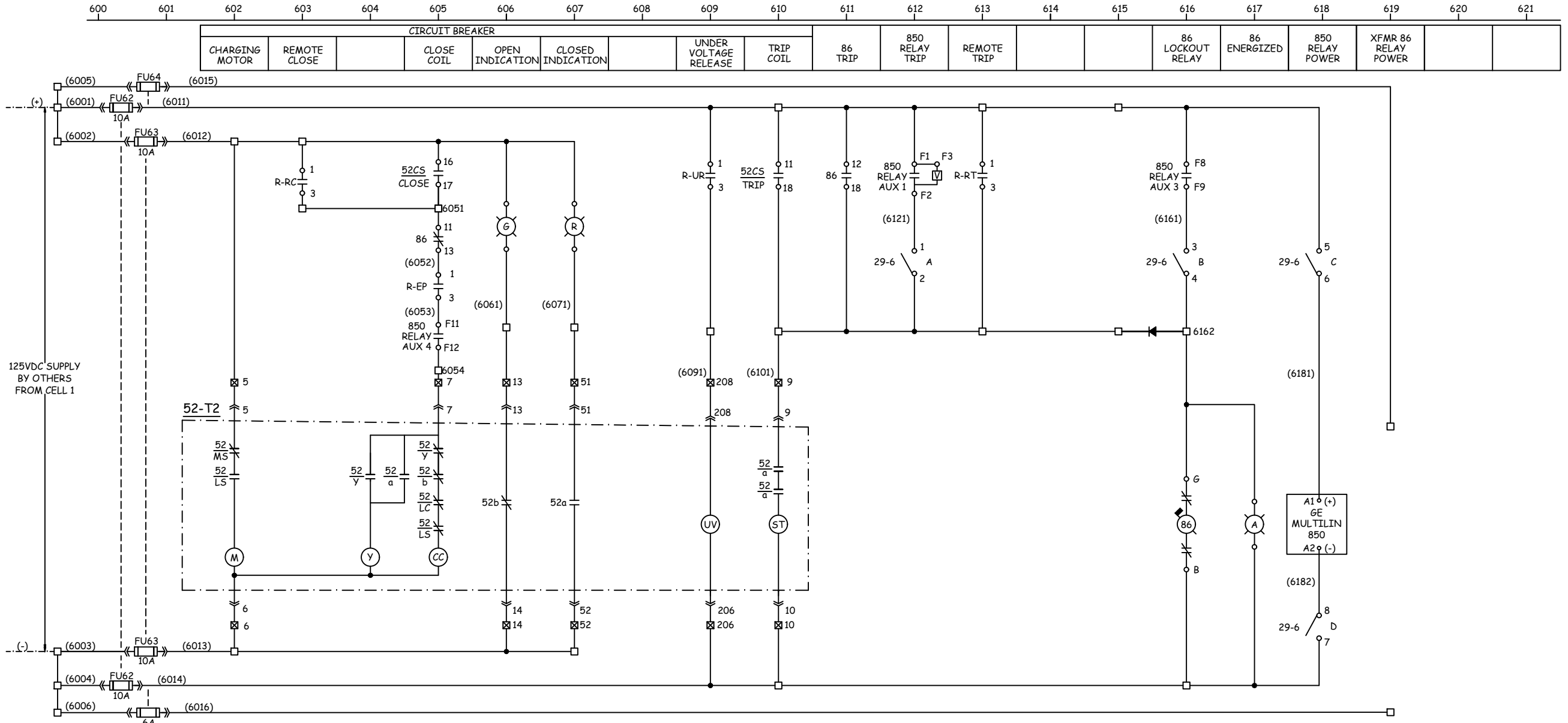
- LEGEND:**
- ☒ BREAKER TERMINAL
  - SWITCHGEAR TERMINAL
  - FIELD WIRING
  - INTERCELL WIRING



TITLE: 25kV / 1200A / 25kA SWITCHGEAR LINE-UP SCHEMATIC DIAGRAM CELL 5, 52-T1

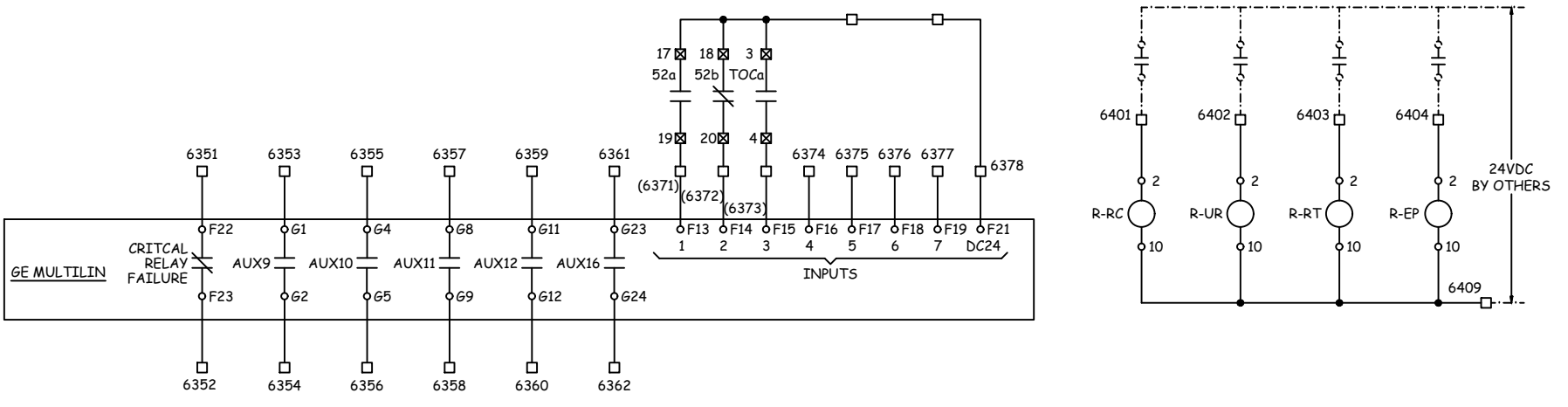
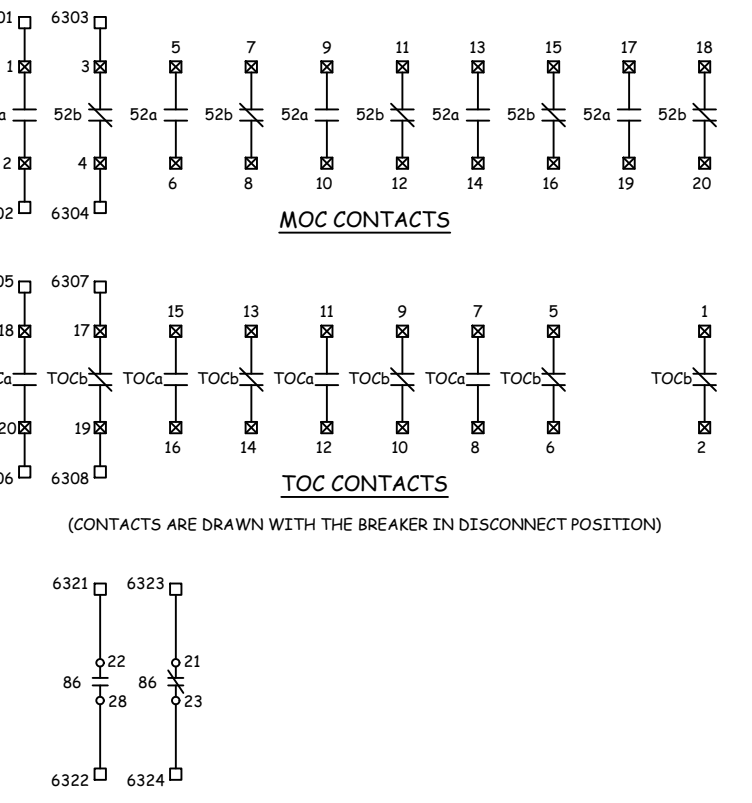
The information contained in this document must be kept strictly confidential. Any unauthorized use, reproduction, distribution or disclosure to third parties is prohibited. REV Engineering Ltd. reserves all rights regarding Intellectual Property Rights. © Copyright REV Engineering Ltd. All rights reserved					
2	10OCT2018	ISSUED AS-BUILT	TV	RM	
1	6JULY2018	ISSUED FOR CONSTRUCTION	TV	RM	
0	12JUN2018	ISSUED FOR APPROVAL	VW	RM	
NO	DATE	DESCRIPTION	DRAWN	APPROVED	

CLIENT:	
END USER:	
PO NO:	18141-00-PO-30-001
SCALE:	NTS
SHEET:	1 OF 1
DWG NO:	M200211-01.3005
REV:	2



- NOTES:**
1. WIRE NUMBER SHALL BE THE TERMINAL NUMBER UNLESS OTHERWISE NOTED.
  2. WIRE NUMBER SHALL NOT CHANGE AS IT PASSES THROUGH A TERMINAL BLOCK, UNLESS OTHERWISE NOTED.

- LEGEND:**
- ☒ BREAKER TERMINAL
  - SWITCHGEAR TERMINAL
  - - - FIELD WIRING
  - - - INTERCELL WIRING



The information contained in this document must be kept strictly confidential. Any unauthorized use, reproduction, distribution or disclosure to third parties is prohibited. REV Engineering Ltd. reserves all rights regarding Intellectual Property Rights. © Copyright REV Engineering Ltd. All rights reserved

NO	DATE	DESCRIPTION	DRAWN	APPROVED
2	10OCT2018	ISSUED AS-BUILT	TV	RM
1	6JULY2018	ISSUED FOR CONSTRUCTION	TV	RM
0	12JUN2018	ISSUED FOR APPROVAL	VW	RM

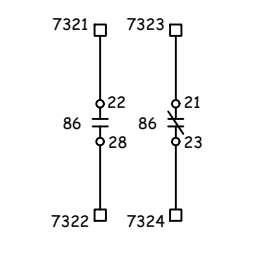
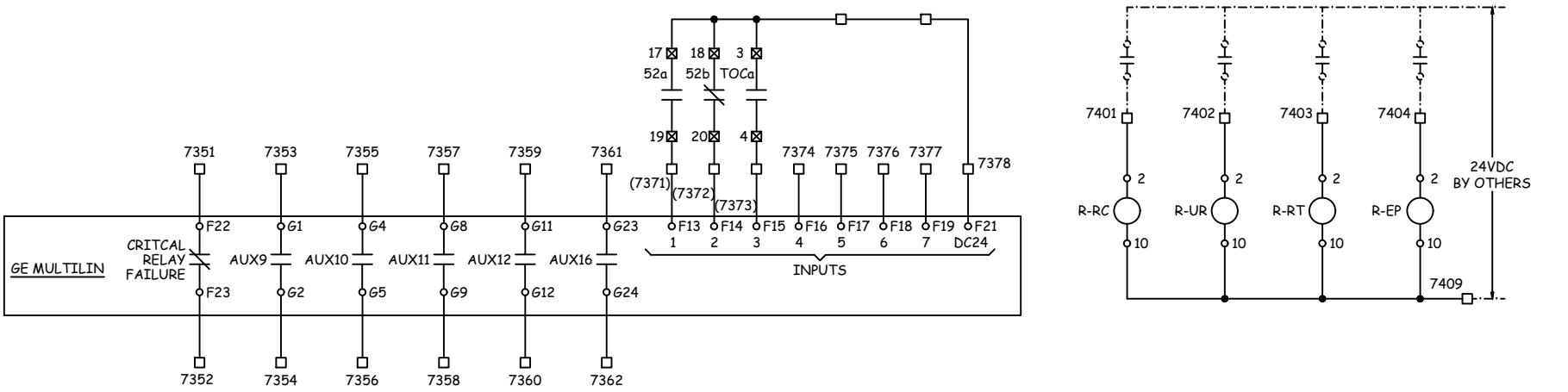
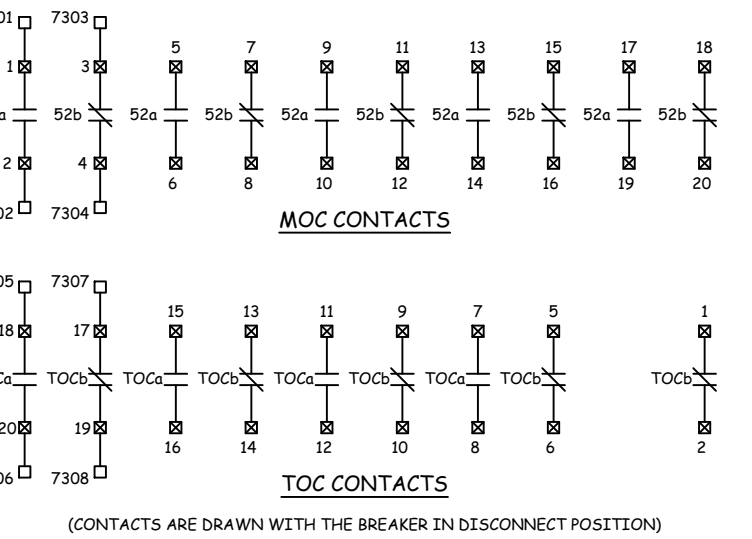
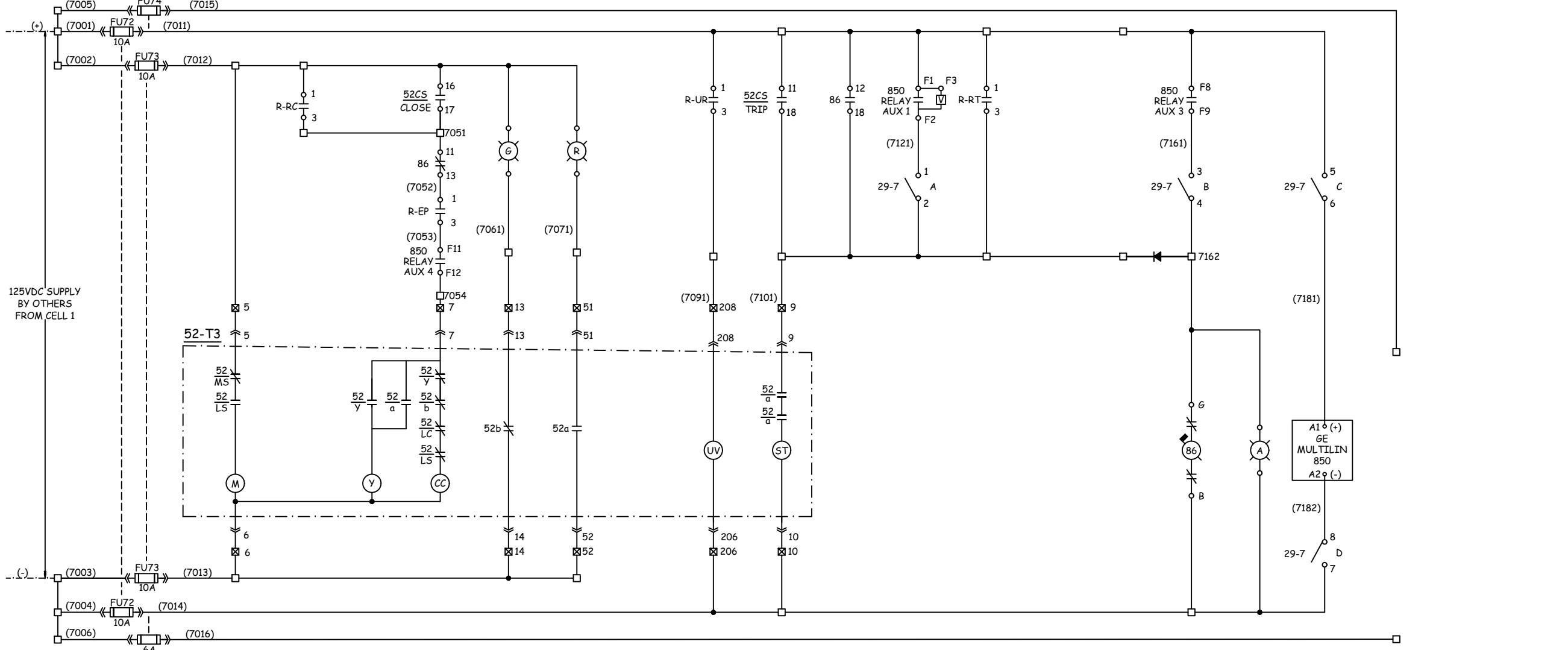
REVISION TABLE



**TITLE:** 25kV / 1200A / 25kA SWITCHGEAR LINE-UP SCHEMATIC DIAGRAM CELL 6, 52-T2

<b>CLIENT:</b>	
<b>END USER:</b>	
<b>PO NO:</b>	18141-00-PO-30-001
<b>SCALE:</b>	NTS
<b>SHEET:</b>	1 OF 1
<b>DWG NO:</b>	M200211-01.3006
<b>REV:</b>	2

CIRCUIT BREAKER								86 TRIP	850 RELAY TRIP	REMOTE TRIP			86 LOCKOUT RELAY	86 ENERGIZED	850 RELAY POWER	XFMR 86 RELAY POWER		
CHARGING MOTOR	REMOTE CLOSE		CLOSE COIL	OPEN INDICATION	CLOSED INDICATION		UNDER VOLTAGE RELEASE	TRIP COIL										



- NOTES:**
- WIRE NUMBER SHALL BE THE TERMINAL NUMBER UNLESS OTHERWISE NOTED.
  - WIRE NUMBER SHALL NOT CHANGE AS IT PASSES THROUGH A TERMINAL BLOCK, UNLESS OTHERWISE NOTED.

- LEGEND:**
- ☒ BREAKER TERMINAL
  - ☐ SWITCHGEAR TERMINAL
  - FIELD WIRING
  - - - INTERCELL WIRING



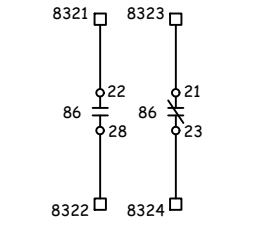
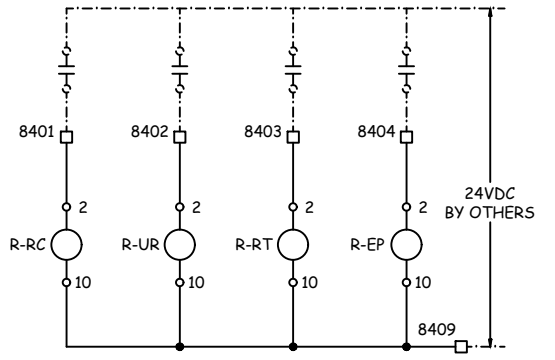
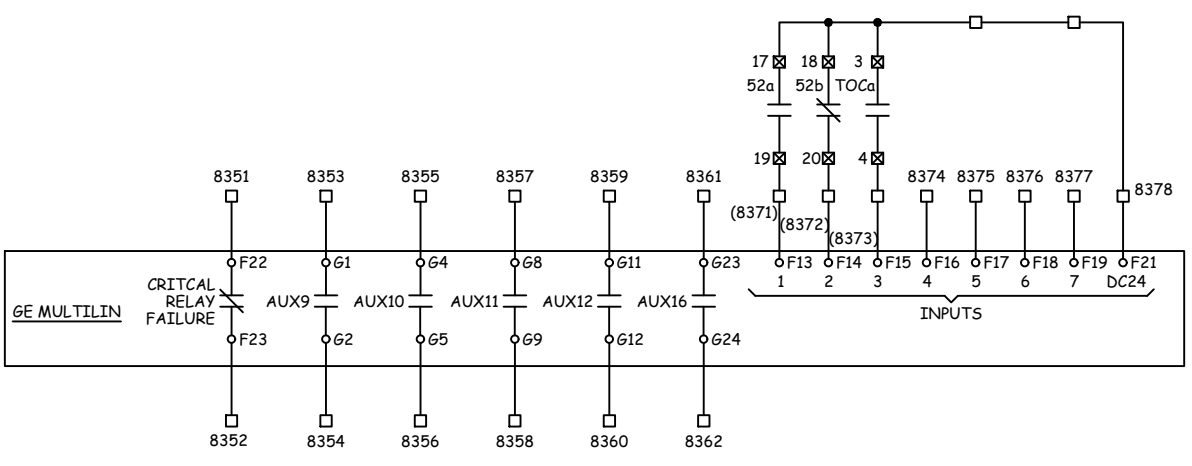
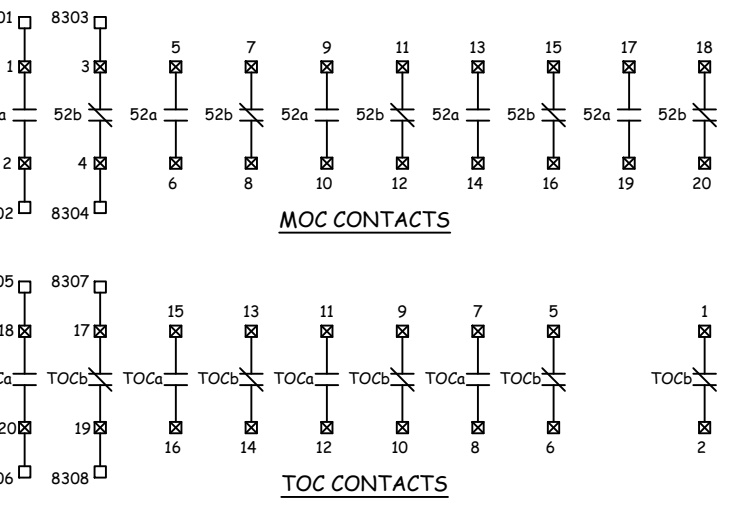
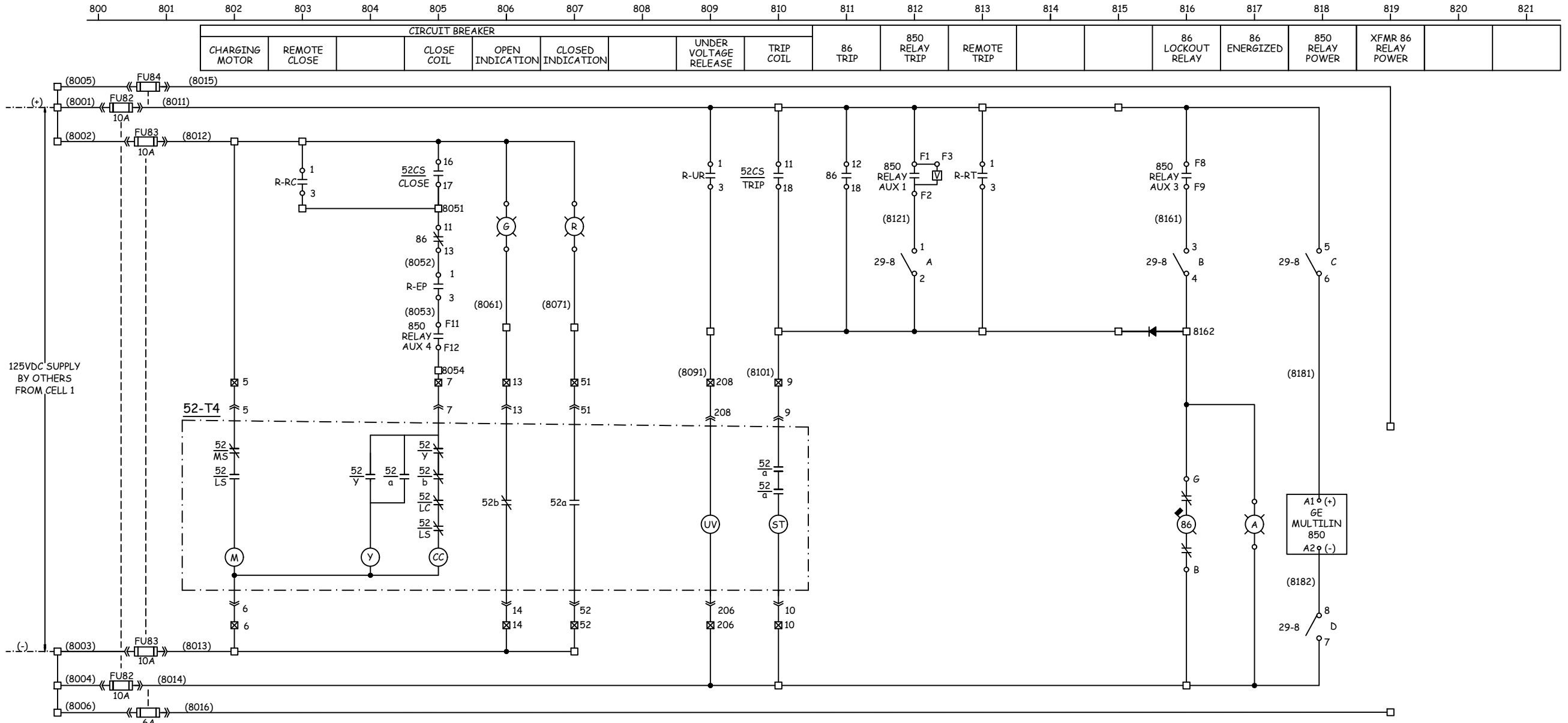
**TITLE:** 25kV / 1200A / 25kA SWITCHGEAR LINE-UP SCHEMATIC DIAGRAM CELL 7, 52-T3

NO	DATE	DESCRIPTION	DRAWN	APPROVED
2	10OCT2018	ISSUED AS-BUILT	TV	RM
1	6JULY2018	ISSUED FOR CONSTRUCTION	TV	RM
0	12JUN2018	ISSUED FOR APPROVAL	VW	RM

REVISION TABLE

CLIENT:	
END USER:	
PO NO:	18141-00-PO-30-001
SCALE:	NTS
SHEET:	1 OF 1
DWG NO:	M200211-01.3007
REV:	2

The information contained in this document must be kept strictly confidential. Any unauthorized use, reproduction, distribution or disclosure to third parties is prohibited. REV Engineering Ltd. reserves all rights regarding Intellectual Property Rights. Copyright REV Engineering Ltd. All rights reserved.



- NOTES:**
1. WIRE NUMBER SHALL BE THE TERMINAL NUMBER UNLESS OTHERWISE NOTED.
  2. WIRE NUMBER SHALL NOT CHANGE AS IT PASSES THROUGH A TERMINAL BLOCK, UNLESS OTHERWISE NOTED.

- LEGEND:**
- ☒ BREAKER TERMINAL
  - SWITCHGEAR TERMINAL
  - - - FIELD WIRING
  - - - INTERCELL WIRING

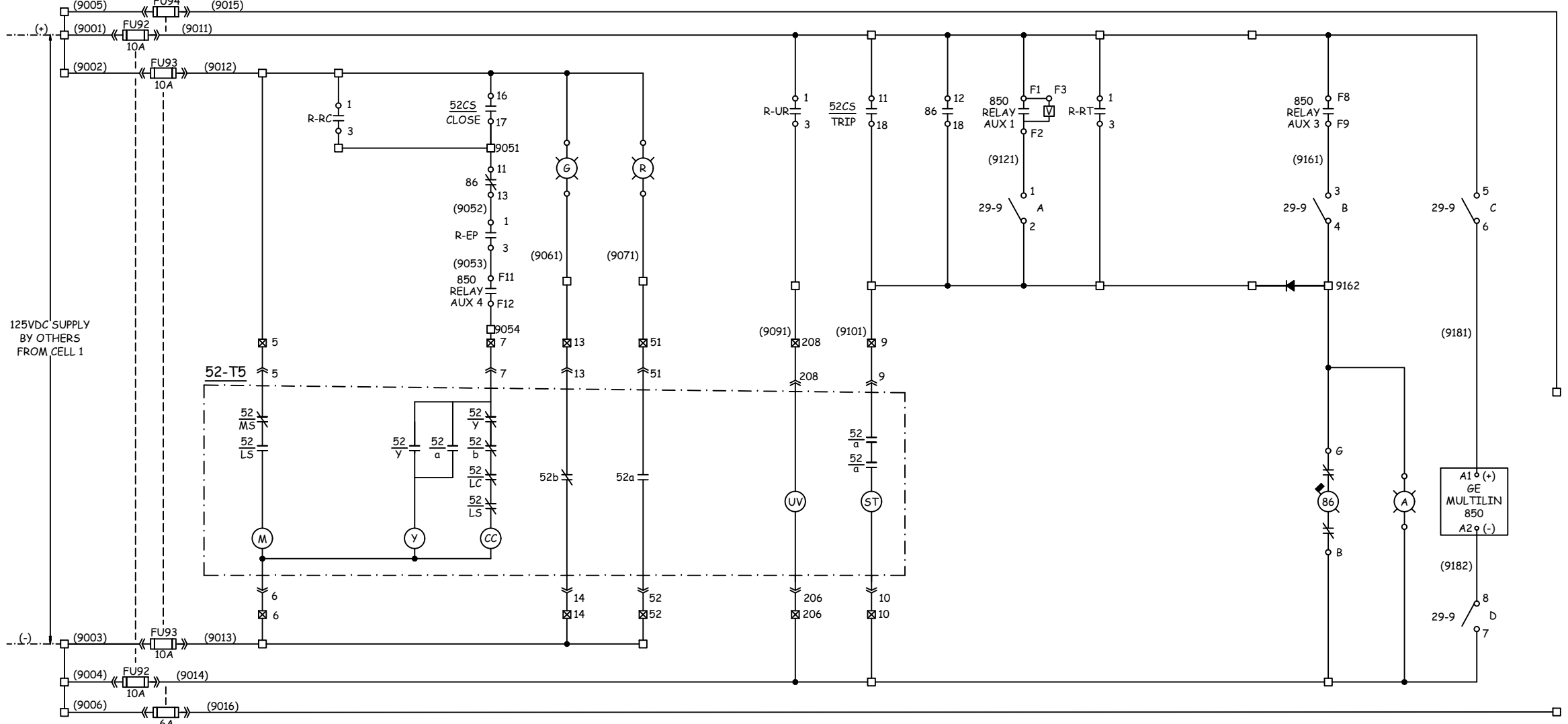


**TITLE:**  
25kV / 1200A / 25kA  
SWITCHGEAR LINE-UP  
SCHEMATIC DIAGRAM  
CELL 8, 52-T4

The information contained in this document must be kept strictly confidential. Any unauthorized use, reproduction, distribution or disclosure to third parties is prohibited. REV Engineering Ltd. reserves all rights regarding Intellectual Property Rights. © Copyright REV Engineering Ltd. All rights reserved		REVISION TABLE	
NO	DATE	DESCRIPTION	DRAWN / APPROVED
2	10OCT2018	ISSUED AS-BUILT	TV / RM
1	6JULY2018	ISSUED FOR CONSTRUCTION	TV / RM
0	12JUN2018	ISSUED FOR APPROVAL	VW / RM

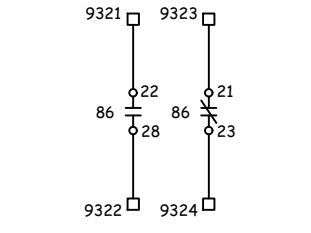
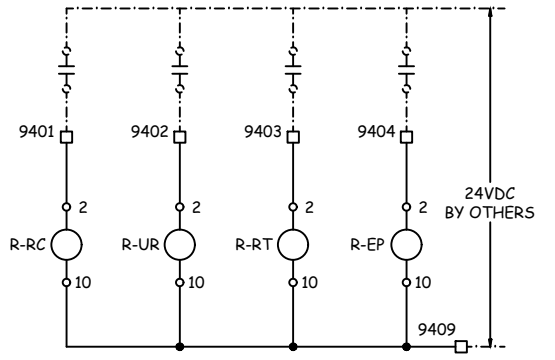
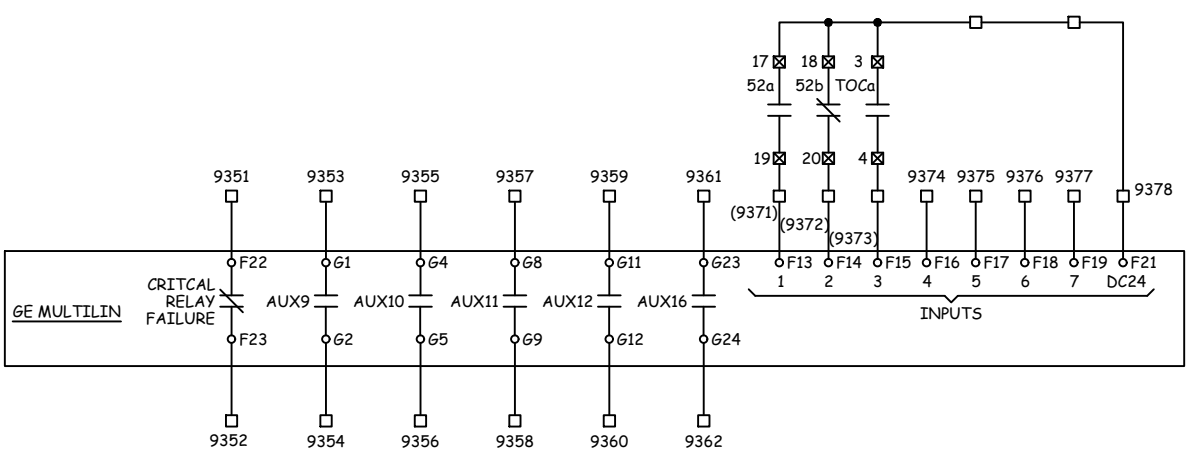
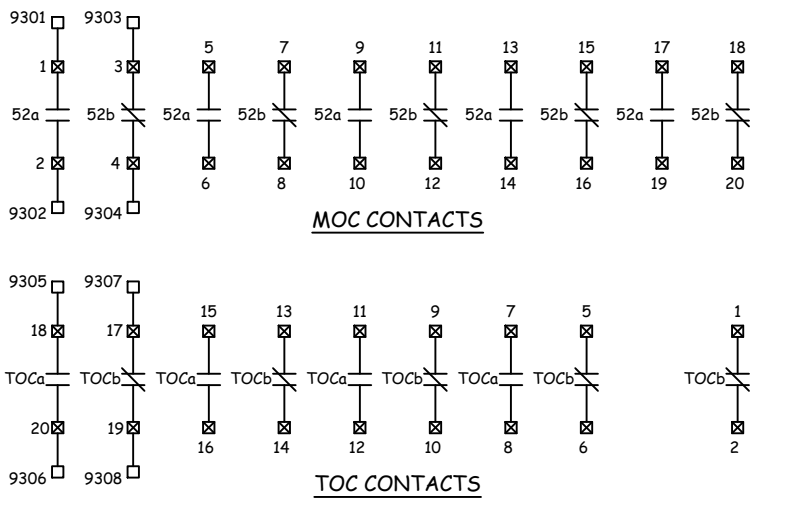
<b>CLIENT:</b>	
<b>END USER:</b>	
<b>PO NO:</b>	18141-00-PO-30-001
<b>SCALE:</b>	NTS
<b>SHEET:</b>	1 OF 1
<b>DWG NO:</b>	M200211-01.3008
<b>REV:</b>	2

CIRCUIT BREAKER								86 TRIP	850 RELAY TRIP	REMOTE TRIP	86 LOCKOUT RELAY	86 ENERGIZED	850 RELAY POWER	XFMR 86 RELAY POWER		
CHARGING MOTOR	REMOTE CLOSE		CLOSE COIL	OPEN INDICATION	CLOSED INDICATION		UNDER VOLTAGE RELEASE	TRIP COIL								



- NOTES:**
1. WIRE NUMBER SHALL BE THE TERMINAL NUMBER UNLESS OTHERWISE NOTED.
  2. WIRE NUMBER SHALL NOT CHANGE AS IT PASSES THROUGH A TERMINAL BLOCK, UNLESS OTHERWISE NOTED.

- LEGEND:**
- ☒ BREAKER TERMINAL
  - SWITCHGEAR TERMINAL
  - - - FIELD WIRING
  - - - INTERCELL WIRING



The information contained in this document must be kept strictly confidential. Any unauthorized use, reproduction, distribution or disclosure to third parties is prohibited. REV Engineering Ltd. reserves all rights regarding Intellectual Property Rights. Copyright REV Engineering Ltd. All rights reserved

NO	DATE	DESCRIPTION	DRAWN	APPROVED
2	10OCT2018	ISSUED AS-BUILT	TV	RM
1	6JULY2018	ISSUED FOR CONSTRUCTION	TV	RM
0	12JUN2018	ISSUED FOR APPROVAL	VW	RM



**TITLE:** 25kV / 1200A / 25kA SWITCHGEAR LINE-UP SCHEMATIC DIAGRAM CELL 9, 52-T5

CLIENT:	
END USER:	
PO NO:	18141-00-PO-30-001
SCALE:	NTS
SHEET:	1 OF 1
DWG NO:	M200211-01.3009
REV:	2