

Model 6 Motor Control Centers



Centros de control de motores modelo 6

Centres de commande de moteurs Modèle 6

Instruction Bulletin / Boletín de instrucciones / Directives d'utilisation

80459-641-01G

04/2019

Retain for future use. / Conservar para uso futuro. / À conserver pour usage ultérieur.



SQUARE D™

by Schneider Electric

Model 6 Motor Control Centers

Class 8998

Instruction Bulletin

80459-641-01G
04/2019

Retain for future use.

ENGLISH



SQUARE D™

by Schneider Electric

Hazard Categories and Special Symbols

Read these instructions carefully and look at the equipment to become familiar with the device before trying to install, operate, service, or maintain it. The following special messages may appear throughout this bulletin or on the equipment to warn of hazards or to call attention to information that clarifies or simplifies a procedure.



The addition of either symbol to a “Danger” or “Warning” safety label indicates that an electrical hazard exists which will result in personal injury if the instructions are not followed.



This is the safety alert symbol. It is used to alert you to personal injury hazards. Obey all safety messages that follow this symbol to avoid possible injury or death.

⚠ DANGER

DANGER indicates a hazardous situation which, if not avoided, **will result in** death or serious injury.

⚠ WARNING

WARNING indicates a hazardous situation which, if not avoided, **could result in** death or serious injury.

⚠ CAUTION

CAUTION indicates a hazardous situation which, if not avoided, **could result in** minor or moderate injury.

NOTICE

NOTICE is used to address practices not related to physical injury. The safety alert symbol is not used with this signal word.

NOTE: Provides additional information to clarify or simplify a procedure.

Please Note

Electrical equipment should be installed, operated, serviced, and maintained only by qualified personnel. No responsibility is assumed by Schneider Electric for any consequences arising out of the use of this material.

A qualified person is one who has skills and knowledge related to the construction, installation, and operation of electrical equipment and has received safety training to recognize and avoid the hazards involved.

Table of Contents

ENGLISH

- Section 1—About the Model 6 Motor Control Center 13
 - 100 Millisecond, Arc-Rated MCC, Upstream Over-Current Protection Device (OCPD) Requirements 15
 - Schneider Electric Literature List 16
- Section 2—Safety Precautions..... 18
- Section 3—Receiving, Handling, and Storing the MCC..... 19
 - Receiving the MCC 20
 - Handling the MCC 20
 - Equipment Needed 20
 - Moving the MCC 21
 - Storing the MCC 23
- Section 4—Installing the MCC..... 24
 - Locating the MCC 24
 - Space Requirements 24
 - Aligning the MCC 25
 - Joining Type 1 / Type 1 Gasketed / Type 12 Sections 26
 - Positioning the MCC 26
 - Joining Corner Channels 27
 - Joining Section Side Channels 29
 - Securing Structures to the Floor 30
 - Non-Seismic Applications 30
 - Seismic Certification of Model 6 MCCs 31
 - Responsibility for Mitigation of Seismic Damage 31
 - Securing Structures to Floor—Seismic Hazard Designated Locations 32
 - Seismic Tie-Down Access for ArcBlok with Bottom-Feed, Line-Side, Isolation Cable Vault..... 32
 - Securing Structures to Wall—Seismic Hazard Designated Locations 35
 - Splice Gaskets for Type 1 Gasketed and Type 12 Enclosures 36
 - Splicing Without P Gasketing 37
 - Splicing With P Gasketing 38
 - Splice to Existing Left 38
 - Splice to Existing Right 38
 - Joining New Style Type 3R Enclosures to Old Style Type 3R Enclosures 39
 - Joining to the Left Side of an Existing Type 3R MCC Enclosure. 39
 - Joining to the Right Side of an Existing Type 3R MCC Enclosure 42
 - Joining Type 3R Sections 44
 - Splicing Power Bus for Type 1 and Type 12 Enclosures 46
 - Power Bus Splicing MCCs with Single Bar/Phase Splice Kit (600 A and 800 A, Copper Horizontal Bus, 65,000 A Short Circuit or Less, Shipped after August 2012) 47
 - Power Bus Splicing MCCs with Multiple Bar/Phase Splice Kit 49

ENGLISH

Splicing Power Bus in Type 3R Enclosures 51

Ground Bus Splicing for Type 1, Type 12, and Type 3R 54

Ground Bus Splicing for Bottom-Feed ArcBlok Main Sections 55

Power Bus Splicing of 2500 A Bus with 100,000 A Short Circuit Rating 56

Splicing Offset or 3000/3200 A Horizontal Bus (Left Side of Structure Only) 58

Conductor Entry 60

 Conductor Entry for Line-Side Isolation Cable Vaults with ArcBlok 61

Incoming Cable Lacing Instructions—Line-Side Isolation Cable Vault 65

Vent Hood Installation 68

Pull Box Installation 70

 Standard Low Voltage MCC Pull Box 70

 Vented Low Voltage MCC Pull Box 72

 Line-Side Isolation, Low Voltage MCC Pull Box 73

Load and Control Wiring 75

Crimp Lug Cable Assembly for Cabled Disconnect Unit Installation 76

Cable Connection Torque Values 78

Component Instructional Information 78

Modifying Fuse Clip Locations 79

Section 5—Operation 80

 Pre-operation Checklist 80

 Energizing the MCC 81

Section 6—Maintaining the MCC..... 82

 Examining the Enclosure 82

 Maintaining Bus Bars and Incoming Line Compartments 82

 Maintaining the Control Unit 85

 Removing the Control Unit 86

 Removing the Compac™ 6 Control Unit 90

 Tests and Maintenance Performed with the Control Unit Removed 92

 Reassembly 95

 Insulation Test 96

 Maintenance After a Fault Has Occurred 98

Section 7—Motor Logic™ Solid-State Overload Relay (SSOLR)... 102

 Motor Logic Retrofit Applications 103

 Adjustment 106

Section 8—Mag-Gard™, PowerPact™, and TeSys™ Motor Circuit Protector Settings..... 107

 Adjusting Mag-Gard, PowerPact, or TeSys Magnetic Trip Setting 107

Section 9—iMCC	111
iMCC Overview	111
Networks/Communications Overview	111
Connecting the iMCC Cabling System	112
Network Cabling	112
Cables Between Shipping Splits	112
Load Cables	112
Communication Networks	112
Bridges/Repeaters	113
Terminating Resistors	113
Direct Cable Connection	113
Operation	117
Pre-operation Checklists	117
MCC Structure	117
iMCC Communications	118
Energizing the MCC	118
Motor Logic Plus Local Programming	119
Motor Logic Plus Remote Programming	120
TeSys™ T Motor Management Controller	125
TeSys T Retrofit Applications	126
Applications Requiring Turns	127
TeSys T Local Programming	127
Configuring with HMI	128
Configuring with PowerSuite™ Software	128
Configuring with SoMove Software	128
PowerLogic ION Meter	129
PowerLogic™ Power Meter Series 800, 5500, 8000	129
PowerLogic Circuit Monitor	129
Altivar™ 61/71	129
Altivar 630/930	129
Altistart™ 48	129
Powerpact™ Circuit Breakers with Micrologic™ Trip Units	130
Device Addressing	130
Software	130
Network Security	130
Section 10—Expansion	131
Ordering Information	131
Modifying MCC Units	132
De-Energizing Equipment and Identifying Unit Type	132

- Modifying Removable Units 132
- Modifying Fixed Units 133
- Installing Additional MCC Units 134
- Section 11—Troubleshooting..... 139
- Section 12—Insulation Resistance 145
 - Thermal Overload Unit Selection 146
- Section 13—Circuit Breaker and Fusible Switch Replacement..... 152
- Section 14—Installation and Maintenance Log 154
- Appendix A—Removal and Installation of Horizontal Bus Barrier Panels 155
 - Removal 155
 - Installation 156
 - Fixed Barrier 157
 - Removal 157
 - Installation 158
- Appendix B—Non-Conductive Horizontal Bus Barrier Retrofit Kit 159
 - Remove Existing Components 160
 - Horizontal Wireway Cover 160
 - Horizontal Bus Barriers 160
 - Units Below the Topshelf 160
 - Existing Brackets: 15 in. (381 mm) Deep MCC Only 161
 - Install the Retrofit Kit 162
 - Retrofit Brackets and Endcaps 162
 - Bottom Track and Bottom Retrofit Bracket 164
 - Left and Right Panels 165
 - Installation..... 165
 - Removal (when required) 166
 - Replace Components 166
- Appendix C—Automatic Vertical Bus Shutter 167
 - Introduction 167
 - Installation—Style 1 169
 - Removal—Style 1 171
 - Installation—Style 2 172
 - Removal—Style 2 174
 - Operation—Styles 1 and 2 175
 - Inserting a Unit 175
 - Removing a Unit 175
- Appendix D—Technical Support..... 176

List of Figures

Figure 1 – Model 6 MCC 100 ms Arc-Rated Option Label and Typical Location on Enclosure	14
Figure 2 – Motor Control Center Packaged in Sideways Position (Typical for Most Sections)	19
Figure 3 – Motor Control Center Packaged in Upright Position (Typical for Extra Heavy Sections such as 18-Pulse Drives or as Customer Option)	19
Figure 4 – Moving the MCC with a Fork Truck	21
Figure 5 – Proper Use of Sling to Lift MCCs	21
Figure 6 – Proper/Improper Lifting Points for Plug-in Units Taller Than 24 in.	22
Figure 7 – Required Obstruction-Free Area	25
Figure 8 – Motor Control Center Views	26
Figure 9 – Base Channel Notches	27
Figure 10 – Hardware Kit	27
Figure 11 – Bolting Sections Together	28
Figure 12 – Standard Base Channel Mounting	30
Figure 13 – Base Channel Mounting For 18-Pulse AC Drive MCC Sections	30
Figure 14 – Front Cover and Rear Panel of Cable Vault	32
Figure 15 – Type 1, Type 1 Gasketed, and Type 12 Seismic Tie-Down Locations ..	33
Figure 16 – Seismic Tie-Down Locations for 18-Pulse AC Drive MCC Sections .	33
Figure 17 – Type 3R Seismic Tie-Down Locations	34
Figure 18 – Attachment Locations for Top Lateral Bracing	35
Figure 19 – P Gasketing	36
Figure 20 – Removing the End Deflector	39
Figure 21 – Removing the Insulating Barrier	40
Figure 22 – Installing the Deflector Bracket	40
Figure 23 – Re-attaching the Back Plates	41
Figure 24 – Installing the Splice Deflector	42
Figure 25 – Attach the Multi-Section Bracket	44
Figure 26 – Remove Mid and End Deflector Caps from the Top of the MCC	44
Figure 27 – Secure the Vertical Channels	45
Figure 28 – Replace Lifting Angle Hardware	45
Figure 29 – Horizontal Wireway Covers and Bus Barriers Removed	46
Figure 30 – Correct Application of Splice (shown installed) for 600/800 A, Non-Fork Bus	47
Figure 31 – Incorrect Application of Single-Bar Splice on Fork-Type Bus	47
Figure 32 – Remove Bolts from Single-Splice Bar	47
Figure 33 – Move and Align the Splice Bar to the Bus Holes	48
Figure 34 – Insert Splice Bolts in the Left and Right Sections	48
Figure 35 – Place a Conical Washer Under the Bolt Head	48
Figure 36 – Torquing the Bolts	48
Figure 37 – Remove the Left Bolts and Loosen the Right Bolts on the Splice Assembly	49
Figure 38 – Align the Splice and Bus Holes	49
Figure 39 – Insert the Splice Bolts	50
Figure 40 – Place a Conical Washer Under the Bolt Head	50
Figure 41 – Torque the Bolts	50
Figure 42 – Wireway Covers Removed and Horizontal Bus Barriers Open	51
Figure 43 – Loosen Bolts	52
Figure 44 – 85,000 A Bracing Option	52
Figure 45 – Slide the Splice Assembly to the Left	52

Figure 46 – Insert the Splice Bolts 53

Figure 47 – Place a Conical Washer Under the Bolt Head 53

Figure 48 – Torque All Bolts 53

Figure 49 – Ground Splice Bar as Shipped 54

Figure 50 – Ground Bar Bolt Replaced 54

Figure 51 – Location of Ground Closing Plates 55

Figure 52 – Wireway Covers Removed and Horizontal Bus Barriers Open 56

Figure 53 – Remove the Bolts from the Splice Assembly 57

Figure 54 – Align the Splice and Bus Holes 57

Figure 55 – Insert the Splice Bolts 57

Figure 56 – Place a Conical Washer Under the Bolt Head 58

Figure 57 – Torque All Bolts 58

Figure 58 – Splice Offset Horizontal Bus 59

Figure 59 – Place a Conical Washer Under the Bolt Head 59

Figure 60 – Line-Side Isolation Cable Vault and ArcBlok Top-Feed Main
Breaker Access 61

Figure 61 – Line-Side Isolation Cable Vault and ArcBlok Top-Feed Main Lug
Breaker Access 62

Figure 62 – Line-Side Isolation Cable Vault and ArcBlok Bottom-Feed Main
Breaker Access 63

Figure 63 – Line-Side Isolation Cable Vault and ArcBlok Bottom-Feed Main
Lug Breaker Access 64

Figure 64 – Line-Side Isolation Cable Vault Conduit Installation and Sealing 65

Figure 65 – ArcBlok Lug Cover in Place Prior to Lacing 66

Figure 66 – First Cable Lacing Loop 66

Figure 67 – Upper and Lower Cable Lacing Groups 67

Figure 68 – ArcBlok Interphase Barriers 67

Figure 69 – ArcBlok Interphase Barriers and Lug Cover Grooves 68

Figure 70 – Remove the Hardware 69

Figure 71 – Reposition and Attach the Vent Hood 69

Figure 72 – Remove the Hardware 70

Figure 73 – Install the Pull Box 71

Figure 74 – Install the Pull Box 72

Figure 75 – Remove the Hardware 73

Figure 76 – Install the Pull Box 74

Figure 77 – Wiring in the Top Horizontal Wire Trough 75

Figure 78 – Vertical Wire Trough Grommet 75

Figure 79 – Pull-apart Type Terminal Blocks 75

Figure 80 – Typical Cabled Disconnect Unit 76

Figure 81 – Typical Horizontal Bus Assembly 77

Figure 82 – Main Lug Compartment Torque Connection 78

Figure 83 – Size 1 and 2 Fuse Clip Locations 79

Figure 84 – Pre-operation Check 80

Figure 85 – Typical Bus Connection Points 83

Figure 86 – Typical Bus Connection Points—Top-Feed ArcBlok Main Access ... 84

Figure 87 – Main Lug Compartment Torque Connection 84

Figure 88 – Control Unit 85

Figure 89 – Operator Mechanism in the OFF Position 86

Figure 90 – Loosening Captive Fasteners 87

Figure 91 – Arc-Rated MCC Door Latches 87

Figure 92 – Releasing the Lock-in Device (when supplied) 87

Figure 93 – Disconnected Terminal Blocks 87

Figure 94 – Power Leads and Top of Terminal Blocks Fed Through Wiring Port 88

Figure 95 – Pulling the Twin Handle Cam Mechanism Forward 88

Figure 96 – Operating the Mechanism-to-Structure Interlock	88
Figure 97 – Locked Out Device	88
Figure 98 – Control Unit Removed	89
Figure 99 – Control Unit with Bottom Plate Folded Down	89
Figure 100 –Driving Out Hinge Pin	89
Figure 101 –Operator Handle in the OFF Position	90
Figure 102 –Loosening Captive Fasteners	90
Figure 103 –Control Station Plate Removed	91
Figure 104 –Operator Handle and Interlock Release	91
Figure 105 –Stab Assembly	92
Figure 106 –Operator Mechanism in the Tripped Position	93
Figure 107 –Inspecting Fuses	93
Figure 108 –Starter Contacts	93
Figure 109 –Control Devices	94
Figure 110 –Tripping the Overload Relay	94
Figure 111 –Tightening Electrical Connections	95
Figure 112 –Manual and Automatic Bus Shutters	95
Figure 113 –Typical Bus Connection Points	99
Figure 114 –Inspection Points After a Fault	100
Figure 115 –Operating Door Interlock Defeat Mechanism	100
Figure 116 –Motor Logic SSOLR	102
Figure 117 –NEMA Rated Compac™ 6 Unit	102
Figure 118 –NEMA Rated Standard Unit	102
Figure 119 –Looping Passes	104
Figure 120 –Motor Logic Overload (Bottom View)	105
Figure 121 –Unit Adjustment Label	106
Figure 122 –Mag-Gard and TeSys B-frame Magnetic Trip Adjustment	108
Figure 123 –PowerPact H- and J-frame Magnetic Trip Adjustment	108
Figure 124 –PowerPact L-frame Instantaneous Trip Adjustment	109
Figure 125 –PowerPact P-frame Instantaneous Trip Adjustment	110
Figure 126 –Typical Cabling Scheme for Modbus® Two-Wire	114
Figure 127 –Typical Cabling Scheme for DeviceNet™ and CANopen (8A cable)	115
Figure 128 –Typical Cabling Scheme for PROFIBUS	116
Figure 129 –Motor Logic Plus Communication Module Terminals	119
Figure 130 –TeSys T Controllers	125
Figure 131 –NEMA Rated Control Unit (TeSys T Modbus)	125
Figure 132 –Typical Arc-Rated Label Locations on Sections and Units	131
Figure 133 –Shelf and Door Installation	134
Figure 134 –Midshelf for Arc-Rated MCCs	134
Figure 135 –Cutting the Vertical Wire Trough Grommet (when supplied)	135
Figure 136 –Removing the Manual Bus Shutter	135
Figure 137 –Engaging the Cam Mechanism	136
Figure 138 –Handles Flush with the Front of the MCC	136
Figure 139 –Tightening the Control Unit Lock-in Panel (when supplied)	136
Figure 140 –Reinstalling the Compac 6 Control Unit	137
Figure 141 –Power Leads Connected to Power Terminals	137
Figure 142 –Typical Unit Torque Label	138
Figure 143 –Connecting Control Leads to the Terminal Blocks	138
Figure 144 –Pull-apart Terminals	138
Figure 145 –Circuit Breaker Replacement	153
Figure 146 –Aligning the Arrows on the Panels	155
Figure 147 –Right Panel (Side View)	156
Figure 148 –Installing the Right Panel into the Rear Groove	156
Figure 149 –Fixed Horizontal Bus Barrier	157

ENGLISH

Figure 150 –Horizontal Bus Barrier Installation and Removal 158

Figure 151 –Barrier Installed and Removed 158

Figure 152 –Retrofit Kit Components 159

Figure 153 –Remove Existing Brackets on the 15 in. (381 mm) Deep MCC 161

Figure 154 –15 in. (381 mm) Deep MCC Retrofit Bracket 162

Figure 155 –20 in. (508 mm) Deep MCC Retrofit Bracket 162

Figure 156 –Endcap Placement 163

Figure 157 –Horizontal Bus Barrier (L-shaped) Bracket 164

Figure 158 –Welded and Relay Topshelf Assemblies 164

Figure 159 –Right Panel (Side View) 165

Figure 160 –Installing the Right Panel into the Rear Groove 165

Figure 161 –Aligning the Arrows on the Panels 166

Figure 162 –Location of Auto-Shutter Cover for Side-Panel Opening 167

Figure 163 –Automatic Vertical Bus Shutter in an MCC (front view) 168

Figure 164 –Shelf Installation—Style 1 169

Figure 165 –Automatic Vertical Bus Shutter Installation—Style 1 170

Figure 166 –Automatic Vertical Bus Shutter Removal—Style 1 171

Figure 167 –Shelf Installation—Style 2 172

Figure 168 –Automatic Vertical Bus Shutter Installation—Style 2 173

Figure 169 –Automatic Vertical Bus Shutter Removal—Style 2 174

List of Tables

ENGLISH

Table 1 – MCC-Related Literature.....	16
Table 2 – iMCC-Related Literature.....	17
Table 3 – Approximate MCC Shipping Weights	20
Table 4 – Connection Torque Values for Main Lug Compartments	78
Table 5 – Connection Torque Values for Main and Branch Feeders.....	78
Table 6 – Bus Connection Torque Values.....	84
Table 7 – Bus Connection Torque Values	99
Table 8 – Lug Types and Wire Sizes.....	104
Table 9 – Pin Outs for iMCC Networks.....	112
Table 10 – Network Connection Pin Outs.....	113
Table 11 – Local Error Display	120
Table 12 – Command Line Codes.....	121
Table 13 – Motor Logic Plus Address Descriptions	121
Table 14 – Read-Only Registers	123
Table 15 – Read/Write Registers.....	124
Table 16 – Shelf Installation Kit Parts.....	134
Table 17 – Motor Control Center Troubleshooting Chart.....	140
Table 18 – Shelf Installation Kit Parts—Style 1	169
Table 19 – Shelf Installation Kit Parts—Style 2	172

ENGLISH

Section 1—About the Model 6 Motor Control Center

Motor control centers (MCCs) provide the most suitable method for grouping electrical motor control and other related devices in a compact, economical, and free-standing installation. A motor control center is made of standardized vertical sections consisting of totally enclosed, dead front, free-standing structures bolted together. These sections support and house control units, a common bus bar for distributing power to the control units, and a network of wire trough and conductor entrance areas to accommodate outgoing load and control wires.

The control units consist of components such as combination motor starters, branch feeder devices, and lighting panelboards. Each is mounted in an individual, isolated compartment having its own cover. When front-of-board unit arrangement is selected, all units are mounted on the front side of the MCC. A 15 in. (381 mm) or 20 in. (508 mm) deep section is provided for front-of-board mounting. The standard MCC width is 20 in. (508 mm) with a 4 in. (102 mm) wide vertical wireway.

An optional 25 in. (635 mm) wide section with a 9 in. (229 mm) wide wireway is also available. Larger sections are available for mounting larger equipment. When a back-to-back arrangement is selected, the units are mounted on both the front and rear of 31 in. (787 mm) or 41 in. (1041 mm) deep structures. Approximately 1 in. (25 mm) of space is between back-to-back sections. The standard height of all MCC structures is 91.5 in. (2324 mm) without the 3 in. (76.2 mm) lifting angle.

NOTE: Model 6 MCCs may be equipped with top-located pull boxes that can add up to 18 in. of height to the section. MCCs with the ArcBlok™ Top Entry options will have an 18 in. pull box as standard.

Model 6 MCCs are available with an arc-rated option that provides an arc containment rating tested per ANSI C37.20.7-2007 guidelines. Additional reinforcement and pressure relief features are added to the Model 6 MCC to meet the arc containment rating. Refer to ANSI C37.20.7-2007 for the specific test requirements to which the arc-rated Model 6 MCC has been subjected.

The arc-rated Model 6 MCC can provide enhanced arc containment in case of an arcing fault inside the MCC. This is a valuable feature along with other arc flash enhancements available with Model 6 MCCs. Contact your local Schneider Electric representative for more information on Model 6 MCC arc flash options.

A Model 6 MCC with the arc-rated option includes a label (Figure 1 on page 14) which states the performance and requirements necessary to maintain the rating. The arc containment rating is applicable to the front, sides, and rear of the MCC (defined as Type 2 in ANSI C37.20.7-2007).

This instruction bulletin contains specific instructions on maintaining, modifying, and expanding an arc-rated Model 6 MCC. These instructions must be followed to maintain the arc containment rating of the MCC. To achieve the labeled arc containment rating, the additional 100 Millisecond, Arc-Rated MCC, Upstream Over-Current Protection Device (OCPD) Requirements on page 15 must be met.

NOTE: Application of the arc-rated option in Model 6 MCCs meeting the requirements of ANSI C37.20.7-2007 does not eliminate the requirements for use of personal protection equipment (PPE).

ENGLISH

Figure 1 – Model 6 MCC 100 ms Arc-Rated Option Label and Typical Location on Enclosure

Arc Rating Information

This Motor Control Center has been tested and meets the requirements of ANSI C37.20.7-2007 to the following level:

- Type 2 accessibility
- Protection from an internal arcing event is DEVICE LIMITED
- The maximum clearing time for the protective device shall be 50 milliseconds
- Maximum short circuit current is 65,000 amperes RMS symmetrical
- Arc duration of 100 milliseconds

Attention

The above ratings apply when all the following conditions are met:

- All factory-supplied installation, operational and maintenance instructions are followed
- Equipment shall be electrically coordinated and protected by a circuit breaker or fuses as described in document 80459-641-01
- All units mounted in the Motor Control Center are labeled as "Arc Rated Unit"
- If spliced to another section, it must be a Model 6 Motor Control Center that has been certified to meet the requirements of ANSI C37.20.7-2007
- All doors are closed and all provided hardware is engaged
- All exterior covers and panels are secured using all the hardware provided
- All internal barriers are installed and secured using all the hardware provided
- Voltage does not exceed the rating indicated on the nameplate
- No modifications have been made to the factory-supplied power circuit or unit/section structural components
- For any damage to this equipment, please contact Schneider Electric Services to arrange for repair of the equipment

For further information, refer to instruction bulletin 80459-641-01.



100 Millisecond, Arc-Rated MCC, Upstream Over-Current Protection Device (OCPD) Requirements

The OCPD external to and upstream of the MCC must meet the following criteria:

1. The current rating of the upstream OCPD must be equal to or less than the main device and main bus rating of the MCC.
2. The voltage rating of the upstream OCPD must be equal to or greater than the voltage rating of the MCC. The maximum voltage is 600 V.
3. The interrupting rating of the upstream OCPD must be equal to or greater than the available short circuit current. The maximum available short circuit current is 65,000 A.
4. The instantaneous trip setting (if available) of the upstream OCPD must NOT be turned off and must be set to trip at or below 35,000 A.
5. The short time delay trip setting (if available) of the upstream OCPD MUST be set to the OFF position; no intentional delay is allowed.
6. Approved circuit breakers that can be used as the upstream OCPD:
 - 15–125 A, PowerPact™ B-frame circuit breakers manufactured by Schneider Electric
 - 15–150 A, PowerPact H-frame circuit breakers manufactured by Schneider Electric
 - 175–250 A, PowerPact J-frame circuit breakers manufactured by Schneider Electric
 - 300–600 A, PowerPact L-frame circuit breakers equipped with Micrologic™ trip units, manufactured by Schneider Electric
 - 700–1200 A, PowerPact PJ- or PL-frame circuit breakers equipped with Micrologic trip units, manufactured by Schneider Electric
 - 1200–2500 A, PowerPact R-frame circuit breakers equipped with MicroLogic trip units, manufactured by Schneider Electric
 - 800–1200 A, Masterpact™ NT circuit breakers equipped with Micrologic trip units, manufactured by Schneider Electric
 - 1600–2500 A, Masterpact NW circuit breakers equipped with Micrologic trip units, manufactured by Schneider Electric
7. Approved fuses that can be used as the upstream OCPD:
 - 15–600 A, UL Listed, Class RK1 from any manufacturer
 - 15–600 A, UL Listed, Class RK5 from any manufacturer
 - 15–600 A, UL Listed, Class J from any manufacturer
 - 700–2500 A, UL Listed, Class L from any manufacturer

Schneider Electric Literature List

The following Schneider Electric publications may be useful in the maintenance and regular operation of your Model 6 MCC. Your local Schneider Electric representative can provide them upon your request. Or, you can download these documents from the Technical Library at www.schneider-electric.us/en/download.

Table 1 – MCC-Related Literature

Publication No.	Title	Publication No.	Title
8998CT9701	Motor Control Centers (Model 6 Catalog, Class 8998)	30072-013-26	AC Magnetic Contactors and Starters, Size 4
80444-233-01	Altivar™ 61/71 Adjustable Speed Drive Controllers in Motor Control Centers	30072-013-47	AC Magnetic Contactors and Starters, Size 5
80438-069-02	Altistart 48 Soft Start Units in Motor Control Centers	30072-013-60	AC Magnetic Contactors and Starters, Size 6
80439-666-01	Disconnect Assembly Replacement	3020IM9503	PowerLogic™ Power Meter
80445-750-01	Location Restrictions for Installing a VeriSafe™ Absence of Voltage Tester (AVT) Unit into a Model 6 Motor Control Center (MCC)	3020IM9806	PowerLogic Circuit Monitor Series 2000 Reference Manual
80459-652-01	Altistart™ 22 Soft Starters in Motor Control Centers	63230-400-207	PowerLogic Circuit Monitor Series 3000 Reference Manual
80459-654-01	Model 6 Arc-Rated Motor Control Centers	63230-300-213	PowerLogic Circuit Monitor Series 4000 Reference Manual
80459-655-01	Closed Door Racking (CDR) Unit for Square D™ Model 6 Low Voltage Motor Control Centers (LVMCCs)	0100CT1901	Schneider Electric Digest
80459-656-01	1600 A Splice Instructions	63230-500-224	PowerLogic™ Series 800 Power Meter (PM820, PM850, PM870) Installation Manual
80466-258-01	Installing a Pull Box Kit into the Square D™ Model 6 Arc Rated (AR) Motor Control Center (MCC)	63230-500-225	PowerLogic™ Series 800 Power Meter PM810, PM820, PM850, & PM870 User Guide
48040-732-04	LC and LI Circuit Breakers	NHA80932	Altivar Process Variable Speed Drives ATV930, ATV950 Installation Manual
48049-034-04	LA, LAMC, LH, LHMC, SLA and Q4 Circuit Breakers	NHA80757	Altivar Process Variable Speed Drives ATV930, ATV950, ATV960, ATV980 Programming Manual
48940-115-03	GJL Mag-Gard Instantaneous Trip Circuit Breakers	EAV64301	Altivar Process Variable Speed Drives ATV630, ATV650 Installation Manual
48940-260-01	Motor Circuit Protector (MCP) Settings for PowerPact H- and J-frame Motor Circuit Protectors	EAV64318	Altivar Process Variable Speed Drives ATV630, ATV650, ATV660 Programming Manual
48940-274-01	PowerPact™ H- and J-Frame Electronic Trip Circuit Breaker	HRB1684301	PowerLogic PM5500 Series User Manual
S1A10942	Quick Start Guide — ATV312	7EN02-0336	PowerLogic PM8000 Series User Manual
30072-013-29	Motor Logic™ Solid-State Overload Relay	NVE78642	PowerLogic ION9000 Series Installation Guide
30072-013-98	Motor Logic Plus™ Programmable Solid-State Overload Relay	7EN02-0390-00	PowerLogic ION9000 Series User Manual
30072-013-99	Motor Logic Plus Solutions Software	QGH42230	PowerLogic RD192 Display Installation Guide
30072-013-101	Motor Logic Plus Lug-Lug Kit	NVE41289	Altivar Machine ATV320 Variable Speed Drives for Asynchronous and Synchronous Motors Installation Manual
30072-013-102	Motor Logic Plus Network Communication Module	NVE41295	Altivar Machine ATV320 Variable Speed Drives for Asynchronous and Synchronous Motors Programming Manual
30072-013-52	AC Magnetic Contactors and Starters, Size 00	DOCA0102EN	Masterpact MTZ Micrologic X Control Unit User Guide
30072-013-22	AC Magnetic Contactors and Starters, Size 0	PHA53377	Masterpact MTZ Unpacking Instruction Sheet
30072-013-23	AC Magnetic Contactors and Starters, Size 1	NVE35470	Masterpact MTZ2/MTZ3 Drawout Circuit Breaker or Switch-Disconnecter Instruction Sheet
30072-013-24	AC Magnetic Contactors and Starters, Size 2	MFR21149	Thermal Monitoring Dongle Kit Instruction Bulletin
30072-013-25	AC Magnetic Contactors and Starters, Size 3		

Table 2 – iMCC-Related Literature

Publication No.	Title	Publication No.	Title
atv71_parameters_en	Altivar® 71 Communication Parameters User's Manual	840USE10000	Modicon™ TSX Quantum Automation Series
atv71_programming_manual_en	Altivar 71 Programming Manual	840USE11300	Modicon XMIT Function Block
atv71_Modbus_EN	Altivar 71 Modbus®/Uni-Telway™ Card—Modbus protocol	840USE11600	Quantum NOE 771 X0 Ethernet Modules User Guide
atv71_Uni-Telway_EN	Altivar 71 Modbus/Uni-Telway card—UniTelway protocol	870USE00200	TSX Momentum™ I/O Base User Guide
BBV46391	Altivar 312 AC Drive Installation Manual	870USE10100	Modicon TSX Momentum M1 Processor Adapter and Option Adapter User Manual
BBV46385	Altivar 312 AC Drive Programming Manual	870USE11400	Ethernet Communications Adapter
890USE10300	Modicon Modbus Plus™ Network BM85 Bridge Multiplexer User's Guide	890USE10000	Modicon Modbus Plus Network Planning/Installation Guide
Modicon TSX Quantum Automation Series	www.modicon.com/specguide98/	3000DB0001	PowerLogic™ System Architecture and Application Guide
PI-MBUS-300	Modicon – Modbus Protocol Reference Guide	3020IB9818	PowerLogic Ethernet Communication Module, Models ECM-2000 and ECM-RM
30072-013-98	Motor Logic Plus™ Programmable Solid-State Overload Relay	63230-500-200	PowerLogic Series 800 Power Meter Installation Manual—PM810
30072-013-99	Solutions Software for Motor Logic Plus SSOL	63230-500-224	PowerLogic Series 800 Power Meter Installation Manual—PM820, PM850,
30072-013-101	Motor Logic Plus Lug-Lug Kit	63230-400-204	PowerLogic Circuit Monitor Series 3000 Installation Manual
30072-013-102	Motor Logic Plus Network Communication Module	63230-300-209	PowerLogic Circuit Monitor Series 4000 Installation Manual
30072-450-61	Altistart™ 48 Y-Range Soft Start Controllers	3050IM9601	PowerLogic Ethernet Gateway
1639501	TeSys™ T LTM R Modbus Motor Management Controller User's Manual	3080HO9601	System Manager™ Software SMS-3000
1639502	TeSys T LTM R PROFIBUS Motor Management Controller User's Manual	3080IB9803	PL, PowerLogic System Manager 3000
1639503	TeSys T LTM R CANopen Motor Management Controller User's Manual	3080IM9603	Ethernet Driver for System Manager
1639504	TeSys T LTM R DeviceNet™ Motor Management Controller User's Manual	EAV64327	Altivar Process ATV600 Variable Speed Drives for Asynchronous and Synchronous Motors Embedded Ethernet Manual
1639505	TeSys T LTM R Modbus/TCP Motor Management Controller User's Manual	EAV64328	Altivar Process ATV600 Variable Speed Drives for Asynchronous and Synchronous Motors EthernetIP Modbus TCP Manual -
1639572	TeSys T LTM R Modbus Motor Management Controller Quick Start Guide	EAV64329	Altivar Process 600 PROFIBUS DP Manual - VW3A3607
1639573	TeSys T LTM R PROFIBUS-DP® Motor Management Controller Quick Start Guide	EAV64330	Altivar Process 600 Variable Speed Drives for Asynchronous and Synchronous Motors DeviceNet Manual - VW3A3609
1639574	TeSys T LTM R CANopen Motor Management Controller Quick Start Guide	EAV64333	Altivar Process ATV600 Variable Speed Drive for Asynchronous and Synchronous Motors CANopen Manual - VW3A3608,
1639575	TeSys T LTM R DeviceNet Motor Management Controller Quick Start Guide	NHA80940	Altivar Process 900 Ethernet Manual - Embedded
1639576	TeSys T LTM R Modbus/TCP Motor Management Controller Quick Start Guide	NHA80941	Altivar Process 900 PROFIBUS DP Manual - VW3A3607
1639581	TeSys T LTM CU Control Operator Unit User's Manual	NHA80942	Altivar Process 900 Variable Speed Drives for Asynchronous and Synchronous Motors DeviceNet Manual - VW3A3609
1639508_01a55	LTM R - Instruction Sheet	NHA80945	Altivar Process 900 CANopen Manual - VW3A3608, 618, 628
1639509_01a55	LTM E - Instruction Sheet	NHA80946	Altivar Process 900 Variable Speed Drives EtherCAT Manual - VW3A3601
1639582_01a55	LTM CU - Instruction Sheet		

Section 2—Safety Precautions

Carefully read and follow the safety precautions before attempting to lift, move, install, use, or maintain Model 6 MCCs and their components.

⚠ DANGER

HAZARD OF ELECTRIC SHOCK, EXPLOSION, OR ARC FLASH

- Apply appropriate personal protective equipment (PPE) and follow safe electrical work practices. See NFPA 70E, NOM-029-STPS-2011, or CSA Z462.
- This equipment must only be installed and serviced by qualified electrical personnel.
- Qualified electrical personnel must perform work in accordance with all applicable national and local electrical codes.
- Perform such work only after reading and understanding all of the instructions contained in this bulletin.
- Follow all safety procedures defined in NFPA 70E, CSA Z462, and OSHA 1910.331-35, as well as those established by your specific location.
- Turn off all power supplying this equipment before working on or inside equipment.
- Assume that all circuits are live until they have been completely de-energized, tested, locked out, and/or tagged out (per OSHA 1910.147). Pay particular attention to the design of the power system. Consider all sources of power, including the possibility of backfeeding.
- Always use a properly rated voltage sensing device to confirm power is off.
- Replace all devices, doors, and covers before turning on power to this equipment.

Failure to follow these instructions will result in death or serious injury.

⚠ WARNING

POTENTIAL COMPROMISE OF SYSTEM AVAILABILITY, INTEGRITY, AND CONFIDENTIALITY

- Change default passwords to help prevent unauthorized access to device settings and information.
- Disable unused ports/services and default accounts, where possible, to minimize pathways for malicious attacks.
- Place networked devices behind multiple layers of cyber defenses (such as firewalls, network segmentation, and network intrusion detection and protection).
- Use cybersecurity best practices (for example: least privilege, separation of duties) to help prevent unauthorized exposure, loss, modification of data and logs, interruption of services, or unintended operation.

Failure to follow these instructions can result in death, serious injury, equipment damage, or data loss.

⚠ WARNING: This product can expose you to chemicals including Nickel compounds, which are known to the State of California to cause cancer, and Bisphenol A (BPA), which is known to the State of California to cause birth defects or other reproductive harm. For more information go to www.P65Warnings.ca.gov.

Section 3—Receiving, Handling, and Storing the MCC

MCCs are constructed in shipping blocks of up to three vertical sections. This allows for ease of handling during transportation and installation. The main horizontal bus of all shipping blocks will be spliced together at the job site with the use of captive horizontal splice bars.

Before shipment from the factory, the MCC is inspected visually, electrically, and mechanically by professional quality control analysts. Certification of quality control testing is available upon request.

After leaving Quality Control, each shipping block is carefully packaged and attached to a skid (see Figures 2 and 3).

Figure 2 – Motor Control Center Packaged in Sideways Position (Typical for Most Sections)



Figure 3 – Motor Control Center Packaged in Upright Position (Typical for Extra Heavy Sections such as 18-Pulse Drives or as Customer Option)



ENGLISH

Receiving the MCC

Inspect the MCC for damage as soon as it is received. Delivery of the equipment to a carrier at any of the Schneider Electric plants or other shipping point constitutes delivery to the purchaser. Title and all risk of loss or damage in transit shall pass to the purchaser at that time. Refer to the Schneider Electric Conditions of Sale for more details. All claims for loss and damage must be made by the purchaser to the carrier.

If the packaging material is removed, replace it for protection until the MCC is installed.

Handling the MCC

⚠ WARNING
HAZARD OF BODILY INJURY OR EQUIPMENT DAMAGE
<ul style="list-style-type: none"> • Use extreme caution when moving sections. The MCC has a high center of gravity, which may cause it to tilt. • Do not attempt to lift or attach lifting means to sections equipped with pull boxes.
Failure to follow these instructions can result in death or serious injury.

Equipment Needed

Adequate equipment, such as a fork truck, crane, or rods and pipe rollers, must be available for handling MCCs. Table 3 lists the approximate shipping weights of sections equipped with **typical** units. If you need more exact shipping weights for your particular set-up, please contact the MCC Technical Assistance Group at 800-634-2003.

Table 3 – Approximate MCC Shipping Weights

Enclosure Type		Depth	One Section	Two Sections	Three Sections
1, 1A, 12		15 in. (381 mm)	600 lb (272 kg)	1200 lb (544 kg)	1800 lb (816 kg)
3R Non-Walk-In		15 in. (381 mm) (26.6 in. / 676 mm overall)	900 lb (408 kg)	1800 lb (816 kg)	2700 lb (1225 kg)
1, 1A, 12		20 in. (508 mm)	750 lb (340 kg)	1500 lb (680 kg)	2250 lb (1021 kg)
3R Non-Walk-In		20 in. (508 mm) (31.6 in. / 803 mm overall)	1050 lb (476 kg)	2100 lb (953 kg)	3150 lb (1429 kg)
18-Pulse Drive	50 in. W (1270 mm)	20 in. (508 mm)	N/A	2107 lb (956 kg)	N/A
	65 in. W (1651 mm)			2816 lb (1277 kg)	

Moving the MCC

As shown in Table 3 on page 20, weights vary by enclosure type and depth. To minimize the risk of injury and equipment damage while moving the MCC, follow these guidelines:

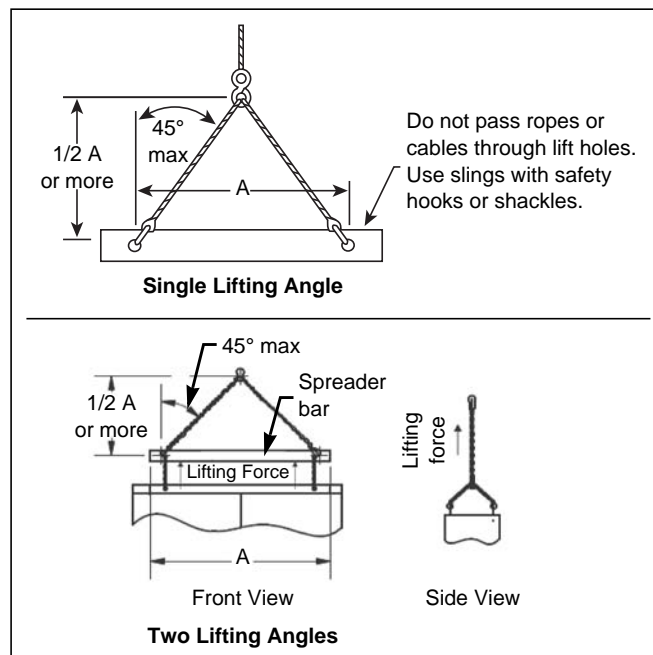
- Use caution when moving heavy equipment.
- Verify that the moving equipment is rated to handle the weight.
- Fork trucks, when available, provide a convenient method of moving MCCs (see Figure 4). When removing an MCC from a shipping pallet, carefully balance and secure it using a safety strap.

NOTE: Standard sections are packaged and shipped in a sideways position, as shown in Figure 2 on page 19 and Figure 4. Extra heavy sections, such as 18-pulse drives, are packaged and shipped in an upright position, as shown in Figure 3 on page 19. MCC sections can also be packaged and shipped in an upright position at the customer's request.

Figure 4 – Moving the MCC with a Fork Truck



Figure 5 – Proper Use of Sling to Lift MCCs



Each shipping block has lifting angles for handling the MCC with overhead cranes. Take the following precautions when using a crane:

- Handle MCCs in the upright position only.
- Select rigging lengths to compensate for any unequal weight distribution.
- Do not exceed the 45° maximum angle between the vertical and lifting cables (see Figure 5).
- Use only slings with safety hooks or shackles. Do not pass ropes or cables through the holes in the lifting angle(s).

After the shipping section is in place, its lifting angle(s) may be removed and discarded. To prevent the entrance of foreign materials, replace all hardware that secured the lifting angle(s).

Model 6 MCCs with the arc-rated option must have the lifting angle removed to maintain the arc rating and allow the proper operation of the arc-rated vent flaps. Retain the hardware from the lifting angle for installing the top-plate assembly (shipped separately for arc-rated MCCs).

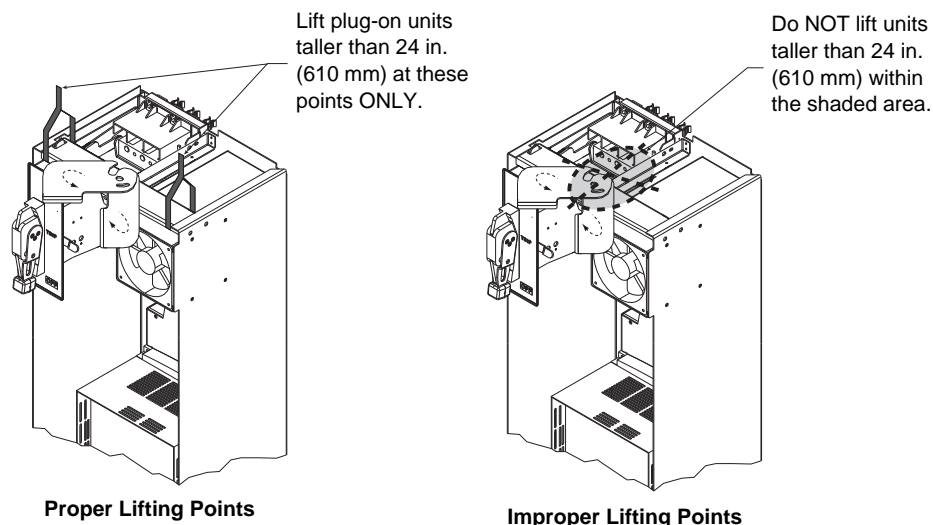
Model 6 MCCs with the ArcBlok option must have the lifting angle removed and discarded. The vented hood should then be moved to the vent location. To prevent the entrance of foreign materials, replace all hardware that secured the lifting angle.

NOTE: Do not attempt to lift or attach lifting means to sections equipped with pull boxes.

Observe the following precautions for MCC units shipped to the site as a plug-on unit.

- Lifting plug-on units taller than 24 in. (610 mm) require two or more persons using special handling precautions and lifting devices.
- If lifting devices are used, refer to Figure 6 for proper lifting points.

Figure 6 – Proper/Improper Lifting Points for Plug-in Units Taller Than 24 in.



Before installing any MCC control units, locate and retighten or retorquing any connections that may have loosened during shipment and handling. Refer to the procedures in “Installing Additional MCC Units” on page 134 of this instruction bulletin.

Storing the MCC

NOTICE

EQUIPMENT DAMAGE HAZARD

Never store MCCs outdoors. Outdoor storage is inadequate, even with the protection of a tarpaulin.

Failure to follow this instruction can result in equipment damage.

If the MCC cannot be placed into service upon receipt, store it in a clean, dry, ventilated building free from temperature extremes. Acceptable storage temperatures are from 0 °C (32 °F) to 40 °C (104 °F). Acceptable humidity levels are 0–95%, non-condensing.

If the storage area is cool and/or damp, provide enough heat to prevent condensation inside the MCC. Contact your Schneider Electric field sales representative for specific requirements.

Section 4—Installing the MCC

This section explains how to locate, install, and join Model 6 MCC enclosures, and how to splice power and ground bus. Refer to MCC front elevation drawings supplied by Schneider Electric for location/placement of shipping splits/sections within each MCC line-up. For information related to removing and installing existing and new units, see “Section 10—Expansion” on page 131, or the information included with the shipment of the new device.

Locating the MCC

⚠ DANGER

HAZARD OF ELECTRIC SHOCK, EXPLOSION, OR ARC FLASH

- Apply appropriate personal protective equipment (PPE) and follow safe electrical work practices. See NFPA 70E or CSA Z462.
- This equipment must only be installed and serviced by qualified electrical personnel.
- Turn off all power supplying this equipment before working on or inside equipment.
- Always use a properly rated voltage sensing device to confirm power is off.
- Replace all devices, doors, and covers before turning on power to this equipment.
- When moving MCC sections, follow the instructions in “Handling the MCC” on page 20. The MCC has a high center of gravity, which may cause it to tilt.

Failure to follow these instructions will result in death or serious injury.

MCCs are designed for use in non-hazardous locations. Choose a location for installation that is well ventilated and free from excess humidity, dust, and dirt. The temperature of the area should be no less than 0 °C (32 °F) and no greater than 40 °C (104 °F). Protect the enclosure from the entrance of water or any moisture.

Space Requirements

Install MCCs in an area with a minimum of 3 ft. (0.9 m) of free space in front of front-of-board construction. An additional 3 ft. (0.9 m) is necessary in the rear of back-to-back construction. This free space provides adequate room to remove and install units. (More space may be required for some applications; refer to applicable local and national installation codes.) Provide at least 0.5 in. (13 mm) of space between the back of front-of-board MCCs and a wall. For damp locations, provide at least 6 in. (152 mm).

When selecting a location for the installation of an MCC, carefully consider accessibility, overhead clearances, and future expansions. Considering these factors will eliminate many difficulties during this and future MCC installations.

NOTE: Model 6 MCCs with the arc-rated option have pressure-relief roof flaps for top venting of arc fault gases. These MCCs require a minimum of 28.5 in. (724 mm) from the top plate of the MCC to the nearest obstruction (minimum ceiling height of 10 ft. (3 m) including base channel). See the special hazard statement on page 25 concerning the required clearance above the equipment.

⚠ DANGER

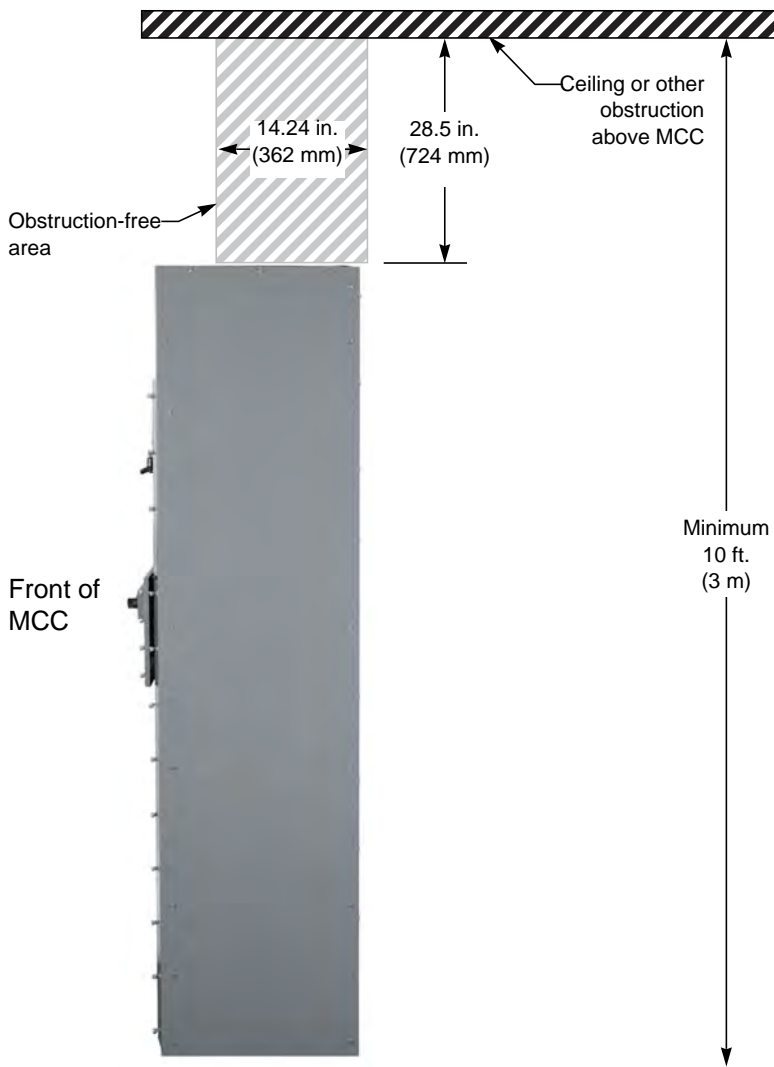
BURN HAZARD FROM HOT GASES

- Apply appropriate personal protective equipment (PPE) and follow safe electrical work practices. See NFPA 70E or CSA Z462.
- Keep the area directly above the equipment clear and unobstructed for a distance of 28.5 in. (724 mm) from the roof.

Failure to follow these instructions will result in death or serious injury.

The shaded area (Figure 7) above the arc-rated MCC must be free from obstructions.

Figure 7 – Required Obstruction-Free Area



Aligning the MCC

MCCs are assembled in the factory on a smooth, level surface to ensure proper alignment of all sections. A similar smooth, level surface should be provided for installation. An uneven foundation may cause misalignment of shipping blocks, units, and doors. The surface under an MCC must be of a non-combustible material, unless bottom plates are installed in each vertical section.

Joining Type 1 / Type 1 Gasketed / Type 12 Sections

Before positioning the MCC sections (see Figure 8), check for damaged bus bars and insulators. If the bus is bent or insulators are broken, do not install the MCC. Report any damage to the carrier.

- NOTES:**
- A joining hardware kit is bagged and tied to the right front corner channel of each shipping split. Captive splice bars are pre-assembled on the horizontal bus on the left side of each shipping split.
 - For gasket installation instructions, see “Splice Gaskets for Type 1 Gasketed and Type 12 Enclosures” on page 36 before joining sections.

Positioning the MCC

To mount and splice a new MCC section to an existing Model 6 section, or to join factory shipping splits, follow these steps:

1. Turn off all power supplying this equipment before working on or inside the equipment, and follow lockout/tagout procedures. Always use a properly rated voltage sensing device to confirm the power is off.
2. Remove the upper and lower horizontal wire trough covers in all sections, providing access to each section’s front splicing bolts (see Figure 8B).

Figure 8 – Motor Control Center Views



Figure 8A: All Covers in Place



Figure 8B: Horizontal Wire Trough Covers Removed



Figure 8C: Two-piece Bus Barriers Removed (splice connection made)

3. To gain access to each section’s bus splicing provisions, slide the panels of the two-piece bus barriers (see Figure 8C) in the sections adjacent to a splice connection (the left and right sections).
4. Make provisions for fastening the structure(s) to the floor and wall. See pages 30–35 for fastener locations.
5. Supporting the MCC by its base channels and/or lifting angles, lift it into place. The front edges of the base channels must be aligned to form a continuous

front in a straight line. Use a chalk line, string or other method to align the front base channels in a straight line.

- Using the notches in the base channels, carefully move the sections in to alignment with a crowbar (see Figure 9).

NOTE: Use caution when moving MCC sections, as they are top heavy. See “Handling the MCC” on page 20 before moving the MCC.

Figure 9 – Base Channel Notches



Joining Corner Channels

Figure 10 – Hardware Kit



- Turn off all power supplying this equipment before working on or inside the equipment, and follow lockout/tagout procedures. Always use a properly rated voltage sensing device to confirm the power is off.
- The hardware kit for joining sections (see Figure 10) is bagged and tied to the right front corner channel of each shipping split.
- Locate the four half-circle shaped notches on the inside surface of the corner channels (see Figure 11A on page 28).
- Using four of the 3/4 in. x 1/4-20 hex head thread-forming screws supplied in the hardware kit, join the **front** vertical corner channels by inserting the screws through the clearance holes located within the half-circle shaped notches and into the mating thread-forming hole (see Figure 11B on page 28).

NOTE: Insert the screws from whichever side provides the easiest access to the holes; either side will allow proper joining of the channels.

- Tighten the screws (see Figure 11C on page 28).
- Repeat steps 3–5 to connect the **rear** corner channels.

NOTE: In some instances, holes in the rear channels will only be accessible from the rear of the MCC with the MCC back plates removed. If the MCC is not rear accessible, install as many screws as possible from the front of the MCC (typically via the vertical wireway).

ENGLISH

Figure 11 – Bolting Sections Together

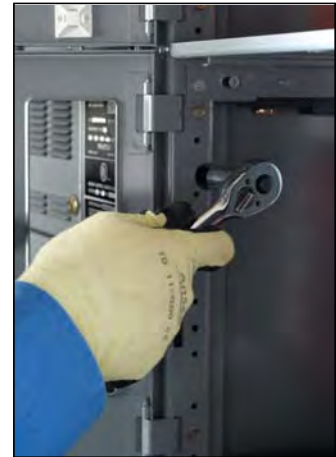


11A

Half-circle shaped notch



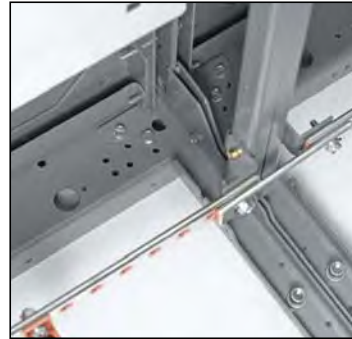
11B



11C



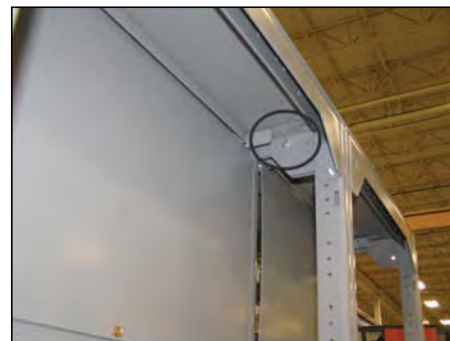
11D: Front Bottom Side Channel Connection



11E: Rear Bottom Side Channel Connection



11F: Top Front Side Channel Connection



11G: Top Rear Side Channel Connection (Shown with MCC back plates removed.)

Joining Section Side Channels

1. Locate two clearance holes for 1/4-20 hardware on the inside surface of the bottom section side channels (see Figures 11D and 11E). These can be accessed after removal of the bottom wireway cover.
2. Use two of the four 1-1/4 in. x 1/4-20 hex head thread-forming screws supplied in the hardware kit to join the bottom section side channels. The screw installed at the front is installed from the right-hand section (see Figure 11D).
3. The screw installed at the rear is installed from the left-hand section (see Figure 11E).
4. Locate two clearance holes for 1/4-20 hardware on the inside surface of the top section side channels. The front clearance hole is in the left section and is accessible after removal of the top wireway cover (see Figure 11F on page 28).
5. The rear clearance hole is in the right section. In most cases, it will be necessary to remove the section back plate or the top plate to gain access to the rear clearance hole and install the screw (see Figure 11G).

ENGLISH

Securing Structures to the Floor

Non-Seismic Applications

NOTE: See page 32 for Seismic Applications.

Fasten each section to the floor (see Figure 12) using 1/2 in. or 3/4 in., grade 5 or higher, bolts, and flat washers (furnished by customer).

0.88 in. (22 mm) diameter base channel mounting holes provide clearance for bolt expansion anchors for 1/2 in. bolts.

NOTE: Although sections are free-standing, floor fastening prevents movement, thereby preventing conduit connection damage.

Figure 12 – Standard Base Channel Mounting

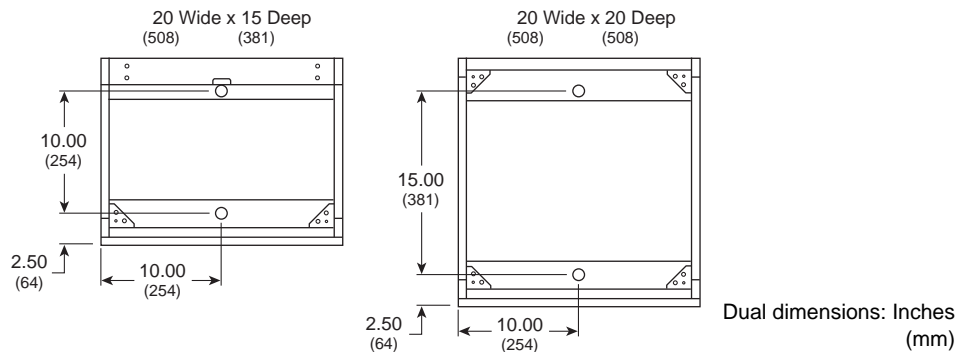
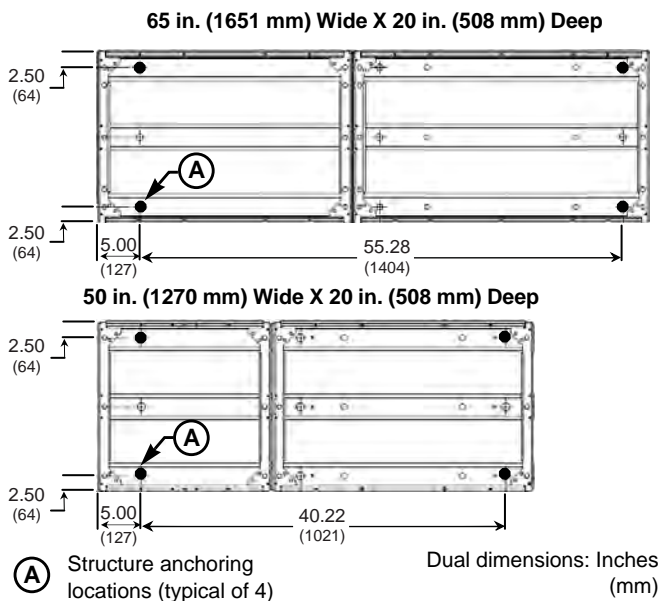


Figure 13 – Base Channel Mounting For 18-Pulse AC Drive MCC Sections



Seismic Certification of Model 6 MCCs

Model 6 Motor Control Centers that are seismically certified have been qualified to the site-specific seismic requirements of the listed model building codes and/or standards. Optional construction features may be required, depending on the location of the installation and the particular code and/or standard of interest. Seismic certificates of compliance and equipment labels are provided with all seismically certified MCCs. To maintain the validity of this certification, the installation instructions provided in this section must be followed.

Responsibility for Mitigation of Seismic Damage

For the purposes of the model building codes, Model 6 Motor Control Centers are considered nonstructural building components. Equipment capacity was determined from tri-axial seismic shake table test results as defined in the International Code Counsel Evaluation Service (ICC ES) Acceptance Criteria for Seismic Qualification Testing of Nonstructural Components (AC156).

Unless otherwise indicated, an equipment importance factor of 1.5 ($I_p = 1.5$) was used, indicating that equipment functionality was verified before and after shaker table seismic simulation testing. This importance factor is indicative of critical facilities where maximizing the probability of post event functionality is a priority.

AC156 is published by the ICC ES and has been recognized by the Building Seismic Safety Council (BSSC) as an appropriate methodology in the 2003 National Earthquake Hazard Reduction Program (NEHRP) commentary. The National Institute of Building Sciences established the BSSC in 1979 to develop and promote regulatory provisions for earthquake risk mitigation at the national level.

Incoming and outgoing cable and conduit must also be considered as related but independent systems. They must be designed and restrained to withstand the forces generated by the seismic event without increasing the load transferred to the equipment. For applications where seismic hazard exists, bottom entry and/or exit of cable and conduit is preferred.

If the spectral acceleration value (S_s as defined by the International Building Code or NFPA 5000) is in excess of 2.67g (such as the New Madrid seismic area), then the equipment must also be braced at the top using a lateral restraint system. A lateral restraint system is also required in situations where horizontal motion at the top of the MCC is not desirable (such as applications where top entry and/or exit of conduit are used). This system must be capable of transferring the loads created to the load-bearing path of the building structural system.

Seismic qualification of nonstructural components by Schneider Electric is just one link in the total chain of responsibility required to maximize the probability that the equipment will be intact and functional after a seismic event. During a seismic event, the equipment must be able to transfer the loads that are created through the mounting pad and anchorage to the load-bearing path of the building structural system.

The structural civil engineer or design engineer of record is responsible for detailing the equipment connection and anchorage requirements (including the lateral restraint system if appropriate) for the given installation. The installer and manufacturers of the anchorage and lateral restraint system are responsible for assuring that the mounting requirements are met. Schneider Electric is not responsible for the specification and performance of these systems.

Securing Structures to Floor—Seismic Hazard¹ Designated Locations

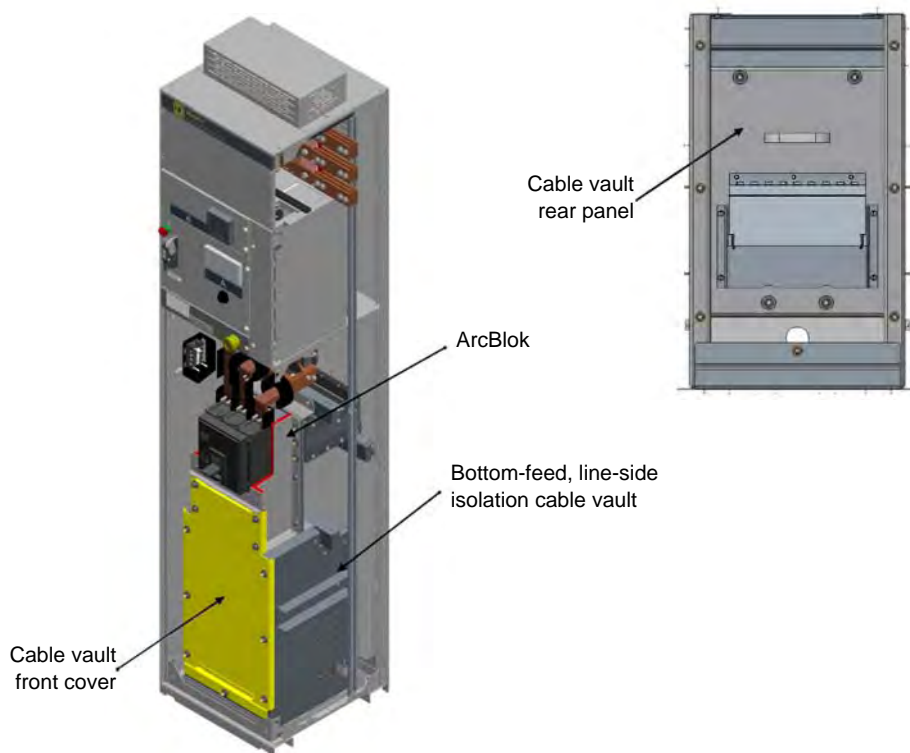
Each section must be anchored per detail supplied by engineer of record to the load-bearing path of the building structural system. For floor mounting locations, see Figure 15 on page 33 (Type 1, Type 1 Gasketed, and Type 12 enclosures) or Figure 17 on page 34 (Type 3R enclosures). Use 0.50 in. or 0.75 in. grade 5 or higher bolts and Belleville washers. Torque bolts to the value specified by the manufacturer of the anchor.

Seismic Tie-Down Access for ArcBlok with Bottom-Feed, Line-Side, Isolation Cable Vault

The front cover and rear panel assembly of each ArcBlok bottom-feed cable vault are removable to allow access to seismic tie-down points. Refer to Figure 14, and to Figure 15 on page 33.

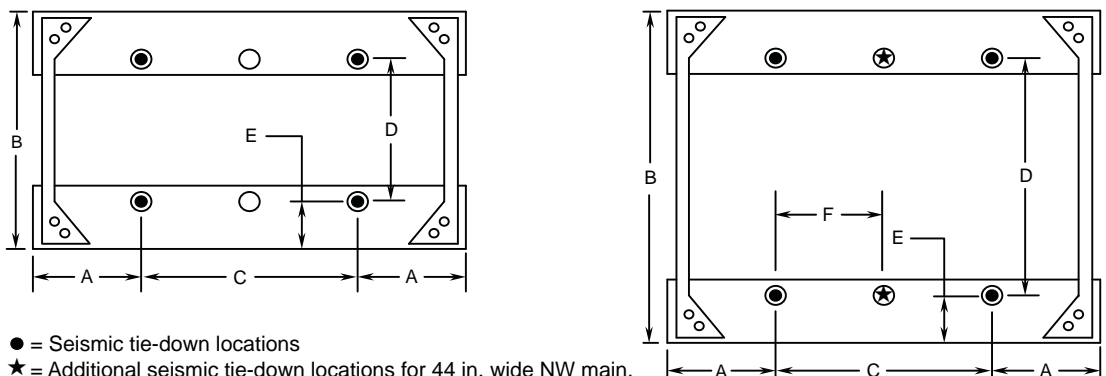
1. Remove and retain the 3/8-16 Keps nuts securing the cable vault front cover.
2. Remove the cable vault front cover.
3. Remove and retain the 3/8-16 Keps nuts securing the cable vault rear panel.
4. Remove the rear panel from the inside of the cable vault.
5. Install the seismic hardware.
6. Reinstall the rear panel and front cover using the 3/8-16 Keps nuts retained in steps 1 and 3.

Figure 14 – Front Cover and Rear Panel of Cable Vault



¹ Seismic hazard for site specific locations as defined by the current edition of the International Building Code or NFPA 5000 or relevant local building code or consulting engineer of record.

Figure 15 – Type 1, Type 1 Gasketed, and Type 12 Seismic Tie-Down Locations



15 in. (381 mm) Section Dimensions

Letter	Section Width	Dimension
A	N/A	5.00 in. (127 mm)
B	N/A	15.00 in. (381 mm)
C	20.00 in. (508 mm)	10.00 in. (254 mm)
	25.00 in. (635 mm)	15.00 in. (381 mm)
	30.00 in. (762 mm)	20.00 in. (508 mm)
	35.00 in. (889 mm)	25.00 in. (635 mm)
D	N/A	9.98 in. (253 mm)
E	N/A	2.50 in. (64 mm)

N/A = Not applicable

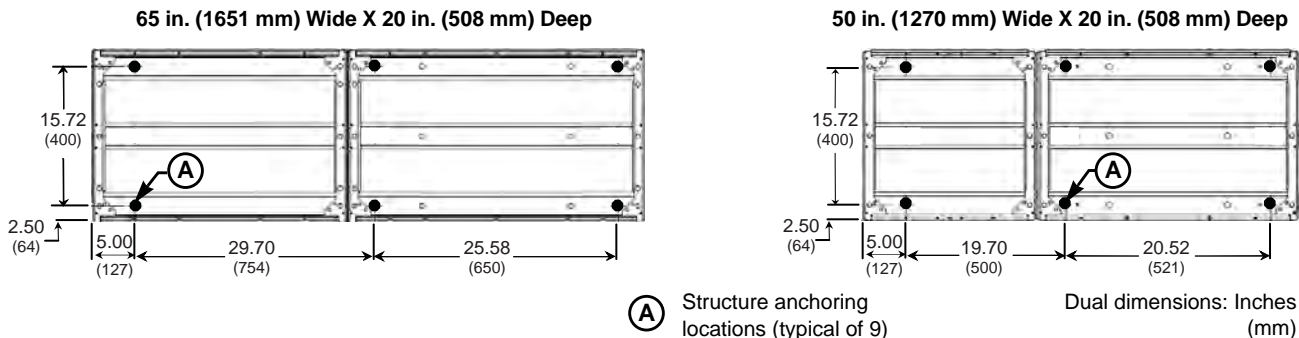
20 in. (508 mm) Section Dimensions

Letter	Section Width	Dimension
A	N/A	5.00 in. (127 mm)
B	N/A	20.00 in. (508 mm)
C	20.00 in. (508 mm)	10.00 in. (254 mm)
	25.00 in. (635 mm)	15.00 in. (381 mm)
	30.00 in. (762 mm)	20.00 in. (508 mm)
	35.00 in. (889 mm)	25.00 in. (635 mm)
	44.00 in. (1118 mm)	34.00 in. (864 mm)
D	N/A	14.98 in. (380 mm)
E	N/A	2.50 in. (64 mm)
F	44.00 in. (1118 mm)	17.00 in. (432 mm)

N/A = Not applicable

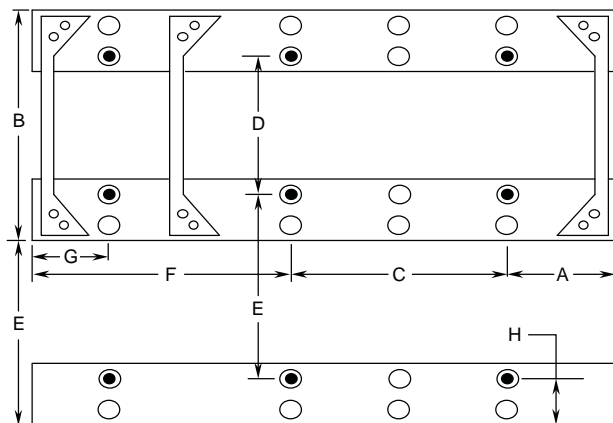
NOTE: The dimensions shown are tie-down locations within individual MCC sections. Refer to factory supplied drawings to determine appropriate anchor locations for the equipment pad.

Figure 16 – Seismic Tie-Down Locations for 18-Pulse AC Drive MCC Sections

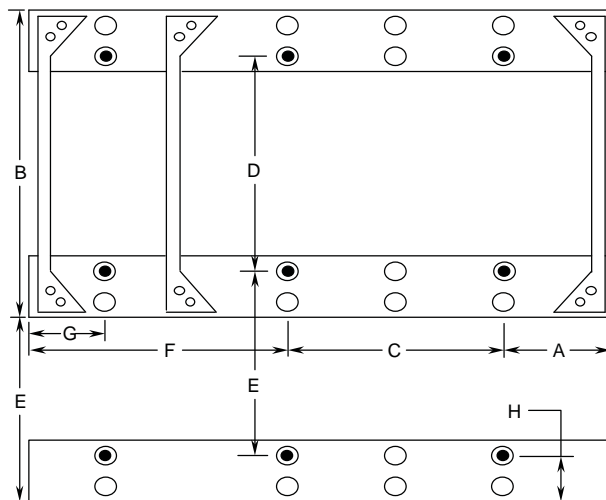


ENGLISH

Figure 17 – Type 3R Seismic Tie-Down Locations



● = Seismic Tie-Down Locations



15 in. (381 mm) Section Dimensions

Letter	Section Width	Dimension
A	N/A	5.00 in. (127 mm)
B	N/A	15.00 in. (381 mm)
C	20.00 in. (508 mm)	10.00 in. (254 mm)
	25.00 in. (635 mm)	15.00 in. (381 mm)
	30.00 in. (762 mm)	20.00 in. (508 mm)
	35.00 in. (889 mm)	25.00 in. (635 mm)
D	N/A	9.98 in. (253 mm)
E	N/A	11.60 in. (295 mm)
F	N/A	12.50 in. (318 mm)
G	N/A	5.00 in. (127 mm)
H	N/A	3.60 in. (91 mm)

N/A = Not applicable

20 in. (508 mm) Section Dimensions

Letter	Section Width	Dimension
A	N/A	5.00 in. (127 mm)
B	N/A	20.00 in. (508 mm)
C	20.00 in. (508 mm)	10.00 in. (254 mm)
	25.00 in. (635 mm)	15.00 in. (381 mm)
	30.00 in. (762 mm)	20.00 in. (508 mm)
	35.00 in. (889 mm)	25.00 in. (635 mm)
D	N/A	14.98 in. (380 mm)
E	N/A	11.60 in. (295 mm)
F	N/A	12.50 in. (318 mm)
G	N/A	5.00 in. (127 mm)
H	N/A	3.60 in. (91 mm)

N/A = Not applicable

NOTE: The dimensions shown are tie-down locations within individual MCC sections. Refer to factory supplied drawings to determine appropriate anchor locations for the equipment pad.

Securing Structures to Wall—Seismic Hazard¹ Designated Locations

When specified or required for the application (all seismic hazard areas with S_s in excess of 2.67g), each section must be laterally braced at the top (bracing supplied by others) and connected to the load-bearing path of the building system per detail supplied by engineer of record. Refer to the current International Building Code or NFPA 5000 for location specific values of S_s .

⚠ DANGER

HAZARD OF ELECTRIC SHOCK, EXPLOSION, OR ARC FLASH

- Turn off power supplying equipment before installing lateral bracing.
- Bolts must not penetrate top plate by more than 0.50 in.

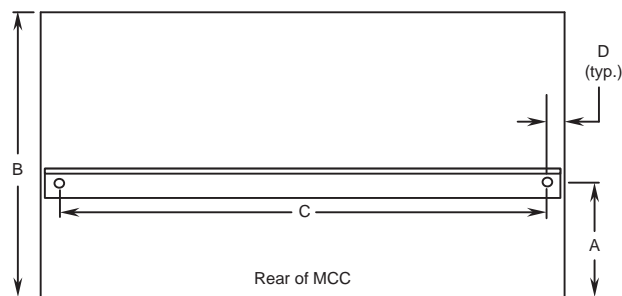
Failure to follow these instructions will result in death or serious injury.

Remove the lifting angle and fasten each section to the lateral restraint system using the same attachment points used to secure the lifting angle. Re-use bolts [3/8 (.375 in.) by 7/8 (.875 in.) long #16 thread] and lock washer (.094 in. thick) supplied with the lifting angle or hardware supplied by others as appropriate. Pay particular attention to the limitation on the depth the bolt can penetrate below the surface of the top plate. The bolts must not penetrate the top plate of the enclosure by more than 0.50 in.

NOTE: On arc-rated MCCs, do not block roof flaps with lateral restraint components.

Figure 18 – Attachment Locations for Top Lateral Bracing

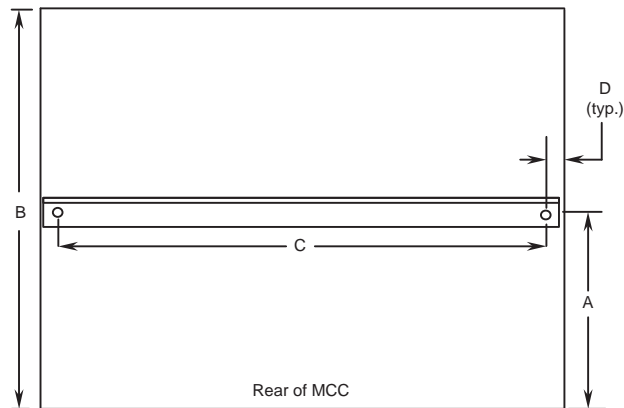
NOTE: The dimensions shown are for locating top lateral bracing locations within individual MCC sections. Refer to factory supplied drawings to determine appropriate anchor locations for the top lateral brace support system.



15 in. (381 mm) Section Dimensions

Letter	Section Width	Dimension
A	N/A	5.25 in. (133 mm)
B	N/A	15.00 in. (381 mm)
C	20.00 in. (508 mm)	18.40 in. (467 mm)
	25.00 in. (635 mm)	23.40 in. (594 mm)
	30.00 in. (762 mm)	28.40 in. (721 mm)
	35.00 in. (889 mm)	33.40 in. (848 mm)
D	N/A	0.80 in. (20 mm)

N/A = Not applicable



20 in. (508 mm) Section Dimensions

Letter	Section Width	Dimension
A (single lifting angle)	N/A	10.25 in. (260 mm)
A (two lifting angles)	N/A	1.91 in. (48 mm)
B	N/A	20.00 in. (508 mm)
C	20.00 in. (508 mm)	18.40 in. (467 mm)
	25.00 in. (635 mm)	23.40 in. (594 mm)
	30.00 in. (762 mm)	28.40 in. (721 mm)
	35.00 in. (889 mm)	33.40 in. (848 mm)
D	N/A	0.80 in. (20 mm)

N/A = Not applicable

¹ Seismic hazard for site specific locations as defined by the current edition of the International Building Code or NFPA 5000 or relevant local building code or consulting engineer of record.

Splice Gaskets for Type 1 Gasketed and Type 12 Enclosures

⚠ DANGER

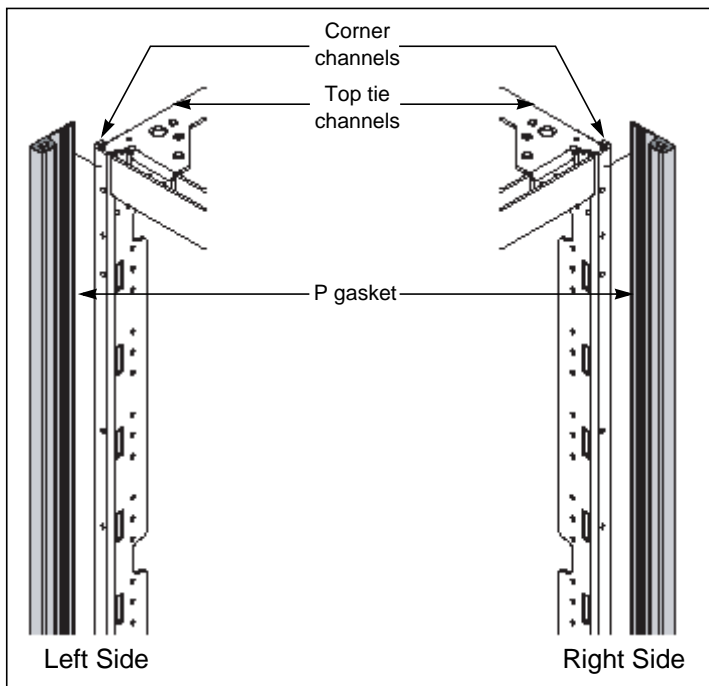
HAZARD OF ELECTRIC SHOCK, EXPLOSION, OR ARC FLASH

- Apply appropriate personal protective equipment (PPE) and follow safe electrical work practices. See NFPA 70E or CSA Z462.
- This equipment must only be installed and serviced by qualified electrical personnel.
- Turn off all power supplying the equipment before working on or inside equipment.
- Always use a properly rated voltage sensing device to confirm power is off.
- Replace all devices, doors, and covers before turning on power to this equipment.
- When moving MCC sections, follow the instructions in “Handling the MCC” on page 20. The MCC has a high center of gravity, which may cause it to tilt.

Failure to follow these instructions will result in death or serious injury.

When splicing to an existing MCC, refer to Figure 19. If P gasket is not installed, follow the instructions in “Splicing Without P Gasketing” on page 37. If P gasket is installed, follow the instructions in “Splicing With P Gasketing” on page 38.

Figure 19 – P Gasketing



Splicing Without P Gasketing

1. Turn off all power supplying this equipment before working on or inside the equipment, and follow lockout/tagout procedures. Always use a properly rated voltage sensing device to confirm the power is off.
2. If splicing to an existing MCC, remove the end plate and any gasketing from the existing MCC.
3. Remove the white paper backing from the new gaskets (supplied by Schneider Electric) to expose the adhesive. This adhesive temporarily holds the gaskets in place while the sections are being positioned.
4. Apply P gaskets to the outside of the front and rear vertical corner channels (see Figure 19 on page 36). The gaskets should not extend above the top of the corner channels.
5. Apply flat gaskets to the outside of the top and bottom tie channels. The gaskets should not extend above the top of the tie channels.
6. Applying thumb pressure, firmly press the gaskets in place from top to bottom. Verify that the gaskets are flat along the entire length.
7. Join sections together following the appropriate steps in “Joining Type 1 / Type 1 Gasketed / Type 12 Sections” on page 26.

NOTE: When new sections will be added to left side of existing line-up, follow Steps 1, 2, and 7 only.

Splicing With P Gasketing

Determine the location of the existing P gasket before splicing. If the P gasket is on the left (see Figure 19 on page 36), follow the instructions “Splice to Existing Left”. If the P gasket is on the right (see Figure 19 on page 36), follow the instructions “Splice to Existing Right”.

Splice to Existing Left

1. Turn off all power supplying this equipment before working on or inside the equipment, and follow lockout/tagout procedures. Always use a properly rated voltage sensing device to confirm the power is off.
2. Remove the end plate and all flat gaskets from the existing MCC. Leave the P gasket on the existing front corner channel in place.
3. Remove the factory installed flat gasket from the front corner channel of the new vertical section.
4. Join sections together following the appropriate steps in “Joining Type 1 / Type 1 Gasketed / Type 12 Sections” on page 26.

Splice to Existing Right

1. Turn off all power supplying this equipment before working on or inside the equipment, and follow lockout/tagout procedures. Always use a properly rated voltage sensing device to confirm the power is off.
2. Remove the end plate and all flat gaskets from the existing MCC. The P gasket on the existing front corner channel should be left in place.
3. Remove the white paper backing from the new gaskets (supplied by Schneider Electric) to expose the adhesive. This adhesive temporarily holds the gasket in place while the sections are being positioned.
4. Apply a P gasket to the outside of the rear vertical corner channel (see Figure 19 on page 36). The gasket should not extend above the top of the corner channel. Retain the extra P gasket for future use.
5. Apply flat gaskets to the outside of the top and bottom tie channels. The gaskets should not extend above the top of the tie channels.
6. Applying thumb pressure, firmly press the gasket in place from top to bottom. Ensure that the gasket is flat along the entire length.
7. Join sections together following the appropriate steps in “Joining Type 1 / Type 1 Gasketed / Type 12 Sections” on page 26.

Joining New Style Type 3R Enclosures to Old Style Type 3R Enclosures

⚠ DANGER

HAZARD OF ELECTRIC SHOCK, EXPLOSION, OR ARC FLASH

- Apply appropriate personal protective equipment (PPE) and follow safe electrical work practices. See NFPA 70E or CSA Z462.
- This equipment must only be installed and serviced by qualified electrical personnel.
- Turn off all power supplying this equipment before working on or inside equipment.
- Always use a properly rated voltage sensing device to confirm power is off.
- Replace all devices, doors, and covers before turning on power to this equipment.

Failure to follow these instructions will result in death or serious injury.

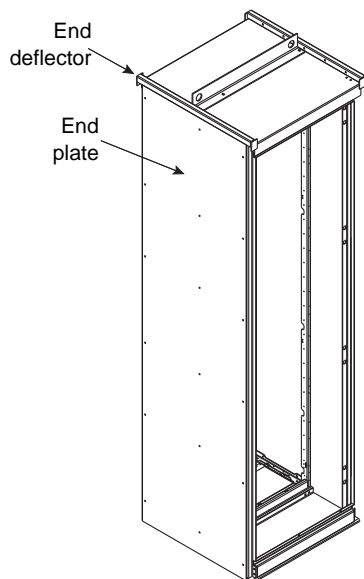
This section provides instructions for joining new style Type 3R enclosures manufactured after February 1998 to old style Type 3R enclosures manufactured before February 1998 (the new MCC enclosure is 3 in. (76 mm) shorter than the existing MCC). Instructions for joining to the left or right of an existing MCC enclosure (as viewed from the front) are provided in this bulletin.

For all MCCs in Type 3R enclosures, the parts required for joining the enclosures are included in a kit. This kit is shipped with the MCC order and contains all the parts necessary to join the enclosures.

NOTE: All Type 3R sections manufactured after February 1998 measure approximately 93 in. (2362 mm) from the bottom of the section to the top of the deflector.

Joining to the Left Side of an Existing Type 3R MCC Enclosure.

Figure 20 – Removing the End Deflector

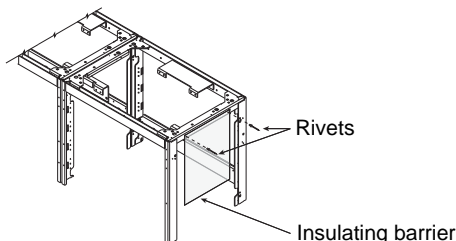


1. Turn off all power supplying this equipment before working on or inside the equipment, and follow lockout/tagout procedures. Always use a properly rated voltage sensing device to confirm the power is off.
2. Remove the end deflector (see Figure 20) from the leftmost section of the existing MCC and the end deflector, if supplied, from the rightmost section of the MCC being added. Discard both end deflectors. Retain the hardware for installation of new parts.
3. Remove the back plate from the leftmost section of the existing MCC and also from the rightmost section of the MCC being added. Retain the back plates and mounting hardware for re-installation.
4. Remove the end plate (see Figure 20) from the leftmost section of the existing MCC and the end plate, if supplied, from the rightmost section of the MCC being added. Discard both end plates. Retain the hardware for installation of new parts.

- Remove the insulating barrier (see Figure 21) from the leftmost section of the existing MCC by punching out the rivets that are holding the barrier in place. Repeat this procedure for the barrier, if supplied, in the rightmost section of the MCC being added. Discard both barriers.

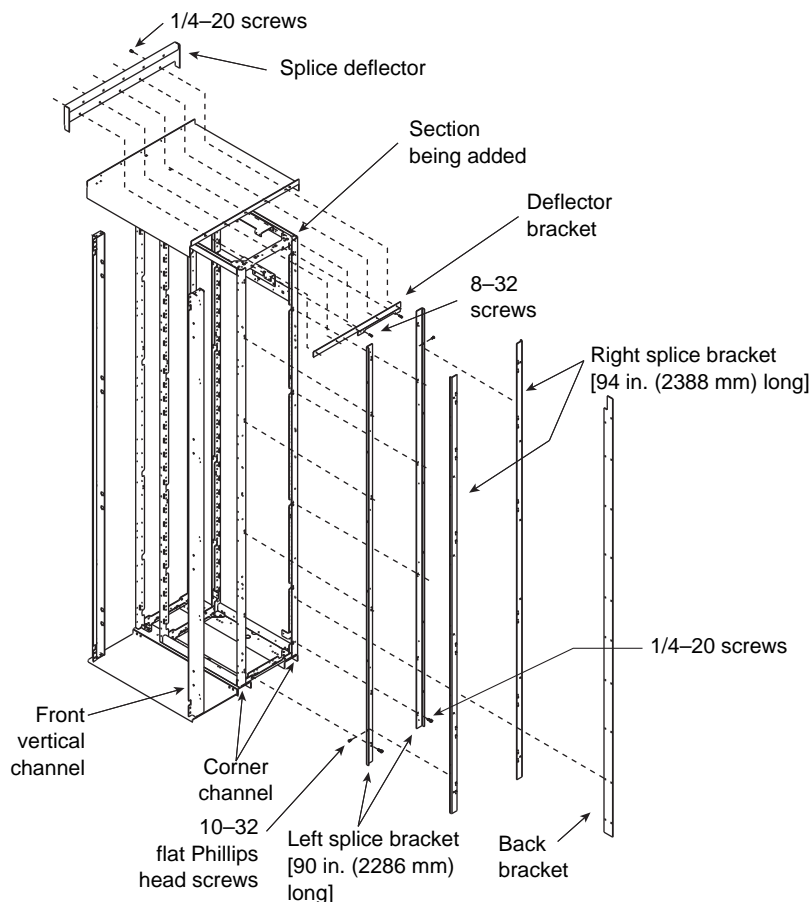
NOTE: Ensure that rivet parts do not fall into the MCC.

Figure 21 – Removing the Insulating Barrier



- Install the deflector bracket (see Figure 22) on the rightmost section of the MCC being added using two 8-32 Phillips head screws included in the kit. The same holes from which the rivets were removed will be used to mount the deflector bracket. Ensure that the top holes of the bracket align with the holes in the top plate of the enclosure.

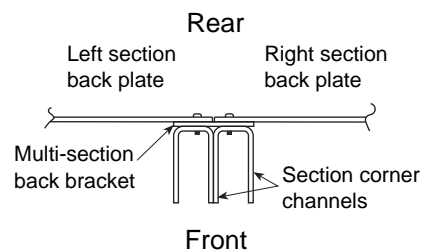
Figure 22 – Installing the Deflector Bracket



7. Attach a left splice bracket (see Figure 22), 90 in. (2286 mm) long, to the front corner channel of the rightmost section of the MCC being added using six 1/4–20 screws contained in the kit. Ensure that the short flange is flush with the front of the corner channel and that the holes in the bracket line up with the holes in the corner channel.
8. Install a left splice bracket (see Figure 22 on page 40), 90 in. (2286 mm) long, to the rear corner channel of the rightmost section of the MCC being added using six 1/4–20 screws contained in the kit. Ensure that the short flange is flush with the back of the corner channel and that the holes in the bracket line up with the holes in the corner channel.
9. Attach a right splice bracket (see Figure 22), 94 in. (2388 mm) long, to the left splice bracket installed in Step 7 using six 10–32 flat Phillips head screws contained in the kit. Ensure that the short flange is behind the flange of the left splice bracket. The right splice bracket will extend below the left splice bracket by approximately 1 in. (25 mm) when properly installed.
10. Install a right splice bracket (see Figure 22), 94 in. (2388 mm) long, to the left splice bracket installed in Step 8 using six 10–32 flat Phillips head screws contained in the kit. Ensure that the short flange is in front of the flange of the left splice bracket. The right splice bracket will extend below the left splice bracket by approximately 1 in. (25 mm) when properly installed.
11. Position the structures that are to be spliced. Check that the fronts are flush to ensure proper alignment of all components.
12. Splice sections using the instructions in the Model 5 Instruction Bulletin (8998IM9101R5/92) if joining to a Model 5 MCC, or the instructions on 36 of this instruction bulletin if joining to a Model 6 MCC.

NOTE: When splicing the horizontal bus between the new and existing MCC sections, remove the splice bars contained in the leftmost section of the existing MCC. Discard the splice bars. Install the horizontal bus splice assembly provided in this kit using the instructions beginning on 46 of this bulletin. Use the remaining six 1/4–20 hex head screws provided in the kit to splice the corner channels of the existing MCC to the right splice brackets installed in Steps 9 and 10.

Figure 23 – Re-attaching the Back Plates



13. Using the 10–32 hex head screws removed in Step 3, re-attach the back plate (see Figure 23) to the rightmost section of the new MCC. Install the back bracket (see Figure 22 on page 40) under the back plate using the left side holes of the back bracket. Ensure that the notch at the top of the back bracket is installed toward the new MCC section.
14. Using the 10–32 screws removed in Step 3, re-attach the back plate (see Figure 23) to the right section.

15. Install the splice deflector (see Figure 22 on page 40) to the rightmost section of the MCC being added. Use the five 1/4–20 screws supplied in the kit. Ensure that both top plate flanges are covered.
16. Install five of the 1/4–20 screws removed in Step 2 through the splice deflector and into the top plate of the leftmost section of the existing MCC.
17. Using the six 10–32 screws supplied in the kit, secure the right front vertical channel of the new Type 3R enclosure to the left front vertical channel of the existing Type 3R enclosure.

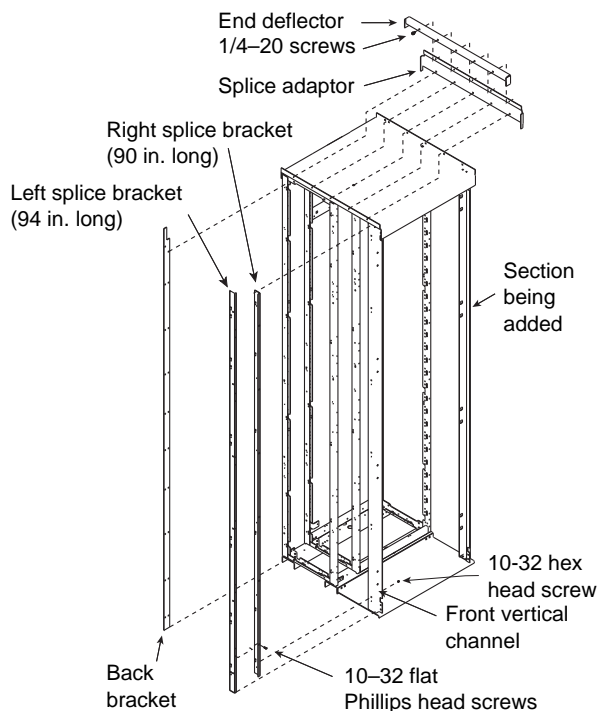
NOTE: Install the screws through the clearance holes in the left front vertical channel of the existing MCC into the right front vertical channel of the new MCC.

18. Before energizing the equipment, replace all covers and barriers.

Joining to the Right Side of an Existing Type 3R MCC Enclosure

1. Turn off all power supplying this equipment before working on or inside the equipment, and follow lockout/tagout procedures. Always use a properly rated voltage sensing device to confirm the power is off.
2. Remove the end deflector (see Figure 20 on page 39) from the rightmost section of the existing MCC and the end deflector, if supplied, from the leftmost section of the MCC being added. Retain hardware for use in Step 12. Discard both end deflectors.

Figure 24 – Installing the Splice Deflector



3. Remove the back plate from the rightmost section of the existing MCC and also from the leftmost section of the MCC being added. Retain the back plates and mounting hardware for re-installation.
4. Remove the end plate (see Figure 20 on page 39) from the rightmost section of the existing MCC and the end plate, if supplied, from the leftmost section of the MCC being added. Discard both end plates.

5. Remove the insulating barrier (see Figure 21 on page 40) from the rightmost section of the existing MCC by punching out the rivets that are holding the barrier in place. Repeat this procedure for the barrier, if provided, located in the leftmost section of the MCC being added. Discard both barriers.

NOTE: Ensure that rivet parts do not fall into the MCC.

6. Install the left splice bracket (see Figure 24), 94 in. (2388 mm) long, to the right front vertical channel of the existing MCC. Use six 10–32 hex head screws provided in the kit. The long flange of the splice channel will mount to the side of the vertical channel with the short flange near the front of the vertical channel. When properly installed, the bottom of the left splice bracket will be flush with the bottom of the vertical channel.
7. Install the right splice bracket (see Figure 24), 90 in. (2286 mm) long, to the left splice bracket installed in Step 6 using six 10–32 flat Phillips head screws provided in the kit. Ensure that the short flange of the right splice bracket is in front of the flange of the left splice bracket. When properly installed, the left splice bracket will extend approximately 1 in. (25 mm) below the right splice bracket.
8. Position the structures that are to be spliced together. Make sure that the fronts are flush. This ensures proper alignment of all components.
9. Splice sections using the instructions in the Model 5 Instruction Bulletin (8998IM9101) if joining to a Model 5 MCC, or the instructions on 36 of this instruction bulletin if joining to a Model 6 MCC. Use the 12 1/4–20 hex head screws provided in the kit to splice the corner channels of the existing MCC to the corner channels of the new MCC.
10. Re-attach the back plate (see Figure 23 on page 41) to the leftmost section of the MCC being added by using the 10–32 hex head screws removed in Step 4. Install the back bracket (see Figure 24) under the back plate using the right side holes of the back bracket. Ensure that the notch at the top of the back bracket is installed toward the new MCC section.
11. Using the hardware removed in Step 3, re-attach the back plate (see Figure 23 on page 41) to the rightmost section of the existing MCC.
12. Install the splice adaptor (see Figure 24) to the leftmost section of the MCC being added by using five 1/4–20 screws provided in the kit.
13. Next, position the end deflector, provided in the kit, over the top plate flanges of both sections (see Figure 24) and install with five 1/4–20 screws removed in Step 2.
14. Using six 10–32 hex head screws, provided in the kit, secure the right front vertical channel of the MCC being added to the right splice bracket installed in Step 7 (see Figure 24).
15. Before energizing the equipment, replace all covers and barriers.

Joining Type 3R Sections

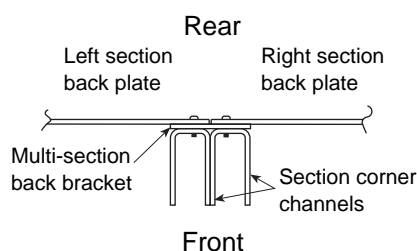
This section provides instructions for joining Type 3R MCC sections (manufactured after February 1998).

NOTE: All Type 3R sections manufactured after February 1998 are approximately 93 in. (2362 mm) from the bottom of the section to the top of the deflector.

1. Turn off all power supplying this equipment before working on or inside the equipment, and follow lockout/tagout procedures. Always use a properly rated voltage sensing device to confirm the power is off.
2. Remove the right section back plate (see Figure 25).

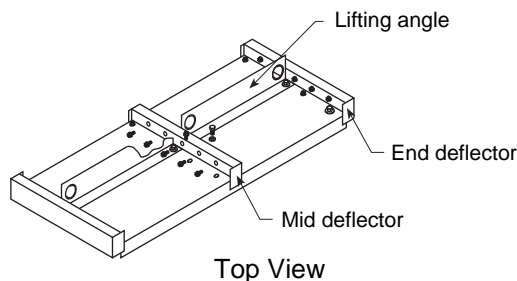
NOTE: Steps 3 and 4 apply only if a new section is being added to an existing MCC line-up. If installing a new line-up, skip to Step 5.

Figure 25 – Attach the Multi-Section Bracket



3. Remove the end deflector cap from the right side of the existing Type 3R section (see Figure 26). Also, remove the mid deflector cap from the section being added to the right.

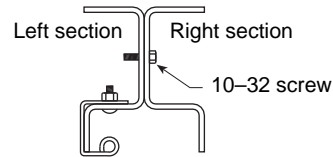
Figure 26 – Remove Mid and End Deflector Caps from the Top of the MCC



4. Remove the end closing plate from the right side of the existing section.
5. After placing the structures side-by-side, join them as described in “Joining Type 1 / Type 1 Gasketed / Type 12 Sections” on page 26.
6. Re-attach the back plate (removed in Step 2) to the right section using the additional hardware supplied. Attach the right side to the multi-section bracket (see Figure 25).
7. Install the mid deflector, ensuring both top plate flanges are covered (see Figure 26).

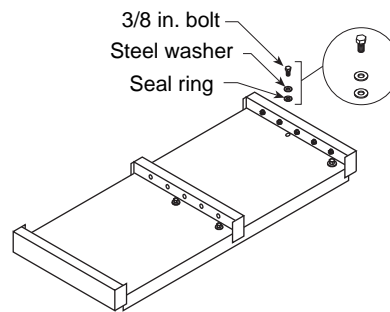
- Using the six 10-32 screws supplied, secure the left front vertical channel of the Type 3R extension to the right front vertical channel of the Type 3R extension (see Figure 27).

Figure 27 – Secure the Vertical Channels



- If the lifting angle is to be removed from the sections after installation, replace all hardware in the order shown (see Figure 28).

Figure 28 – Replace Lifting Angle Hardware



Splicing Power Bus for Type 1 and Type 12 Enclosures

⚠ DANGER

HAZARD OF ELECTRIC SHOCK, EXPLOSION, OR ARC FLASH

- Apply appropriate personal protective equipment (PPE) and follow safe electrical work practices. See NFPA 70E or CSA Z462.
- This equipment must only be installed and serviced by qualified electrical personnel.
- Turn off all power supplying this equipment before working on or inside equipment.
- Always use a properly rated voltage sensing device to confirm power is off.
- Replace all devices, doors, and covers before turning on power to this equipment.

Failure to follow these instructions will result in death or serious injury.

To splice the power bus, follow these steps:

1. Turn off all power supplying this equipment before working on or inside the equipment, and follow lockout/tagout procedures. Always use a properly rated voltage sensing device to confirm the power is off.
2. Remove the horizontal wireway covers and slide the horizontal bus barriers to gain access to the captive splice connectors (see Figure 29). See Appendix A—Removal and Installation of Horizontal Bus Barrier Panels for the steps for removing horizontal bus barriers.

Figure 29 – Horizontal Wireway Covers and Bus Barriers Removed



Power Bus Splicing MCCs with Single Bar/Phase Splice Kit (600 A and 800 A, Copper Horizontal Bus, 65,000 A Short Circuit or Less, Shipped after August 2012)

NOTE: The integral splice kit used on shipments September 2012 and later, containing 600/800 A, copper, horizontal bus with a short circuit withstand current rating $\leq 65,000$ A RMS consists of a single bar per phase and does not use a fork type bus (see Figure 30). DO NOT use the single bar per phase splice on the fork end of the fork type bus (see Figure 31 for incorrect application). Two splice bars must be used on the fork end of the fork type bus (see instructions beginning on page 49). Contact your local Schneider Electric representative if the necessary two-bar splice is not provided with your equipment.

Figure 30 – Correct Application of Splice (shown installed) for 600/800 A, Non-Fork Bus



Figure 31 – Incorrect Application of Single-Bar Splice on Fork-Type Bus



1. Remove all four bolts from the integral splice bar (see Figure 32).

Figure 32 – Remove Bolts from Single-Splice Bar



2. Move the single splice bar to the left and align the two left holes in the splice bar with the corresponding holes in the horizontal bus on the left section (see Figure 33).

Figure 33 – Move and Align the Splice Bar to the Bus Holes

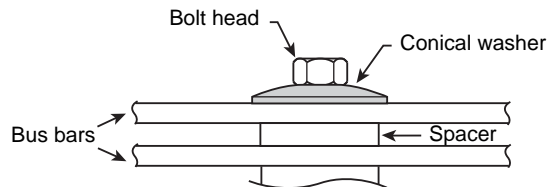


3. Reinstall the four bolts into the horizontal bus on the left and right sections (see Figure 34). Make sure the original conical washers are reinstalled with the concave side facing the horizontal bus (see Figure 35).

Figure 34 – Insert Splice Bolts in the Left and Right Sections



Figure 35 – Place a Conical Washer Under the Bolt Head



4. Torque all bolts on both ends to 31–32 lb-ft (41.87–43.22 N•m). (See Figure 36.)

Figure 36 – Torquing the Bolts



5. Return to Step 2 on page 46 for all phases and for the neutral bus (if supplied). When all splices are complete, go to Step 6.
6. Before energizing the equipment, slide the horizontal bus barriers into the closed position and replace all covers.

Power Bus Splicing MCCs with Multiple Bar/Phase Splice Kit

NOTE: On the integral splice bar assembly, located on the left side of each phase bus, the number of splice bars used on each phase is one greater than the number of main horizontal bus bars. The rear-most splice bar includes captive nuts.

1. Remove the two left bolts. Loosen, but do not remove, the two right bolts on the splice assembly (see Figure 37).

NOTE: Do not remove the two right bolts from the splice assemblies. Doing so will permit spacers to fall from the splice assembly. If this occurs, re-assemble the splice bars and spacers (if applicable) in the proper order before continuing.

Figure 37 – Remove the Left Bolts and Loosen the Right Bolts on the Splice Assembly



2. Slide the splice assembly to the left until the two left holes are in line with the corresponding holes in the horizontal bus on the left section (see Figure 38).

Figure 38 – Align the Splice and Bus Holes

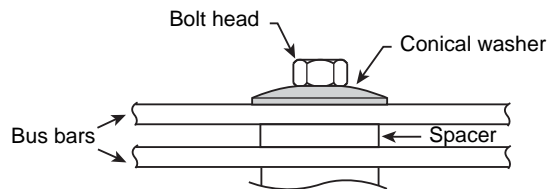


- Reinstall the two left bolts through the splice bars and into the horizontal bus (see Figure 39); make sure the original conical washers are reinstalled with the concave side facing the splice bus (see Figure 40).

Figure 39 – Insert the Splice Bolts



Figure 40 – Place a Conical Washer Under the Bolt Head



- Torque all bolts on both ends to 31–32 lb-ft (41.87–43.22 N•m) (see Figure 41).

Figure 41 – Torque the Bolts



- Return to Step 2 on page 46 for all phases and for the neutral bus (if supplied). When all splices are complete, go to Step 6.
- Before energizing the equipment, slide the horizontal bus barriers into the closed position and replace all covers.

Splicing Power Bus in Type 3R Enclosures

⚠ DANGER

HAZARD OF ELECTRIC SHOCK, EXPLOSION, OR ARC FLASH

- Apply appropriate personal protective equipment (PPE) and follow safe electrical work practices. See NFPA 70E or CSA Z462.
- This equipment must only be installed and serviced by qualified electrical personnel.
- Turn off all power supplying this equipment before working on or inside equipment.
- Always use a properly rated voltage sensing device to confirm power is off.
- Replace all devices, doors, and covers before turning on power to this equipment.

Failure to follow these instructions will result in death or serious injury.

This section describes how to splice the power bus of a Type 3R enclosure (manufactured after February 1998) to the power bus of another Type 3R section. Bus splicing material is not captive if the section is equipped with offset bus. Refer to “Splice Offset Horizontal Bus” on page 59 for instructions for splicing offset power bus in Type 3R enclosures.

To splice power bus, follow these steps.

1. Turn off all power supplying this equipment before working on or inside the equipment, and follow lockout/tagout procedures. Always use a properly rated voltage sensing device to confirm the power is off.
2. Remove the horizontal wireway covers and slide the horizontal bus barriers to gain access to the captive splice connectors (see Figure 42). See Appendix A—Removal and Installation of Horizontal Bus Barrier Panels for the steps for removing horizontal bus barriers.

NOTE: On the integral splice bar assembly, located on the left side of each phase bus, the number of splice bars used on each phase is one greater than the number of main horizontal bus bars. The rear-most splice bar includes captive nuts.

Figure 42 – Wireway Covers Removed and Horizontal Bus Barriers Open



3. Remove the two left bolts from each splice assembly. Then loosen, but do not remove, the two right bolts of each splice assembly (see Figure 43). If the bus has optional 85,000 A bus bracing supplied (see Figure 44), also loosen the center nut of each splice assembly.

NOTE: Do not remove the two right bolts or the center bolt (if applicable) from the splice assemblies. Doing so will permit spacers to fall from the splice assembly. If this occurs, re-assemble the splice bars and spacers (if applicable) in the proper order before continuing.

Figure 43 – Loosen Bolts



Figure 44 – 85,000 A Bracing Option



4. Slide the splice assembly to the left until the two left holes are in line with the corresponding holes in the horizontal bus in the left section (see Figure 45).

Figure 45 – Slide the Splice Assembly to the Left

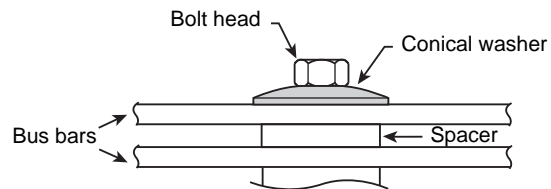


5. Re-install the two left bolts through the splice assembly and into the horizontal bus (see Figure 46). Make sure the original conical washers are re-installed with the concave side facing the splice bus (see Figure 47).

Figure 46 – Insert the Splice Bolts



Figure 47 – Place a Conical Washer Under the Bolt Head



6. Torque the bolts to 31–32 lb-ft (41.87–43.22 N•m). See Figure 48.

Figure 48 – Torque All Bolts



7. Repeat Steps 2–6 for all phases and the neutral bus (if supplied).
8. Before energizing the equipment, replace all covers and barriers.

Ground Bus Splicing for Type 1, Type 12, and Type 3R

⚠ DANGER

HAZARD OF ELECTRIC SHOCK, EXPLOSION, OR ARC FLASH

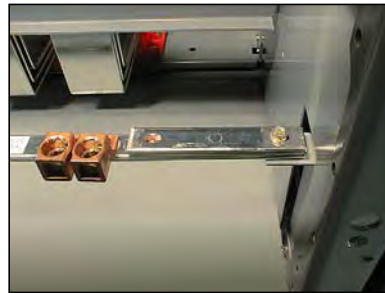
- Apply appropriate personal protective equipment (PPE) and follow safe electrical work practices. See NFPA 70E or CSA Z462.
- This equipment must only be installed and serviced by qualified electrical personnel.
- Turn off all power supplying this equipment before working on or inside equipment.
- Always use a properly rated voltage sensing device to confirm power is off.
- Replace all devices, doors, and covers before turning on power to this equipment.

Failure to follow these instructions will result in death or serious injury.

To splice the ground bus, follow these steps:

1. Turn off all power supplying this equipment before working on or inside the equipment, and follow lockout/tagout procedures. Always use a properly rated voltage sensing device to confirm the power is off.
2. Remove ground bar bolts from the right and left sections (see Figure 49).

Figure 49 – Ground Splice Bar as Shipped



3. Slide the ground splice bar into the right section, aligning the mounting holes (see Figure 50).

Figure 50 – Ground Bar Bolt Replaced



4. Replace the ground bar bolts (see Figure 50) in the right and left sections. Torque both bolts to 60–75 lb-in (6.75–8.44 N•m).
5. Replace all covers and barriers, and close all doors.

Ground Bus Splicing for Bottom-Feed ArcBlok Main Sections

⚠ DANGER

HAZARD OF ELECTRIC SHOCK, EXPLOSION, OR ARC FLASH

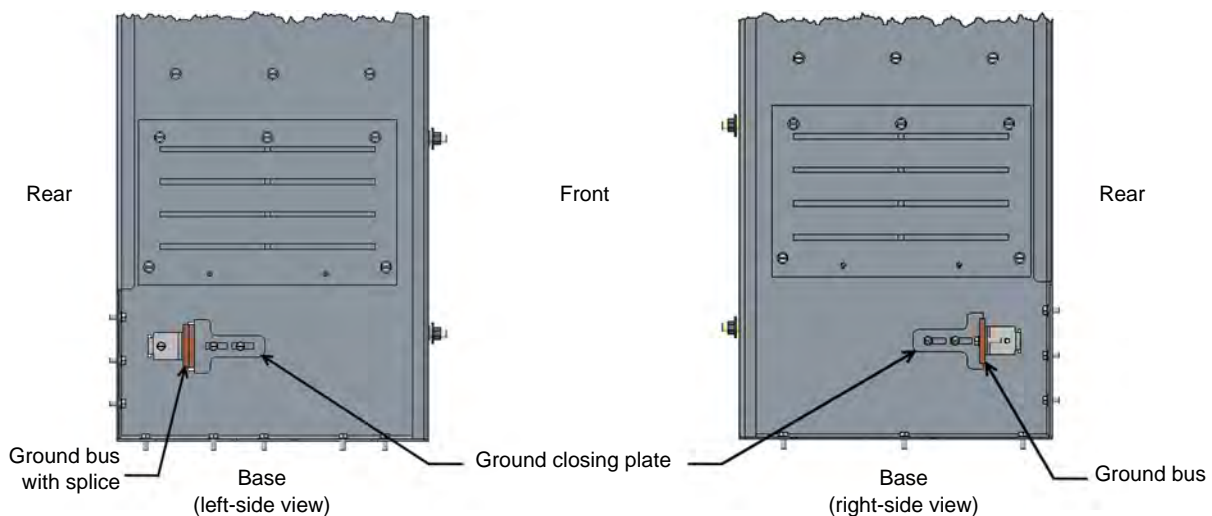
- Apply appropriate personal protective equipment (PPE) and follow safe electrical work practices. See NFPA 70E, NOM-029-STPS-2011, or CSA Z462.
- This equipment must only be installed and serviced by qualified electrical personnel.
- Turn off all power supplying this equipment before working on or inside equipment, and follow your organization's lockout/tagout procedures.
- Always use a properly rated voltage sensing device to confirm power is off.
- Replace all devices, doors, and covers before turning on power to this equipment.

Failure to follow these instructions will result in death or serious injury.

To splice the ground bus, follow these steps:

1. Remove the cable vault front cover to access the ground bus assembly.
2. Slide the ground splice bar into the right section, aligning the mounting holes.
3. Replace the ground bar bolts (see Figure 50 on page 54) in the right and left sections.
4. Torque the ground bar bolts to 60–75 lb-in (6.75–8.44 N•m).
5. Place the ground closing plates into position to seal the cable vault (see Figure 51).
 - a. Slide the left ground closing plate against the splice bus bar.
 - b. Slide the right ground closing plate to completely close the splice opening on the cable vault panel.
6. Replace all covers and barriers, and close all doors.

Figure 51 – Location of Ground Closing Plates



Power Bus Splicing of 2500 A Bus with 100,000 A Short Circuit Rating

This section provides instructions for splicing the power bus of one section with 2500 A bus braced for 100,000 A to the power bus of another section of the same type. Splicing material is captive on the integral splice assembly unless the section is equipped with offset bus.

⚠ DANGER

HAZARD OF ELECTRIC SHOCK, EXPLOSION, OR ARC FLASH

- Apply appropriate personal protective equipment (PPE) and follow safe electrical work practices. See NFPA 70E or CSA Z462.
- This equipment must only be installed and serviced by qualified electrical personnel.
- Turn off all power supplying this equipment before working on or inside equipment.
- Always use a properly rated voltage sensing device to confirm power is off.
- Replace all devices, doors, and covers before turning on power to this equipment.

Failure to follow these instructions will result in death or serious injury.

To splice the power bus, follow these steps:

1. Turn off all power supplying this equipment before working on or inside the equipment, and follow lockout/tagout procedures. Always use a properly rated voltage sensing device to confirm the power is off.
2. Remove the horizontal wireway covers and slide the horizontal bus barriers to gain access to the captive splice connectors (see Figure 52). See Appendix A for the steps for removing horizontal bus barriers.

NOTE: On the integral splice bar assembly, located on the left side of each phase bus, the number of splice bars used on each phase is one greater than the number of main horizontal bus bars. The rear-most splice bar includes captive nuts.

Figure 52 – Wireway Covers Removed and Horizontal Bus Barriers Open



3. Remove all four bolts from each splice assembly (see Figure 53).

Figure 53 – Remove the Bolts from the Splice Assembly



4. Slide the splice assembly to the left until the two left holes are in line with the corresponding holes in the horizontal bus on the left section (see Figure 54).

Figure 54 – Align the Splice and Bus Holes

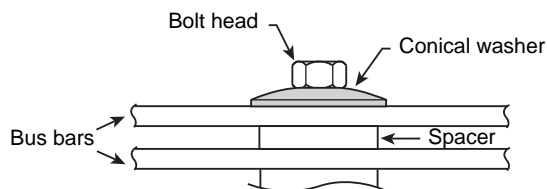


5. Reinstall all four bolts through the splice assembly and into the horizontal bus (see Figure 55); make sure the original conical washers are reinstalled with the concave side facing the splice bus (see Figure 56).

Figure 55 – Insert the Splice Bolts

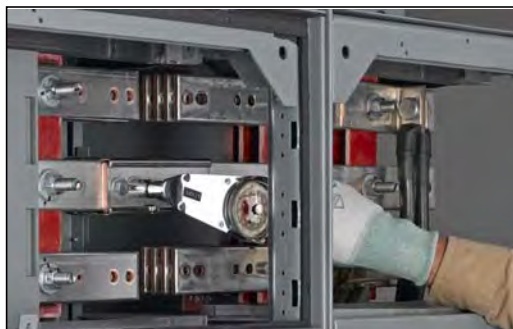


Figure 56 – Place a Conical Washer Under the Bolt Head



6. Torque all bolts on both ends to 31–32 lb-ft (41.87–43.22 N•m). See Figure 57.

Figure 57 – Torque All Bolts



- 7. Repeat Steps 2–6 for all phases and the neutral bus (if supplied).
- 8. Before energizing the equipment, replace all covers and barriers.

Splicing Offset or 3000/3200 A Horizontal Bus (Left Side of Structure Only)

⚠ DANGER

HAZARD OF ELECTRIC SHOCK, EXPLOSION, OR ARC FLASH

- Apply appropriate personal protective equipment (PPE) and follow safe electrical work practices. See NFPA 70E or CSA Z462.
- This equipment must only be installed and serviced by qualified electrical personnel.
- Turn off all power supplying this equipment before working on or inside equipment.
- Always use a properly rated voltage sensing device to confirm power is off.
- Replace all devices, doors, and covers before turning on power to this equipment.

Failure to follow these instructions will result in death or serious injury.

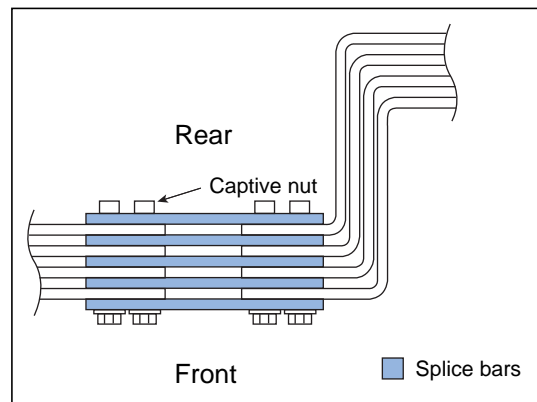
- NOTES:**
- In all structures with an offset or 3000/3200 A horizontal bus, splice bars are provided as a kit. This kit is packaged in a carton and shipped inside the structure. The kit contains all splice bars and mounting hardware necessary for horizontal bus splicing.
 - Use the splice kit only if splicing is to be done on the left (while facing the structure). If the splice is not on the left, remove the kit before energizing and retain it for future expansion. If a structure is to be spliced to another structure on the right, follow splicing instructions provided for that structure application.

- On the integral splice bar assembly, located on the left side of each phase bus, the number of splice bars used on each phase is one greater than the number of main horizontal bus bars. The rear-most splice bar includes captive nuts.

To splice a horizontal bus on the left side of the structure, follow these steps:

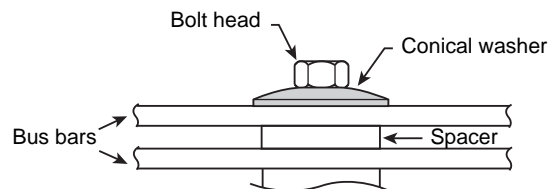
1. Turn off all power supplying this equipment before working on or inside the equipment, and follow lockout/tagout procedures. Always use a properly rated voltage sensing device to confirm the power is off.
2. Join sections together following the appropriate steps beginning at “Locating the MCC” on page 24 and continuing through page 44. This provides proper alignment of the horizontal bus.
3. Position the rear splice bar (the bar with captive nuts; see Figure 58) against the back face of the rear horizontal bus bar.

Figure 58 – Splice Offset Horizontal Bus



4. Install a plain splice bar between each lamination of horizontal bus; install the last bar against the front face of the horizontal bus (see Figure 58).
5. Align the four mounting holes in the splice bus and the horizontal bus.
6. Re-install the two left bolts through the splice assembly and into the horizontal bus. Make sure the original conical washers are re-installed with the concave side facing the splice bus (see Figure 59).

Figure 59 – Place a Conical Washer Under the Bolt Head



7. For 600–2500 A main bus splices, torque the bolts to 31-32 lb-ft (41.87-43.22 N•m). For 3000/3200 A main bus splices, torque the bolts to 70 lb-ft (94.92 N•m). Torque the center nut on 85 kA braced, 3R splice bar assemblies (see “Splicing Power Bus in Type 3R Enclosures” on page 51) to 70 lb-ft (94.92 N•m).
8. Repeat Steps 2–6 for each of the three horizontal bus phases.
9. Before energizing the equipment, replace all covers and barriers.

Conductor Entry

⚠ DANGER

HAZARD OF ELECTRIC SHOCK, EXPLOSION, OR ARC FLASH

- Apply appropriate personal protective equipment (PPE) and follow safe electrical work practices. See NFPA 70E or CSA Z462.
- This equipment must only be installed and serviced by qualified electrical personnel.
- Turn off all power supplying this equipment before working on or inside equipment.
- Always use a properly rated voltage sensing device to confirm power is off.
- Replace all devices, doors, and covers before turning on power to this equipment.

Failure to follow these instructions will result in death or serious injury.

Conduit entry space is provided at the top and bottom of the MCC structure. The top plates (and closing plates in bottom, if present) are removable for convenience in wiring and cutting conduit openings). A hinged door or cover allows access to the main lug, main circuit breaker, or main switch compartment. In some cases, the horizontal wire trough cover must be removed.

Pull boxes are available if additional wiring space is required.

Cable connection torque values are listed in Table 4 and Table 5 on page 78.

Conductor Entry for Line-Side Isolation Cable Vaults with ArcBlok

Conduit entry into main breaker sections equipped with ArcBlok and line-side Isolation cable vaults will require:

- Use of an 18 in. pull box for top-feed entry with a removable top plate.
- Line-side isolation cable vaults will require removal of enclosure covers and barriers prior to removing the cable vault front cover and ArcBlok lug cover.

Figure 60 – Line-Side Isolation Cable Vault and ArcBlok Top-Feed Main Breaker Access

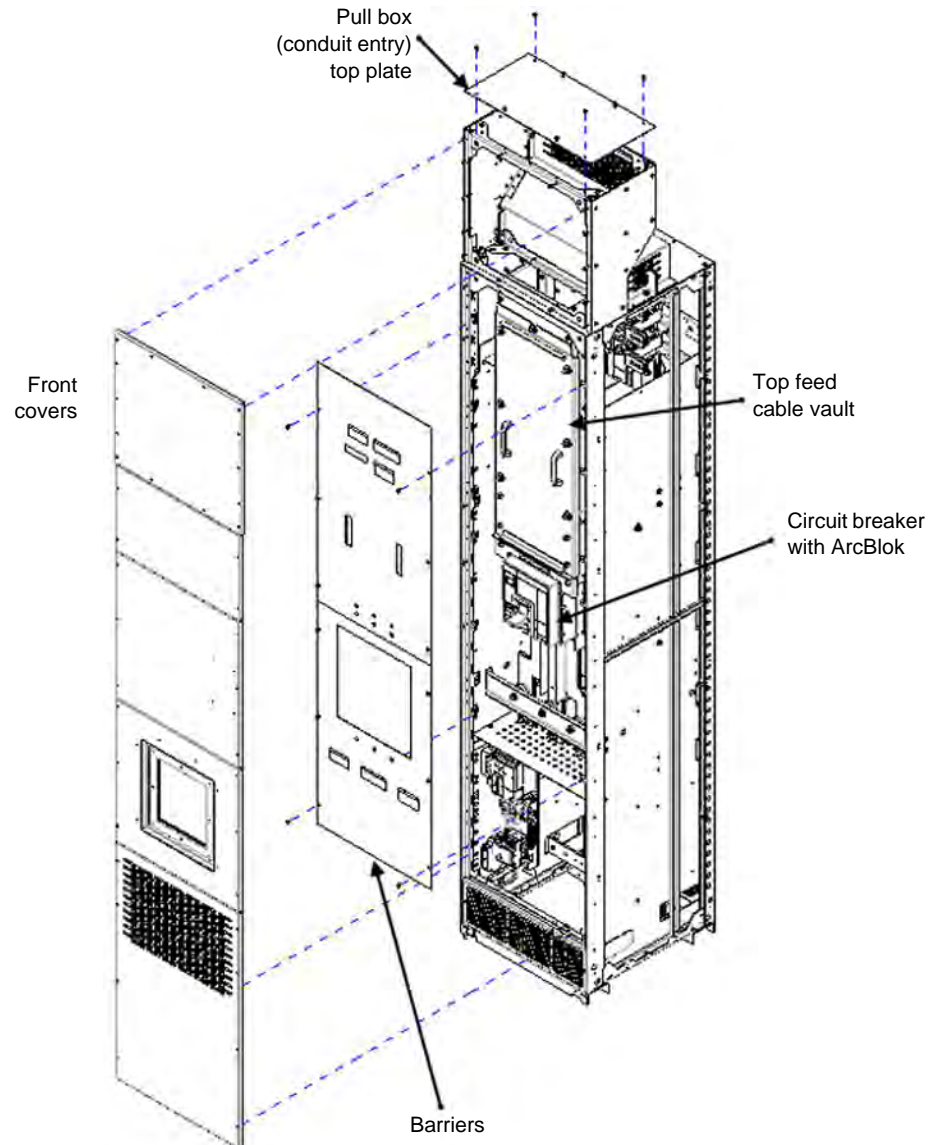


Figure 61 – Line-Side Isolation Cable Vault and ArcBlok Top-Feed Main Lug Breaker Access

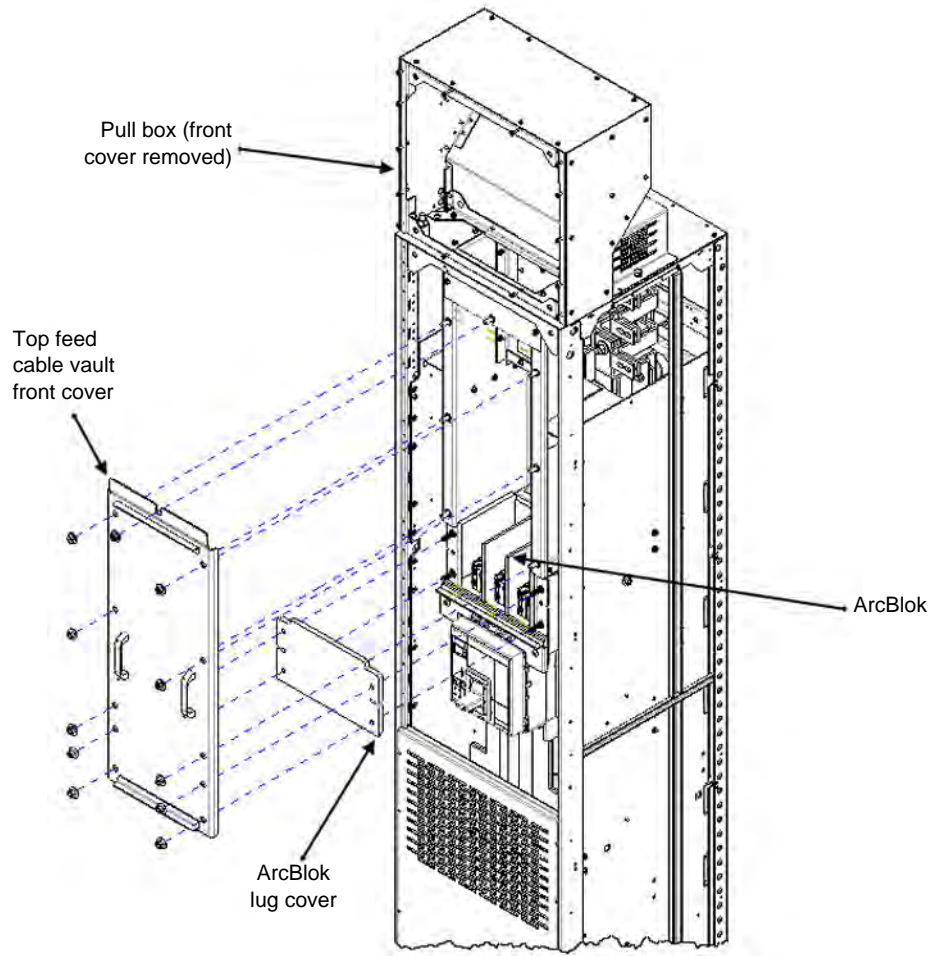


Figure 62 – Line-Side Isolation Cable Vault and ArcBlok Bottom-Feed Main Breaker Access

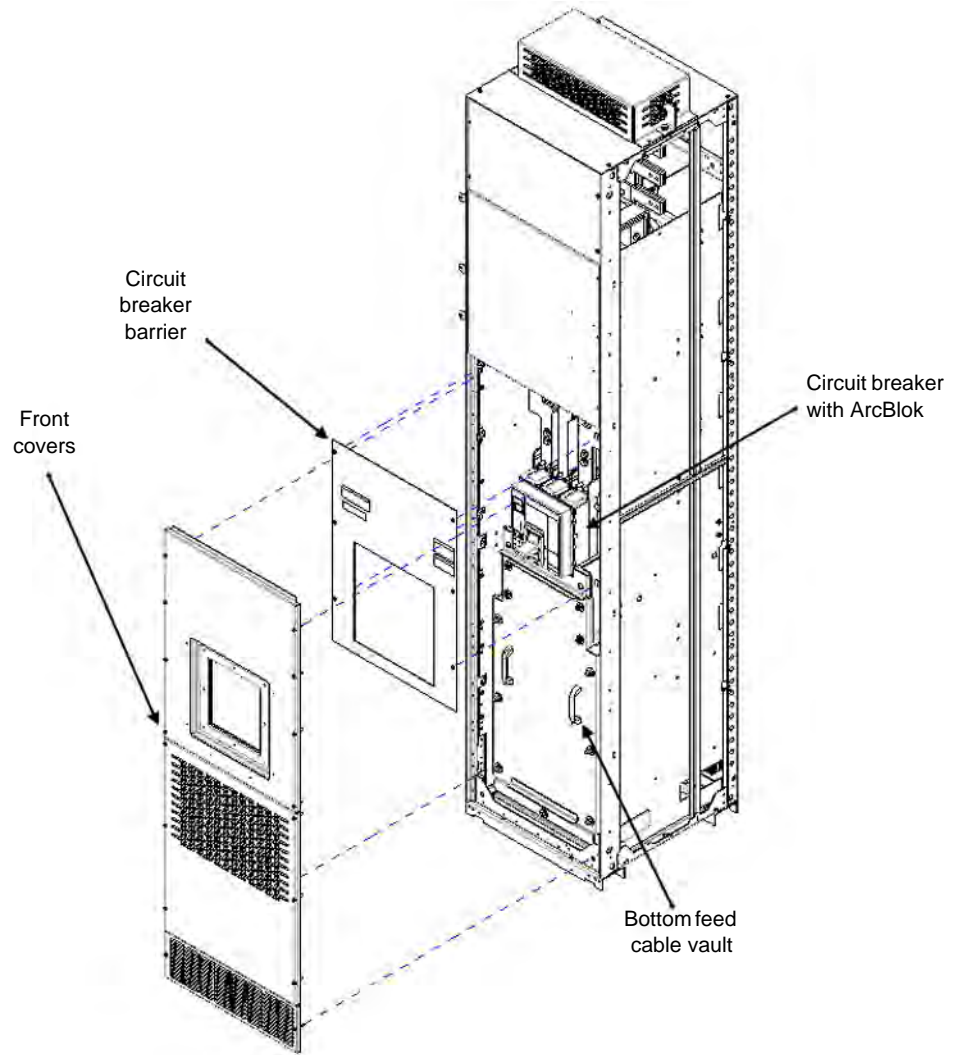
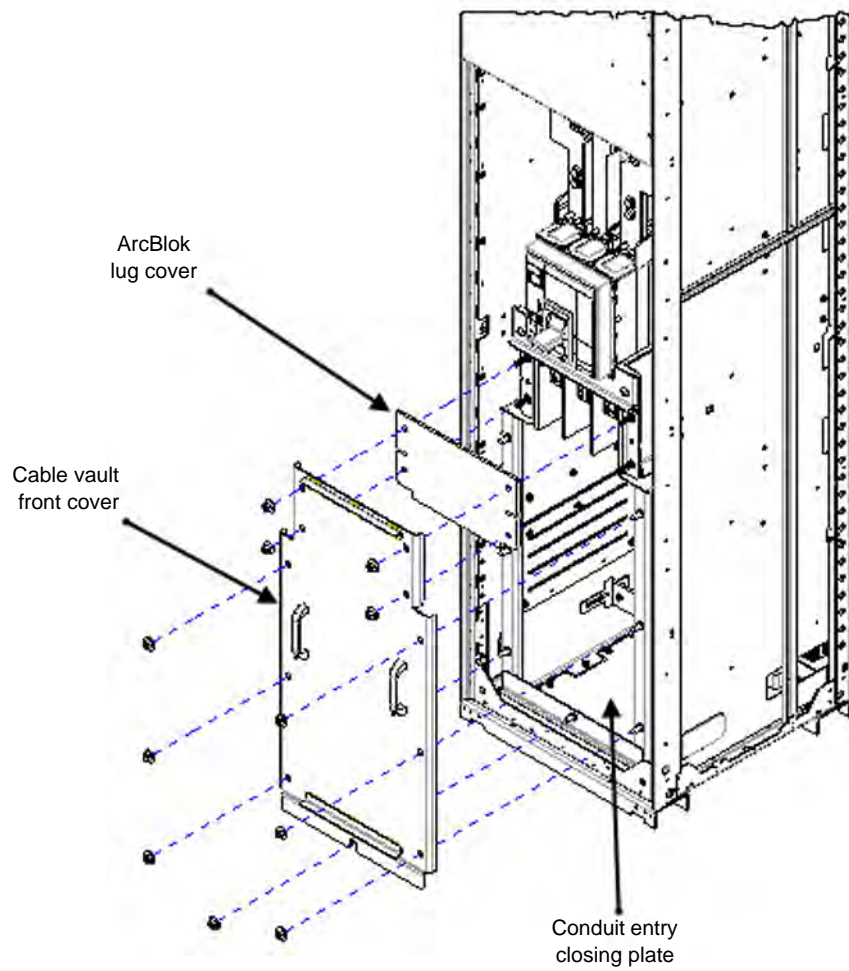


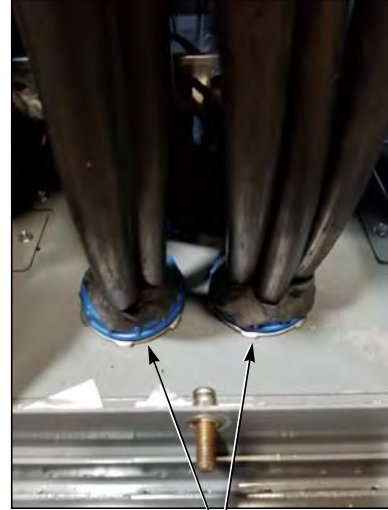
Figure 63 – Line-Side Isolation Cable Vault and ArcBlok Bottom-Feed Main Lug Breaker Access

ENGLISH



NOTE: Cable entry into line-side isolation cable vaults must use conduit connection means installed on the closing plate (in bottom-feed applications) or the pull box top closing plate (in top-feed applications). Conduits must be sealed using duct seal putty.

Figure 64 – Line-Side Isolation Cable Vault Conduit Installation and Sealing



Conduit in removable bottom closing plate sealed with duct putty

Incoming Cable Lacing Instructions—Line-Side Isolation Cable Vault

All cables must be laced and secured prior to installing the cable vault front cover.

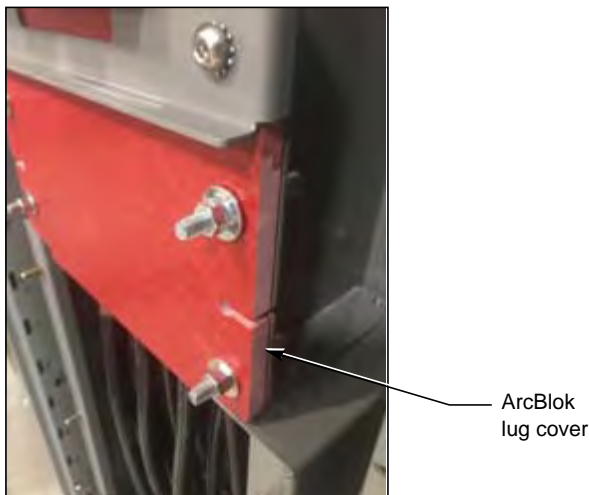
⚠ DANGER

HAZARD OF ELECTRIC SHOCK, EXPLOSION, OR ARC FLASH

- Apply appropriate personal protective equipment (PPE) and follow safe electrical work practices. See NFPA 70E or CSA Z462.
- Turn off all power supplying this equipment before working on or inside equipment.
- Always use a properly rated voltage sensing device to confirm power is off.
- Replace all devices, doors, and covers before turning on power to this equipment.

Failure to follow these instructions will result in death or serious injury.

1. For lacing material, select a sisal or hemp rope with a minimum of 2500 pounds of pull strength (625 pounds working load). Apply tape to any frayed end of the rope before lacing cables.
2. Lace the cables from all phases together in one bundle with a continuous length of rope. The ArcBlok lug cover must be in place and bolted down prior to lacing (Figure 65 on page 66). Make sure interphase barriers are inserted in the grooves of the ArcBlok lug cover. Failure to do so will impact the performance of the equipment.

Figure 65 – ArcBlok Lug Cover in Place Prior to Lacing

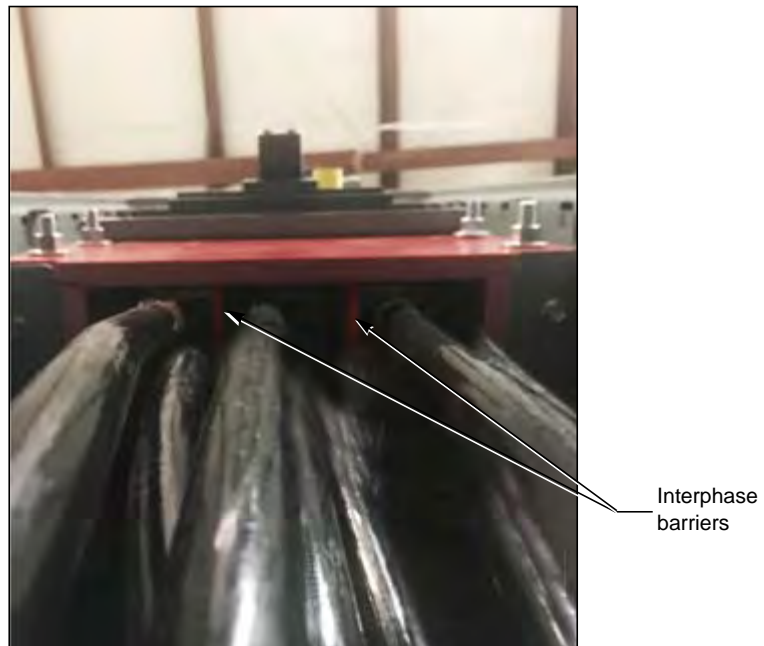
3. Lacing will require two sets of looping groups: an entry loop set and a second looping group nearer to the ArcBlok.
4. Attach one end of the rope to the cable bundle.
5. After attaching the rope to the cables, make a loop in the rope and pull the loop around the cable bundle from behind. Pull the loose end of the rope through the loop (Figure 66).

Figure 66 – First Cable Lacing Loop

6. Continue to pull the rope through the loop until the rope is tight. Continue to make a loop group of no more than two loops, wrapping the cable bundle four times.
7. Next, to create the second loop group, pull the rope around the cable bundle. Make a loop by pulling the loose end under the rope. Continue to pull the rope through the loop until it is tight around the cable bundle. Repeat the procedure until the cable bundle has no more than two loops, wrapping the cable bundle four times. The spacing between the upper and lower loop groups should be no less than 4 in. (102 mm) (Figure 67 on page 67).

Figure 67 – Upper and Lower Cable Lacing Groups

8. Ensure the cable bundles do not disengage the interphase barriers from the grooves of the ArcBlok lug cover (Figure 68 below and Figure 69 on page 68).

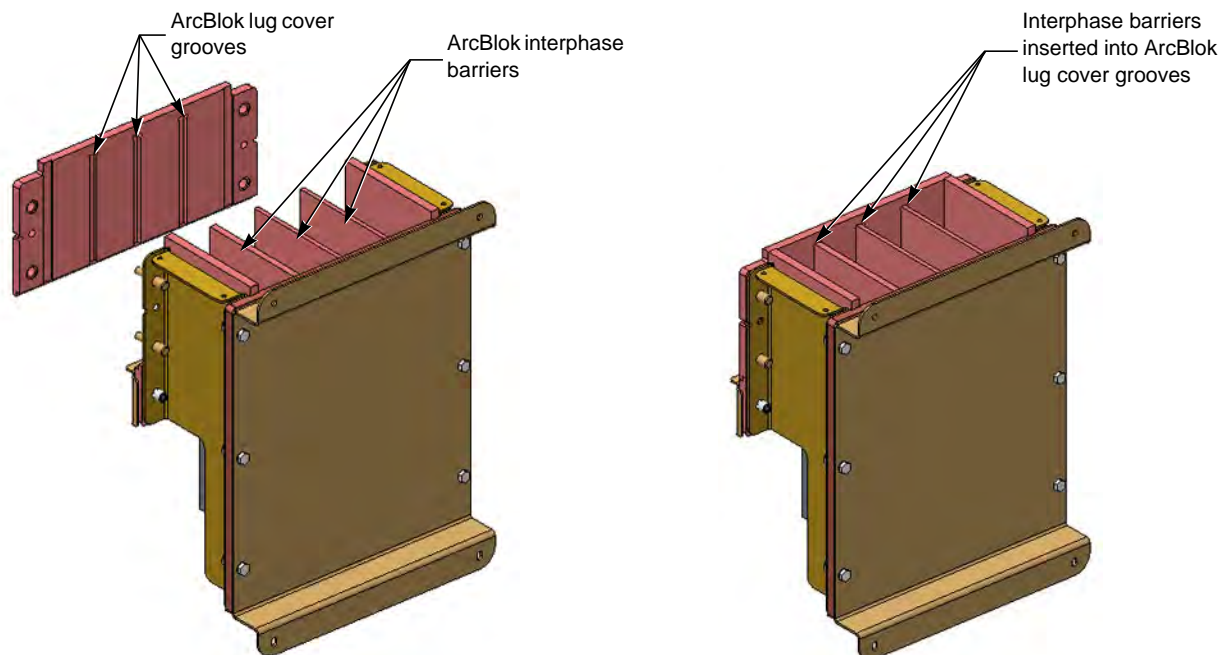
Figure 68 – ArcBlok Interphase Barriers

9. After the entire cable bundle has been laced, tie the ends of the ropes securely to the looping groups, then cut and tape the ends to prevent fraying. Make sure the rope ends are not obstructing the cable vault front cover, overlapping seals, or rear panel damper.

10. While keeping the ArcBlok lug cover in place, remove all cover hardware.

NOTE: Make sure the interphase barriers remain inserted into the grooves of the ArcBlok lug cover (Figure 69).

Figure 69 – ArcBlok Interphase Barriers and Lug Cover Grooves



11. Place the cable vault front cover on top of the ArcBlok lug cover.

12. Install 3/8–16 Keps™ nuts and torque them to 20–23 lb-ft (27–31 N•m).

Vent Hood Installation

⚠ DANGER

HAZARD OF ELECTRIC SHOCK, EXPLOSION, OR ARC FLASH

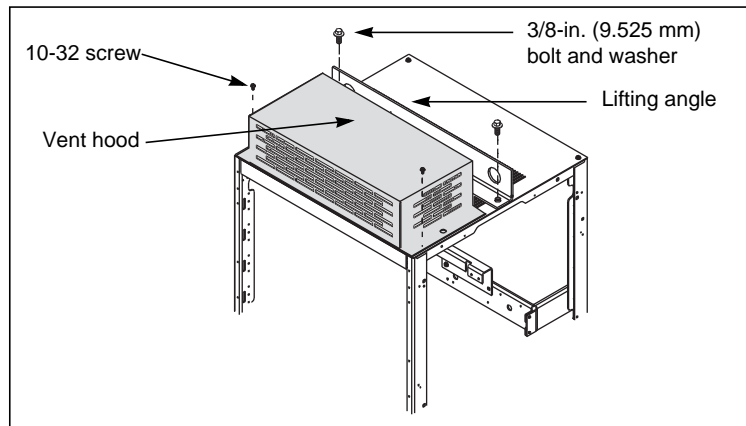
- Apply appropriate personal protective equipment (PPE) and follow safe electrical work practices. See NFPA 70E or CSA Z462.
- This equipment must only be installed and serviced by qualified electrical personnel.
- Turn off all power supplying this equipment before working on or inside equipment.
- Always use a properly rated voltage sensing device to confirm power is off.
- Replace all devices, doors, and covers before turning on power to this equipment.
- Do not drill or cut in the top area of the motor control center.
- Avoid contaminating the motor control center with dust or debris.
- **DO NOT** lift the cabinet by the vent hood or by attaching lifting angles to the vent hood.

Failure to follow these instructions will result in death or serious injury.

This section contains instructions for installing a vent hood over the top plate vents on an MCC.

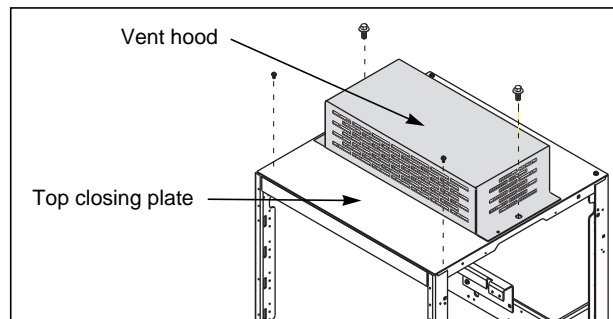
- NOTES:**
- Do not install the vent hood until the MCC is in its final location.
 - Retain all hardware.
1. Turn off all power supplying this equipment before working on or inside the equipment, and follow lockout/tagout procedures. Always use a properly rated voltage sensing device to confirm the power is off.
 2. Remove the 3/8-in. (9.525 mm) bolts, washers, and the lifting angle (see Figure 70).

Figure 70 – Remove the Hardware



3. Remove the two 10-32 screws that secure the vent hood and closing plate to the top of the cabinet (see Figure 71).

Figure 71 – Reposition and Attach the Vent Hood



4. Once the vent hood is removed, secure the top closing plate by reinstalling the 10-32 screws removed in Step 3 (see Figure 71).
5. Position the vent hood on the top of the cabinet as shown.
6. Secure the vent hood in place using the two 3/8-in. (9.525 mm) bolts and washers removed in Step 2. Torque the bolts to 28–33 lb-in (3.164–3.729 N•m).

Pull Box Installation

⚠ DANGER

HAZARD OF ELECTRIC SHOCK, EXPLOSION, OR ARC FLASH

- Apply appropriate personal protective equipment (PPE) and follow safe electrical work practices. See NFPA 70E or CSA Z462.
- This equipment must only be installed and serviced by qualified electrical personnel.
- Turn off all power supplying this equipment before working on or inside it.
- Always use a properly rated voltage sensing device to confirm power is off.
- Replace all devices, doors, and covers before turning on power to this equipment.
- Do not drill or cut in the top area of the motor control center.
- Avoid contaminating the motor control center with dust or debris.
- DO NOT lift the cabinet by the pull box or by attaching lifting angles to the pull box.

Failure to follow these instructions will result in death or serious injury.

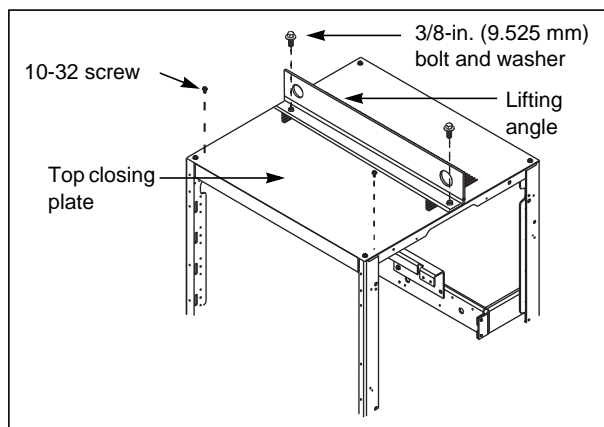
This section contains instructions for installing pull boxes on low voltage MCCs. Pull boxes are either 12 or 18 in. (304.8 or 457.2 mm) high and mount on the top of the MCC.

- NOTES:**
- Do not install the pull box until the MCC is in its final location.
 - Retain all hardware.

Standard Low Voltage MCC Pull Box

1. Turn off all power supplying this equipment before working on or inside the equipment, and follow lockout/tagout procedures. Always use a properly rated voltage sensing device to confirm power is off.
2. Remove the 3/8-in. (9.525 mm) bolts, washers, and the lifting angle (see Figure 72).

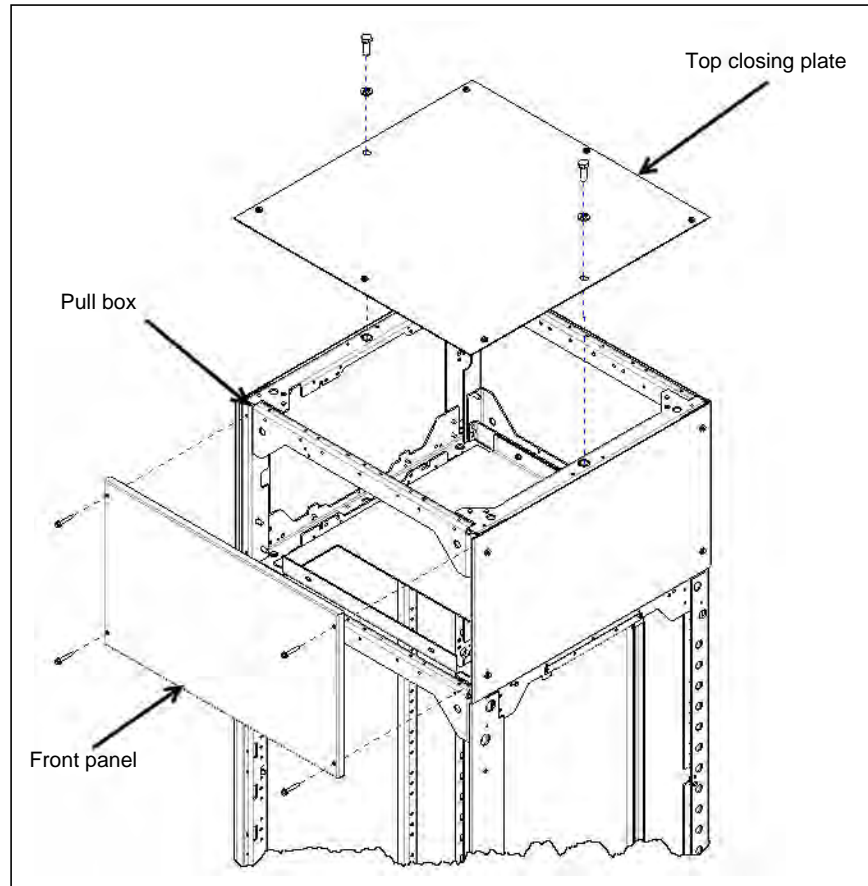
Figure 72 – Remove the Hardware



3. Remove the 10-32 screws that secure the top closing plate to the top of the cabinet (see Figure 72).
4. Remove the top closing plate from the structure.

5. Remove the front panel from the pull box. Position the pull box on top of the cabinet as shown in Figure 73.

Figure 73 – Install the Pull Box

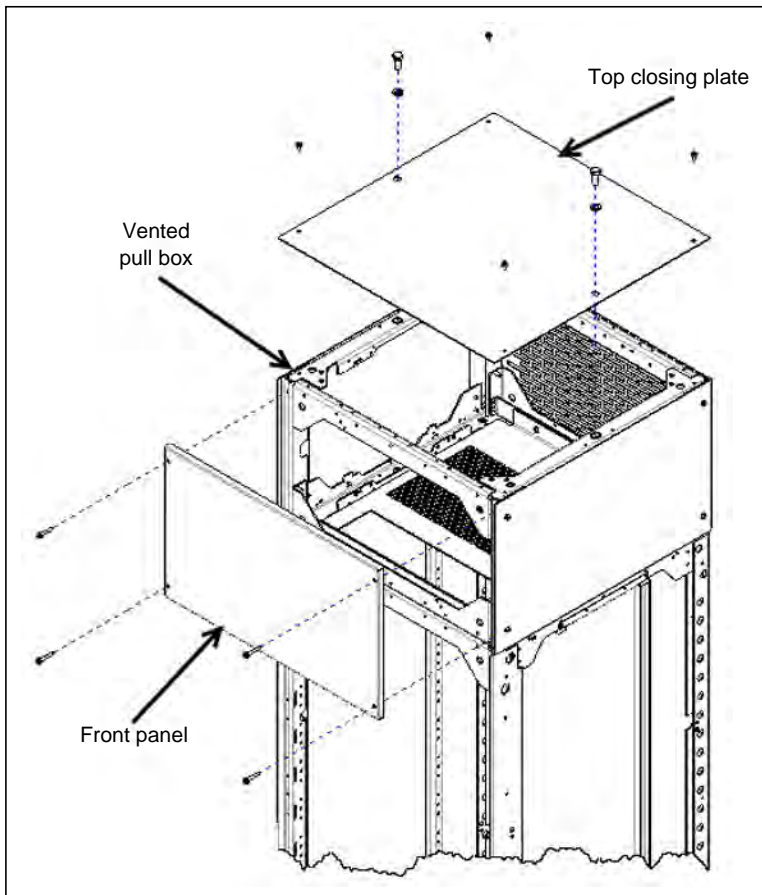


6. Install the two 3/8-in. (9.525 mm) bolts and washers that were removed in Step 2. Place them through the pull box lower side channels and into the top of the cabinet. Torque the bolts to 28–33 lb-in (3.164–3.729 N•m).
7. Re-install the pull box front panel removed in Step 5 and the top closing plate removed in Step 4 (see Figure 73).

Vented Low Voltage MCC Pull Box

1. Follow the same instructions for standard pull box installation, except remove and discard the top closing plate from the MCC section. The vented pull box comes with a solid top plate.

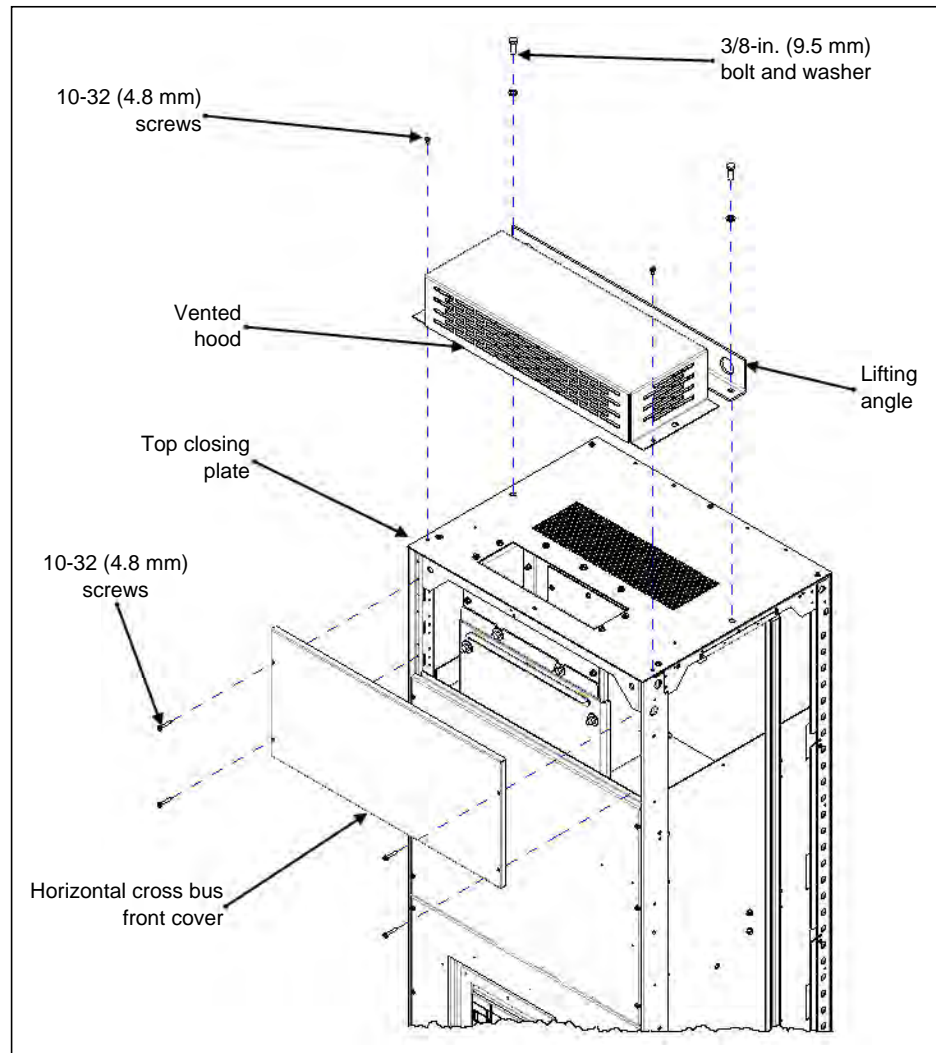
Figure 74 – Install the Pull Box



Line-Side Isolation, Low Voltage MCC Pull Box

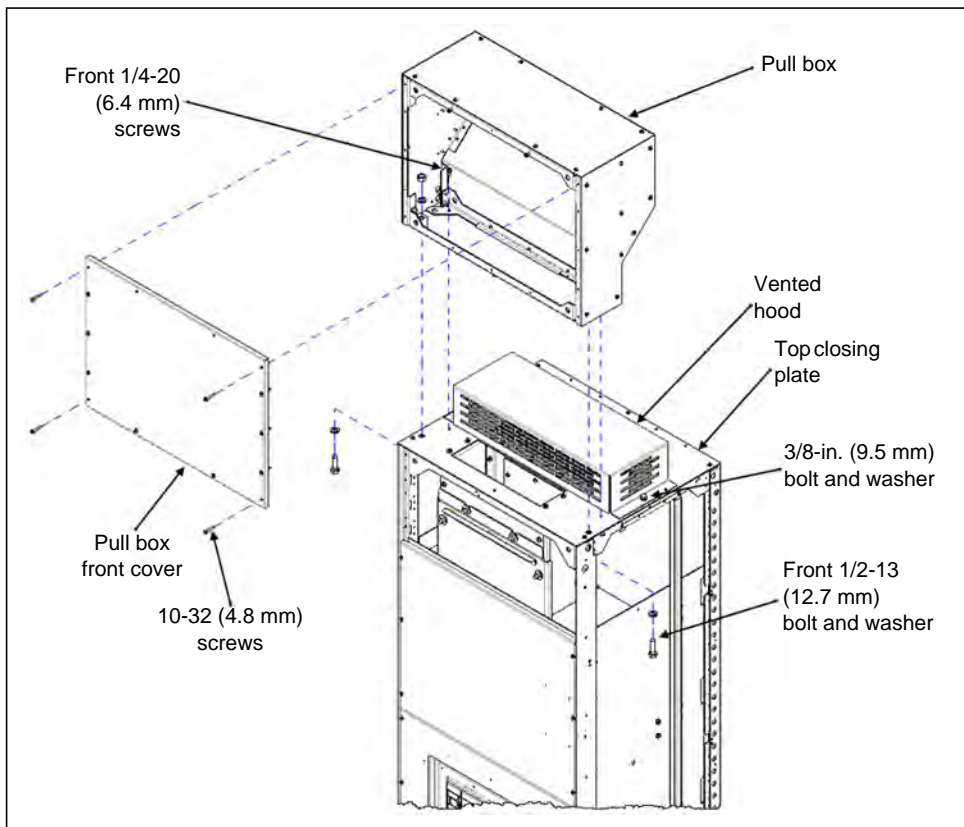
1. Turn off all power supplying this equipment before working on or inside the equipment, and follow lockout/tagout procedures. Always use a properly rated voltage sensing device to confirm power is off.
2. Remove the 3/8-in. (9.5 mm) bolts, washers, and the lifting angle (Figure 75).
3. Remove the 10 /32-in. (4.8 mm) screws and vented hood (Figure 75).
4. Remove the 10/32-in (4.8 mm) screws and horizontal cross bus front cover (Figure 75).

Figure 75 – Remove the Hardware



5. Remove the pull box front cover for installation access (Figure 76).
6. Install 1/2-in. (12.7 mm) bolts and washers from inside the cabinet through the top closing plate and to the front pull box channel. Complete the connection with a washer and nut on the inside of the pull box.
7. Install two 1/4-in (6.4 mm) screws on the pull box rear channel and to the top closing plate.
8. Install the two 3/8-in. (9.5 mm) bolts and washers that were removed in Step 2. Place them through the lower side flanges of the vented hood, and into the top of the cabinet. Torque the bolts to 28–33 lb-in (3.164–3.729 N•m).
9. Re-install the pull box front cover removed in Step 5 (Figure 76) and the horizontal cross bus front cover removed in Step 4 (Figure 75 on page 73).

Figure 76 – Install the Pull Box



Load and Control Wiring

The top and bottom horizontal wire troughs and the vertical wire trough are convenient areas to run incoming line, load, and control wires (see Figure 77). Openings between sections permit wire to pass from one section into the next for interwiring.

Figure 77 – Wiring in the Top Horizontal Wire Trough



Figure 78 – Vertical Wire Trough Grommet



Control and power wires are routed to each unit via the vertical wire trough. When supplied, grommets must be opened to route wire to the unit. The H-shaped cut pattern is pre-scored for easy opening. Using a small knife, cut through the center tabs and complete the H-shaped slice (see Figure 78). When cutting, be sure not to damage the wires located near the grommet.

Pull-apart control terminals (see Figure 79) are mounted on a 35 mm DIN-rail located adjacent to the wiring ports toward the front of the unit. Terminate field control wiring on the removable portion of the block.

Figure 79 – Pull-apart Type Terminal Blocks



ENGLISH

Crimp Lug Cable Assembly for Cabled Disconnect Unit Installation

⚠ DANGER

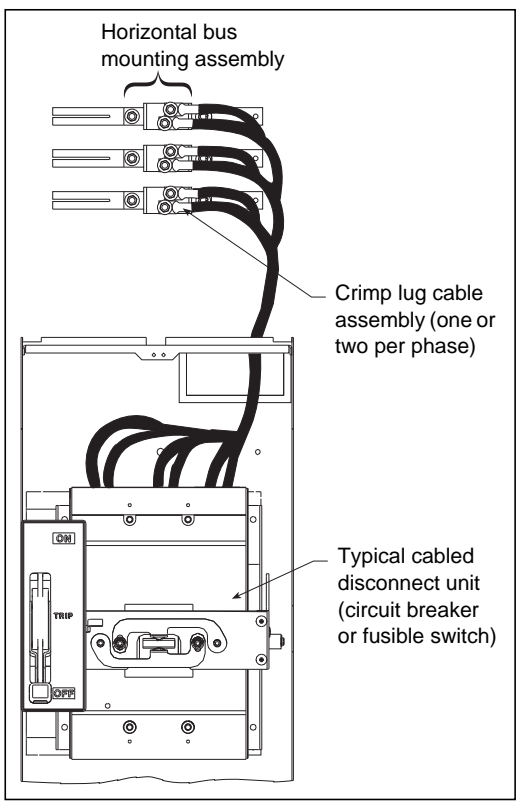
HAZARD OF ELECTRIC SHOCK, EXPLOSION, OR ARC FLASH

- Apply appropriate personal protective equipment (PPE) and follow safe electrical work practices. See NFPA 70E or CSA Z462.
- This equipment must only be installed and serviced by qualified electrical personnel.
- Turn off all power supplying this equipment before working on or inside equipment.
- Always use a properly rated voltage sensing device to confirm power is off.
- Replace all devices, doors, and covers before turning on power to this equipment.

Failure to follow these instructions will result in death or serious injury.

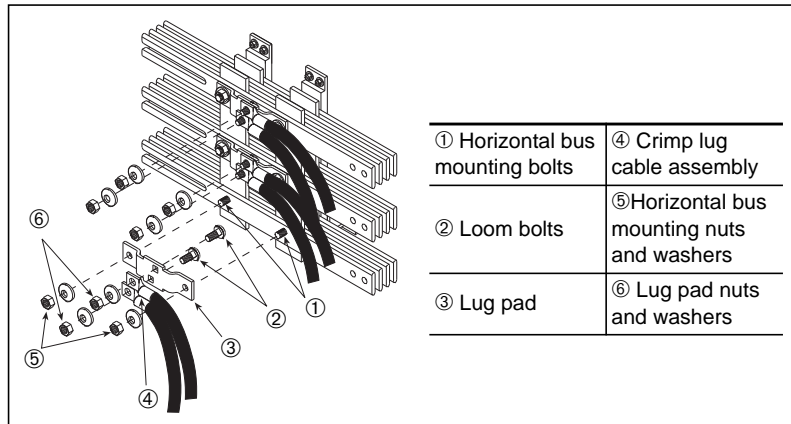
1. Turn off all power supplying this equipment before working on or inside the equipment, and follow lockout/tagout procedures. Always use a properly rated voltage sensing device to confirm the power is off.
2. Access the horizontal bus in the motor control center (see Figure 80).

Figure 80 – Typical Cabled Disconnect Unit



3. Remove the horizontal bus mounting nuts and washers (item ⑤) from the horizontal bus assembly (see Figure 81).

Figure 81 – Typical Horizontal Bus Assembly



4. Insert the loom bolts (item ②) through the rear of the lug pad (item ③).
5. Using the mounting nuts and washers from Step 3, attach the lug pad to the horizontal bus mounting bolts (item ①).
6. Torque the horizontal bus mounting nuts to 820–840 lb-in (93–95 N•m).
7. Route the cable to the circuit breaker or fuse disconnect unit (see Figure 80); trim cable length as required.
8. Using the lug pad nuts and washers (item ⑥), attach the crimp lug cable assembly (item ④) to the loom bolts on the lug pad.
9. Torque the lug pad nuts to 820–840 lb-in (93–95 N•m).

Cable Connection Torque Values

**Figure 82 – Main Lug
Compartment
Torque
Connection**



Tables 4 and 5 provide main disconnect and branch feeder torque values, which apply to both aluminum and copper conductors.

Table 4 – Connection Torque Values for Main Lug Compartments ¹

Socket Size Across Flat	Torque
3/8 in.	375 lb-in (42.4 N•m)
1/2 in.	500 lb-in (55.6 N•m) for 800–1200 A, bottom main lug compartments
	600 lb-in (67.8 N•m) for all others

¹ See Figure 82.

Table 5 – Connection Torque Values for Main and Branch Feeders

Frame Size	Ampere Rating	Torque
B	15–125 A	44 lb-in (5.0 N•m) for #14 - #8 80 lb-in (9.0 N•m) for #6 - #3/0
H	15–30 A	50 lb-in (5.6 N•m)
	35–150 A	120 lb-in (13.6 N•m)
J	150–250 A	225 lb-in (25.4 N•m)
FA	15–30 A	35 lb-in (3.9 N•m)
	35–100 A	80 lb-in (9.0 N•m)
FC	20–30 A	35 lb-in (4.0 N•m)
	40–100 A	65 lb-in (7.3 N•m)
KA	70–250 A	250 lb-in (28.2 N•m)
KC	110–250 A	250 lb-in (28.2 N•m)
LA/LH	125–400 A	200 lb-in (22.6 N•m)
LC/LI/LE/LX/LXI	300–600 A	300 lb-in (33.9 N•m)
LG/LH/LL/LR	300–600 A	442 lb-in (50 N•m)
MA/MH/ME/MX	200–400 A	300 lb-in (33.9 N•m)
	450–1000 A	300 lb-in (33.9 N•m)
NT	400–1200 A	600 lb-in (67.8 N•m)
NW	400–3200 A	600 lb-in (67.8 N•m)
PA/PH/PE/PX	800–2000 A	600 lb-in (67.8 N•m)
MJ/MG	300–800 A	450 lb-in (50.8 N•m)
PJ/PK/PG/PL	250–1200 A	450 lb-in (50.8 N•m)
RJ/RK/RG/RL	600–2500 A	500 lb-in (56.5 N•m)

Component Instructional Information

Component manuals for devices such as adjustable frequency drive controllers, solid state reduced voltage starters, and programmable logic controllers are included with the MCC instruction information packet.

Thermal overload selection data is listed on the inside of the vertical wire trough door of each section. This information is also listed in this bulletin; see “Thermal Overload Unit Selection” beginning on page 146. Select proper thermal overloads from the applicable starter size tables.

Modifying Fuse Clip Locations

ENGLISH

⚠ DANGER

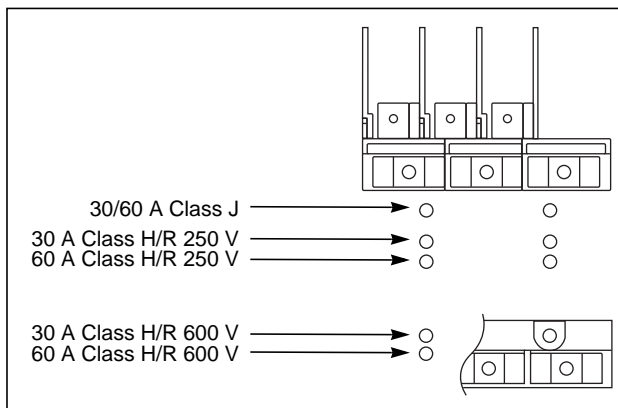
HAZARD OF ELECTRIC SHOCK, EXPLOSION, OR ARC FLASH

- Apply appropriate personal protective equipment (PPE) and follow safe electrical work practices. See NFPA 70E or CSA Z462.
- This equipment must only be installed and serviced by qualified electrical personnel.
- Never operate energized switch with door open.
- Turn off switch before removing or installing fuses or making load side connections.
- Always use a properly rated voltage sensing device at all line and load fuse clips to confirm switch is off.
- Turn off all power supplying switch before doing any other work on or inside switch.
- Do not use renewable link fuses in fused switches.

Failure to follow these instructions will result in death or serious injury.

Install 30 and 60 A fuse bases for the proper fuse size and class and maximum voltage in Size 1 and 2 starter units. The base pan of the disconnect switch has five sets of mounting holes for this purpose. The lower fuse base is installed in the proper mounting holes at the factory (see Figure 83). Additional clips and bases may be required if changing fuse class.

Figure 83 – Size 1 and 2 Fuse Clip Locations



Turn off all power supplying this equipment and follow lockout/tagout procedures before working on or inside equipment. Always use a properly rated voltage sensing device to confirm the power is off.

NOTE: For Form II Class C fuse spacing, contact your Schneider Electric Canada representative.

Section 5—Operation

Included in this section are the pre-operation checklist and energizing procedures.

Pre-operation Checklist

To ensure proper operation of the MCC, check the items listed below before energizing the MCC:

- ❑ Complete the maintenance procedures beginning on page 82 and continuing up to “Insulation Test” on page 96. This initial maintenance is necessary to detect any shipping damage or loose connections. Do not energize the MCC until initial maintenance is complete.

NOTE: The following maintenance procedures are not necessary before energizing the MCC for the first time: Stab Assemblies, Starter Contacts, and Barriers/Insulators.

- ❑ Perform an insulation test on the MCC (see “Insulation Test” on page 96).
- ❑ If the MCC is equipped with ground fault protection, properly adjust and test the ground fault protective device before energizing.

Figure 84 – Pre-operation Check



- ❑ Remove all blocks or other temporary holding means from the electrical devices.
- ❑ Remove any secondary shunt bars from the current transformers. Do not operate a current transformer with its secondary open-circuited.
- ❑ Manually exercise all switches, circuit breakers, and other operator mechanisms to ensure that they are properly aligned and operate freely.
- ❑ Electrically exercise all electrically-operated switches, circuit breakers and other mechanisms (but not under load) to ensure that the devices operate properly. An auxiliary source of control power may be required.
- ❑ Verify proper interval and contact operation of the timers.
- ❑ Verify that proper overload units are installed by checking the overload selection tables against motor full load current. Motor Logic, TeSys™ T, and IEC overload relays (if supplied) do not require thermal units, but are set at the lowest setting at the factory.
- ❑ Verify that all load and remote control connections have been made and that they agree with the wiring diagrams provided.
- ❑ Verify that all ground connections are made properly.
- ❑ Install the covers and close the doors; ensure all fasteners are properly tightened; verify all mechanism interlocks function.

For arc-rated applications:

- ❑ Verify that lifting angles have been removed from all sections in the line-up.
- ❑ Verify that the proper top plate assembly has been installed per the provided instructions.
- ❑ Verify that over-current protection device (OCPD) settings meet the requirements outlined in this document before applying power.
- ❑ Verify that the required clearances from obstructions above and around the equipment have been met per the requirements outlined in this document.

For ArcBlok mains:

- ❑ Verify all incoming power cables are properly installed and secured:
 - Cable lacing is complete per instructions starting on page 65.
 - The damper and two springs on the cable vault rear panel are installed and functioning properly.
 - Closing plates are installed with conduit.
 - The space between conductors and conduit is sealed with duct seal putty.
- ❑ Verify all ArcBlok and cable vault covers are replaced and secured correctly.

Energizing the MCC**⚠ DANGER****HAZARD OF ELECTRIC SHOCK, EXPLOSION, OR ARC FLASH**

- Apply appropriate personal protective equipment (PPE) and follow safe electrical work practices. See NFPA 70E or CSA Z462.
- This equipment must only be installed and serviced by qualified electrical personnel.
- Turn off all power supplying this equipment before working on or inside equipment.
- Always use a properly rated voltage sensing device to confirm power is off.
- Replace all devices, doors, and covers before turning on power to this equipment.
- Review the “Pre-operation Checklist” on page 80, ensuring that all items check out.

Failure to follow these instructions will result in death or serious injury.

To energize the MCC:

1. Review the “Pre-operation Checklist” on page 80 before energizing.
2. Turn off all downstream loads, including distribution equipment and other devices that are remote from the MCC.
3. Verify that all barriers, doors, and covers are closed before energizing the equipment.
4. Energize the equipment in sequence, starting with the main devices, the feeder devices next, and then the motor starter devices.
5. With all barriers in place and all unit doors closed and latched, turn on the devices with a firm, positive motion.
6. After all disconnect devices are closed, loads such as lighting circuits, starters, contactors, heaters, and motors may be energized.

ENGLISH

Section 6—Maintaining the MCC

Before energizing any new MCC equipment, perform the maintenance described in this section. Perform regular maintenance at least annually, or more frequently if indicated by service conditions and your established maintenance policy. Also perform maintenance following any service interruption, electrical fault, or unusual occurrence.

Examining the Enclosure

Examine the interior and exterior of the MCC for moisture, oil, or other foreign material. Eliminate all foreign material and clean the MCC.

Clean the interior and exterior of the MCC with a vacuum cleaner. (Do not use compressed air; it will redistribute contaminants to other surfaces.) Check the enclosure for damage that might reduce electrical clearances.

Examine the finish of the enclosure. Touch up the paint if necessary. Replace any badly corroded or damaged enclosure parts.

Maintaining Bus Bars and Incoming Line Compartments

⚠ DANGER
HAZARD OF ELECTRIC SHOCK, EXPLOSION, OR ARC FLASH
<ul style="list-style-type: none"> • Apply appropriate personal protective equipment (PPE) and follow safe electrical work practices. See NFPA 70E or CSA Z462. • This equipment must only be installed and serviced by qualified electrical personnel. • Turn off all power supplying this equipment before working on or inside equipment. • Always use a properly rated voltage sensing device to confirm power is off. • Replace all devices, doors, and covers before turning on power to this equipment.
Failure to follow these instructions will result in death or serious injury.

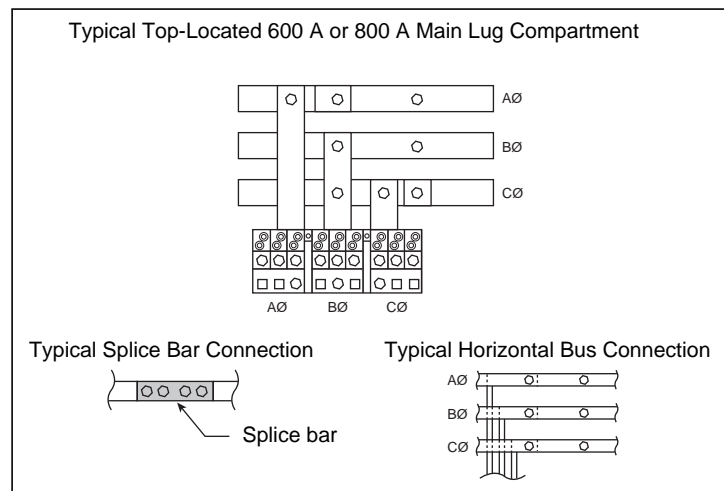
NOTE: If a 3-inch VeriSafe™ Absence of Voltage Tester (AVT) unit is being used to confirm that power is off, refer to the one-line diagram for the MCC to determine which parts of the MCC bus system the AVT monitors. The line side of the breaker main supplying power to MCC lineup or other portions of the MCC bus system might still be powered.

NOTICE
HAZARD OF EQUIPMENT DAMAGE
<ul style="list-style-type: none"> • Never brush or use sandpaper on the bus; doing so will remove plating and cause oxidation. Use a cleaning fluid approved for such use. Do not use cleaning fluid on insulators. • Do not attempt to clean bus bars or connectors that are damaged in any way. Replace them with new parts.
Failure to follow these instructions can result in equipment damage.

Perform maintenance of bus and incoming line lug connections at least annually, or more frequently if indicated by service conditions and your established maintenance policy. Follow the steps below at the time of installation to locate and tighten any connections that may have loosened during shipment and handling:

1. Turn off all power supplying this equipment before working on or inside the equipment, and follow lockout/tagout procedures. Always use a properly rated voltage sensing device to confirm power is off.
2. Remove the top and bottom horizontal wire trough covers in each section.
3. Expose the bus and bus connections by removing the two-piece bus barrier in each section.
4. Examine all bus bars and connectors. Replace any parts that are badly discolored, corroded, or pitted. Also replace parts subjected to excessive temperatures.
5. Verify that all bolts at the bus connection points indicated by a hexagon in Figure 85 are in place and properly tightened. Although one specific type of compartment or bus is shown in Figure 85, perform this maintenance on all bolted connections. See Table 6 for torque values.
6. Access to load-side connections for top-feed ArcBlok main sections will be restricted by the cable vault, so an access panel in the cable vault provides access to B phase bus connections. Bus connections for A and C phases are located at the outer edges of the cable vault. (See Figure 86 on page 84.)

Figure 85 – Typical Bus Connection Points



ENGLISH

Figure 86 – Typical Bus Connection Points—Top-Feed ArcBlok Main Access

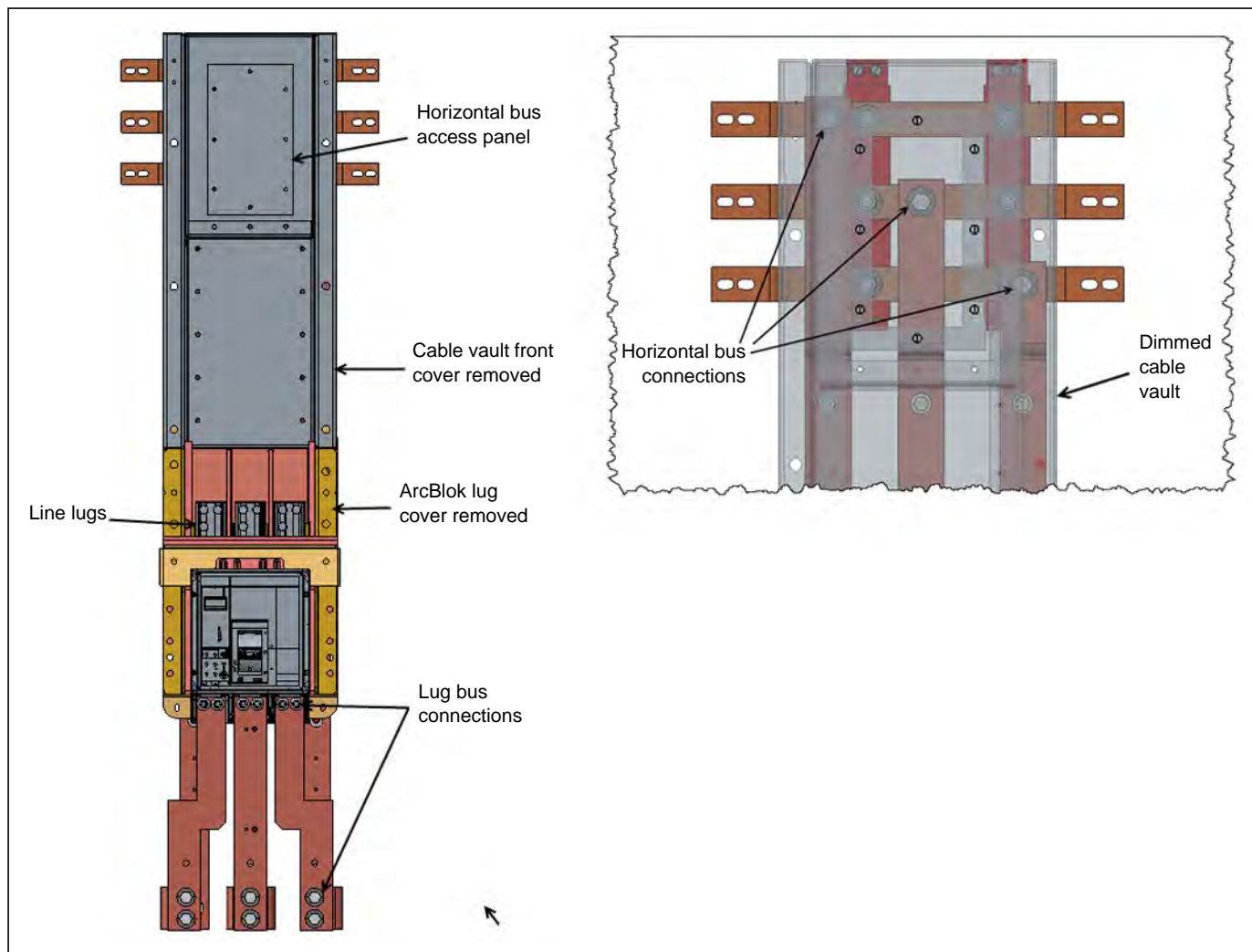


Figure 87 – Main Lug Compartment Torque Connection



Table 6 – Bus Connection Torque Values

Bolted Connection Location	Torque Range
Horizontal bus (all locations)	68–70 lb-ft (92.29–94.54 N•m)
Horizontal ground bus (all locations)	5–6 lb-ft (6.75–8.44 N•m)
Splice bars—0.375 in. diameter bolts	31–32 lb-ft (41.64–43.33 N•m)
Splice bars—0.5 in. diameter bolts	68–70 lb-ft (92.29–94.54 N•m)

7. Verify that all main lug, circuit breaker, or fusible switch set screws holding incoming conductors in main lugs are in place and properly tightened (see Figure 87). Use a torque wrench and a 3/8 in. allen bit to torque the lug set screws to the appropriate value (see “Cable Connection Torque Values” on page 78).
8. Inspect all insulators, braces, and barriers; replace any that show signs of arcing damage, tracking, excessive heat, or cracking.

Maintaining the Control Unit

⚠ DANGER

HAZARD OF ELECTRIC SHOCK, EXPLOSION, OR ARC FLASH

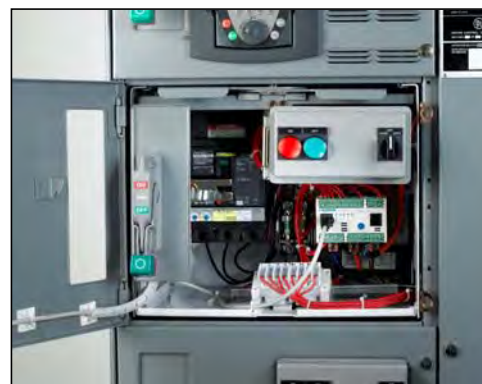
- Apply appropriate personal protective equipment (PPE) and follow safe electrical work practices. See NFPA 70E or CSA Z462.
- This equipment must only be installed and serviced by qualified electrical personnel.
- Turn off all power supplying this equipment before working on or inside equipment.
- Always use a properly rated voltage sensing device to confirm power is off.
- Replace all devices, doors, and covers before turning on power to this equipment.

Failure to follow these instructions will result in death or serious injury.

NOTE: If a 3-inch VeriSafe™ Absence of Voltage Tester (AVT) unit is being used to confirm that power is off, refer to the one-line diagram for the MCC to determine which parts of the MCC bus system the AVT monitors. The line side of the breaker main supplying power to MCC lineup or other portions of the MCC bus system might still be powered.

Perform maintenance on control units at least annually, or more frequently if indicated by service conditions and your established maintenance policy. During installation, locate and tighten any connections that have become loose during shipment and handling, using the following procedures. If the control unit (see Figure 88) is being removed from the MCC for maintenance, start with “Removing the Control Unit” beginning on page 86. If maintenance is performed with the control unit installed, start with “Circuit Breaker or Disconnect Switch” on page 92.

Figure 88 – Control Unit



Removing the Control Unit

⚠ DANGER

HAZARD OF ELECTRIC SHOCK, EXPLOSION, OR ARC FLASH

- Apply appropriate personal protective equipment (PPE) and follow safe electrical work practices. See NFPA 70E or CSA Z462.
- This equipment must only be installed and serviced by qualified electrical personnel.
- Turn off all power supplying this equipment before working on or inside equipment.
- Always use a properly rated voltage sensing device to confirm power is off.
- Do not attempt to remove the unit from the structure with the disconnect in the *on* position.
- The control unit is interlocked with the MCC structure to prevent the unit from being withdrawn while the disconnect is in the *on* position. Do not attempt to override the mechanism-to-structure interlock.
- Replace all devices, doors, and covers before turning on power to this equipment.

Failure to follow these instructions will result in death or serious injury

The Model 6 MCC is designed for convenient and quick control unit removal and replacement. Follow these steps to remove control units:

1. Turn off all power supplying this equipment before working on or inside the equipment, and follow lockout/tagout procedures. Always use a properly rated voltage sensing device to confirm the power is off.

NOTE: If a 3-inch VeriSafe™ Absence of Voltage Tester (AVT) unit is being used to confirm that power is off, refer to the one-line diagram for the MCC to determine which parts of the MCC bus system the AVT monitors. The line side of the breaker main supplying power to MCC lineup or other portions of the MCC bus system might still be powered.

2. Move the operator mechanism to the OFF position (see Figure 89).

Figure 89 – Operator Mechanism in the OFF Position

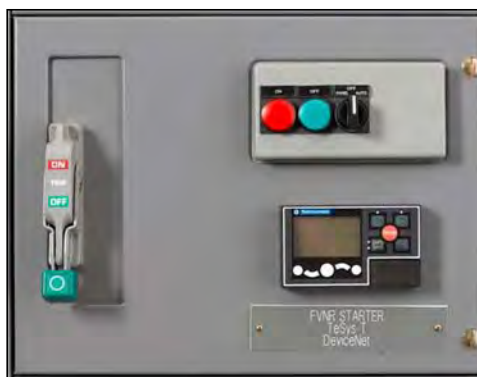


Figure 90 – Loosening Captive Fasteners



- Loosen the captive fasteners (see Figure 90) on the door and open it. Use a properly rated voltmeter to check for live circuits. De-energize any voltage sources.

NOTE: Arc-rated units have additional fasteners at the top-middle and bottom-middle of the door that must be loosened to open the door (see Figure 91).

Figure 91 – Arc-Rated MCC Door Latches



- Release the lock-in device located at the bottom front of the unit (when supplied) by turning the screw on the front of the device until the locking pawl is parallel to the bottom of the unit (see Figure 92).

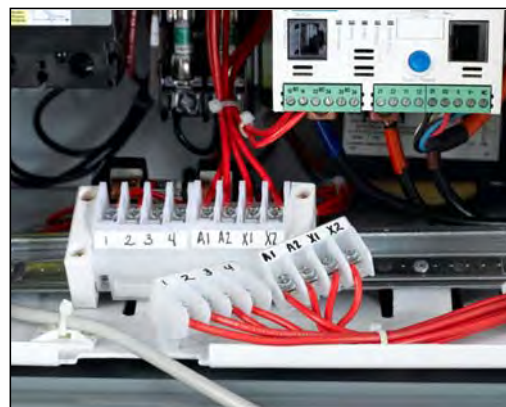
Figure 92 – Releasing the Lock-in Device (when supplied)



- Disconnect the power wiring from the starter terminals or, if provided, the power terminal blocks. Tag the terminations for re-installation (see Figure 93).

Remove the top portion of the pull-apart control terminal blocks to which field wiring is connected.

Figure 93 – Disconnected Terminal Blocks



ENGLISH

Figure 94 – Power Leads and Top of Terminal Blocks Fed Through Wiring Port



6. Push the power leads and the top portion of the control pull-apart terminal blocks through the wiring port and into the vertical wire trough (see Figure 94).
7. Pull forward on the twin handle cam mechanism located at the top front of the unit to rack the unit partially out of the structure (see Figure 95). This action disconnects the power stabs from the vertical bus. Continue pulling forward until the handles are fully extended.

Figure 95 – Pulling the Twin Handle Cam Mechanism Forward



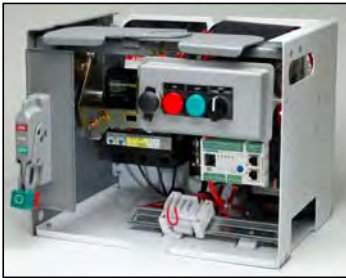
Figure 96 – Operating the Mechanism-to-Structure Interlock



8. The operator mechanism-to-structure interlock prevents the control unit from being withdrawn or inserted with the handle in the ON position (see Figure 96).
9. If the withdrawn unit is left in the structure, use appropriate lock-out procedures to avoid re-loading by non-authorized personnel (see Figure 97).

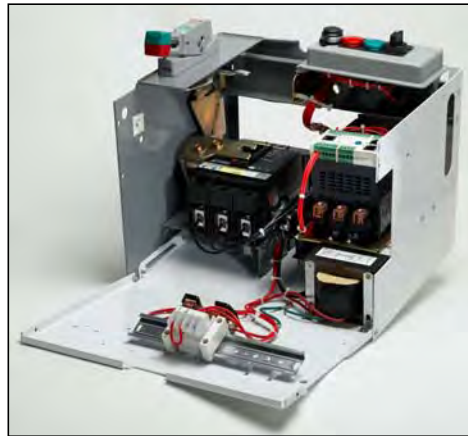
Figure 97 – Locked Out Device



Figure 98 – Control Unit Removed

10. Remove the control unit from the structure for servicing (see Figure 98). In units with a full bottom plate, additional accessibility to the components and wiring can be achieved by folding the bottom plate down. To do so, lean the unit on its back, remove the two front screws, and fold the bottom plate down (see Figure 99).

NOTE: Lifting plug-on units taller than 24 in. (610 mm) requires two or more persons using special handling precautions. If lifting devices are used, see Figure 6 on page 22 for the proper lifting points. Figure 6 also shows a lifting point that is NOT recommended when lifting larger units.

Figure 99 – Control Unit with Bottom Plate Folded Down

11. If necessary, the door can be taken off its hinges without removing the unit. To do so, drive the hinge pins out of the hinge collars, using a small flat-bladed screwdriver or small punch (see Figure 100). Remove the bottom hinge pin first.

As an alternative to removing the hinge pins, the hinge mounting screws can be removed from the structure through the access holes provided.

Figure 100 –Driving Out Hinge Pin

12. When reinstalling a hinge pin, make certain that the hooked end is fully engaged into the hinge collar.

Removing the Compac™ 6 Control Unit

⚠ DANGER

HAZARD OF ELECTRIC SHOCK, EXPLOSION, OR ARC FLASH

- Apply appropriate personal protective equipment (PPE) and follow safe electrical work practices. See NFPA 70E or CSA Z462.
- This equipment must only be installed and serviced by qualified electrical personnel.
- Turn off all power supplying this equipment before working on or inside it.
- Always use a properly rated voltage sensing device to confirm power is off.
- Replace all devices, doors, and covers before turning on power to this equipment.

Failure to follow these instructions will result in death or serious injury.

1. Turn off all power supplying this equipment before working on or inside the equipment, and follow lockout/tagout procedures. Always use a properly rated voltage sensing device to confirm power is off.
2. Move the operator handle to the OFF position (see Figure 101).

Figure 101 –Operator Handle in the OFF Position



3. Loosen the captive fasteners (see Figure 102) on the door and open it.

NOTE: Arc-rated units have additional fasteners at the top-middle and bottom-middle of the door that must be loosened to open the door (see Figure 91 on page 87).

Figure 102 –Loosening Captive Fasteners



4. Check for live circuits using a properly rated voltage sensing device. De-energize any voltage sources.

NOTE: Removal of the control station plate may be necessary to perform Steps 5 and 6. To remove the control station plate, follow these steps:

- a. Loosen the captive mounting screws holding the plate to the front of the unit.
- b. Remove the plate from the unit (see Figure 103).
- c. Re-attach the plate after disconnecting the load wires and control terminal block.

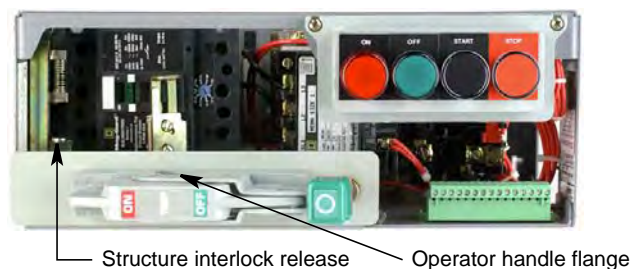
NOTE: Do not disconnect the wires to the control station plate.

Figure 103 –Control Station Plate Removed



5. Disconnect the power wiring from the starter terminals. Tag the terminations for re-installation.
6. Remove the top portion of the pull-apart control terminal block to which field wiring is connected.
7. Push the power leads and the top portion of the control pull-apart terminal blocks through the wiring port and into the vertical wire trough.
8. Grasp the operator handle flange and press down on the structure interlock release (see Figure 104).

Figure 104 –Operator Handle and Interlock Release



9. Firmly pull the unit forward to disengage the power stabs from the vertical bus. The unit should now slide freely from the MCC structure.
10. The operator mechanism-to-structure interlock prevents the control unit from being inserted or withdrawn with the handle in the ON position.
11. If the withdrawn unit is left in the structure, use appropriate lock-out/tag-out procedures to avoid re-loading by non-authorized personnel.
12. Remove the control unit from the structure and place it on a flat surface for servicing.

NOTE: Partial disassembly of the unit may be necessary to gain access to various electrical connections for servicing.

Tests and Maintenance Performed with the Control Unit Removed

NOTICE

HAZARD OF EQUIPMENT DAMAGE

- Do not remove the protective lubricant from the stabs.
- If additional lubricant is required, order electrical joint compound (Schneider Electric part # PJC-7201).

Failure to follow these instructions can result in equipment damage.

Once the control unit is removed, perform the following tests and maintenance:

Stab Assemblies—Inspect the stab assemblies (see Figure 105) for signs of arcing or overheating. **Replace the disconnect assembly (FA/KA type circuit breakers) or the jaw connector assembly (B-, H-, J-, or L-frame circuit breakers) immediately if overheating has occurred.** For replacement disconnect assemblies, see “Section 13—Circuit Breaker and Fusible Switch Replacement” beginning on page 152.

NOTE: If the stab assembly is badly pitted, the vertical bus may also need to be replaced.

Figure 105 –Stab Assembly



Circuit Breaker or Disconnect Switch—Verify proper operation of the circuit breaker or disconnect switch. Inspect switch blades; if evidence of arcing or excessive heat is present, replace the switch assembly. Exercise the push-to-trip feature on the circuit breakers.

Figure 106 –Operator Mechanism in the Tripped Position

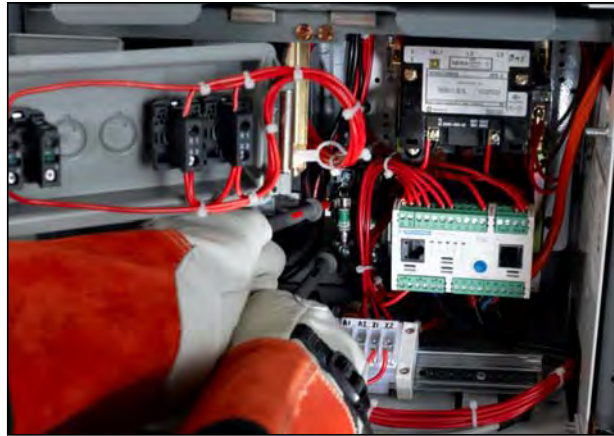


Operator Mechanism—Verify proper operation of the operator mechanism (see Figure 106). Test for proper ON, TRIP, OFF, and RESET positions (F-, K-, and L-frame circuit breakers) or ON, TRIP, and OFF positions (B-, H-, J-, M-, or P-frame circuit breakers). Verify proper door interlock operation.

NOTE: Fusible switch operator mechanisms do not have TRIP or RESET positions.

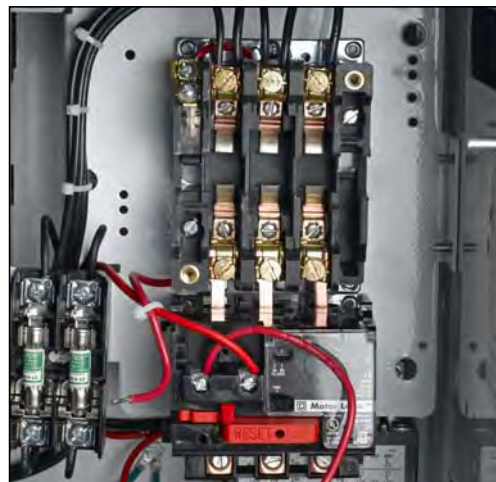
Fuses—Inspect all fuses and fuse clips (see Figure 107). Replace any parts showing signs of overheating or arcing.

Figure 107 –Inspecting Fuses



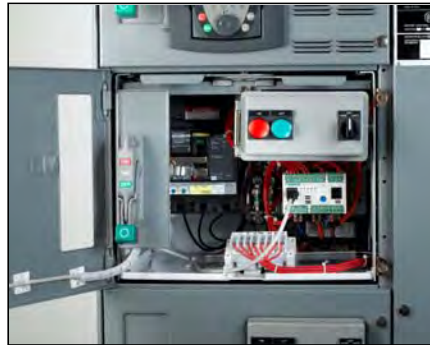
Starter Contacts—Check the starter contacts (see Figure 108). Replace any that are badly worn or pitted. (See the contactor instruction bulletin included with the original shipment.)

Figure 108 –Starter Contacts



Control Devices—Check for proper operation of starters, relays, timers, and other control devices (see Figure 109).

Figure 109 –Control Devices



Overload Relay—Manually trip the overload relay to ensure proper operation (see Figure 110). Verify that the thermal unit is the proper size for the application. Refer to the thermal unit selection tables on the inside of the vertical wire trough doors.

Figure 110 –Tripping the Overload Relay



Wiring and Electrical Connections—Verify that all electrical connections are correct; tighten them if necessary (see Figure 111). For any inaccessible electrical connections, please contact Schneider Electric Services. Also inspect all power and control wiring, replacing any wire that has worn insulation or shows signs of overheating or cracking.

Figure 111 –Tightening Electrical Connections

Starter Interlocks—Check the mechanical interlocks on reversing, multi-speed, or reduced voltage starters.

Barriers/Insulators—Inspect all insulators, braces, and barriers (see Figure 112); replace any that show signs of arcing damage, tracking, excessive heat, or cracking.

Figure 112 –Manual and Automatic Bus Shutters

Manual Bus Shutter



Automatic Bus Shutter

Special Units—Follow the manufacturer’s recommended maintenance procedures for special units (for example: drives, soft starts, and automatic transfer switches).

Reassembly

To reassemble the MCC after testing and maintenance, follow the steps below:

1. Reinstall Compac 6 units by reversing removal Steps 1–12 in “Removing the Compac™ 6 Control Unit” beginning on page 90. Reinstall all other units by reversing removal Steps 1–12 in “Removing the Control Unit” beginning on page 86.
2. Confirm the cam mechanism is in the open position; position the mounting slides of the control unit onto the slots of the mid-shelf. Slide the unit inward to engage the cam mechanism.

For Compac 6 units, position the mounting slides of the control unit onto the slots of the mid-shelf. Slide the unit inward until the unit is halfway in, then move it inward with a quick push. This movement easily overcomes the compression of the stabs as they engage the vertical bus.

3. Replace all barriers and cover plates and close and fasten all doors.

Insulation Test

⚠ DANGER

HAZARD OF ELECTRIC SHOCK, EXPLOSION, OR ARC FLASH

- Apply appropriate personal protective equipment (PPE) and follow safe electrical work practices. See NFPA 70E or CSA Z462.
- This equipment must only be installed and serviced by qualified electrical personnel.
- Turn off all power supplying this equipment before working on or inside equipment.
- Always use a properly rated voltage sensing device to confirm power is off.
- Replace all devices, doors, and covers before turning on power to this equipment.

Failure to follow these instructions will result in death or serious injury.

NOTICE

HAZARD OF EQUIPMENT DAMAGE

- Do not use a megohmmeter on:
 - adjustable speed drives
 - solid state soft starters
 - surge protection devices (SPDs)
 - AccuSine™ active harmonic filter units
 - PowerLogic™ solid state meters
 - capacitor units
 - any devices not designed to withstand megohmmeter voltage.
- Disconnect all solid state devices such as SPDs, drives, soft starts, capacitors, filters, and circuit monitors before performing megohmmeter tests on the MCC.

Failure to follow these instructions can result in equipment damage.

Before an MCC is re-energized (after installation or regular maintenance), take resistance measurements. Use an insulation tester (megohmmeter) with a potential of 500–1000 V.

Take readings between each phase and from each phase to ground, with the branch disconnects *off* and *on*. Make sure the main disconnect is *off* during all insulation tests.

Readings from a megohmmeter with all disconnects *off* will typically be 5–20 megohms. On new equipment that has been stored in a damp area, lower readings may occur during start-up. If the readings are below one megohm, a few branch units may be energized to help dry out the MCC. If additional readings are above one megohm, additional units may be energized. After the equipment has been in operation for 48 hours, readings should be in the 5–20 megohm range.

When megohmmeter readings are taken with the disconnects *on* (except for the main), disconnect all devices completing circuits between phases or between phases and neutral (for example, control transformers). Although readings may be slightly different, observe the one megohm lower limit during start-up.

Record all megohmmeter readings on the insulation resistance chart on 145. Any sudden change in resistance values (even within the acceptable range) may indicate potential insulation failure. Early detection and replacement of faulty insulating components helps avoid equipment damage.

If megohmmeter readings are below 5 megohms (one megohm during start-up) consult your Schneider Electric field sales representative.

Re-energize the equipment in sequence, starting with the main devices, the feeder devices next, and then the motor starter devices. (See “Energizing the MCC” beginning on page 81).

Maintenance After a Fault Has Occurred

⚠ DANGER

HAZARD OF ELECTRIC SHOCK, EXPLOSION, OR ARC FLASH

- Apply appropriate personal protective equipment (PPE) and follow safe electrical work practices. See NFPA 70E or CSA Z462.
- This equipment must only be installed and serviced by qualified electrical personnel.
- Turn off all power supplying this equipment before working on or inside equipment.
- Always use a properly rated voltage sensing device to confirm power is off.
- Replace all devices, doors, and covers before turning on power to this equipment.

Failure to follow these instructions will result in death or serious injury.

NOTE: After a fault has occurred, arc-rated MCCs must be inspected, repaired, and re-qualified by Schneider Electric Services personnel to maintain the arc containment ratings.

Excessive currents occurring during a fault may result in structure, component, bus or conductor damage. This damage is caused by mechanical distortion, thermal damage, metal deposits, or smoke from fault currents. After a fault, locate and correct the cause of the fault. Inspect all equipment and make any necessary repairs or replacements before putting the equipment into service again. Make sure all replacement parts are rated properly and are suitable for the application. If in doubt, consult your Schneider Electric field sales representative.

After any fault, perform all maintenance procedures, starting on page 82 and continuing to “Insulation Test” beginning on page 96. Also perform the following procedures after a fault:

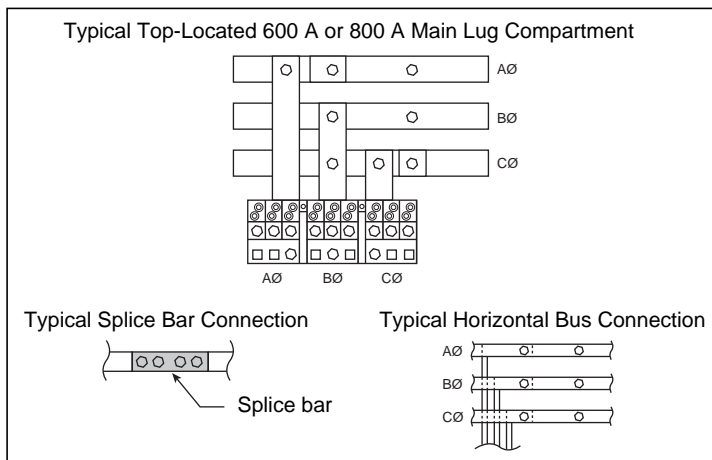
1. If the fault occurred downstream from the MCC, perform appropriate maintenance on all equipment involved.
2. Examine the enclosure. External evidence of enclosure damage usually indicates damage within. Extensive damage requires replacement of the enclosure parts and the enclosed equipment.
3. Replace any parts that are damaged or deformed. Pay particular attention to door hinges and door closing hardware. Inspect the area around any damaged units (both inside and out) for displaced parts from the damaged unit. See “Examining the Enclosure” on 82.

4. Examine bus bars and incoming line compartments; tighten all electrical connections to their proper torques. (Table 7 and Figure 113 show typical bus connection points and torque values.) Replace any deformed bus bars or connectors, as well as any showing signs of arcing damage. Inspect all insulators for cracks or burn marks; replace any displaying these characteristics.

Table 7 – Bus Connection Torque Values

Bolted Connection Location	Torque Range
Horizontal bus (all locations)	68–70 lb-ft (92.29–94.54 N•m)
Horizontal ground bus (all locations)	5–6 lb-ft (6.75–8.44 N•m)
Splice bars—0.375 in. diameter bolts	31–32 lb-ft (41.64–43.33 N•m)
Splice bars—0.5 in. diameter bolts	68–70 lb-ft (92.29–94.54 N•m)

Figure 113 –Typical Bus Connection Points



5. If the fault occurs between an upstream protection device and the section containing an ArcBlok main device, inspect line-side connections within the ArcBlok and the line-side isolation cable vault. Inspect the interior, looking for evidence of an event, including burn marks and damaged parts. Inspect the front covers, overlapping seals, dampers, springs, and gasket material in and around the vault (Figure 114). Replace any parts that are damaged or deformed. If there is evidence of damage in ArcBlok components such as the interphase barriers or phase-line lug connectors, contact Schneider Electric Services before returning the equipment to service.

Figure 114 –Inspection Points After a Fault

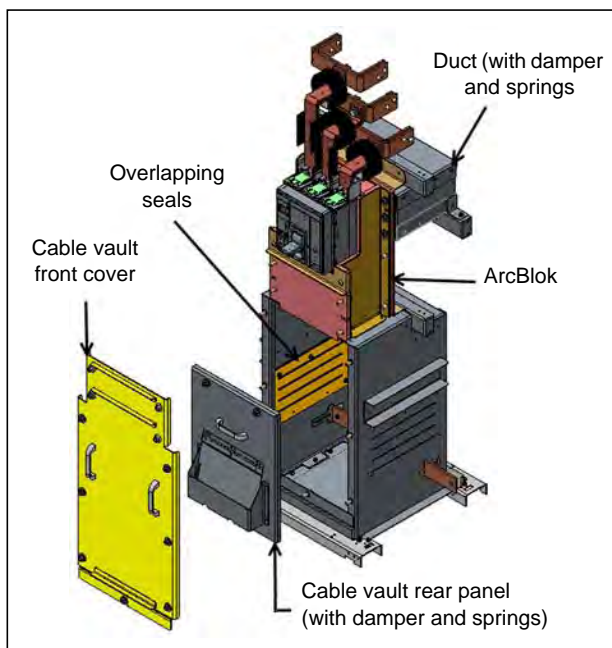


Figure 115 –Operating Door Interlock Defeat Mechanism



6. Follow maintenance procedures for control units. Begin with “Maintaining the Control Unit” beginning on page 85, and continue to “Insulation Test” beginning on page 96. Also perform the steps listed below:
 - a. Examine the disconnect means for evidence of possible damage. Ensure that the operator mechanism properly turns the disconnect *on* and *off*. Exercise the *push-to-trip* feature on circuit breakers. Make sure that the operator mechanism properly resets the circuit breaker.
 - b. Check that the door interlock keeps the unit door from opening while the disconnect is in the *on* position.

NOTE: If the unit door must be opened while the unit is energized, only authorized personnel may operate an interlock defeat mechanism (see Figure 115).

 - c. Inspect the motor starters for damage. Replace contacts and contact springs if the contacts are welded or show heat damage. If deterioration extends beyond the contacts, replace the entire contactor or starter.
 - d. Replace the complete overload relay if the thermal units are burned out, or if any indications of arcing or burning are present on the relay.

- e. Inspect all fuses and fuse clips. Replace all fuses in a set, even if only one or two are open-circuited.
 - f. Check all conductors and other devices within the units for signs of damage.
7. Complete an insulation test (see “Insulation Test” beginning on page 96) before placing the MCC back into service.
 8. Complete the “Pre-operation Checklist” beginning on page 80.
 9. Re-energize the equipment. See “Energizing the MCC” beginning on page 81.

ENGLISH

Section 7—Motor Logic™ Solid-State Overload Relay (SSOLR)

The following describes 600 V rated MCC starter units equipped with the Motor Logic solid-state overload relay. Read and understand the safety precautions at the beginning of this bulletin before you install, adjust, or perform maintenance on these units. For full details about MCC installation, refer to “Section 4—Installing the MCC” on page 24.

Figure 116 –Motor Logic SSOLR



Figure 117 –NEMA Rated Compac™ 6 Unit



Figure 118 –NEMA Rated Standard Unit



Motor Logic Retrofit Applications

⚠ DANGER

HAZARD OF ELECTRIC SHOCK, EXPLOSION, OR ARC FLASH

- Apply appropriate personal protective equipment (PPE) and follow safe electrical work practices. See NFPA 70E or CSA Z462.
- This equipment must only be installed and serviced by qualified electrical personnel.
- Turn off all power supplying this equipment before working on or inside equipment.
- Always use a properly rated voltage sensing device to confirm power is off.
- Replace all devices, doors, and covers before turning on power to this equipment.

Failure to follow these instructions will result in death or serious injury.

NOTICE

HAZARD OF EQUIPMENT DAMAGE

- **Lug Kits:**
Use only 9999 LBO and 9999 LLO purchased after 5/1/95 for Size 0, 00B, 00C, and Size 1 units.
- **Z Element:**
Do not use the 9999Z3, 9999Z2, or 9999Z1 developed for open and general enclosed starters.

Failure to follow these instructions can result in equipment damage.

Remove the starter from the unit to replace the overload (melting alloy/bi-metallic). See “Removing the Control Unit” on page 86.

Terminal blocks (OEKTTBML) should be used for applications requiring multiple passes to achieve the proper adjustment range.

Restrain looped load cabling between the overload and the terminal block with wire ties or the equivalent when terminal kits are used.

On Size 3 and 4 starter units, the overload reset button is 1-5/8 in. (41 mm) further from the unit door and may require an alternative reset assembly (80420-862-51).

Retrofitting NEMA rated Compac 6, six-inch (52 mm) units is not recommended. The Motor Logic overload relay is available factory installed in Compac 6.

On 600 V Size 1 applications, add a third wire tie between the circuit breaker and contactor near the contactor line lugs. Refer to instruction bulletin 30072-013-29 for additional information.

NOTE: For retrofit applications, contact your Schneider Electric field sales representative for assistance. Schneider Electric assumes no responsibility for the design or implementation of retrofits unless contracted to perform them.

Use copper wire only on device power and control terminals. Conductors must be sized for 60 °C or 75 °C National Electrical Code® (NEC®) ratings.

Pressure wire terminals are suitable for wire sizes #16–12 AWG, solid or stranded. Terminal instruction labels are located adjacent to the terminal block or on the wireway door.

Box lugs (on interposing power terminal blocks supplied with selected units) are suitable for wire sizes #14–8 AWG, solid or stranded. Terminal instruction labels are located adjacent to the terminal block. Table 8 provides additional termination data.

Table 8 – Lug Types and Wire Sizes

Class 9065 Motor Logic Overload Relay Size ^①	Rating	Lug Type	Wire Size ^②	Torque Values ^④
00B	1.5–4.5 A	Pressure Wire ^③	14–8 AWG (2.5–6 mm ²)	25 lb-in (2.8 N•m)
00C	3–9 A	Pressure Wire ^③	14–8 AWG (2.5–6 mm ²)	25 lb-in (2.8 N•m)
0	6–18 A	Box Lug	14–4 AWG (2.5–16 mm ²)	50 lb-in (5.6 N•m)
1	9–27 A	Box Lug	14–4 AWG (2.5–16 mm ²)	50 lb-in (5.6 N•m)
3	30–90 A	Box Lug	14–1/0 AWG (2.5–50 mm ²)	100 lb-in (11.3 N•m)
4	45–135 A	Box Lug	8–250 MCM (6–120 mm ²)	200 lb-in (22.6 N•m)
5	90–270 A	Box Lug	250–500 MCM (120–240 mm ²)	250 lb-in (28.2 N•m)
6	180–540 A	Clamp Lug	250–500 MCM (120–240 mm ²)	375 lb-in (42.4 N•m)

① Refer to the overload relay label next to the adjustment dial.

② Solid or stranded copper wire, 140 or 167 °F (60 or 75 °C), except 45 to 135 A overload relay, which is 67 °F (75 °C) wire only.

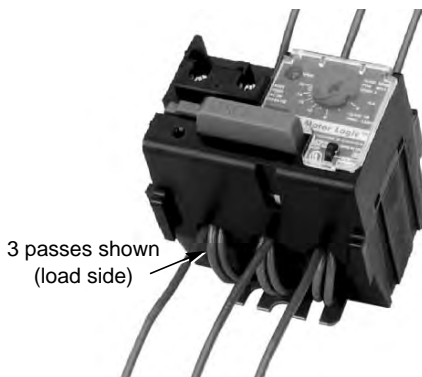
③ Box lug kit may be supplied, suitable for 14 to 4 AWG wire, 50 lb-in (5.6 N•m) tightening torque.

④ Does not apply to Compac 6 units.

Size 00B, 00C, 0, and 1 relays have conductor (CT) windows through which the motor leads must pass before being connected to the load terminals on the contactor (T1, T2, and T3). By allowing multiple passes (turns) of the load leads through these CT windows, overload protection can be provided for motors with a full-load current lower than the specified operating range.

Two passes of the load leads through each window effectively increase (by a multiple of two) the current that the overload relay senses. Three passes effectively increase the current by a multiple of three. All three conductor windows must have the same number of passes, looped in the same direction, for the overload relay to operate properly (see Figure 119).

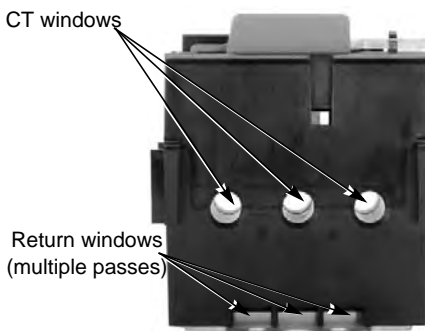
Figure 119 –Looping Passes



Passes should begin from the load side of the overload through the CT window and return via the windows provided between the baseplate and overload (see Figure 120). The final pass terminates on the load side of the contactor.

MCC units requiring multiple passes are factory supplied prelooped with #14 AWG wire and interposing terminal blocks. Refer to “Motor Logic Retrofit Applications” on page 103 for information concerning retrofit.

Figure 120 –Motor Logic Overload (Bottom View)



Adjustment

ENGLISH

⚠ DANGER

HAZARD OF ELECTRIC SHOCK, EXPLOSION, OR ARC FLASH

- Apply appropriate personal protective equipment (PPE) and follow safe electrical work practices. See NFPA 70E or CSA Z462.
- This equipment must only be installed and serviced by qualified electrical personnel.
- Turn off all power supplying this equipment before working on or inside equipment.
- Always use a properly rated voltage sensing device to confirm power is off.
- Replace all devices, doors, and covers before turning on power to this equipment.


Failure to follow these instructions will result in death or serious injury.

Turn off all power supplying this equipment before working on or inside the equipment, and follow lockout/tagout procedures. Always use a properly rated voltage sensing device to confirm the power is off.

Overload adjustment information is located on a label inside the unit door (Figure 121) of starter units equipped with the Motor Logic overload relay.

Figure 121 –Unit Adjustment Label

⚠ DANGER




HAZARD OF ELECTRIC SHOCK, BURN OR EXPLOSION

- Turn off power supplying equipment before working inside.
- For fusible switch starter units, power fuses must be selected in accordance with Article 430 of the NEC. Class RK5 fuses are recommended for NEMA rated applications.
- Use only Class J fuses for Compac™ 6 units.

Failure to follow these instructions will result in death, serious injury or equipment damage.

OPERATING INSTRUCTIONS:
For continuous-rated motors with service factors of 1.0, multiply the motor full-load current (MFLC) by the number of passes through the overload relay's windows (1,2 or 3) and set the overload relay's current adjustment dial to 90% of this value. For continuous-rated motors with service factors of 1.15 to 1.25, multiply the MFLC by the number of passes through the overload relay's windows (1,2 or 3) and set the overload current adjustment dial to this value.

SOLID - STATE OVERLOAD RELAY
CURRENT RANGE:

	SIZE 00B	1.5 - 4.5A	0.75 - 2.25A (2 PASSES)	0.5 - 1.5A (3 PASSES)
	SIZE 00C	3 - 9A	1.5 - 4.5A (2 PASSES)	1 - 3A (3 PASSES)
	SIZE 0	6 - 18A	3 - 9A (2 PASSES)	2 - 6A (3 PASSES)
	SIZE 1	9 - 27A	4.5 -13.5A (2 PASSES)	3 - 9A (3 PASSES)
	SIZE 2	15 - 45A	MULTIPLE PASSES NOT AVAILABLE	
	SIZE 3	30 - 90A	MULTIPLE PASSES NOT AVAILABLE	
	SIZE 4	45 - 135A	MULTIPLE PASSES NOT AVAILABLE	

* Passes refer to multiple looping through overload windows.
 Trip current rating is 1.25 times the overload relay's current adjustment dial setting. Instructions above assume the motor is applied at its rated ambient temperature. For other conditions, consult the motor manufacturers for current capacity. NOTE: For part winding and multi-speed applications, use the MFLC of each motor winding as a basis for overload adjustment. Trip and alarm contact ratings: NEMA A600 and NEMA P300.

80438-651-01
REV G

Section 8—Mag-Gard™, PowerPact™, and TeSys™ Motor Circuit Protector Settings

The National Electrical Code® (NEC®) and Canadian Electrical Code (CEC) require that magnetic starters, used in combination with adjustable magnetic trip-only circuit breakers, have an overload relay in each conductor. Mag-Gard, PowerPact, or TeSys Motor Circuit Protectors are the standard motor circuit protectors used in Model 6 MCCs.

Adjusting Mag-Gard, PowerPact, or TeSys Magnetic Trip Setting

The adjustable magnetic trip setting is factory-set at Lo for Mag-Gard Motor Circuit Protectors. For PowerPact H- and J-frame, and TeSys B-frame Motor Circuit Protectors, the Full Load Amp Setting (FLA) is factory set to the lowest position and the instantaneous trip setting (Im) is factory set to the Auto 1 position. For PowerPact P-frame Motor Circuit Protectors (ET1.0M electronic trip unit), the adjustable instantaneous trip setting is factory set to its lowest position. These settings may have to be adjusted for proper motor start-up. For Mag-Gard, PowerPact, and TeSys Motor Circuit Protectors, refer to the magnetic trip set-point limits outlined in the applicable national installation codes. For PowerPact H- and J-frame Motor Circuit Protectors, refer also to the *PowerPact Motor Circuit Protector Settings* instruction bulletin (48940-260-01) shipped with the equipment.

⚠ DANGER

HAZARD OF ELECTRIC SHOCK, EXPLOSION, OR ARC FLASH

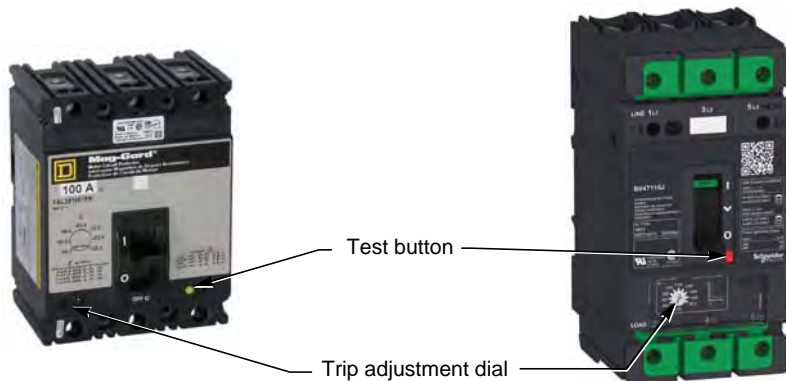
- Apply appropriate personal protective equipment (PPE) and follow safe electrical work practices. See NFPA 70E or CSA Z462.
- This equipment must only be installed and serviced by qualified electrical personnel.
- Turn off all power supplying this equipment before working on or inside equipment.
- Always use a properly rated voltage sensing device to confirm power is off.
- Replace all devices, doors, and covers before turning on power to this equipment.

Failure to follow these instructions will result in death or serious injury.

To access the Mag-Gard trip or TeSys B-frame adjustment dial:

1. Turn off all power supplying this equipment before working on or inside the equipment, and follow lockout/tagout procedures. Always use a properly rated voltage sensing device to confirm the power is off.
2. Place the unit handle in the OFF position and open the door.
3. While pushing the door interlock lever forward, trip the circuit breaker by pressing the yellow test button (see Figure 122). The disconnect handle will automatically move up, allowing access to the adjustment dial.

Figure 122 –Mag-Gard and TeSys B-frame Magnetic Trip Adjustment

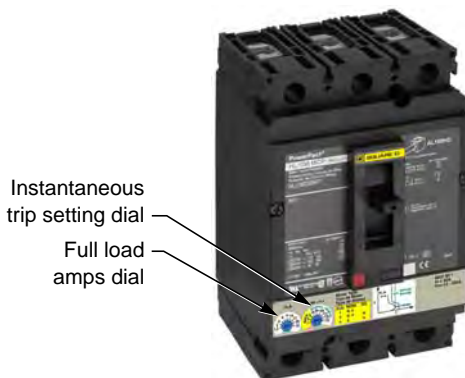


After obtaining the motor full load current from the motor nameplate, select an adjustable trip setpoint to test start the motor. Further adjustments may be required because of motor load characteristics. Refer to applicable national installation codes for permissible setpoints.

After adjusting the trip setting, reset the circuit breaker by moving the disconnect handle to the ON position and then to the OFF position.

To access the PowerPact H- and J-frame Full Load Amps (FLA) and Instantaneous Trip setting (Im) dials:

Figure 123 –PowerPact H- and J-frame Magnetic Trip Adjustment



1. Turn off all power supplying this equipment before working on or inside the equipment, and follow lockout/tagout procedures. Always use a properly rated voltage sensing device to confirm the power is off.
2. Place the unit handle in the OFF position and open the door.
3. To set the FLA and Im dials, refer to the PowerPact Motor Circuit Protector Settings instruction bulletin (48940-260-01) shipped with the equipment.

- NOTES:**
- Select replacement Mag-Gard, PowerPact, or TeSys Motor Circuit Protectors for MCCs using the voltage and current ratings listed in the Model 6 MCC Catalog (8998CT9701) in addition to the Mag-Gard, PowerPact, or TeSys selection tables in the Schneider Electric Digest.
 - These circuit breakers are suitable for motors with locked-rotor indicating code letters based on applicable national codes and standards. For other motors, consult your local Schneider Electric field sales representative.

To access the PowerPact L-frame trip adjustment dial (Isd):

1. Turn off all power supplying this equipment before working on or inside the equipment, and follow lockout/tagout procedures. Always use a properly rated voltage sensing device to confirm the power is off.
2. Place the unit handle in the OFF position and open the door.
3. Set the overcurrent trip setting by adjusting the switch labeled "Isd" as shown in Figure 124. The dial is labeled in amperes. Refer to instruction bulletin 48940-310-01, *Micrologic™ 0, 1, 2, and 3 Trip Units—User Guide* for more information on trip settings. This instruction bulletin is shipped with the equipment.

Figure 124 –PowerPact L-frame Instantaneous Trip Adjustment

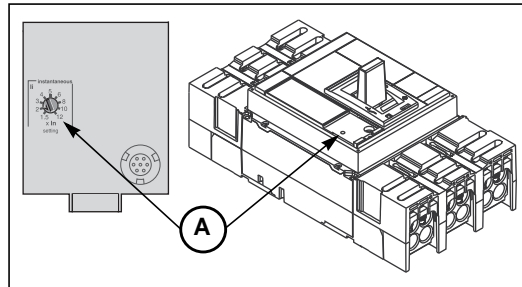


After obtaining the motor full load current from the motor nameplate, select an adjustable trip set-point to test start the motor. Further adjustments may be required because of motor load characteristics. Refer to applicable national installation codes for permissible set-points.

To access the PowerPact P-frame Instantaneous Trip setting (I_m) dial:

1. Turn off all power supplying this equipment before working on or inside the equipment, and follow lockout/tagout procedures. Always use a properly rated voltage sensing device to confirm the power is off.
2. Place the unit handle in the OFF position and open the door.
3. Make adjustments as follows:
 - a. For ET1.0I and ET1.0M electronic trip units, adjust instantaneous trip (I_i) by adjusting switch A (see Figure 125). Switch settings are multiples of the frame rating.

Figure 125 –PowerPact P-frame Instantaneous Trip Adjustment



- b. For Micrologic electronic trip units, see the instruction bulletin shipped with the circuit breaker.

After obtaining the motor full load current from the motor nameplate, select an adjustable trip set-point to test start the motor. Further adjustments may be required because of motor load characteristics. Refer to applicable national installation codes for permissible set-points.

Section 9—iMCC

This section includes instructions for the Model 6 Intelligent MCC (iMCC).

iMCC Overview

Model 6 iMCCs feature the same overall structure and unit features as Model 6 Motor Control Centers with additional “intelligent” capabilities. Two popular methods for configuring Model 6 iMCCs to customize your application are:

- iMCC-Hardwired I/O: PLC Interwiring
- iMCC-Network: Network Cabling

iMCC-Hardwired I/O: PLC Interwiring

This method offers a hardwired I/O system in the Model 6 MCC that provides basic information and control capabilities. With the I/O mounted in the MCC, the starters are wired to the I/O at the Schneider Electric manufacturing plant, and the system is tested prior to shipment.

iMCC-Network: Network Cabling

A key feature of our iMCC-Network solution is the integration of intelligent devices and device level networks for control and automation that delivers improved performance. Popular network protocols such as CANopen, DeviceNet™, Ethernet, Modbus®, and PROFIBUS communicate directly to every unit of the iMCC for an effective method of connecting centralized control to widely distributed I/O.

Networking allows for easy monitoring of critical data of each motor or load connected to the iMCC, enabling precise process control at all times. With this information, your staff can respond to potential problems proactively. Real-time access to information and records of last faults allows for simplified diagnostics and reduced downtime.

The network cabling consists of a solution that is appropriate for your selected communication network. Our industry-leading, full-depth wireway effectively separates network cabling from high voltage cabling. Additionally, our standard wireway barrier isolates the communication cabling from the load cabling routed in the vertical wireway.

Networks/Communications Overview

iMCCs contain Schneider Electric devices with communication ports. Each device has a unique internal register map. These devices may be linked together to a single point.

The Schneider Electric publications listed in Table 2 on page 17 may be useful in the setup, maintenance, and regular operation of your Model 6 iMCC. Upon request, your Schneider Electric field sales representative can provide them to you in print. Or, you can download these documents from the Technical Library at www.schneider-electric.us.

Connecting the iMCC Cabling System

Units within iMCCs are connected at the factory. The cable used varies with the network type. The pin outs for the various networks are shown in Table 9:

NOTICE

HAZARD OF EQUIPMENT DAMAGE

- Do not use excessive force when making iMCC cabling connections.
- Connections are keyed to ensure that pins are properly aligned.

Failure to follow these instructions can result in equipment damage.

Table 9 – Pin Outs for iMCC Networks

Network	Cable Color				
	Blue	White	Red	Black	Bare
Modbus (2-wire RS-485)	Signal +	Signal -	Not used		Shield
PROFIBUS	A (Neg)	B (Pos)			
DeviceNet	CAN_L	CAN_H	V +	V -	
CANopen					

Network Cabling

Factory supplied network cabling is installed in accordance with UL 845 procedures and practices, and routed in the bottom horizontal wireway.

In order to make direct connections to Class 2 or Class CM systems, install Class 2 or Class CM wiring so that it is separated from power conductors either by a barrier or a minimum space of 0.25 in. (6 mm). Route power conductors in the top horizontal wireway for maximum separation.

External network cabling must comply with Class 2 or Class CM practices under the provisions of NEC Articles 725 and 800.

Cables Between Shipping Splits

Connect the trunk line cables between shipping splits by aligning the keyways and plugging the male end of the trunk cable to the female end of the next trunk cable. Screw the coupling ring until it is hand-tight. Repeat this process until all shipping splits are connected.

Load Cables

It is recommended to route all load cables in the top horizontal wireway to keep them isolated from the communications cabling. If you route the load cables in the bottom horizontal wireway, make sure to maintain a 0.25-in. (6 mm) distance between the communications cabling and all other cabling.

Communication Networks

There are three primary ways to connect communication networks: via bridges/repeaters, programmable logic controllers (PLCs), or a direct cable connection. Follow the applicable instructions below to make the cabling connections for your Model 6 iMCC.

Bridges/Repeaters

If the PLC is not in the local area of the MCC, you will typically need to use a bridge/repeater to connect the communication network.

Terminating Resistors

In order for the communication network to operate properly, terminating resistors are required on each end of the network. If your iMCC is shipped with a bridge, repeater, and/or PLC, external terminal blocks (MCT485) are included with shipment.

Direct Cable Connection

Follow the steps below to connect a cable directly to the network via the iMCC network cable.

1. Determine which end (male or female) of the iMCC network you will attach to your cable.
2. Strip back the communication cabling insulation.
3. Based on the network, use the pin outs given in Table 10.

Table 10 – Network Connection Pin Outs

Field Connection Termination	5-Pin Female/Male	
	Modbus and PROFIBUS	DeviceNet and CANopen
Pin # 1	Shield	Shield
Pin # 2	Unused	Red
Pin # 3	Unused	Black
Pin # 4	White	White
Pin # 5	Blue	Blue

Figure 126 –Typical Cabling Scheme for Modbus® Two-Wire

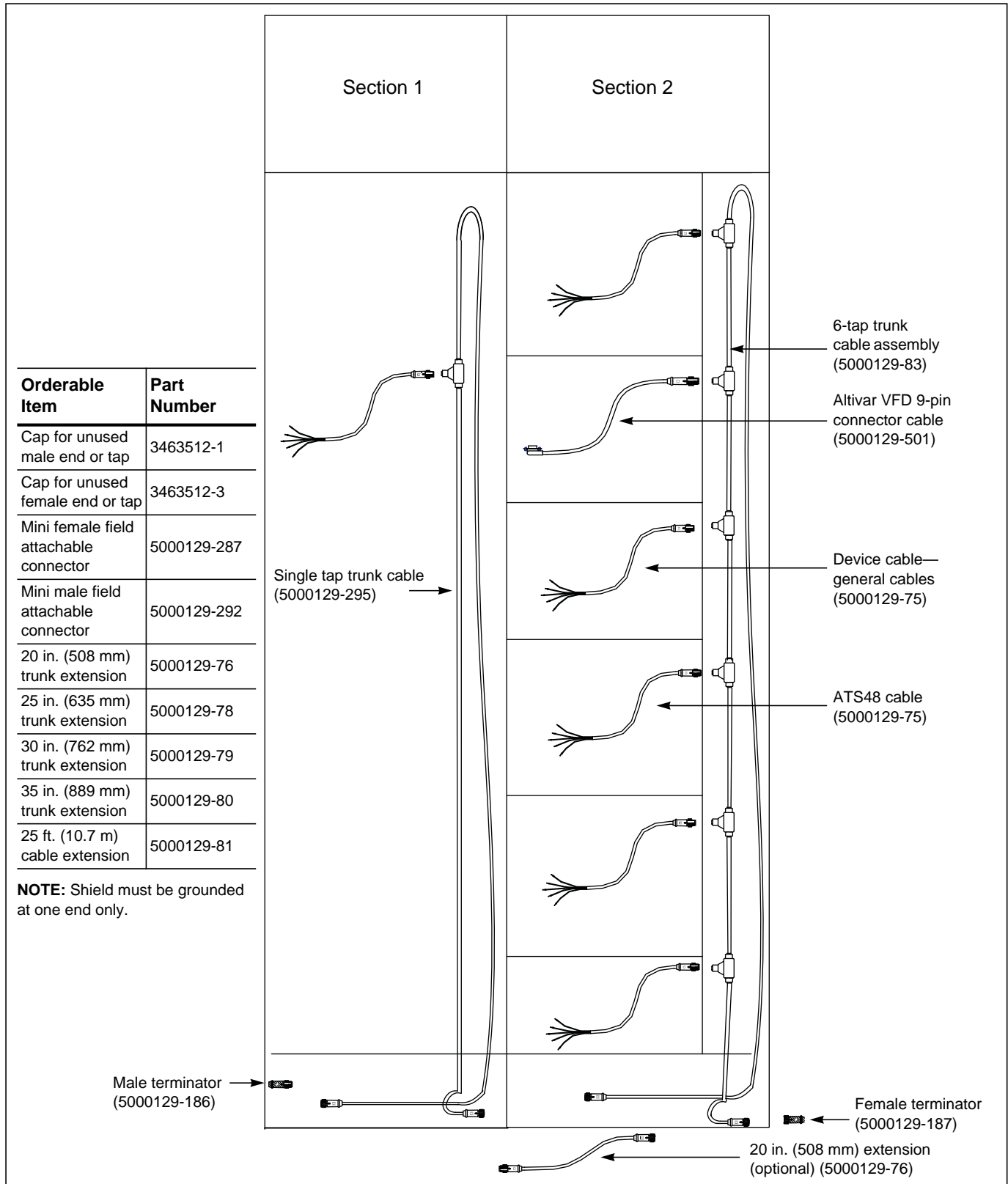


Figure 127 –Typical Cabling Scheme for DeviceNet™ and CANopen (8A cable)

ENGLISH

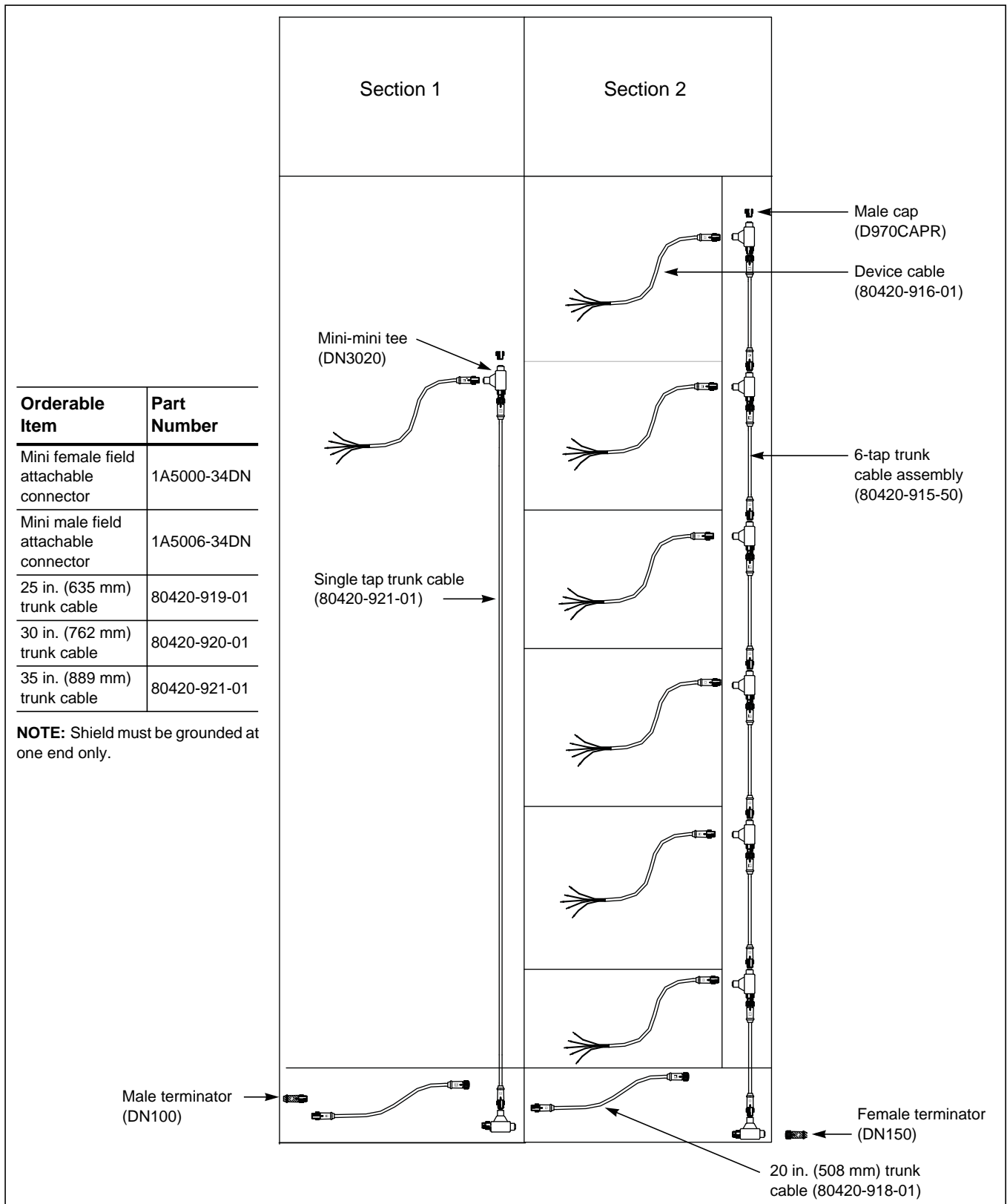
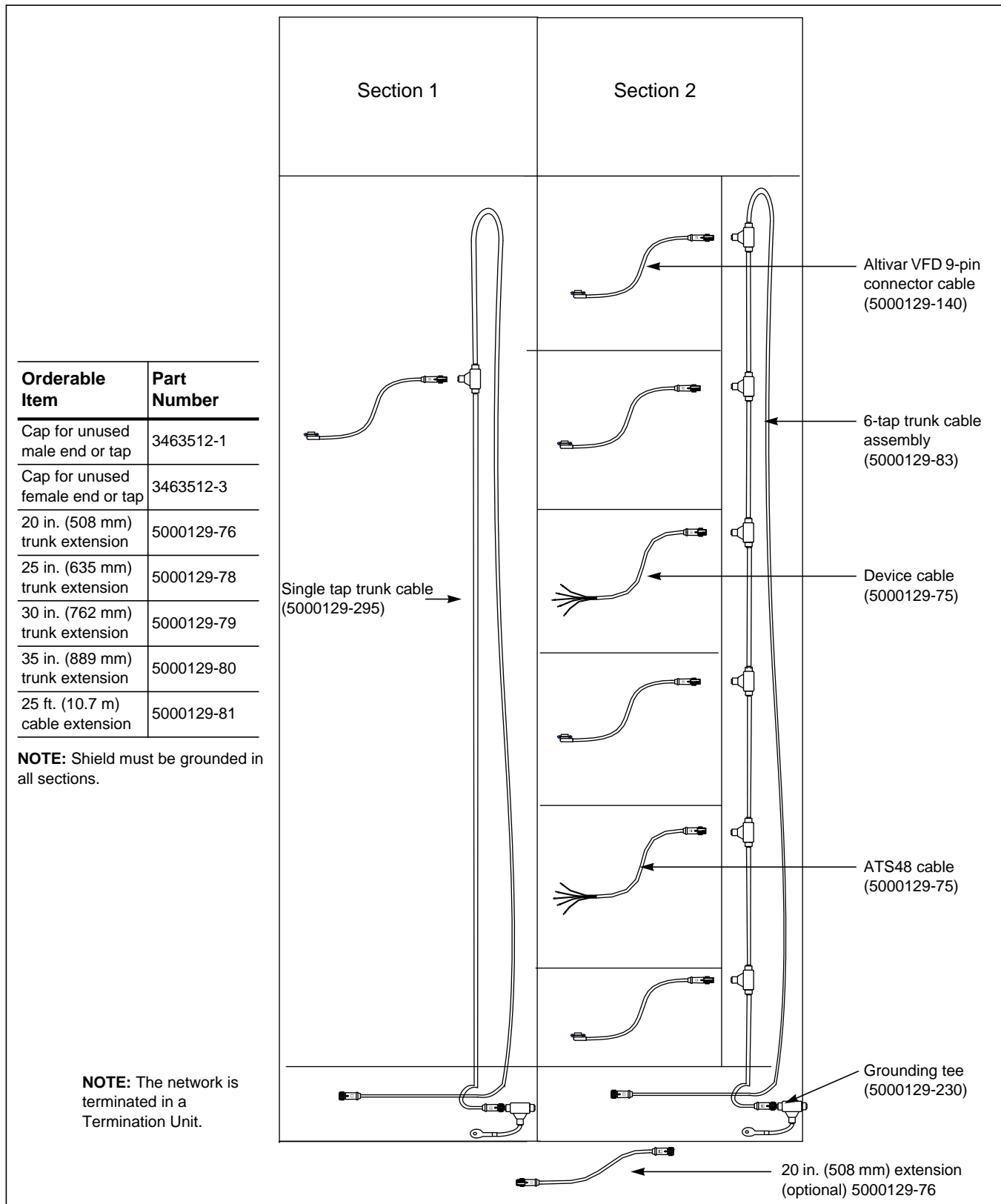


Figure 128 –Typical Cabling Scheme for PROFIBUS

ENGLISH



Operation

This section contains pre-operation checklists, energizing procedures, and remote and local programming procedures for TeSys™ T and Motor Logic Plus™ motor protection relays, PowerLogic™ ION Meter, PowerLogic Power Meter, PowerLogic Circuit Monitor, Altivar™ drives, and Altistart™ soft starts.

Pre-operation Checklists

To verify that the iMCC is operating properly, complete both of the following checklists before energizing the equipment:

MCC Structure

- ❑ Complete the maintenance procedures beginning on page 82 and continuing up to “Insulation Test” on page 96. This initial maintenance is necessary to detect any shipping damage or loose connections. Do not energize the MCC until initial maintenance is complete.
NOTE: The following maintenance procedures are not necessary before energizing the MCC for the first time: Control Unit Removal, Stab Assemblies, Starter Contacts and Barriers/Insulators.
- ❑ Perform an insulation test on the MCC (see “Insulation Test” on page 96).
- ❑ If the MCC is equipped with ground fault protection, properly adjust and test the ground fault protective device before energizing.
- ❑ Remove all blocks or other temporary holding means from the electrical devices.
- ❑ Remove any secondary shunt bars from the current transformers. Do not operate a current transformer with its secondary shunt bars open-circuited.
- ❑ Manually exercise all switches, circuit breakers, and other operator mechanisms to ensure that they are properly aligned and operate freely.
- ❑ Electrically exercise all electrically-operated switches, circuit breakers, and other mechanisms (but not under load) to ensure that the devices operate properly. This may require an auxiliary source of control power.
- ❑ Verify proper interval and contact operation of the timers.
- ❑ Set the Motor Logic Plus overcurrent setting to the maximum service factor amperage of the motor to ensure that the proper overload protection is provided. The Motor Logic Plus overcurrent threshold is set at the lowest setting at the factory. Verify that all other settings are optimized for the application.
- ❑ The Parameter Settings Sheet lists all the parameters that have been changed from the original, default settings. Any settings not shown on this sheet will retain their original, default values.
- ❑ Verify that all load and remote control connections have been made and that they agree with the wiring diagrams provided.
- ❑ Verify that all ground connections are made properly.
- ❑ Install the covers and close the doors; verify that they are all properly tightened.

iMCC Communications

<i>NOTICE</i>
<p>HAZARD OF EQUIPMENT DAMAGE</p> <ul style="list-style-type: none"> • Do not use excessive force when making cabling connections. • Connections are keyed to ensure that pins are properly aligned. <p>Failure to follow these instructions can result in equipment damage.</p>

Before energizing the equipment, check the items below to verify that the iMCC networking and cabling are set up and connected properly.

Cabling Connections

- Verify that the network length without a repeater is less than 1500 feet (457 m).
- Verify that the MCC cables are connected between shipping splits. See “Cables Between Shipping Splits” on page 112 for instructions.
- Verify that each device tap cable is properly connected to the main trunk line.
- Verify that all network connections are secure.
- Verify that terminating resistors are installed as required per network protocol.

Communications Setup

- Verify that all devices have been assigned correct addresses; see “Device Addressing” on page 130 for specific addressing parameters.

Energizing the MCC

⚠ DANGER
<p>HAZARD OF ELECTRIC SHOCK, EXPLOSION, OR ARC FLASH</p> <ul style="list-style-type: none"> • Apply appropriate personal protective equipment (PPE) and follow safe electrical work practices. See NFPA 70E or CSA Z462. • This equipment must only be installed and serviced by qualified electrical personnel. • Turn off all power supplying this equipment before working on or inside equipment. • Always use a properly rated voltage sensing device to confirm power is off. • Replace all devices, doors, and covers before turning on power to this equipment. • Review the “Pre-operation Checklists” beginning on page 117, and verify that all items check out. <p>Failure to follow these instructions will result in death or serious injury.</p>

To energize the MCC:

1. Review the “Pre-operation Checklists” on page 117 before energizing.
2. Turn off all downstream loads, including distribution equipment and other devices that are remote from the MCC.
3. Verify that all barriers, doors, and covers are closed before energizing the equipment.
4. Energize the equipment in sequence, starting with the main devices, the feeder devices next, and then the motor starter devices.

5. With all barriers in place and all unit doors closed and latched, turn on the devices with a firm, positive motion.
6. After all disconnect devices are closed, you may energize loads such as lighting circuits, starters, contactors, heaters, and motors.

Motor Logic Plus Local Programming

⚠ DANGER

HAZARD OF ELECTRIC SHOCK, EXPLOSION, OR ARC FLASH

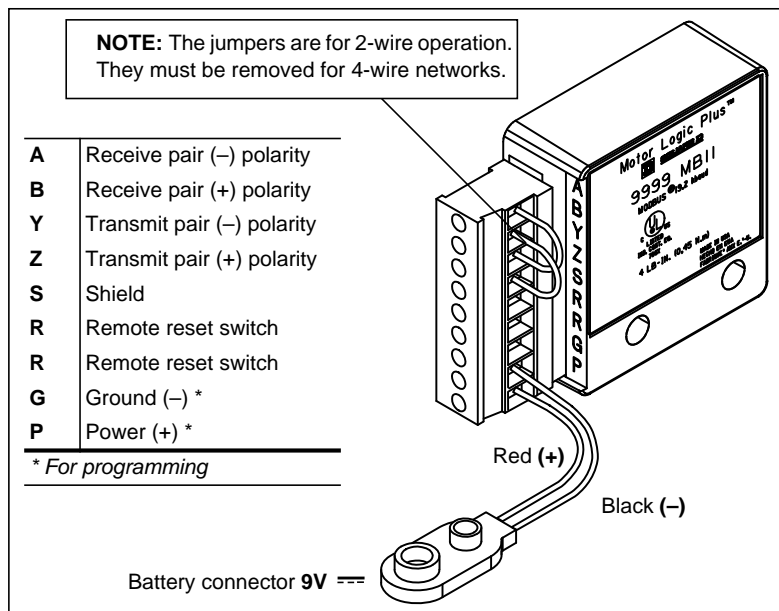
- Apply appropriate personal protective equipment (PPE) and follow safe electrical work practices. See NFPA 70E or CSA Z462.
- Turn off all power supplying this equipment before working on or inside the Motor Control Center.
- Use a properly rated voltage sensing device to confirm that all power is off. Control units must be de-energized before performing maintenance on the MCC.
- The unit disconnect switch must be locked in the “off” position before working on equipment.

Failure to follow these instructions will result in death or serious injury.

Local programming can be used for Motor Logic Plus setpoint programming and error readout purposes. Verify that the display is unlocked (the default setting), and disconnect all power before performing the steps below to accomplish local programming:

1. Turn off all power supplying this equipment before working on or inside the equipment, and follow lockout/tagout procedures. Always use a properly rated voltage sensing device to confirm the power is off.
2. Connect a 9 V supply to the “P” and “G” terminals using the supplied connector, Schneider Electric part # 80445-519-50 (see Figure 129).

Figure 129 –Motor Logic Plus Communication Module Terminals



3. Turn the “Mode Select” switch to the parameter you are programming. Refer to Schneider Electric instruction bulletin 30072-013-98_ (see “iMCC-Related Literature” on page 17) for a list of parameters.
4. Press and hold the “Reset/Program” button.
NOTE: The display will not illuminate for local programming if the “Mode Select” switch is in the “Run” position.
5. Turn the “Display/Program” dial to the desired setting as shown on the LED display.
6. Release the “Reset/Program” button.
7. Turn the “Mode Select” switch back to the “Run” position.
8. Disconnect the 9 V supply and its connector.

Error messages are displayed on the 3-digit LED display when harmful conditions are detected. Table 11 contains a list of the error message codes and their definitions.

Table 11 – Local Error Display

Displayed Message	Meaning
oc	Tripped on over current
SP	Tripped on single phasing
ub	Tripped on voltage or current unbalance
uC	Tripped on under current
cF	Tripped on contactor failure
GrF	Tripped on ground fault
HI	Tripped on high voltage
Lo	Tripped on low voltage
rP	Incoming phases have been reversed
oFF	A stop command was issued from a remote source

Motor Logic Plus Remote Programming

Remote programming can be used for setpoint programming and data acquisition purposes. Follow the steps below to remotely configure the Motor Logic Plus overload. (See Table 12 on page 121 for a description of the command line codes referenced in the steps.)

1. Stop the overload by sending code “02H” to the command register (C6H).
2. If network programming has not been enabled, send code “05H” to the command register.
3. Program the appropriate parameter. See Table 13 on page 121 for a register map with a list of parameters. For more detailed information, refer to Schneider Electric instruction bulletin 30072-013-102_. See Table 14 on page 123 and Table 15 on page 124 to determine the location and addressing of parameters within the Motor Logic Plus register map.
4. Restart the overload by using code “01H.”

Table 12 – Command Line Codes

Code	Command
01H	Start/reset
02H	Stop
03H	Display lock
04H	Display unlock
05H	Network program enable
06H	Network program disable
07H	Network watchdog enable★
08H	Network watchdog disable★

★ The network watchdog feature disables the Motor Logic Plus SSOLR when the device does not receive a valid communication within a 10 s period.

Table 13 – Motor Logic Plus Address Descriptions

Operation	Address		Code	Description	Notes
	RAM	Relative ★			
Read only (all registers are 16-bit words)	A0	1A0	VOLTAV	Average voltage L–L	V~
	A2	1A1	IAVE	Raw average current	A (x100, x10, x1), multiplied by scale factor
	A4	1A2	VUB	Voltage unbalance	0–100%
	A6	1A3	IUB	Current unbalance	0–100%
	A8	1A4	PFANGLE	Power factor angle	Degrees
	AA	1A5	CAPTY	Thermal capacity remaining	0–100%
	AC	1A6	GFC	Ground fault current	A (x100, x10, x1), multiplied by scale factor
	AE	1A7	ERCODE/TRIP RN	Real time error (RTE) and trip indicator (TI)	8-bit nibble-coded RTE; 8-bit coded TI
	B0	1A8	FH	Fault history	Fault order: 4th, 3rd, 2nd, Last
	B2	1A9	PID	Manufacture year/model and scale	8-bit year; 8-bit ID and scale
	B4	1AA	VA-C	Line voltage A–C	V~
	B6	1AB	VB-C	Line voltage B–C	V~
	B8	1AC	VA-B	Line voltage A–B	V~
	BA	1AD	IC	Raw current phase C	A (x100, x10, x1), multiplied by scale factor
	BC	1AE	IB	Raw current phase B	A (x100, x10, x1), multiplied by scale factor
	BE	1AF	IA	Raw current phase A	A (x100, x10, x1), multiplied by scale factor
	C0	1Bo	RD1	Remaining restart delay RD1	
	C2	1B1	RD2	Remaining restart delay RD2	
	C4	1B2	RD3	Remaining restart delay RD3	
	C6	1B3	COMLINE	Command line code (address C6H)	see Table 12 (write only)
C8	1B4	Scale	PowerLogic scale parameter (read only)	0, 1, 2; 16-bit signed word (2's complement, read only)	
CA	1B5	LV	Low voltage threshold	170 V~ to HV (600 V~ model; 450 V~ to HV)	
CC	1B6	HV	High voltage threshold	LV to 528 V~ (600 V~ model; LV to 660 V~)	

★ Required for PowerLogic software.

Table 13 – Motor Logic Plus Address Descriptions *(continued)*

Operation	Address		Code	Description	Notes
	RAM	Relative ★			
Read only (all registers are 16-bit words)	CE	1B7	VUB	Voltage unbalance threshold	2–15%, or 999 (off)
	D0	1B8	MULT	Effective turns ratio	Determined by model
	D2	1B9	OC	Overcurrent threshold	Current range of SSOLR
	D4	1BA	UC	Undercurrent threshold	0.5 x OC Min. to OC Max., Off
	D6	1BB	CUB	Current unbalance threshold	2–25%, or 999 (off)
	D8	1BC	TC	Overcurrent trip class	5, J5, 10, J10, 15, J15, 20, J20, 30, J30 (<i>J = Jam protection is enabled</i>)
	DA	1BD	RD1	Rapid cycle timer	2–500 s
	DC	1BE	RD2	Restart delay RD2	2–500 min.
	DE	1BF	RD3	Restart delay RD3	2–500 min.
	E0	1C0	#RU	Restarts after UC	0, 1, 2, 3, 4, A
	E2	1C1	#RF	Number of restarts	0, 1, oc1, 2, oc2, 3, oc3, 4, oc4, A, ocA (<i>0 = manual, A = continuous, oc = automatic restart after RD2 expires</i>)
	E4	1C2	UCTD	Undercurrent trip delay	2–60 s
	E6	1C3	GF	Ground fault threshold	0.15 x OC Min. to 0.2 x OC Max., Off
	E8	1C4	ADDR	RS-485 slave address	01–99

★ Required for PowerLogic software.

Table 14 – Read-Only Registers

RAM Address	Relative Address ★	Code	Description	Notes																											
A0	1A0	VOLTAV	Average voltage L-L	Volts																											
A2	1A1	IAVE	Raw average current	A (x100, x10, x1), multiplied by scale factor																											
A4	1A2	VUB★★	Voltage unbalance	0–100%																											
A6	1A3	IUB★★	Current unbalance	0–100%																											
A8	1A4	PFANGLE★★	Power factor angle	Degrees																											
AA	1A5	CAPTY★★	Thermal capacity remaining	0–100%																											
AC	1A6	GFC★★	Ground fault current	A (x100, x10, x1), multiplied by scale factor																											
AE	1A7	ERCODE/TRIPRN	Bit-real time errors and trip indicator	<table border="1"> <thead> <tr> <th>Bit #</th> <th>TRIPRN</th> <th>ERCODE</th> </tr> </thead> <tbody> <tr> <td>0</td> <td>Fault lockout</td> <td>Low voltage</td> </tr> <tr> <td>1</td> <td>Remote stop</td> <td>High voltage</td> </tr> <tr> <td>2</td> <td>Contactora failure</td> <td>Unbalance voltage</td> </tr> <tr> <td>3</td> <td>Under current</td> <td>Under current</td> </tr> <tr> <td>4</td> <td>Over current</td> <td>Phase reversal</td> </tr> <tr> <td>5</td> <td>Ground fault</td> <td>Unbalance current</td> </tr> <tr> <td>6</td> <td>Current unbalance</td> <td>Single phase voltage > 25%</td> </tr> <tr> <td>7</td> <td>Current single phase > 50% unbalance</td> <td>Single phase current > 50%</td> </tr> </tbody> </table>	Bit #	TRIPRN	ERCODE	0	Fault lockout	Low voltage	1	Remote stop	High voltage	2	Contactora failure	Unbalance voltage	3	Under current	Under current	4	Over current	Phase reversal	5	Ground fault	Unbalance current	6	Current unbalance	Single phase voltage > 25%	7	Current single phase > 50% unbalance	Single phase current > 50%
				Bit #	TRIPRN	ERCODE																									
				0	Fault lockout	Low voltage																									
				1	Remote stop	High voltage																									
				2	Contactora failure	Unbalance voltage																									
				3	Under current	Under current																									
				4	Over current	Phase reversal																									
				5	Ground fault	Unbalance current																									
6	Current unbalance	Single phase voltage > 25%																													
7	Current single phase > 50% unbalance	Single phase current > 50%																													
B0	1A8	FH★★	NIBBLE_CODED -4 fault history	<p>The four-fault history is based on the following scheme: <u>16 15 14 13 12 11 10 9 8 7 6 5 4 3 2 1</u>, where bits 1–4 = Last fault, bits 5–8 = 2nd last fault, bits 9–12 = 3rd last fault, and bits 13–16 = 4th last fault. These four bits indicate a hex value that corresponds to the following faults:</p> <table border="1"> <tbody> <tr><td>01</td><td>High voltage</td></tr> <tr><td>02</td><td>Low voltage</td></tr> <tr><td>03</td><td>N/A</td></tr> <tr><td>04</td><td>Contactora failure</td></tr> <tr><td>05</td><td>Phase reversal</td></tr> <tr><td>06</td><td>Single phase</td></tr> <tr><td>07</td><td>Ground fault</td></tr> <tr><td>08</td><td>Current unbalance</td></tr> <tr><td>09</td><td>Remote off command</td></tr> <tr><td>10</td><td>Overcurrent</td></tr> <tr><td>11</td><td>Undercurrent</td></tr> </tbody> </table>	01	High voltage	02	Low voltage	03	N/A	04	Contactora failure	05	Phase reversal	06	Single phase	07	Ground fault	08	Current unbalance	09	Remote off command	10	Overcurrent	11	Undercurrent					
				01	High voltage																										
				02	Low voltage																										
				03	N/A																										
				04	Contactora failure																										
				05	Phase reversal																										
				06	Single phase																										
				07	Ground fault																										
				08	Current unbalance																										
				09	Remote off command																										
				10	Overcurrent																										
				11	Undercurrent																										
B2	1A9	PID★★	Manufacture year, month, product type/scale	8-bit year, 4-bit month, 4-bit I/O and scale																											
B4	1AA	VA-C	Line voltage A–C	Volts																											
B6	1AB	VB-C	Line voltage B–C	Volts																											
B8	1AC	VA-B	Line voltage A–B	Volts																											
BA	1AD	IC	Raw current phase C	A (x100, x10, x1), multiplied by scale factor																											
BC	1AE	IB	Raw current phase B	A (x100, x10, x1), multiplied by scale factor																											
BE	1AF	IA	Raw current phase A	A (x100, x10, x1), multiplied by scale factor																											
C0	1B0	RD1★★	Remaining restart delay RD1	Seconds																											
C2	1B1	RD2★★	Remaining restart delay RD2	Seconds																											
C4	1B2	RD3★★	Remaining restart delay RD3	Seconds																											

★ Must be used with PowerLogic software

★★ Can only be viewed via network

Table 15 – Read/Write Registers

RAM Address	Relative Address	Code	Description	Range	Default	
C6	1B3	COM-LINE	Command Line★	Reset/run/stop, display lock, network configuration enable	Motor Logic Plus Command Register (C6 hex)	
					01H	Start/reset
					02H	Stop
					03H	Display lock
					04H	Display unlock
					05H	Network program enable
					06H	Network program disable
C8	1B4	Scale	PowerLogic scale parameter	0, 1, 1–2; 16-bit signed word (2s complement, read only)	Model dependent	
CA	1B5	LV	Low voltage threshold	170 V (450 V★) - HV setting	435	
CC	1B6	HV	High voltage threshold	LV setting - 528 V (660 V★)	500	
CE	1B7	VUB	Voltage unbalance threshold	2–15% or 999%	5%	
D0	1B8	MULT	CT/turns effective ratio	1 or 10–200	1	
D2	1B9	OC	Overcurrent threshold	OL current range	Min. rating	
D4	1BA	UC	Undercurrent threshold	0.5 x OC Min. to OC Max., Off	0.8 x OC Min.	
D6	1BB	CUB	Current unbalance threshold	2–25% or 999%	6%	
D8	1BC	TC	Overcurrent trip class	5, J5, 10, J10, 15, J15, 20, J20, 30, J30 (<i>J = Jam protection is enabled</i>)	5	5 decimal
					J5	133 decimal
					10	10 decimal
					J10	138 decimal
					15	15 decimal
					J15	143 decimal
					20	20 decimal
					J20	148 decimal
					30	30 decimal
J30	158 decimal					
DA	1BD	RD1	Rapid cycle timer	2–500 seconds	10	
DC	1BE	RD2	Restart delay all faults except undercurrent	2–500 minutes	8	
DE	1BF	RD3	Restart delay after undercurrent	2–500 minutes	20	
E0	1C0	#RU	# Restarts after undercurrent	0, 1, 2, 3, 4, A (Automatic)	RU Values	
					8.1	0–4 in decimal
					8.2	A = 255 decimal
E2	1C1	#RF	# Restarts all faults except undercurrent	0, 1, oc1, 2, oc2, 3, oc3, 4, oc4, A, ocA (<i>0 = manual, A = continuous, oc = automatic restart after RD2 expires</i>)	RF Values	
					0	1 decimal
					1	2 decimal
					oc1	3 decimal
					2	4 decimal
					oc2	5 decimal
					3	6 decimal
					oc3	7 decimal
					4	8 decimal
					oc4	9 decimal
					A	10 decimal
ocA	11 decimal					
E4	1C2	UCTD	Undercurrent trip delay	2–60 seconds	5	
E6	1C3	GF	Ground fault current threshold	(0.4) AOL current range or Off	0.15 x Min.	
E8	1C4	ADDR	RS-485 slave address	01–99	1	

★ Can only be viewed via network

TeSys™ T Motor Management Controller

Figure 130 –TeSys T Controllers



Modbus®



DeviceNet™



PROFIBUS



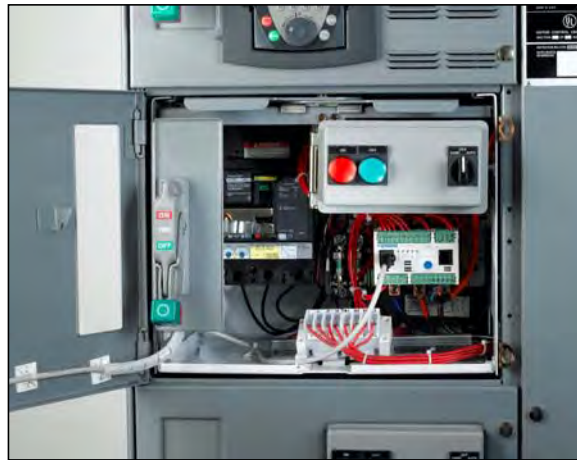
Ethernet



CANopen

The following describes MCC starter units equipped with the TeSys T Motor Management Controller. Read and understand the safety precautions at the beginning of this bulletin before you install, adjust, or perform maintenance on these units. For full details about MCC installation, refer to “Section 4—Installing the MCC” on page 24.

Figure 131 –NEMA Rated Control Unit (TeSys T Modbus)



TeSys T Retrofit Applications

⚠ DANGER

HAZARD OF ELECTRIC SHOCK, EXPLOSION, OR ARC FLASH

- Apply appropriate personal protective equipment (PPE) and follow safe electrical work practices. See NFPA 70E or CSA Z462.
- This equipment must only be installed and serviced by qualified electrical personnel.
- Turn off all power supplying this equipment before working on or inside equipment.
- Always use a properly rated voltage sensing device to confirm power is off.
- Replace all devices, doors, and covers before turning on power to this equipment.

Failure to follow these instructions will result in death or serious injury.

NOTE: For retrofit applications, contact your local Schneider Electric representative for assistance. Schneider Electric assumes no responsibility for the design or implementation of retrofits unless contracted to perform them. See Schneider Electric data bulletin no. 8998DB1004 for upgrade of the Motor Logic™ Plus or Motor Logic Plus II solid state overload relay to the TeSys™ T motor management system.

Remove the starter from the unit to replace the overload (melting alloy/bi-metallic). See “Removing the Control Unit” on page 86.

Terminal blocks (OEKTTBML) should be used for two-speed applications requiring multiple passes to achieve the proper adjustment range.

Restrain looped load cabling between the TeSys T controller and the terminal block with wire ties (or the equivalent) when terminal kits are used.

On 600 V Size 1 applications, add a third wire tie between the circuit breaker and contactor near the contactor line lugs. Refer to instruction bulletin 30072-013-29 for additional information.

Use copper wire only on device power and control terminals. Conductors must be sized for 60 °C or 75 °C National Electrical Code® (NEC®) ratings.

Pressure wire terminals are suitable for single conductor wire sizes #24–14, solid or stranded. Two conductor wire size is #24–18. Terminal instruction labels are located adjacent to the terminal block or on the wireway door.

Applications Requiring Turns

There are some applications that require more than one wiring turn through the TeSys T controller.

- All NEMA Size 4 applications require three passes through separately mounted current transformers (CTs) rated 300:5.
- Certain two-speed constant or variable torque applications require two passes through the TeSys T conductor (CT) windows through which the motor leads must pass before being connected to the load terminals on the contactor (T1, T2, and T3). These two-speed constant or variable torque applications are for NEMA Size 1 (3/4 HP, 480 V) and all NEMA Size 2. By allowing multiple passes (turns) of the load leads through these CT windows, protection can be provided for motors with a full-load current lower than the specified operating range. Two passes of the load leads through each window effectively increase (by a multiple of two) the current that the TeSys T senses.
- All three conductor windows must have the same number of passes, looped in the same direction, for the TeSys T to operate properly.
- Passes should begin from the load side of the TeSys T through the CT window, and return via the windows provided between the baseplate and the TeSys T. The final pass terminates on the load side of the contactor.
- MCC units requiring multiple passes are factory supplied pre-looped with #14 wire and interposing terminal blocks. Refer to “TeSys T Retrofit Applications” on page 126 for information concerning retrofit.

TeSys T Local Programming

⚠ DANGER

HAZARD OF ELECTRIC SHOCK, EXPLOSION, OR ARC FLASH

- Apply appropriate personal protective equipment (PPE) and follow safe electrical work practices. See NFPA 70E or CSA Z462.
- Turn off all power supplying this equipment before working on or inside the Motor Control Center.
- Use a properly rated voltage sensing device to confirm that all power is off. Control units must be de-energized before performing maintenance on the MCC.
- The unit disconnect switch must be locked in the “off” position before working on equipment.

Failure to follow these instructions will result in death or serious injury.

Local Programming can be used for set point programming and error readout purposes. Configure the TeSys T by using PowerSuite™ software, SoMove software, or an HMI (display) to set the parameters.

The Parameter Settings Sheet lists all the parameters that have been set by the factory specific to each device application. Any settings not shown on the Parameter Settings Sheet will be retained at device default values. To return the TeSys T controller to its default settings, press and hold the Test / Reset button down for 16–20 seconds.

NOTE: The TeSys T requires power for configuration.

Configuring with HMI

The HMI may be supplied either as a unit-mounted option, or as a separate, handheld programming kit containing one HMI and one 3.3 ft. (1 m) connection cable.

1. Connect the HMI to the TeSys T unit:
 - If supplied as a unit-mounted option, the connection will be made at the factory.
 - or
 - Connect the programming kit directly to the 'LTME or HMI' port on the front of the TeSys T controller.
 - or
 - Connect the programming kit via the optional, unit-mounted RJ-45 port.
2. Input Full Load Current (FLC):
 - Using the HMI, go to Menu>Protection Settings>Thermal>Thermal Overload>FLC1

NOTE: For additional details, refer to the *TeSys T LTM CU Control Operator Unit User's Manual* and the *TeSys T LTM R Motor Management Controller User's Manual* specific to your network communication protocol. (See "iMCC-Related Literature" on page 17 for the document numbers.)

Configuring with PowerSuite™ Software

The PowerSuite Software kit contains one PowerSuite CD, one USB-to-RS-485 converter, and one 10 ft. (3 m) cable.

1. Install the PowerSuite software on your PC.
2. Set the top switch on the converter to 0-TER MULT.
3. Set the Polarization switch on the side of the converter to OFF.
4. Connect one end of the cable to the RJ-45 port on the converter.
5. Connect the other end of the cable to the TeSys T controller.
6. Connect the USB connector on the converter to a USB port on your PC. (The converter uses the UniTelway/Modbus driver that is included with PowerSuite.)
7. Set the full load current (FLC)
 - Go to Settings -> Thermal -> FLC1 (OC1)
 - Enter FLC1 as a % of FLCmax.
8. Convert the amperes to FLC Settings
 - FLC values are stored as a percentage of FLCmax in the TeSys T:

$$\text{FLC (in \%)} = \text{FLC (in A)} / \text{FLCmax}$$

NOTE: For details about the PowerSuite software, refer to the *TeSys T LTM R Motor Management Controller User Manual* specific to your network communication protocol. Verify the proper configuration of the TeSys T controller per your application.

Configuring with SoMove Software

For details about the SoMove software, refer to the *TeSys T LTM R Motor Management Control User Manual* specific to your network communication protocol.

PowerLogic ION Meter

Instructions for programming the PowerLogic ION 9000 Series meters are contained in Schneider Electric instruction bulletin 7EN02-0390.

PowerLogic™ Power Meter Series 800, 5500, 8000

Instructions for performing local and remote programming for the Power Meter Series 800 are contained in Schneider Electric instruction bulletins 63230-500-200 and 63230-500-224 (see the “iMCC-Related Literature” table on page 17).

Instructions for performing local and remote programming for the Power Meter Series 5500 are contained in Schneider Electric instruction bulletin HRB1684301 (see the “iMCC-Related Literature” table on page 17).

Instructions for performing local and remote programming for the Power Meter Series 8000 are contained in Schneider Electric instruction bulletin 7EN02-0336 (see the “iMCC-Related Literature” table on page 17).

PowerLogic Circuit Monitor

Instructions for performing local and remote programming for the Circuit Monitor 3000 or Circuit Monitor 4000 series are contained in Schneider Electric instruction bulletin 63230-400-204 or 63230-300-209, respectively (see the “iMCC-Related Literature” table on 17).

Altivar™ 61/71

Instructions for performing local setpoint programming are contained in Schneider Electric instruction bulletin atv71_Programming_Manual_en (see the “iMCC-Related Literature” table on page 17).

Instructions for performing remote setpoint programming are contained in Schneider Electric instruction bulletin atv71_Parameters_en (see the “iMCC-Related Literature” table on page 17).

Altivar 630/930

Instructions for performing local or remote programming for the Altivar 630 drive are contained in Schneider Electric instruction bulletin EAV64318 (see the “iMCC-Related Literature” table on page 17).

Instructions for performing local or remote programming for the Altivar 930 drive are contained in Schneider Electric instruction bulletin NHA80757 (see the “iMCC-Related Literature” table on page 17).

Altistart™ 48

The Altistart 48 is factory set to operate without adjustment along with many applications. The Altistart 48 is set up with the following parameters:

Protocol	Address	Speed	Format	Parity
Modbus RTU	Customer defined	19,200 baud	8 data bits, 1 stop bit	Even

Two switches on the back of the keypad provide three levels of access to the parameters. Each can be set to avoid adjustment of the parameters, as is the case when shipped from the factory. The parameters are locked at the factory to avoid accidental modification. To adjust parameters, you must first remove the communications module from the front of the unit door, and then change the DIP switch settings.

ENGLISH

Powerpact™ Circuit Breakers with Micrologic™ Trip Units

Instructions for performing local or remote programming of the Micrologic trip unit parameters can be found in Schneider Electric instruction bulletin 48940-313-01, *PowerPact™ H-, J-, and L-Frame Circuit Breakers with Micrologic™ Trip Units—User Guide*.

Device Addressing

Unless specified otherwise, MCC devices are assigned addresses starting from 2.

Protocol	Maximum Number of Addressable Nodes	Address Range	Address to Avoid
Modbus	31	2–247	127
PROFIBUS	126	2–125	126
DeviceNet	64	2–62	63
CANopen	127	2–126	127

Software

Configurable software—such as PowerLogic System Manager Software, Ecoreach, PowerSuite, Motor Logic Plus Solutions, or SoMove—is available for communication with your intelligent Model 6 iMCC components. For setup, operating, and maintenance instructions, consult the user manual included with your software package.

Network Security

⚠ WARNING
<p>POTENTIAL COMPROMISE OF SYSTEM AVAILABILITY, INTEGRITY, AND CONFIDENTIALITY</p> <ul style="list-style-type: none"> • Change default passwords to help prevent unauthorized access to device settings and information. • Disable unused ports/services and default accounts, where possible, to minimize pathways for malicious attacks. • Place networked devices behind multiple layers of cyber defenses (such as firewalls, network segmentation, and network intrusion detection and protection). • Use cybersecurity best practices (for example: least privilege, separation of duties) to help prevent unauthorized exposure, loss, modification of data and logs, interruption of services, or unintended operation. <p>Failure to follow these instructions can result in death, serious injury, equipment damage, or data loss.</p>

Section 10—Expansion

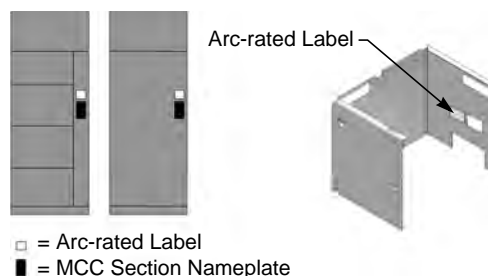
The modular design of MCCs permits easy expansion to keep pace with an expanding electrical system. When space is available in the existing MCC, starter units can easily be added. When no more starter unit mounting space is available, vertical sections can be added to provide additional space. All prepared spaces or leftover spaces must be filled with arc-rated empty units on arc-rated Model 6 MCCs.

Starter units may be rearranged or replaced with larger units. In most cases, a Size 2 starter unit can replace a Size 1 unit with no change in mounting space.

Ordering Information

NOTE: Arc-rated MCCs must only be expanded or added onto with arc-rated units/sections to maintain the arc containment ratings. Arc-rated units and sections have special labels identifying them as AR (arc-rated), typically in the locations shown in Figure 132. Customer must provide the previous arc-rated MCC factory order number when ordering additional arc-rated MCC equipment from the factory.

Figure 132 –Typical Arc-Rated Label Locations on Sections and Units



When ordering additional MCC equipment, include the following information:

- Type of equipment being supplied
- Supply voltage, frequency, system type
- Enclosure type
- Enclosure finish
- Control circuit voltage and frequency
- Optional control circuit components required (control transformers, push buttons, pilot lights, selector switches, etc.)
- Special features
- The factory order number of the original MCC (the number is stamped into the structure nameplate on the vertical wire trough door; the unit label inside each control unit also contains the factory order number)

When ordering new vertical sections, also provide the following information:

- Horizontal and vertical bus capacity, material, and plating
- Bus bracing (or available fault current)
- Enclosure dimensions

⚠ DANGER**HAZARD OF ELECTRIC SHOCK, EXPLOSION, OR ARC FLASH**

- Apply appropriate personal protective equipment (PPE) and follow safe electrical work practices. See NFPA 70E or CSA Z462.
- This equipment must only be installed and serviced by qualified electrical personnel.
- Turn off all power supplying this equipment before working on or inside equipment.
- Always use a properly rated voltage sensing device to confirm power is off.
- Replace all devices, doors, and covers before turning on power to this equipment.

Failure to follow these instructions will result in death or serious injury.

Modifying MCC Units

Most MCC units are designed for easy removal from the MCC structure. Some units are not removable due primarily to the physical size of the unit.

De-Energizing Equipment and Identifying Unit Type

Identify whether the unit intended for modification is a removable style or a fixed position unit. All removable units have stab connections to the vertical bus as shown on the electrical schematics and one-line diagrams provided with the MCC. Most removable units also have a twin handle cam mechanism (see Figure 95 on page 88). One notable exception is the Compac™ 6 control unit (see Figure 101 on page 90), which is removable but does not have the twin handle cam mechanism.

NOTE: Modifications to arc-rated MCC units or structures can adversely affect the arc containment features and/or performance. Modifications to control circuit wiring are allowed. Modifications specifically covered in this instruction bulletin are allowed. However, additional components, changes to the power circuit, or mechanical modifications to the unit saddle or MCC exteriors must be approved by Schneider Electric. Contact your local Schneider Electric representative for more information.

If the unit is removable, follow the instructions below. If the unit is a fixed position unit, follow the instructions for “Modifying Fixed Units” below.

Modifying Removable Units

1. Turn off all power supplying this equipment before working on or inside the equipment, and follow lockout/tagout procedures. Always use a properly rated voltage sensing device to confirm the power is off.
2. Remove the MCC unit from the structure. See the procedure for “Maintaining the Control Unit” on page 85 of this manual.
3. Perform the required modifications. Use thread-forming screws to mount devices. Do not use bolts and nuts, as they could loosen over time and cause property damage or personal injury. The hardware must not extend beyond the back of the MCC unit saddle more than 0.25 in. (6 mm) or beyond the sides and bottom pan by more than 0.125 in. (3 mm).
4. Make sure that proper electrical spacing¹ between uninsulated live parts of opposite polarity and an exposed or uninsulated dead metal part is maintained.

5. Use a vacuum cleaner to remove all debris left in the unit as a result of the modifications. Do not use compressed air to blow out the unit, because all debris may not be fully removed.
6. Perform the recommended maintenance procedures beginning on 85 of this manual.
7. Ensure that vertical bus closing plugs are in place (with the exception of one plug where the MCC unit will stab on the vertical bus). If other vertical bus closing plugs are not in the proper position, ensure that all power is removed from the vertical bus and reinstall the vertical bus closing plugs.
8. Use a megohmmeter to perform an insulation test as outlined on 96.
9. Look for and clear any obstructions that would not permit proper energizing of the MCC unit.
10. Reinstall the MCC unit and follow the procedures for “Energizing the MCC” on page 81 of this manual.

Modifying Fixed Units

1. Turn off all power supplying this equipment before working on or inside the equipment, and follow lockout/tagout procedures. Always use a properly rated voltage sensing device to confirm the power is off.
2. If drilling holes in the back of the MCC unit saddle is required, do not drill through the back of the saddle more than 0.1875 in. (5 mm). Use a drill stop device for this procedure.
3. Perform the required modifications. Use thread-forming screws to mount devices. Do not use bolts and nuts, as they could loosen over time and cause property damage or personal injury. The hardware must not extend beyond the back of the MCC unit saddle more than 0.25 in. (6 mm) or beyond the sides and bottom pan by more than 0.125 in. (3 mm).
4. Make sure that proper electrical spacing¹ between uninsulated live parts of opposite polarity and an exposed or uninsulated dead metal part is maintained.
5. Use a vacuum cleaner to remove all debris left in the unit as a result of the modifications. Do not use compressed air to blow out the unit, because all debris may not be fully removed.
6. Perform the recommended maintenance procedures beginning on 85 of this manual.
7. Use a megohmmeter to perform an insulation test as outlined on 96.
8. Follow the procedures for “Energizing the MCC” on page 81.

¹ Electrical spacings are specified in UL 845, Tables 18 and 19. Electrical spacing in a control or metering circuit or within a motor control unit (251–600 V) is 0.375 in. (10 mm) through air and 0.50 in. (13 mm) over surface; for power circuits of main and feeder units, it is 1 in. (25 mm) through air and 2 in. (51 mm) over surface.

ENGLISH

Installing Additional MCC Units

1. Turn off all power supplying this equipment before working on or inside the equipment, and follow lockout/tagout procedures. Always use a properly rated voltage sensing device to confirm the power is off.
2. Position the midshelf (Figure 133, Item A) in the appropriate area of the structure.

NOTE: Arc-rated MCCs have a midshelf specifically designed for arc-rated MCCs (see Figure 134 on page 134). This midshelf includes arc pressure relief flaps and must be used when installing arc-rated MCC units to maintain the arc containment ratings.

Figure 133 –Shelf and Door Installation

Table 16 – Shelf Installation Kit Parts			
Description	Qty	Assemble per	Item
Shelf	2 ^①	Steps 2 and 3	A
Flat head screws	4	Step 3	D
Unit door	1	Step 4	F
Hex head screws	4 ^②	Steps 4 and 5	H
Quarter turn fastener receptacle	2 ^②	Step 5	J

① Shelves are furnished with order. Structure may already have shelf mounted in position.

② All necessary hardware for typical shelf installation is included. Door installation may require additional hardware.

Figure 134 –Midshelf for Arc-Rated MCCs



3. Place the mounting foot (Figure 133, Item B) of the shelf into the mounting pan slots (Item C). Secure the shelf at the mounting foot end, the left side, and the right side with flat head screws (Detail A, Item D).
4. Install the hinge leaves of the door (Detail A, Item E) into the hinge slots (Item G), which are on the structure corner channel. Fasten the hinge leaves to the structure corner channel using hex head screws (Item H).
5. Install fastener receptacles (Detail B, Item J) into the bracket slots (Item K) and fasten with hex head screws (Item H).
6. If a grommeted wireway barrier is supplied, locate the vertical wire trough grommet (see Figure 135) nearest the bottom of the control unit. Cut the grommet following the instructions on the grommet. See the second paragraph under “Load and Control Wiring” on page 75.

Figure 135 –Cutting the Vertical Wire Trough Grommet (when supplied)



7. Remove the manual bus shutter(s) (see Figure 136) to allow insertion of the new control unit; slide out the top bus shutter.

NOTE: Do not remove the tether.

Figure 136 –Removing the Manual Bus Shutter



8. Insert unit into MCC as follows:

All Units Except Compac 6 (6-inch-high) Units

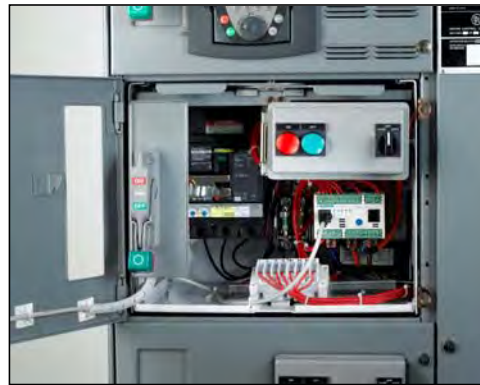
- a. Confirm the cam mechanism is in the open position; position the mounting slides of the control unit onto the slots of the mid-shelf. Slide the unit inward to engage the cam mechanism (see Figure 137).

Figure 137 –Engaging the Cam Mechanism



- b. Press the handles inward until they are flush with the face of the MCC (see Figure 138).

Figure 138 –Handles Flush with the Front of the MCC



- c. Turn the screw on the control unit lock-in panel (when supplied) located at the bottom front of the control unit (see Figure 139), until the lock-in pawl is latched to the support shelf below the control unit.

Figure 139 –Tightening the Control Unit Lock-in Panel (when supplied)

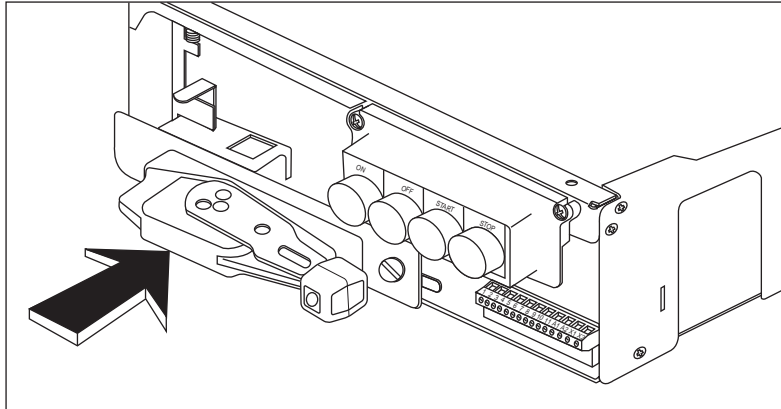


Compac 6 (6-inch-high) Units

- a. Position the mounting slides of the control unit onto the slots of the mid-shelf. Slide the unit inward until the unit is halfway in, then move it inward with a quick push. This movement easily overcomes the compression of the stabs as they engage the vertical bus (Figure 140).

NOTE: The interlock is spring loaded and engages automatically when the control unit is inserted with a firm push to the operator handle. Pressing the structure interlock release is not necessary.

Figure 140 –Reinstalling the Compac 6 Control Unit



9. Pull the power leads from the vertical wire trough through the grommet and into the control unit.

All Units Except Compac 6 (6-inch-high) Units

- a. Connect the power leads to the power terminals in the control unit (see Figure 141).

NOTE: To provide additional working clearance, grasp the control station plate on the right side and pull gently, allowing it to hinge open (see Figure 143 on page 138).

Figure 141 –Power Leads Connected to Power Terminals

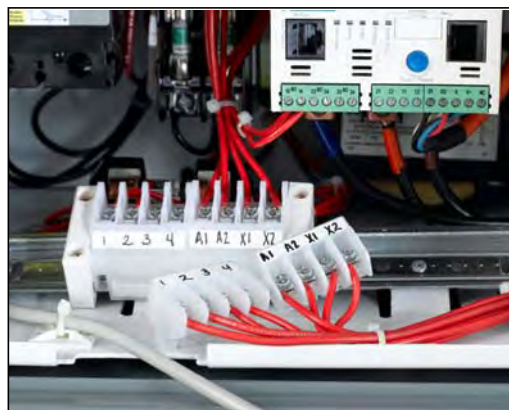
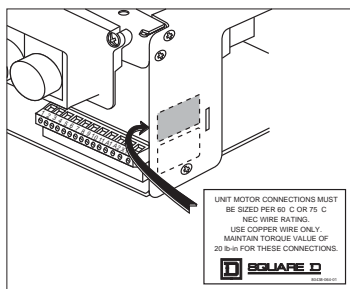


Figure 142 –Typical Unit Torque Label



Compac 6 (6-inch-high) Units

- a. Connect the power leads to the power terminals on the starter. Refer to the torque label on the right inside wall of the unit for load terminal wire and torque requirements (see Figure 142).

NOTE: Removal of the control station plate may be necessary to install power and control wiring. For detailed steps, refer to Step 4 on page 91.

10. Pull the control leads from the vertical wire trough through the grommet and connect them to the terminals of the top (removable) portion of the control pull-apart terminal blocks (see Figures 143 and 144).

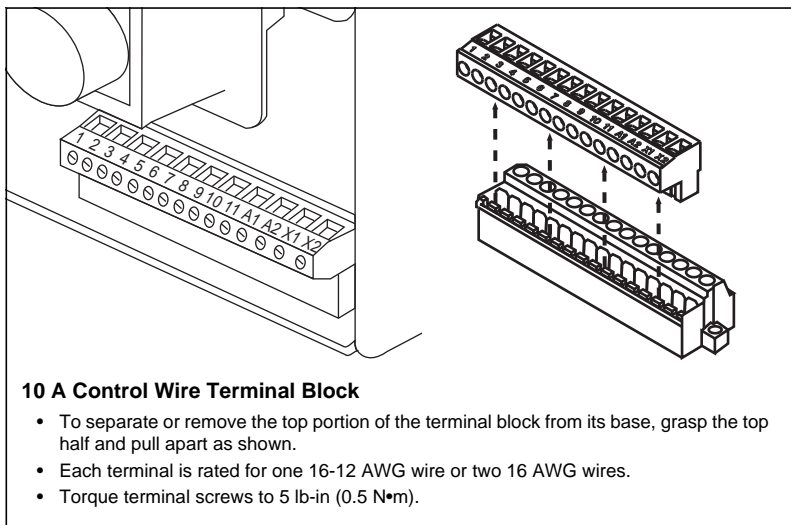
All Units Except Compac 6 (6-inch high) Units

Figure 143 –Connecting Control Leads to the Terminal Blocks



Compac 6 (6-inch) Units

Figure 144 –Pull-apart Terminals



NOTE: If removal of the control station plate was necessary, reinstall the plate by reversing the steps used to remove the plate (Step 4 on page 91).

11. Close the unit door and secure the fasteners.

Section 11—Troubleshooting

⚠ DANGER

HAZARD OF ELECTRIC SHOCK, EXPLOSION, OR ARC FLASH

- Apply appropriate personal protective equipment (PPE) and follow safe electrical work practices. See NFPA 70E or CSA Z462.
- This equipment must only be installed and serviced by qualified electrical personnel.
- Turn off all power supplying this equipment before working on or inside equipment.
- Always use a properly rated voltage sensing device to confirm power is off.
- Replace all devices, doors, and covers before turning on power to this equipment.

Failure to follow these instructions will result in death or serious injury.

The following table lists problems encountered with MCCs, their causes, and remedies. This table is of a general nature and covers only the main causes of problems.

Misapplication of a device can result in serious problems; however, rather than list this cause repeatedly below, note that misapplication is a major cause of motor control problems and must always be questioned when a device is not functioning properly.

Actual physical damage or broken parts can usually be quickly located and replaced. Damage caused by water or flood conditions requires special treatment. Contact your Schneider Electric field sales representative.

NOTE: Damaged, arc-rated MCCs must be inspected, repaired, and re-qualified by Schneider Electric Services personnel to maintain the arc containment ratings.

Table 17 – Motor Control Center Troubleshooting Chart

Part	Problem	Cause	Remedy
Contacts	Contact Chatter (also see Noisy Magnet)	<ol style="list-style-type: none"> Poor contact in the control circuit. Low voltage. 	<ol style="list-style-type: none"> Replace the contact device or use a holding circuit interlock (3-wire control). Check the coil terminal voltage and voltage dips during starting.
	Welding or Freezing	<ol style="list-style-type: none"> Abnormal inrush of current. Rapid jogging. Insufficient tip pressure. Low voltage which prevents the magnet from sealing. Foreign matter prevents the contacts from closing. Short circuit or ground fault. 	<ol style="list-style-type: none"> Check for grounds, shorts, or excessive motor load current, or use larger contactor. Install a larger device rated for jogging service. Replace contacts and springs. Check contact carrier for deformation or damage. Check the coil terminal voltage and voltage dips during starting. Clean the contacts with an environmentally safe (CFC-free) contact cleaner. Remove the fault. Ensure that the fuse and circuit breaker sizes are correct.
	Short Trip Life or Overheating or Trips	<ol style="list-style-type: none"> Filing or dressing. Interrupting excessively high currents. Excessive jogging. Weak tip pressure. Dirt or foreign matter on the contact surface. Short circuit or ground fault. Loose connection in the power circuit. Sustained overload. 	<ol style="list-style-type: none"> Do not file the silver tips; rough spots or discoloration do not harm tips or impair their efficiency. Install a larger device or check for grounds, shorts, or excessive motor currents. Install a larger device rated for jogging service. Replace contacts and springs; check the contact carrier for deformation or damage. Clean contacts with an environmentally safe (CFC-free) contact cleaner. Reduce the entry of foreign matter into the enclosure. Remove the fault; ensure that the fuse and circuit breaker sizes are correct. Clear and tighten the connection. Check for excessive motor load current or install a larger device.
Coils	Open Circuit	Mechanical damage.	Replace the coil; handle and store replacement coils carefully.
	Overheated Coil	<ol style="list-style-type: none"> Overvoltage or high ambient temperature. Incorrect coil. Shorted turns caused by mechanical damage or corrosion. Undervoltage; failure of the magnet to seal in. Dirt or rust on the pole faces. Mechanical obstruction. 	<ol style="list-style-type: none"> Check the coil terminal voltage. It should not exceed 110% of the coil rating. Install the correct coil. Replace the coil. Check the coil terminal voltage. It should be at least 85% of the coil rating. Clean the pole faces. With power <i>off</i>, check for free movement of the contact and armature assembly.

Table 17 – Motor Control Center Troubleshooting Chart (continued)

Part	Problem	Cause	Remedy
Thermal Overload Relays	Tripping	<ol style="list-style-type: none"> 1.Sustained overload. 2.Loose or corroded connection in the power circuit. 3.Incorrect thermal units. 4.Excessive coil voltage. 	<ol style="list-style-type: none"> 1.Check for excessive motor currents or current unbalance; correct cause. 2.Clean and tighten the connection. 3.Replace the thermal units with the correct size for the application. 4.Voltage should not exceed 110% of the coil rating.
	Failure To Trip	<ol style="list-style-type: none"> 1.Incorrect thermal units. 2.Mechanical binding, dirt, corrosion, etc. 3.Relay previously damaged by a short circuit. 4.Relay contact welded or not in series with the contactor coil. 	<ol style="list-style-type: none"> 1.Check the thermal unit selection table. Install the proper thermal units. 2.Replace the relay and thermal units. 3.Replace the relay and thermal units. 4.Check circuit for a fault and correct the condition. Replace the contact or the entire relay as necessary.
Motor Logic™ Overload Relays	Overload relay trips on start-up (after more than 3 seconds).	<ol style="list-style-type: none"> 1.Load is too heavy for motor horsepower. 2.Wrong overload trip class selected for application. 3.Incorrect overload FLA setting. 4.Use of electronic DC injection brake. 	<ol style="list-style-type: none"> 1.Remove excessive motor load or resize motor. 2.Use Trip Class 20 overload relay instead of Trip Class 10. 3.Set FLA adjustment according to motor full-load current. 4.Do not use electronic DC injection brakes with solid-state overload relay.
	Overload relay trips on start-up (in less than 3 seconds).	<ol style="list-style-type: none"> 1.Motor branch circuit fuse blown. 2.Loose motor branch circuit. 3.Motor circuit is not 3-phase. 4.Voltage unbalance on feeder. 5.Motor winding damage in one or more windings. 6.Phase loss in primary of wye-delta or delta-wye transformer. 7.One or more load lead(s) is not routed through relay window or is routed in opposite direction. 8.Number of load lead passes are different. 	<ol style="list-style-type: none"> 1.Replace blown motor branch circuit fuse(s). 2.Tighten motor branch circuit connection. 3.Select different type of overload relay for non 3-phase applications. 4.Correct voltage unbalance in feeder. 5.Check motor winding impedance. Rewind if necessary. 6.Replace blown fuses or tighten connections. 7.Pass each load lead through its respective window in the same direction. 8.Each load lead must be looped the same number of passes.
	Overload relay trips while running normally.	<ol style="list-style-type: none"> 1.Load is too heavy for motor horsepower. 2.Incorrect overload FLA setting. 3.Use of electronic DC injection brake. 4.Incorrect overload FLA setting. (Multiple pass applications.) 	<ol style="list-style-type: none"> 1.Remove excessive motor load or resize motor. 2.Set FLA adjustment according to motor full-load current. 3.Do not use electronic DC injection brakes with solid-state overload relay. 4.Recalculate FLA adjustment and set according to motor full-load current and number of looped passes.

ENGLISH

ENGLISH

Table 17 – Motor Control Center Troubleshooting Chart *(continued)*

Part	Problem	Cause	Remedy
TeSys™ T	Minor internal faults	Invalid configuration error	Indicates either a bad checksum (Config checksum error) or good checksum but bad data (Invalid config error). Both caused by hardware failure. Take the following steps: 1. Cycle power and wait 30 s. 2. Reset the configuration settings to factory settings. 3. If the fault persists, replace the TeSys T.
		Configuration checksum (EEROM) error	
		Internal network communications failure	
		A/D out of range error	
	Diagnostic errors	Start command check	Check the following: • relay outputs • all wiring, including: – control wiring circuit, including all electromechanical devices – power wiring circuit, including all components – load CT wiring. After all checks are complete: 1. Perform a fault reset. 2. If the fault persists, cycle power and wait 30 s. 3. If the fault still persists, replace the TeSys T.
		Stop command check	
		Stop check back	
Run check back			

Table 17 – Motor Control Center Troubleshooting Chart (continued)

Part	Problem	Cause	Remedy
TeSys T	Wiring/configuration errors	CT reversal error	<p>Correct the polarity of the CTs. Be sure that:</p> <ul style="list-style-type: none"> • all external CTs face the same direction • all load CT wiring passes through windows in the same direction <p>After all checks are complete:</p> <ol style="list-style-type: none"> 1. Perform a fault reset. 2. If the fault persists, cycle power and wait 30 s. 3. If the fault still persists, replace the TeSys T.
		Current/voltage phase reversal error	<p>Check:</p> <ul style="list-style-type: none"> • L1, L2 and L3 wiring connection to be sure wires are not crossed • Motor Phases Sequence parameter setting (ABC versus ACB) <p>After all checks are complete:</p> <ol style="list-style-type: none"> 1. Perform a fault reset. 2. If the fault persists, cycle power and wait 30 s. 3. If the fault still persists, replace the TeSys T.
		Phase configuration error	<p>Check for:</p> <ul style="list-style-type: none"> • short circuit or open circuit in the motor temp sensor wiring • wrong type of motor temp sensing device • improper configuration of parameters for selected device <p>After all checks are complete:</p> <ol style="list-style-type: none"> 1. Perform a fault reset. 2. If the fault persists, cycle power and wait 30 s. 3. If the fault still persists, replace the TeSys T.
		PTC connection error	<p>Check for:</p> <ul style="list-style-type: none"> • improper wiring, such as loose terminations • blown fuse • cut wire • single-phase motor configured for 3-phase operation • failure to wire a single phase motor through both A and C load CT windows • failure of power source (for example, utility power failure) <p>After all checks are complete:</p> <ol style="list-style-type: none"> 1. Perform a fault reset. 2. If the fault persists, cycle power and wait 30 s. 3. If the fault still persists, replace the TeSys T.
		Voltage phase loss error	<p>Check for:</p> <ul style="list-style-type: none"> • improper wiring, such as loose terminations • blown fuse • cut wire • single-phase motor configured for 3-phase operation • failure to wire a single phase motor through both A and C load CT windows • failure of power source (for example, utility power failure) <p>After all checks are complete:</p> <ol style="list-style-type: none"> 1. Perform a fault reset. 2. If the fault persists, cycle power and wait 30 s. 3. If the fault still persists, replace the TeSys T.

Table 17 – Motor Control Center Troubleshooting Chart *(continued)*

Part	Problem	Cause	Remedy
Magnetic And Mechanical Parts	Noisy Magnet	1.Broken shading coil. 2.Dirt or rust on magnet faces. 3.Low voltage.	1.Replace the magnet and armature. 2.Clean the magnet with a clean, dry cloth. 3.Check the coil terminal voltage and voltage dips during starting.
	Failure To Pick Up and Seal	1.No control voltage. 2.Low voltage. 3.Mechanical obstruction. 4.Open or overheated coil. 5.Wrong coil.	1.Check the control circuit wiring for a loose connection or poor contact continuity. 2.Check for the proper coil terminal voltage and voltage dips during starting. 3.With the power off, check for free movement of the contact and armature assembly. 4.Replace the coil. 5.Replace the coil.
	Failure To Drop Out	1.Gummy substance on the pole faces. 2.Voltage not removed. 3.Worn or corroded parts causing binding. 4.Residual magnetism due to the lack of an air gap in the magnet path. 5.Welded contacts.	1.Clean the pole faces with a clean, dry cloth. 2.Check the coil terminal voltage and the control circuit. 3.Replace the parts. 4.Replace the magnet and armature. 5.See Contacts—Welding or Freezing
Pneumatic Timers	Erratic Timing	Foreign matter in the valve.	Replace the complete timing head, or return the timer to the factory for repair and adjustment.
	Contacts Do Not Operate	1.Maladjustment of the actuating screw. 2.Worn or broken parts in the snap switch.	1.Adjust according to the instructions in the service bulletin. 2.Replace the snap switch.
Limit Switches	Broken Parts	Overtravel of the actuator.	Use a resilient actuator, or operate within the tolerance of the device.
Manual Starters	Failure To Reset	Latching mechanism worn or broken.	Replace the starter.

Thermal Overload Unit Selection

This section identifies the thermal overload units needed for the starters specified in an order. Tables are based on motor full-load amps and provide the catalog number for the appropriate thermal units to be used at that current rating.

Melting Alloy Overload Selection Tables for Combination Starter Units

Size 1

Motor Full-Load Current (A)	Thermal Unit Number	Motor Full-Load Current (A)	Thermal Unit Number
0.56–0.63	B 0.81	4.12–4.70	B 6.90
0.64–0.68	B 0.92	4.71–5.21	B 7.70
0.69–0.77	B 1.03	5.22–5.53	B 8.20
0.78–0.85	B 1.16	5.54–6.17	B 9.10
0.86–0.97	B 1.30	6.18–7.02	B 10.2
0.98–1.09	B 1.45	7.03–7.92	B 11.5
1.10–1.21	B 1.67	7.93–8.61	B 12.8
1.22–1.33	B 1.88	8.62–9.17	B 14
1.34–1.53	B 2.10	9.18–10.0	B 15.5
1.54–1.73	B 2.40	10.1–11.0	B 17.5
1.74–1.89	B 2.65	11.1–11.8	B 19.5
1.90–2.17	B 3.00	11.9–13.5	B 22
2.18–2.53	B 3.30	13.6–15.3	B 25
2.54–2.87	B 3.70	15.4–17.4	B 28
2.88–3.22	B 4.15	17.5–19.4	B 32
3.23–3.49	B 4.85	19.5–22.2	B 36
3.50–3.85	B 5.50	22.3–25.1	B 40
3.86–4.11	B 6.25	25.2–27.0	B 45

Size 2

Motor Full-Load Current (A)	Thermal Unit Number	Motor Full-Load Current (A)	Thermal Unit Number
3.94–4.45	B 6.90	14.0–15.8	B 25
4.46–4.97	B 7.70	15.9–17.9	B 28
4.98–5.28	B 8.20	18.0–19.9	B 32
5.29–5.97	B 9.10	20.0–22.8	B 36
5.98–6.89	B 10.2	22.9–25.4	B 40
6.90–7.92	B 11.5	25.5–28.9	B 45
7.93–8.71	B 12.8	29.0–30.8	B 50
8.72–9.27	B 14.0	30.9–32.5	B 56
9.28–10.2	B 15.5	32.6–34.9	B 62
10.3–11.4	B 17.5	35.0–39.7	B 70
11.5–12.3	B 19.5	39.8–44.7	B 79
12.4–13.9	B 22		

Size 3

Motor Full-Load Current (A)	Thermal Unit Number	Motor Full-Load Current (A)	Thermal Unit Number
14.0–14.9	CC 20.9	36.9–39.8	CC 59.4
15.0–16.2	CC 22.8	39.9–42.3	CC 64.3
16.3–17.2	CC 24.6	42.4–45.7	CC 68.5
17.3–18.7	CC 26.3	45.8–49.2	CC 74.6
18.8–20.2	CC 28.8	49.3–52.8	CC 81.5
20.3–21.7	CC 31.0	52.9–56.8	CC 87.7
21.8–23.3	CC 33.3	56.9–61.2	CC 94.0
23.4–25.2	CC 36.4	61.3–66.1	CC 103
25.3–27.1	CC 39.6	66.2–71.2	CC 112
27.2–29.4	CC 42.7	71.3–76.7	CC 121
29.5–31.6	CC 46.6	76.8–82.9	CC 132
31.7–34.0	CC 50.1	83.0–90.0	CC 143
34.1–36.8	CC 54.5		

Size 4

Motor Full-Load Current (A)	Thermal Unit Number	Motor Full-Load Current (A)	Thermal Unit Number
44.0–46.8	CC 64.3	73.0–78.1	CC 112
46.9–50.6	CC 68.5	78.2–83.9	CC 121
50.7–54.5	CC 74.6	84.0–91.1	CC 132
54.6–58.4	CC 81.5	91.2–97.5	CC 143
58.5–62.9	CC 87.7	97.6–104	CC 156
63.0–67.7	CC 94.0	105–113	CC 167
67.8–72.9	CC 103	114–133	CC 180

Melting Alloy Overload Selection Tables for Combination Starter Units (cont.)**Size 5 without CT Type Overloads**

Motor Full-Load Current (A)	Thermal Unit Number	Motor Full-Load Current (A)	Thermal Unit Number
88.2–95.1	DD 112	171–180	DD 220
95.2–101	DD 121	181–197	DD 240
102–111	DD 128	198–204	DD 250
112–119	DD 140	205–213	DD 265
120–131	DD 150	214–237	DD 280
132–149	DD 160	238–243	DD 300
150–170	DD 185	244–266	DD 320

Size 5 with CT Type Overloads and Circuit Breakers

Motor Full-Load Current (A)	Thermal Unit Number	Motor Full-Load Current (A)	Thermal Unit Number
40.8–45.5	B 1.03	115–128	B 3.00
45.6–49.9	B 1.16	129–140	B 3.30
51.0–57.5	B 1.30	141–160	B 3.70
57.6–65.9	B 1.45	161–193	B 4.15
66.0–73.1	B 1.67	194–209	B 4.85
73.2–81.5	B 1.88	210–232	B 5.50
81.6–92.3	B 2.10	233–248	B 6.25
92.4–104	B 2.40	249–266	B 6.90
105–114	B 2.65		

Size 5 with CT Type Overloads and Fusible Switch Disconnects

Motor Full-Load Current (A)	Thermal Unit Number	Max. Fuse Rating (A)	Motor Full-Load Current (A)	Thermal Unit Number	Max. Fuse Rating (A)
40.8–45.5	B 1.03	90	115–128	B 3.00	250
45.6–49.9	B 1.16	100	129–140	B 3.30	250
51.0–57.5	B 1.30	110	141–160	B 3.70	300
57.6–65.9	B 1.45	125	161–193	B 4.15	350
66.0–73.1	B 1.67	125	194–209	B 4.85	400
73.2–81.5	B 1.88	150	210–232	B 5.50	400
84.6–92.3	B 2.10	175	233–248	B 6.25	400
92.4–104	B 2.40	200	249–266	B 6.90	400
105–114	B 2.65	225			

Size 6

Motor Full-Load Current (A)	Thermal Unit Number	Motor Full-Load Current (A)	Thermal Unit Number
133–148	B 1.30	272–308	B 2.65
149–174	B 1.45	309–348	B 3.00
175–195	B 1.67	349–397	B 3.30
196–219	B 1.88	398–429	B 3.70
220–239	B 2.10	430–495	B 4.15
240–271	B 2.40	496–520	B 4.85

Melting Alloy Overload Selection Tables for Part Winding Combination Starter Units

Size 1

Motor Full-Load Current (A)	Thermal Unit Number	Motor Full-Load Current (A)	Thermal Unit Number
1.12–1.27	B 0.81	8.24–9.41	B 6.90
1.28–1.37	B 0.92	9.42–10.43	B 7.70
1.38–1.55	B 1.30	10.44–11.07	B 8.20
1.56–1.71	B 1.16	11.08–12.35	B 9.10
1.72–1.95	B 1.30	12.36–14.05	B 10.2
1.96–2.19	B 1.45	14.06–15.85	B 11.5
2.20–2.43	B 1.67	15.86–17.23	B 12.8
2.44–2.67	B 1.88	17.24–18.35	B 14
2.68–3.07	B 2.10	18.36–20.1	B 15.5
3.08–3.47	B 2.40	20.2–22.1	B 17.5
3.48–3.79	B 2.65	22.2–23.7	B 19.5
3.80–4.35	B 3.00	23.8–27.1	B 22
4.36–5.07	B 3.30	27.2–30.7	B 25
5.08–5.75	B 3.70	30.8–34.9	B 28
5.76–6.45	B 4.15	35.0–38.9	B 32
6.46–6.99	B 4.85	39.0–44.5	B 36
7.00–7.71	B 5.50	44.6–50.3	B 40
7.72–8.23	B 6.25	50.4–54.0	B 45

Size 2

Motor Full-Load Current (A)	Thermal Unit Number	Motor Full-Load Current (A)	Thermal Unit Number
7.88–8.91	B 6.90	24.8–27.9	B 22
8.92–9.95	B 7.70	28.0–31.7	B 25
9.96–10.57	B 8.20	31.8–35.9	B 28
10.58–11.95	B 9.10	36.0–39.9	B 32
11.96–13.79	B 10.2	40.0–45.7	B 36
13.80–15.85	B 11.5	45.8–50.9	B 40
15.86–17.43	B 12.8	51.0–61.7	B 45
17.44–18.55	B 14.0	61.8–65.1	B 50
18.56–20.5	B 15.5	65.2–69.9	B 56
20.6–22.9	B 17.5	70.0–79.5	B 62
23.0–24.7	B 19.5	79.6–89.4	B 70

Size 3

Motor Full-Load Current (A)	Thermal Unit Number	Motor Full-Load Current (A)	Thermal Unit Number
28.0–29.9	CC 20.9	73.8–79.7	CC 59.4
30.0–32.5	CC 22.8	79.8–84.7	CC 64.3
32.6–34.5	CC 24.6	84.8–91.5	CC 68.5
34.6–37.5	CC 26.3	91.6–98.5	CC 74.6
37.6–40.5	CC 28.8	98.6–105.7	CC 81.5
40.6–43.5	CC 31.0	105.8–113.7	CC 87.7
43.6–46.7	CC 33.3	113.8–122.5	CC 94.0
46.8–50.5	CC 36.4	122.6–132.3	CC 103
50.6–54.3	CC 39.6	132.4–142.5	CC 112
54.4–58.9	CC 42.7	142.6–153.5	CC 121
59.0–63.3	CC 46.6	153.6–165.9	CC 132
63.4–68.1	CC 50.1	166.0–180.0	CC 143
68.2–73.7	CC 54.5		

Size 4

Motor Full-Load Current (A)	Thermal Unit Number	Motor Full-Load Current (A)	Thermal Unit Number
105–112	CC 74.6	170–181	CC 132
113–122	CC 81.5	182–195	CC 143
123–131	CC 87.7	196–209	CC 156
132–142	CC 94.0	210–227	CC 167
143–153	CC 103	228–247	CC 180
154–157	CC 112	248–266	CC 196
158–169	CC 121		

Melting Alloy Overload Selection Tables for Part Winding Combination Starter Units (cont.)**Size 5 without CT Type Overloads**

Motor Full-Load Current (A)	Thermal Unit Number	Motor Full-Load Current (A)	Thermal Unit Number
176–190	DD 112	342–361	DD 220
191–203	DD 121	362–395	DD 240
204–223	DD 128	396–409	DD 250
224–239	DD 140	410–427	DD 265
240–253	DD 150	428–475	DD 289
254–299	DD 160	476–487	DD 300
300–341	DD 185	488–532	DD 320

Size 5 with CT Type Overloads and Circuit Breakers

Motor Full-Load Current (A)	Thermal Unit Number	Motor Full-Load Current (A)	Thermal Unit Number
81.6–91.1	B 1.03	230–257	B 3.00
91.2–101	B 1.16	258–281	B 3.30
102–115	B 1.30	282–321	B 3.70
116–131	B 1.45	322–387	B 4.15
132–146	B 1.67	388–419	B 4.85
147–163	B 1.84	420–465	B 5.50
164–184	B 2.10	466–497	B 6.25
185–209	B 2.40	496–532	B 6.90
210–229	B 2.65		

Size 5 with CT Type Overloads and Fusible Switch Disconnects

Motor Full-Load Current (A)	Thermal Unit Number	Motor Full-Load Current (A)	Thermal Unit Number
81.6–91.1	B 1.03	230–257	B 3.00
91.2–101	B 1.16	258–281	B 3.30
102–115	B 1.30	282–321	B 3.70
116–131	B 1.45	322–387	B 4.15
132–146	B 1.67	388–419	B 4.35
147–163	B 1.88	420–465	B 5.60
164–184	B 2.10	466–497	B 6.25
185–209	B 2.40	498–532	B 6.90
210–229	B 2.65		

Ambient-Compensated Bimetallic Overload Selection Tables for Combination Starter Units

Size 1

Motor Full-Load Current (A)	Thermal Unit Number	Motor Full-Load Current (A)	Thermal Unit Number
0.57–0.60	AR 1.05	3.46–3.81	AR 5.8
0.61–0.66	AR 1.15	3.82–4.20	AR 6.4
0.67–0.73	AR 1.26	4.21–4.65	AR 7.0
0.74–0.81	AR 1.39	4.66–5.29	AR 7.7
0.82–0.90	AR 1.53	5.30–5.84	AR 8.5
0.91–1.05	AR 1.68	5.85–6.27	AR 9.3
1.06–1.15	AR 1.85	6.28–6.97	AR 10.2
1.16–1.25	AR 2.04	6.98–7.59	AR 11.2
1.26–1.35	AR 2.24	7.60–7.89	AR 12.4
1.36–1.47	AR 2.46	7.90–8.95	AR 13.6
1.48–1.58	AR 2.71	8.96–10.3	AR 15.4
1.59–1.74	AR 2.98	10.4–11.7	AR 17.6
1.75–1.94	AR 3.28	11.8–13.3	AR 20.5
1.95–2.20	AR 3.62	13.4–15.2	AR 23
2.21–2.47	AR 3.98	15.3–17.2	AR 27
2.48–2.76	AR 4.37	17.3–19.7	AR 30
2.77–3.07	AR 4.80	19.8–22.4	AR 35
3.08–3.45	AR 5.3	22.5–26.0	AR 40

Size 2

Motor Full-Load Current (A)	Thermal Unit Number	Motor Full-Load Current (A)	Thermal Unit Number
4.24–4.62	AR 8.5	16.5–18.9	AR 35
4.63–5.05	AR 9.3	19.0–21.6	AR 40
5.06–5.54	AR 10.2	21.7–23.3	AR 44
5.55–6.13	AR 11.2	23.4–24.9	AR 47
6.14–6.44	AR 12.4	25.0–26.9	AR 51
6.45–7.48	AR 13.6	27.0–29.1	AR 55
7.49–8.55	AR 15.4	29.2–31.3	AR 60
8.56–9.74	AR 17.6	31.4–33.5	AR 66
9.75–11.1	AR 20.5	33.6–36.9	AR 72
11.2–12.7	AR 23	37.0–39.1	AR 79
12.8–14.4	AR 27	39.2–40.9	AR 86
14.5–16.4	AR 30	41.0–45.0	AR 94

Size 3

Motor Full-Load Current (A)	Thermal Unit Number	Motor Full-Load Current (A)	Thermal Unit Number
27.1–30.0	E 67	47.0–51.5	E 74
30.1–33.2	E 69	51.6–57.0	E 76
33.3–35.7	E 70	57.1–62.8	E 77
35.8–39.4	E 71	62.9–69.1	E 78
39.5–43.4	E 72	69.2–75.0	E 79
43.5–46.9	E 73	75.1–83.3	E 80

Size 4

Motor Full-Load Current (A)	Thermal Unit Number	Motor Full-Load Current (A)	Thermal Unit Number
50–55.9	E 88	82–86.9	E 96
56–60.9	E 89	87–92.9	E 97
61–65.9	E 91	93–97.9	E 98
66–69.9	E 92	98–107.9	E 99
70–75.9	E 93	108–113.9	E 101
76–81.9	E 94	114–125.9	E 102

Size 5

Motor Full-Load Current (A)	Thermal Unit Number	Motor Full-Load Current (A)	Thermal Unit Number
105–116	AR 3.28	166–184	AR 4.80
117–132	AR 3.62	185–207	AR 5.3
133–148	AR 3.98	208–229	AR 5.8
149–165	AR 4.37	230–266	AR 6.4

Size 6

Motor Full-Load Current (A)	Thermal Unit Number	Motor Full-Load Current (A)	Thermal Unit Number
146–169	AR 1.68	280–311	AR 3.28
170–185	AR 1.85	312–353	AR 3.62
186–201	AR 2.04	354–396	AR 3.98
202–217	AR 2.24	397–442	AR 4.37
218–236	AR 2.46	443–492	AR 4.80
237–253	AR 2.71	493–520	AR 5.3
254–279	AR 2.98		

Ambient-Compensated Bimetallic Overload Selection Tables for Part Winding Combination Starter Units

Size 1

Motor Full-Load Current (A)	Thermal Unit Number	Motor Full-Load Current (A)	Thermal Unit Number
1.14–1.21	AR 1.05	6.92–7.63	AR 5.8
1.22–1.33	AR 1.15	7.64–8.41	AR 6.4
1.34–1.47	AR 1.26	8.42–9.31	AR 7.0
1.48–1.63	AR 1.39	9.32–10.59	AR 7.7
1.64–1.81	AR 1.53	10.60–11.69	AR 8.5
1.82–2.11	AR 1.68	11.70–12.55	AR 9.3
2.12–2.31	AR 1.85	12.56–13.95	AR 10.2
2.32–2.51	AR 2.04	13.96–15.19	AR 11.2
2.52–2.71	AR 2.24	15.20–15.79	AR 12.4
2.72–2.95	AR 2.46	15.80–17.91	AR 13.6
2.96–3.17	AR 2.71	17.92–20.7	AR 15.4
3.18–3.49	AR 2.98	20.8–23.5	AR 17.6
3.50–3.89	AR 3.28	23.6–26.7	AR 20.5
3.90–4.41	AR 3.62	26.8–30.5	AR 23
4.42–4.95	AR 3.98	30.6–34.5	AR 27
4.96–5.53	AR 4.37	34.6–39.5	AR 30
5.54–6.15	AR 4.80	39.6–44.9	AR 35
6.16–6.91	AR 5.30	45.0–52.0	AR 40

Size 2

Motor Full-Load Current (A)	Thermal Unit Number	Motor Full-Load Current (A)	Thermal Unit Number
8.48–9.25	AR 8.5	33.0–37.9	AR 35
9.26–10.11	AR 9.3	38.0–43.3	AR 40
10.12–11.09	AR 10.2	43.4–46.7	AR 44
11.10–12.27	AR 11.2	46.8–49.9	AR 47
12.28–12.89	AR 12.4	50.0–53.9	AR 51
12.90–14.97	AR 13.6	54.0–58.3	AR 55
14.98–17.11	AR 15.4	58.4–62.7	AR 60
17.12–19.49	AR 17.6	62.8–67.1	AR 66
19.50–22.3	AR 20.5	67.2–73.8	AR 72
22.4–25.5	AR 23	74.0–78.3	AR 79
25.6–28.9	AR 27	78.4–81.9	AR 86
29.0–32.9	AR 30	82.0–90.0	AR 94

Size 3

Motor Full-Load Current (A)	Thermal Unit Number	Motor Full-Load Current (A)	Thermal Unit Number
54.2–60.1	E 67	94.0–103.1	E 74
60.2–66.5	E 69	103.2–114.1	E 76
66.6–71.5	E 70	114.2–125.7	E 77
71.6–78.9	E 71	125.8–138.3	E 78
79.0–86.9	E 72	138.4–150.1	E 79
87.0–93.9	E 73	150.2–166.6	E 80

Size 4

Motor Full-Load Current (A)	Thermal Unit Number	Motor Full-Load Current (A)	Thermal Unit Number
100–111.9	E 88	164–173.9	E 96
112–121.9	E 89	174–185.9	E 97
122–131.9	E 91	186–195.9	E 98
132–139.9	E 92	196–215.9	E 99
140–151.9	E 93	216–227.9	E 101
152–163.9	E 94	228–251.9	E 102

Size 5

Motor Full-Load Current (A)	Thermal Unit Number	Motor Full-Load Current (A)	Thermal Unit Number
210–233	AR 3.28	332–369	AR 4.8
234–265	AR 3.62	370–415	AR 5.3
266–297	AR 3.98	416–459	AR 5.8
298–331	AR 4.37	460–532	AR 6.4

Section 13—Circuit Breaker and Fusible Switch Replacement

NOTE: On Closed Door Racking (CDR) Units, Schneider Electric does not recommend field replacement of the circuit breaker by the customer due to the complexity of the CDR unit construction. Please contact Schneider Electric Services to replace the circuit breaker in a CDR unit.

For F-frame and K-frame circuit breakers and 100/200 A fusible switches, Schneider Electric recommends replacing the entire disconnect assembly instead of replacing the circuit breaker or fusible switch. The disconnect assembly includes the operator mechanism and the appropriate circuit breaker or switch.

Replacing the entire disconnect assembly requires the removal of three screws (two from the left side of the assembly and one inside the back of the assembly). This procedure is much simpler and quicker than replacing an individual circuit breaker or switch.

See Schneider Electric bulletin *Disconnect Assembly Replacement* (80439-666-01) for disconnect assembly installation instructions.

⚠ DANGER

HAZARD OF ELECTRIC SHOCK, EXPLOSION, OR ARC FLASH

- Apply appropriate personal protective equipment (PPE) and follow safe electrical work practices. See NFPA 70E or CSA Z462.
- This equipment must only be installed and serviced by qualified electrical personnel.
- Turn off all power supplying this equipment before working on or inside equipment.
- Always use a properly rated voltage sensing device to confirm power is off.
- Replace all devices, doors, and covers before turning on power to this equipment.

Failure to follow these instructions will result in death or serious injury.

For PowerPact™ H- and J-frame and TeSys B-frame circuit breakers, order a replacement circuit breaker only. To replace the circuit breaker:

1. Turn off all power supplying this equipment before working on or inside the equipment, and follow lockout/tagout procedures. Always use a properly rated voltage sensing device to confirm power is off.
2. Remove the control unit from the MCC. See “Removing the Control Unit” on page 86.
3. Open the line insulator tabs.
4. Loosen the set screws in the line and load side lugs. Detach the line and load side wires.
5. Remove the two circuit breaker mounting screws (see Figure 145 on page 153).
6. Remove the circuit breaker from the unit.
7. Remove the phase insulators from the breaker (see Figure 145).

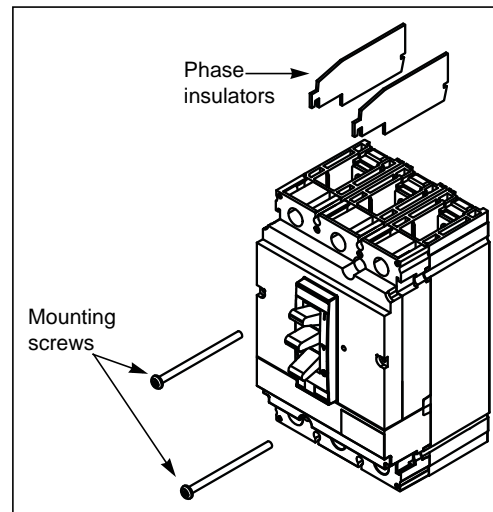
NOTE: Step 7 does not apply to PowerPact B-frame circuit breakers.

8. Unpack the new circuit breaker.
9. Reinstall the circuit breaker phase insulators in the slots provided on the circuit breaker.

NOTE: Step 9 does not apply to PowerPact B-frame circuit breakers.

10. Place the circuit breaker in the mounting pan, making sure that the line insulator is in position under the circuit breaker. Secure the circuit breaker with the two mounting screws provided.
11. Insert the line and load wires into the circuit breaker lugs. Tighten the lug set screws to the torque value indicated on the circuit breaker.
12. Close the line insulator tabs.
13. Reinstall the control unit in the MCC. Close and fasten the door.

Figure 145 –Circuit Breaker Replacement



Always use replacement devices of the same type and rating as the device being removed. Using a different type of disconnect or one with a different rating may alter the short circuit ratings of the motor control center.

Contact the MCC Technical Assistance Group (TAG) before installing a circuit breaker with a different rating. See “Appendix D—Technical Support” on page 176 for the MCC TAG technical support number.

Appendix A—Removal and Installation of Horizontal Bus Barrier Panels

This appendix contains installation and removal instructions for the horizontal bus barrier panels in 15 in. (381 mm) and 20 in. (508 mm) deep Model 6 Motor Control Centers manufactured by Schneider Electric.

⚠ DANGER

HAZARD OF ELECTRIC SHOCK, EXPLOSION, OR ARC FLASH

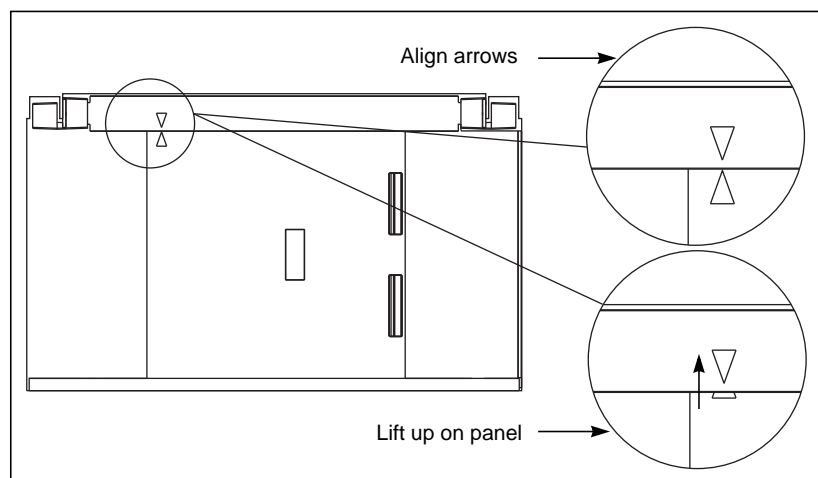
- Apply appropriate personal protective equipment (PPE) and follow safe electrical work practices. See NFPA 70E or CSA Z462.
- This equipment must only be installed and serviced by qualified electrical personnel.
- Turn off all power supplying this equipment before working on or inside equipment.
- Always use a properly rated voltage sensing device to confirm power is off.
- Replace all devices, doors, and covers before turning on power to this equipment.

Failure to follow these instructions will result in death or serious injury.

Removal

1. Turn off all power supplying this equipment before working on or inside the equipment, and follow lockout/tagout procedures. Always use a properly rated voltage sensing device to confirm the power is off.
2. With one hand, slide the left panel to the right until it unsnaps from the right panel.
3. Align the arrows on the left panel and top track as shown in Figure 146. Lift the panel out of the bottom track, and remove the panel.
4. Align the arrows on the right panel and top track as shown in Figure 146. Lift the panel out of the bottom track, and remove the panel.

Figure 146 –Aligning the Arrows on the Panels



Installation

NOTE: The horizontal bus barrier contains two identical panels with arrows at the top. The “handle” on the left panel faces the front of the MCC section. The “handle cavity” on the right panel faces the front of the MCC section (see Figure 147).

1. Turn off all power supplying this equipment before working on or inside the equipment, and follow lockout/tagout procedures. Always use a properly rated voltage sensing device to confirm the power is off.
2. Align the arrows on the right panel and top track as shown in Figure 148.
3. Lift the panel up into the rear groove of the top track.
4. Lower the panel into the rear groove of the bottom track.
5. Slide the panel to the far right.
6. Align the arrows on the left panel and top track.
7. Repeat Steps 3 and 4 using the left panel and front groove.
8. Slide the panel to the left until it locks (snaps) into place.
9. Verify that the barrier is completely closed by making sure that the wiring compartment is isolated from the bus compartment.

Figure 147 –Right Panel (Side View)

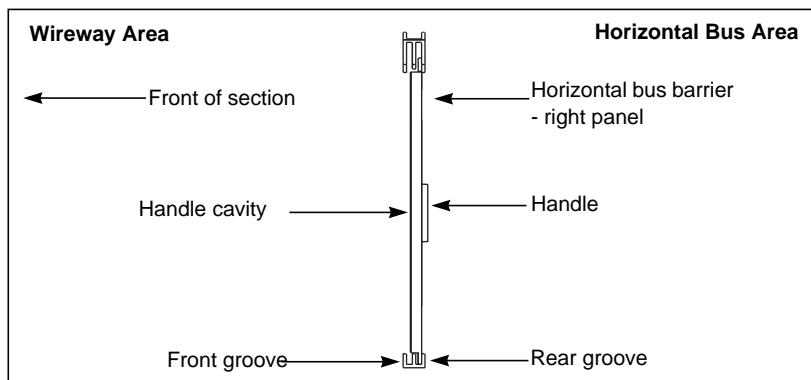
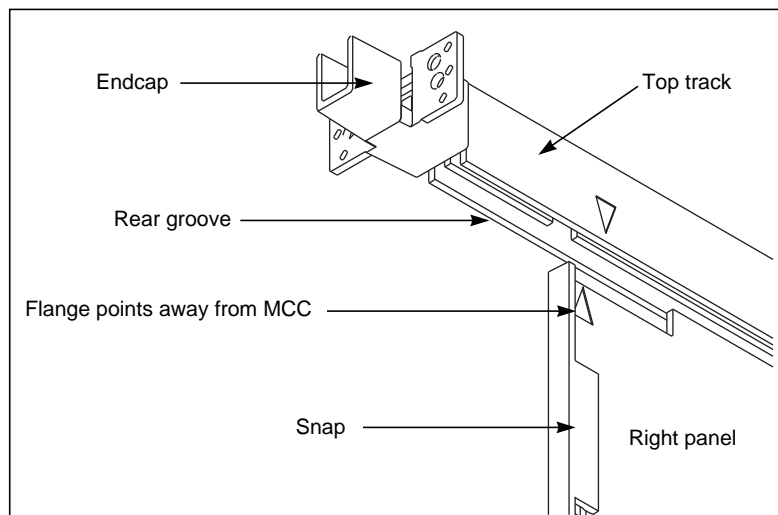


Figure 148 –Installing the Right Panel into the Rear Groove



Fixed Barrier

⚠ DANGER

HAZARD OF ELECTRIC SHOCK, EXPLOSION, OR ARC FLASH

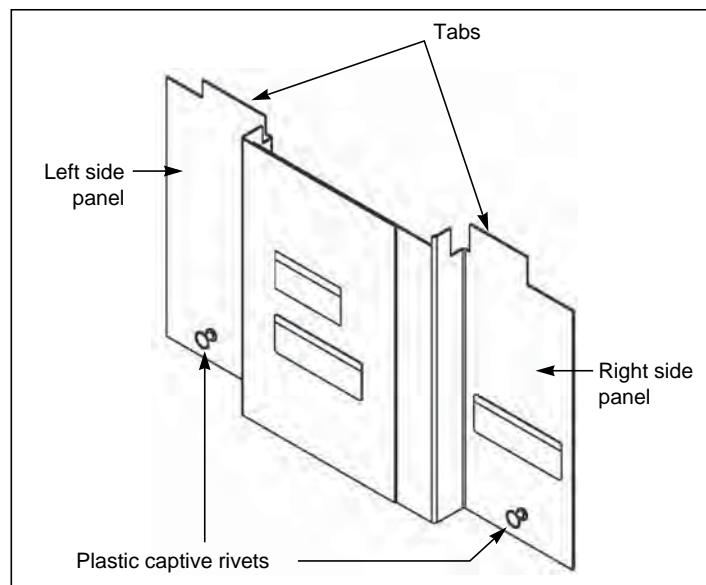
- Apply appropriate personal protective equipment (PPE) and follow safe electrical work practices. See NFPA 70E or CSA Z462.
- This equipment must only be installed and serviced by qualified electrical personnel.
- Turn off all power supplying this equipment before working on or inside equipment.
- Always use a properly rated voltage sensing device to confirm power is off.
- Replace all devices, doors, and covers before turning on power to this equipment.

Failure to follow these instructions will result in death or serious injury.

Removal

1. Turn off all power supplying this equipment before working on or inside the equipment, and follow lockout/tagout procedures. Always use a properly rated voltage sensing device to confirm the power is off.
2. A captive rivet at the bottom of each bus barrier panel secures the panels to mounting brackets on the MCC (see Figure 149 below, and Figures 150 and 151 on page 158).

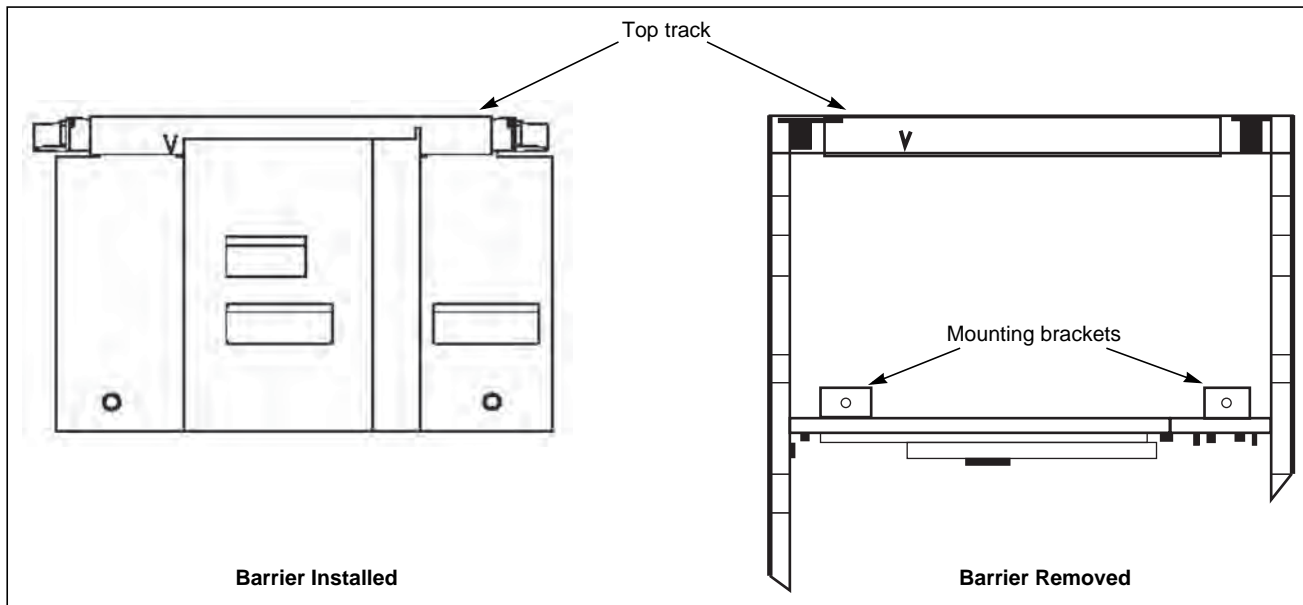
Figure 149 –Fixed Horizontal Bus Barrier



3. Firmly grasp the head of the left side rivet and pull until the rivet releases from the mounting bracket.
4. Pull out on the bottom of the left side panel until the tab at the top of the panel is clear of the top track (see Figure 150 on page 158).
5. Remove the panel from the MCC.
6. Repeat steps 3–5 for the right side panel.

ENGLISH

Figure 150 –Horizontal Bus Barrier Installation and Removal



Installation

1. Turn off all power supplying this equipment before working on or inside the equipment, and follow lockout/tagout procedures. Always use a properly rated voltage sensing device to confirm the power is off.
2. Insert the tab on the right side panel into the top track on the right side of the MCC and set it into place (see Figure 149 on page 157 and Figure 150).
3. Secure the right side panel by pushing the rivet firmly into the hole of the mounting bracket.
4. Repeat steps 2 and 3 for the left side panel.

Figure 151 –Barrier Installed and Removed



Installed



Removed

Appendix B—Non-Conductive Horizontal Bus Barrier Retrofit Kit

This appendix contains installation instructions for non-conductive horizontal bus barrier retrofit kits manufactured by Schneider Electric. These kits are for use in 15 in. (381 mm) and 20 in. (508 mm) deep Models 5 and 6 Motor Control Centers.

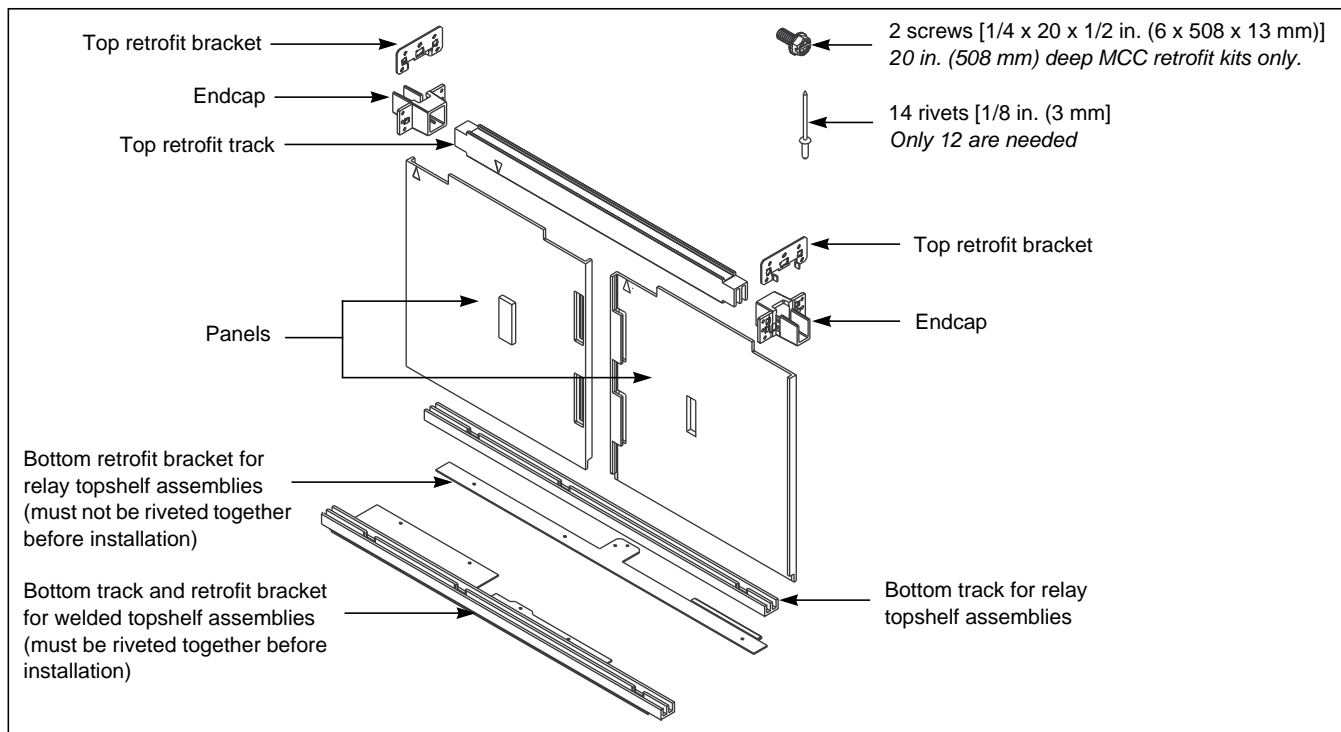
⚠ DANGER

HAZARD OF ELECTRIC SHOCK, EXPLOSION, OR ARC FLASH

- Apply appropriate personal protective equipment (PPE) and follow safe electrical work practices. See NFPA 70E or CSA Z462.
- This equipment must only be installed and serviced by qualified electrical personnel.
- Turn off all power supplying this equipment before working on or inside equipment.
- Always use a properly rated voltage sensing device to confirm power is off.
- After removing rivets and screws, verify that the compartment is free of loose particles.
- Replace all devices, doors, and covers before turning on power to this equipment.

Failure to follow these instructions will result in death or serious injury.

Figure 152 –Retrofit Kit Components



Remove Existing Components

Follow these instructions to remove the existing top horizontal wireway cover, bus barriers, units below the topshelf, and brackets [15 in. (381 mm) deep MCC]:

Horizontal Wireway Cover

1. Turn off all power supplying this equipment before working on or inside the equipment, and follow lockout/tagout procedures. Always use a properly rated voltage sensing device to confirm power is off.
2. Remove the screws that secure the top horizontal wireway cover to the structure, and then remove the cover.

Horizontal Bus Barriers

1. Remove the screw located at the top of the two-piece bus barriers.
2. Remove the screw located at the bottom of the two-piece bus barriers.
3. Pull the two metal barriers out of the MCC and discard them.

Units Below the Topshelf

If applicable, remove the plug-in unit below the topshelf (see Figure 153).

Refer to either the Model 5 MCC Installation and Maintenance Manual (# 8998IM9101R5/92) or “Removing the Control Unit” on page 86 of this bulletin for unit removal instructions. If necessary, contact your local Schneider Electric field sales representative to obtain this bulletin.

Existing Brackets: 15 in. (381 mm) Deep MCC Only

If the MCC is 15 in. (381 mm) deep, use a 1/8 in. (3 mm) drill bit to remove the rivets that hold the right and left horizontal bus barrier brackets in place (see Figure 153). Discard the brackets after removal.

NOTE: Discard all retrofit brackets if the existing bus barrier bracket “B” (see Figure 153) is present on the 15 in. (381 mm) deep MCC. All holes are already present for direct mounting of the horizontal bus barrier.

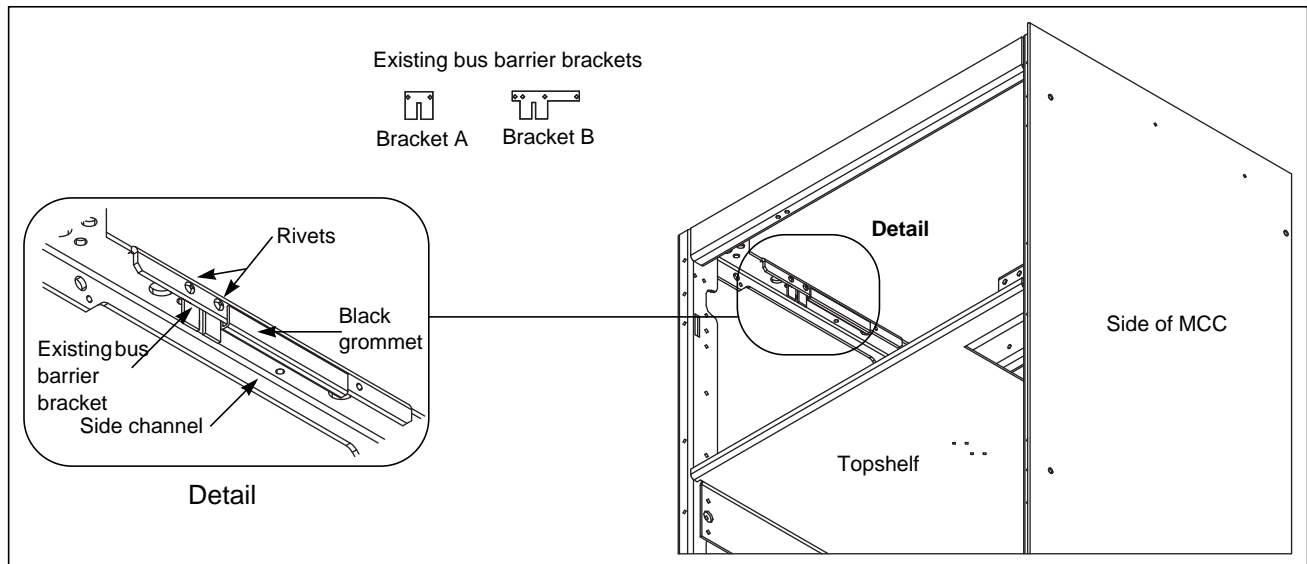
⚠ DANGER

HAZARD OF ELECTRIC SHOCK, EXPLOSION, OR ARC FLASH

- Drilling increases the chance of loose particles in the MCC.
- Confirm that the compartment is free of loose particles before turning on power to this equipment.

Failure to follow these instructions will result in death or serious injury.

Figure 153 –Remove Existing Brackets on the 15 in. (381 mm) Deep MCC



ENGLISH

Install the Retrofit Kit

Retrofit Brackets and Endcaps

Follow the applicable instructions below to install retrofit brackets into 15 in. (381 mm) or 20 in. (508 mm) deep MCCs. The top retrofit bracket must sit flush against the side channel. Slide the black grommets toward the back of the MCC.

- 15 in. (381 mm) deep MCC: Use a rivet gun and two rivets in the retrofit kit to attach the retrofit brackets to the left and right side channels (see Figure 154).
- 20 in. (508 mm) deep MCC: Use the screws provided in the retrofit kit to attach the retrofit brackets to the left and right side channels. Align the holes in the bracket and side channel as shown in Figure 155 on page 162.

- NOTES:**
- Even if the holes are present for a direct mounting of the endcap to the side channels, use the top retrofit bracket on 20 in. (508 mm) deep MCCs.
 - Before tightening the screws, push the bracket away from you so that the rear bracket hole is properly aligned with the side channel hole.

Figure 154 –15 in. (381 mm) Deep MCC Retrofit Bracket

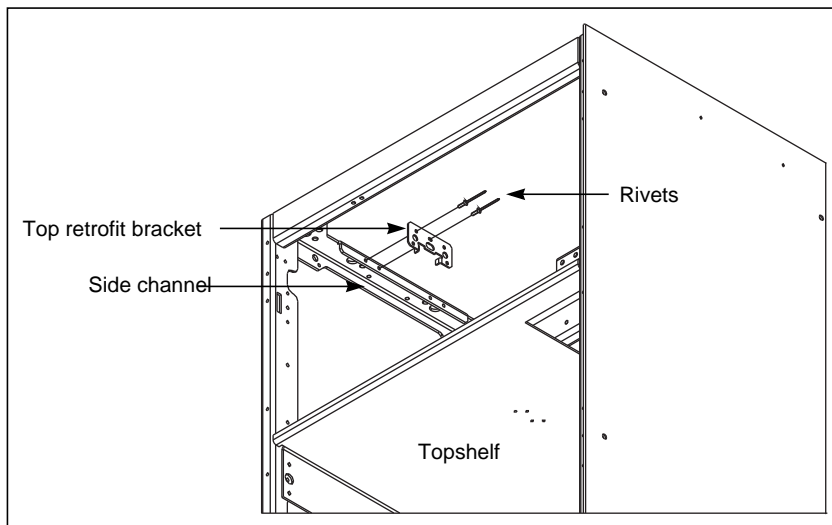
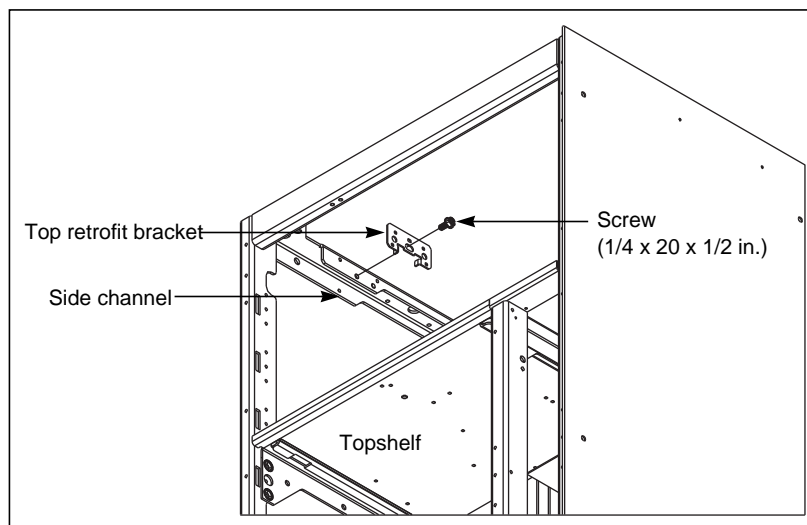


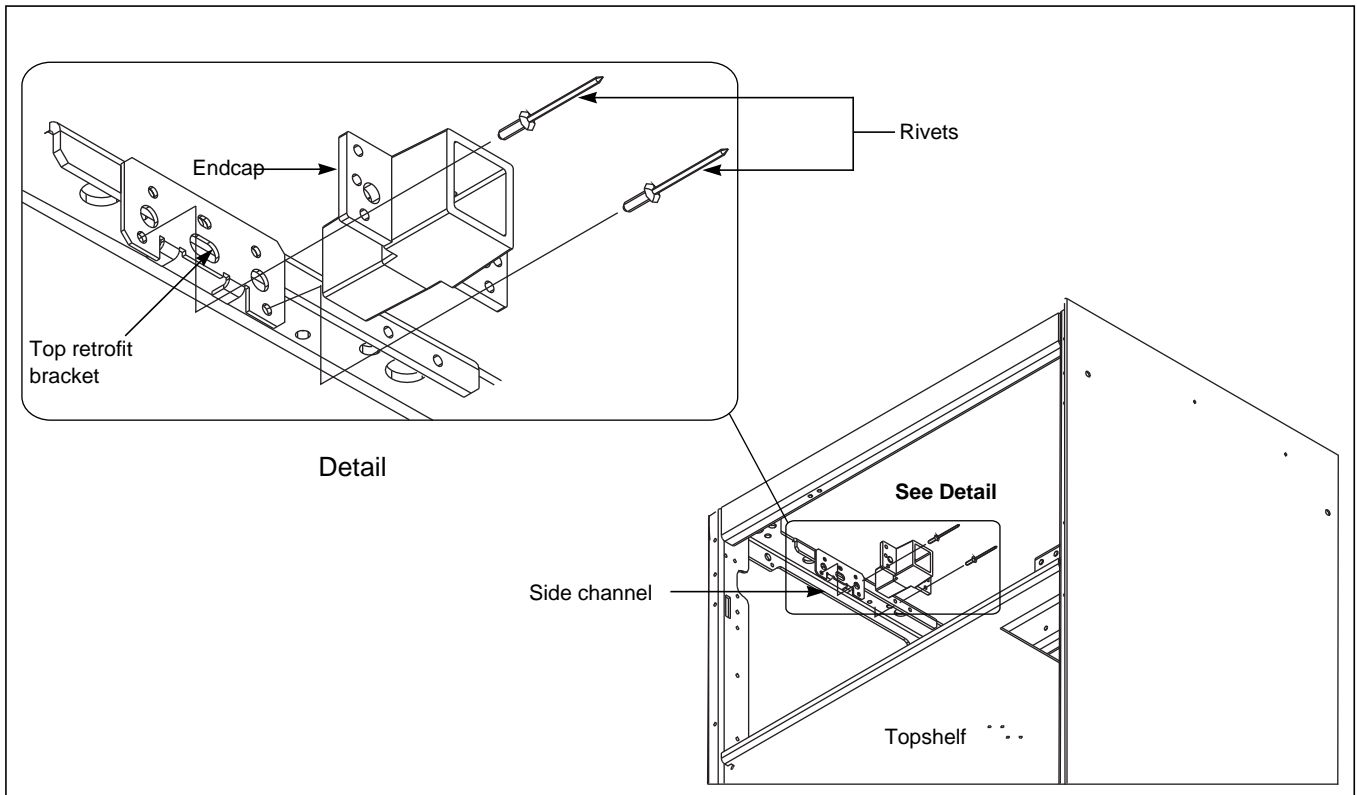
Figure 155 –20 in. (508 mm) Deep MCC Retrofit Bracket



Follow the steps below to install the endcaps (see Figure 156).

1. Rivet one endcap into place on the retrofit bracket or the side channel, either to the right or left side of the structure.
2. Insert one end of the top track into the attached endcap.
3. Place the other endcap on the opposite end of the top track, and slide the top track into place.
4. Rivet the second endcap to the retrofit bracket.

Figure 156 –Endcap Placement



ENGLISH

Bottom Track and Bottom Retrofit Bracket

1. Using a 1/8 in. (3 mm) drill bit, drill out both of the rivets on the horizontal bus barrier bracket (the L-shaped bracket located on the topshelf—see Figure 157). Remove the bracket and discard it.
2. To install the bottom retrofit track, follow step a if you have a welded topshelf, or step b if you have a relay topshelf (see Figure 158):
 - a. Welded topshelf: Align the holes of the shelf with those on the bottom track (see Figure 158). Rivet the track and the retrofit bracket to the topshelf.

NOTE: If the bus contains four laminations, access the rivet holes from underneath the topshelf.

- b. Relay topshelf: Align the two holes on the relay shelf with the bottom retrofit bracket holes (see Figure 158). Mark the places where you will drill other holes to secure the bottom track to the shelf. Drill the holes using a drill bit ranging from 0.136 in.–0.147 in. (3 mm–4 mm) in diameter. Rivet the track and retrofit bracket to the topshelf.

NOTE: The bottom retrofit track can be riveted directly onto the relay topshelf only if the relay assembly topshelf has two holes instead of four.

Figure 157 –Horizontal Bus Barrier (L-shaped) Bracket

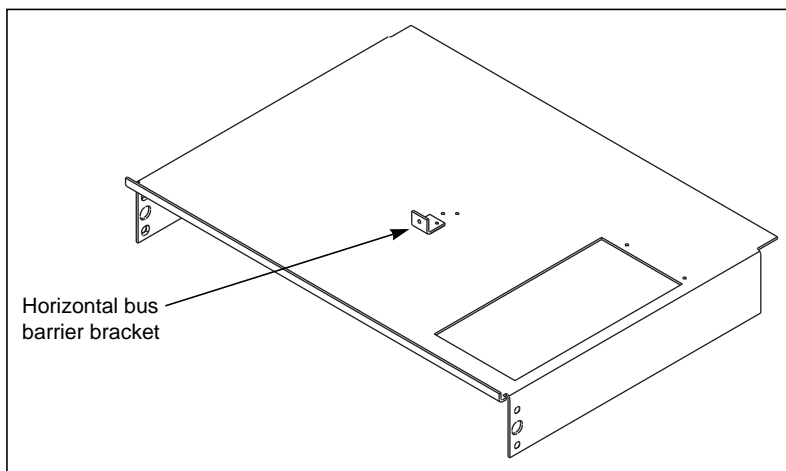
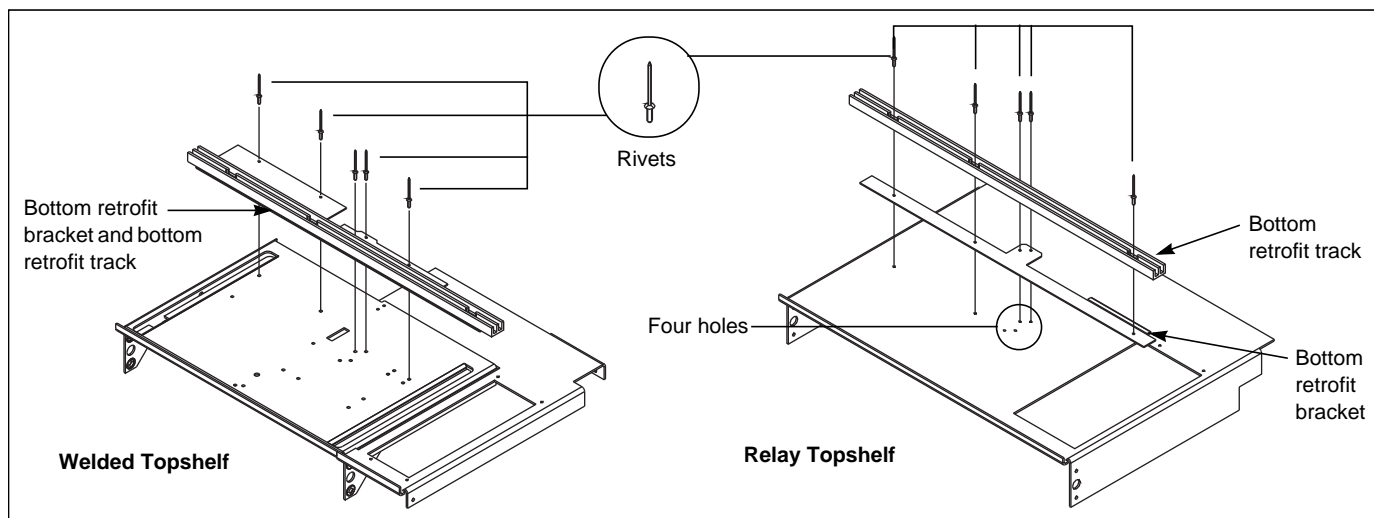


Figure 158 –Welded and Relay Topshelf Assemblies



Left and Right Panels

Installation

NOTE: The horizontal bus barrier contains two identical panels with arrows at the top. The “handle” on the left panel faces the front of the MCC section. The “handle cavity” on the right panel faces the front of the MCC section (see Figure 159).

1. Align the arrows on the right panel and top track as shown in Figure 160.
2. Lift the panel up into the rear groove of the top track.
3. Lower the panel into the rear groove of the bottom track.
4. Slide the panel to the far right.
5. Align the arrows on the left panel and top track.
6. Repeat Steps 2 and 3 using the left panel and front groove.
7. Slide the panel to the left until it locks (snaps) into place.
8. Verify that the barrier is completely closed by making sure that the wiring compartment is isolated from the bus compartment.

Figure 159 –Right Panel (Side View)

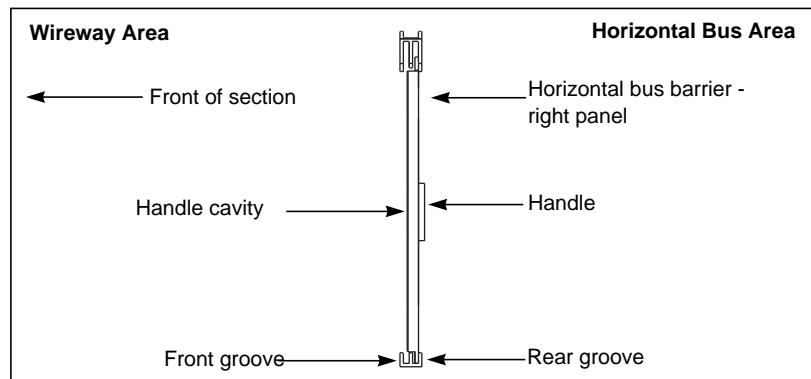
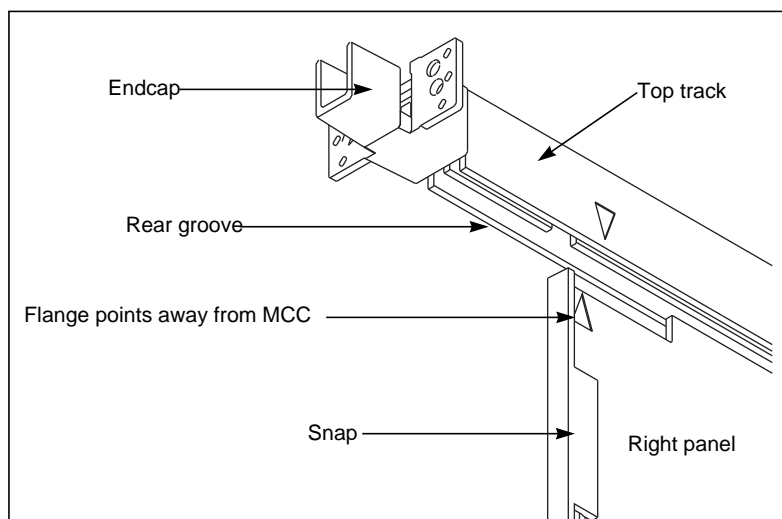
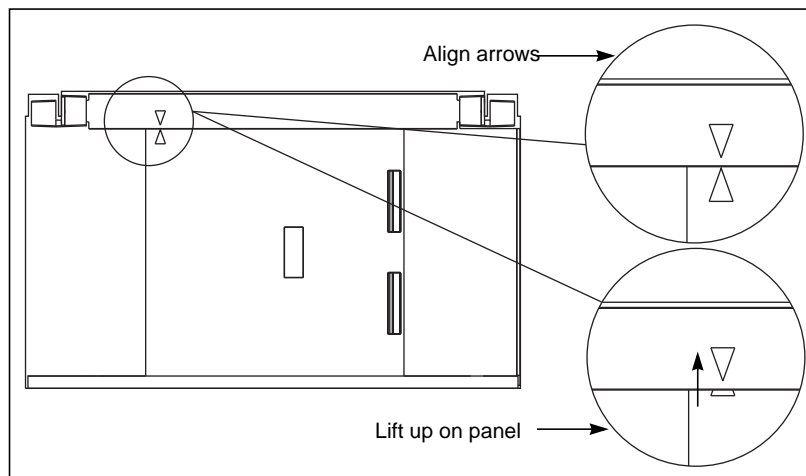


Figure 160 –Installing the Right Panel into the Rear Groove



Removal (when required)

1. With one hand, slide the left panel to the right until it unsnaps from the right panel.
2. Align the arrows on the left panel and top track as shown in Figure 161. Lift the panel out of the bottom track, and remove the panel.
3. Align the arrows on the right panel and top track as shown in Figure 161. Lift the panel out of the bottom track, and remove the panel.

Figure 161 –Aligning the Arrows on the Panels**Replace Components****⚠ DANGER****HAZARD OF ELECTRIC SHOCK, EXPLOSION, OR ARC FLASH**

- Apply appropriate personal protective equipment (PPE) and follow safe electrical work practices. See NFPA 70E or CSA Z462.
- This equipment must only be installed and serviced by qualified electrical personnel.
- Turn off all power supplying this equipment before working on or inside equipment.
- Always use a properly rated voltage sensing device to confirm power is off.
- Replace all devices, doors, and covers before turning on power to this equipment.

Failure to follow these instructions will result in death or serious injury.

Follow the steps below to replace the components of the MCC.

1. Install the unit you removed in the section, “Units Below the Topshelf” on page 160. Refer to either the Model 5 MCC Installation and Maintenance Manual (# 8998IM9101R5/92) or “Removing the Control Unit” on page 86 of this bulletin for instructions on installing units in an MCC.
2. Replace the top horizontal wireway cover.
3. Replace or close all other covers or doors before turning on the power to the MCC.

Appendix C—Automatic Vertical Bus Shutter

Introduction

⚠ DANGER

HAZARD OF ELECTRIC SHOCK, EXPLOSION, OR ARC FLASH

- Apply appropriate personal protective equipment (PPE) and follow safe electrical work practices. See NFPA 70E or CSA Z462.
- This equipment must only be installed and serviced by qualified electrical personnel.
- Turn off all power supplying this equipment before working on or inside equipment.
- Always use a properly rated voltage sensing device to confirm power is off.
- Replace all devices, doors, and covers before turning on power to this equipment.

Failure to follow these instructions will result in death or serious injury.

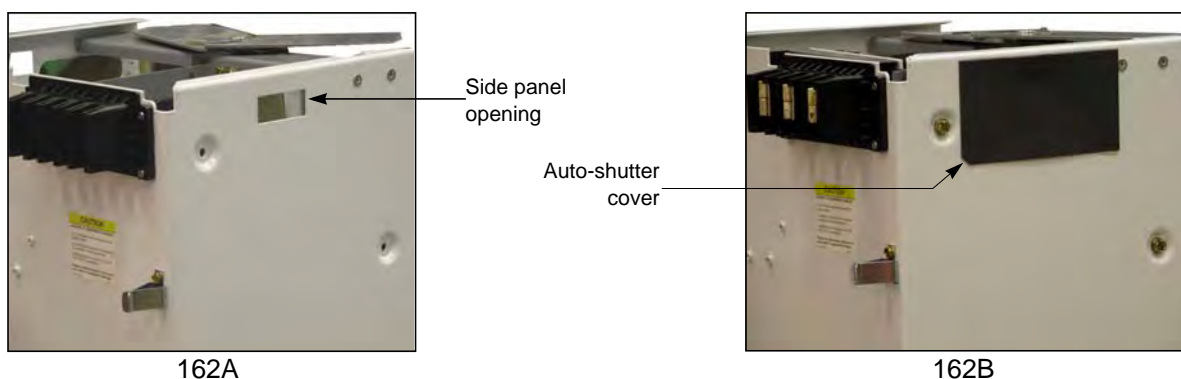
The automatic vertical bus shutter is an optional feature for the Model 6 motor control center (MCC) vertical bus. The shutters are pre-assembled and installed as part of the MCC line-up.

Automatic bus shutters open and close the vertical bus connection point when units are inserted and removed from the structure. The shutters can be located throughout the MCC and placed in 6 in. (152 mm) increments. They mount to the left edge of each midshelf.

The automatic shutter assembly requires an updated midshelf to allow clearance for the shutter above the plug-in unit.

- NOTES:**
- MCC structures shipped before January 2003 cannot use the top 3-in. (76 mm) space with the automatic vertical bus shutter option. A 3-in. (76 mm) cover plate is required to cover the opening.
 - Compac™ 6 control units shipped before January 2003 cannot be used with the automatic vertical bus shutter option.
 - Variable frequency drive and soft starter units 45 in. or taller that shipped before July 2003 with a side-panel opening as shown in Figure 162A, require an auto-shutter cover (Square D Seneca part #80451-765-01). The auto-shutter cover aligns with the back edge of the center-most flat head screw as shown in Figure 162B.

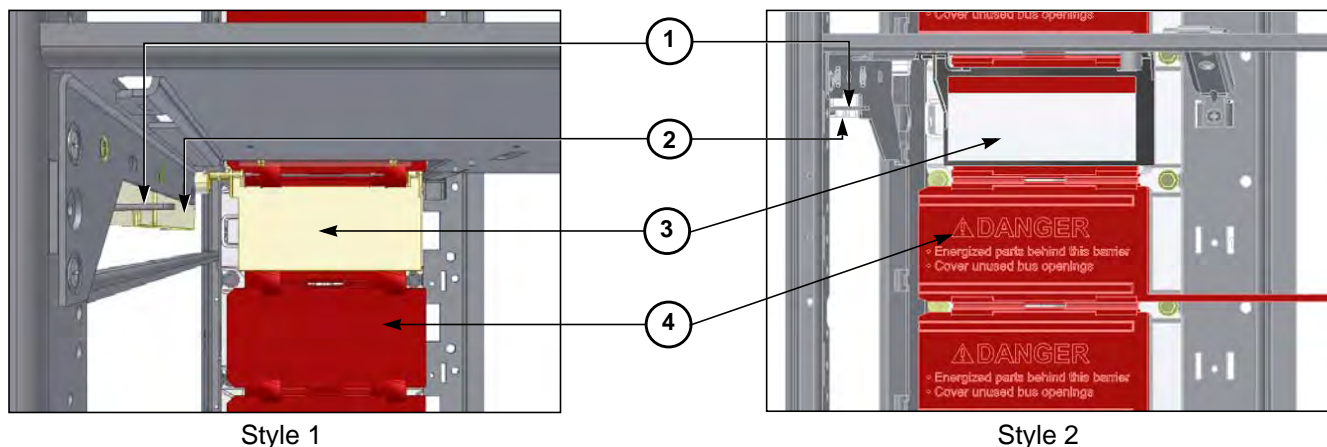
Figure 162 –Location of Auto-Shutter Cover for Side-Panel Opening



There are four main components of the automatic vertical bus shutter (see Figure 163 on page 168):

1. **Operator Mechanism:** Operates the vertical bus shutter, allowing the plug-in unit to engage the vertical bus.
2. **Mechanism Housing:** Protects the mechanism from incidental foreign material that could obstruct the intended operation.
3. **Vertical Bus Door and Clip:** Provides a barrier against incidental contact with the MCC vertical bus.
4. **Manual Shutter:** Prevents access to the unused vertical bus openings. The manual shutter is held in place by a built-in locking feature that holds the shutter in the closed position during shipping, set-up, and daily operations.

Figure 163 –Automatic Vertical Bus Shutter in an MCC (front view)



Compare the field-installed midshelf to the two designs above. If the field-installed midshelf matches Style 1, follow the installation and removal instructions starting below. If the field-installed midshelf matches Style 2, follow the instructions starting on page 172.

NOTE: Arc-rated MCCs have a midshelf specifically designed for arc-rated MCCs (Schneider Electric part no. 80466-007-50; see Figure 134 on page 134). This midshelf includes arc pressure relief flaps and must be used when installing arc-rated MCC units to maintain the arc containment ratings.

Installation—Style 1

Follow these instructions to install the automatic vertical bus shutter assembly to an existing Style 1 midshelf. See Figures 164 and 165.

⚠ DANGER

HAZARD OF ELECTRIC SHOCK, EXPLOSION, OR ARC FLASH

- Apply appropriate personal protective equipment (PPE) and follow safe electrical work practices. See NFPA 70E or CSA Z462.
- This equipment must be installed and serviced only by qualified electrical personnel.
- Turn off all power supplying this equipment before working on or inside.
- Always use a properly rated voltage sensing device to confirm power is off.
- Replace all devices, doors, and covers before turning on power to this equipment.

Failure to follow these instructions will result in death or serious injury.

1. Turn off all power supplying this equipment before working on or inside the equipment, and follow lockout/tagout procedures. Always use a properly rated voltage sensing device to confirm the power is off.
2. Position the midshelf (Figure 164, Item A) in the appropriate area of the structure.

Figure 164 –Shelf Installation—Style 1

Table 18 – Shelf Installation Kit Parts—Style 1

Description	Quantity	Item
Midshelf	1 ^①	A
Flat head screws	2	D
Unit door	1	F
Hex head screws	4 ^②	H
Quarter turn fastener receptacle	2 ^②	J

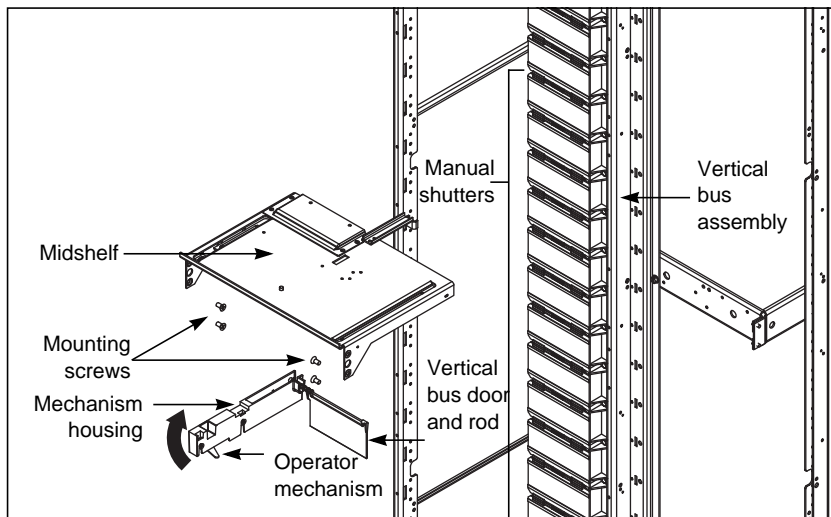
^① Shelf is furnished with order, and may already be mounted in position.

^② All necessary hardware for typical shelf installation is included. Door installation may require additional hardware.

3. Place the mounting foot (Item B) of the shelf into the mounting pan slots (Item C). Secure the shelf on the left and right with flat head screws (Detail A, Item D).
4. Install the hinge leaves (Detail A, Item E) and the door (Item F) into the hinge slots (Item G), which are on the structure corner channel. Fasten the hinge leaves to the structure corner channel using hex head screws (Item H).

5. Install the fastener receptacles (Detail B, Item J) into the bracket slots (Item K) and fasten with hex head screws (Item H).
6. Install the automatic bus shutter assembly by rotating the mechanism housing upward to clear the front corner channel of the structure.
7. Slide the automatic shutter assembly upward so that it fits snugly to the left edge of the midshelf.
8. Loosely insert the two 10-32 x 3/8 in. mounting screws through the inner left edge of the midshelf and into the square nuts in the housing.
9. Remove the manual shutter from the vertical bus assembly. Allow the manual shutter to hang next to the vertical bus assembly.
10. Snap the automatic shutter rod onto the vertical bus clip located on the front of the vertical bus assembly.
11. Tighten the two 10-32 x 3/8 in. mounting screws inserted in Step 8.
12. Push the operator mechanism to the rear, ensuring the shutter rotates upward into the pocket of the midshelf above the unit.
13. Insert the unit into the MCC. Follow the procedures in “Section 4—Installing the MCC”.
14. Replace all devices, doors, and covers before turning on the power to the equipment.

Figure 165 –Automatic Vertical Bus Shutter Installation—Style 1



Removal—Style 1

Follow these instructions to remove the automatic vertical bus shutter assembly from an existing Style 1 midshelf. See Figure 166.

⚠ DANGER

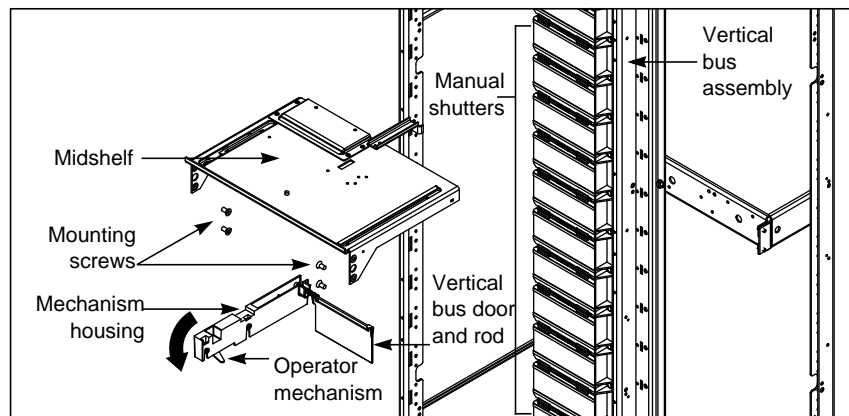
HAZARD OF ELECTRIC SHOCK, EXPLOSION, OR ARC FLASH

- Apply appropriate personal protective equipment (PPE) and follow safe electrical work practices. See NFPA 70E or CSA Z462.
- This equipment must be installed and serviced only by qualified electrical personnel.
- Turn off all power supplying this equipment before working on or inside.
- Always use a properly rated voltage sensing device to confirm power is off.
- Replace all devices, doors, and covers before turning on power to this equipment.

Failure to follow these instructions will result in death or serious injury.

1. Turn off all power supplying this equipment before working on or inside the equipment, and follow lockout/tagout procedures. Always use a properly rated voltage sensing device to confirm the power is off.
2. Remove the unit from the MCC structure. Follow the procedures in “Section 4—Installing the MCC”.
3. Remove the automatic vertical bus shutter rod from the vertical bus clip located on the front of the vertical bus assembly.
4. Insert the manual shutter into the vertical bus assembly.
5. Remove the two 10-32 x 3/8 in. mounting screws located on the inner left edge of the midshelf.
6. Slide the automatic shutter assembly downward, clearing the midshelf.
7. Rotate the assembly downward to clear the front corner channel of the structure.
8. Remove the automatic shutter assembly.
9. Replace all devices, doors, and covers before turning on the power to the equipment.

Figure 166 –Automatic Vertical Bus Shutter Removal—Style 1



Installation—Style 2

Follow these instructions to install the automatic vertical bus shutter assembly to an existing Style 2 midshelf. See Figures 167 and 168.

⚠ DANGER

HAZARD OF ELECTRIC SHOCK, EXPLOSION, OR ARC FLASH

- Apply appropriate personal protective equipment (PPE) and follow safe electrical work practices. See NFPA 70E or CSA Z462.
- This equipment must be installed and serviced only by qualified electrical personnel.
- Turn off all power supplying this equipment before working on or inside.
- Always use a properly rated voltage sensing device to confirm power is off.
- Replace all devices, doors, and covers before turning on power to this equipment.

Failure to follow these instructions will result in death or serious injury.

1. Turn off all power supplying this equipment before working on or inside the equipment, and follow lockout/tagout procedures. Always use a properly rated voltage sensing device to confirm the power is off.
2. Position the midshelf (Figure 167, Item A) in the appropriate area of the structure.

Figure 167 –Shelf Installation—Style 2

Description	Quantity	Item
Midshelf	2 ^①	A
Flat head screws	3	D
Unit door	1	F
Hex head screws	4 ^②	H
Quarter turn fastener receptacle	2 ^②	J

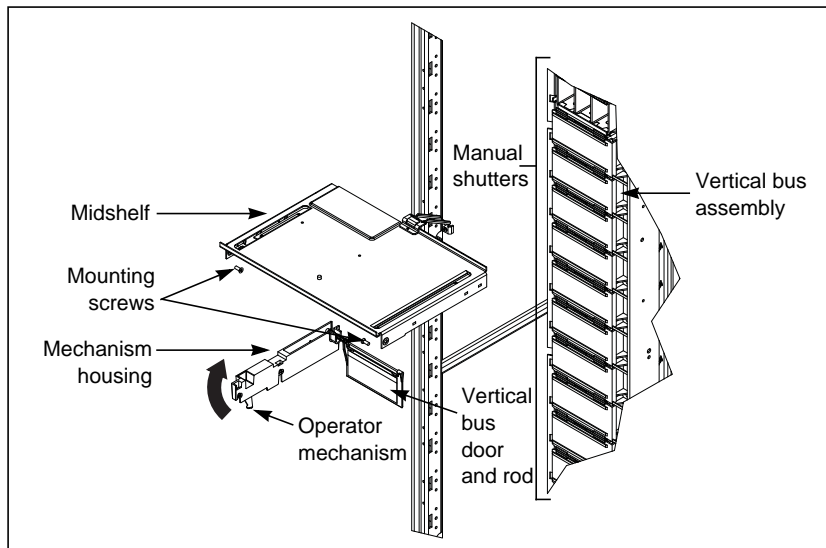
① Shelves are furnished with order. Structure may already have shelf mounted in position.

② All necessary hardware for typical shelf installation is included. Door installation may require additional hardware.

3. Place the mounting foot (Item B) of the shelf into the mounting pan slots (Item C). Secure the shelf at the mounting foot end, the left side, and the right side with flat head screws (Detail A, Item D).

4. Install the hinge leaves of the door (Detail A, Item E) into the hinge slots (Item G), which are on the structure corner channel. Fasten the hinge leaves to the structure corner channel using hex head screws (Item H).
5. Install fastener receptacles (Detail B, Item J) into the bracket slots (Item K) and fasten with hex head screws (Item H).
6. Install the automatic bus shutter assembly by rotating the mechanism housing upward to clear the front corner channel of the structure.
7. Slide the automatic shutter assembly upward so that it fits snugly to the left edge of the midshelf.
8. Loosely insert a 10-32 x 3/8 in. mounting screw through the inner left edge of the midshelf and into the square nuts in the housing.
9. Remove the manual shutter from the vertical bus assembly. Allow the manual shutter to hang next to the vertical bus assembly.
10. Snap the automatic shutter rod onto the vertical bus clip located on the front of the vertical bus assembly.
11. Tighten the 10-32 x 3/8 in. mounting screw inserted in step 8.
12. Push the operator mechanism to the rear, ensuring the shutter rotates upward into the pocket of the midshelf above the unit.
13. Insert the unit into the MCC. Follow the procedures in “Section 4—Installing the MCC”.
14. Replace all devices, doors, and covers before turning on the power to the equipment.

Figure 168 –Automatic Vertical Bus Shutter Installation—Style 2



Removal—Style 2

Follow these instructions to remove the automatic vertical bus shutter assembly from an existing Style 2 midshelf. See Figure 169

⚠ DANGER

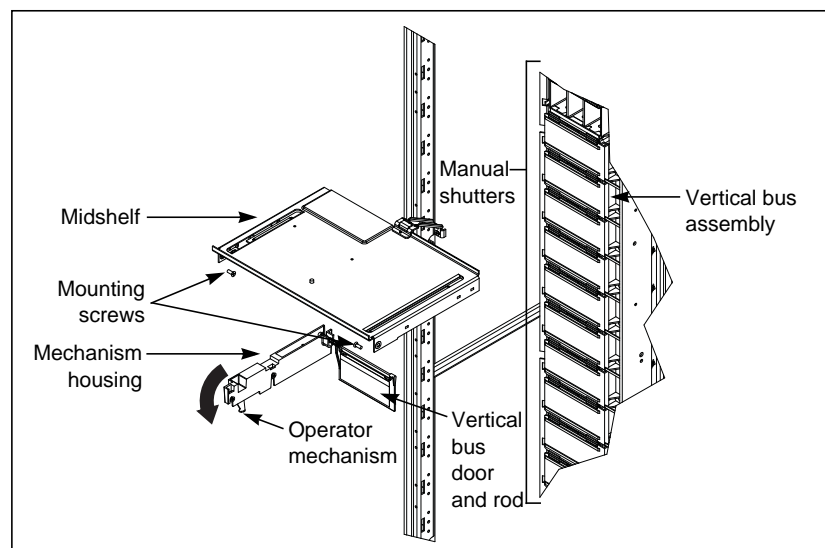
HAZARD OF ELECTRIC SHOCK, EXPLOSION, OR ARC FLASH

- Apply appropriate personal protective equipment (PPE) and follow safe electrical work practices. See NFPA 70E or CSA Z462.
- This equipment must be installed and serviced only by qualified electrical personnel.
- Turn off all power supplying this equipment before working on or inside.
- Always use a properly rated voltage sensing device to confirm power is off.
- Replace all devices, doors, and covers before turning on power to this equipment.

Failure to follow these instructions will result in death or serious injury.

1. Turn off all power supplying this equipment before working on or inside the equipment, and follow lockout/tagout procedures. Always use a properly rated voltage sensing device to confirm the power is off.
2. Remove the unit from the MCC structure. Follow the procedures contained in “Section 4—Installing the MCC”.
3. Remove the automatic vertical bus shutter rod from the vertical bus clip located on the front of the vertical bus assembly.
4. Insert the manual shutter into the vertical bus assembly.
5. Remove the 10-32 x 3/8 in. mounting screw from the inner left edge of the midshelf.
6. Slide the automatic shutter assembly downward, clearing the midshelf.
7. Rotate the assembly downward to clear the front corner channel of the structure.
8. Remove the automatic shutter assembly.
9. Replace all devices, doors, and covers before turning on the power to the equipment.

Figure 169 –Automatic Vertical Bus Shutter Removal—Style 2



Operation—Styles 1 and 2

Inserting a Unit

When a unit is inserted into the Model 6 MCC structure, the operator mechanism opens the automatic bus shutter, allowing the unit stabs to connect with the vertical bus.

Removing a Unit

The automatic shutter will close when a unit is removed from the structure. The shutter door provides a barrier against incidental contact with the MCC vertical bus.

ENGLISH

Appendix D—Technical Support

The Model 6 Motor Control Center incorporates many Schneider Electric products within one package. Following are the Technical Support numbers for some of these products:

Device Name	Location	Technical Support No.
Motor Control Centers ¹	Seneca, SC: MCC Technical Assistance Group (TAG)	(800) 634-2003
PowerLogic™ Equipment SMS-3000 Software	La Vergne, TN: PowerLogic Technical Assistance	(615) 287-3400
Variable Frequency Drives Soft Starters Starters/Contactors/Overloads	Raleigh, NC: Raleigh Help Desk	(888) 778-2733
Schneider Automation Equipment and Software	North Andover, MA: Customer Central	(800) 468-5342
Industrial Application Team	Raleigh, NC	(800) 468-5342
Field Services Organization Support	Florence, KY	(800) 634-2003

¹ The MCC Technical Assistance Group is your first point of contact for any MCC questions. Or, contact your local distributor/Schneider Electric field sales office.

Index

A

Altistart 48 129
 Altivar 61/71 129
 arc-rated 14–15, 24, 98, 131–132, 134, 139, 168
 automatic bus shutters 95, 167–168, 170–174

B

barriers 95, 159
 bus 26, 46, 50, 56, 83, 155–156, 165
 fixed 157–158
 non-conductive 159
 insulating 40, 43
 wireway 111, 135
 bus barriers 26, 46, 50, 56, 83, 155–156, 165
 fixed 157–158
 non-conductive 159
 bus bars 26, 83
 maintenance 83
 bus connection torque values 84, 99
 bus shutters
 automatic 95, 167–168, 170–174
 manual 95, 135

C

cabling
 iMCC 112, 118
 circuit breakers 92, 107, 152
 Compac 6 95, 103, 132, 167
 maintenance 92
 removal 90
 conduit entry 60
 conical washers 50, 59
 control devices 94
 control units 13, 85
 maintenance 85, 92
 removal 86, 89–90
 control wiring 75

D

disconnect switch 92

E

enclosures 24, 39, 82
 Type 1 26, 46, 54
 Type 1 Gasketed 26, 36
 Type 12 26, 36, 46, 54
 Type 3R 39, 42, 44, 51, 54
 types 20
 expansion 131

F

fixed bus barriers 157–158
 fuse clips 93
 fuses 93
 fusible switches 93, 152

G

ground bus torque values 84, 99

H

handling 20
 hinge pins 89
 horizontal bus covers 46, 51, 56
 horizontal wire trough 26, 60, 75, 83

I

iMCC 111
 cabling 112, 118
 communications 118
 incoming line 75, 82, 99
 insulating barriers 40, 43
 insulation tests 96
 intelligent MCC 111
 interlocks 86, 88, 91, 100, 108
 starter 95

M

Mag-Gard 107–109
 maintenance 80, 82, 117
 after a fault 98
 bus bars 83
 Compac 6 92
 control units 85
 incoming line 83
 log 154
 special units 95
 manual bus shutters 95, 135
 motor circuit protectors 107, 109
 Motor Logic 80, 102, 105–106
 overload relay size 104
 retrofit applications 103
 torque values 104
 troubleshooting 141
 Motor Logic Plus 117
 local programming 119
 remote programming 120
 motor protection relays 117

N

non-conductive bus barriers 159

O

operator mechanisms 80, 86, 93, 100, 117, 152
 overload relays 80, 94, 100, 102–104, 106–107
 troubleshooting 141

P

PowerLogic 129
 technical support 176
 PowerLogic units 117
 PowerPact 107, 109, 152
 pre-operation checklist 80

R

receiving 20
 resistance measurements 96
 retrofit applications 103, 126

S

seismic tie-down locations
 Type 1, Type 1 Gasketed, and
 Type 12 33
 Type 3R 34
 shipping weights 20
 six-inch units 103
 solid-state overload relays 102
 space requirements 24
 special units 95
 splice assemblies 49, 59
 splice gaskets 36
 splicing
 bus 46, 51, 54
 ground bus 24
 power bus 46, 51, 56
 stab assembly 92
 starter contacts 93
 starter interlocks 95

T

technical support 176
 terminal blocks 75, 87–88, 91, 103,
 113, 126, 138
 TeSys 107–109
 TeSys T 17, 80, 117, 125–127, 142–
 143
 troubleshooting 142
 thermal overload
 relays
 troubleshooting 141
 selection data 78
 unit selection 146
 torque values
 bus connection 84, 99
 ground bus 84, 99
 main lug compartments 78
 Motor Logic 104
 troubleshooting procedures 139
 twin handle cam mechanism 88

Type 1 enclosures

ground bus splicing 54
 joining 26
 power bus splicing 46
 seismic tie-down locations 33

Type 1 Gasketed enclosures

joining 26
 seismic tie-down locations 33
 splice gaskets 36

Type 12 enclosures

ground bus splicing 54
 joining 26
 power bus splicing 46
 seismic tie-down locations 33
 splice gaskets 36

Type 3R enclosures 39

ground bus splicing 54
 joining 42, 44
 power bus splicing 51
 seismic tie-down locations 34

V

vertical wire trough 75, 78, 88, 91, 94,
 131, 135, 137

W**wire trough 13**

horizontal 26, 60, 75, 83
 vertical 75, 78, 88, 91, 94, 131, 135,
 137

wireway barriers 111, 135**wiring 75**

Schneider Electric USA, Inc.

800 Federal Street
Andover, MA 01810 USA
888-778-2733
www.schneider-electric.us

Standards, specifications, and designs may change, so please ask for confirmation that the information in this publication is current.

AccuSine, Altivar, Altistart, ArkBlok, Mag-Gard, Modicon, Motor Logic, Motor Logic Plus, PowerLogic, PowerPact, Square D, Schneider Electric, and TeSys are trademarks and the property of Schneider Electric SE, its subsidiaries, and affiliated companies. All other trademarks are the property of their respective owners.

© 1999–2019 Schneider Electric All Rights Reserved

80459-641-01G, 04/2019
Replaces 80459-641-01F, dated 02/2018

Centros de control de motores modelo 6



Clase 8998

Boletín de instrucciones

80459-641-01G

04/2019

Conservar para uso futuro.



ESPAÑOL

SQUARE D™

by Schneider Electric

Categorías de riesgos y símbolos especiales

Asegúrese de leer detenidamente estas instrucciones y realice una inspección visual del equipo para familiarizarse con él antes de instalarlo, hacerlo funcionar o prestarle servicio de mantenimiento. Los siguientes mensajes especiales pueden aparecer en este boletín o en el equipo para advertirle sobre peligros potenciales o llamar su atención sobre cierta información que clarifica o simplifica un procedimiento.



La adición de cualquiera de estos símbolos a una etiqueta de seguridad de “Peligro” o “Advertencia” indica la existencia de un peligro eléctrico que podrá causar lesiones personales si no se observan las instrucciones.



Este es el símbolo de alerta de seguridad. Se usa para avisar sobre peligros potenciales de lesiones. Respete todos los mensajes de seguridad con este símbolo para evitar posibles lesiones o la muerte.

PELIGRO

PELIGRO indica una situación de peligro inminente que, si no se evita, **podrá** causar la muerte o lesiones serias.

ADVERTENCIA

ADVERTENCIA indica una situación potencialmente peligrosa que, si no se evita, **puede** causar la muerte o lesiones serias.

PRECAUCIÓN

PRECAUCIÓN indica una situación potencialmente peligrosa que, si no se evita, **puede** causar lesiones menores o moderadas.

AVISO

AVISO se usa para hacer notar prácticas no relacionadas con lesiones físicas. El símbolo de alerta de seguridad no se usa con esta palabra de indicación.

NOTA: Proporciona información adicional para clarificar o simplificar un procedimiento.

Observe que

Solamente el personal calificado deberá instalar, hacer funcionar y prestar servicios de mantenimiento al equipo eléctrico. Schneider Electric no asume responsabilidad alguna por las consecuencias emergentes de la utilización de este material.

Una persona calificada es aquella que tiene destreza y conocimiento técnico relacionado con la construcción, instalación y funcionamiento del equipo eléctrico; asimismo, esta persona ha recibido capacitación sobre seguridad con la cual puede reconocer y evitar los riesgos involucrados.

Contenido

- Sección 1—Acerca de los centros de control de motores modelo 6..... 12
 - Requisitos para dispositivo de protección contra sobrecorriente (DPCS) del lado de la fuente para CCM con clasificación de contención de arco nominal de 100 milisegundos 14
 - Lista de publicaciones de Schneider Electric 15
- Sección 2—Precauciones de seguridad..... 18
- Sección 3—Recibo, manejo y almacenamiento de los CCM..... 19
 - Recibo de los CCM 20
 - Manejo de los CCM 20
 - Equipo necesario 20
 - Desplazamiento de los CCM 21
 - Almacenamiento de los CCM 23
- Sección 4—Instalación de los CCM 24
 - Ubicación de los CCM 24
 - Requisitos de espacio 24
 - Alineación de los CCM 26
 - Conexión de secciones tipo 1/ tipo 1 con empaques/tipo 12 26
 - Colocación de los CCM 27
 - Conexión de los canales de esquina 28
 - Conexión de los canales laterales 29
 - Sujeción de las estructuras al piso 30
 - Certificación sísmica de los CCM modelo 6 31
 - Responsabilidad con respecto a la reducción de daños por actividad sísmica 31
 - Sujeción de estructuras al piso—Ubicaciones designadas como de riesgo sísmico 32
 - Acceso de sujeción sísmica para ArcBlok con cámara de cables de alimentación inferior, con aislamiento del lado de línea 32
 - Sujeción de estructuras a la pared—Ubicaciones designadas como de riesgo sísmico 35
 - Empaques de empalme para los gabinetes tipo 1 con empaques y tipo 12 37
 - Empalme sin empaques P 38
 - Empalme con empaques P 38
 - Empalme a la izquierda de un empaque existente 38
 - Empalme a la derecha de un empaque existente 38
 - Conexión de gabinetes tipo 3R (estilo nuevo) con gabinetes tipo 3R (estilo antiguo) 39
 - Conexión al lado izquierdo de un gabinete tipo 3R en un CCM existente 40
 - Conexión al lado derecho de un gabinete tipo 3R de un CCM existente 43
 - Conexión de las secciones tipo 3R 45
 - Empalme de las barras de alimentación en los gabinetes tipo 1 y tipo 12 ... 46
 - CCM con empalme de barra de alimentación y kit de barra individual/empalme de fase (barra horizontal de cobre de 600 A y 800 A, cortocircuito de 65 000 A o menos, enviados después de agosto de 2012) 48

ESPAÑOL

Empalme de las barras de alimentación del CCM con kit de empalme de fase/barra múltiple	50
Empalme de las barras de alimentación en los gabinetes tipo 3R	52
Empalme de la barra de tierra para los gabinetes tipo 1, tipo 12 y tipo 3R ...	56
Empalme de la barra de tierra para las secciones principales del ArcBlok con alimentación en la parte inferior	57
Empalme de la barra de alimentación de una sección con barra de 2 500 A y corriente de cortocircuito de 100 000 A	58
Empalme de la barra de desplazamiento o 3000/3200 A horizontal (lado izquierdo de la estructura solamente)	61
Entrada de los conductores	63
Entrada del conductor para cámaras de cables con aislamiento del lado de línea con ArcBlok	64
Instrucciones para el cableado del cable de entrada—Cámara de cables con aislamiento del lado de línea	68
Instalación de la tapa de ventilación	72
Instalación de la caja de derivación	74
Caja de derivación para CCM de bajo voltaje estándar	74
Caja de derivación para CCM de bajo voltaje ventilada	76
Caja de derivación para CCM de bajo voltaje con aislamiento del lado de línea	77
Alambrado de carga y de control	79
Instalación del ensamblaje de cables con zapatas de compresión en unidades de desconexión alambradas	80
Valores de par de apriete para la conexión de los cables	82
Información sobre los componentes	82
Modificación de la ubicación de los clips para fusibles	83
Sección 5—Funcionamiento	84
Lista de verificación de pre-funcionamiento	84
Energización del CCM	86
Sección 6—Servicio de mantenimiento del CCM	87
Inspección del gabinete	87
Servicio de mantenimiento de las barras y compartimientos de la línea entrante	87
Servicio de mantenimiento de las unidades de control	90
Desmontaje de las unidades de control	91
Desmontaje de la unidad de control Compac™ 6	96
Pruebas y servicio de mantenimiento con la unidad de control desmontada	98
Montaje	102
Prueba de aislamiento	103
Servicio de mantenimiento después de haberse producido una falla	104

Sección 7—Relevador de sobrecarga de estado sólido (RSES) Motor Logic™ 108

- Aplicaciones de modernización Motor Logic 109
- Ajuste 112

Sección 8—Ajustes de los protectores de circuitos de motor Mag-Gard™, PowerPact™ y TeSys™ 113

- Ajuste de disparo magnético de los protectores de circuitos de motor Mag-Gard, PowerPact o TeSys 113

Sección 9—CCM inteligentes (CCMi) 117

- Descripción general del CCMi 117
- Descripción general de redes/comunicaciones 117
- Conexión del sistema de cables del CCMi 118
- Alambrado de la red 118
- Cables entre las secciones de transporte 118
- Cables de carga 118
- Red de comunicaciones 119
- Puentes/repetidores 119
- Resistencias terminales 119
- Conexión de cables directa 119
- Funcionamiento 123
- Listas de verificación de pre-funcionamiento 123
 - Estructura del CCM 123
 - Comunicaciones del CCMi 124
- Energización del CCM 125
 - Programación local de Motor Logic Plus 126
 - Programación remota de Motor Logic Plus 127
- Controlador de gestión de motores TeSys™ T 132
- Aplicaciones de modernización TeSys T 133
- Aplicaciones que requieren vueltas en el controlador 134
- Programación local del TeSys T 134
 - Cómo configurar con una interfaz hombre-máquina 135
 - Cómo configurar con el software PowerSuite™ 136
 - Cómo configurar con el software SoMove 136
 - Medidor ION de PowerLogic 136
 - Power Meter de PowerLogic serie 800, 5500, 8000 136
 - Monitor de circuitos PowerLogic 136
 - Altivar™ 61/71 137
 - Altivar 630/930 137
 - Altistart™ 48 137
- Interruptores automáticos Powerpact™ con unidades de disparo Micrologic™ 137
- Direcciones de los dispositivos 138
- Software 138
- Seguridad de la red 138

ESPAÑOL

Sección 10—Expansión	139
Información de pedido	139
Modificación de las unidades del CCM	140
Desenergización del equipo e identificación del tipo de unidad	140
Modificación de unidades desmontables	141
Modificación de las unidades fijas	141
Instalación de unidades CCM adicionales	143
Sección 11—Diagnóstico de problemas.....	149
Sección 12—Resistencia de aislamiento	155
Selección de los elementos térmicos del relevador de sobrecarga	156
Sección 13—Sustitución del interruptor automático e interruptor fusible.....	162
Sección 14—Registro cronológico de instalación y servicios de mantenimiento.....	164
Apéndice A—Desmontaje e instalación de los paneles de la barrera de las barras horizontales	165
Desmontaje	165
Instalación	166
Barrera fija	167
Desmontaje	167
Instalación	168
Apéndice B—Accesorio de modernización de la barrera aislante de las barras horizontales.....	169
Desmontaje de componentes existentes	170
Cubierta de la canalización de cables horizontal	170
Barreras de las barras horizontales	170
Unidades debajo del entrepaño superior	170
Soportes existentes: CCM de 381 mm (15 pulgadas) de profundidad solamente	171
Instalación del accesorio de modernización	172
Soportes de modernización y tapones finales	172
Riel y soporte de modernización inferiores	174
Paneles izquierdo y derecho	175
Instalación.....	175
Desmontaje (cuando sea necesario).....	176
Recolocación de los componentes	177
Apéndice C—Persiana automática de las barras verticales.....	178
Introducción	178
Instalación—Estilo 1	181
Desmontaje—Estilo 1	183
Instalación—Estilo 2	184
Desmontaje—Estilo 2	186
Funcionamiento—Estilos 1 y 2	187
Inserción de una unidad	187
Desmontaje de una unidad	187
Apéndice D—Soporte técnico.....	188

Lista de figuras

Figura 1 – Etiqueta de la opción de clasificación de contención de arco nominal de 100 ms para el CCM modelo 6 y su ubicación típica en el gabinete	13
Figura 2 – Centro de control de motores envasado en posición lateral (típico para la mayoría de las secciones)	19
Figura 3 – Centro de control de motores envasado en posición vertical (típico para secciones muy pesadas, por ejemplo, variadores de velocidad de 18 impulsos como opción del cliente)	19
Figura 4 – Desplazamiento de los CCM con un montacargas	21
Figura 5 – Uso apropiado de una eslinga para levantar un CCM	22
Figura 6 – Puntos de levantamiento correctos/incorrectos para las unidades enchufables de más de 610 mm (24 pulg) de alto	23
Figura 7 – Área requerida libre de obstrucciones	26
Figura 8 – Vistas del centro de control de motores	27
Figura 9 – Muestras en el canal de la base	28
Figura 10 – Herrajes de conexión	28
Figura 11 – Unión de las secciones con tornillos	29
Figura 12 – Montaje normal en el canal de la base	30
Figura 13 – Montaje en el canal de base para las secciones del CCM con variador de velocidad de 18 impulsos	30
Figura 14 – Cubierta delantera y panel trasero de la cámara de cables	32
Figura 15 – Ubicaciones de sujeción sísmica tipo 1, tipo 1 con empaques y tipo 12	33
Figura 16 – Ubicaciones de sujeción sísmica para las secciones del CCM con variador de velocidad de 18 impulsos	33
Figura 17 – Ubicaciones de sujeción sísmica tipo 3R	34
Figura 18 – Ubicaciones de unión del refuerzo lateral superior	36
Figura 19 – Empaque P	37
Figura 20 – Desmontaje del deflector de extremo	40
Figura 21 – Desmontaje de la barrera de aislamiento	40
Figura 22 – Instalación del soporte del deflector	41
Figura 23 – Re-instalación de las placas posteriores	42
Figura 24 – Instalación del deflector de empalme	43
Figura 25 – Instalación del soporte de secciones múltiples	45
Figura 26 – Desmontaje de los capuchones de los deflectores intermedio y de extremo de la parte superior del CCM	45
Figura 27 – Sujeción de los canales verticales	46
Figura 28 – Re-colocación de los herrajes de la provisión de levantamiento	46
Figura 29 – Cubiertas de la canalización de cables horizontal y barreras de las barras retiradas	47
Figura 30 – Aplicación correcta de empalme (instalado) para una barra no de horquilla de 600/800 A	48
Figura 31 – Aplicación incorrecta de empalme de una sola barra en una barra tipo horquilla	48
Figura 32 – Extracción de los tornillos de la barra de empalme sencilla	49
Figura 33 – Desplazamiento y alineación de la barra de empalme en los agujeros de la barra	49
Figura 34 – Inserción de los tornillos del empalme en las secciones izquierda y derecha	49
Figura 35 – Colocación de una roldana cónica debajo de la cabeza del tornillo	49
Figura 36 – Apriete de los tornillos	50
Figura 37 – Extracción de los tornillos izquierdos y aflojamiento de los tornillos derechos en el ensamble de empalme	50

Figura 38 – Alineación de los agujeros de las barras de empalme y de distribución	51
Figura 39 – Cómo introducir los tornillos de empalme	51
Figura 40 – Colocación de una roldana cónica debajo de la cabeza del tornillo ..	51
Figura 41 – Apriete de los tornillos	52
Figura 42 – Cubiertas de la canalización de cables desmontadas y barreras de las barras horizontales abiertas	53
Figura 43 – Aflojamiento de los tornillos	53
Figura 44 – Soportes de refuerzo opcionales de 85 000 A	54
Figura 45 – Deslizamiento del ensamble de empalme hacia a la izquierda	54
Figura 46 – Cómo introducir los tornillos de empalme	54
Figura 47 – Colocación de una roldana cónica debajo de la cabeza del tornillo	55
Figura 48 – Apriete de todos los tornillos	55
Figura 49 – Barra de empalme de tierra como se envía de fábrica	56
Figura 50 – Re-colocación del tornillo de la barra de tierra	56
Figura 51 – Ubicación de las placas de cierre a tierra	57
Figura 52 – Cubiertas de la canalización de cables desmontadas y barreras de las barras horizontales abiertas	59
Figura 53 – Extracción de los tornillos del ensamble de empalme	59
Figura 54 – Alineación de los agujeros de las barras	59
Figura 55 – Cómo introducir los tornillos de empalme	60
Figura 56 – Colocación de una roldana cónica debajo de la cabeza del tornillo	60
Figura 57 – Apriete de los tornillos	60
Figura 58 – Empalme de la barra de desplazamiento horizontal	62
Figura 59 – Colocación de una roldana cónica debajo de la cabeza del tornillo ..	62
Figura 60 – Acceso a la cámara de cables con aislamiento del lado de línea y al interruptor principal del ArcBlok con alimentación en la parte superior	64
Figura 61 – Acceso a la cámara de cables con aislamiento del lado de línea y al interruptor de zapata principal del ArcBlok con alimentación en la parte superior	65
Figura 62 – Acceso a la cámara de cables con aislamiento del lado de línea y al interruptor principal del ArcBlok con alimentación en la parte inferior	66
Figura 63 – Acceso a la cámara de cables con aislamiento del lado de línea y al interruptor de zapata principal del ArcBlok con alimentación en la parte inferior	67
Figura 64 – Instalación y sellado del tubo conduit de la cámara de cables con aislamiento del lado de línea	68
Figura 65 – Cubierta de la zapata del ArcBlok colocada antes de la sujeción	69
Figura 66 – Primer bucle de sujeción de cables	69
Figura 67 – Grupos de sujeción de cables superior e inferior	70
Figura 68 – Barreras interfásicas del ArcBlok	70
Figura 69 – Barreras interfásicas del ArcBlok y canales de la cubierta de la zapata	71
Figura 70 – Extracción de los herrajes	72
Figura 71 – Re-colocación y fijación de la tapa de ventilación	73
Figura 72 – Extracción de los herrajes	74
Figura 73 – Instalación de la caja de derivación	75
Figura 74 – Instale la caja de derivación	76
Figura 75 – Retire el hardware	77
Figura 76 – Instale la caja de derivación	78
Figura 77 – Alambrado en la canalización de cables horizontal superior	79
Figura 78 – Roldana aislante de la canalización de cables vertical	79
Figura 79 – Bloque de terminales desprendible	79

Figura 80 – Típica unidad de desconexión alambrada 80

Figura 81 – Típico ensamble de barras horizontales 81

Figura 82 – Compartimiento de zapatas principales (par de apriete de las conexiones) 82

Figura 83 – Ubicación de los clips para fusibles, tamaños 1 y 2 83

Figura 84 – Verificación de pre-funcionamiento 84

Figura 85 – Típicos puntos de conexión de las barras 89

Figura 86 – Puntos típicos de conexiones de las barras—Acceso principal al ArcBlok con alimentación en la parte superior 89

Figura 87 – Compartimiento de zapatas principales (par de apriete de las conexiones) 90

Figura 88 – Unidad de control 91

Figura 89 – Mecanismo de funcionamiento en la posición de abierto (O/OFF) ... 92

Figura 90 – Aflojando los sujetadores cautivos 92

Figura 91 – Seguros de puerta del CCM con contención de arco 92

Figura 92 – Liberación del dispositivo de bloqueo (si fue provisto) 93

Figura 93 – Bloques de terminales desconectados 93

Figura 94 – Conductores de alimentación y parte superior de los bloques de terminales pasados por los agujeros para cables 94

Figura 95 – Extracción del mecanismo de levas con palancas gemelas 94

Figura 96 – Funcionamiento del enclavamiento del mecanismo a la estructura 94

Figura 97 – Dispositivo bloqueado 94

Figura 98 – Unidad de control extraída 95

Figura 99 – Unidad de control con la placa inferior de la plegada hacia abajo ... 95

Figura 100 –Extracción del pasador de la bisagra 95

Figura 101 –Palanca del operador en posición de abierto (O/OFF) 96

Figura 102 –Aflojamiento de los sujetadores cautivos 97

Figura 103 –Placa de la estación de control desmontada 97

Figura 104 –Palanca de funcionamiento y seguro de enclavamiento 98

Figura 105 –Ensamble de lengüetas 99

Figura 106 –Mecanismo de funcionamiento en la posición de disparado 99

Figura 107 –Inspección de los fusibles 99

Figura 108 –Contactos del arrancador 100

Figura 109 –Dispositivos de control 100

Figura 110 –Disparo del relevador de sobrecarga 101

Figura 111 –Apriete de las conexiones eléctricas 101

Figura 112 –Persianas manuales y automáticas de la barra 102

Figura 113 –Típicos puntos de conexión de las barras 105

Figura 114 –Puntos de inspección después de una falla 106

Figura 115 –Funcionamiento del mecanismo de anulación del bloqueo de la puerta 106

Figura 116 –RSES Motor Logic 108

Figura 117 –Unidad Compac™ 6 clasificada por NEMA 108

Figura 118 –Unidad estándar clasificada por NEMA 108

Figura 119 –Vueltas en bucle 111

Figura 120 –Relevador de sobrecarga Motor Logic (vista desde abajo) 111

Figura 121 –Etiqueta de ajuste de la unidad 112

Figura 122 –Ajuste del disparo magnético en protectores Mag-Gard y TeSys marco B 114

Figura 123 –Ajuste del disparo magnético PowerPact marcos H y J 114

Figura 124 –Ajuste del disparo instantáneo de los interruptores PowerPact marco L 115

Figura 125 –Ajuste del disparo instantáneo PowerPact marco P 116

Figura 126 –Diagrama típico de alambrado para una red Modbus® de 2 hilos . 120

ESPAÑOL

Figura 127 –Diagrama típico de alambrado para redes DeviceNet™ y CANopen (cable 8A)	121
Figura 128 –Diagrama típico de alambrado para una red PROFIBUS	122
Figura 129 –Terminales del módulo de comunicación Motor Logic Plus	126
Figura 130 –Controladores TeSys T	132
Figura 131 –Unidades de control de clasificación NEMA (TeSys T Modbus)	132
Figura 132 –Ubicación típica de las etiquetas de clasificación de contención de arco en las secciones y unidades	139
Figura 133 –Instalación del entrepaño y de la puerta	143
Figura 134 –Entrepaño para los CCM con contención de arco	144
Figura 135 –Corte en la tapa de la canalización de cables vertical (si fue provista)	144
Figura 136 –Desmontaje de la persiana manual de la barra	145
Figura 137 –Enganche del mecanismo de leva	145
Figura 138 –Palancas a ras con el frente del CCM	145
Figura 139 –Apriete de los herrajes del panel de bloqueo de la unidad de control (si fue provisto)	146
Figura 140 –Re-instalación de la unidad de control Compac 6	146
Figura 141 –Conductores de alimentación conectados a las terminales de alimentación	147
Figura 142 –Etiqueta de par de apriete de una unidad típica	147
Figura 143 –Conexión de los conductores de control en los bloques de terminales	147
Figura 144 –Bloque de terminales desprendible	148
Figura 145 –Sustitución del interruptor automático	163
Figura 146 –Alineación de las flechas en los paneles.	165
Figura 147 –Panel derecho (vista lateral)	166
Figura 148 –Instalación del panel derecho en el canal trasero	166
Figura 149 –Barrera fijas de las barras horizontales	167
Figura 150 –Instalación y desmontaje de las barreras de las barras horizontales ..	168
Figura 151 –Barrera instalada y desmontada	168
Figura 152 –Componentes del accesorio de modernización	169
Figura 153 –Eliminación de los soportes existentes en los CCM de 381 mm (15 pulgadas) de profundidad	171
Figura 154 –Soporte de modernización del CCM de 381 mm (15 pulgadas) de profundidad	172
Figura 155 –Soporte de modernización del CCM de 508 mm (20 pulgadas) de profundidad	173
Figura 156 –Colocación del tapón terminal	173
Figura 157 –Soporte (en forma de L) de la barrera de las barras horizontales .	174
Figura 158 –Ensamblajes de entrepaño superior soldado y de relevador	175
Figura 159 –Panel derecho (vista lateral)	175
Figura 160 –Instalación del panel derecho en el canal trasero	176
Figura 161 –Alineación de las flechas en los paneles.	176
Figura 162 –Ubicación de la cubierta de persiana automática para la abertura del panel lateral	179
Figura 163 –Persiana automática de las barras verticales en un CCM (vista frontal)	179
Figura 164 –Instalación del entrepaño—estilo 1	181
Figura 165 –Instalación de la persiana automática de las barras verticales—estilo 1	182
Figura 166 –Desmontaje de la persiana automática de las barras verticales—estilo 1	183
Figura 167 –Instalación del entrepaño—estilo 2	184
Figura 168 –Instalación de la persiana automática de la barra vertical—estilo 2	185
Figura 169 –Desmontaje de la persiana automática de la barra vertical—estilo 2 ..	186

Lista de tablas

Tabla 1 –	Publicaciones relacionadas con el CCM	15
Tabla 2 –	Publicaciones relacionadas con el centro de control de motores inteligentes (CCMi)	16
Tabla 3 –	Peso aproximado de transporte de los CCM.....	20
Tabla 4 –	Valores de par de apriete para la conexión en los compartimientos de zapatas principales.....	82
Tabla 5 –	Valores de par de apriete para la conexión de desconectores principales y alimentadores derivados.....	82
Tabla 6 –	Valores de par de apriete para las conexiones de las barras	90
Tabla 7 –	Valores de par de apriete de la conexiones de las barras	105
Tabla 8 –	Tipos de zapatas y tamaños de cables	110
Tabla 9 –	Conexiones de los conectores de red de los CCMi.....	118
Tabla 10 –	Conexiones de los conectores de la red.....	119
Tabla 11 –	Visualización de errores locales	127
Tabla 12 –	Códigos de línea de comando	128
Tabla 13 –	Descripciones de las direcciones Motor Logic Plus.....	128
Tabla 14 –	Registros de sólo lectura	129
Tabla 15 –	Registros de lectura/escritura	130
Tabla 16 –	Piezas del kit de instalación del entropaño.....	143
Tabla 17 –	Diagnóstico de problemas de los centros de control de motores ...	150
Tabla 18 –	Piezas del kit de instalación del entropaño—estilo 1.....	181
Tabla 19 –	Piezas del kit de instalación del entropaño—estilo 2.....	184

Sección 1—Acerca de los centros de control de motores modelo 6

Los centros de control de motores (CCM) son el método más adecuado de agrupación de dispositivos de control de motores eléctricos y afines en una instalación compacta y económica independiente. Un centro de control de motores de secciones verticales estandarizadas consta de estructuras atornilladas totalmente independientes, con frente muerto, dentro de un gabinete. Estas secciones soportan y alojan las unidades de control, un juego de barras de distribución común para distribuir alimentación a las unidades de control, y una red de canalizaciones de cables y áreas de entrada de conductores para acomodar los cables salientes de carga y control.

Las unidades de control contienen componentes como arrancadores de motor combinados, dispositivos alimentadores de derivación y tableros de alumbrado. Cada uno de estos componentes viene de fábrica montado en un compartimiento individual aislado con su propia tapa. Cuando se selecciona un arreglo frontal en el tablero, todas las unidades vienen de fábrica montadas en la parte frontal del CCM. Se utiliza una sección de 381 mm (15 pulg) o 508 mm (20 pulg) de profundidad para un montaje frontal en el tablero. El ancho normal del CCM es de 508 mm (20 pulg) con una canalización de cables vertical de 102 mm (4 pulg).

También está disponible una sección opcional de 635 mm (25 pulg) con una canalización de cables de 229 mm (9 pulg) y secciones más grandes para montar equipo más grande. Cuando se selecciona un arreglo “espalda con espalda”, las unidades se montan en ambos, el frente y el dorso de estructuras de 787 mm (31 pulg) o 1 041 mm (41 pulg) de profundidad, separadas aproximadamente 25 mm (1 pulg) una sección con otra. La altura normal de todas las estructuras del CCM es de 2 324 mm (91,5 pulg) sin considerar los 76,2 mm (3 pulgadas) del ángulo de levantamiento.

NOTA: Los CCM modelo 6 pueden equiparse con cajas de derivación que pueden agregarle hasta 18 pulg de altura a la sección. Los CCM con opciones de entrada de ArcBlok™ en la parte superior, tendrán una caja de derivación de 18 pulg como estándar.

Los CCM modelo 6 están disponibles con una opción de contención de arco que proporciona una clasificación de contención de arco probada según las pautas de la norma C37.20.7-2007 de ANSI. Funciones adicionales de reducción de presión y refuerzo han sido agregadas al CCM modelo 6 para cumplir con éstos requisitos. Consulte la norma C37.20.7-2007 de ANSI para obtener los requisitos de la prueba específica a la que ha sido sometido el CCM modelo 6 con contención de arco.

El CCM modelo 6 con contención de arco puede proporcionar contención de arco mejorada en caso de una falla de arqueo dentro del CCM. Esta es una función valiosa junto con otras mejoras de destello de arco disponibles con los CCM modelo 6. Póngase en contacto con su representante local de Schneider Electric para obtener más información sobre las opciones de destello de arco del CCM modelo 6.

Un CCM modelo 6 con la opción de contención de arco incluye una etiqueta (figura 1) que indica el funcionamiento y requisitos necesarios para mantener la clasificación. La contención de arco es aplicable para el frente, los lados y la parte posterior del CCM (definida como tipo 2 en la norma C37.20.7-2007 de ANSI).

Este boletín contiene instrucciones específicas de mantenimiento, modificación y ampliación de un CCM modelo 6 con contención de arco. Estas instrucciones se deben seguir para mantener la clasificación de contención de arco del CCM. Para lograr la clasificación de contención de arco, se deberá cumplir con los requisitos adicionales, consulte la página 14 (Requisitos para dispositivo de protección contra sobrecorriente (DPCS) del lado de la fuente para CCM con clasificación de contención de arco nominal de 100 milisegundos).

NOTA: La aplicación de la opción de contención de arco en el CCM modelo 6 que cumple con los requisitos de la norma C37.20.7-2007 del ANSI, no elimina los requisitos para el uso de equipo de protección personal (EPP).

Figura 1 – Etiqueta de la opción de clasificación de contención de arco nominal de 100 ms para el CCM modelo 6 y su ubicación típica en el gabinete

Información de contención de arco

Este centro de control de motores ha sido probado y cumple con los requisitos de la norma C37.20.7 de ANSI en el siguiente nivel:

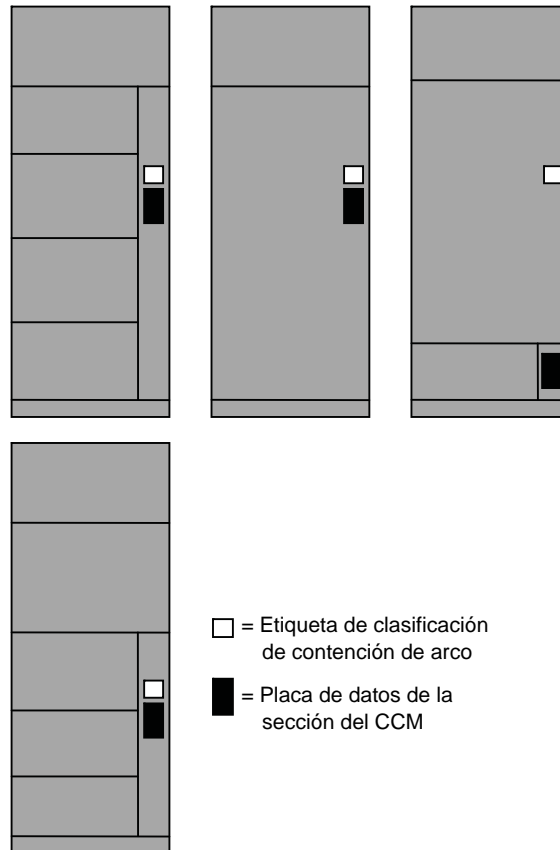
- El acceso es de tipo 2
- La protección de un evento de arco interno es "DISPOSITIVO LIMITADO"
- El tiempo máximo de restablecimiento del dispositivo de protección será de 50 milisegundos
- La corriente máxima de cortocircuito es de 65 000 amperes simétricos rcm
- La duración del arco es de 100 milisegundos

Atención

Los valores nominales arriba son aplicables cuando todas las siguientes condiciones se cumplen:

- Se siguen todas las instrucciones de instalación, funcionamiento y servicios de mantenimiento, suministradas por la fábrica
- El equipo debe estar eléctricamente coordinado y protegido por un interruptor automático o fusibles como se describe en el documento 80459-641-01
- Todas las unidades montadas en el centro de control de motores están etiquetadas como "Unidad con contención de arco"
- Si es empalmada a otra sección, ésta debe ser un centro de control de motores modelo 6 que haya sido certificado para cumplir con los requisitos de la norma C37.20.7 de ANSI
- Todas las puertas están cerradas y todos herrajes están en su lugar
- Todas las cubiertas y paneles exteriores están bien sujetados con todos los herrajes provistos
- Todas las barreras están instaladas y bien sujetadas con todos los herrajes provistos
- La tensión no excede el valor nominal indicado en la placa de datos
- No se han realizado modificaciones a los componentes estructurales de unidades/secciones o al circuito de alimentación, suministrados de fábrica
- Si este equipo ha sufrido daño alguno, póngase en contacto con el departamento de servicios de Schneider Electric para gestionar la reparación del equipo.

Para obtener información adicional, consulte el boletín de instrucciones 80459-641-01.



ESPAÑOL

Requisitos para dispositivo de protección contra sobrecorriente (DPCS) del lado de la fuente para CCM con clasificación de contención de arco nominal de 100 milisegundos

El DPCS externo a un lado de la fuente del CCM debe cumplir con los siguientes criterios:

1. La corriente nominal del DPCS del lado de la fuente debe ser igual o menor que valor nominal del dispositivo principal y la barra principal del CCM.
2. La tensión nominal del DPCS del lado de la fuente debe ser igual o mayor que la tensión nominal del CCM. La tensión máxima es de 600 V.
3. El valor nominal de interrupción del DPCS del lado de la fuente debe ser igual o mayor que la corriente de cortocircuito disponible. La corriente máxima de cortocircuito disponible es de 65 000 A.
4. El ajuste de disparo instantáneo (si está disponible) del DPCS del lado de la fuente no debe estar en la posición OFF (desactivado) y debe estar ajustado en disparo en un valor igual o inferior a 35 000 A.
5. El ajuste de disparo de tiempo corto (si está disponible) del DPCS del lado de la fuente debe ser ajustado en la posición OFF (desactivado); no se permite retardo intencional.
6. Interruptores automáticos aprobados que pueden utilizarse como el DPCS del lado de la fuente:
 - Interruptores automáticos PowerPact™ marco B de 15 a 125 A, fabricados por Schneider Electric
 - Interruptores automáticos PowerPact™ marco H de 15 a 150 A, fabricados por Schneider Electric
 - Interruptores automáticos PowerPact marco J de 175 a 250 A, fabricados por Schneider Electric
 - Interruptores automáticos PowerPact marco L de 300 a 600 A equipados con unidades de disparo Micrologic™, fabricados por Schneider Electric
 - Interruptores automáticos PowerPact marco PJ o PL de 700 a 1 200 A equipados con unidades de disparo Micrologic, fabricados por Schneider Electric
 - Interruptores automáticos PowerPact marco R de 1 200 a 2 500 A, equipados con unidades de disparo MicroLogic, fabricados por Schneider Electric
 - Interruptores automáticos Masterpact™ NT de 800 a 1 200 A equipados con unidades de disparo Micrologic, fabricados por Schneider Electric
 - Interruptores de potencia Masterpact NW de 1 600 a 2 500 A equipados con unidades de disparo Micrologic, fabricados por Schneider Electric
7. Fusibles aprobados que pueden utilizarse como el DPCS del lado de la fuente:
 - 15–600 A, aprobados por UL, clase RK1 de cualquier fabricante
 - 15–600 A, aprobados por UL, clase RK5 de cualquier fabricante
 - 15–600 A, aprobados por UL, clase J de cualquier fabricante
 - 700–2 500 A, aprobados por UL, clase L de cualquier fabricante

Lista de publicaciones de Schneider Electric

A continuación se presenta una lista de las publicaciones de Schneider Electric que le pueden ser útiles durante los servicios de mantenimiento y el funcionamiento normal de los CCM modelo 6. Su representante local de Schneider Electric puede proporcionárselos a solicitud. O bien, puede obtener un archivo electrónico de éstos documentos de la biblioteca técnica en el sitio www.schneider-electric.us/en/download.

Tabla 1 – Publicaciones relacionadas con el CCM

Núm. de publicación	Título	Núm. de publicación	Título
8998CT9701	Centros de control de motores (clase 8998, modelo 6)	30072-013-26	Contactores y arrancadores magnéticos de ~ tamaño 4
80444-233-01	Variadores de velocidad ajustable Altivar™ 61/71 en centros de control de motores	30072-013-47	Contactores y arrancadores magnéticos de ~ tamaño 5
80438-069-02	Unidades de arranque suave Altistart™ 48 en centros de control de motores	30072-013-60	Contactores y arrancadores magnéticos de ~ tamaño 6
80439-666-01	Sustitución del ensamble de seccionador desconectador	3020IM9503	Power Meter de PowerLogic™
80445-750-01	Restricciones de ubicación para la instalación de una unidad de comprobación de ausencia de tensión (AVT) VeriSafe™ en un centro de control de motores (CCM) modelo 6	3020IM9806	Manual de referencia del monitor de circuitos PowerLogic serie 2000
80459-652-01	Arrancadores suaves Altistart 22 en centros de control de motores	63230-400-207	Manual de referencia del monitor de circuitos PowerLogic serie 3000
80459-654-01	Centros de control de motores modelo 6 con contención de arco	63230-300-213	Manual de referencia del monitor de circuitos PowerLogic serie 4000
80459-655-01	Unidad de inserción/extracción con puerta cerrada (CDR) para los centros de control de motores de baja tensión (LVMCC) modelo 6 marca Square D™	0100CT1901	Compendiado Schneider Electric
80459-656-01	Instrucciones de empalme (1 600 A)	63230-500-224	Manual de instalación de central de medida PowerLogic™ de la serie 800 (PM820, PM850, PM870)
80466-258-01	Instalación de un kit de caja de derivación en el centro de control de motores (CCM) modelo 6 con contención de arco (AR) marca Square D™	63230-500-225	Guía del usuario de central de medida PowerLogic™ de la serie 800 (PM810, PM820, PM850, PM870)
48040-732-04	Interruptores automáticos LC y LI	NHA80932	Manual de instalación de los variadores de velocidad Altivar Process ATV930, ATV950
48049-034-04	Interruptores automáticos LA, LAMC, LH, LHMC, SLA y Q4	NHA80757	Manual de programación de los variadores de velocidad Altivar Process ATV930, ATV950, ATV960, ATV980
48940-115-03	Interruptores automáticos de disparo instantáneo GJL Mag-Gard	EAV64301	Manual de instalación de los variadores de velocidad Altivar Process ATV630, ATV650
48940-260-01	Configuraciones del protector de circuitos del motor (PCM) para los protectores de circuitos del motor PowerPact marcos H y J	EAV64318	Manual de programación de los variadores de velocidad Altivar Process ATV630, ATV650, ATV660
48940-274-01	Instalación de los interruptores automáticos PowerPact™ de disparo electrónico marcos H y J	HRB1684301	Manual del usuario de PowerLogic de la serie PM5500
S1A10942	Guía de inicio rápido — ATV312	7EN02-0336	Manual del usuario de PowerLogic de la serie PM8000
30072-013-29	Relevadores de sobrecarga de estado sólido Motor Logic™	NVE78642	Guía de instalación de PowerLogic Serie ION9000
30072-013-98	Relevador de sobrecarga de estado sólido programable Motor Logic Plus™	7EN02-0390-00	Manual del usuario de PowerLogic Serie ION9000
30072-013-99	Software Solutions Motor Logic Plus	QGH42230	Guía de instalación de la pantalla RD192 PowerLogic
30072-013-101	Kit de zapata-zapata Motor Logic Plus	NVE41289	Manual de instalación de los variadores de velocidad Altivar Machine ATV320 para motores síncronos y asíncronos

Tabla 1 – Publicaciones relacionadas con el CCM (continuación)

Núm. de publicación	Título	Núm. de publicación	Título
30072-013-102	Módulo de comunicación de red Motor Logic Plus	NVE41295	Manual de programación de los variadores de velocidad Altivar Machine ATV320 para motores síncronos y asíncronos
30072-013-52	Contactores y arrancadores magnéticos de ~ tamaño 00	DOCA0102EN	Guía del usuario de la Unidad de control Masterpact MTZ Micrologic X
30072-013-22	Contactores y arrancadores magnéticos de ~ tamaño 0	PHA53377	Hoja de instrucciones de desempaque del Masterpact MTZ
30072-013-23	Contactores y arrancadores magnéticos de ~ tamaño 1	NVE35470	Hoja de instrucciones del interruptor automático extraíble o del desconectador-disyuntor del Masterpact MTZ2, MTZ3
30072-013-24	Contactores y arrancadores magnéticos de ~ tamaño 2	MFR21149	Boletín de instrucciones del kit de llave de monitoreo térmico
30072-013-25	Contactores y arrancadores magnéticos de ~ tamaño 3		

Tabla 2 – Publicaciones relacionadas con el centro de control de motores inteligentes (CCMi)

Núm. de publicación	Título	Núm. de publicación	Título
atv71_parameters_en	Manual del usuario de los parámetros de comunicación Altivar® 71	1639576	Guía de inicio rápido del controlador de gestión de motores Modbus/TCP TeSys T LTM R
atv71_programming_manual_en	Manual de programación Altivar 71	1639581	Manual del usuario de la unidad del operador de control TeSys T LTM CU
atv71_Modbus_EN	Tarjeta Modbus®/Uni-Telway™ para Altivar 71—Protocolo Modbus	1639508_01a55	LTM R – Hoja de instrucciones
atv71_Uni-Telway_EN	Tarjeta Modbus/Uni-Telway para Altivar 71 —Protocolo UniTelway	1639509_01a55	LTM E – Hoja de instrucciones
BBV46391	Manual de instalación de los variadores de velocidad de ~ Altivar 312	1639582_01a55	LTM CU – Hoja de instrucciones
BBV46385	Manual de programación de los variadores de velocidad de ~ Altivar 312	840USE10000	Serie de automatización TSX Quantum de Modicon™
890USE10300	Guía del usuario del multiplexor en puente BM85 de la red Modbus Plus™ de Modicon	840USE11300	Bloque de función XMIT de Modicon
Modicon TSX Quantum Automation Series	www.modicon.com/specguide98/	840USE11600	Guía del usuario del módulo Ethernet Quantum NOE 771 X0
PI-MBUS-300	Guía de referencia del protocolo Modbus – Modicon	870USE00200	Guía del usuario de la base de E/S TSX Momentum™
30072-013-98	Relevador de sobrecarga de estado sólido programable Motor Logic Plus™	870USE10100	Manual del usuario del adaptador del procesador M1 TSX Momentum de Modicon y opción
30072-013-99	Software Solutions para el RSES Motor Logic Plus	870USE11400	Adaptador de comunicaciones Ethernet
30072-013-101	Kit de zapata-zapata Motor Logic Plus	890USE10000	Guía de planeación/instalación de la red Modbus Plus de Modicon
30072-013-102	Módulo de comunicación de red Motor Logic Plus	3000DB0001	Guía de arquitectura y aplicación del sistema PowerLogic™
30072-450-61	Controladores de arranque suave Altistart™ 48 gama Y	3020IB9818	Módulo de comunicación Ethernet PowerLogic, modelos ECM-2000 y ECM-RM
1639501	Manual del usuario del controlador de gestión de motores Modbus TeSys™ T LTM R	63230-500-200	Manual de instalación del Power Meter de PowerLogic serie 800—PM810
1639502	Manual del usuario del controlador de gestión de motores PROFIBUS TeSys T LTM R	63230-500-224	Manual de instalación del Power Meter de PowerLogic serie 800—PM820, PM850, PM870
1639503	Manual del usuario del controlador de gestión de motores CANopen TeSys T LTM R	63230-400-204	Manual de instalación del monitor de circuitos PowerLogic serie 3000

Tabla 2 – Publicaciones relacionadas con el centro de control de motores inteligentes (CCMi) (continuación)

Núm. de publicación	Título	Núm. de publicación	Título
1639504	Manual del usuario del controlador de gestión de motores DeviceNet™ TeSys T LTM R	63230-300-209	Manual de instalación del monitor de circuitos PowerLogic serie 4000
1639505	Manual del usuario del controlador de gestión de motores Modbus/TCP TeSys T LTM R	3050IM9601	Pasarela Ethernet PowerLogic
1639572	Guía de inicio rápido del controlador de gestión de motores Modbus TeSys T LTM R	3080HO9601	Software System Manager™ SMS-3000
1639573	Guía de inicio rápido del controlador de gestión de motores PROFIBUS-DP® TeSys T LTM R	3080IB9803	PL, PowerLogic System Manager 3000
1639574	Guía de inicio rápido del controlador de gestión de motores CANopen TeSys T LTM R	3080IM9603	Unidad Ethernet para System Manager
1639575	Guía de inicio rápido del controlador de gestión de motores DeviceNet TeSys T LTM R	NHA80940	Manual de Ethernet integrado, Altivar Process 900
EAV64327	Manual de Ethernet integrado, variadores de velocidad Altivar Process ATV600 para motores síncronos y asíncronos	NHA80941	Manual de PROFIBUS DP, Altivar Process 900 - VW3A3607
EAV64328	Manual de Ethernet IP y Modbus TCP, variadores de velocidad Altivar Process ATV600 para motores síncronos y asíncronos – VW3A3720	NHA80942	Manual de DeviceNet, variadores de velocidad Altivar Process 900 para motores síncronos y asíncronos – VW3A3609
EAV64329	Manual de PROFIBUS DP, Altivar Process 600 - VW3A3607	NHA80945	Manual de CANopen, Altivar Process 900 – VW3A3608, 618, 628
EAV64330	Manual de DeviceNet, variadores de velocidad Altivar Process 600 para motores síncronos y asíncronos – VW3A3609	NHA80946	Manual de EtherCAT, variadores de velocidad Altivar Process 900 - VW3A3601
EAV64333	Manual de CANopen, variadores de velocidad Altivar Process ATV600 para motores síncronos y asíncronos – VW3A3608, 618, 628		

Sección 2—Precauciones de seguridad

Asegúrese de leer y seguir detenidamente las precauciones de seguridad antes de levantar, desplazar, instalar, usar, o prestar servicios de mantenimiento a los CCM modelo 6 y sus componentes.

⚠ PELIGRO

PELIGRO DE DESCARGA ELÉCTRICA, EXPLOSIÓN O DESTELLO POR ARQUEO

- Utilice equipo de protección personal (EPP) apropiado y siga las prácticas de seguridad eléctrica establecidas por su Compañía. Consulte la norma 70E de NFPA o NOM-029-STPS-2011.
- Solamente el personal eléctrico especializado deberá instalar y prestar servicio de mantenimiento a este equipo.
- Solamente el personal especializado deberá realizar tareas al equipo eléctrico de acuerdo con todos los códigos y reglamentos eléctricos nacionales y locales aplicables.
- Asegúrese de leer y entender todas las instrucciones de este boletín antes de realizar cualquier trabajo en este equipo.
- Siga todos los procedimientos de seguridad definidos en la norma 70E de NFPA y la norma 1910.331-335 de OSHA así como aquéllas establecidas para la ubicación específica en que se instalará el equipo.
- Desenergice el equipo antes de realizar cualquier trabajo en él.
- Suponga que todos los circuitos están “vivos” hasta que hayan sido completamente desenergizados, probados, bloqueados y etiquetados (según la norma 1910.147 de OSHA). Preste particular atención al diseño del sistema de alimentación. Tome en consideración todas las fuentes de alimentación, incluyendo la posibilidad de retroalimentación.
- Siempre utilice un dispositivo detector de tensión nominal adecuado para confirmar la desenergización del equipo.
- Vuelva a colocar todos los dispositivos, las puertas y las cubiertas antes de energizar este equipo.

El incumplimiento de estas instrucciones podrá causar la muerte o lesiones serias.

⚠ ADVERTENCIA

COMPROMISO POTENCIAL DE DISPONIBILIDAD, INTEGRIDAD Y CONFIDENCIALIDAD DEL SISTEMA

- Cambie las contraseñas predeterminadas para ayudar a prevenir el acceso no autorizado a la información y configuraciones del dispositivo.
- Desactive los puertos y/o servicios que no se utilizan así como cuentas predeterminadas, donde sea posible, para minimizar vías para ataques maliciosos.
- Coloque los dispositivos conectados a una misma red detrás de varias capas de defensa cibernética (tales como firewalls, segmentación de la red así como protección y detección de intrusiones en la red).
- Utilice las mejores prácticas de seguridad cibernética (por ejemplo: mínimo privilegio, separación de funciones) para ayudar a prevenir la exposición no autorizada, pérdida, modificación de datos y registros, la interrupción de los servicios, o una operación involuntaria.

El incumplimiento de estas instrucciones puede causar la muerte, lesiones serias, daño al equipo o pérdida de datos.

⚠ ADVERTENCIA : Este producto puede exponerle a químicos incluyendo compuestos de níquel, que son conocidos por el Estado de California como causantes de cáncer, y Bisfenol A (BPA), que es conocido por el Estado de California como causante de defectos de nacimiento u otros daños reproductivos. Para mayor información, visite www.P65Warnings.ca.gov.

Sección 3—Recibo, manejo y almacenamiento de los CCM

Los CCM han sido contruidos en bloques de embarque de hasta un máximo de tres secciones verticales. Esto facilita su manejo durante el transporte e instalación. Las barras horizontales principales de todos los bloques de embarque se empalmarán en el sitio de trabajo utilizando barras de empalme horizontales cautivas.

Antes de salir de la fábrica, analistas profesionales de control de calidad realizan una inspección visual, eléctrica y mecánica a los CCM. La certificación de las pruebas de control de calidad están disponibles a solicitud.

Una vez realizado el control de calidad, cada bloque de embarque se empaca y monta cuidadosamente en un patín (ver las figuras 2 y 3).

Figura 2 – Centro de control de motores envasado en posición lateral (típico para la mayoría de las secciones)



Figura 3 – Centro de control de motores envasado en posición vertical (típico para secciones muy pesadas, por ejemplo, variadores de velocidad de 18 impulsos como opción del cliente)



Recibo de los CCM

Al recibir los CCM, realice una inspección visual para determinar si han ocurrido daños durante su transporte. La entrega del equipo a la compañía de transporte, en cualquiera de las plantas u cualquier otro punto de embarque de Schneider Electric, constituye la entrega al comprador. El título y todos los riesgos de pérdida o daños de transporte se transfieren al comprador en ese momento. Consulte las Condiciones de venta de Schneider Electric para obtener más detalles. Todos los reclamos por pérdidas o daños deberán ser presentados por el comprador a la compañía de transporte.

Si se retira el material de embalaje, vuélvalo a colocar para protegerlo y deberá permanecer en el CCM hasta su instalación.

Manejo de los CCM

⚠ ADVERTENCIA

PELIGRO DE LESIONES CORPORALES O DAÑO AL EQUIPO

- Proceda con mucha precaución al mover las secciones. Los CCM tienen un centro de gravedad alto, el cual puede hacer que se incline el equipo.
- No intente levantar o instalar dispositivos de levantamiento en las secciones equipadas con cajas de extracción.

El incumplimiento de estas instrucciones puede causar la muerte o lesiones serias.

Equipo necesario

Se deberá disponer de equipo adecuado, por ejemplo montacargas, grúas o varillas y rodillos de tubo, al manejar los CCM. La tabla 3 indica el peso aproximado de transporte de las secciones equipadas con unidades típicas. Si necesita más información sobre el peso exacto de los envíos para su configuración particular, póngase en contacto con el grupo de asistencia técnica del CCM llamando al 800-634-2003.

Tabla 3 – Peso aproximado de transporte de los CCM

Tipo de gabinete		Profundidad	Una sección	Dos secciones	Tres secciones
1, 1A, 12		381 mm (15 pulg)	272 kg (600 lbs)	544 kg (1 200 lbs)	816 kg (1 800 lbs)
3R en los que no puede entrar una persona		381 mm (15 pulg) (676 mm / 26,6 en total)	408 kg (900 lbs)	816 kg (1 800 lbs)	1 225 kg (2 700 lbs)
1, 1A, 12		508 mm (20 pulg)	340 kg (750 lbs)	680 kg (1 500 lbs)	1 021 kg (2 250 lbs)
3R en los que no puede entrar una persona		508 mm (20 pulg) (803 mm / 31,6 pulg en total)	476 kg (1 050 lbs)	953 kg (2 100 lbs)	1 429 kg (3 150 lbs)
Variador de velocidad de 18 impulsos	1 270 mm de ancho (50 pulg)	508 mm (20 pulg)	N/D	956 kg (2 107 lbs)	N/D
	1 651 mm de ancho (65 pulg)			1 277 kg (2 816 lbs)	

Desplazamiento de los CCM

El peso de los CCM varía según el tipo y profundidad del gabinete, como se muestra en la tabla 3 en la página 20. Para minimizar el riesgo de lesiones personales y daño al equipo mientras desplaza los CCM, observe lo siguiente:

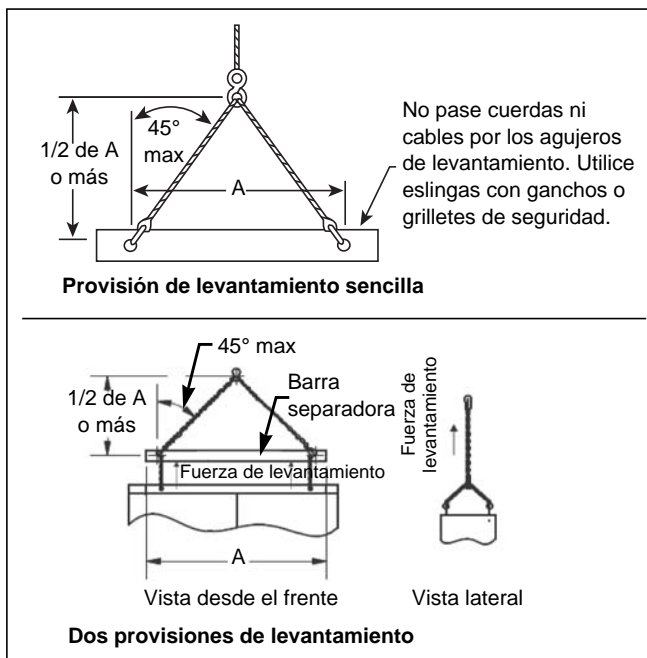
- Proceda con precaución al mover equipo pesado.
- Asegúrese de que el equipo que utiliza para mover los CCM sea adecuado para su peso.
- Los montacargas, si están disponibles, son un método conveniente para mover los CCM (figura 4). Al retirar un CCM de la plataforma de embarque de mercancías, con cuidado equilibre y sujételo empleando una correa de seguridad.

NOTA: Las secciones estándar son envasadas y enviadas en posición lateral, como se muestra en la figura 2 en la página 19 y figura 4. Las secciones muy pesadas, por ejemplo los variadores de velocidad de 18 impulsos, son envasados y enviados en posición vertical, como se muestra en la figura 3 en la página 19. Las secciones de CCM también pueden ser envasadas y enviadas en posición vertical a solicitud del cliente.

Figura 4 – Desplazamiento de los CCM con un montacargas



Figura 5 – Uso apropiado de una eslinga para levantar un CCM



- Cada bloque de embarque cuenta con provisiones de levantamiento para manejar los CCM con grúas aéreas. Tome las siguientes precauciones cuando emplee una grúa:
 - a. Maneje los CCM en posición vertical solamente.
 - b. Seleccione longitudes de cuerda apropiadas para compensar cualquier desigualdad en la distribución de peso.
 - c. No exceda el ángulo máximo de 45° entre la vertical y los cables de levantamiento (figura 5).
 - d. Utilice eslingas solamente con ganchos o grilletes de seguridad. No pase cuerdas ni cables por los agujeros en las provisiones de levantamiento.

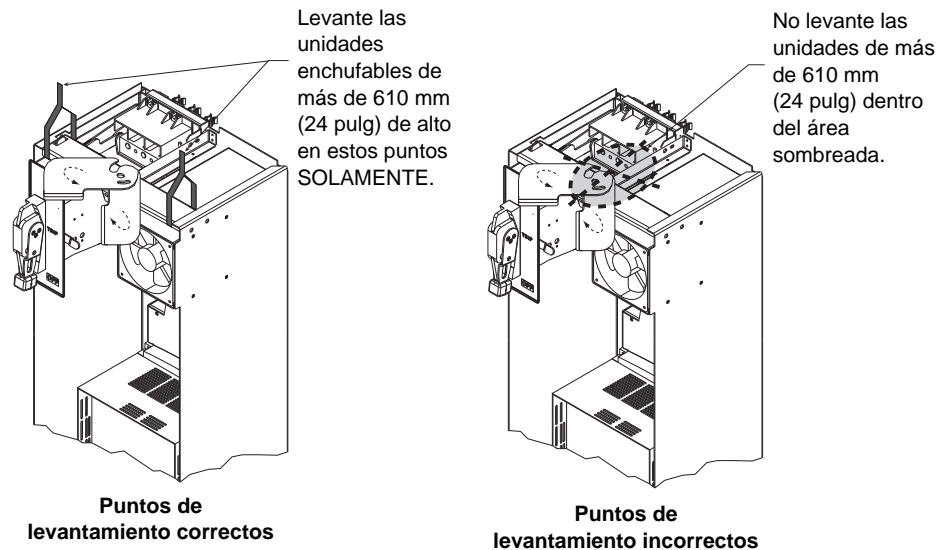
Una vez que la sección de embarque está en su lugar, es posible retirar y desechar las provisiones de levantamiento. Para evitar que entre material extraño al equipo, vuelva a colocar todos los herrajes que sujetan las provisiones de levantamiento.

Los CCM modelo 6 con opción de contención de arco deben tener la provisión de levantamiento desmontada para mantener la clasificación de contención de arco y permitir el correcto funcionamiento de los deflectores de ventilación de contención de arco. Conserve los herrajes de la provisión de levantamiento para instalar el ensamble de la placa superior (enviado por separado para los CCM con contención de arco).

A los CCM modelo 6 con la opción ArcBlok, se les debe retirar y desechar el ángulo de levantamiento. Luego, la cubierta de ventilación debe colocarse en la ubicación de la ventilación. Para prevenir el ingreso de materias extrañas, reemplace el hardware que aseguraba el ángulo de levantamiento.

NOTA: No intente levantar o instalar dispositivos de levantamiento en las secciones equipadas con cajas de extracción.

Figura 6 – Puntos de levantamiento correctos/incorrectos para las unidades enchufables de más de 610 mm (24 pulg) de alto



Observe las siguientes precauciones para las unidades del CCM enviadas al sitio del cliente como una unidad enchufable:

- Al levantar las unidades enchufables de más de 610 mm (24 pulg) de alto se necesitan dos o más personas para levantarlas; además, se deberán tener en cuenta precauciones de manejo especiales.
- Si se usan dispositivos de levantamiento, consulte la figura 6 para conocer los puntos de levantamiento apropiados.

Antes de instalar las unidades de control del CCM, localice y vuelva a apretar cualquier conexión que pudo haberse aflojado durante su envío y manejo. Consulte los procedimientos en “Instalación de unidades CCM adicionales” en la página 143 de este boletín de instrucciones.

Almacenamiento de los CCM

AVISO

PELIGRO DE DAÑO AL EQUIPO

Nunca almacene los CCM en una ubicación exterior. Su almacenamiento fuera de un edificio no es adecuado, aun cuando está protegido con una lona.

El incumplimiento de esta instrucción puede causar daño al equipo.

Si los CCM no se ponen en servicio al recibirlos, guárdelos en un lugar limpio, seco y ventilado sin exponerlos a excesos de temperatura. Las temperaturas de almacenamiento aceptables varían entre 0 °C y 40 °C (32 °F y 104 °F). Los niveles de humedad aceptables son de 0 a 95%, sin condensación.

Si el área de almacenamiento está fría y/o existe humedad, utilice un calefactor para evitar condensación dentro de los CCM. Póngase en contacto con su representante local de ventas de Schneider Electric para obtener requisitos específicos.

Sección 4—Instalación de los CCM

En esta sección se explica cómo situar, instalar y conectar los gabinetes de los CCM modelo 6, y cómo empalmar la barra de alimentación y de tierra. Consulte los dibujos de elevación frontal del CCM provistos por Schneider Electric para conocer la ubicación/colocación de las divisiones/secciones de embarque dentro de la formación del CCM. Para obtener información relacionada con el desmontaje e instalación de unidades existentes y nuevas, consulte la “Sección 10—Expansión” en la página 139 o la información incluida con el equipo nuevo.

Ubicación de los CCM

ESPAÑOL

⚠ PELIGRO

PELIGRO DE DESCARGA ELÉCTRICA, EXPLOSIÓN O DESTELLO POR ARQUEO

- Utilice equipo de protección personal (EPP) apropiado y siga las prácticas de seguridad en trabajos eléctricos establecidas por su Compañía, consulte la norma 70E de NFPA o Z462 de CSA y NOM-029-STPS.
- Solamente el personal eléctrico especializado deberá instalar y prestar servicio de mantenimiento a este equipo.
- Desenergice el equipo antes de realizar cualquier trabajo en él.
- Siempre utilice un dispositivo detector de tensión nominal adecuado para confirmar la desenergización del equipo.
- Vuelva a colocar todos los dispositivos, las puertas y las cubiertas antes de energizar este equipo.
- Al mover las secciones de un CCM, siga las instrucciones detalladas en “Manejo de los CCM” en la página 20. Los CCM tienen un centro de gravedad alto, el cual puede hacer que se incline el equipo.

El incumplimiento de estas instrucciones podrá causar la muerte o lesiones serias.

Los CCM han sido diseñados para usarse en lugares no peligrosos. Elija una ubicación para la instalación que esté bien ventilada y libre de humedad, polvo y suciedad excesivos. La temperatura del área no deberá ser menor que 0 °C (32 °F) ni mayor que 40 °C (104 °F). Proteja el gabinete evitando que entre agua o que se cree humedad.

Requisitos de espacio

Instale los CCM en un área con un espacio libre mínimo de 0,9 m (3 pies) al frente de una construcción “frontal en el tablero”. Se necesitan 0,9 m (3 pies) adicionales detrás de una construcción “espalda con espalda”. Esto proporciona el espacio libre adecuado para desmontar e instalar las unidades (es posible que algunas aplicaciones requieran más espacio; consulte las normas de instalación nacionales y locales correspondientes). Deje un espacio de por lo menos 13 mm (0,5 pulg) entre la parte posterior de los CCM de construcción “frontal en el tablero” y la pared. En las ubicaciones con humedad, deje por lo menos 152 mm (6 pulg).

Al seleccionar una ubicación para la instalación de un CCM, considere cuidadosamente su acceso, espacio libre en la parte superior y futuras

expansiones. Al considerar estos factores se eliminarán muchas dificultades durante ésta y futuras instalaciones del CCM.

NOTA: Los CCM modelo 6 con opción de contención de arco tienen deflectores de techo de reducción de presión para ventilación (por la parte superior) de los gases de falla de arco. Estos CCM requieren un espacio libre mínimo de 724 mm (28,5 pulg) desde la placa superior del CCM al obstáculo más cercano [altura mínima del techo de 3 m (10 pies) incluyendo el canal de montaje]. Consulte la declaración de riesgo especial (a continuación) sobre el espacio libre necesario por encima del equipo.

⚠ PELIGRO

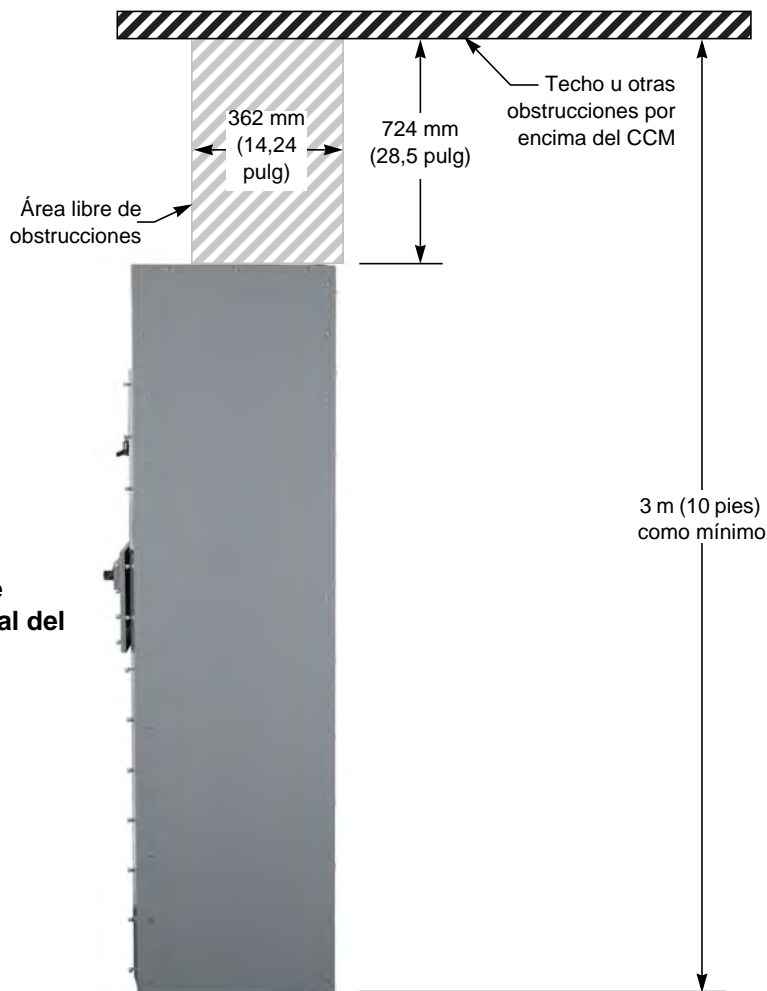
RIESGO DE QUEMADURA A CONSECUENCIA DE GASES CALIENTES

- Utilice equipo de protección personal (EPP) apropiado y siga las prácticas de seguridad en trabajos eléctricos establecidas por su Compañía, consulte la norma 70E de NFPA o Z462 de CSA y NOM-029-STPS.
- Mantenga el área directamente por encima del equipo libre y sin obstrucciones a una distancia de 724 mm (28,5 pulg) desde el techo.

El incumplimiento de estas instrucciones podrá causar la muerte o lesiones serias.

Vea la figura 7 para conocer el área requerida por encima del CCM con contención de arco nominal que debe estar libre de obstrucciones.

Figura 7 – Área requerida libre de obstrucciones



Alineación de los CCM

Los CCM se montan en la fábrica en una superficie lisa y nivelada para obtener una alineación apropiada de todas las secciones. Para la instalación deberá estar disponible una superficie lisa y nivelada similar. Una cimentación desigual puede causar la desalineación de los bloques de transporte, las unidades y las puertas. La superficie debajo de un CCM debe ser de un material no combustible, a no ser que se instalen placas en la parte inferior de cada sección vertical.

Conexión de secciones tipo 1/ tipo 1 con empaques/tipo 12

Antes de colocar las secciones del CCM (Figura 8), verifique que no se hayan dañado las barras de distribución ni los aisladores. Si las barras están dobladas o los aisladores están rotos, no instale el CCM. Reporte cualquier daño a la compañía de transporte.

NOTAS:

- Cada bloque de transporte incluye una bolsa con los herrajes de conexión, amarrada al canal de esquina derecha frontal. Las barras de empalme cautivas vienen pre-ensambladas en las barras horizontales situadas a la izquierda de la sección de transporte.

- Consulte “Empaques de empalme para los gabinetes tipo 1 con empaques y tipo 12” en la página 37 para obtener las instrucciones de instalación de los empaques antes de conectar las secciones.

Colocación de los CCM

Para montar y empalmar una sección nueva de un CCM en una sección existente modelo 6, o para unir secciones de transporte, siga estos pasos:

1. Desenergice el equipo antes de realizar cualquier trabajo dentro de él y siga los procedimientos de bloqueo / etiquetado. Siempre utilice un dispositivo detector de tensión nominal adecuado para confirmar la desenergización del equipo.
2. Retire las cubiertas de canalización de cables horizontal superior e inferior en todas las secciones, proporcionando acceso a los tornillos de empalme al frente de cada sección (Figura 8B).

Figura 8 – Vistas del centro de control de motores



Figura 8A: Con todas las cubiertas en su lugar



Figura 8B: Sin las cubiertas de canalización de cables horizontal superior



Figura 8C: Con las barreras de dos piezas de las barras desmontadas (conexión de empalme realizada)

3. Para obtener acceso a las provisiones de empalme de barras de cada sección, deslice los paneles de las barreras de dos piezas de las barras (vea la figura 8C) en las secciones adyacentes a una conexión de empalme (las secciones izquierda y derecha).
4. Asegúrese de sujetar la(s) estructura(s) al piso y a la pared. Consulte las páginas 30 a 36 para conocer las ubicaciones de sujeción.
5. Al sujetar un CCM por los canales de la base y/o provisiones de levantamiento, levántelo para colocar en su lugar. Los bordes delanteros de los canales de montaje deben estar alineados para formar un frente continuo en línea recta. Utilice una línea de gis, hilo u otro método para alinear los canales de montaje frontales en una línea recta.
6. Inserte una barra de punta o una palanca en las muescas en los canales de la base, para desplazar cuidadosamente las secciones hasta alinearlas (Figura 9).

NOTA: Proceda con precaución al mover las secciones de los CCM, ya que son muy pesadas en su parte superior. Consulte “Manejo de los CCM”

on page 20 antes de mover un CCM.

Figura 9 – Muecas en el canal de la base



Conexión de los canales de esquina

Figura 10 – Herrajes de conexión



1. Desenergice el equipo antes de realizar cualquier trabajo dentro de él y siga los procedimientos de bloqueo / etiquetado. Siempre utilice un dispositivo detector de tensión nominal adecuado para confirmar la desenergización del equipo.
 2. Cada bloque de transporte incluye una bolsa con los herrajes de conexión (Figura 10), amarrada al canal de esquina derecha frontal.
 3. Localice las cuatro muescas en forma de semi-círculo en la superficie interior de los canales de la esquina (Figura 11A en la página 29).
 4. Utilice cuatro de los tornillos formadores de roscas de cabeza hexagonal de 3/4 x 1/4-20 incluidos con el kit de herrajes, para unir los canales verticales **frontales** de las esquinas, insertando los tornillos por los agujeros de paso situados en las muescas en forma de semi-círculo y en el agujero formador de roscas correspondiente (Figura 11B).
- NOTA:** Inserte los tornillos ya sea de la izquierda o derecha, según la facilidad de acceso a los agujeros y la configuración del equipo; cualquiera de los lados es apropiado para la conexión.
5. Apriete los tornillos (Figura 11C).
 6. Repita los pasos 3 a 5 para conectar los canales de esquina **trasera**.

NOTA: En algunos casos, los agujeros en los canales traseros sólo estarán accesibles desde la parte posterior del CCM con las placas traseras del CCM desmontadas. Si el CCM no está accesible por la parte posterior, instale tantos tornillos como sea posible desde la parte frontal del CCM (típicamente a través del conducto de cables vertical).

Figura 11 – Unión de las secciones con tornillos

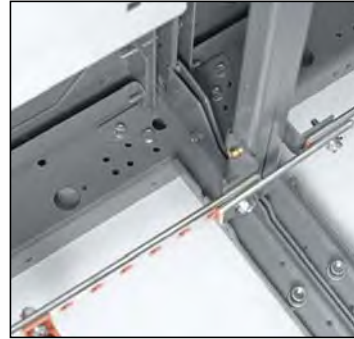
11A

11B

11C



11D: Conexión del canal lateral inferior delantero



11E: Conexión del canal lateral inferior trasero



11F: Conexión del canal lateral superior frontal



11G: Conexión del canal lateral superior trasero (se muestra con las placas traseras del CCM desmontadas)

Conexión de los canales laterales

1. Localice dos agujeros de paso para los herrajes de 1/4-20 en la superficie interior de los canales laterales inferiores de la sección (vea las figuras 11D y 11E). Estos se pueden acceder después de desmontar la cubierta del conducto de cables inferior.
2. Utilice dos de los cuatro tornillos formadores de roscas de cabeza hexagonal de 1-1/4 pulg. x 1/4-20 incluidos en la bolsa de herrajes, para unir los canales laterales inferiores de la sección. El tornillo instalado en la parte delantera se instala desde la sección derecha (vea la figura 11D).
3. El tornillo instalado en la parte posterior se instala desde la sección izquierda (vea la figura 11E).

4. Localice dos agujeros de paso para los herrajes de 1/4-20 en la superficie interior de los canales laterales superiores de la sección. El agujero de paso en la parte frontal está en la sección izquierda y se puede acceder a él al desmontar la cubierta del conducto de cables superior (vea la figura 11F en la página 29).
5. El agujero de paso trasero está en la sección derecha. En la mayoría de los casos, será necesario retirar la placa posterior o placa superior de la sección para tener acceso al agujero de paso trasero e instalar el tornillo (vea la figura 11G).

Sujeción de las estructuras al piso

(Aplicaciones no sísmicas, para las aplicaciones sísmicas consulte la página 32.)

Sujete cada sección al piso (Figura 12) utilizando tornillos de 3/4 ó 1/2 pulg., grado 5 o superior y roldanas planas (providas por el cliente). Los agujeros de montaje de 22 mm (0,88 pulg) de diámetro, en el canal de la base, proporcionan el espacio necesario para la expansión de los pernos de anclaje de 1/2 pulgada.

NOTA: Aunque las secciones son independientes, la sujeción al piso evita su movimiento, de ese modo se evita dañar las conexiones del tubo conduit.

Figura 12 – Montaje normal en el canal de la base

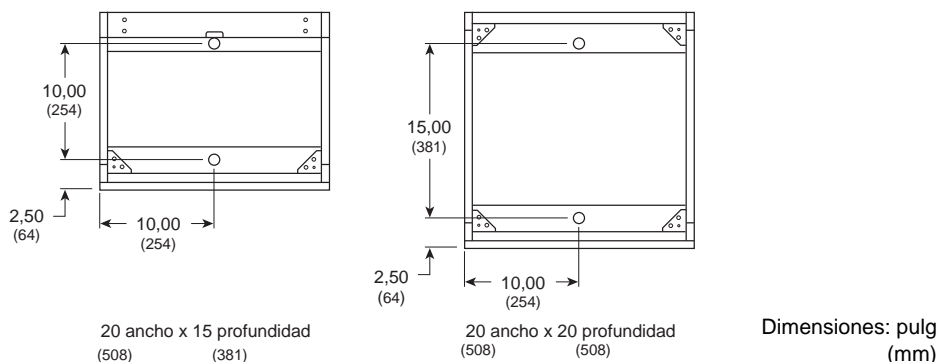
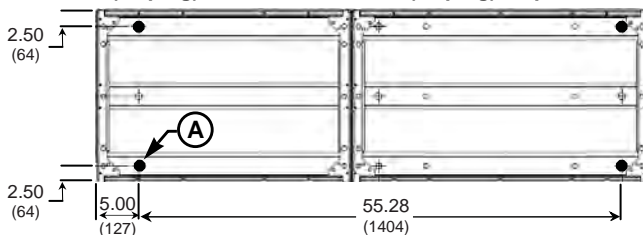
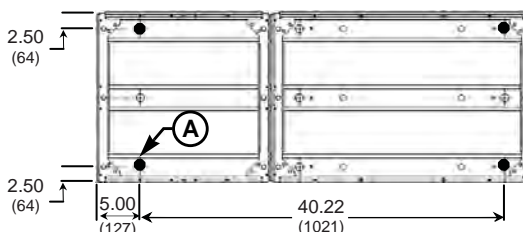


Figura 13 – Montaje en el canal de base para las secciones del CCM con variador de velocidad de 18 impulsos

1 651 mm (65 pulg) de ancho x 508 mm (20 pulg) de profundidad



1 270 mm (50 pulg) de ancho x 508 mm (20 pulg) de profundidad



A Ubicaciones de sujeción de la estructura (típicamente en 4 lugares) Dimensiones: pulg (mm)

Certificación sísmica de los CCM modelo 6

Los centros de control de motores modelo 6, certificados a prueba de actividad sísmica, cumplen con los requisitos de actividad sísmica particulares para el sitio, que figuran en los códigos y/o normas de construcción. Es posible que estos modelos requieran características de construcción opcionales, depende de la ubicación de instalación y el código o norma particular. Todos los centros de control de motores vienen acompañados de un certificado de cumplimiento con los requisitos a prueba de actividad sísmica y etiquetas correspondientes. Para mantener la validez de esta certificación, se deberán seguir las instrucciones de instalación delineadas en esta sección.

Responsabilidad con respecto a la reducción de daños por actividad sísmica

Para los fines de los códigos de construcción de este modelo, los centros de control de motores modelo 6 se consideran componentes no estructurales de construcción. La capacidad del equipo fue resuelta en base a los resultados de las pruebas realizadas en una mesa vibratoria tri-axial como lo define el International Code Counsel Evaluation Service (ICC-ES) (Servicio de evaluación del consejo de normas internacionales) en los criterios de aceptación y requisitos de la prueba de actividad sísmica de componentes no estructurales (AC156).

A no ser que se indique lo contrario, se ha utilizado un factor de importancia del equipo de 1,5 ($I_p = 1,5$); lo que indica que la funcionalidad del equipo fue verificada antes y después de realizar la prueba de simulación sísmica en una mesa vibratoria. Este factor de importancia indica las instalaciones críticas a las cuales deberá darse prioridad para maximizar su funcionalidad después de un evento sísmico.

El criterio AC156 lo publica el ICC ES y ha sido reconocido por el Consejo de seguridad sísmica en edificios (BSSC) como un método apropiado en las crónicas del Programa nacional de reducción de riesgos durante terremotos (NEHRP) del 2003. El Instituto nacional de ciencias de edificios fundó el BSSC en 1979 para desarrollar y promover provisiones normativas de mitigación de riesgos durante terremotos a un nivel nacional.

El tubo conduit así como los cables entrantes y salientes también deben considerarse como sistemas relacionados e independientes. los cuales deberán ser diseñados y contenidos para soportar las fuerzas generadas por el evento sísmico sin aumentar la carga transferida al equipo. En las aplicaciones en las que existen riesgos sísmicos, es preferible introducir y/o sacar los cables y tubo conduit por la parte inferior.

Si el valor de aceleración espectral (S_s según el Código de construcción internacional o la norma NFPA 5000) sobrepasa 2,67g (por ejemplo, el área sísmica del Nuevo Madrid) entonces el equipo debe también ser reforzado en la parte superior utilizando un sistema de restricción lateral. Un sistema de restricción lateral también es necesario cuando no se desea movimiento horizontal en la parte superior del CCM (por ejemplo, en las aplicaciones con entrada y/o salida de tubo conduit en la parte superior). Este sistema debe ser capaz de transferir las cargas creadas a los muros de carga del sistema estructural del edificio.

El equipo de Schneider Electric cumple con los requisitos de actividad sísmica en componentes no estructurales los cuales son simplemente un eslabón necesario en toda la cadena de responsabilidades para maximizar la probabilidad de que el equipo esté intacto y que funcione después un evento sísmico. Durante un evento sísmico, el equipo debe ser capaz de transferir las cargas producidas por la plataforma de montaje y el anclaje a los muros de carga del sistema estructural del edificio.

El ingeniero civil o ingeniero de diseño oficial de la estructura es responsable de detallar los requisitos de conexión al equipo y su anclaje (incluyendo el sistema de

restricción lateral, si es apropiado) para la instalación. El encargado de la instalación y los fabricantes del anclaje y del sistema de restricción lateral son responsables de garantizar el cumplimiento con los requisitos de montaje. Schneider Electric no asume responsabilidad por las especificaciones y funcionamiento de estos sistemas.

Sujeción de estructuras al piso—Ubicaciones designadas como de riesgo sísmico¹

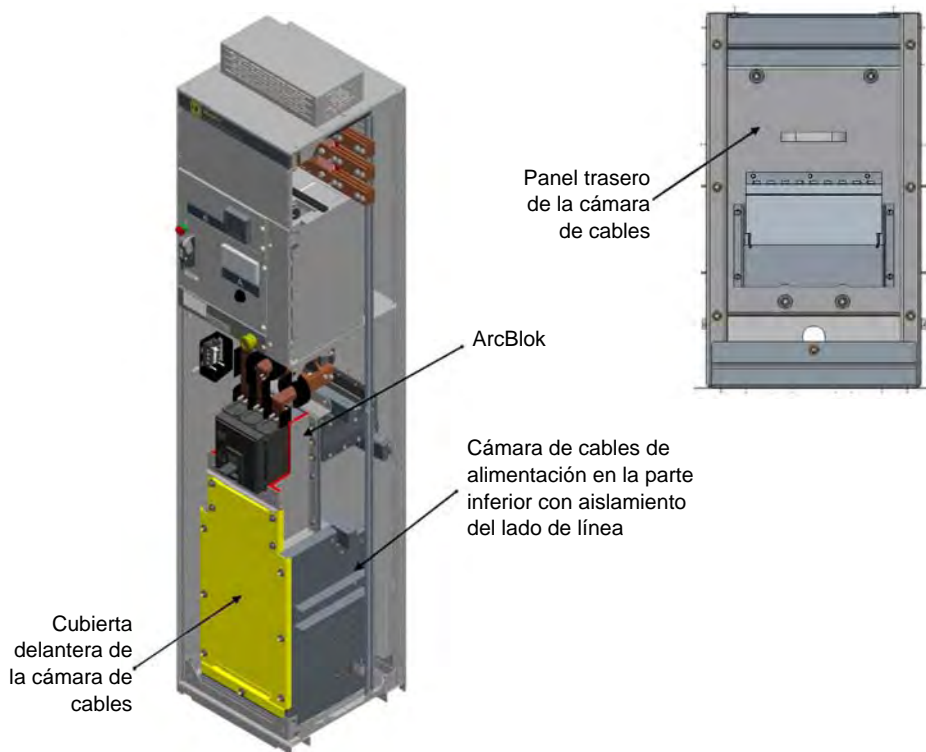
Cada sección debe ser anclada, según los detalles provistos por el ingeniero oficial, a los muros de carga del sistema estructural del edificio. Para conocer las ubicaciones de montaje vea la figura 15 en la página 33 (gabinetes tipo 1, tipo 1 con empaques y tipo 12) o la figura 17 en la página 34 (gabinetes tipo 3R). Utilice tornillos de 13 mm (0,5 pulg) o 19 mm (0,75 pulg) grado 5 o mayor y roldanas Belleville. Apriete los tornillos en el valor especificado por el fabricante de los herrajes de anclaje.

Acceso de sujeción sísmica para ArcBlok con cámara de cables de alimentación inferior, con aislamiento del lado de línea

El ensamble de la cubierta delantera y del panel trasero de cada cámara de cables de alimentación inferior de cada ArcBlok es extraíble para que se pueda acceder a los puntos de sujeción sísmica. Vea la figura 14 y la Figura 15 de la página 33.

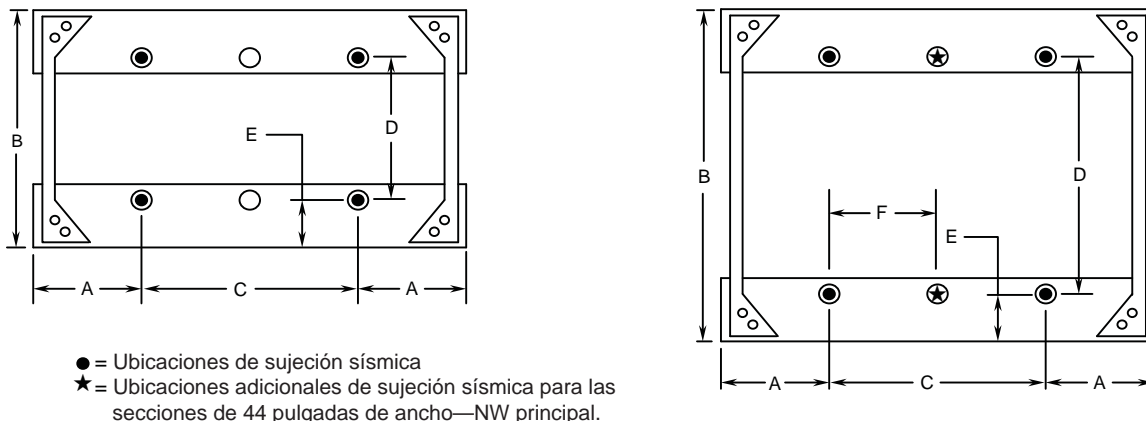
1. Retire y guarde las tuercas Keps de 3/8-16 que aseguran la cubierta delantera de la cámara de cables.
2. Retire la cubierta delantera de la cámara de cables.
3. Retire y guarde las tuercas Keps de 3/8-16 que aseguran el panel trasero de la cámara de cables.
4. Retire el panel trasero del interior de la cámara de cables.
5. Instale el hardware antisísmico.
6. Vuelva a colocar el panel trasero y la cubierta delantera usando las tuercas Keps de 3/8-16 que guardó en los pasos 1 y 3.

Figura 14 – Cubierta delantera y panel trasero de la cámara de cables



¹ Riesgo sísmico para las ubicaciones específicas del sitio como lo define el código de construcción internacional más reciente o la norma NFPA 5000 o el código de construcción local relevante o el ingeniero oficial de asesoría.

Figura 15 – Ubicaciones de sujeción sísmica tipo 1, tipo 1 con empaques y tipo 12



Dimensiones de la sección de 381 mm (15 pulg)

Letra	Ancho de la sección	Dimensión
A	N/A	127 mm (5,00 pulg)
B	N/A	381 mm (15,00 pulg)
C	508 mm (20,00 pulg)	254 mm (10,00 pulg)
	635 mm (25,00 pulg)	381 mm (15,00 pulg)
	762 mm (30,00 pulg)	508 mm (20,00 pulg)
	889 mm (35,00 pulg)	635 mm (25,00 pulg)
D	N/A	253 mm (9,98 pulg)
E	N/A	64 mm (2,50 pulg)

N/A = No aplicable

Dimensiones de la sección de 508 mm (20 pulg)

Letra	Ancho de la sección	Dimensión
A	N/A	127 mm (5,00 pulg)
B	N/A	508 mm (20 pulg)
C	508 mm (20,00 pulg)	254 mm (10,00 pulg)
	635 mm (25,00 pulg)	381 mm (15,00 pulg)
	762 mm (30,00 pulg)	508 mm (20,00 pulg)
	889 mm (35,00 pulg)	635 mm (25,00 pulg)
	1118 mm (44,00 pulg)	864 mm (34,00 pulg)
D	N/A	380 mm (14,98 pulg)
E	N/A	64 mm (2,50 pulg)
F	1118 mm (44,00 pulg)	432 mm (17,00 pulg)

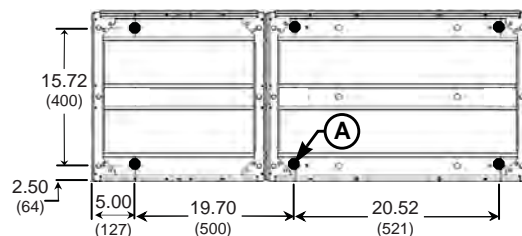
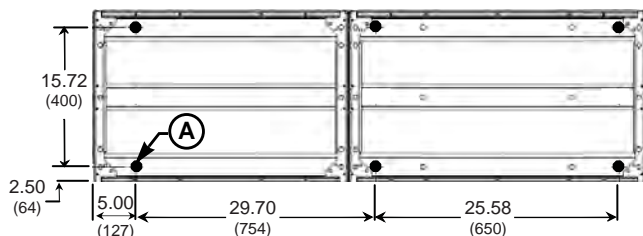
N/A = No aplicable

NOTA: Las dimensiones mostradas son ubicaciones de sujeción dentro de las secciones individuales del CCM. Consulte los dibujos de fábrica incluidos para determinar las ubicaciones de anclaje apropiadas para la plataforma del equipo.

Figura 16 – Ubicaciones de sujeción sísmica para las secciones del CCM con variador de velocidad de 18 impulsos

1 651 mm (65 pulg) de ancho x 508 mm (20 pulg) de profundidad

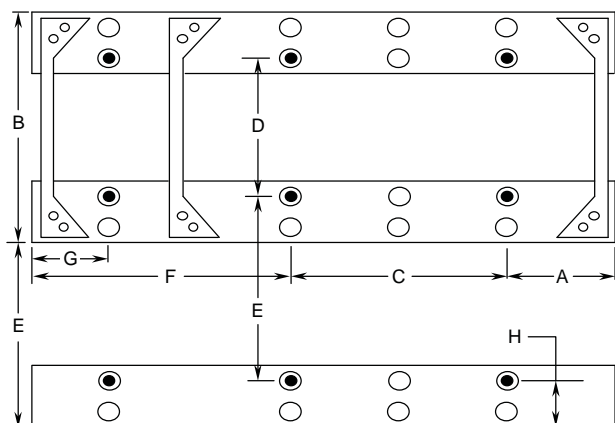
1 270 mm (50 pulg) de ancho x 508 mm (20 pulg) de profundidad



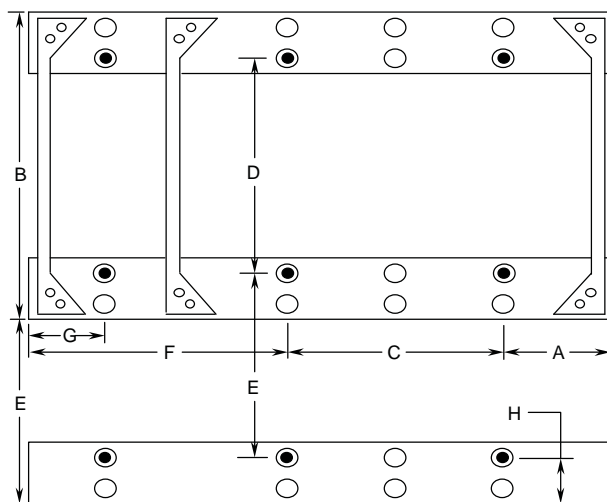
Ⓐ Ubicaciones de sujeción de la estructura (típicamente en 9 lugares)

Dimensiones: pulg (mm)

Figura 17 – Ubicaciones de sujeción sísmica tipo 3R



● = Ubicaciones de sujeción sísmica



Dimensiones de la sección de 381 mm (15 pulg)

Letra	Ancho de la sección	Dimensión
A	N/A	127 mm (5,00 pulg)
B	N/A	381 mm (15,00 pulg)
C	508 mm (20,00 pulg)	254 mm (10,00 pulg)
	635 mm (25,00 pulg)	381 mm (15,00 pulg)
	762 mm (30,00 pulg)	508 mm (20,00 pulg)
	889 mm (35,00 pulg)	635 mm (25,00 pulg)
D	N/A	253 mm (9,98 pulg)
E	N/A	295 mm (11,60 pulg)
F	N/A	318 mm (12,50 pulg)
G	N/A	127 mm (5,00 pulg)
H	N/A	91 mm (3,60 pulg)

N/A = No aplicable

Dimensiones de la sección de 508 mm (20 pulg)

Letra	Ancho de la sección	Dimensión
A	N/A	127 mm (5,00 pulg)
B	N/A	508 mm (20 pulg)
C	508 mm (20,00 pulg)	254 mm (10,00 pulg)
	635 mm (25,00 pulg)	381 mm (15,00 pulg)
	762 mm (30,00 pulg)	508 mm (20,00 pulg)
	889 mm (35,00 pulg)	635 mm (25,00 pulg)
D	N/A	380 mm (14,98 pulg)
E	N/A	295 mm (11,60 pulg)
F	N/A	318 mm (12,50 pulg)
G	N/A	127 mm (5,00 pulg)
H	N/A	91 mm (3,60 pulg)

N/A = No aplicable

NOTA: Las dimensiones mostradas son ubicaciones de sujeción dentro de las secciones individuales del CCM. Consulte los dibujos de fábrica incluidos para determinar las ubicaciones de anclaje apropiadas para la plataforma del equipo.

Sujeción de estructuras a la pared—Ubicaciones designadas como de riesgo sísmico²

Cuando lo especifica o requiere la aplicación (todas las áreas de riesgo sísmico con un valor S_s en exceso de 2,67 g), cada sección debe ser reforzada por los lados en la parte superior (soportes de refuerzo provistos por el cliente) y conectada a los muros de carga del sistema de construcción, según los detalles provistos por el ingeniero oficial. Consulte el código de construcción internacional actual o la norma NFPA 5000 para obtener los valores específicos de S_s para la ubicación.

⚠ PELIGRO

PELIGRO DE DESCARGA ELÉCTRICA, EXPLOSIÓN O DESTELLO POR ARQUEO

- Desenergice el equipo antes de instalar los soportes laterales.
- Los tornillos no deben penetrar la placa superior más de 13 mm (0,5 pulg).

El incumplimiento de estas instrucciones podrá causar la muerte o lesiones serias.

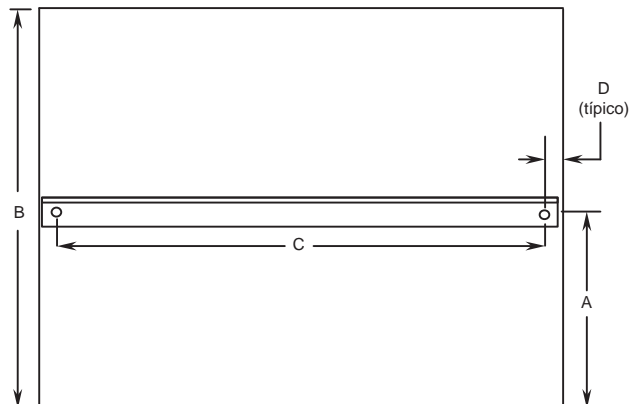
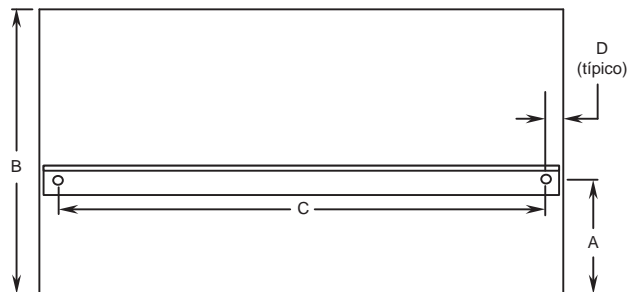
Retire las provisiones de levantamiento y sujete cada sección al sistema de restricción lateral utilizando los mismos puntos de unión utilizados para sujetar las provisiones de levantamiento. Vuelva a utilizar los tornillos de 9,5 mm x 22,22 mm (3/8 x 7/8 pulg) de largo, rosca no. 16, y la roldana de sujeción de 2,4 mm (0,094 pulg) de ancho incluida con las provisiones de levantamiento o los herrajes provistos por el cliente. Preste especial atención a las limitaciones de profundidad de penetración del tornillo por debajo de la superficie de la placa superior. Los tornillos no deben penetrar la placa superior del gabinete más de 13 mm (0,5 pulg).

NOTA: En los CCM con clasificación de contención de arco, no bloquee los deflectores del techo con los componentes de restricción laterales.

² Riesgo sísmico para las ubicaciones específicas del sitio como lo define el código de construcción internacional más reciente o la norma NFPA 5000 o el código de construcción local relevante o el ingeniero oficial de asesoría.

Figura 18 – Ubicaciones de unión del refuerzo lateral superior

NOTA: Las dimensiones mostradas son ubicaciones de refuerzo lateral superior dentro de las secciones individuales del CCM. Consulte los dibujos de fábrica incluidos para determinar las ubicaciones de anclaje apropiadas para el sistema de soporte de refuerzo



Dimensiones de la sección de 381 mm (15 pulg)

Letra	Ancho de la sección	Dimensión
A	N/A	133 mm (5,25 pulg)
B	N/A	381 mm (15,00 pulg)
C	508 mm (20,00 pulg)	467 mm (18,40 pulg)
	635 mm (25,00 pulg)	594 mm (23,40 pulg)
	762 mm (30,00 pulg)	721 mm (28,40 pulg)
	889 mm (35,00 pulg)	848 mm (33,40 pulg)
D	N/A	20 mm (0.80 pulg)

N/A = No aplicable

Dimensiones de la sección de 508 mm (20 pulg)

Letra	Ancho de la sección	Dimensión
A (una provisión de levantamiento)	N/A	260 mm (10,25 pulg)
A (dos provisiones de levantamiento)	N/A	48 mm (1,91 pulg)
B	N/A	508 mm (20 pulg)
C	508 mm (20,00 pulg)	467 mm (18,40 pulg)
	635 mm (25,00 pulg)	594 mm (23,40 pulg)
	762 mm (30,00 pulg)	721 mm (28,40 pulg)
	889 mm (35,00 pulg)	848 mm (33,40 pulg)
D	N/A	20 mm (0.80 pulg)

N/A = No aplicable

Empaques de empalme para los gabinetes tipo 1 con empaques y tipo 12

⚠ PELIGRO

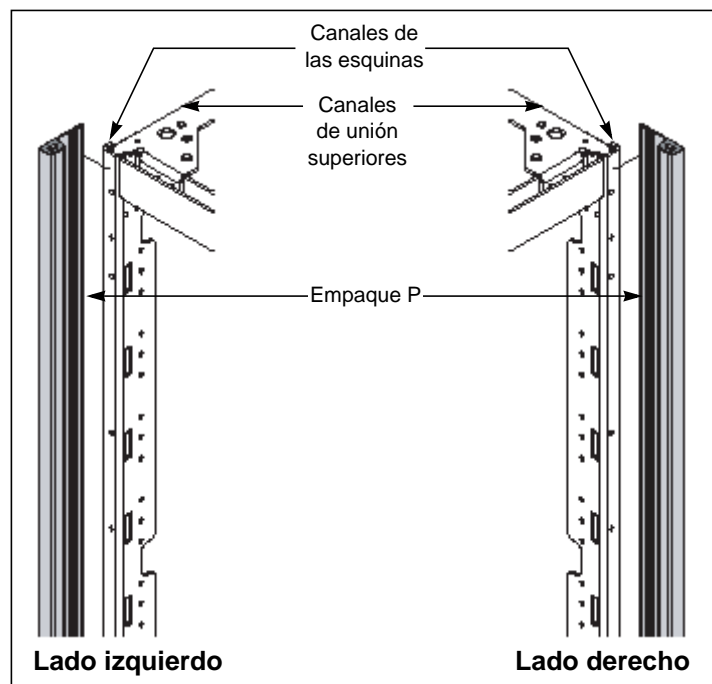
PELIGRO DE DESCARGA ELÉCTRICA, EXPLOSIÓN O DESTELLO POR ARQUEO

- Utilice equipo de protección personal (EPP) apropiado y siga las prácticas de seguridad en trabajos eléctricos establecidas por su Compañía, consulte la norma 70E de NFPA o Z462 de CSA y NOM-029-STPS.
- Solamente el personal eléctrico especializado deberá instalar y prestar servicio de mantenimiento a este equipo.
- Desenergice el equipo antes de realizar cualquier trabajo en él.
- Siempre utilice un dispositivo detector de tensión nominal adecuado para confirmar la desenergización del equipo.
- Vuelva a colocar todos los dispositivos, las puertas y las cubiertas antes de energizar este equipo.
- Al mover las secciones del CCM, siga las instrucciones detalladas en “Manejo de los CCM” en la página 20. El CCM tiene un alto centro de gravedad, el cual puede hacer que se incline el equipo.

El incumplimiento de estas instrucciones podrá causar la muerte o lesiones serias.

Si va a empalmar a un CCM, consulte la Figura 19. Si el empaque P no está instalado, siga las instrucciones en “Empalme sin empaques P” en la página 38. Si el empaque P está instalado, siga las instrucciones en “Empalme con empaques P” en la página 38.

Figura 19 – Empaque P



Empalme sin empaques P

1. Desenergice el equipo antes de realizar cualquier trabajo dentro de él y siga los procedimientos de bloqueo / etiquetado. Siempre utilice un dispositivo detector de tensión nominal adecuado para confirmar la desenergización del equipo.
2. Si va a realizar el empalme a un CCM existente, retire la placa del extremo y los empaques del CCM existente.
3. Desprenda el papel protector blanco de los empaques nuevos (provistos por Schneider Electric) para dejar al descubierto el adhesivo. Este adhesivo sostiene temporalmente los empaques en su lugar mientras se colocan las secciones.
4. Coloque los empaques P en el exterior de los canales verticales de las esquinas frontal y posterior (vea la figura 19 en la página 37). Los empaques no deberán extenderse por encima de los canales de las esquinas.
5. Coloque los empaques planos en el exterior de los canales de unión superior e inferior. Los empaques no deberán extenderse por encima de los canales de unión.
6. Aplicando presión con el dedo pulgar, presione firmemente los empaques desde arriba hasta abajo para colocarlos en su lugar. Asegúrese de que los empaques hayan sido colocados correctamente a todo lo largo esto es, deberán estar completamente planos.
7. Conecte las secciones siguiendo los pasos apropiados en “Conexión de secciones tipo 1/ tipo 1 con empaques/tipo 12” en la página 26.

NOTA: Si va a agregar nuevas secciones en el lado izquierdo de una formación existente, siga los pasos 1, 2 y 7 solamente.

Empalme con empaques P

Determine la ubicación del empaque P existente antes de empalmar. Si el empaque P se encuentra a la izquierda (vea la figura 19 en la página 37), siga las instrucciones en “Empalme a la izquierda de un empaque existente”. Si el empaque P se encuentra a la derecha (vea la figura 19 en la página 37), siga las instrucciones en “Empalme a la derecha de un empaque existente”.

Empalme a la izquierda de un empaque existente

1. Desenergice el equipo antes de realizar cualquier trabajo dentro de él y siga los procedimientos de bloqueo / etiquetado. Siempre utilice un dispositivo detector de tensión nominal adecuado para confirmar la desenergización del equipo.
2. Retire la placa del extremo y todos los empaques planos del CCM existente. Deje en su lugar el empaque P existente en el canal frontal de la esquina.
3. Retire el empaque plano instalado en la fábrica del canal frontal de la esquina de la nueva sección vertical.
4. Conecte las secciones siguiendo los pasos apropiados en “Conexión de secciones tipo 1/ tipo 1 con empaques/tipo 12” en la página 26.

Empalme a la derecha de un empaque existente

1. Desenergice el equipo antes de realizar cualquier trabajo dentro de él y siga los procedimientos de bloqueo / etiquetado. Siempre utilice un dispositivo detector de tensión nominal adecuado para confirmar la desenergización del equipo.
2. Retire la placa del extremo y todos los empaques planos del CCM existente. Deje en su lugar el empaque P existente en el canal frontal de la esquina.

3. Desprenda el papel protector blanco de los empaques nuevos (provistos por Schneider Electric) para dejar al descubierto el adhesivo. Este adhesivo sostiene temporalmente el empaque en su lugar mientras se colocan las secciones.
 - A. Coloque un empaque P en el exterior del canal vertical de la esquina posterior (vea la figura 19 en la página 37). El empaque no deberá extenderse por encima del canal de la esquina. Conserve el empaque P adicional para usarlo posteriormente.
4. Coloque los empaques planos en el exterior de los canales de unión superior e inferior. Los empaques no deberán extenderse por encima de los canales de unión.
5. Aplicando presión con el dedo pulgar, presione firmemente el empaque desde arriba hasta abajo para colocarlo en su lugar. Asegúrese de que el empaque esté plano a todo lo largo.
6. Conecte las secciones siguiendo los pasos apropiados en “Conexión de secciones tipo 1/ tipo 1 con empaques/tipo 12” en la página 26.

Conexión de gabinetes tipo 3R (estilo nuevo) con gabinetes tipo 3R (estilo antiguo)

PELIGRO

PELIGRO DE DESCARGA ELÉCTRICA, EXPLOSIÓN O DESTELLO POR ARQUEO

- Utilice equipo de protección personal (EPP) apropiado y siga las prácticas de seguridad en trabajos eléctricos establecidas por su Compañía. Consulte la norma 70E de NFPA.
- Solamente el personal eléctrico especializado deberá instalar y prestar servicio de mantenimiento a este equipo.
- Desenergice el equipo antes de realizar cualquier trabajo en él.
- Siempre utilice un dispositivo detector de tensión nominal adecuado para confirmar la desenergización del equipo.
- Vuelva a colocar todos los dispositivos, las puertas y las cubiertas antes de energizar este equipo.

El incumplimiento de estas instrucciones podrá causar la muerte o lesiones serias.

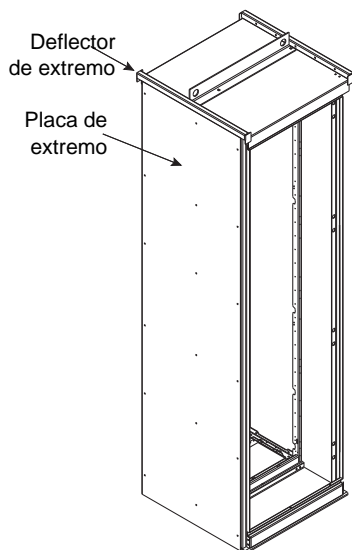
Esta sección proporciona las instrucciones de conexión de gabinetes tipo 3R (estilo nuevo) fabricados después de febrero de 1998 con gabinetes tipo 3R (estilo antiguo), fabricados antes de febrero de 1998 (el gabinete nuevo del CCM es de 76 mm (3 pulgadas) más corto que los gabinetes existentes del CCM). Este boletín contiene las instrucciones para conectar a la izquierda o a la derecha de un gabinete de un CCM existente (visto desde el frente).

Todos los CCM en gabinetes tipo 3R incluyen un accesorio que contiene las piezas necesarias para unir los gabinetes. Este accesorio se envía junto con el pedido del CCM.

NOTA: Todas las secciones tipo 3R fabricadas después de febrero de 1998 miden aproximadamente 2 362 mm (93 pulgadas) desde la parte inferior de la sección hasta la parte superior del deflector.

Conexión al lado izquierdo de un gabinete tipo 3R en un CCM existente

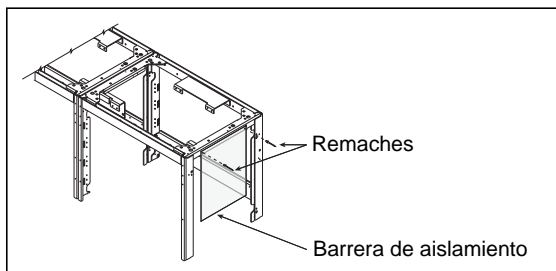
Figura 20 – Desmontaje del deflector de extremo



1. Desenergice el equipo antes de realizar cualquier trabajo dentro de él y siga los procedimientos de bloqueo / etiquetado. Siempre utilice un dispositivo detector de tensión nominal adecuado para confirmar la desenergización del equipo.
2. Retire el deflector del extremo (Figura 20) de la sección que se encuentra más a la izquierda en el CCM existente y el deflector del extremo, si viene equipado con él, de la sección que se encuentra más a la derecha del CCM que se está agregando. Deseche ambos deflectores de extremo. Conserve los herrajes para instalar las piezas nuevas.
3. Retire la placa posterior de la sección que se encuentra más a la izquierda en el CCM existente y también de la sección que se encuentra más a la derecha del CCM que se está agregando. Conserve las placas posteriores y los herrajes de montaje para usarlos durante su re-instalación.
4. Retire la placa de extremo (Figura 20) de la sección que se encuentra más a la izquierda en el CCM existente y la placa de extremo, si viene equipado con ella, de la sección que se encuentra más a la derecha del CCM que se está agregando. Deseche ambas placas de extremo. Conserve los herrajes para instalar las piezas nuevas.
5. Retire la barrera de aislamiento (Figura 21) de la sección que se encuentra más a la izquierda del CCM existente extrayendo los remaches que sujetan la barrera en su lugar. Repita este procedimiento para la barrera, si viene equipada con ella, en la sección que se encuentra más a la derecha del CCM que se está agregando. Deseche ambas barreras.

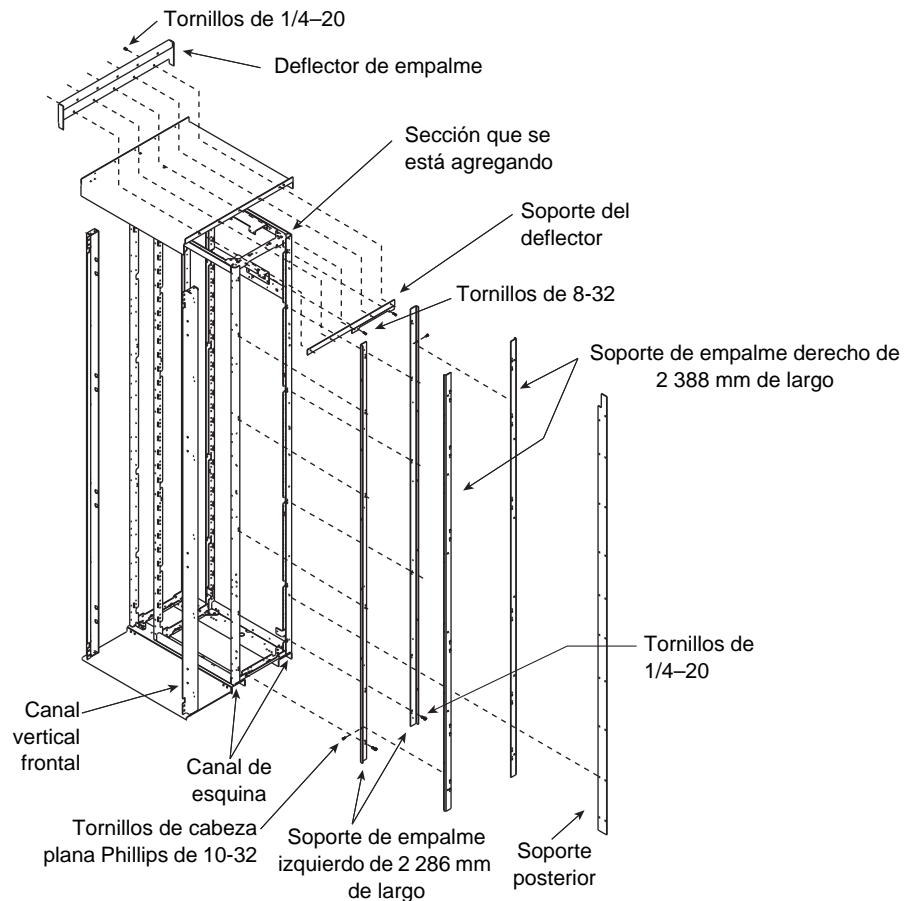
NOTA: Asegúrese de que no caigan pedazos de remache en el CCM.

Figura 21 – Desmontaje de la barrera de aislamiento



6. Instale el soporte del deflector (Figura 22) en la sección que se encuentra más a la derecha del CCM que se está agregando utilizando dos tornillos de cabeza Phillips de 8-32, incluidos. Utilice los mismos agujeros donde retiró los remaches para montar el soporte del deflector. Asegúrese de alinear los agujeros superiores del soporte con los agujeros de la placa superior del gabinete.

Figura 22 – Instalación del soporte del deflector



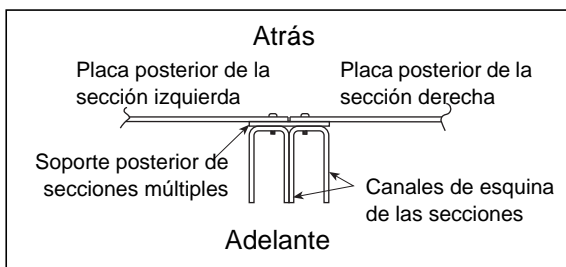
7. Instale un soporte de empalme izquierdo (Figura 22), de 2 286 mm (90 pulg) de largo, en el canal de esquina frontal de la sección que se encuentra más a la derecha del CCM que se está agregando utilizando seis tornillos de 1/4-20, incluidos. Asegúrese de que la brida corta esté a ras con la parte frontal del canal de esquina y que los agujeros del soporte estén alineados con los agujeros del canal de esquina.
8. Instale un soporte de empalme izquierdo (Figura 22), de 2 286 mm (90 pulg) de largo, en el canal de esquina trasera de la sección que se encuentra más a la derecha del CCM que se está agregando utilizando seis tornillos de 1/4-20, incluidos. Asegúrese de que la brida corta esté a ras con la parte trasera del canal de esquina y que los agujeros del soporte estén alineados con los agujeros del canal de esquina.
9. Instale un soporte de empalme derecho (Figura 22), de 2 388 mm (94 pulg) de largo, en el soporte de empalme izquierdo que instaló en el paso 7 utilizando seis tornillos de cabeza plana Phillips de 10-32, incluidos. Asegúrese de que la brida corta esté detrás de la brida del soporte de empalme izquierdo. El soporte de empalme derecho se extenderá por debajo del soporte de empalme

izquierdo aproximadamente 25 mm (1 pulg) cuando se encuentra correctamente instalado.

10. Instale un soporte de empalme derecho (Figura 22), de 2 388 mm (94 pulg) de largo, en el soporte de empalme izquierdo que instaló en el paso 8 utilizando seis tornillos de cabeza plana Phillips de 10-32, incluidos. Asegúrese de que la brida corta esté en frente de la brida del soporte de empalme izquierdo. El soporte de empalme derecho se extenderá por debajo del soporte de empalme izquierdo aproximadamente 25 mm (1 pulg) cuando se encuentra correctamente instalado.
11. Coloque las estructuras que se van a empalmar. Todos los frentes deberán estar a ras para garantizar la alineación correcta de todos los componentes.
12. Empalme las secciones utilizando las instrucciones del boletín 8998IM9101R5/92 para el modelo 5, si se van a conectar a un CCM modelo 5, o las instrucciones en la página 37 de este boletín si se van a conectar a un CCM modelo 6.

NOTA: Al empalmar las barras horizontales entre las secciones del CCM nuevo y existente, retire las barras de empalme en la sección que se encuentra más a la izquierda del CCM existente. Deseche las barras de empalme. Instale el ensamble de empalme para barra horizontal, incluido con este accesorio, siguiendo las instrucciones que comienzan en la página 46 de este boletín. Use los seis tornillos restantes de cabeza hexagonal de 1/4 –20, incluidos con este accesorio, para empalmar los canales de esquina del CCM existente en los soportes de empalme derechos instalados en los pasos 9 y 10.

Figura 23 – Re-instalación de las placas posteriores



13. Utilizando los tornillos de cabeza hexagonal de 10-32 que retiró del paso 3, vuelva a instalar la placa posterior (Figura 23) en la sección que se encuentra más a la derecha del CCM nuevo. Instale el soporte posterior (figura 22 en la página 41) debajo de la placa posterior utilizando los agujeros del lado izquierdo del soporte posterior. Asegúrese de que la muesca en la parte superior del soporte posterior esté orientada hacia la sección del nuevo CCM.
14. Utilizando los tornillos de 10-32 que retiró en el paso 3, vuelva a instalar la placa posterior (Figura 23) en la sección derecha.
15. Instale el deflector de empalme (figura 22 en la página 41) en la sección que se encuentra más a la derecha del CCM que se está agregando. Utilice los cinco tornillos de 1/4–20 incluidos en este accesorio. Asegúrese de que las bridas de ambas placas superiores estén cubiertas.
16. Instale cinco de los tornillos de 1/4-20 que retiró en el paso 2 pasando por el deflector de empalme y por la placa superior de la sección que se encuentra más a la izquierda del CCM existente.

- Utilizando los seis tornillos de 10-32 incluidos con este accesorio, sujete el canal vertical frontal derecho del nuevo gabinete tipo 3R al canal vertical izquierdo frontal del gabinete tipo 3R existente.

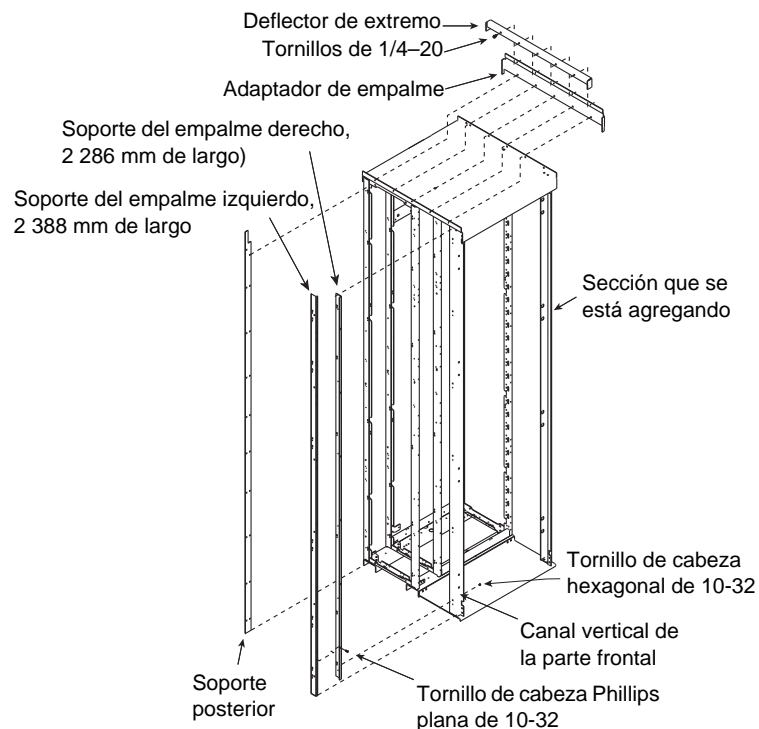
NOTA: Instale los tornillos por los agujeros de paso en el canal vertical frontal izquierdo del CCM existente y páselos por el canal vertical frontal derecho del CCM nuevo.

- Vuelva a colocar las cubiertas y barreras antes de energizar el equipo.

Conexión al lado derecho de un gabinete tipo 3R de un CCM existente

- Desenergice el equipo antes de realizar cualquier trabajo dentro de él y siga los procedimientos de bloqueo / etiquetado. Siempre utilice un dispositivo detector de tensión nominal adecuado para confirmar la desenergización del equipo.
- Retire el deflector del extremo (figura 20 en la página 40) de la sección que se encuentra más a la derecha en el CCM existente y el deflector del extremo, si viene equipado con él, de la sección que se encuentra más a la izquierda del CCM que se está agregando. Guarde los herrajes para utilizarlos en el paso 12. Deseche ambos deflectores de los extremos.

Figura 24 – Instalación del deflector de empalme



- Retire la placa posterior de la sección que se encuentra más a la derecha en el CCM existente y también de la sección que se encuentra más a la izquierda del CCM que se está agregando. Conserve las placas posteriores y los herrajes de montaje para usarlos durante su re-instalación.
- Retire la placa de extremo (Figura 20) de la sección que se encuentra más a la derecha en el CCM existente y la placa de extremo, si viene equipado con ella, de la sección que se encuentra más a la izquierda del CCM que se está agregando. Deseche ambas placas de los extremos.

5. Retire la barrera de aislamiento (figura 21 en la página 40) de la sección que se encuentra más a la derecha del CCM existente extrayendo los remaches que sujetan la barrera en su lugar. Repita este procedimiento para la barrera, si viene equipada con ella, la cual se está ubicada en la sección que se encuentra más a la izquierda del CCM que se está agregando. Deseche ambas barreras.

NOTA: Asegúrese de que no caigan pedazos de remache en el CCM.

6. Instale el soporte de empalme izquierdo (Figura 24), de 2 388 mm (94 pulg) de largo, en el canal vertical frontal derecho del CCM existente. Utilice seis tornillos de cabeza hexagonal de 10-32 incluidos con este accesorio. La brida larga del canal de empalme se montará en el costado del canal vertical con la brida corta junto al frente del canal vertical. Cuando está instalado correctamente, la parte inferior del soporte de empalme izquierdo estará a ras con la parte inferior del canal vertical.
7. Instale el soporte de empalme derecho (Figura 24), de 2 286 mm (90 pulg) de largo, en el soporte de empalme izquierdo que instaló en el paso 6 utilizando seis tornillos de cabeza plana Phillips de 10-32, incluidos con este accesorio. Asegúrese de que la brida corta del soporte de empalme derecho esté en frente de la brida del soporte de empalme izquierdo. Cuando está instalado correctamente, el soporte de empalme izquierdo se extenderá aproximadamente 25 mm (1 pulg) por debajo del soporte de empalme derecho.
8. Coloque las estructuras que se van a empalmar. Asegúrese de que los frentes estén a ras; con esto se obtendrá la alineación correcta de todos los componentes.
9. Empalme las secciones utilizando las instrucciones del boletín 8998IM9101 para el modelo 5, si se van a conectar a un CCM modelo 5, o las instrucciones en la página 37 de este boletín si se van a conectar a un CCM modelo 6. Use los 12 tornillos de cabeza hexagonal de 1/4 –20, incluidos con este accesorio, para empalmar los canales de esquina del CCM existente a los canales de esquina del CCM nuevo.
10. Vuelva a instalar la placa posterior (figura 23 en la página 42) a la sección que se encuentra más a la izquierda del CCM que se está agregando utilizando los tornillos de cabeza hexagonal de 10-32 que retiró en el paso 4. Instale el soporte posterior (Figura 24) debajo de la placa posterior en los agujeros del lado derecho del soporte. Asegúrese de que la muesca en la parte superior del soporte posterior esté orientada hacia la sección nueva del CCM.
11. Utilizando los herrajes que retiró en el paso 3, vuelva a instalar la placa posterior (figura 23 en la página 42) en la sección que se encuentra más a la derecha del CCM existente.
12. Instale el adaptador de empalme (figura 24 en la página 43) en la sección que se encuentra más a la izquierda del CCM que se está agregando utilizando cinco tornillos de 1/4-20, incluidos con este accesorio.
13. Luego, coloque el deflector de extremo, incluido con este accesorio, sobre la brida de la placa superior de ambas secciones (Figura 24) utilizando los cinco tornillos de 1/4-20 que retiró del paso 2.
14. Utilizando seis tornillos de cabeza hexagonal de 10-32, incluidos con este accesorio, sujete el canal vertical frontal derecho del CCM que se está agregando al soporte de empalme derecho que instaló en el paso 7 (Figura 24).
15. Vuelva a colocar las cubiertas y barreras antes de energizar el equipo.

Conexión de las secciones tipo 3R

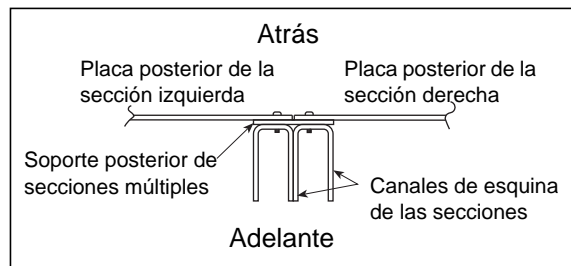
Esta sección proporciona las instrucciones de conexión de las secciones tipo 3R (fabricadas después de febrero de 1998).

NOTA: Todas las secciones tipo 3R fabricadas después de febrero de 1998 miden aproximadamente 2 362 mm (93 pulgadas) desde la parte inferior de la sección hasta la parte superior del deflector.

1. Desenergice el equipo antes de realizar cualquier trabajo dentro de él y siga los procedimientos de bloqueo / etiquetado. Siempre utilice un dispositivo detector de tensión nominal adecuado para confirmar la desenergización del equipo.
2. Retire la placa posterior de la sección derecha (Figura 25).

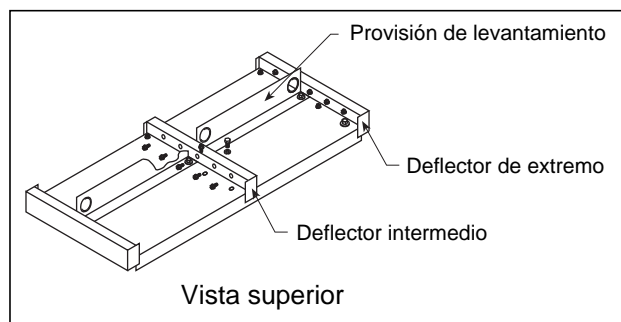
NOTA: Los pasos 3 y 4 son aplicables sólo si se agrega una sección nueva a la agrupación de un CCM existente. Si va a instalar una agrupación nueva, vaya al paso 5.

Figura 25 – Instalación del soporte de secciones múltiples



3. Retire el capuchón del deflector de extremo del lado derecho de la sección tipo 3R existente (Figura 26). También, retire el capuchón del deflector intermedio de la sección que se está agregando a la derecha.

Figura 26 – Desmontaje de los capuchones de los deflectores intermedio y de extremo de la parte superior del CCM



4. Retire la placa de cierre del extremo del lado derecho de la sección existente.
5. Una vez que haya colocado las estructuras una al lado de la otra, conéctelas como se describe en "Conexión de secciones tipo 1/ tipo 1 con empaques/tipo 12" en la página 26.
6. Con los herrajes adicionales provistos, vuelva a instalar la placa posterior (que retiró en el paso 2) en la sección derecha. Conecte el lado derecho al soporte de secciones múltiples (Figura 25).
7. Instale el deflector intermedio y asegúrese de que las bridas de ambas placas superiores estén cubiertas (Figura 26).

8. Utilizando los seis tornillos de 10-32 incluidos, sujete el canal vertical frontal izquierdo de la extensión tipo 3R al canal vertical frontal derecho de la extensión tipo 3R (figura 27 en la página 46).
9. Si después de la instalación la provisión de levantamiento se va a retirar de las secciones, vuelva a colocar todos los herrajes en el orden mostrado (figura 28 en la página 46).

Figura 27 – Sujeción de los canales verticales

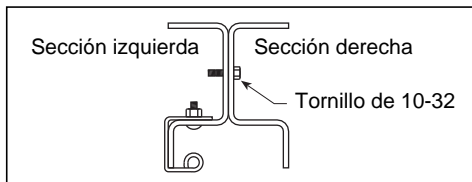
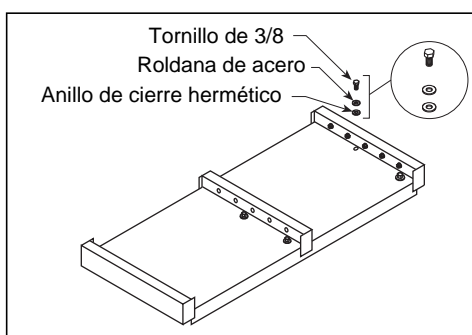


Figura 28 – Re-colocación de los herrajes de la provisión de levantamiento



Empalme de las barras de alimentación en los gabinetes tipo 1 y tipo 12

⚠ PELIGRO

PELIGRO DE DESCARGA ELÉCTRICA, EXPLOSIÓN O DESTELLO POR ARQUEO

- Utilice equipo de protección personal (EPP) apropiado y siga las prácticas de seguridad en trabajos eléctricos establecidas por su Compañía, consulte la norma 70E de NFPA o Z462 de CSA y NOM-029-STPS.
- Solamente el personal eléctrico especializado deberá instalar y prestar servicio de mantenimiento a este equipo.
- Desenergice el equipo antes de realizar cualquier trabajo en él.
- Siempre utilice un dispositivo detector de tensión nominal adecuado para confirmar la desenergización del equipo.
- Vuelva a colocar todos los dispositivos, las puertas y las cubiertas antes de energizar este equipo.

El incumplimiento de estas instrucciones podrá causar la muerte o lesiones serias.

Siga estos pasos para empalmar las barras de alimentación:

1. Desenergice el equipo antes de realizar cualquier trabajo dentro de él y siga los procedimientos de bloqueo / etiquetado. Siempre utilice un dispositivo detector de tensión nominal adecuado para confirmar la desenergización del equipo.
2. Retire las cubiertas de la canalización de cables horizontal y deslice las barreras de las barras horizontales para tener acceso a los conectores de empalme cautivos (Figura 29). Consulte el “Apéndice A—Desmontaje e instalación de los paneles de la barrera de las barras horizontales” en la página 165 para desmontar las barreras de las barras horizontales.

Figura 29 – Cubiertas de la canalización de cables horizontal y barreras de las barras retiradas



CCM con empalme de barra de alimentación y kit de barra individual/empalme de fase (barra horizontal de cobre de 600 A y 800 A, cortocircuito de 65 000 A o menos, enviados después de agosto de 2012)

NOTA: El kit de empalme integral utilizado en los envíos de septiembre de 2012 y más tarde con barra de cobre horizontal de 600/800 A y corriente nominal de aguante a cortocircuito $\leq 65\ 000$ A rcm consiste en una sola barra por fase y no utiliza una barra tipo horquilla (vea la Figura 30). NO use el kit de una barra por empalme de fase en el extremo de horquilla de la barra tipo horquilla (vea la Figura 31 para obtener un ejemplo de aplicación incorrecta). Deberán usarse dos barras de empalme en el extremo de horquilla de la barra tipo horquilla (consulte las instrucciones que comienzan en la página 50). Póngase en contacto con su representante local de Schneider Electric si el empalme de dos barras necesario no viene incluido con el equipo.

Figura 30 – Aplicación correcta de empalme (instalado) para una barra no de horquilla de 600/800 A



Figura 31 – Aplicación incorrecta de empalme de una sola barra en una barra tipo horquilla



1. Retire los cuatro tornillos de la barra de empalme integral (vea la Figura 32).

Figura 32 – Extracción de los tornillos de la barra de empalme sencilla



2. Deslice la barra de empalme sencilla hacia la izquierda y alinee los dos agujeros izquierdos en la barra con los agujeros correspondientes en la barra horizontal en la sección izquierda (vea la Figura 33).

Figura 33 – Desplazamiento y alineación de la barra de empalme en los agujeros de la barra

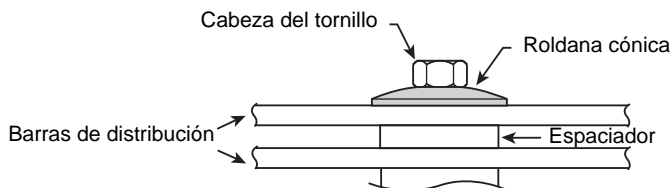


3. Vuelva a instalar los cuatro tornillos en la barra horizontal en las secciones izquierda y derecha (vea la Figura 34). Asegúrese de que las roldanas cónicas originales se vuelvan a instalar con el lado cóncavo orientado hacia la barra horizontal (vea la Figura 35).

Figura 34 – Inserción de los tornillos del empalme en las secciones izquierda y derecha



Figura 35 – Colocación de una roldana cónica debajo de la cabeza del tornillo



4. Apriete todos los tornillos, en ambos extremos, de 41,87 a 43,22 N•m (31 a 32 lbs-pie). (vea la Figura 36).

Figura 36 – Apriete de los tornillos



5. Regrese al paso 2 en la página 47 para todas las fases y la barra neutra (si fue provista). Cuando todos los empalmes se hayan completado, vaya al paso 6.
6. Antes de energizar el equipo, deslice las barreras de las barras horizontales hasta colocarlas en la posición de cerrado y vuelva a colocar todas las cubiertas.

Empalme de las barras de alimentación del CCM con kit de empalme de fase/barra múltiple

NOTA: En el ensamble de empalme integral, que se encuentra a la izquierda de cada barra de fase, el número de conexiones de barras es uno más que el número de barras horizontales. La conexión de barra que se encuentra más atrás contiene las tuercas cautivas.

1. Retire los dos tornillos izquierdos. Afloje, sin retirar, los dos tornillos derechos en el ensamble de empalme (Figura 37).

NOTA: No retire los dos tornillos derechos de los ensambles de empalme. Esto hará caer los espaciadores del ensamble de empalme. Si esto ocurre, vuelva a ensamblar las barras de empalme y los espaciadores (si es aplicable) en el orden correcto antes de continuar.

Figura 37 – Extracción de los tornillos izquierdos y aflojamiento de los tornillos derechos en el ensamble de empalme



- Deslice el ensamble de empalme hacia la izquierda hasta que los dos agujeros izquierdos estén alineados con los agujeros correspondientes en la barra horizontal en la sección izquierda (figura 38 en la página 51).

Figura 38 – Alineación de los agujeros de las barras de empalme y de distribución

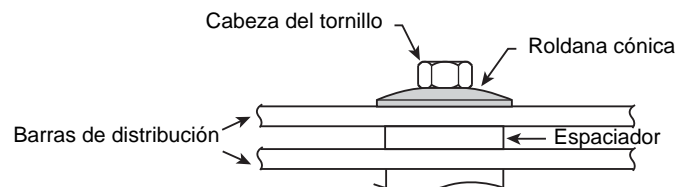


- Vuelva a instalar los dos tornillos izquierdos y hágalos pasar por las barras de empalme y por la barra horizontal (Figura 39); asegúrese de volver a instalar las roldanas cónicas originales con el lado cóncavo orientado hacia el frente de la barra de empalme (Figura 40).

Figura 39 – Cómo introducir los tornillos de empalme



Figura 40 – Colocación de una roldana cónica debajo de la cabeza del tornillo



4. Apriete todos los tornillos, en ambos extremos, de 41,87 a 43,22 N•m (31 a 32 lbs-pie).

Figura 41 – Apriete de los tornillos



5. Regrese al paso 2 en la página 47 para todas las fases y la barra neutra (si fue provista). Cuando todos los empalmes se hayan completado, vaya al paso 6
6. Antes de energizar el equipo, deslice las barreras de las barras horizontales hasta cerrarlas y vuelva a colocar todas las cubiertas.

Empalme de las barras de alimentación en los gabinetes tipo 3R

⚠ PELIGRO

PELIGRO DE DESCARGA ELÉCTRICA, EXPLOSIÓN O DESTELLO POR ARQUEO

- Utilice equipo de protección personal (EPP) apropiado y siga las prácticas de seguridad en trabajos eléctricos establecidas por su Compañía, consulte la norma 70E de NFPA o Z462 de CSA y NOM-029-STPS.
- Solamente el personal eléctrico especializado deberá instalar y prestar servicio de mantenimiento a este equipo.
- Desenergice el equipo antes de realizar cualquier trabajo en él.
- Siempre utilice un dispositivo detector de tensión nominal adecuado para confirmar la desenergización del equipo.
- Vuelva a colocar todos los dispositivos, las puertas y las cubiertas antes de energizar este equipo.

El incumplimiento de estas instrucciones podrá causar la muerte o lesiones serias.

Esta sección describe cómo empalmar las barras de alimentación de un gabinete tipo 3R (fabricada después de febrero de 1998) en las barras de alimentación de otro gabinete tipo 3R. El material de empalme de las barras no es cautivo si la sección viene equipada con una barra de desplazamiento. Consulte “Empalme de la barra de desplazamiento o 3000/3200 A horizontal (lado izquierdo de la estructura solamente)” en la página 61 para obtener instrucciones sobre cómo empalmar las barras de alimentación de desplazamiento en los gabinetes tipo 3R.

Siga estos pasos para empalmar las barras de alimentación:

1. Desenergice el equipo antes de realizar cualquier trabajo dentro de él y siga los procedimientos de bloqueo / etiquetado. Siempre utilice un dispositivo detector de tensión nominal adecuado para confirmar la desenergización del equipo.
2. Retire las cubiertas de la canalización de cables horizontal y deslice las barreras de las barras horizontales para tener acceso a los conectores de empalme cautivos (Figura 42). Consulte el “Apéndice A—Desmontaje e instalación de los paneles de la barrera de las barras horizontales” en la página 165 para desmontar las barreras de las barras horizontales.

NOTA: En el ensamble de empalme integral, que se encuentra a la izquierda de cada barra de fase, el número de conexiones de barras es uno más que el número de barras horizontales. La conexión de barra que se encuentra más atrás contiene las tuercas cautivas.

Figura 42 – Cubiertas de la canalización de cables desmontadas y barreras de las barras horizontales abiertas



3. Retire los dos tornillos izquierdos de cada ensamble de empalme. Luego, afloje, sin retirar, los dos tornillos derechos en cada ensamble de empalme (Figura 43). Si la barra viene provista con soportes de refuerzo opcionales de 85 000 A (vea la figura 44 en la página 54), también afloje la tuerca intermedia de cada ensamble de empalme.

NOTA: No retire los dos tornillos derechos ni el tornillo intermedio (si es aplicable) de los ensambles de empalme. Esto hará caer los espaciadores del ensamble de empalme. Si esto ocurre, vuelva a ensamblar las barras de empalme y los espaciadores (si es aplicable) en el orden correcto antes de continuar.

Figura 43 – Aflojamiento de los tornillos



Figura 44 – Soportes de refuerzo opcionales de 85 000 A

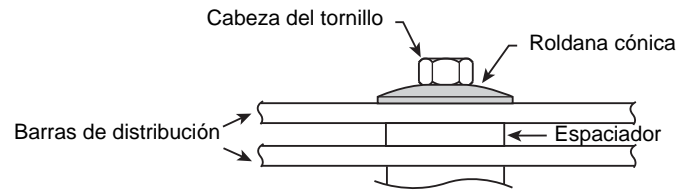
4. Deslice el ensamble de empalme hacia la izquierda hasta que los dos agujeros izquierdos estén alineados con los agujeros correspondientes en la barra horizontal en la sección izquierda (Figura 45).

Figura 45 – Deslizamiento del ensamble de empalme hacia a la izquierda

5. Vuelva a instalar los dos tornillos izquierdos y hágalos pasar por el ensamble de empalme y por la barra horizontal (Figura 46); asegúrese de volver a instalar las roldanas cónicas originales con el lado cóncavo orientado hacia el frente de la barra de empalme (Figura 47).

Figura 46 – Cómo introducir los tornillos de empalme

Figura 47 – Colocación de una roldana cónica debajo de la cabeza del tornillo



6. Apriete los tornillos de 41,87 a 43,22 N•m (31 a 32 lbs-pie), vea la Figura 48.

Figura 48 – Apriete de todos los tornillos



7. Repita los pasos 2 a 6 para todas las fases y la barra neutra (si fue provista).
8. Vuelva a colocar las cubiertas y barreras antes de energizar el equipo.

Empalme de la barra de tierra para los gabinetes tipo 1, tipo 12 y tipo 3R

⚠ PELIGRO

PELIGRO DE DESCARGA ELÉCTRICA, EXPLOSIÓN O DESTELLO POR ARQUEO

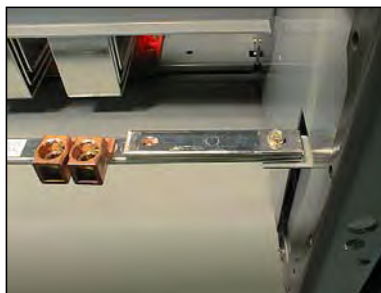
- Utilice equipo de protección personal (EPP) apropiado y siga las prácticas de seguridad en trabajos eléctricos establecidas por su Compañía, consulte la norma 70E de NFPA o Z462 de CSA y NOM-029-STPS.
- Solamente el personal eléctrico especializado deberá instalar y prestar servicio de mantenimiento a este equipo.
- Desenergice el equipo antes de realizar cualquier trabajo en él.
- Siempre utilice un dispositivo detector de tensión nominal adecuado para confirmar la desenergización del equipo.
- Vuelva a colocar todos los dispositivos, las puertas y las cubiertas antes de energizar este equipo.

El incumplimiento de estas instrucciones podrá causar la muerte o lesiones serias.

Siga estos pasos para empalmar la barra de tierra:

1. Desenergice el equipo antes de realizar cualquier trabajo dentro de él y siga los procedimientos de bloqueo / etiquetado. Siempre utilice un dispositivo detector de tensión nominal adecuado para confirmar la desenergización del equipo.
2. Retire los tornillos de la barra de tierra de las secciones izquierda y derecha (Figura 49).

Figura 49 – Barra de empalme de tierra como se envía de fábrica



3. Deslice la barra de empalme de tierra en la sección derecha, alineando los agujeros de montaje (Figura 50).

Figura 50 – Re-colocación del tornillo de la barra de tierra



4. Vuelva a colocar los tornillos de la barra de tierra (Figura 50) en las secciones izquierda y derecha. Apriete los tornillos de 6,75 a 8,44 N•m (60 a 75 lbs-pulg).
5. Vuelva a colocar todas las cubiertas y barreras y cierre las puertas.

Empalme de la barra de tierra para las secciones principales del ArcBlok con alimentación en la parte inferior

⚠ PELIGRO

PELIGRO DE DESCARGA ELÉCTRICA, EXPLOSIÓN O DESTELLO POR ARQUEO

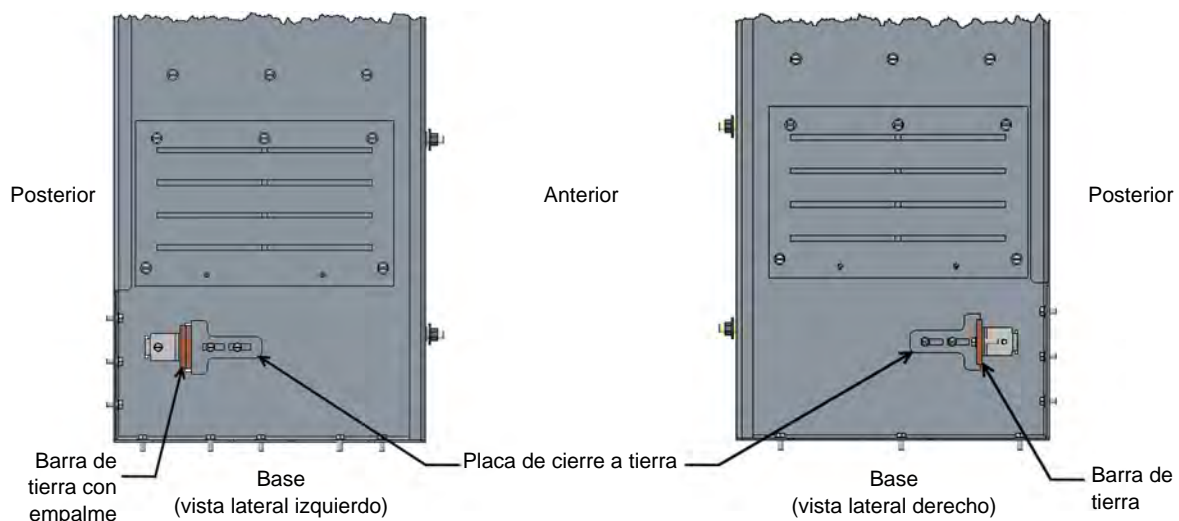
- Utilice equipo de protección personal (EPP) apropiado y siga las prácticas de seguridad eléctrica establecidas por su Compañía. Consulte la norma 70E de NFPA o NOM-029-STPS-2011.
- Solamente el personal eléctrico especializado deberá instalar y prestar servicios de mantenimiento a este equipo.
- Desenergice el equipo antes de realizar cualquier trabajo en él, y siga los procedimientos de bloqueo / etiquetado de su organización.
- Siempre utilice un dispositivo detector de tensión nominal adecuado para confirmar la desenergización del equipo.
- Vuelva a colocar todos los dispositivos, las puertas y las cubiertas antes de energizar este equipo.

El incumplimiento de estas instrucciones podrá causar la muerte o lesiones serias.

Para realizar el empalme de la barra de tierra, siga estos pasos:

1. Retire la cubierta delantera de la cámara de cables para acceder al ensamble de la barra de tierra.
2. Deslice la barra de empalme a tierra en la sección derecha y alinee los agujeros de montaje.
3. Reemplace los tornillos de la barra de tierra (vea la Figura 50 en la página 56) en las secciones derecha e izquierda.
4. Apriete los tornillos de la barra de tierra a 60–75 lbs-pulgadas (6,75–8,44 N•m).
5. Coloque las placas de cierre a tierra en posición para sellar la cámara de cables (Vea la figura 51).
 - a. Deslice la placa de cierre a tierra de la izquierda contra la barra de empalme.
 - b. Deslice la placa de cierre a tierra de la derecha hasta cerrar completamente la abertura de empalme del panel de la cámara de cables.
6. Vuelva a colocar todas las cubiertas y las barreras y cierre todas las puertas.

Figura 51 – Ubicación de las placas de cierre a tierra



Empalme de la barra de alimentación de una sección con barra de 2 500 A y corriente de cortocircuito de 100 000 A

Esta sección proporciona las instrucciones para empalmar la barra de alimentación de una sección tipo 1 o tipo 12 con una barra de 2 500 A reforzada para 100 000 A a la barra de alimentación de otra sección del mismo tipo. El material de empalme está cautivo en el ensamble de empalme integral a no ser que la sección esté equipada con una barra de desplazamiento.

⚠ PELIGRO

PELIGRO DE DESCARGA ELÉCTRICA, EXPLOSIÓN O DESTELLO POR ARQUEO

- Utilice equipo de protección personal (EPP) apropiado y siga las prácticas de seguridad en trabajos eléctricos establecidas por su Compañía, consulte la norma 70E de NFPA o Z462 de CSA y NOM-029-STPS.
- Solamente el personal eléctrico especializado deberá instalar y prestar servicio de mantenimiento a este equipo.
- Desenergice el equipo antes de realizar cualquier trabajo en él.
- Siempre utilice un dispositivo detector de tensión nominal adecuado para confirmar la desenergización del equipo.
- Vuelva a colocar todos los dispositivos, las puertas y las cubiertas antes de energizar este equipo.

El incumplimiento de estas instrucciones podrá causar la muerte o lesiones serias.

Siga estos pasos para empalmar las barras de alimentación:

1. Desenergice el equipo antes de realizar cualquier trabajo dentro de él y siga los procedimientos de bloqueo / etiquetado. Siempre utilice un dispositivo detector de tensión nominal adecuado para confirmar la desenergización del equipo.
2. Retire las cubiertas de la canalización de cables horizontal y deslice las barreras de las barras horizontales para tener acceso a los conectores de empalme cautivos (Figura 52). Consulte el Apéndice A para desmontar las barreras de las barras horizontales.

NOTA: En el ensamble de empalme integral, que se encuentra a la izquierda de cada barra de fase, el número de conexiones de barras es uno más que el número de barras horizontales. La conexión de barra que se encuentra más atrás contiene las tuercas cautivas.

Figura 52 – Cubiertas de la canalización de cables desmontadas y barreras de las barras horizontales abiertas



3. Retire los cuatro tornillos de cada ensamble de empalme (Figura 53).

Figura 53 – Extracción de los tornillos del ensamble de empalme

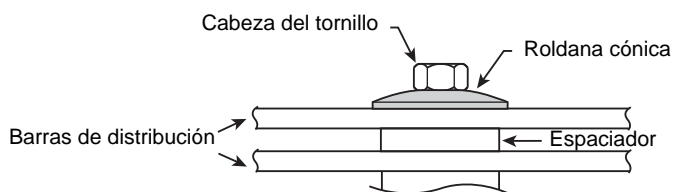


4. Deslice el ensamble de empalme hacia la izquierda hasta que los dos agujeros izquierdos estén alineados con los agujeros correspondientes en la barra horizontal en la sección izquierda (figura 54 en la página 59).

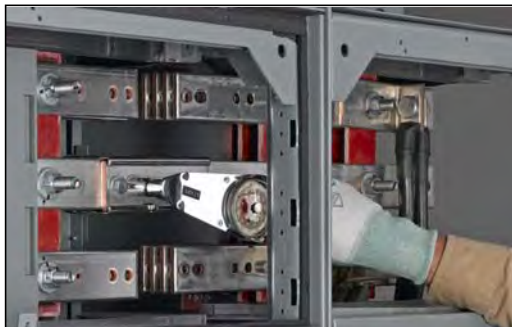
Figura 54 – Alineación de los agujeros de las barras



5. Vuelva a instalar los cuatro tornillos y hágalos pasar por el ensamble de empalme y por la barra horizontal (Figura 55); asegúrese de volver a instalar las roldanas cónicas originales con el lado cóncavo orientado hacia el frente de la barra de empalme (Figura 56).

Figura 55 – Cómo introducir los tornillos de empalme**Figura 56 – Colocación de una roldana cónica debajo de la cabeza del tornillo**

6. Apriete todos los tornillos, en ambos extremos, de 41,87 a 43,22 N•m (31 a 32 lbs-pie), vea la Figura 57.

Figura 57 – Apriete de los tornillos

7. Repita los pasos 2 a 6 para todas las fases y la barra neutra (si fue provista).
8. Vuelva a colocar las cubiertas y barreras antes de energizar el equipo.

Empalme de la barra de desplazamiento o 3000/3200 A horizontal (lado izquierdo de la estructura solamente)

⚠ PELIGRO

PELIGRO DE DESCARGA ELÉCTRICA, EXPLOSIÓN O DESTELLO POR ARQUEO

- Utilice equipo de protección personal (EPP) apropiado y siga las prácticas de seguridad en trabajos eléctricos establecidas por su Compañía, consulte la norma 70E de NFPA o Z462 de CSA y NOM-029-STPS.
- Solamente el personal eléctrico especializado deberá instalar y prestar servicio de mantenimiento a este equipo.
- Desenergice el equipo antes de realizar cualquier trabajo en él.
- Siempre utilice un dispositivo detector de tensión nominal adecuado para confirmar la desenergización del equipo.
- Vuelva a colocar todos los dispositivos, las puertas y las cubiertas antes de energizar este equipo.

El incumplimiento de estas instrucciones podrá causar la muerte o lesiones serias.

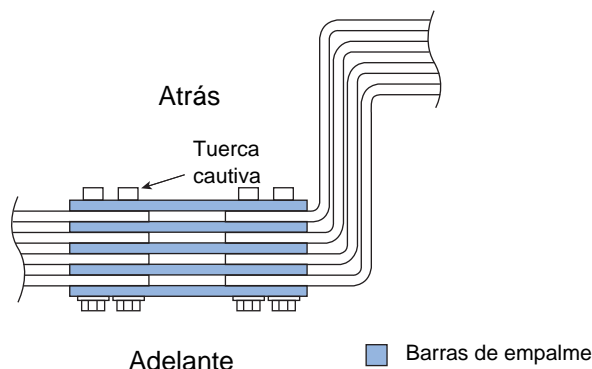
- NOTAS:**
- En todas las estructuras con una barra de desplazamiento o 3000/3200 A horizontal, las barras de empalme vienen incluidas en forma de accesorio. Este accesorio viene en un envase de cartón y se envía de fábrica dentro de la estructura. El accesorio contiene todas las barras de empalme y los herrajes de montaje necesarios para el empalme de las barras horizontales.
 - Utilice el accesorio de empalme sólo si va a realizar el empalme a la izquierda (mientras se encuentra frente a la estructura). Si el empalme no se realiza a la izquierda, retire el accesorio antes de energizar y consérvelo para una expansión futura. Si una estructura va a ser empalmada a otra estructura a la derecha, siga las instrucciones de empalme provistas para la aplicación de la estructura.
 - En el ensamble de empalme integral, que se encuentra a la izquierda de cada barra de fase, el número de conexiones de barras es uno más que el número de barras horizontales. La conexión de barra que se encuentra más atrás contiene las tuercas cautivas.

Realice los siguientes pasos para empalmar las barras horizontales en el lado izquierdo de la estructura:

1. Desenergice el equipo antes de realizar cualquier trabajo dentro de él y siga los procedimientos de bloqueo / etiquetado. Siempre utilice un dispositivo detector de tensión nominal adecuado para confirmar la desenergización del equipo.
2. Conecte las secciones siguiendo los pasos apropiados que comienzan en “Ubicación de los CCM” en la página 24 y que continúan hasta la página 45. Con esto se obtendrá la alineación correcta de las barras horizontales.

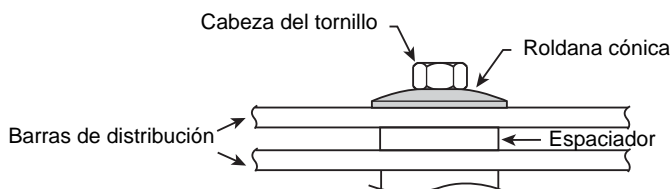
- Coloque la barra de empalme trasera (la barra con tuercas cautivas; Figura 58) contra la cara posterior de las barras horizontales traseras.

Figura 58 – Empalme de la barra de desplazamiento horizontal



- Instale una barra de empalme sencilla entre cada laminación de las barras horizontales; instale la última barra contra la cara frontal de las barras horizontales (Figura 58).
- Alinee los cuatro agujeros de montaje en la barra de empalme con los de la barra horizontal.
- Vuelva a instalar los dos tornillos izquierdos por el ensamble de empalme y por la barra horizontal; asegúrese de volver a instalar las roldanas cónicas originales con el lado cóncavo orientado hacia el frente de la barra de empalme (Figura 59).

Figura 59 – Colocación de una roldana cónica debajo de la cabeza del tornillo



- Para empalmes de barras principales de 600 a 2 500 A, apriete los tornillos de 31 a 32 lbs-pie (42 a 43 N•m). Para empalmes de barras principales de 3 000/3 200 A, apriete los tornillos en 70 lbs-pie (95 N•m). Apriete la tuerca intermedia en los ensambles de las barras de empalme 3R, de 85 kA reforzadas (consulte "Empalme de las barras de alimentación en los gabinetes tipo 3R" en la página 52) en 70 lbs-pie (95 N•m).
- Repita los pasos 2 a 6 para cada una de las tres fases de las barras horizontales.
- Vuelva a colocar las cubiertas y barreras antes de energizar el equipo.

Entrada de los conductores

PELIGRO

PELIGRO DE DESCARGA ELÉCTRICA, EXPLOSIÓN O DESTELLO POR ARQUEO

- Utilice equipo de protección personal (EPP) apropiado y siga las prácticas de seguridad en trabajos eléctricos establecidas por su Compañía, consulte la norma 70E de NFPA o Z462 de CSA y NOM-029-STPS.
- Solamente el personal eléctrico especializado deberá instalar y prestar servicio de mantenimiento a este equipo.
- Desenergice el equipo antes de realizar cualquier trabajo en él.
- Siempre utilice un dispositivo detector de tensión nominal adecuado para confirmar la desenergización del equipo.
- Vuelva a colocar todos los dispositivos, las puertas y las cubiertas antes de energizar este equipo.

El incumplimiento de estas instrucciones podrá causar la muerte o lesiones serias.

El área para el tubo conduit se encuentra en la parte superior e inferior de la estructura del CCM. Las placas superiores (y las placas de cierre en la parte inferior, si están instaladas) son removibles para facilitar el alambrado y para hacer los cortes para la entrada del tubo conduit). El acceso al compartimiento de la zapata principal, del interruptor automático principal o del desconectador principal es a través de una puerta abisagrada o cubierta. En algunos casos, se deberá desmontar la cubierta de la canalización de cables horizontal.

Se encuentran disponibles cajas de derivación si se requiere espacio adicional para el alambrado.

Los valores de par de apriete para la conexión de los cables figuran en las tablas 4 y 5 en la página 82.

Entrada del conductor para cámaras de cables con aislamiento del lado de línea con ArcBlok

La entrada del tubo conduit en las secciones del interruptor principal equipadas con ArcBlok y cámaras de cables con aislamiento del lado de línea requerirán:

- El uso de una caja de derivación de 18 pulg para entrada de alimentación en la parte superior con una placa superior removible.
- Las cámaras de cables con aislamiento del lado de línea requieren que se retiren las cubiertas y las barreras del gabinete antes de retirar la cubierta delantera de la cámara de cables y la cubierta de la zapata del ArcBlok.

Figura 60 – Acceso a la cámara de cables con aislamiento del lado de línea y al interruptor principal del ArcBlok con alimentación en la parte superior

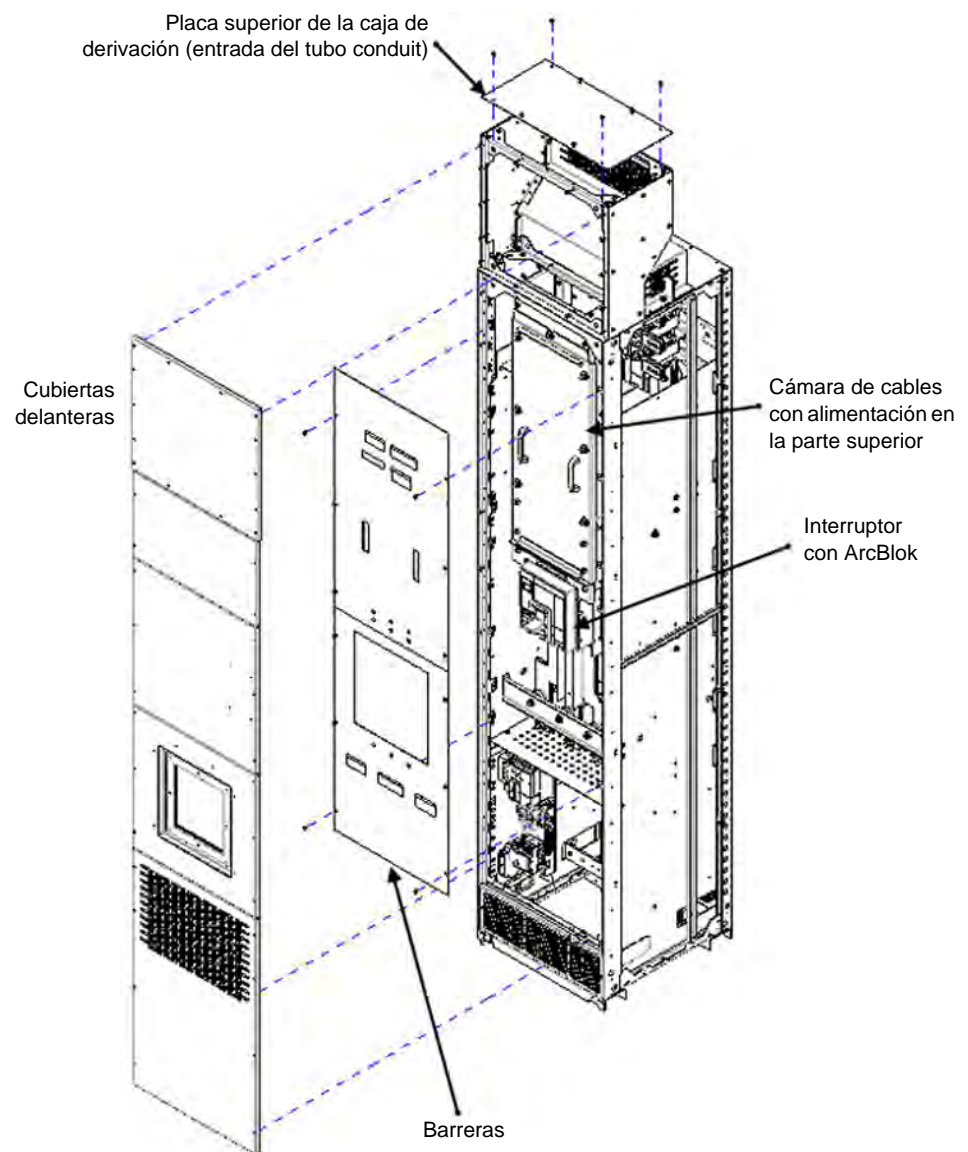
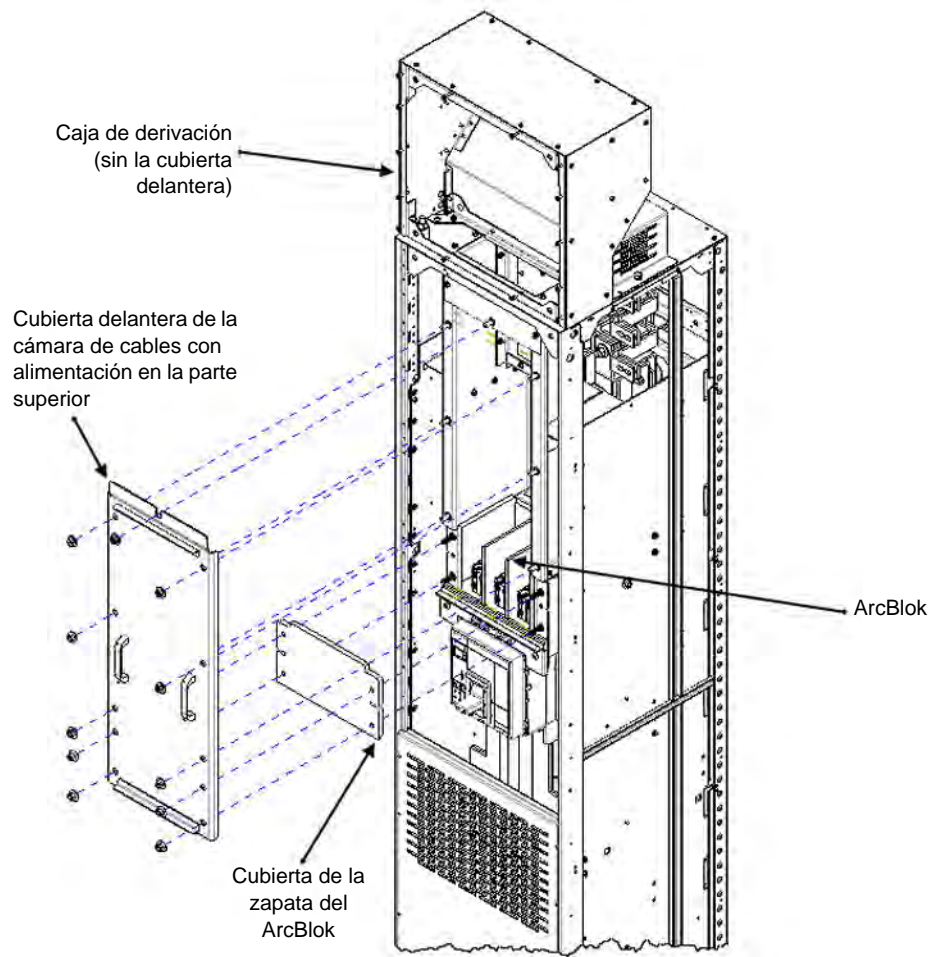


Figura 61 – Acceso a la cámara de cables con aislamiento del lado de línea y al interruptor de zapata principal del ArcBlok con alimentación en la parte superior



ESPAÑOL

Figura 62 – Acceso a la cámara de cables con aislamiento del lado de línea y al interruptor principal del ArcBlok con alimentación en la parte inferior

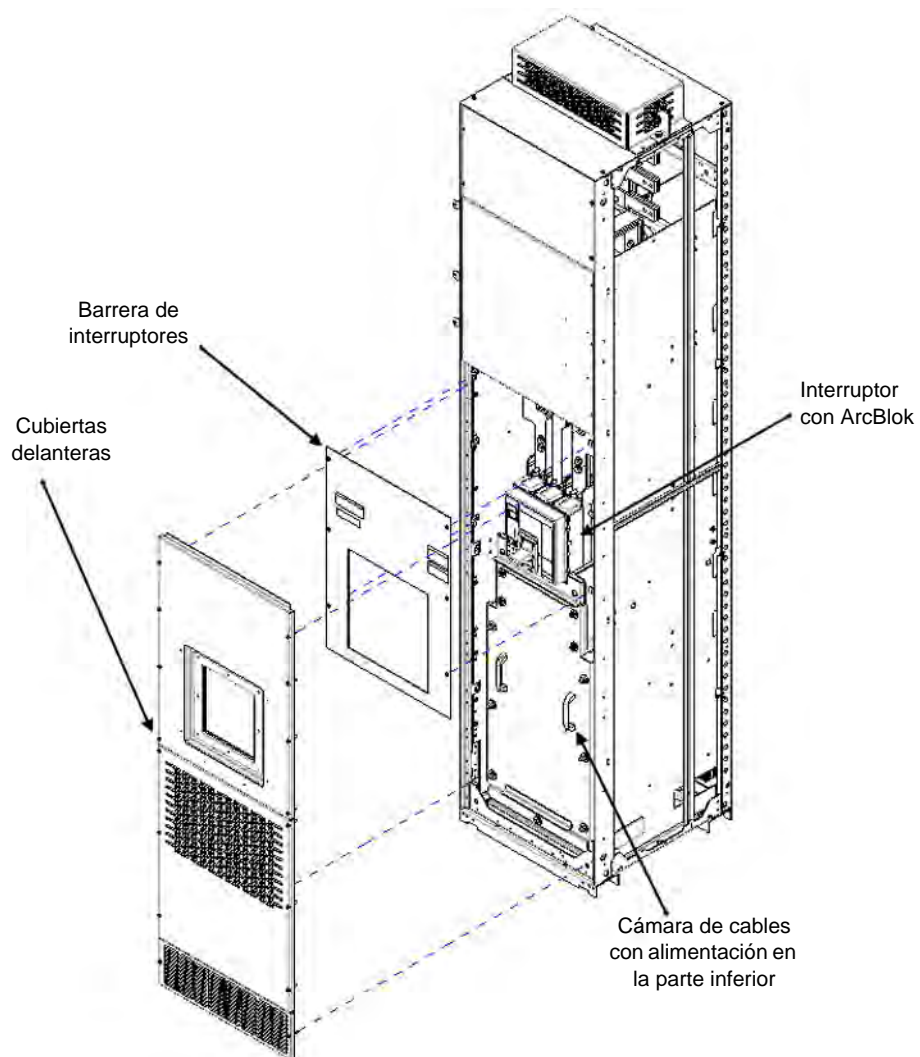
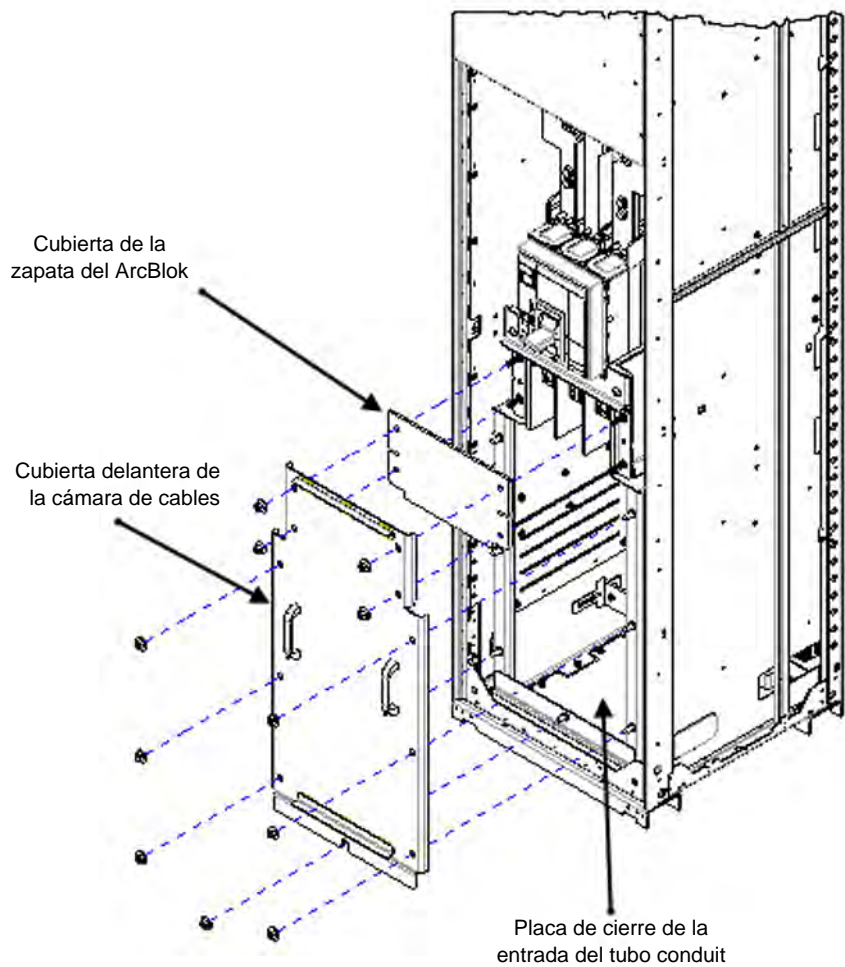
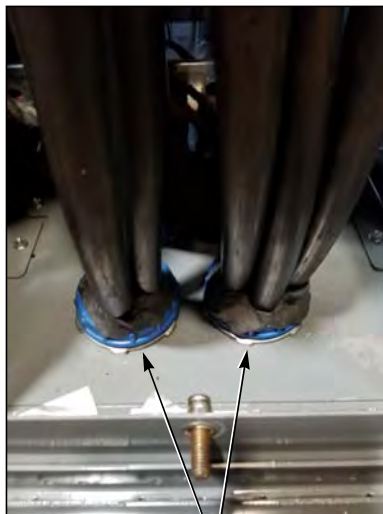


Figura 63 – Acceso a la cámara de cables con aislamiento del lado de línea y al interruptor de zapata principal del ArcBlok con alimentación en la parte inferior



NOTA: La entrada del cable en las cámaras de cables con aislamiento del lado de línea debe usar dispositivos de conexión de tubo conduit instalados en la placa de cierre (en las aplicaciones con alimentación en la parte inferior) o en la placa de cierre superior de la caja de derivación (en aplicaciones con alimentación en la parte superior). Los tubos conduit deben sellarse con masilla para sellar conductos.

Figura 64 – Instalación y sellado del tubo conduit de la cámara de cables con aislamiento del lado de línea



Tubo conduit en placa de cierre inferior extraíble sellada con masilla para conductos

Instrucciones para el cableado del cable de entrada—Cámara de cables con aislamiento del lado de línea

Todos los cables deben estar sujetos y asegurados antes de instalar la cubierta delantera de la cámara de cables.

⚠ PELIGRO

PELIGRO DE DESCARGA ELÉCTRICA, EXPLOSIÓN O DESTELLO POR ARQUEO

- Utilice equipo de protección personal (EPP) apropiado y siga las prácticas de seguridad en trabajos eléctricos establecidas por su Compañía, consulte la norma 70E de NFPA o Z462 de CSA y NOM-029-STPS.
- Desenergice el equipo antes de realizar cualquier trabajo en él.
- Siempre utilice un dispositivo detector de tensión nominal adecuado para confirmar la desenergización del equipo.
- Vuelva a colocar todos los dispositivos, las puertas y las cubiertas antes de energizar este equipo.

El incumplimiento de estas instrucciones podrá causar la muerte o lesiones serias.

1. Como material de sujeción, seleccione cuerda de sisal o cáñamo con una fuerza de tracción mínima de 2500 libras (625 libras de carga de trabajo). Aplique cinta en los extremos deshilachados de la cuerda antes de sujetar los cables.
2. Sujete los cables de todas las fases en un solo manojo con una cuerda continua. La cubierta de la zapata del ArcBlok debe estar colocada y

atornillada antes de la sujeción (figura 65 en la página 69). Asegúrese de que las barreras interfásicas estén en los canales de la cubierta de la zapata del ArcBlok. Si no lo hace, el rendimiento del equipo se verá afectado.

Figura 65 – Cubierta de la zapata del ArcBlok colocada antes de la sujeción



Cubierta de la zapata del ArcBlok

3. La sujeción requerirá dos conjuntos de grupos de bucles: un conjunto de bucle de entrada y un segundo grupo de bucle más cercano al ArcBlok.
4. Conecte un extremo de la cuerda al manojó de cables.
5. Después de conectar la cuerda a los cables, forme un bucle con la cuerda y jale del bucle alrededor del manojó de cables desde atrás. Jale del extremo suelto de la cuerda a través del bucle (Figura 66).

Figura 66 – Primer bucle de sujeción de cables



6. Continúe jalando de la cuerda a través del bucle hasta que la cuerda esté tensa. Continúe formando grupos de bucles de no más de dos bucles, envolviendo el manojó de cables cuatro veces.

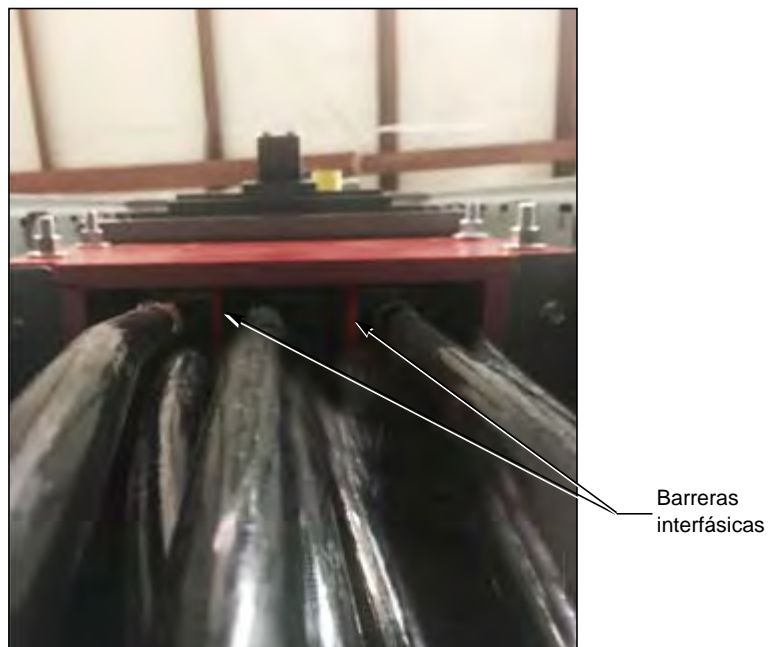
7. A continuación, para formar el segundo grupo de bucles, jale de la cuerda alrededor del manojo de cables. Forme un bucle jalando del extremo suelto debajo de la cuerda. Continúe jalando de la cuerda a través del bucle hasta que la cuerda esté tensa alrededor del manojo de cables. Repita el procedimiento hasta que el manojo de cables tenga no más de dos bucles, envolviendo el manojo de cables cuatro veces. El espacio entre los grupos de bucles superior e inferior no debe ser menor a 4 pulg (102 mm) (Figura 67).

Figura 67 – Grupos de sujeción de cables superior e inferior



8. Asegúrese de que los manojos de cables no desconecten las barreras interfásicas de los canales de la cubierta de la zapata del ArcBlok (Figura 68 a continuación y Figura 69 en la página 71).

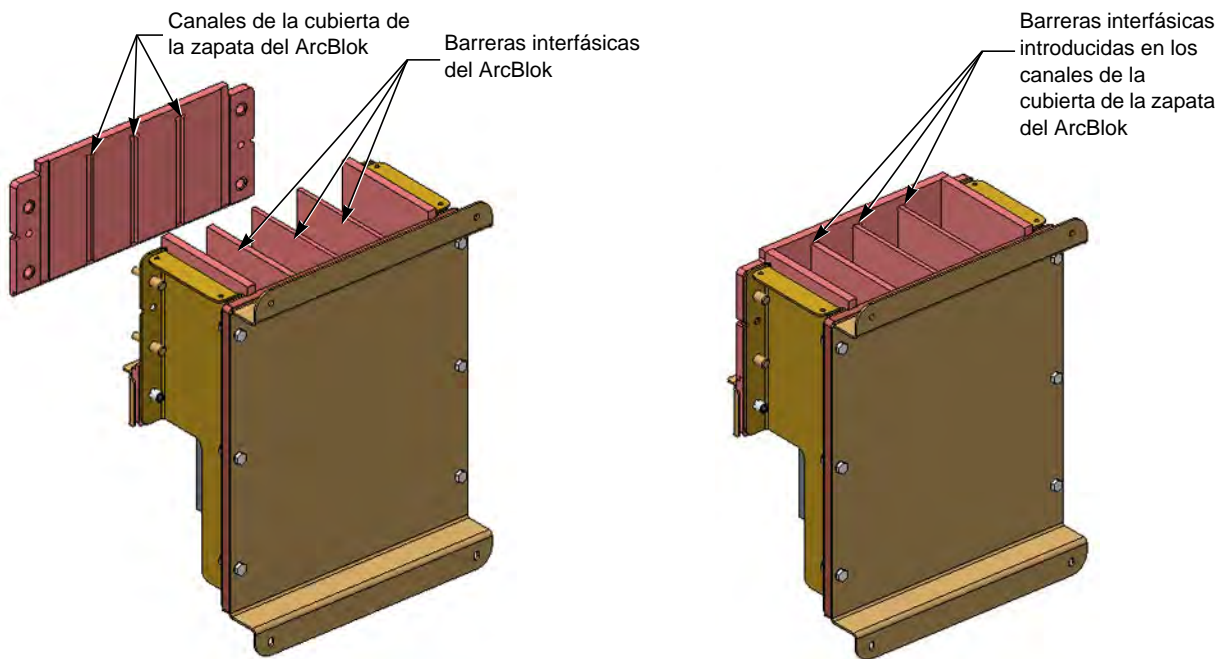
Figura 68 – Barreras interfásicas del ArcBlok



9. Después de haber sujetado todo el manajo de cables, amarre firmemente los extremos de las cuerdas a los grupos de bucles, luego corte y encinte los extremos para evitar que se deshilachen. Asegúrese de que los extremos de la cuerda no obstruyan la cubierta delantera de la cámara de cables, que no se superpongan con los sellos o con el amortiguador del panel trasero.
10. Mientras mantiene la cubierta de la zapata del ArcBlok en su lugar, retire todo el hardware de la cubierta.

NOTA: Asegúrese de que las barreras interfásicas permanezcan introducidas en los canales de la cubierta de la zapata del ArcBlok (Figura 69 en la página 71).

Figura 69 – Barreras interfásicas del ArcBlok y canales de la cubierta de la zapata



11. Coloque la cubierta delantera de la cámara de cables sobre la cubierta de la zapata del ArcBlok.
12. Instale tuercas Keps™ de 3/8–16 y apriételas a 20–23 lbs-pies (27–31 N•m).

Instalación de la tapa de ventilación

⚠ PELIGRO

PELIGRO DE DESCARGA ELÉCTRICA, EXPLOSIÓN O DESTELLO POR ARQUEO

- Utilice equipo de protección personal (EPP) apropiado y siga las prácticas de seguridad en trabajos eléctricos establecidas por su Compañía, consulte la norma 70E de NFPA o Z462 de CSA y NOM-029-STPS.
- Solamente el personal eléctrico especializado deberá instalar y prestar servicio de mantenimiento a este equipo.
- Desenergice el equipo antes de realizar cualquier trabajo en él.
- Siempre utilice un dispositivo detector de tensión nominal adecuado para confirmar la desenergización del equipo.
- Vuelva a colocar todos los dispositivos, las puertas y las cubiertas antes de energizar este equipo.
- No perforo ni haga cortes en el área superior del centro de control de motores.
- Evite contaminar el centro de control de motores con polvo o residuos.
- NO levante el gabinete por la tapa de ventilación ni conectando provisiones de levantamiento a ella.

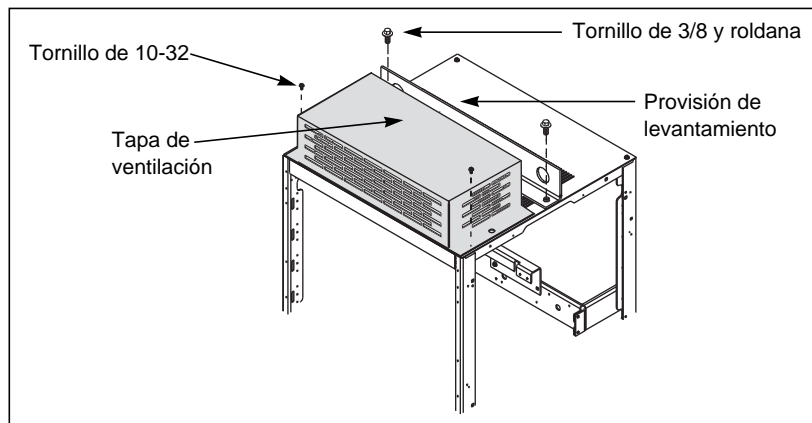
El incumplimiento de estas instrucciones podrá causar la muerte o lesiones serias.

Esta sección contiene las instrucciones de instalación de una tapa de ventilación sobre las ventilas de la placa superior en un centro de control de motores (CCM).

- NOTAS:**
- No instale la tapa de ventilación sino hasta que el CCM se encuentre en su ubicación final.
 - Conserve todos los herrajes.

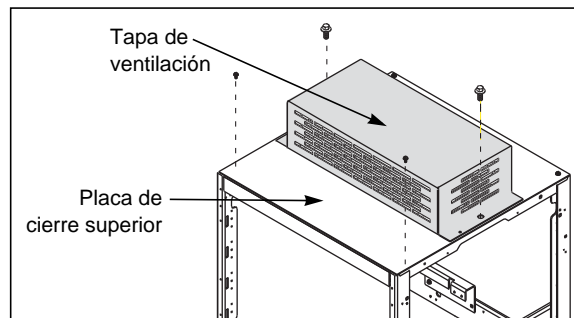
1. Desenergice el equipo antes de realizar cualquier trabajo dentro de él y siga los procedimientos de bloqueo / etiquetado. Siempre utilice un dispositivo detector de tensión nominal adecuado para confirmar la desenergización del equipo.
2. Retire los tornillos de 3/8, las roldanas y las provisiones de levantamiento (Figura 70).

Figura 70 – Extracción de los herrajes



3. Retire los dos tornillos de 10-32 que sujetan la tapa de ventilación y la placa de cierre a la parte superior del gabinete (Figura 70).
4. Una vez que haya retirado la tapa de ventilación, sujete la placa de cierre superior volviendo a instalar los tornillos de 10-32 que retiró en el paso 3 (figura 71 en la página 73).

Figura 71 – Re-colocación y fijación de la tapa de ventilación



5. Coloque la tapa de ventilación en la parte superior del gabinete, como se muestra en la figura.
6. Sujete la tapa de ventilación en su lugar utilizando los dos tornillos de 3/8 y roldanas que retiró en el paso 2. Apriete los tornillos de 3,164 a 3,729 N•m (28 a 33 lbs-pulg).

Instalación de la caja de derivación

⚠ PELIGRO

PELIGRO DE DESCARGA ELÉCTRICA, EXPLOSIÓN O DESTELLO POR ARQUEO

- Utilice equipo de protección personal (EPP) apropiado y siga las prácticas de seguridad en trabajos eléctricos establecidas por su Compañía, consulte la norma 70E de NFPA o Z462 de CSA y NOM-029-STPS.
- Solamente el personal eléctrico especializado deberá instalar y prestar servicio de mantenimiento a este equipo.
- Desenergice el equipo antes de realizar cualquier trabajo en él.
- Siempre utilice un dispositivo detector de tensión nominal adecuado para confirmar la desenergización del equipo.
- Vuelva a colocar todos los dispositivos, las puertas y las cubiertas antes de energizar este equipo.
- No perforo ni haga cortes en el área superior del centro de control de motores.
- Evite contaminar el centro de control de motores con polvo o residuos.
- NO levante el gabinete por la caja de derivación ni conectando provisiones de levantamiento a ella.

El incumplimiento de estas instrucciones podrá causar la muerte o lesiones serias.

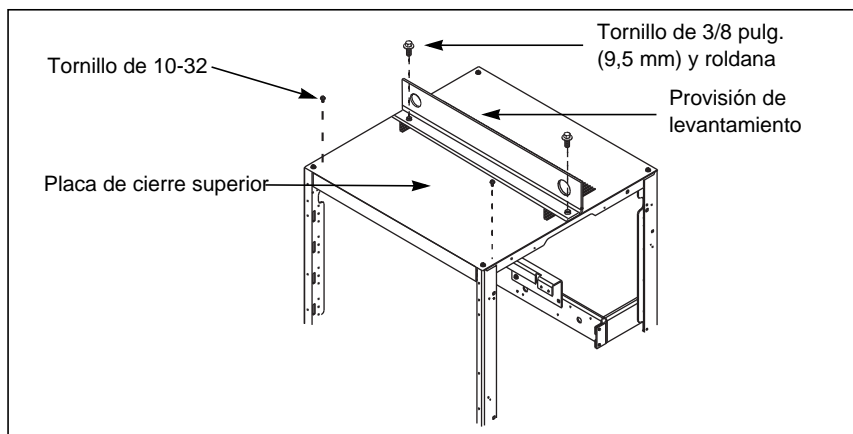
Esta sección contiene las instrucciones de instalación de una caja de derivación en los CCM de baja tensión. Las cajas de derivación son de 304,8 mm (12 pulg) o 457,2 mm (18 pulg) de alto y van montadas en la parte superior del CCM.

- NOTAS:**
- No instale la caja de derivación sino hasta que el CCM se encuentre en su ubicación final.
 - Conserve todos los herrajes.

Caja de derivación para CCM de bajo voltaje estándar

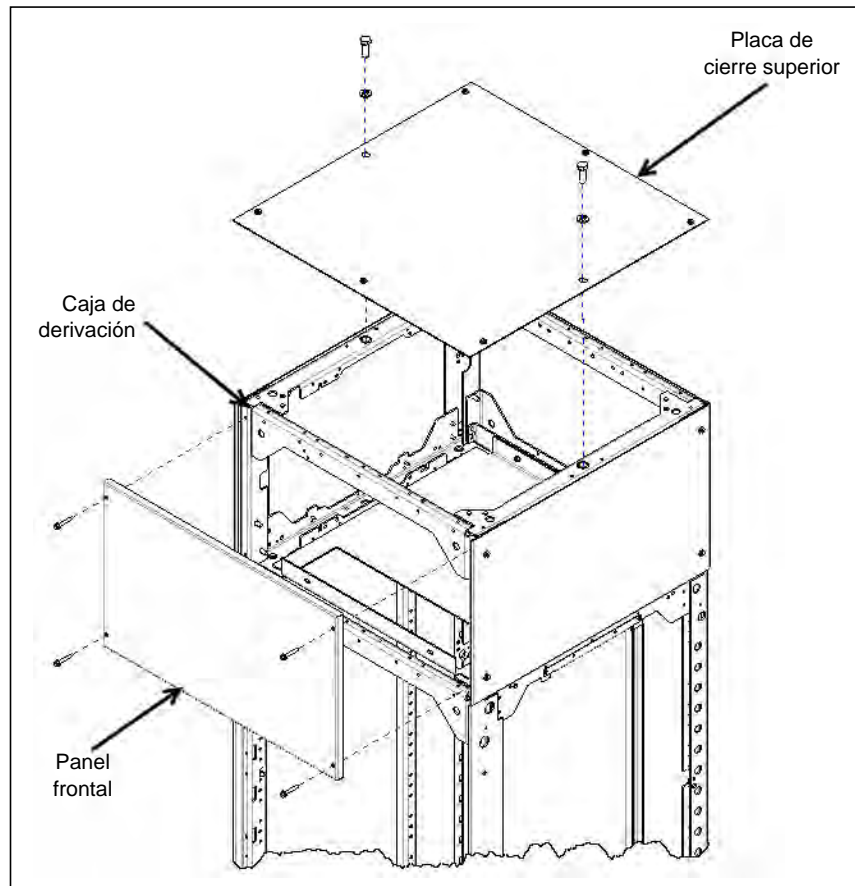
1. Desenergice el equipo antes de realizar cualquier trabajo dentro de él y siga los procedimientos de bloqueo / etiquetado. Siempre utilice un dispositivo detector de tensión nominal adecuado para confirmar la desenergización del equipo.
2. Retire los tornillos de 3/8 pulg, las roldanas y las provisiones de levantamiento (Figura 72).

Figura 72 – Extracción de los herrajes



3. Retire los dos tornillos de 10-32 que sujetan la placa de cierre superior a la parte superior del gabinete (Figura 72).
4. Retire la placa de cierre superior de la estructura.
5. Desmonte el panel frontal de la caja de derivación. Coloque la caja de derivación en la parte superior del gabinete, como se muestra en la Figura 73.

Figura 73 – Instalación de la caja de derivación

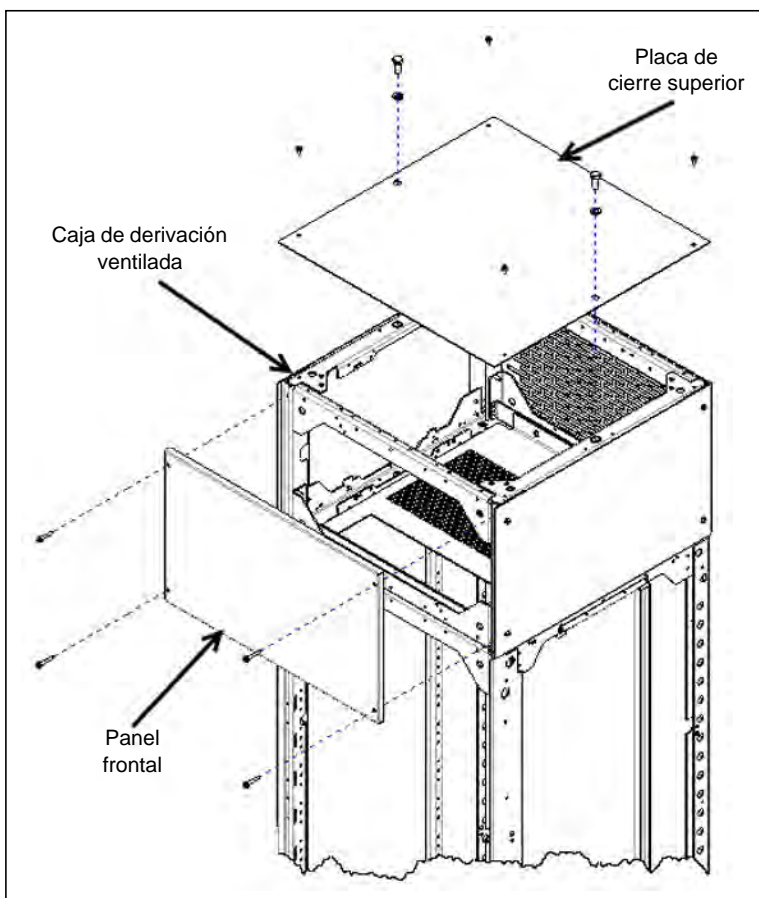


6. Instale los dos tornillos de 3/8 pulg. y roldanas que retiró del paso 2. Hágalos pasar por los canales laterales inferiores de la caja de derivación y por la parte superior del gabinete. Apriete los tornillos de 3,164 a 3,729 N•m (28 a 33 lbs-pulg).
7. Vuelva a instalar el panel frontal de la caja de derivación que retiró en el paso 5 y la placa de cierre superior que retiró en el paso 4 (Figura 73).

Caja de derivación para CCM de bajo voltaje ventilada

1. Siga las mismas instrucciones que utilizó para la instalación de la caja de derivación estándar, excepto que deberá retirar y desechar la placa de cierre superior de la sección del CCM. La caja de derivación ventilada viene con una placa superior sólida.

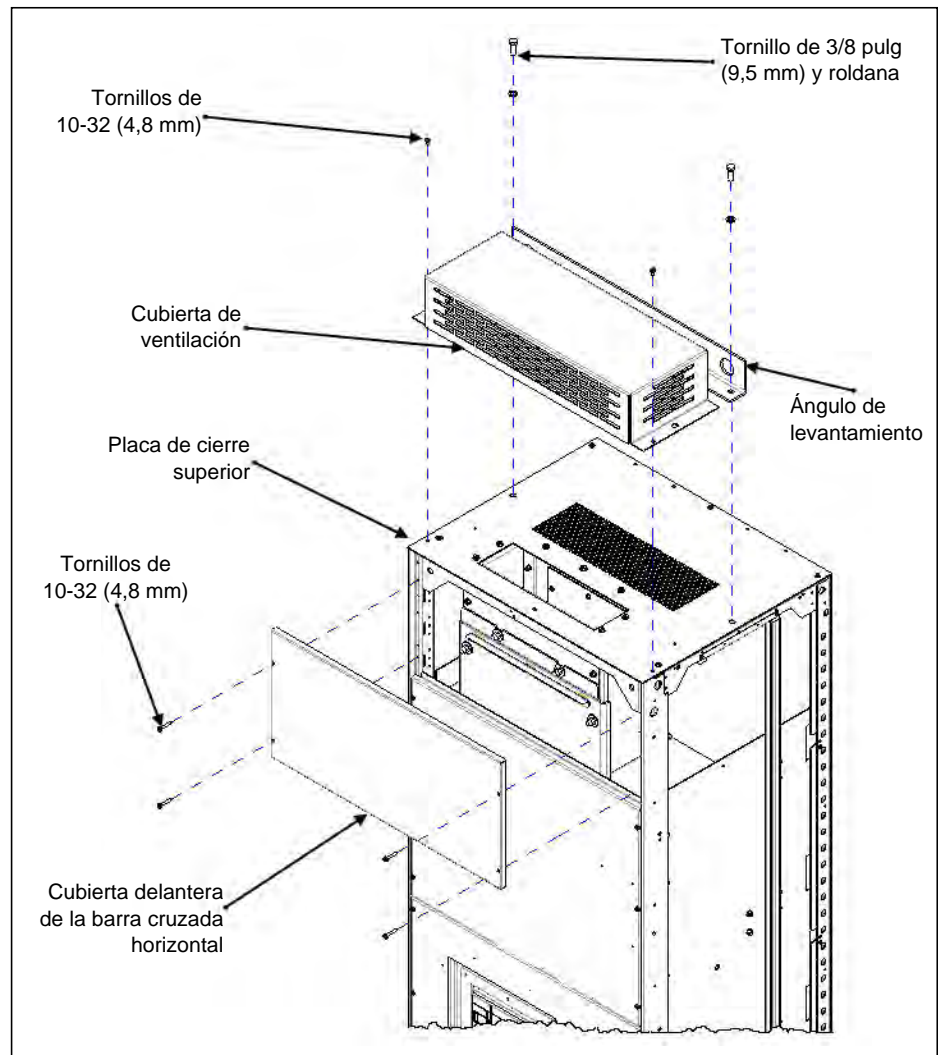
Figura 74 – Instale la caja de derivación



Caja de derivación para CCM de bajo voltaje con aislamiento del lado de línea

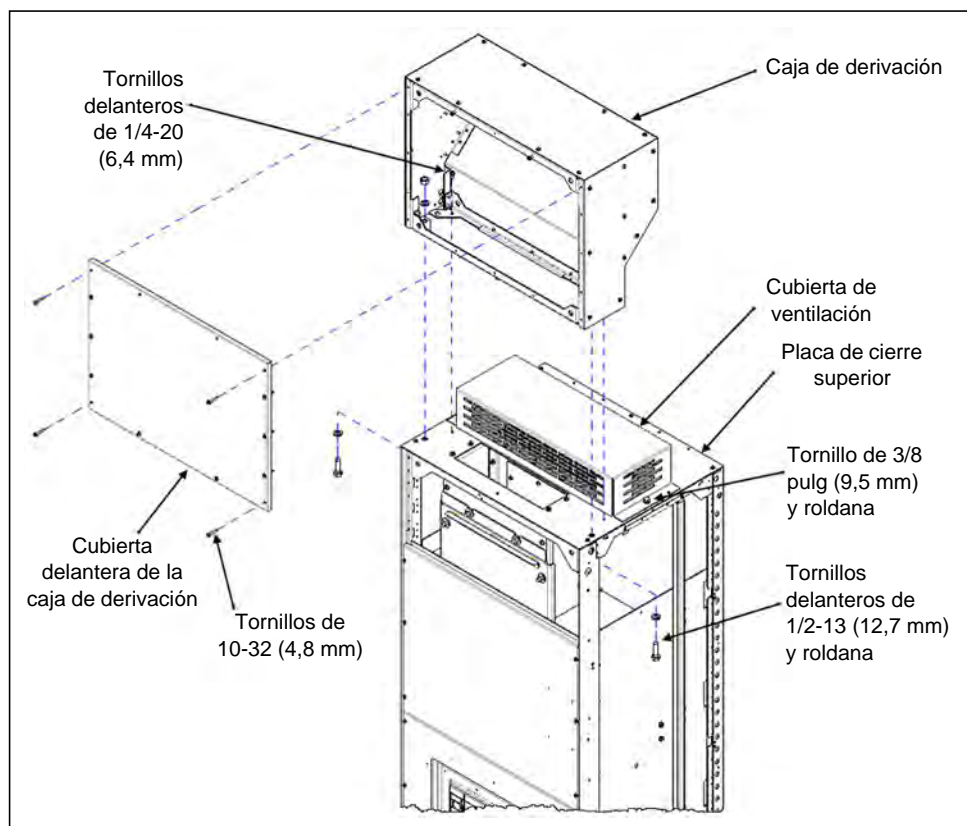
1. Desenergice el equipo antes de realizar cualquier trabajo en él y siga los procedimientos de bloqueo / etiquetado. Utilice siempre un dispositivo detector de tensión nominal adecuado para confirmar la desenergización del equipo.
2. Retire los tornillos de 3/8 pulg (9,5 mm), las roldanas y el ángulo de levantamiento (Figura 75).
3. Retire los tornillos de 10 /32 pulg (4,8 mm) y la cubierta de ventilación (Figura 75).
4. Retire los tornillos de 10/32 pulg (4,8 mm) y la cubierta delantera de la barra cruzada horizontal (Figura 75).

Figura 75 – Retire el hardware



5. Retire la caja de derivación para acceder a la instalación (Figura 76).
6. Instale tornillo de 1/2 pulg (12,7 mm) y roldanas desde la parte interior del gabinete a través de la placa de cierre superior y hacia el canal delantero de la caja de derivación. Complete la conexión con una roldana y una tuerca en el interior de la caja de derivación.
7. Instale dos tornillos de 1/4 pulg (6,4 mm) en el canal posterior de la caja de derivación y hacia la placa de cierre superior.
8. Instale los dos tornillos de 3/8 pulg (9,5 mm) y roldanas que retiró en el paso 2. Colóquelos a través de las bisagras del lado inferior de la cubierta de ventilación y hacia la parte superior del gabinete. Apriete los tornillos a 28–33 lbs-pulg (3,164–3,729 N•m).
9. Vuelva a instalar la cubierta delantera de la caja de derivación que retiró en el paso 5 (Figura 76) y la barra cruzada horizontal que retiró en el paso 4 (Figura 75 en la página 77).

Figura 76 – Instale la caja de derivación



Alambrado de carga y de control

Las canalizaciones de cables horizontales superior e inferior y la canalización de cables vertical son áreas convenientes para tender la línea entrante, los cables de control y carga (Figura 77). Las aberturas entre las secciones permiten el paso de los cables de una sección a la siguiente para su interconexión.

Figura 77 – Alambrado en la canalización de cables horizontal superior



Los cables de control y de alimentación se dirigen a cada unidad a través de la canalización de cables vertical. Los agujeros para cables con roldana aislante (si viene provisto con ellas) deben cortarse para dirigir los cables a la unidad. El patrón de corte en forma de H viene pre-ranurado para facilitar su apertura. Con una navaja pequeña, corte por el centro de las lengüetas y complete la sección en forma de H (Figura 78). Al hacer el corte, asegúrese de no dañar los cables que se encuentran cerca de la roldana aislante.

Figura 78 – Roldana aislante de la canalización de cables vertical



Las terminales de control desprendibles (Figura 79) vienen montadas sobre un riel DIN de 35 mm situadas junto a los agujeros para cables y orientadas hacia el frente de la unidad. Realice las terminaciones de los cables de control de campo en la parte desmontable del bloque.

Figura 79 – Bloque de terminales desprendible



Instalación del ensamble de cables con zapatas de compresión en unidades de desconexión alambradas

⚠ PELIGRO

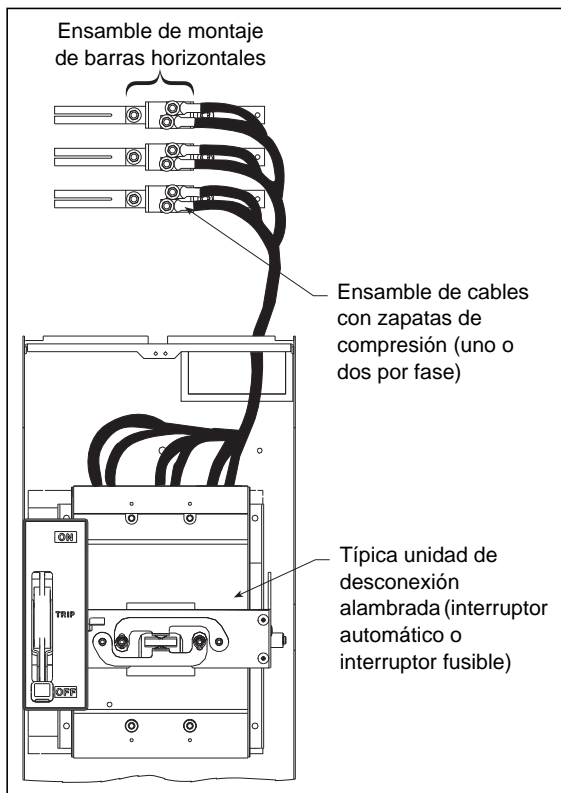
PELIGRO DE DESCARGA ELÉCTRICA, EXPLOSIÓN O DESTELLO POR ARQUEO

- Utilice equipo de protección personal (EPP) apropiado y siga las prácticas de seguridad en trabajos eléctricos establecidas por su Compañía, consulte la norma 70E de NFPA o Z462 de CSA y NOM-029-STPS.
- Solamente el personal eléctrico especializado deberá instalar y prestar servicio de mantenimiento a este equipo.
- Desenergice el equipo antes de realizar cualquier trabajo en él.
- Siempre utilice un dispositivo detector de tensión nominal adecuado para confirmar la desenergización del equipo.
- Vuelva a colocar todos los dispositivos, las puertas y las cubiertas antes de energizar este equipo.

El incumplimiento de estas instrucciones podrá causar la muerte o lesiones serias.

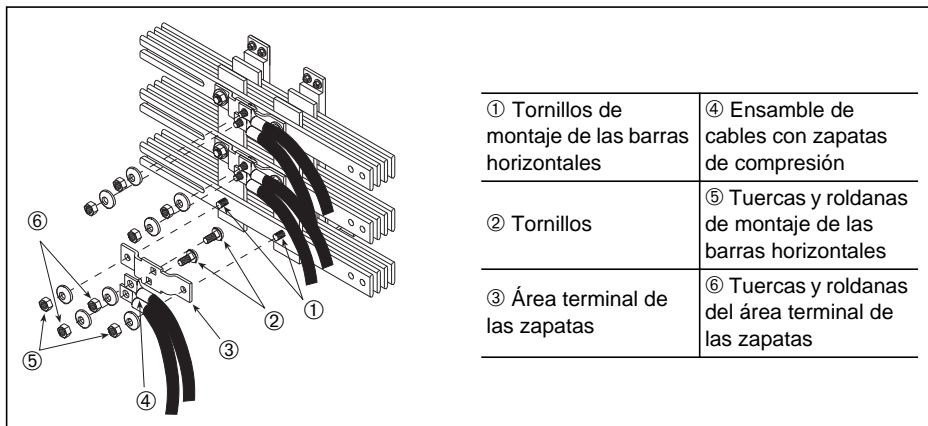
1. Desenergice el equipo antes de realizar cualquier trabajo dentro de él y siga los procedimientos de bloqueo / etiquetado. Siempre utilice un dispositivo detector de tensión nominal adecuado para confirmar la desenergización del equipo.
2. Obtenga acceso a las barras horizontales en el centro de control de motores.

Figura 80 – Típica unidad de desconexión alambrada



3. Retire las tuercas y roldanas de montaje (⑤) de las barras horizontales del ensamble de barra horizontal.

Figura 81 – Típico ensamble de barras horizontales



4. Inserte los tornillos (②) por la parte trasera del área terminal de las zapatas (③).
5. Con las tuercas y roldanas que retiró en el paso 3, conecte el área terminal de las zapatas a los tornillos de montaje (①) de las barras horizontales.
6. Apriete las tuercas de montaje de las barras horizontales de 93 a 95 N•m (820 a 840 lbs-pulg).
7. Dirija el cable al interruptor automático o unidad de desconexión fusible; corte el cable en la longitud deseada.
8. Con las tuercas y roldanas (⑥) del área terminal de las zapatas, conecte el ensamble de cables con zapatas de compresión (④) a los tornillos en el área terminal de las zapatas.
9. Apriete las tuercas del área terminal de las zapatas de 93 a 95 N•m (820 a 840 lbs-pulg).

ESPAÑOL

Valores de par de apriete para la conexión de los cables

Las siguientes tablas proporcionan los valores de par de apriete para los conductores de cobre y aluminio del desconectador principal y alimentador derivado.

Figura 82 – Compartimiento de zapatas principales (par de apriete de las conexiones)



Tabla 4 – Valores de par de apriete para la conexión en los compartimientos de zapatas principales¹

Tamaño de hexágono	Par de apriete
3/8 pulg	42,4 N•m (375 lbs-pulg)
1/2 pulg	55,6 N•m (500 lbs-pulg) para compartimientos inferiores de zapatas principales de 800 a 1 200 A
	67,8 N•m (600 lbs-pulg) para todos los demás

¹ Consulte la figura 82.

Tabla 5 – Valores de par de apriete para la conexión de desconectadores principales y alimentadores derivados

Tamaño de marco	Valor nominal en amperes	Par de apriete
B	15–125 A	5,0 N•m (44 lbs-pulg) para #14 - #8 9,0 N•m (80 lbs-pulg) para #6 - #3/0
H	15–30 A	5,6 N•m (50 lbs-pulg)
	35–100 A	13,6 N•m (120 lbs-pulg)
J	150–250 A	25,4 N•m (225 lbs-pulg)
FA	15–30 A	3,9 N•m (35 lbs-pulg)
	35–100 A	9,0 N•m (80 lbs-pulg)
FC	20–30 A 4	4,0 N•m (35 lbs-pulg)
	0–100 A	7,3 N•m (65 lbs-pulg)
KA	70–250 A	28,2 N•m (250 lbs-pulg)
KC	110–250 A	28,2 N•m (250 lbs-pulg)
LA/LH	125–400 A	22,6 N•m (200 lbs-pulg)
LC/LI/LE/LX/LXI	300–600 A	33,9 N•m (300 lbs-pulg)
LG/LH/LL/LR	300–600 A	50 N•m (442 lbs-pulg)
MA/MH/ME/MX	200–400 A	33,9 N•m (300 lbs-pulg)
	450–1000 A	33,9 N•m (300 lbs-pulg)
NT	400–1 200 A	67,8 N•m (600 lbs-pulg)
NW (entrada por la parte superior)	400–2 500 A	67,8 N•m (600 lbs-pulg)
PA/PH/PE/PX	800–2 000 A	67,8 N•m (600 lbs-pulg)
MJ/MG	300–800 A	50,8 N•m (450 lbs-pulg)
PJ/PK/PG/PL	250–1200 A	50,8 N•m (450 lbs-pulg)
RJ/RK/RG/RL	600–2500 A	56,5 N•m (500 lbs-pulg)

Información sobre los componentes

Los manuales de los componentes para dispositivos tales como los variadores de velocidad, los arrancadores a tensión reducida de estado sólido y los controladores lógicos programables han sido incluidos con el paquete de información de instrucciones del CCM.

Los datos de selección de los elementos térmicos figuran en el interior de la puerta de la canalización de cables vertical de cada sección. Esta información también figura en este boletín; consulte “Selección de los elementos térmicos del relevador

de sobrecarga” que comienza en la página 156. Seleccione los elementos térmicos de las tablas correspondientes al tamaño de arrancador.

Modificación de la ubicación de los clips para fusibles

⚠ PELIGRO

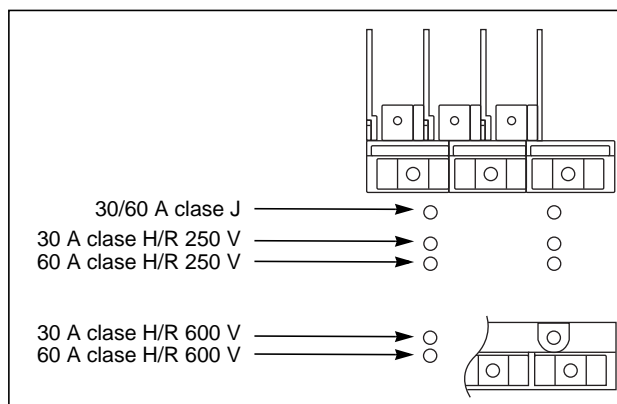
PELIGRO DE DESCARGA ELÉCTRICA, EXPLOSIÓN O DESTELLO POR ARQUEO

- Utilice equipo de protección personal (EPP) apropiado y siga las prácticas de seguridad en trabajos eléctricos establecidas por su Compañía, consulte la norma 70E de NFPA o Z462 de CSA y NOM-029-STPS.
- Solamente el personal eléctrico especializado deberá instalar y prestar servicio de mantenimiento a este equipo.
- Nunca haga funcionar el interruptor energizado con la puerta abierta.
- Desconecte el interruptor antes de retirar o instalar los fusibles o realizar las conexiones del lado de carga.
- Siempre utilice un dispositivo detector de tensión nominal adecuado en todos los clips para fusibles en los lados de línea y carga para confirmar la desenergización del interruptor.
- Desenergice el interruptor antes de realizar cualquier otro trabajo dentro o fuera de él.
- No use fusibles renovables en los interruptores fusibles.

El incumplimiento de estas instrucciones podrá causar la muerte o lesiones serias.

Instale las bases de fusibles de 30 y 60 A para el tamaño y clase de fusible apropiado y la tensión máxima de las unidades de arrancador tamaños 1 y 2. La bandeja base del interruptor desconectador tiene cinco juegos de agujeros de montaje para este propósito. La base inferior del portafusibles viene de fábrica instalada en los agujeros de montaje apropiados (Figura 83). Es posible adquirir clips y bases adicionales si cambia de clase de fusible.

Figura 83 – Ubicación de los clips para fusibles, tamaños 1 y 2



Desenergice el equipo antes de realizar cualquier trabajo dentro de él y siga los procedimientos de bloqueo / etiquetado. Siempre utilice un dispositivo detector de tensión nominal adecuado para confirmar la desenergización del equipo.

NOTA: Para obtener el espacio adecuado para los fusibles forma II clase C, póngase en contacto con su representante de Schneider Canada.

Sección 5–Funcionamiento

En esta sección se incluye la lista de verificación de pre-funcionamiento y se describen los procedimientos de energización.

Lista de verificación de pre-funcionamiento

Para asegurarse de que funciona correctamente el CCM, verifique lo siguiente antes de energizarlo:

- ❑ Realice todos los procedimientos de servicio de mantenimiento que comienzan en la página 87 hasta “Prueba de aislamiento” en la página 103. Es necesario realizar un servicio de mantenimiento inicial para detectar cualquier daño que pudo haber ocurrido durante su transporte así como cualquier conexión suelta. No energice el CCM sino hasta haber completado el servicio de mantenimiento inicial.

NOTA: No es necesario realizar los siguientes procedimientos de servicio de mantenimiento antes de energizar el CCM por primera vez: ensambles de terminales salientes, contactos de arrancador y barreras/aisladores.

- ❑ Realice una prueba de aislamiento al CCM (consulte “Prueba de aislamiento” en la página 103).
- ❑ Si el CCM está equipado con un dispositivo de protección contra fallas a tierra, ajuste y pruebe correctamente el dispositivo antes de energizarlo.

Figura 84 – Verificación de pre-funcionamiento



- ❑ Retire los bloques y demás material de sujeción temporal de los dispositivos eléctricos.
- ❑ Retire cualquier barra de derivación secundaria de los transformadores de corriente. No haga funcionar un transformador de corriente con el circuito secundario abierto.
- ❑ Manualmente, pruebe todos los desconectadores, interruptores automáticos y demás mecanismos de funcionamiento; asegúrese de que estén bien alineados y que no haya obstrucciones que impidan su funcionamiento.
- ❑ Eléctricamente, pruebe todos los desconectadores, interruptores automáticos y demás mecanismos de funcionamiento eléctrico (que no estén bajo carga);

asegúrese de que funcionen correctamente. Es posible que se necesite una fuente auxiliar de alimentación de control.

- ❑ Verifique el intervalo y funcionamiento correcto de los contactos de los temporizadores.
- ❑ Asegúrese de que los elementos térmicos hayan sido correctamente instalados, verificando las tablas de selección de los elementos térmicos con la corriente a plena carga del motor. Los relevadores de sobrecarga Motor Logic, TeSys™ T e IEC (si fueron provistos) no requieren elementos térmicos; sin embargo, éstos vienen de fábrica en su ajuste más bajo.
- ❑ Verifique que todas las conexiones de carga y control remoto se hayan realizado y que coincidan con los diagramas de alambrado provistos.
- ❑ Asegúrese de que las conexiones a tierra se hayan realizado correctamente.
- ❑ Instale las cubiertas y cierre todas las puertas; asegúrese de que todos los sujetadores estén bien apretados; asegúrese de que todos los enclavamientos del mecanismo funcionen.

Para las aplicaciones con clasificación de contención de arco:

- ❑ Verifique que las provisiones de levantamiento hayan sido retiradas de todas las secciones en la agrupación.
- ❑ Verifique que el ensamble de placa superior correcto haya sido instalado de acuerdo con las instrucciones provistas.
- ❑ Verifique que los ajustes del dispositivo de protección contra sobrecorriente (DPCS) cumplan con los requisitos descritos en este documento antes de energizar.
- ❑ Verifique que se cumpla con el espacio necesario libre de obstrucciones por encima y alrededor del equipo según los requisitos descritos en este documento.

Para la alimentación eléctrica del ArcBlok:

- ❑ Verifique que todos los cables de alimentación entrantes estén correctamente instalados y asegurados:
 - La sujeción de cables se ha completado según las instrucciones que comienzan en la página 68.
 - El amortiguador y dos resortes del panel trasero de la cámara de cables están instalados y funcionan correctamente.
 - Las placas de cierre están instaladas con tubo conduit.
 - El espacio que queda entre los conductores y el tubo conduit está sellado con masilla para sellar conductos.
- ❑ Verifique que todas las cubiertas de la cámara de cables hayan sido reemplazadas y aseguradas correctamente.

Energización del CCM

⚠ PELIGRO

PELIGRO DE DESCARGA ELÉCTRICA, EXPLOSIÓN O DESTELLO POR ARQUEO

- Utilice equipo de protección personal (EPP) apropiado y siga las prácticas de seguridad en trabajos eléctricos establecidas por su Compañía, consulte la norma 70E de NFPA o Z462 de CSA y NOM-029-STPS.
- Solamente el personal eléctrico especializado deberá instalar y prestar servicio de mantenimiento a este equipo.
- Desenergice el equipo antes de realizar cualquier trabajo en él.
- Siempre utilice un dispositivo detector de tensión nominal adecuado para confirmar la desenergización del equipo.
- Vuelva a colocar todos los dispositivos, las puertas y las cubiertas antes de energizar este equipo.
- Repase la “Lista de verificación de pre-funcionamiento” en la página 84; asegúrese de haber verificados todos los elementos de la lista.

El incumplimiento de estas instrucciones podrá causar la muerte o lesiones serias.

Para energizar el CCM:

1. Repase la “Lista de verificación de pre-funcionamiento” en la página 84 antes de energizar.
2. Desconecte todas las cargas de corriente descendente, inclusive el equipo de distribución y demás dispositivos que se encuentren a distancia del CCM.
3. Verifique que todas las barreras, cubiertas y puertas estén cerradas antes de energizar el equipo.
4. Energice el equipo en secuencia, comenzando con los dispositivos principales, los dispositivos alimentadores y luego los arrancadores de motores.
5. Con todas las barreras en su lugar y todas las puertas de la unidad cerradas y bloqueadas, conecte los dispositivos con un movimiento positivo y firme.
6. Una vez que todos los dispositivos de desconexión estén cerrados, las cargas tales como los circuitos de alumbrado, arrancadores, contactores, calefactores y motores pueden ser energizadas.

Sección 6—Servicio de mantenimiento del CCM

Antes de energizar cualquier equipo nuevo del CCM, realice el servicio de mantenimiento descrito en esta sección. Realice servicios de mantenimiento regularmente, por lo menos una vez al año, o más frecuentemente si así lo indican las condiciones de servicio y los procedimientos de mantenimiento establecidos. También realice servicios de mantenimiento después de haberse producido una interrupción del servicio, falla eléctrica o un evento poco común.

Inspección del gabinete

Realice una inspección al interior y exterior del CCM para determinar si hay humedad, aceite o cualquier otro material ajeno. Deseche el material ajeno y limpie el CCM.

Con una aspiradora, limpie el interior y el exterior del CCM. No use aire comprimido ya que esto redistribuirá los contaminantes a otras superficies. Revise el gabinete para ver si encuentra daños que puedan reducir el espacio libre para las conexiones eléctricas.

Inspeccione el acabado del gabinete. Si es necesario, retoque la pintura. Sustituya las piezas del gabinete que estén dañadas o muy corroídas.

Servicio de mantenimiento de las barras y compartimientos de la línea entrante

⚠ PELIGRO

PELIGRO DE DESCARGA ELÉCTRICA, EXPLOSIÓN O DESTELLO POR ARQUEO

- Utilice equipo de protección personal (EPP) apropiado y siga las prácticas de seguridad en trabajos eléctricos establecidas por su Compañía, consulte la norma 70E de NFPA o Z462 de CSA y NOM-029-STPS.
- Solamente el personal eléctrico especializado deberá instalar y prestar servicio de mantenimiento a este equipo.
- Desenergice el equipo antes de realizar cualquier trabajo en él.
- Siempre utilice un dispositivo detector de tensión nominal adecuado para confirmar la desenergización del equipo.
- Vuelva a colocar todos los dispositivos, las puertas y las cubiertas antes de energizar este equipo.

El incumplimiento de estas instrucciones podrá causar la muerte o lesiones serias.

NOTA: Si se utiliza un probador de ausencia de tensión (AVT) VeriSafe™ de 3 pulgadas para confirmar la desenergización, consulte el diagrama unifilar del CCM para determinar qué partes del sistema de barras del CCM está monitoreando el AVT. El lado de línea del interruptor automático conectado a la red eléctrica que suministra energía a la formación del equipo del CCM u otras partes del sistema de barras del CCM aún podría estar energizado.

AVISO

PELIGRO DE DAÑO AL EQUIPO

- Nunca cepille ni use papel de lija en la barra; esto removerá el revestimiento y causará oxidación. Utilice un líquido de limpieza aprobado para ello. No utilice líquido de limpieza en los aisladores.
- De ningún modo, limpie las barras o conectores que estén dañados. Sustitúyalos con piezas nuevas.

El incumplimiento de estas instrucciones puede causar daño al equipo.

Realice servicios de mantenimiento a las conexiones de las barras y zapatas de línea entrante, por lo menos una vez al año, o más frecuentemente si así lo indican las condiciones de servicio y los procedimientos de mantenimiento establecidos. Realice los siguientes pasos durante la instalación para localizar y apretar cualquier conexión que pudo haberse aflojado durante su transporte y manejo:

1. Desenergice el equipo antes de realizar cualquier trabajo dentro de él y siga los procedimientos de bloqueo / etiquetado. Siempre utilice un dispositivo detector de tensión nominal adecuado para confirmar la desenergización del equipo.
2. Retire las cubiertas de las canalizaciones de cables horizontales superior y inferior en cada sección.
3. Deje al descubierto la barra y las conexiones de la barra retirando la barrera de dos piezas en cada sección.
4. Inspeccione todas las barras y conectores. Sustituya cualquier pieza descolorida, corroída o picada. También sustituya las piezas sometidas a temperaturas excesivas.
5. Verifique que todos los tornillos en los puntos de conexión de las barras, indicados por un hexágono en la figura 85 en la página 89, estén en su lugar y bien apretados. Aunque la figura 85 muestra un tipo específico de compartimiento o barra, realice este servicio de mantenimiento a todas las conexiones con tornillos. Consulte la tabla 6 en la página 90 para obtener los valores de par de apriete.
6. El acceso a las conexiones del lado de carga para las secciones principales del ArcBlok con alimentación en la parte superior estarán restringidas por la cámara de cables, por lo que un panel de acceso en la cámara de cables brinda acceso a las conexiones de la barra de fase B. Las conexiones de las barras para las fases A y C están ubicadas en los bordes externos de la cámara de cables. (Vea la figura 86 en la página 89.)

Figura 85 – Típicos puntos de conexión de las barras

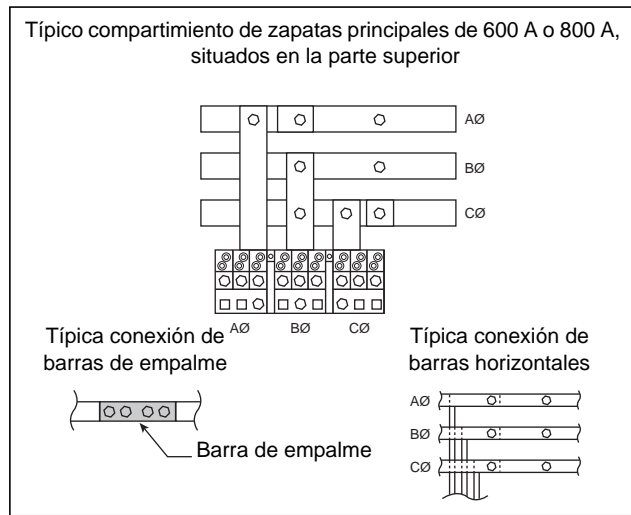


Figura 86 – Puntos típicos de conexiones de las barras—Acceso principal al ArcBlok con alimentación en la parte superior

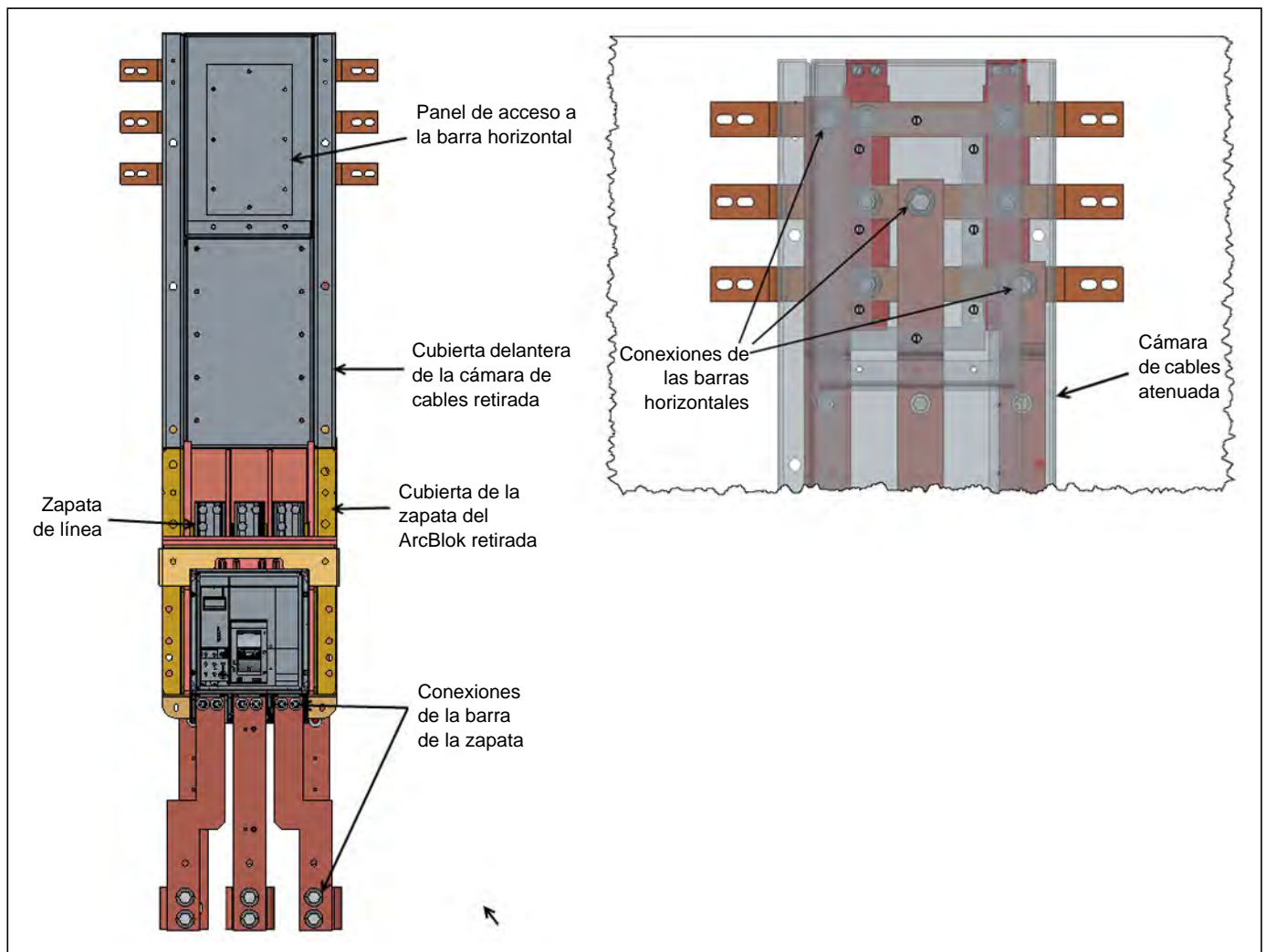


Figura 87 – Compartimiento de zapatas principales (par de apriete de las conexiones)



Tabla 6 – Valores de par de apriete para las conexiones de las barras

Ubicación de las conexiones con tornillos	Gama de par de apriete
Barra horizontal (todas las ubicaciones)	92,2-94,9 N•m (68–70 lbs-pie)
Barra de tierra horizontal (todas las ubicaciones)	6,8-8,13 N•m (5–6 lbs-pie)
Barras de empalme – tornillos de 0,375 pulg (9,5 mm) de diámetro	42-43,39 N•m (31–32 lbs-pie)
Barras de empalme – tornillos de 0,5 pulg (12,7 mm) de diámetro	92,2-94,9 N•m (68–70 lbs-pie)

7. Verifique que todos los tornillos de fijación de las zapatas principales, interruptor automático o interruptor fusible, que sostienen los conductores entrantes en las zapatas principales (figura 87), estén en su lugar y correctamente apretados. Utilice una llave de apriete prefijado y una broca Allen de 3/8 para apretar los tornillos de fijación de las zapatas en los valores apropiados (consulte “Valores de par de apriete para la conexión de los cables” en la página 82).
8. Inspeccione todos los aisladores, soportes de refuerzo y barreras; sustituya aquellos que muestren daño a causa de arqueo, descarga superficial, calor excesivo o grietas.

Servicio de mantenimiento de las unidades de control

⚠ PELIGRO

PELIGRO DE DESCARGA ELÉCTRICA, EXPLOSIÓN O DESTELLO POR ARQUEO

- Utilice equipo de protección personal (EPP) apropiado y siga las prácticas de seguridad en trabajos eléctricos establecidas por su Compañía, consulte la norma 70E de NFPA o Z462 de CSA y NOM-029-STPS.
- Solamente el personal eléctrico especializado deberá instalar y prestar servicio de mantenimiento a este equipo.
- Desenergice el equipo antes de realizar cualquier trabajo en él.
- Siempre utilice un dispositivo detector de tensión nominal adecuado para confirmar la desenergización del equipo.
- Vuelva a colocar todos los dispositivos, las puertas y las cubiertas antes de energizar este equipo.

El incumplimiento de estas instrucciones podrá causar la muerte o lesiones serias.

NOTA: Si se utiliza un probador de ausencia de tensión (AVT) VeriSafe™ de 3 pulgadas para confirmar la desenergización, consulte el diagrama unifilar del CCM para determinar qué partes del sistema de barras del CCM está monitoreando el AVT. El lado de línea del interruptor automático conectado a la red eléctrica que suministra energía a la formación del equipo del CCM u otras partes del sistema de barras del CCM aún podría estar energizado.

Realice servicios de mantenimiento a las unidades de control, por lo menos una vez al año, o más frecuentemente si así lo indican las condiciones de servicio y los procedimientos de mantenimiento establecidos. Durante la instalación, localice y apriete las conexiones que se hayan aflojado durante el envío y manejo, siguiendo estos procedimientos. Si la unidad de control (figura 88) se está retirando del CCM para realizarle servicio de mantenimiento, comience en “Desmontaje de las unidades de control” en la página 91. Si se realiza el servicio de mantenimiento con la unidad de control instalada, comience en “Interruptor automático o interruptor desconectador” en la página 99.

Figura 88 – Unidad de control



Desmontaje de las unidades de control

⚠ PELIGRO

PELIGRO DE DESCARGA ELÉCTRICA, EXPLOSIÓN O DESTELLO POR ARQUEO

- Utilice equipo de protección personal (EPP) apropiado y siga las prácticas de seguridad en trabajos eléctricos establecidas por su Compañía, consulte la norma 70E de NFPA o Z462 de CSA y NOM-029-STPS.
- Solamente el personal eléctrico especializado deberá instalar y prestar servicio de mantenimiento a este equipo.
- Desenergice el equipo antes de realizar cualquier trabajo en él.
- Siempre utilice un dispositivo detector de tensión nominal adecuado para confirmar la desenergización del equipo.
- No intente retirar la unidad de control de la estructura con el desconectador en la posición de cerrado (I/ON).
- La unidad de control está enclavada con la estructura del CCM para evitar extraer la unidad mientras el desconectador está en la posición de cerrado (I/ON). No intente invalidar la función del enclavamiento entre el mecanismo y la estructura.
- Vuelva a colocar todos los dispositivos, las puertas y las cubiertas antes de energizar este equipo.

El incumplimiento de estas instrucciones podrá causar la muerte o lesiones serias.

El CCM modelo 6 ha sido diseñado para retirar y sustituir fácil y rápidamente la unidad de control. Siga estos pasos para retirar las unidades de control:

1. Desenergice el equipo antes de realizar cualquier trabajo dentro de él y siga los procedimientos de bloqueo / etiquetado. Siempre utilice un dispositivo detector de tensión nominal adecuado para confirmar la desenergización del equipo.

NOTA: Si se utiliza un probador de ausencia de tensión (AVT) VeriSafe™ de 3 pulgadas para confirmar la desenergización, consulte el diagrama unifilar del CCM para determinar qué partes del sistema de barras del CCM está monitoreando el AVT. El lado de línea del interruptor automático conectado a la red eléctrica que suministra energía a la formación del equipo del CCM u otras partes del sistema de barras del CCM aún podría estar energizado.

2. Mueva el mecanismo de funcionamiento a la posición de abierto (O/OFF) (figura 89).

Figura 89 – Mecanismo de funcionamiento en la posición de abierto (O/OFF)

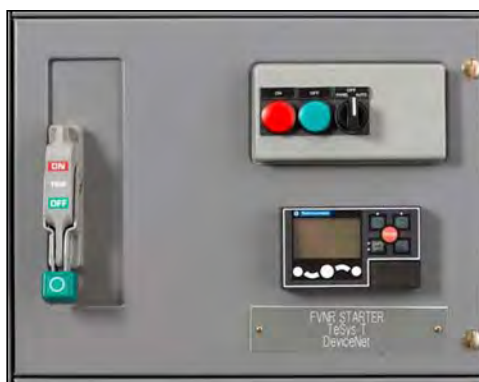


Figura 90 – Aflojando los sujetadores cautivos



3. Afloje los sujetadores cautivos (figura 90) situados en la puerta y ábrala. Utilice un voltímetro de valor nominal apropiado para verificar si están vivos los circuitos. Desenergice todas las fuentes de tensión.

NOTA: Las unidades con contención de arco tienen sujetadores adicionales en las partes intermedias superior e inferior de la puerta que se deben aflojar para abrirla (vea la figura 91).

Figura 91 – Seguros de puerta del CCM con contención de arco



4. Libere el dispositivo de bloqueo situado al frente en la parte inferior de la unidad (si fue provisto) girando el tornillo en el frente del dispositivo hasta que el trinquete de sujeción esté en paralelo con la parte inferior de la unidad (figura 92).
5. Desconecte los cables de alimentación de las terminales del arrancador o, si fueron provistos, los bloques de terminales de alimentación. Marque las terminaciones para evitar confusión durante la re-instalación (figura 93).

Retire la parte superior desprendible de los bloques de terminales de control que están conectados a los cables de campo.

Figura 92 – Liberación del dispositivo de bloqueo (si fue provisto)



Figura 93 – Bloques de terminales desconectados

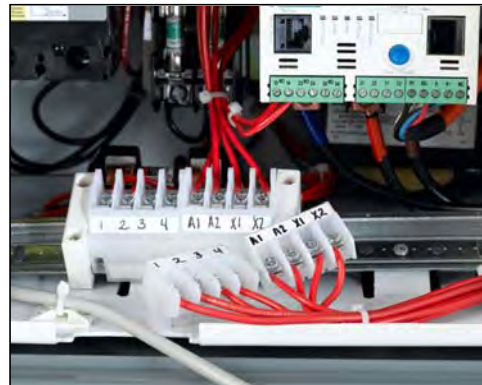


Figura 94 – Conductores de alimentación y parte superior de los bloques de terminales pasados por los agujeros para cables



6. Pase los conductores de alimentación y la parte superior de los bloques de terminales desprendibles por el agujero para cables y colóquelos en la canalización de cables vertical (figura 94).
7. Jale el mecanismo de levas con palancas gemelas situado al frente, en la parte superior de la unidad, para extraer parcialmente la unidad de la estructura (figura 95). Esta acción desconecta las lengüetas de alimentación de la barra vertical. Continúe jalando hasta que las palancas estén completamente afuera.

Figura 95 – Extracción del mecanismo de levas con palancas gemelas



Figura 96 – Funcionamiento del enclavamiento del mecanismo a la estructura



8. El enclavamiento del mecanismo de funcionamiento a la estructura evita que se extraiga o que inserte la unidad de control con la palanca en la posición de cerrado (I/ON) (figura 96).
9. Si se deja la unidad extraída en la estructura, realice los procedimientos de bloqueo apropiados para evitar que personal no autorizado vuelva a cargar la unidad (figura 97).

Figura 97 – Dispositivo bloqueado



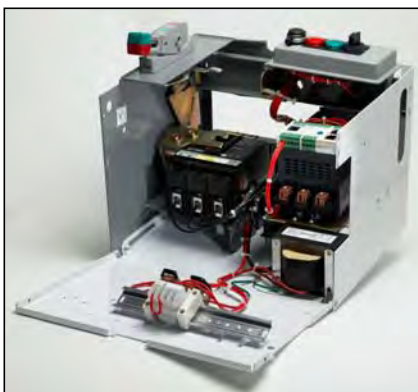
Figura 98 – Unidad de control extraída



10. Retire la unidad de control de la estructura para realizarle servicio (figura 98). En las unidades que contienen una placa inferior entera, es posible obtener acceso adicional a los componentes y cables plegando la placa inferior hacia abajo. Para eso, apoye la unidad sobre su parte trasera, retire los dos tornillos del frente y pliegue la placa inferior hacia abajo (figura 99).

NOTA: Al levantar las unidades enchufables más grandes que 610 mm (24 pulg) será necesario que dos o más personas las levanten prestando particular atención a las precauciones de manejo especiales. Si se utilizan dispositivos de levantamiento, consulte la figura 6 en la página 23 para conocer los puntos de levantamiento correctos. La figura 6 muestra también un punto de levantamiento que NO se recomienda para levantar unidades más grandes.

Figura 99 – Unidad de control con la placa inferior de la plegada hacia abajo



11. Si es necesario, es posible desmontar la puerta por las bisagras sin tener que retirar la unidad. Para eso, saque los pasadores de los collares de las bisagras utilizando un desatornillador pequeño de punta plana o un botador pequeño (figura 100). Primero, retire el pasador de la bisagra inferior.

Alternativamente, en lugar de retirar los pasadores de la bisagra, es posible extraer los tornillos de montaje de la bisagra de la estructura a través de los agujeros de acceso provistos.

Figura 100 –Extracción del pasador de la bisagra



12. Al volver a instalar el pasador de la bisagra, asegúrese de que el extremo enganchador esté completamente enganchado en el collar de la bisagra.

ESPAÑOL

Desmontaje de la unidad de control Compac™ 6

⚠ PELIGRO

PELIGRO DE DESCARGA ELÉCTRICA, EXPLOSIÓN O DESTELLO POR ARQUEO

- Utilice equipo de protección personal (EPP) apropiado y siga las prácticas de seguridad en trabajos eléctricos establecidas por su Compañía, consulte la norma 70E de NFPA o Z462 de CSA y NOM-029-STPS.
- Solamente el personal eléctrico especializado deberá instalar y prestar servicio de mantenimiento a este equipo.
- Desenergice el equipo antes de realizar cualquier trabajo en él.
- Siempre utilice un dispositivo detector de tensión nominal adecuado para confirmar la desenergización del equipo.
- Vuelva a colocar todos los dispositivos, las puertas y las cubiertas antes de energizar este equipo.

El incumplimiento de estas instrucciones podrá causar la muerte o lesiones serias.

1. Desenergice el equipo antes de realizar cualquier trabajo dentro de él y siga los procedimientos de bloqueo / etiquetado. Siempre utilice un dispositivo detector de tensión nominal adecuado para confirmar la desenergización del equipo.
2. Mueva el mecanismo de funcionamiento a la posición de abierto (O/OFF) (figura 101).

Figura 101 –Palanca del operador en posición de abierto (O/OFF)



3. Afloje los sujetadores cautivos (figura 102) situados en la puerta y ábrala.

NOTA: Las unidades con contención de arco tienen sujetadores adicionales en las partes intermedias superior e inferior de la puerta que se deben aflojar para abrirla (vea la figura 91 en la página 92).

Figura 102 –Aflojamiento de los sujetadores cautivos



4. Con un dispositivo detector de tensión nominal adecuado compruebe el estado de los circuitos vivos. Desenergice todas las fuentes de tensión.

NOTA: Tal vez sea necesario desmontar la placa de la estación de control para realizar los pasos 4 y 5. Para desmontar la placa, siga estos pasos:

- a. Afloje los tornillos de montaje cautivos que sostienen la placa en el frente de la unidad.
- b. Retire la placa de la unidad (figura 103).
- c. Vuelva a instalar la placa después de desconectar los cables de carga y el bloque de terminales de control.

No desconecte los cables en la placa de la estación de control.

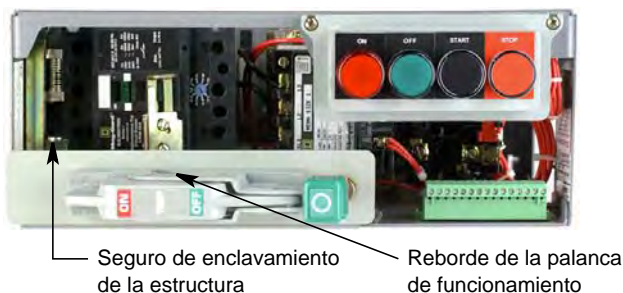
Figura 103 –Placa de la estación de control desmontada



5. Desconecte los cables de alimentación de las terminales del arrancador. Marque las terminaciones para evitar confusión durante la re-instalación.
6. Retire la parte superior desprendible del bloque de terminales de control que está conectado a los cables de campo.

7. Pase los conductores de alimentación y la parte superior desprendible del bloque de terminales de control por el agujero para cables y colóquelos en la canalización de cables vertical.
8. Sujete el reborde de la palanca de funcionamiento y presione sobre el seguro de enclavamiento de la estructura (figura 104).

Figura 104 –Palanca de funcionamiento y seguro de enclavamiento



9. Jale firmemente la unidad para desenganchar las lengüetas de alimentación de las barras verticales. Ahora la unidad deberá deslizarse libremente por la estructura del CCM.
10. El enclavamiento del mecanismo de funcionamiento a la estructura evita que se inserte o extraiga la unidad de control con la palanca en la posición de cerrado (I/ON).
11. Si se deja la unidad extraída en la estructura, realice los procedimientos de bloqueo/etiquetado apropiados para evitar que personal no autorizado vuelva a cargar la unidad.
12. Retire la unidad de control de la estructura y colóquela en una superficie plana para realizarle servicio.

NOTA: Tal vez sea necesario desmontar parcialmente la unidad para obtener acceso a varias de las conexiones eléctricas para realizarle servicio.

Pruebas y servicio de mantenimiento con la unidad de control desmontada

AVISO

PELIGRO DE DAÑO AL EQUIPO

- No retire el lubricante protector de las lengüetas.
- Si necesita lubricante adicional, solicite el compuesto para juntas eléctricas (no. PJC-7201 de Schneider Electric).

El incumplimiento de estas instrucciones puede causar daño al equipo.

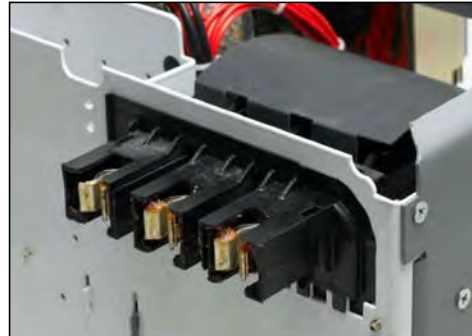
Una vez que haya desmontado la unidad, realice las siguientes pruebas y servicio de mantenimiento:

Ensamblajes de lengüetas—Inspeccione el ensamble de lengüetas (figura 105) para ver si encuentra señas de arqueado o sobrecalentamiento. **Si se ha producido sobrecalentamiento, de inmediato sustituya el ensamble de desconexión (interruptores automáticos tipo FA/KA) o el ensamble del conector de mordaza (interruptores automáticos marco B, H, J o L).** Para obtener información sobre los ensambles de desconexión de repuesto, consulte “Sección 13—Sustitución del

interruptor automático e interruptor fusible” que comienza en la página 162.

NOTA: Si el ensamble de lengüetas está muy picado, también será necesario sustituir la barra vertical.

Figura 105 –Ensamble de lengüetas



Interruptor automático o interruptor desconector—Verifique el funcionamiento correcto del interruptor automático o del interruptor desconector. Inspeccione las cuchillas del desconector, si hay evidencia de arqueo o calor excesivo, sustituya el ensamble de desconector. Pruebe el botón de disparo del interruptor automático.

Figura 106 –Mecanismo de funcionamiento en la posición de disparado

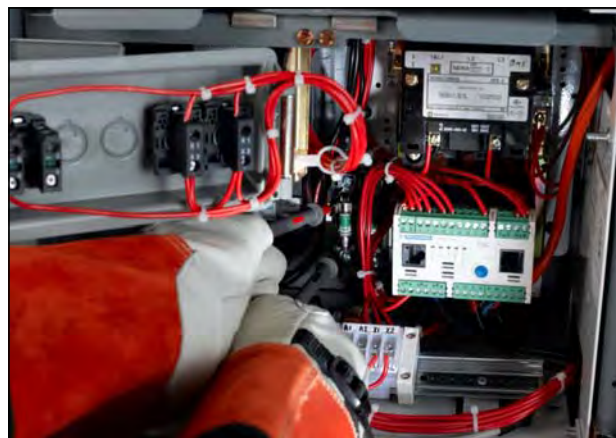


Mecanismo de funcionamiento—Verifique que el mecanismo de funcionamiento funcione correctamente (figura 106). Pruebe el funcionamiento correcto de las posiciones de *cerrado*, *disparado*, *abierto* y *restablecimiento* para los interruptores automáticos marcos F, K y L-; o bien, las posiciones *cerrado*, *disparado* y *abierto* para los interruptores automáticos marcos B, H, J, M, o P. Verifique el funcionamiento correcto del bloqueo de la puerta.

NOTA: Los mecanismos de funcionamiento del interruptor fusible no tienen posiciones de “disparo” o “restablecimiento”.

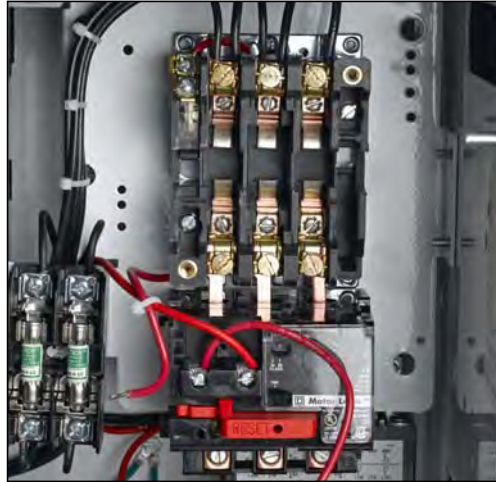
Fusibles—Inspeccione todos los fusibles y clips para fusibles (figura 107). Sustituya las piezas que muestren signos de sobrecalentamiento o arqueo.

Figura 107 –Inspección de los fusibles



Contactos del arrancador—Revise los contactos del arrancador (figura 108). Sustituya aquéllos que estén muy desgastados o picados (consulte el boletín de instrucciones del contactor incluido con el envío original).

Figura 108 –Contactos del arrancador



Dispositivos de control—Revise los arrancadores, relevadores, temporizadores y demás dispositivos de control y asegúrese de que funcionen correctamente (figura 109).

Figura 109 –Dispositivos de control



Relevadores de sobrecarga—Manualmente, dispare el relevador de sobrecarga y asegúrese de que funcione correctamente (figura 110). Asegúrese de que los elementos térmicos sean del tamaño apropiado para la aplicación. Consulte las tablas de selección de los elementos térmicos que se encuentran en el interior de las puertas de la canalización de cables vertical.

Figura 110 –Disparo del relevador de sobrecarga



Alambrado y conexiones eléctricas—Verifique que todas las conexiones eléctricas se hayan realizado correctamente; apriételas si es necesario (figura 111). Para las conexiones eléctricas que se encuentran inaccesibles, póngase en contacto con Schneider Electric Services. También inspeccione todos los cables de alimentación y control; sustituya los cables con aislamiento desgastado o que muestren signos de sobrecalentamiento o grietas.

Figura 111 –Apriete de las conexiones eléctricas



Enclavamiento del arrancador—Revise los enclavamientos mecánicos de los arrancadores reversibles, de múltiples velocidades o a tensión reducida.

Barreras/aisladores—Inspeccione todos los aisladores, soportes de refuerzo y barreras (figura 112); sustituya aquéllos que muestren daño a causa de arqueo, descarga superficial, calor excesivo o grietas.

Figura 112 –Persianas manuales y automáticas de la barra



Persiana manual de la barra



Persiana automática de la barra

Unidades especiales—Siga los procedimientos de servicio de mantenimiento recomendados por el fabricante para las unidades especiales (por ejemplo: variadores de velocidad, unidades de arranque suave e interruptores de transferencia automática).

Montaje

Para volver a montar el CCM después de realizar las pruebas y servicio de mantenimiento, siga estos pasos:

1. Vuelva a instalar las unidades Compac 6 invirtiendo los pasos de desmontaje 1 a 12 en “Desmontaje de la unidad de control Compac™ 6” en la página 96. Vuelva a instalar las demás unidades invirtiendo los pasos de desmontaje 1 a 12 en “Desmontaje de las unidades de control” en la página 91.
2. Cerciórese de que el mecanismo de leva esté en la posición de abierto; coloque las deslizaderas de montaje de la unidad de control sobre las ranuras de los entrepaños intermedios. Deslice la unidad hacia el interior para enganchar el mecanismo de leva.

En las unidades Compac 6, coloque las deslizaderas de montaje de la unidad de control sobre las ranuras de los entrepaños intermedios. Deslice la unidad hacia el interior hasta que quede a la mitad, luego desplácela hacia el interior dándole un empujón rápido. Este movimiento facilita la compresión de las lengüetas a medida que enganchan la barra vertical.

3. Vuelva a colocar todas las cubiertas y barreras; cierre y ponga seguro a todas las puertas.

Prueba de aislamiento

⚠ PELIGRO

PELIGRO DE DESCARGA ELÉCTRICA, EXPLOSIÓN O DESTELLO POR ARQUEO

- Utilice equipo de protección personal (EPP) apropiado y siga las prácticas de seguridad en trabajos eléctricos establecidas por su Compañía, consulte la norma 70E de NFPA o Z462 de CSA y NOM-029-STPS.
- Solamente el personal eléctrico especializado deberá instalar y prestar servicio de mantenimiento a este equipo.
- Desenergice el equipo antes de realizar cualquier trabajo en él.
- Siempre utilice un dispositivo detector de tensión nominal adecuado para confirmar la desenergización del equipo.
- Vuelva a colocar todos los dispositivos, las puertas y las cubiertas antes de energizar este equipo.

El incumplimiento de estas instrucciones podrá causar la muerte o lesiones serias.

AVISO

PELIGRO DE DAÑO AL EQUIPO

- No emplee un megóhmetro en:
 - variadores de velocidad
 - arrancadores suaves de estado sólido
 - dispositivo de protección contra sobretensiones transitorias (SPD)
 - unidades de filtro de armónicos activo AccuSine™
 - Medidores de estado sólido PowerLogic™
 - unidades de capacitores
 - cualquier dispositivo que no haya sido diseñado para soportar las tensiones de un megóhmetro.
- Desconecte todos los dispositivos de estado sólido, por ejemplo, los SPD, variadores, arrancadores suaves, capacitores, filtros y monitores de circuitos antes de realizar pruebas con un megóhmetro en el CCM.

El incumplimiento de estas instrucciones puede causar daño al equipo.

Antes de volver a energizar un CCM (después de su instalación o servicio de mantenimiento regular), tome mediciones de resistencia. Use un probador de aislamiento (megóhmetro) con un potencial de 500 a 1 000 V.

Tome lecturas entre cada fase y de cada fase a tierra, con los dispositivos de desconexión derivados en posición de *abierto (O/OFF)* y *cerrado (I/ON)*. Asegúrese de que el dispositivo de desconexión principal esté en la posición de *abierto (O/OFF)* durante todas las pruebas de aislamiento.

Las lecturas de un megóhmetro con todos los dispositivos de desconexión en posición de *abierto (O/OFF)* serán típicamente de 5 a 20 megohms. Es posible que en un equipo nuevo, que ha estado almacenado en un área húmeda, las lecturas sean inferiores durante el arranque. Si las lecturas son inferiores a un megaohm, es posible que unas cuantas unidades derivadas sean energizadas para secar el

CCM. Si las lecturas adicionales son mayores que un megaohm, las unidades adicionales pueden ser energizadas. Una vez que el equipo ha estado en funcionamiento durante 48 horas, las lecturas serán entre 5 y 20 megaohms.

Cuando las lecturas del megóhmetro se toman con el dispositivo de desconexión en la posición de *cerrado (I/O)* (con excepción del principal), desconecte todos los dispositivos que completan los circuitos entre las fases o entre las fases y el neutro (*por ej.*, los transformadores de control). Aunque las lecturas pueden ser un poco diferentes, observe el límite inferior de un megaohm durante el arranque.

Anote todas las lecturas del megóhmetro en el cuadro de resistencia de aislamiento en la página 155. Cualquier cambio repentino en los valores de resistencia (aun dentro de la gama aceptable) puede indicar una falla potencial del aislamiento. La detección prematura y el repuesto de los componentes de aislamiento defectuosos ayuda a evitar daño al equipo.

Si las lecturas del megóhmetro son inferiores a 5 megaohms (un megohm durante el arranque) póngase en contacto con su representante local de ventas de Schneider Electric.

Vuelva a energizar el equipo en secuencia, comenzando con los dispositivos principales, los dispositivos alimentadores y luego los dispositivos del arrancador de motores (consulte "Energización del CCM" en la página 86).

Servicio de mantenimiento después de haberse producido una falla

PELIGRO

PELIGRO DE DESCARGA ELÉCTRICA, EXPLOSIÓN O DESTELLO POR ARQUEO

- Utilice equipo de protección personal (EPP) apropiado y siga las prácticas de seguridad en trabajos eléctricos establecidas por su Compañía, consulte la norma 70E de NFPA o Z462 de CSA y NOM-029-STPS.
- Solamente el personal eléctrico especializado deberá instalar y prestar servicio de mantenimiento a este equipo.
- Desenergice el equipo antes de realizar cualquier trabajo en él.
- Siempre utilice un dispositivo detector de tensión nominal adecuado para confirmar la desenergización del equipo.
- Vuelva a colocar todos los dispositivos, las puertas y las cubiertas antes de energizar este equipo.

El incumplimiento de estas instrucciones podrá causar la muerte o lesiones serias.

NOTA: Después de que ha ocurrido una falla, los CCM con contención de arco deben ser inspeccionados, reparados y re-calificados por personal de Schneider Electric Services para mantener la clasificación de contención de arco.

Las corrientes excesivas que se producen durante una falla pueden causar daño a la estructura, componentes, barras o conductores. Este daño es producido por distorsión mecánica, daño térmico, depósitos de metal o humo de las corrientes de falla. Después de que ha ocurrido una falla, localice y corrijala. Inspeccione el equipo y realice todas las reparaciones o sustituciones necesarias antes de volver a poner el equipo en servicio. Asegúrese de que todas las piezas de repuesto sean

adecuadas para la aplicación. Si tiene dudas, póngase en contacto con su representante local de ventas de Schneider Electric.

Después de haberse producido una falla, realice los procedimientos de servicio de mantenimiento detallados en la página 87 y que continúan hasta “Prueba de aislamiento” en la página 103. También realice los siguientes procedimientos después de una falla:

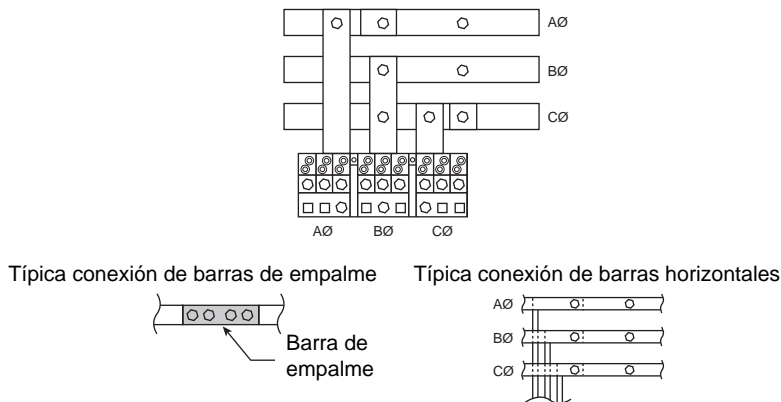
1. Si la falla se produjo en la corriente descendente del CCM, realice el servicio de mantenimiento apropiado en todo el equipo involucrado.
2. Inspeccione el gabinete. Por lo general, evidencia de daño en el exterior del gabinete es una indicación de daño en su interior. Si se ha producido daño extenso será necesario sustituir algunas de las piezas del gabinete y el equipo dentro de él.
3. Sustituya las piezas que estén dañadas o deformadas. Preste atención especial a las bisagras de las puertas así como a los herrajes de cierre. Inspeccione el área alrededor de las unidades dañadas (tanto adentro como afuera) para localizar cualquier pieza que haya sido desajustada. Consulte “Inspección del gabinete” en la página 87.
4. Inspeccione los compartimientos de las barras y de la línea entrante; apriete todas las conexiones eléctricas en los valores apropiados. (La tabla 7 y figura 113 muestran los puntos típicos de conexión de las barras y valores de par de apriete). Sustituya las barras o conectores deformados, así como aquéllos que muestren signos de daño por arqueo. Inspeccione todos los aisladores que tengan grietas o marcas de quemaduras; sustituya aquéllos que muestren estas características.

Tabla 7 – Valores de par de apriete de la conexiones de las barras

Ubicación de las conexiones con tornillo	Gama de par de apriete
Barra horizontal (todas las ubicaciones)	92,2-94,9 N•m (68-70 lbs-pie)
Barra de tierra horizontal (todas las ubicaciones)	6,8-8,13 N•m (5-6 lbs-pie)
Barras de empalme – tornillos de 0,375 pulg (9,5 mm) de diámetro	42-43,39 N•m (31-32 lbs-pie)
Barras de empalme – tornillos de 0,5 pulg (12,7 mm) de diámetro	92,2-94,9 N•m (68-70 lbs-pie)

Figura 113 –Típicos puntos de conexión de las barras

Típico compartimiento de zapatas principales de 600 A u 800 A, situado en la parte superior



5. Si la falla se produce entre un dispositivo de protección ascendente y la sección que contiene el dispositivo principal ArcBlok, inspeccione las conexiones del lado de línea dentro del ArcBlok y la cámara de cables con aislamiento del lado de línea. Inspeccione el interior, busque evidencia de algún evento, incluidas marcas de quemaduras y piezas dañadas. Inspeccione las cubiertas delanteras, los sellos superpuestos, los amortiguadores, los resortes y el material de la junta que se encuentra dentro y alrededor de la cámara (Figura 114). Reemplace todas las piezas que estén dañadas o deformadas. Si hay evidencia de daño en los componentes del ArcBlok, como las barreras interfásicas o los conectores de la zapata de fase-línea, póngase en contacto con Schneider Electric Services antes de volver a poner el equipo en servicio.

Figura 114 –Puntos de inspección después de una falla

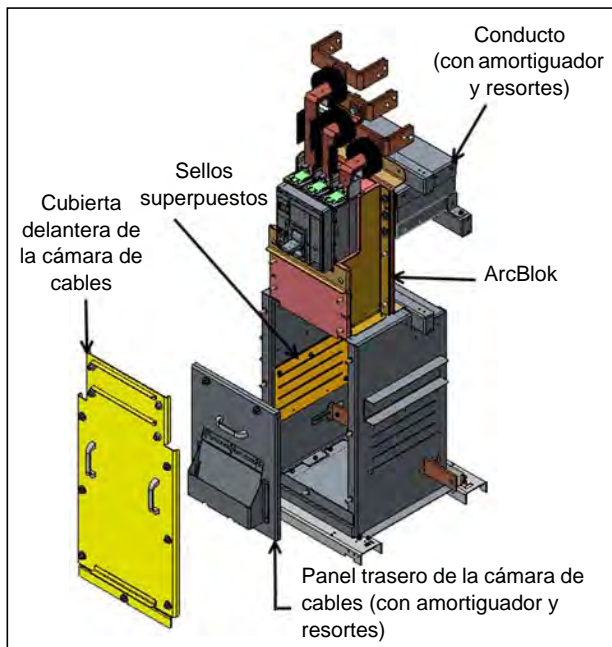


Figura 115 –Funcionamiento del mecanismo de anulación del bloqueo de la puerta



6. Siga los procedimientos de servicio de mantenimiento para las unidades de control. Comience con “Servicio de mantenimiento de las unidades de control” en la página 90, y continúe hasta “Prueba de aislamiento” en la página 103. Realice también los pasos a continuación:
 - a. Examine los dispositivos de desconexión para ver si encuentra evidencia de daños. Asegúrese de que el mecanismo de funcionamiento *abra (O/OFF)* y *cierre (I/ON)* correctamente el dispositivo de desconexión. Pruebe la función del *botón de disparo* del interruptor automático. Asegúrese de que el mecanismo de funcionamiento restablezca correctamente el interruptor automático.
 - b. Cerciórese de que el bloqueo de la puerta no permita la apertura de la puerta de la unidad mientras el dispositivo de desconexión está en la posición de *cerrado (I/ON)*.

NOTA: Si tiene que abrir la puerta de la unidad mientras está energizada la unidad, solamente personal autorizado podrá hacer funcionar el mecanismo de anulación del bloqueo (figura 115).

- c. Realice una inspección visual a los arrancadores de motores para ver si encuentra daños. Sustituya los contactos y los resortes de los contactos si están soldados o muestran daño producido por calor. Si el deterioro no es solamente en los contactos, sustituya todo el contactor o arrancador.
 - d. Sustituya el relevador de sobrecarga completo si los elementos térmicos están quemados, o si éste muestra indicaciones de arqueado o quemaduras.
 - e. Inspeccione todos los fusibles y clips para fusibles. Sustituya todo el juego de fusibles aun cuando sólo uno o dos estén cortocircuitados.
 - f. Revise todos los conductores y demás dispositivos dentro de las unidades para ver si encuentra indicaciones de daño.
7. Realice una prueba de aislamiento (consulte “Prueba de aislamiento” en la página 103) antes de devolver el CCM al servicio.
 8. Complete la “Lista de verificación de pre-funcionamiento” en la página 84.
 9. Vuelva a energizar el equipo, consulte “Energización del CCM” en la página 86.

Sección 7—Relevador de sobrecarga de estado sólido (RSES) Motor Logic™

A continuación se describen las unidades de arrancador del CCM de 600 V nominales equipadas con el relevador de sobrecarga de estado sólido (RSES) Motor Logic. Antes de instalar, ajustar o prestar servicio de mantenimiento a estas unidades, asegúrese de leer y entender las precauciones de seguridad descritas al principio de este boletín. Para obtener detalles completos sobre la instalación del CCM, consulte la “Sección 4—Instalación de los CCM” en la página 24.

Figura 116 –RSES Motor Logic



Figura 117 –Unidad Compac™ 6 clasificada por NEMA



Figura 118 –Unidad estándar clasificada por NEMA



Aplicaciones de modernización Motor Logic

⚠ PELIGRO

PELIGRO DE DESCARGA ELÉCTRICA, EXPLOSIÓN O DESTELLO POR ARQUEO

- Utilice equipo de protección personal (EPP) apropiado y siga las prácticas de seguridad en trabajos eléctricos establecidas por su Compañía, consulte la norma 70E de NFPA o Z462 de CSA y NOM-029-STPS.
- Solamente el personal eléctrico especializado deberá instalar y prestar servicio de mantenimiento a este equipo.
- Desenergice el equipo antes de realizar cualquier trabajo en él.
- Siempre utilice un dispositivo detector de tensión nominal adecuado para confirmar la desenergización del equipo.
- Vuelva a colocar todos los dispositivos, las puertas y las cubiertas antes de energizar este equipo.

El incumplimiento de estas instrucciones podrá causar la muerte o lesiones serias.

AVISO

PELIGRO DE DAÑO AL EQUIPO

- **Accesorios de zapatas:**

Use sólo los accesorios 9999 LBO y 9999 LLO adquiridos después de 1 de mayo de 1995 para las unidades tamaños 0, 00B, 00C y 1.

- **Elemento Z:**

No use los accesorios 9999Z3, 9999Z2 o 9999Z1 desarrollados para los arrancadores abiertos o en gabinete de uso general.

El incumplimiento de estas instrucciones puede causar daño al equipo.

Retire el arrancador de la unidad para sustituir el relevador de sobrecarga (de aleación fusible/bimetálico), consulte “Desmontaje de las unidades de control” en la página 91.

Los bloques de terminales (OEKTTBML) deberán usarse en las aplicaciones que requieren múltiples vueltas para lograr la gama de ajuste apropiada.

Sujete los cables de carga en bucle entre el relevador de sobrecarga y el bloque de terminales con amarres de cables o equivalente cuando se usan accesorios de terminales.

En las unidades de arrancadores tamaños 3 y 4, el botón de restablecimiento del relevador de sobrecarga se encuentra 41 mm (1-5/8 pulg) alejado de la puerta de la unidad y tal vez requiera un ensamble de restablecimiento alternativo (80420-862-51).

No se recomienda modernizar las unidades Compac 6 de 152 mm (6 pulg), clasificadas por NEMA. El relevador de sobrecarga Motor Logic puede ser instalado en la fábrica en las unidades Compac 6.

En las aplicaciones tamaño 1 de 600 V, agregue un tercer amarre de cables entre el interruptor automático y el contactor más cercano a las zapatas de línea.

Consulte el boletín de instrucciones 30072-013-29 para obtener información adicional.

NOTA: Para las aplicaciones de modernización, póngase en contacto con su representante local de ventas de Schneider Electric para obtener asistencia. Schneider Electric no asume responsabilidad alguna por el diseño o implementación de las modernizaciones a no ser que haya sido contratada para realizarlas.

Utilice conductores de cobre solamente en las terminales de alimentación y control del dispositivo. Los conductores deben ser adecuados para 60 °C o 75 °C de acuerdo con el Código eléctrico nacional de EUA (NEC®) y NOM-001-SEDE.

Las terminales de presión de los conductores son adecuadas para cable tamaño 16 a 12 AWG, sencillo o trenzado. Las etiquetas de instrucciones de las terminales se encuentran junto al bloque de terminales o en la puerta del compartimiento de la canalización de cables.

Las zapatas tipo caja (en los bloques de terminales de alimentación de interposición provistos con las unidades seleccionadas) son adecuadas para cable tamaño 14 a 8 AWG, sencillo o trenzado. Las etiquetas de instrucciones de las terminales se encuentran junto al bloque de terminales. La tabla 8 proporciona datos adicionales de terminación.

Tabla 8 – Tipos de zapatas y tamaños de cables

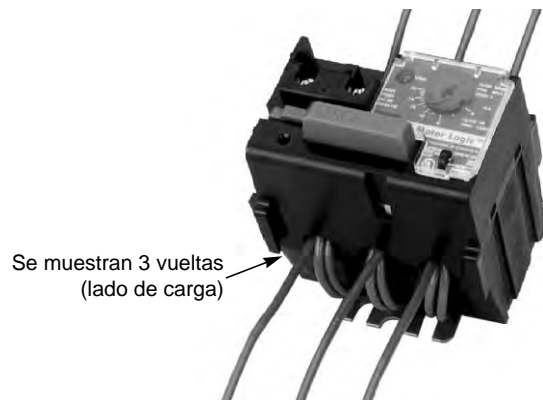
Tamaño del relevador de sobrecarga Motor Logic™ clase 9065 ①	Valor nominal	Tipo de zapata	Tamaño del conductor②	Valores de par de apriete④
00B	1,5–4,5 A	Conductor de presión③	14–8 AWG (2,5–6 mm ²)	2,83 N•m (25 lbs-pulg)
00C	3–9 A	Conductor de presión③	14–8 AWG (2,5–6 mm ²)	2,83 N•m (25 lbs-pulg)
0	6-18 A	Zapata tipo caja	14-4 AWG (2,5–16 mm ²)	5,65 N•m (50 lbs-pulg)
1	9-27 A	Zapata tipo caja	14-4 AWG (2,5–16 mm ²)	5,65 N•m (50 lbs-pulg)
3	30-90 A	Zapata tipo caja	14–1/0 AWG (2,5–50 mm ²)	11,30 N•m (100 lbs-pulg)
4	45–135 A	Zapata tipo caja	8–250 MCM (6–120 mm ²)	22,60N•m (200 lbs-pulg)
5	90–270 A	Zapata tipo caja	250–500 MCM (120–240 mm ²)	28,25 N•m (250 lbs-pulg)
6	180–540 A	Zapata tipo pinza	250–500 MCM (120–240 mm ²)	42,37 N•m (375 lbs-pulg)

① Consulte la etiqueta del relevador de sobrecarga junto al selector de ajuste.

② Conductor de cobre sólido o trenzado, para 60 ó 75 °C, excepto el relevador de sobrecarga de 45 a 135 A, que usa un conductor para 75 °C solamente.

③ Es posible que el accesorio de zapatas tipo caja venga incluido, para calibre 14 a 4 AWG, y par de apriete de 5,65 N•m (50 lbs-pulg).

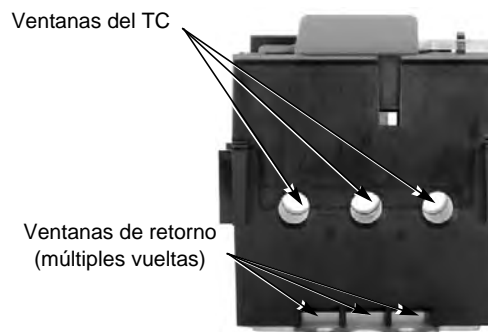
④ No es aplicable para las unidades Compac™ 6.

Figura 119 –Vueltas en bucle

Los relevadores tamaños 00B, 00C, 0 y 1 tiene ventanas para conductores (TC) por las que deben pasar los conductores del motor antes de ser conectados a las terminales de carga del contactor (T1, T2 y T3). Al permitir que los conductores del motor den muchas pasadas (vueltas) por estas ventanas del TC, es posible proteger contra sobrecargas a los motores cuya corriente a plena carga sea inferior a la gama de funcionamiento especificada. Cuando los conductores de carga han dado dos vueltas por cada ventana se aumenta efectivamente la corriente percibida por el relevador de sobrecarga (en múltiplos de dos). Asimismo, tres vueltas aumentarán efectivamente la corriente en múltiplos de tres. Las tres ventanas para conductores deberán tener la misma cantidad de vueltas, bucle en la misma dirección, para que el relevador de sobrecarga funcione adecuadamente (figura 119).

Las vueltas deberán comenzar en el lado de carga del relevador de sobrecarga y pasar por la ventana del TC y regresar por las ventanas provistas entre la placa base y el relevador de sobrecarga (figura 120). La vuelta final termina en el lado de carga del contactor.

Las unidades del CCM que requieren varias vueltas vienen de fábrica con los bucles necesarios y con un conductor tamaño 14 AWG y bloques de terminales de interposición. Consulte "Aplicaciones de modernización Motor Logic" en la página 109 para obtener más información.

Figura 120 –Relevador de sobrecarga Motor Logic (vista desde abajo)

Ajuste

ESPAÑOL

⚠ PELIGRO

PELIGRO DE DESCARGA ELÉCTRICA, EXPLOSIÓN O DESTELLO POR ARQUEO

- Utilice equipo de protección personal (EPP) apropiado y siga las prácticas de seguridad en trabajos eléctricos establecidas por su Compañía, consulte la norma 70E de NFPA o Z462 de CSA y NOM-029-STPS.
- Solamente el personal eléctrico especializado deberá instalar y prestar servicio de mantenimiento a este equipo.
- Desenergice el equipo antes de realizar cualquier trabajo en él.
- Siempre utilice un dispositivo detector de tensión nominal adecuado para confirmar la desenergización del equipo.
- Vuelva a colocar todos los dispositivos, las puertas y las cubiertas antes de energizar este equipo.

El incumplimiento de estas instrucciones podrá causar la muerte o lesiones serias.

Desenergice el equipo antes de realizar cualquier trabajo dentro de él y siga los procedimientos de bloqueo / etiquetado. Siempre utilice un dispositivo detector de tensión nominal adecuado para confirmar la desenergización del equipo.

La información de ajuste del relevador de sobrecarga se encuentra en la etiqueta en el interior de la puerta (figura 121) de las unidades de arrancadores equipadas con relevadores de sobrecarga Motor Logic.

Figura 121 –Etiqueta de ajuste de la unidad

⚠ DANGER

HAZARD OF ELECTRIC SHOCK, BURN OR EXPLOSION

- Turn off power supplying equipment before working inside.
- For fusible switch starter units, power fuses must be selected in accordance with Article 430 of the NEC. Class RK5 fuses are recommended for NEMA rated applications.
- Use only Class J fuses for Compac™ 6 units.

Failure to follow these instructions will result in death, serious injury or equipment damage.

OPERATING INSTRUCTIONS:
For continuous-rated motors with service factors of 1.0, multiply the motor full-load current (MFLC) by the number of passes through the overload relay's windows (1,2 or 3) and set the overload relay's current adjustment dial to 90% of this value. For continuous-rated motors with service factors of 1.15 to 1.25, multiply the MFLC by the number of passes through the overload relay's windows (1,2 or 3) and set the overload current adjustment dial to this value.

SOLID - STATE OVERLOAD RELAY

CURRENT RANGE:

SIZE 00B	1.5 - 4.5A	0.75 - 2.25A (2 PASSES)	0.5 - 1.5A (3 PASSES)
SIZE 00C	3 - 9A	1.5 - 4.5A (2 PASSES)	1 - 3A (3 PASSES)
SIZE 0	6 - 18A	3 - 9A (2 PASSES)	2 - 6A (3 PASSES)
SIZE 1	9 - 27A	4.5 -13.5A (2 PASSES)	3 - 9A (3 PASSES)
SIZE 2	15 - 45A	MULTIPLE PASSES NOT AVAILABLE	
SIZE 3	30 - 90A	MULTIPLE PASSES NOT AVAILABLE	
SIZE 4	45 - 135A	MULTIPLE PASSES NOT AVAILABLE	

* Passes refer to multiple looping through overload windows.

Trip current rating is 1.25 times the overload relay's current adjustment dial setting. Instructions above assume the motor is applied at its rated ambient temperature. For other conditions, consult the motor manufacturers for current capacity. NOTE: For part winding and multi-speed applications, use the MFLC of each motor winding as a basis for overload adjustment. Trip and alarm contact ratings: NEMA A600 and NEMA P300.

80438-651-01 REV G

Sección 8—Ajustes de los protectores de circuitos de motor Mag-Gard™, PowerPact™ y TeSys™

El Código nacional eléctrico de EUA (NEC®) y NOM-001-SEDE requieren que los arrancadores magnéticos, que se utilizan en combinación con interruptores automáticos con disparo magnético ajustable solamente tienen un relevador de sobrecarga en cada conductor. Los protectores de circuitos de motor Mag-Gard o PowerPact son los sistemas de protección estándar utilizados en los CCM modelo 6.

Ajuste de disparo magnético de los protectores de circuitos de motor Mag-Gard, PowerPact o TeSys

El ajuste de disparo magnético viene de fábrica en su valor más bajo en los protectores de circuitos de motor Mag-Gard. En los protectores de circuitos de motor PowerPact marcos H y J, y TeSys marco B, el ajuste de la corriente a plena carga (CPC) viene de fábrica en su valor más bajo y el ajuste de disparo instantáneo (Im) viene de fábrica en el valor Auto 1. En los protectores de circuitos del motor PowerPact marco P (unidades de disparo electrónico ET1.0M), el ajuste de disparo instantáneo viene configurado de fábrica en su posición más baja. Es posible que se tenga que ajustar estos valores para poder arrancar el motor correctamente. Para ambos protectores de circuitos de motor Mag-Gard y PowerPact, consulte los límites de punto de ajuste del disparo magnético que figuran en las normas aplicables del Código eléctrico nacional de EUA (NEC) y NOM-001-SEDE. Para los protectores de circuitos de motor PowerPact marcos H y J, consulte también el boletín de instrucciones no. 48940-260-01 "Ajustes del protector de circuitos de motor PowerPact" incluido con el equipo.

PELIGRO

PELIGRO DE DESCARGA ELÉCTRICA, EXPLOSIÓN O DESTELLO POR ARQUEO

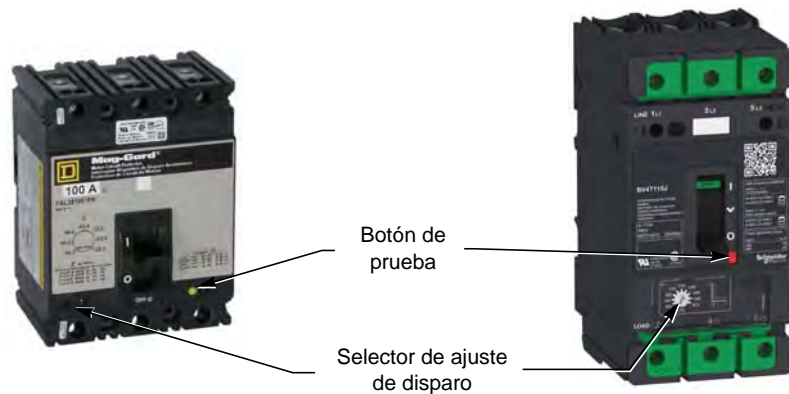
- Utilice equipo de protección personal (EPP) apropiado y siga las prácticas de seguridad en trabajos eléctricos establecidas por su Compañía, consulte la norma 70E de NFPA o Z462 de CSA y NOM-029-STPS.
- Solamente el personal eléctrico especializado deberá instalar y prestar servicio de mantenimiento a este equipo.
- Desenergice el equipo antes de realizar cualquier trabajo en él.
- Siempre utilice un dispositivo detector de tensión nominal adecuado para confirmar la desenergización del equipo.
- Vuelva a colocar todos los dispositivos, las puertas y las cubiertas antes de energizar este equipo.

El incumplimiento de estas instrucciones podrá causar la muerte o lesiones serias.

Para tener acceso al selector de ajuste de disparo del protector Mag-Gard o TeSys marco B :

1. Desenergice el equipo y siga los procedimientos de bloqueo / etiquetado antes de realizar cualquier trabajo dentro o fuera del equipo. Siempre utilice un dispositivo detector de tensión nominal adecuado para confirmar la desenergización del equipo.
2. Coloque la palanca de la unidad en la posición de abierto (O/OFF) y abra la puerta.
3. Mientras empuja la palanca de bloqueo de la puerta hacia delante, dispare el interruptor automático presionando el botón de prueba amarillo (figura 122). La palanca de desconexión se moverá automáticamente hacia arriba permitiendo el acceso al selector de ajustes.

Figura 122 –Ajuste del disparo magnético en protectores Mag-Gard y TeSys marco B



Después de obtener la corriente a carga plena del motor de la placa de datos, seleccione un punto de ajuste de disparo para probar el arranque del motor. Tal vez sea necesario realizar más ajustes debido a las características de carga del motor. Consulte las normas nacionales aplicables para obtener los puntos de ajuste permitidos.

Después de haber ajustado el disparo, restablezca el interruptor automático moviendo la palanca de desconexión a la posición de cerrado (I/ON) y luego a la posición de abierto (O/OFF).

Figura 123 –Ajuste del disparo magnético PowerPact marcos H y J



Para acceder a los selectores de ajuste de disparo instantáneo (Im) y de corriente a plena carga (CPC) en los protectores PowerPact marcos H y J:

1. Desenergice el equipo antes de realizar cualquier trabajo dentro de él y siga los procedimientos de bloqueo / etiquetado. Siempre utilice un dispositivo detector de tensión nominal adecuado para confirmar la desenergización del equipo.
2. Coloque la palanca de la unidad en la posición de abierto "O/OFF" y abra la puerta.
3. Para ajustar los selectores de CPC e Im, consulte también el boletín de instrucciones no. 48940-260-01 "Ajustes del protector de circuitos de motor PowerPact" incluido con el equipo.

- NOTAS:**
- Seleccione los protectores de circuitos de motor Mag-Gard, PowerPact o TeSys de repuesto para los CCM en base a los valores de tensión y corriente nominal que figuran en el catálogo (8998CT9701) del CCM modelo 6; además de la tablas de selección de los protectores Mag-Gard, PowerPact o TeSys en el Compendiado Schneider Electric.
 - Estos protectores de circuitos de motor son adecuados para los motores cuyas letras en el código indican rotor bloqueado en base a los códigos y normas nacionales aplicables. Para obtener información sobre otros motores, póngase en contacto con su representante local de ventas de Schneider Electric.

Figura 124 –Ajuste del disparo instantáneo de los interruptores PowerPact marco L



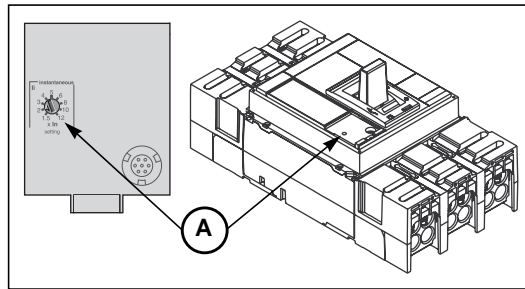
Para acceder al selector de ajuste de disparo (Isd) de los interruptores PowerPact marco L:

1. Desenergice el equipo antes de realizar cualquier trabajo dentro o fuera de él y siga los procedimientos de bloqueo / etiquetado. Siempre utilice un dispositivo detector de tensión nominal adecuado para confirmar la desenergización del equipo.
2. Coloque la palanca de la unidad en la posición de abierto "O/OFF" y abra la puerta.

3. Determine el ajuste de disparo por sobrecorriente ajustando el selector etiquetado "Isd", como se muestra en la figura 124. El selector está etiquetado en amperes. Consulte el boletín de instrucciones 48940-310-01, *Unidades de disparo Micrologic™ 0, 1, 2 y 3—Guía del usuario* para obtener más información sobre los ajustes de disparo. Este boletín de instrucciones es suministrado con el equipo.

Después de obtener la corriente a plena carga del motor de la placa de datos, seleccione un punto de ajuste de disparo para probar el arranque del motor. Tal vez sea necesario realizar más ajustes debido a las características de carga del motor. Consulte los códigos de instalación nacionales aplicables para conocer los puntos de ajustes permitidos.

Figura 125 –Ajuste del disparo instantáneo PowerPact marco P



Para acceder a los selectores de ajuste de disparo instantáneo (I_m) en los PowerPact marco P:

1. Desenergice el equipo antes de realizar cualquier trabajo dentro o fuera de él y siga los procedimientos de bloqueo / etiquetado. Siempre utilice un dispositivo detector de tensión nominal adecuado para confirmar la desenergización del equipo.
2. Coloque la palanca de la unidad en la posición de abierto "O/Off" y abra la puerta.
3. Realice ajustes de la siguiente manera:
 - a. Para las unidades de disparo electrónico ET1.0I y ET1.0M, ajuste el disparo instantáneo (I_i) con el selector A (figura 125). Los ajustes del selector son múltiplos del valor nominal del marco.
 - b. Para las unidades de disparo electrónico Micrologic, consulte el boletín de instrucciones incluido con el interruptor automático.

Después de obtener la corriente a plena carga del motor de la placa de datos, seleccione un punto de ajuste de disparo para probar el arranque del motor. Tal vez sea necesario realizar más ajustes debido a las características de carga del motor. Consulte los códigos de instalación nacionales aplicables para conocer los puntos de ajustes permitidos.

Sección 9—CCM inteligentes (CCMi)

Esta sección incluye las instrucciones para el CCM inteligente modelo 6.

Descripción general del CCMi

El CCMi modelo 6 tiene la misma estructura general y funciones que los centros de control de motores modelo 6 además de funciones inteligentes. Dos métodos típicos de configurar los CCMi modelo 6 para adaptar su aplicación a sus necesidades son:

- CCMi-Conexión física de los cables de E/S: Interconexión de cables del PLC
- CCMi-Red: Alambrado de la red

CCMi-Conexión física de los cables de E/S: Interconexión de cables del PLC

Este método ofrece un sistema de E/S conectado por cables en el CCM modelo 6 el cual proporciona información básica y funciones de control. Con el sistema de E/S montado en el CCM, los arrancadores son conectados a las E/S en la planta de fabricación de Schneider Electric, y el sistema es probado antes de su envío.

CCMi-Red: Alambrado de la red

Una función clave de nuestra solución de CCMi-Red es la integración de dispositivos inteligentes y redes a nivel de los dispositivos que realizan las funciones de control y automatización para proporcionar un funcionamiento mejorado. Protocolos de red populares tales como CANopen, DeviceNet™, Ethernet, Modbus® y PROFIBUS se comunican directamente con cada unidad del CCMi para proporcionar un método eficaz de conexión de control centralizado a un sistema amplio de E/S distribuidas.

La conexión entre redes facilita la supervisión de datos críticos de cada motor o carga conectado al CCMi, permitiendo un control de procesos exacto en todo momento. Con esta información, el personal encargado puede responder proactivamente a problemas potenciales. Acceso en tiempo real a información y registros de las últimas fallas permite obtener un diagnóstico simplificado y tiempo de inactividad reducido.

El alambrado de la red consta de una solución apropiada para su red de comunicación seleccionada. Nuestra canalización de cables con profundidad, líder en la industria, separa eficazmente los cables de la red de los cables de alta tensión. Además, nuestra barrera estándar de la canalización de cables aísla los cables de comunicación de los cables de carga que son dirigidos por la canalización vertical.

Descripción general de redes/comunicaciones

Los CCMi contienen dispositivos de Schneider Electric con puertos de comunicación. Cada dispositivo tiene un mapa de registros internos único (consulte la tabla "Publicaciones relacionadas con el CCM" para conocer los boletines de instrucciones individuales de los dispositivos). Estos dispositivos pueden estar conectados a un solo punto.

La tabla 2 en la página 16 proporciona una lista de las publicaciones de Schneider Electric que le pueden ser útiles durante la instalación, los servicios de mantenimiento y el funcionamiento normal del CCMi modelo 6. Si desea obtener una copia impresa de estos documentos solicítela a su representante local de ventas de Schneider Electric, o puede obtener un archivo electrónico de éstos de la biblioteca técnica en el sitio www.schneider-electric.com.

Conexión del sistema de cables del CCMi

AVISO

PELIGRO DE DAÑO AL EQUIPO

- No use fuerza excesiva al realizar las conexiones de los cables del CCMi.
- Los conectores están ranurados para asegurar que las espigas estén correctamente alineadas.

El incumplimiento de estas instrucciones puede causar daño al equipo.

Las unidades dentro de los CCMi se conectan en la fábrica. El cable utilizado varía según el tipo de red. La tabla 9 muestra las conexiones de los conectores de varias redes:

Tabla 9 – Conexiones de los conectores de red de los CCMi

Red	Color de cable				
	Azul	Blanco	Rojo	Negro	Desnudo
Modbus (RS-485 de 2 hilos)	Señal +	Señal -	No se usa		Blindaje
PROFIBUS	A (Neg)	B (Pos)			
DeviceNet	CAN_L	CAN_H	V +	V -	
CANopen					

Alambrado de la red

Los cables de la red suministrados por la fábrica son instalados de acuerdo con los procedimientos y prácticas establecidos en la norma 845 de UL, en la canalización de cables horizontal inferior.

Para realizar conexiones directas a los sistemas clase CM o clase 2, instale los cables de la clase 2 o clase CM de manera que queden separados de los conductores de alimentación ya sea por una barrera o por un espacio mínimo de 6 mm (0,25 pulg). Dirija los conductores de alimentación en la canalización de cables horizontal superior de manera que queden lo más separado posible.

Los cables externos de la red deben seguir las prácticas para la clase 2 o clase CM, delineadas en las provisiones de los artículo 725 y 800 de NEC, NOM-001-SEDE.

Cables entre las secciones de transporte

Conecte los cables de línea troncales entre las secciones de transporte alineando las ranuras y enchufando el extremo macho del cable troncal al extremo hembra del siguiente cable troncal. Atornille el anillo de acoplamiento y apriételo con la mano. Repita este proceso hasta conectar todas las secciones.

Cables de carga

Se recomienda dirigir todos los cables de carga por la canalización de cables horizontal superior para mantenerlos aislados de los cables de comunicación. Si dirige los cables de carga por la canalización de cables horizontal inferior, asegúrese de mantener una distancia de 6 mm (0,25 pulg) entre los cables de comunicación y todos los demás cables.

Red de comunicaciones

Existen tres maneras principales de conectar la red de comunicaciones: a través de puentes/repetidores, controladores lógicos programables (PLC) o una conexión directa por cable. Siga las instrucciones correspondientes a continuación para realizar las conexiones de los cables en un CCMi modelo 6.

Puentes/repetidores

Si el PLC no se encuentra en el área local del CCM, necesitará usar un puente/repetidor para conectar la red de comunicaciones.

Resistencias terminales

Para que funcione correctamente la red de comunicaciones, cada extremo de la red deberá contar con resistencias terminales. Si su CCMi viene de fábrica con un puente, repetidor y/o PLC, los bloques de terminales externos (MCT485) vienen incluidos con el envío.

Conexión de cables directa

Tabla 10 – Conexiones de los conectores de la red

Terminación de las conexiones en campo	Hembra/macho de 5 espigas	
	Modbus y PROFIBUS	DeviceNet y CANopen
Espiga no. 1	Blindaje	Blindaje
Espiga no. 2	Sin usar	Rojo
Espiga no. 3	Sin usar	Negro
Espiga no. 4	Blanco	Blanco
Espiga no. 5	Azul	Azul

Siga estos pasos para conectar un cable directamente a la red a través del cable de la red del CCMi.

1. Determine qué extremo (macho o hembra) de la red del CCMi conectará a su cable.
2. Pele el aislamiento de los cables de comunicación
3. Según el tipo de red, emplee las conexiones de los conectores proporcionadas en la tabla de la izquierda.

Figura 126 –Diagrama típico de alambrado para una red Modbus® de 2 hilos

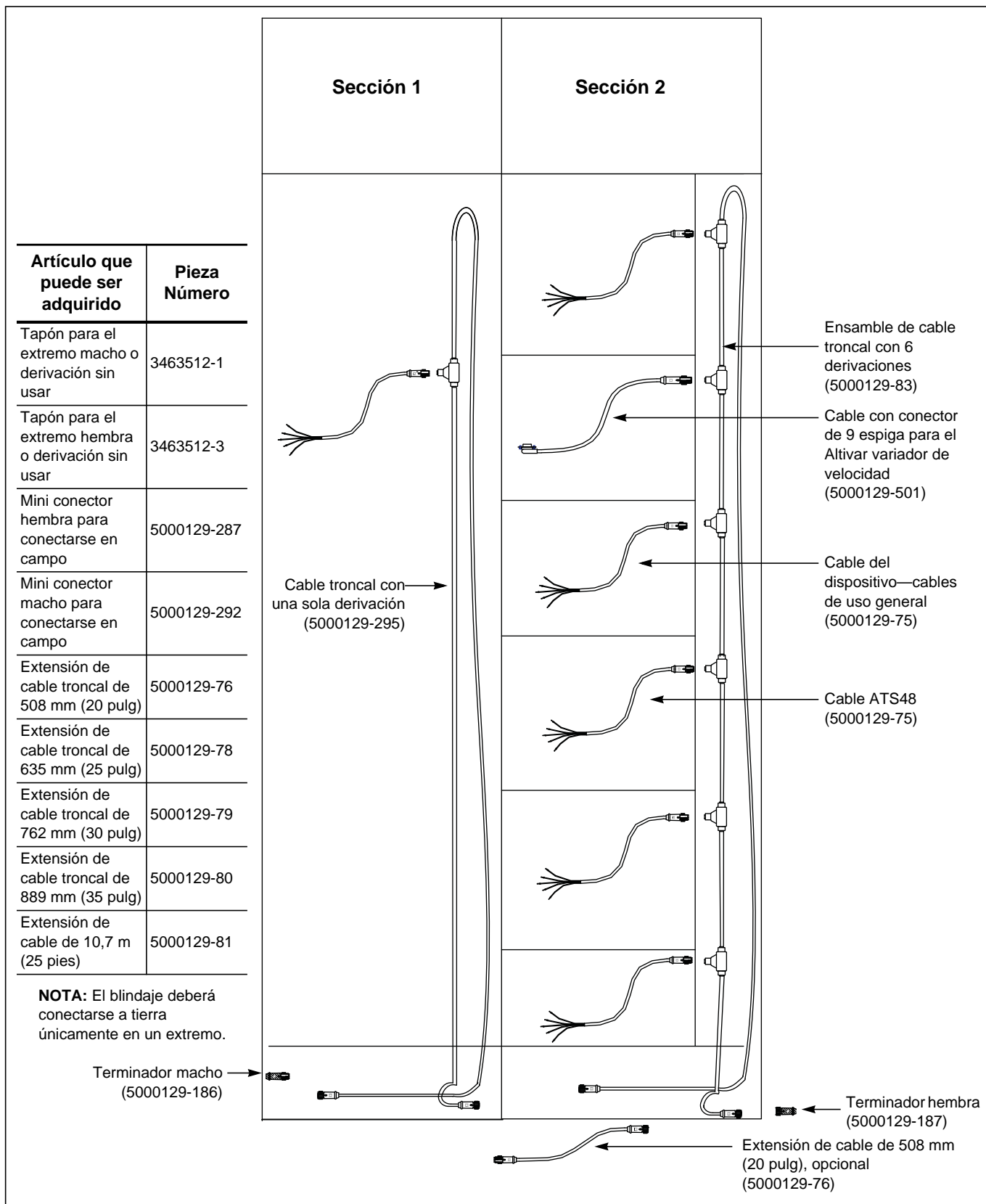
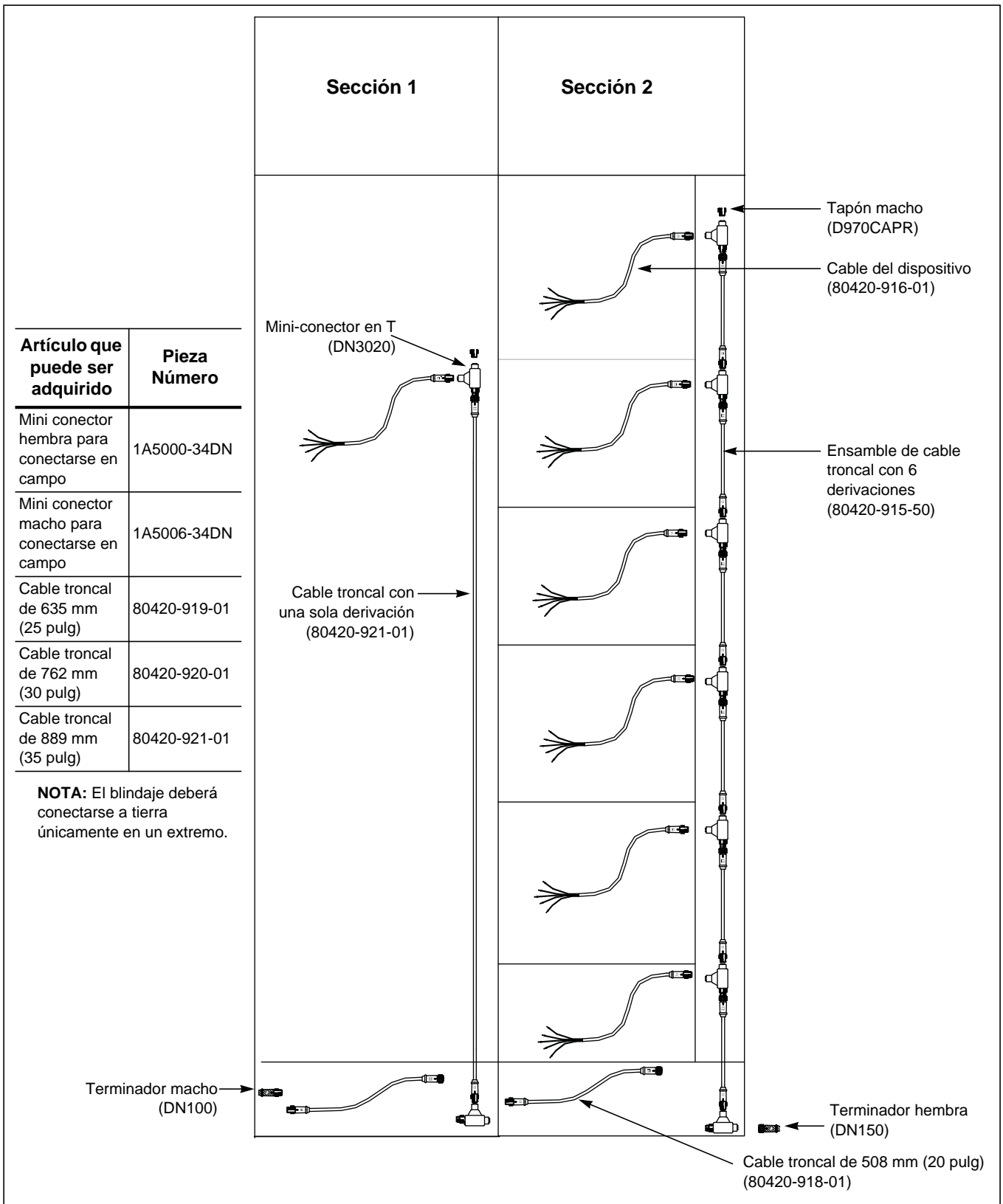


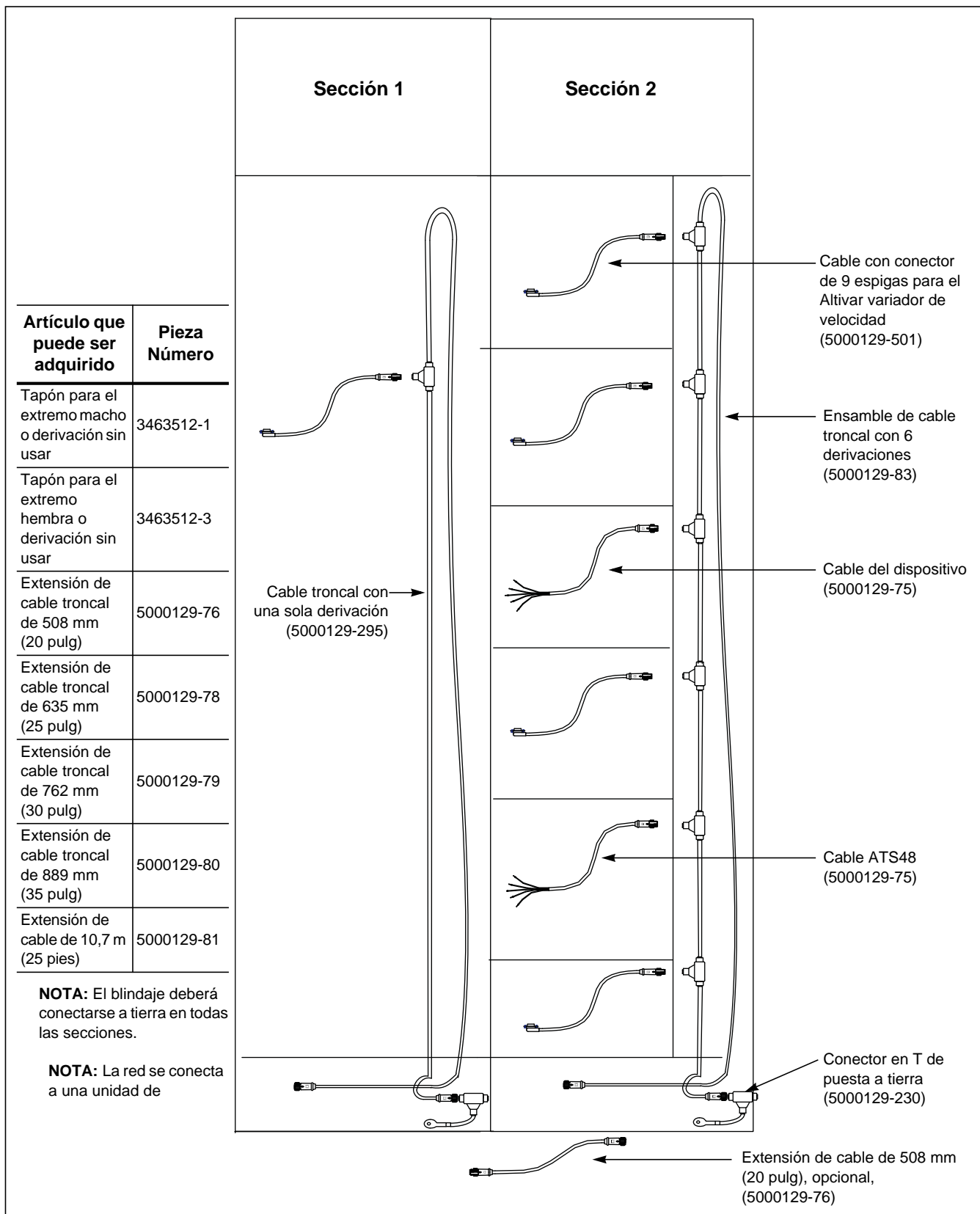
Figura 127 –Diagrama típico de alambrado para redes DeviceNet™ y CANopen (cable 8A)



ESPAÑOL

Figura 128 –Diagrama típico de alambrado para una red PROFIBUS

ESPAÑOL



Funcionamiento

Esta sección contiene las listas de pre-funcionamiento, los procedimientos de energización y los procedimientos de programación local y remota para los relevadores de protección de motor Motor Logic Plus™ y TeSys™ T, ION Meter PowerLogic™, Power Meter PowerLogic™, Monitor de circuitos PowerLogic, variadores de velocidad Altivar™ y arrancadores suaves Altistart™.

Listas de verificación de pre-funcionamiento

Para verificar que el CCMi funciona correctamente, realice las siguientes listas de verificación antes de energizar el equipo:

Estructura del CCM

- ❑ Realice todos los procedimientos de servicio de mantenimiento descritos en la página 87 hasta “Prueba de aislamiento” en la página 103. Es necesario realizar un servicio de mantenimiento inicial para detectar cualquier daño que pudo haber ocurrido durante su transporte así como localizar cualquier conexión suelta. No energice el CCM sino hasta haber completado el servicio de mantenimiento inicial.

NOTA: No es necesario realizar los siguientes procedimientos de servicio de mantenimiento antes de energizar el CCM por primera vez: desmontaje de la unidad de control, ensambles de terminales salientes, contactos de arrancador y barreras/aisladores.

- ❑ Realice una prueba de aislamiento al CCM (consulte “Prueba de aislamiento” en la página 103).
- ❑ Si el CCM está equipado con un dispositivo de protección contra fallas a tierra, ajuste y pruebe correctamente el dispositivo antes de energizarlo.
- ❑ Retire los bloques y demás material de sujeción temporal de los dispositivos eléctricos.
- ❑ Retire cualquier barra de derivación secundaria de los transformadores de corriente. No haga funcionar un transformador de corriente con los circuitos de las barras de derivación secundarias abiertos.
- ❑ Manualmente, pruebe todos los desconectores, interruptores automáticos y demás mecanismos de funcionamiento; asegúrese de que estén bien alineados y que no haya obstrucciones que impidan su funcionamiento.
- ❑ Eléctricamente, pruebe todos los desconectores, interruptores automáticos y demás mecanismos de funcionamiento eléctrico (que no estén bajo carga); asegúrese de que funcionen correctamente. Es posible que se necesite una fuente auxiliar de alimentación de control.
- ❑ Verifique el intervalo y funcionamiento correcto de los contactos de los temporizadores.
- ❑ Ajuste la sobrecorriente del Motor Logic Plus en la intensidad de corriente máxima del factor de servicio del motor para asegurarse de haber provisto la protección de sobrecarga correcta. El umbral de sobrecorriente del Motor Logic Plus viene ajustado de fábrica en su ajuste más bajo. Verifique que todos los demás ajustes hayan sido optimizados para la aplicación.

- ❑ La hoja de ajustes de los parámetros enumera todos los parámetros que han sido modificados de sus ajustes originales por omisión. Los ajustes que no se muestran en esta hoja conservarán sus valores originales por omisión.
- ❑ Verifique que todas las conexiones de carga y control remoto se hayan realizado y que coincidan con los diagramas de alambrado provistos.
- ❑ Asegúrese de que las conexiones a tierra se hayan realizado correctamente.
- ❑ Instale las cubiertas y cierre todas las puertas; asegúrese que estén bien cerradas.

Comunicaciones del CCMi

AVISO

PELIGRO DE DAÑO AL EQUIPO

- No use fuerza excesiva al realizar las conexiones de los cables.
- Los conectores están ranurados para asegurar que las espigas estén correctamente alineadas.

El incumplimiento de estas instrucciones puede causar daño al equipo.

Antes de energizar el equipo, verifique lo siguiente para asegurarse de que los cables y la red del CCMi hayan sido configurados y conectados correctamente:

Conexión de los cables

- ❑ Verifique que la longitud de la red, sin un repetidor, sea menor que 457 m (1 500 pies).
- ❑ Asegúrese de que los cables del CCM estén conectados entre las secciones de transporte. Consulte “Cables entre las secciones de transporte” en la página 118 para obtener instrucciones.
- ❑ Verifique que cada cable de derivación de los dispositivos esté correctamente conectado a la línea troncal principal.
- ❑ Asegúrese de que las conexiones de la red estén bien sujetadas.
- ❑ Verifique que las resistencias de terminación estén instaladas según los requisitos del protocolo de la red.

Configuración de comunicaciones

- ❑ Verifique que todos los dispositivos hayan sido asignados con las direcciones correctas; consulte “Direcciones de los dispositivos” en la página 138 para conocer los parámetros de direcciones específicos.

Energización del CCM

PELIGRO

PELIGRO DE DESCARGA ELÉCTRICA, EXPLOSIÓN O DESTELLO POR ARQUEO

- Utilice equipo de protección personal (EPP) apropiado y siga las prácticas de seguridad en trabajos eléctricos establecidas por su Compañía, consulte la norma 70E de NFPA o Z462 de CSA y NOM-029-STPS.
- Solamente el personal eléctrico especializado deberá instalar y prestar servicio de mantenimiento a este equipo.
- Desenergice el equipo antes de realizar cualquier trabajo en él.
- Siempre utilice un dispositivo detector de tensión nominal adecuado para confirmar la desenergización del equipo.
- Vuelva a colocar todos los dispositivos, las puertas y las cubiertas antes de energizar este equipo.
- Repase las “Listas de verificación de pre-funcionamiento” en la página 123 y asegúrese de que todos los puntos de la lista hayan sido verificados.

El incumplimiento de estas instrucciones podrá causar la muerte o lesiones serias.

Para energizar el CCM:

1. Repase las “Listas de verificación de pre-funcionamiento” en la página 123 antes de energizar.
2. Desconecte todas las cargas de corriente descendente, inclusive el equipo de distribución y demás dispositivos que se encuentren a distancia del CCM.
3. Verifique que todas las barreras, cubiertas y puertas estén cerradas antes de energizar el equipo.
4. Energice el equipo en secuencia, comenzando con los dispositivos principales, los dispositivos alimentadores y luego los arrancadores de motores.
5. Con todas las barreras en su lugar y todas las puertas de la unidad cerradas y bloqueadas, conecte los dispositivos con un movimiento positivo y firme.
6. Una vez que todos los dispositivos de desconexión estén cerrados, las cargas tales como los circuitos de alumbrado, arrancadores, contactores, calefactores y motores puedan ser energizadas.

Programación local de Motor Logic Plus

⚠ PELIGRO

PELIGRO DE DESCARGA ELÉCTRICA, EXPLOSIÓN O DESTELLO POR ARQUEO

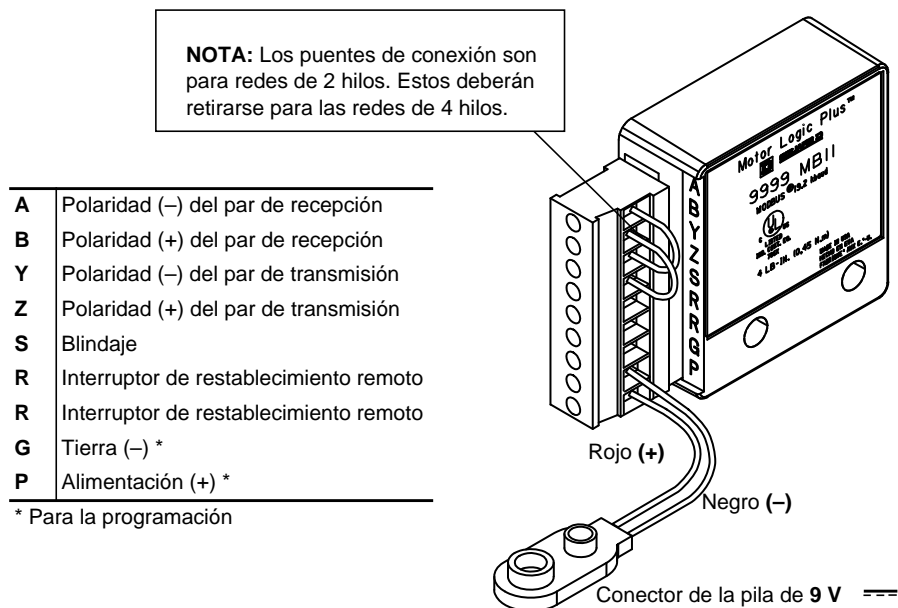
- Utilice equipo de protección personal (EPP) apropiado y siga las prácticas de seguridad en trabajos eléctricos establecidas por su Compañía, consulte la norma 70E de NFPA o Z462 de CSA y NOM-029-STPS.
- Desenergice el equipo antes de realizar cualquier trabajo dentro o fuera del centro de control de motores.
- Utilice un dispositivo detector de tensión nominal adecuado para confirmar la desenergización del equipo. Las unidades de control deben ser desenergizadas antes de realizar servicios de mantenimiento al CCM.
- El desconectador seccionador de la unidad debe estar bloqueado en la posición de abierto (O/OFF) antes de realizar cualquier trabajo en el equipo.

El incumplimiento de estas instrucciones podrá causar la muerte o lesiones serias.

A través de la programación local es posible realizar lecturas de error y programar el punto de referencia de Motor Logic Plus. Asegúrese de que la visualización esté desbloqueada (ajuste por omisión) y desconecte toda la alimentación antes de realizar los siguientes pasos y efectuar la programación local:

1. Desenergice el equipo antes de realizar cualquier trabajo dentro de él y siga los procedimientos de bloqueo / etiquetado. Siempre utilice un dispositivo detector de tensión nominal adecuado para confirmar la desenergización del equipo.
2. Conecte una fuente de alimentación de 9 V a las terminales "P" y "G" utilizando el conector incluido, pieza no. 80445-519-50 (figura 129).

Figura 129 –Terminales del módulo de comunicación Motor Logic Plus



3. Ajuste el interruptor de modo de selección (Mode Select) en el parámetro que está programando. Consulte el boletín no. 30072-013-98_ (consulte “Publicaciones relacionadas con el centro de control de motores inteligentes (CCMi)” en la página 16) para obtener una lista de los parámetros.
4. Oprima y mantenga oprimido el botón de restablecimiento/programa (Reset/Program).

NOTA: No se iluminará la visualización durante la programación local cuando el interruptor de selección de modo (Mode Select) está en la posición de marcha (Run).

5. Gire el selector de visualización/programa (Display/Program) en el ajuste deseado como se muestra en la pantalla LED.
6. Suelte el botón de restablecimiento/programa (Reset/Program).
7. Regrese el interruptor de modo de selección (Mode Select) a la posición de marcha (Run).
8. Desconecte la fuente de alimentación de 9 V y su conector.

Los mensajes de error se muestran en la pantalla LED de 3 dígitos cuando se detectan condiciones peligrosas. La tabla 11 contiene una lista de los códigos de mensajes de error y sus definiciones.

Tabla 11 – Visualización de errores locales

Mensaje mostrado	Descripción	Mensaje mostrado	Descripción
oc	Disparo por sobrecorriente	GrF	Disparo por falla a tierra
SP	Disparo por puesta de una sola fase	HI	Disparo por alta tensión
ub	Disparo por desequilibrio de tensión o corriente	Lo	Disparo por baja tensión
uC	Disparo por baja corriente	rP	Las fases entrantes han sido invertidas
cF	Disparo por falla del contactor	oFF	Se emitió un comando de paro desde una fuente remota

Programación remota de Motor Logic Plus

A través de la programación remota es posible realizar adquisición de datos y programar el punto de referencia. Siga estos pasos para configurar remotamente el relevador de sobrecarga Motor Logic Plus (consulte la tabla 12 para obtener una descripción de los códigos de la línea de control en cada paso).

1. Para el relevador de sobrecarga al enviar un código “02H” al registro de comando (C6H).
2. Si la programación de la red no ha sido activada, envíe el código “05H” al registro de comando.
3. Programe el parámetro apropiado. Consulte la tabla 13 en la página 128 para obtener un mapa de registros con una lista de parámetros. Para obtener información más detallada, consulte el boletín no. 30072-013-102_. Consulte la tabla 14 en la página 129 y la tabla 15 en la página 130 para determinar la ubicación y dirección de los parámetros dentro del mapa de registros del Motor Logic Plus.
4. Vuelva a arrancar el relevador de sobrecarga utilizando un código “01H”.

Tabla 12 – Códigos de línea de comando

Código	Comando
01H	Arranque/restablecimiento
02H	Paro
03H	Bloquear visualización
04H	Desbloquear visualización
05H	Activar la programación de red
06H	Desactivar la programación de red
07H	Activar controlador de secuencia de la red★
08H	Desactivar controlador de secuencia de la red★

★ La función del controlador de secuencia de la red desactiva el RSES Motor Logic Plus cuando el dispositivo no recibe una señal de comunicación válida dentro de un período de 10 s.

Tabla 13 – Descripciones de las direcciones Motor Logic Plus

Operación	Dirección		Código	Descripción	Notas
	RAM	Relativa★			
Sólo lectura (todos los registros son palabras de 16 bits)	A0	1A0	VOLTAV	Tensión media L–L	V~
	A2	1A1	IAVE	Corriente media sin procesar	A (x100, x10, x1), multiplicada por el factor de escala
	A4	1A2	VUB	Desequilibrio de tensión	0–100%
	A6	1A3	IUB	Desequilibrio de corriente	0–100%
	A8	1A4	PFANGLE	Ángulo del factor de potencia	Grados
	AA	1A5	CAPTY	Capacidad térmica restante	0–100%
	AC	1A6	GFC	Corriente de falla a tierra	A (x100, x10, x1), multiplicada por el factor de escala
	AE	1A7	ERCODE/TRIPRN	Error de tiempo real (RTE) e indicador de disparo (TI)	RTE codificado en cuartetos de 8 bits; TI codificado en 8 bits
	B0	1A8	FH	Historial de fallas	Orden de las fallas: 4ª, 3ª, 2ª, última
	B2	1A9	PID	Año de fabricación/ modelo y escala	Año de 8 bits; ID de 8 bits y escala
	B4	1AA	VA-C	Tensión de línea A–C	V~
	B6	1AB	VB-C	Tensión de línea B–C	V~
	B8	1AC	VA-B	Tensión de línea A–B	V~
	BA	1AD	IC	Corriente de fase C sin procesar	A (x100, x10, x1), multiplicada por el factor de escala
	BC	1AE	IB	Corriente de fase B sin procesar	A (x100, x10, x1), multiplicada por el factor de escala
	BE	1AF	IA	Corriente de fase A sin procesar	A (x100, x10, x1), multiplicada por el factor de escala
	C0	1Bo	RD1	Retardo de arranque RD1 restante	
	C2	1B1	RD2	Retardo de arranque RD2 restante	
	C4	1B2	RD3	Retardo de arranque RD3 restante	
	C6	1B3	COMLINE	Código de línea de comando (dirección C6H)	Consulte la tabla 12 (sólo escritura)
C8	1B4	Scale	Parámetro de escala PowerLogic® (sólo lectura)	0, 1, 2: palabras de 16 bits con signo (complemento a 2, sólo lectura)	
CA	1B5	LV	Umbral de baja tensión	170 V~ a HV (modelo de 600 V~; 450 V~ a HV)	

★ Requerida para el software PowerLogic.

Tabla 13 – Descripciones de las direcciones Motor Logic Plus (continuación)

Operación	Dirección		Código	Descripción	Notas
	RAM	Relativa★			
Sólo lectura (todos los registros son palabras de 16 bits)	CC	1B6	HV	Umbral de alta tensión	LV a 528 V~ (modelo de 600 V~; LV a 660 V~)
	CE	1B7	VUB	Umbral de desequilibrio de tensión	2 a 15%, o 999 (parado)
	D0	1B8	MULT	Relación efectiva de vueltas	Según el modelo
	D2	1B9	OC	Umbral de sobrecorriente	Gama de corriente del RSES
	D4	1BA	UC	Umbral de baja corriente	0,5 x OC mín. a OC máx., desconectado
	D6	1BB	CUB	Umbral de desequilibrio de corriente	2 a 25%, o 999 (parado)
	D8	1BC	TC	Clase de disparo por sobrecorriente	5, J5, 10, J10, 15, J15, 20, J20, 30, J30 (J = protección contra atascamiento activada)
	DA	1BD	RD1	Temporizador de ciclo rápido	2 a 500 s
	DC	1BE	RD2	Retardo de rearmado RD2	2 a 500 min.
	DE	1BF	RD3	Retardo de rearmado RD3	2 a 500 min.
	E0	1C0	#RU	Rearmados después de UC	0, 1, 2, 3, 4, A
	E2	1C1	#RF	Número de rearmados	0, 1, oc1, 2, oc2, 3, oc3, 4, oc4, A, ocA (0 = manual, A = continua, oc = rearmado automático después de expirar RD2)
	E4	1C2	UCTD	Retardo de disparo por baja corriente	2 a 60 s
E6	1C3	GF	Umbral de falla a tierra	0,15 x OC mín. a 0,2 x OC máx., parado	
E8	1C4	ADDR	Dirección de esclavo RS-485	01 a 99	

★ Requerida para el software PowerLogic.

Tabla 14 – Registros de sólo lectura

Dirección RAM	Dirección relativa★	Código	Descripción	Notas		
A0	1A0	VOLTAV	Tensión media L-L	Volts		
A2	1A1	IAVE	Corriente media sin procesar	A (x100, x10, x1), multiplicada por el factor de escala		
A4	1A2	VUB★★	Desequilibrio de tensión	0–100%		
A6	1A3	IUB★★	Desequilibrio de corriente	0–100%		
A8	1A4	PFANGLE★★	Ángulo del factor de potencia	Grados		
AA	1A5	CAPTY★★	Capacidad térmica restante	0–100%		
AC	1A6	GFC★★	Corriente de falla a tierra	A (x100, x10, x1), multiplicada por el factor de escala		
AE	1A7	ERCODE/ TRIPRN	Errores de tiempo real de bit e indicador de disparo	Bit #	TRIPRN	ERCODE
				0	Cierre de falla	Baja tensión
				1	Paro remoto	Alta tensión
				2	Falla del contactor	Desequilibrio de tensión
				3	Baja corriente	Baja corriente
				4	Sobre-corriente	Inversión de fases
				5	Falla a tierra	Desequilibrio de corriente
				6	Desequilibrio de corriente	Tensión de una fase > 25%
7	Desequilibrio de corriente de una fase > 50%	Corriente de una fase > 50%				

★ Debe usarse con software PowerLogic™ ★★ Se puede ver solamente a través de la red

Tabla 14 – Registros de sólo lectura (continuación)

Dirección RAM	Dirección relativa★	Código	Descripción	Notas	
B0	1A8	FH★★	Historial de 4 fallas NIBBLE_CODED (codificado en cuarteto)	El historial de cuatro fallas se basa en el siguiente esquema: 16_15 14 13 12 11 10 9 8 7 6 5 4 3 2 1, donde los bits 1 a 4 = última falla, bits 5 a 8 = 2a última falla, bits 9 a 12 = 3a última falla y bits 13 a 16 = 4a última falla. Estos cuatro bits indican un valor hexadecimal que corresponde a las siguientes fallas:	
				01	Alta tensión
				02	Baja tensión
				03	N/A
				04	Falla del contactor
				05	Inversión de fases
				06	Monofásica
				07	Falla a tierra
				08	Desequilibrio de corriente
				09	Comando de paro remoto
				10	Sobre-corriente
	11	Baja corriente			
B2	1A9	PID★★	Año y mes de fabricación, tipo de producto/escala	Año de 8 bits; mes de 4 bits, E/S de 4 bits y escala	
B4	1AA	VA-C	Tensión de línea A–C	Volts	
B6	1AB	VB-C	Tensión de línea B–C	Volts	
B8	1AC	VA-B	Tensión de línea A–B	Volts	
BA	1AD	IC	Corriente de fase C sin procesar	A (x100, x10, x1), multiplicada por el factor de escala	
BC	1AE	IB	Corriente de fase B sin procesar	A (x100, x10, x1), multiplicada por el factor de escala	
BE	1AF	IA	Corriente de fase A sin procesar	A (x100, x10, x1), multiplicada por el factor de escala	
C0	1B0	RD1★★	Retardo de arranque RD1 restante	Segundos	
C2	1B1	RD2★★	Retardo de arranque RD2 restante	Segundos	
C4	1B2	RD3★★	Retardo de arranque RD3 restante	Segundos	

★ Debe usarse con software PowerLogic™ ★★ Se puede ver solamente a través de la red

Tabla 15 – Registros de lectura/escritura

Dirección RAM	Dirección relativa	Código	Descripción	Gama	Valor pre-determinado	
C6	1B3	COM-LINE	Línea de comando★	Activación de Restablecimiento/marcha/paro, bloqueo de visualización, configuración de red	Registro de comandos de Motor Logic Plus™ (C6 hex.)	
					01H	Arranque/ restablecimiento
					02H	Paro
					03H	Bloqueo de visualización
					04H	Desbloqueo de visualización
					05H	Activación de la programación de red
	06H	Desactivación de la programación de red				
C8	1B4	Scale	Parámetro de escala PowerLogic™	0, 1, 1 a 2: palabras de 16 bits con signo (complemento a 2, sólo lectura)	Según el modelo	
CA	1B5	LV	Umbral de baja tensión	170 V (450 V★)- ajuste de HV	435	
CC	1B6	HV	Umbral de alta tensión	Ajuste de LV- 528 V (660 V★)	500	

★ Se puede ver solamente a través de la red

Tabla 15 – Registros de lectura/escritura (continuación)

Dirección RAM	Dirección relativa	Código	Descripción	Gama	Valor pre-determinado	
CE	1B7	VUB	Umbral de desequilibrio de tensión	2 a 15% o 999%	5%	
D0	1B8	MULT	TC/relación efectiva de vueltas	1 ó 10 a 200	1	
D2	1B9	OC	Umbral de sobrecorriente	Gama de corriente de SC	Val. nom. mín.	
D4	1BA	UC	Umbral de baja corriente	0,5 x OC mín. a OC máx., desconectado	0,8 x OC mín.	
D6	1BB	CUB	Umbral de desequilibrio de corriente	2 a 25% o 999%	6%	
D8	1BC	TC	Clase de disparo por sobrecorriente	5, J5, 10, J10, 15, J15, 20, J20, 30, J30 (<i>J = protección contra atascamiento activada</i>)	5	5 decimales
					J5	133 decimales
					10	10 decimales
					J10	138 decimales
					15	15 decimales
					J15	143 decimales
					20	20 decimales
					J20	148 decimales
					30	30 decimales
J30	158 decimales					
DA	1BD	RD1	Temporizador de ciclo rápido	2 a 500 segundos	10	
DC	1BE	RD2	Retardo de rearme de todas las fallas excepto la de baja corriente	2 a 500 minutos	8	
DE	1BF	RD3	Retardo de rearme después de una sobrecorriente	2 a 500 minutos	20	
E0	1C0	#RU	Núm. de rearmes después de una sobrecorriente	0, 1, 2, 3, 4, A (automático)	Valores de RU	
					8.1	0 a 4 en decimales
					8.2	A = 255 decimales
E2	1C1	#RF	Núm. de rearmes de todas las fallas excepto la de baja corriente	0, 1, oc1, 2, oc2, 3, oc3, 4, oc4, A, ocA (<i>0 = manual, A = continua, oc = rearme automático después de expirar RD2</i>)	Valores de RF	
					0	1 decimales
					1	2 decimales
					oc1	3 decimales
					2	4 decimales
					oc2	5 decimales
					3	6 decimales
					oc3	7 decimales
					4	8 decimales
					oc4	9 decimales
					A	10 decimales
ocA	11 decimales					
E4	1C2	UCTD	Retardo de disparo por baja corriente	2 a 60 segundos	5	
E6	1C3	GF	Umbral de corriente de falla a tierra	(0,4) gama de corriente de AOL o parado	0,15 x mín.	
E8	1C4	ADDR	Dirección de esclavo RS-485	01–99	1	

★ Se puede ver solamente a través de la red

Controlador de gestión de motores TeSys™ T

Figura 130 –Controladores TeSys T



Modbus®



DeviceNet™



PROFIBUS



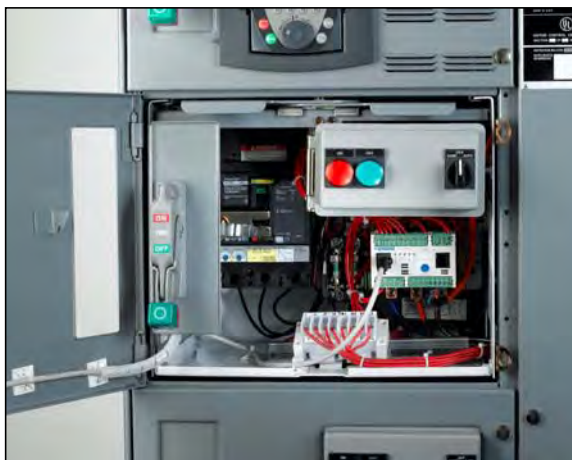
Ethernet



CANopen

A continuación se describen las unidades de arrancador del CCM con controlador de gestión de motores TeSys T. Antes de instalar, ajustar o prestar servicio de mantenimiento a estas unidades, asegúrese de leer y entender las precauciones descritas al principio de este boletín. Para obtener detalles completos sobre la instalación del CCM, consulte la “Sección 4—Instalación de los CCM” en la página 24.

Figura 131 –Unidades de control de clasificación NEMA (TeSys T Modbus)



Aplicaciones de modernización TeSys T

⚠ PELIGRO

PELIGRO DE DESCARGA ELÉCTRICA, EXPLOSIÓN O DESTELLO POR ARQUEO

- Utilice equipo de protección personal (EPP) apropiado y siga las prácticas de seguridad en trabajos eléctricos establecidas por su Compañía, consulte la norma 70E de NFPA o Z462 de CSA y NOM-029-STPS.
- Solamente el personal eléctrico especializado deberá instalar y prestar servicio de mantenimiento a este equipo.
- Desenergice el equipo antes de realizar cualquier trabajo dentro o fuera de él.
- Siempre utilice un dispositivo detector de tensión nominal adecuado para confirmar la desenergización del equipo.
- Vuelva a colocar todos los dispositivos, las puertas y las cubiertas antes de energizar este equipo.

El incumplimiento de estas instrucciones podrá causar la muerte o lesiones serias.

NOTA: Para aplicaciones de modernización, comuníquese con su representante local de Schneider Electric para obtener asistencia. Schneider Electric no asume responsabilidad alguna por el diseño o implementación de las modernizaciones a no ser que haya sido contratada para realizarlas. Consulte el boletín de datos no. 8998DB1004 de Schneider Electric para la actualización del relevador de sobrecarga de estado sólido Motor Logic™ Plus o Motor Logic Plus II al sistema de control de los motores TeSys™ T.

Retire el arrancador de la unidad para sustituir el relevador de sobrecarga (de aleación fusible/bimetálico). Consulte la “Desmontaje de las unidades de control” en la página 91.

Los bloques de terminales (OEKTTBML) deberán usarse en las aplicaciones de dos velocidades que requieren múltiples pasadas para lograr la gama de ajuste apropiada.

Sujete los cables de carga en bucle entre el controlador TeSys T y el bloque de terminales con amarres de cables (o equivalente) cuando se usan kits de terminales.

En las aplicaciones tamaño 1 de 600 V, agregue un tercer amarre de cables entre el interruptor automático y el contactor, más cercano a las zapatas de línea del contactor. Consulte el boletín de instrucciones 30072-013-29 para obtener información adicional.

Utilice conductores de cobre solamente en las terminales de alimentación y control del dispositivo. Los conductores deben ser adecuados para 60 °C o 75 °C de acuerdo con el Código eléctrico nacional de EUA (NEC®), NOM-001-SEDE.

Las terminales de presión de los conductores son adecuadas para los cables de conductores sencillos tamaños 0,205 a 2,08 mm² (24 a 14 AWG), sólidos o trenzados o dos cables de conductores tamaño 0,205 a 0,824 mm² (24 a 18 AWG). Las etiquetas de instrucciones de las terminales se encuentran junto al bloque de terminales o en la puerta de la canalización para cables.

Aplicaciones que requieren vueltas en el controlador

Hay algunas aplicaciones que requieren más de una vuelta de alambrado por el controlador TeSys T.

- Todas las aplicaciones NEMA tamaño 4 necesitan tres vueltas por los transformadores de corriente (TC) montados independientemente con una razón de 300:5.
- Algunas aplicaciones de par constante o variable de dos velocidades requieren dos vueltas por las ventanas (del TC) del TeSys T por las que deben pasar los conductores del motor antes de ser conectados a las terminales de carga del contactor (T1, T2 y T3). Estas aplicaciones de par constante o variable de dos velocidades son para NEMA tamaño 1 (de 3/4 HP, 480 V) y todas las NEMA tamaño 2. Al permitir que los conductores del motor den muchas pasadas (vueltas) por estas ventanas del TC, es posible proteger los motores cuya corriente a plena carga sea inferior a la gama de funcionamiento especificada. Cuando los conductores de carga han dado dos vueltas por cada ventana se aumenta efectivamente la corriente percibida por el TeSys T (en múltiplos de dos).
- Las tres ventanas para conductores deberán tener la misma cantidad de vueltas, en bucle en la misma dirección, para que el TeSys T funcione como es debido.
- Las vueltas deberán comenzar en el lado de carga del TeSys T y pasar por la ventana del TC y regresar por las ventanas provistas entre la placa base y el TeSys T. La vuelta final termina en el lado de carga del contactor.
- Las unidades del CCM que requieren varias vueltas vienen de fábrica con los bucles necesarios y con un conductor tamaño 2,08 mm² (14 AWG) y bloques de terminales de interposición. Consulte “Aplicaciones de modernización TeSys T” en la página 133 para obtener más información.

Programación local del TeSys T

⚠ PELIGRO

PELIGRO DE DESCARGA ELÉCTRICA, EXPLOSIÓN O DESTELLO POR ARQUEO

- Utilice equipo de protección personal (EPP) apropiado y siga las prácticas de seguridad en trabajos eléctricos establecidas por su Compañía, consulte la norma 70E de NFPA o Z462 de CSA y NOM-029-STPS.
- Desenergice el equipo antes de realizar cualquier trabajo dentro o fuera del centro de control de motores.
- Utilice un dispositivo detector de tensión nominal adecuado para confirmar la desenergización del equipo. Las unidades de control deben ser desenergizadas antes de realizar servicios de mantenimiento en el CCM.
- El desconectador seccionador de la unidad debe estar bloqueado en la posición de abierto (O/OFF) antes de realizar cualquier trabajo en el equipo.

El incumplimiento de estas instrucciones podrá causar la muerte o lesiones serias.

A través de la programación local es posible realizar lecturas de error y programar el punto de referencia. Configure el TeSys T con el software PowerSuite™, el software SoMove o bien una interfaz hombre-máquina (visualización) para configurar los parámetros.

La hoja de ajustes de los parámetros enumera todos los parámetros que han sido ajustados por la fábrica específicamente para cada aplicación de los dispositivos. Los ajustes que no se muestran en esta hoja conservarán sus valores originales por omisión. Para regresar el controlador TeSys T a sus ajustes por omisión, presione y mantenga sostenido el botón de prueba/restablecimiento de 16 a 20 segundos.

NOTA: El controlador TeSys T necesita alimentación para ser configurado.

Cómo configurar con una interfaz hombre-máquina

La interfaz hombre-máquina puede ser adquirida como una opción montada en la unidad, o bien como un kit de programación portátil independiente que incluye una interfaz y un cable de conexión de 1 m (3,3 pies).

1. Conecte la interfaz hombre máquina a la unidad TeSys T:
 - Si es provista como una opción montada en la unidad, las conexiones se realizarán en la fábrica.
 - o
 - Conecte el kit de programación directamente al puerto "LTME" o "HMI" en la parte frontal del controlador TeSys T.
 - o
 - Conecte el kit de programación al puerto RJ-45 opcional, montado en la unidad.
2. Corriente a plena carga (CPC) de entrada:
 - Con la interfaz hombre-máquina, vaya a Menú>Ajustes de protección (Protection Settings)>Térmica>Sobrecarga térmica (Thermal Overload)>CPC1 (FLC1)

NOTA: Para obtener detalles adicionales, consulte el *Manual del usuario de la unidad del operador de control TeSys T LTM CU* y el *Manual del usuario del controlador de gestión de motores TeSys T LTM R* específico del protocolo de comunicación de su red. (Consulte la "Publicaciones relacionadas con el centro de control de motores inteligentes (CCMi)" en la página 16 para obtener el número de los documentos).

Cómo configurar con el software PowerSuite™

El kit del software PowerSuite contiene un CD del programa, un convertidor de USB a RS-485 y un cable de 3 m (10 pies).

1. Instale el software PowerSuite en su PC.
2. Ajuste el conmutador superior en el convertidor en 0-TER MULT.
3. Ajuste el conmutador de polarización al lado del convertidor en OFF.
4. Conecte un extremo del cable al puerto RJ-45 del convertidor.
5. Conecte el otro extremo del cable al controlador TeSys T.
6. Conecte el conector USB del convertidor al puerto USB de su PC. (el convertidor emplea el controlador UniTelway/Modbus incluido con el software PowerSuite).
7. Ajuste la corriente a plena carga (CPC)
 - Vaya a Ajustes > Térmico > CPC1 (SC1) [FLC1 (OC1)]
 - Ingrese la CPC1 como un % de la CPCmáx.
8. Convierta los Amperes en los ajustes de la CPC
 - Los valores de la CPC son almacenados como un porcentaje de la CPCmáx en el controlador TeSys T:

$$\text{CPC (en \%)} = \text{CPC (en A)} / \text{CPC máx}$$

NOTA: Para obtener detalles sobre el software PowerSuite, consulte el manual del usuario del controlador de gestión de motores específico para el protocolo de comunicación de su red. Verifique la configuración correcta del controlador TeSys T según su aplicación.

Cómo configurar con el software SoMove

Para obtener detalles sobre el software SoMove, consulte el manual del usuario del controlador de gestión de motores específico para el protocolo de comunicación de su red.

Medidor ION de PowerLogic

Las instrucciones para la programación de los medidores ION serie 9000 de PowerLogic se encuentran en el boletín de instrucciones 7EN02-0390 de Schneider Electric.

Power Meter de PowerLogic serie 800, 5500, 8000

Las instrucciones de programación local y remota para el Power Meter serie 800 se encuentran en los boletines nos. 63230-500-200 y 63230-500-204 de Schneider Electric (consulte la tabla “Publicaciones relacionadas con el CCM” en la página 15).

Las instrucciones de programación local y remota para el Power Meter serie 5500 se encuentran en el boletín no. HRB1684301 de Schneider Electric (consulte la tabla “Publicaciones relacionadas con el CCM” en la página 15).

Las instrucciones de programación local y remota para el Power Meter serie 8000 se encuentran en el boletín no. 7EN02-0336 de Schneider Electric (consulte la tabla “Publicaciones relacionadas con el CCM” en la página 15).

Monitor de circuitos PowerLogic

Las instrucciones de programación local y remota para el monitor de circuitos serie 3000 ó 4000 se encuentran en los boletines no. 63230-400-204 ó 63230-300-209 respectivamente de Schneider Electric (consulte la tabla “Publicaciones relacionadas con el CCM” en la página 15).

Altivar™ 61/71

Para realizar la programación de puntos de referencia localmente, consulte el boletín de instrucciones *atv71_Programming_Manual_EN* de Schneider Electric (consulte la tabla “Publicaciones relacionadas con el CCM” en la página 15).

Para realizar la programación de puntos de referencia remotamente, consulte el boletín de instrucciones *atv71_Programming_Parameters_EN* de Schneider Electric (consulte la tabla “Publicaciones relacionadas con el CCM” en la página 15).

Altivar 630/930

Las instrucciones de programación local y remota para el variador de velocidad Altivar 630 se encuentran en el boletín no. EAV64318 de Schneider Electric (consulte la tabla “Publicaciones relacionadas con el CCM” en la página 15).

Las instrucciones de programación local y remota para el variador de velocidad Altivar 930 se encuentran en el boletín no. NHA80757 de Schneider Electric (consulte la tabla “Publicaciones relacionadas con el CCM” en la página 15).

Altistart™ 48

El arrancador suave Altistar 48 viene ajustado de fábrica y no es necesario ajustarlo para que funcione con muchas aplicaciones. El arrancador Altistart 48 se ajusta con los siguientes parámetros:

Protocolo	Dirección	Velocidad	Formato	Paridad
RTU Modbus®	Definida por el cliente	19 200 baudios	8 bits de datos, 1 bit de paro	Par

Dos interruptores situados en la parte posterior de la terminal de programación y ajustes permiten tres niveles de acceso a los parámetros. Cada uno puede ser configurado para evitar el ajuste de los parámetros, como es el caso cuando se envía de la fábrica. Los parámetros son bloqueados en la fábrica para evitar su modificación accidental. Para ajustar los parámetros, primero debe desmontar el módulo de comunicación de la parte frontal de la puerta de la unidad, y luego modificar los ajustes de los interruptores DIP.

Interruptores automáticos Powerpact™ con unidades de disparo Micrologic™

Las instrucciones para realizar la programación local o remota de los parámetros de la unidad de disparo Micrologic se pueden encontrar en el boletín de instrucciones 48940-313-01 de Schneider Electric, *Interruptores automáticos PowerPact™ marcos H, J y L con unidades de disparo Micrologic™—Guía del usuario*.

Direcciones de los dispositivos

A no ser que se especifique lo contrario, a los dispositivos del CCM se le asignan direcciones que comienzan a partir de 2.

Protocolo	Cantidad máxima de nodos a los que se puede asignar una dirección	Gama de direcciones	Dirección a evitar
Modbus	31	2–247	127
PROFIBUS	126	2–125	126
DeviceNet	64	2–62	63
CANopen	127	2–126	127

Software

El software de configuración—por ejemplo, System Manager de PowerLogic™, Ecoreach, PowerSuite, Motor Logic Plus Solutions o SoMove—se encuentra disponible para comunicación con los componentes inteligentes del CCMi modelo 6. Consulte el manual del usuario, incluido en el paquete del software, para obtener las instrucciones de instalación, funcionamiento y servicios de mantenimiento.

Seguridad de la red

⚠ ADVERTENCIA

COMPROMISO POTENCIAL DE DISPONIBILIDAD, INTEGRIDAD Y CONFIDENCIALIDAD DEL SISTEMA

- Cambie las contraseñas predeterminadas para ayudar a prevenir el acceso no autorizado a la información y configuraciones del dispositivo.
- Desactive los puertos y/o servicios que no se utilizan así como cuentas predeterminadas, donde sea posible, para minimizar vías para ataques maliciosos.
- Coloque los dispositivos conectados a una misma red detrás de varias capas de defensa cibernética (tales como firewalls, segmentación de la red así como protección y detección de intrusiones en la red).
- Utilice las mejores prácticas de seguridad cibernética (por ejemplo: mínimo privilegio, separación de funciones) para ayudar a prevenir la exposición no autorizada, pérdida, modificación de datos y registros, la interrupción de los servicios, o una operación involuntaria.

El incumplimiento de estas instrucciones puede causar la muerte, lesiones serias, daño al equipo o pérdida de datos.

Sección 10—Expansión

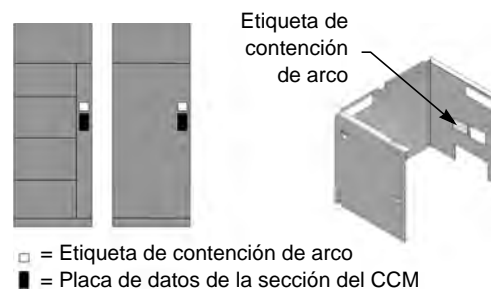
El diseño modular de los CCM facilita la expansión del sistema eléctrico, en caso de ser necesaria. Es fácil instalar unidades de arrancador en un CCM existente que cuente con el espacio disponible. En caso de que no esté disponible el espacio necesario para montar las unidades de arrancador, es posible agregar secciones verticales para proporcionar espacio adicional. Todos los espacios preparados o espacios sobrantes deben ser cubiertos con unidades con contención de arco vacías en los CCM modelo 6 con clasificación de contención de arco.

Es posible volver a arreglar o colocar las unidades de arrancador con unidades más grandes. En la mayoría de los casos, es posible sustituir una unidad de arrancador tamaño 1 con una unidad tamaño 2 sin requerir espacio de montaje adicional.

Información de pedido

NOTA: Los CCM con contención de arco únicamente deben ampliarse o añadirse a unidades / secciones con contención de arco para mantener la clasificación de contención al arco. Las unidades y secciones con contención de arco tienen etiquetas especiales que las identifica como AR (con clasificación de contención de arco), por lo general en los lugares que se muestran en la figura 132. El cliente debe proporcionar el número de pedido de fábrica anterior del CCM con contención de arco al solicitar de la fábrica equipo adicional de CCM con contención de arco.

Figura 132 –Ubicación típica de las etiquetas de clasificación de contención de arco en las secciones y unidades



Al solicitar equipo adicional para el CCM, incluya la siguiente información:

- Tipo de equipo
- Tensión de alimentación, frecuencia, tipo de sistema
- Tipo de gabinete
- Acabado del gabinete
- Frecuencia y tensión de los circuitos de control
- Componentes opcionales/necesarios para el circuito de control (transformadores de control, botones pulsadores, lámparas piloto, interruptores selectores, etc.)
- Funciones especiales
- El número de pedido de fábrica del CCM original (este número se encuentra estampado en la placa de datos en la estructura, en la puerta de la canalización de cables vertical; la etiqueta de la unidad dentro de cada unidad de control también contiene este número).

Al solicitar nuevas secciones verticales, también incluya la siguiente información:

- Capacidad de las barras horizontales y verticales, material y revestimiento metálico
- Soporte de refuerzo de las barras (o corriente de falla disponible)
- Dimensiones del gabinete

⚠ PELIGRO

PELIGRO DE DESCARGA ELÉCTRICA, EXPLOSIÓN O DESTELLO POR ARQUEO

- Utilice equipo de protección personal (EPP) apropiado y siga las prácticas de seguridad en trabajos eléctricos establecidas por su Compañía, consulte la norma 70E de NFPA o Z462 de CSA y NOM-029-STPS.
- Solamente el personal eléctrico especializado deberá instalar y prestar servicio de mantenimiento a este equipo.
- Desenergice el equipo antes de realizar cualquier trabajo en él.
- Siempre utilice un dispositivo detector de tensión nominal adecuado para confirmar la desenergización del equipo.
- Vuelva a colocar todos los dispositivos, las puertas y las cubiertas antes de energizar este equipo.

El incumplimiento de estas instrucciones podrá causar la muerte o lesiones serias.

Modificación de las unidades del CCM

La mayoría de las unidades del CCM han sido diseñadas para facilitar su desmontaje de la estructura del CCM. Algunas unidades no se pueden desmontar debido, principalmente, a su tamaño físico.

Desenergización del equipo e identificación del tipo de unidad

Determine si la unidad que desea modificar se puede desmontar o se encuentra en una posición fija. Todas las unidades desmontables tienen conexiones de lengüeta en la barra vertical, como se muestra en los esquemas y diagramas de la instalación eléctrica incluidos con el CCM. La mayoría de las unidades desmontables también cuentan con un mecanismo de levas con palancas gemelas (figura 95 en la página 94). Una de las excepciones es la unidad de control Compac 6 (figura 101 en la página 96), la cual se puede desmontar pero no tiene un mecanismo de levas con palancas gemelas.

NOTA: Las modificaciones de las unidades o estructuras del CCM con clasificación de contención de arco pueden afectar negativamente las funciones de contención de arco y/o el funcionamiento. Las modificaciones al alambrado del circuito de control están permitidas. Las modificaciones específicamente descritas en este boletín de instrucciones están permitidas. Sin embargo, componentes adicionales, cambios al circuito de alimentación o modificaciones mecánicas al montaje de una unidad o exteriores del CCM deben ser aprobados por Schneider Electric. Póngase en contacto con su representante local de Schneider Electric para obtener información adicional.

Si es posible desmontar la unidad, siga las instrucciones a continuación. Si la unidad se encuentra en una posición fija, siga las instrucciones en “Modificación de las unidades fijas”.

Modificación de unidades desmontables

1. Desenergice el equipo antes de realizar cualquier trabajo dentro de él y siga los procedimientos de bloqueo / etiquetado. Siempre utilice un dispositivo detector de tensión nominal adecuado para confirmar la desenergización del equipo.
2. Retire la unidad CCM de la estructura. Consulte el procedimiento delineado en “Servicio de mantenimiento de las unidades de control” en la página 90 de este manual.
3. Realice las modificaciones necesarias. Utilice tornillos autorroscantes para montar los dispositivos. No use pernos con tuercas, ya que podrían aflojarse con el tiempo y causar daño a la propiedad o lesiones personales. Los herrajes no deben extenderse más allá de 6 mm (0,25 pulg) de la parte posterior de la estructura de montaje del CCM ni más de 3 mm (0,125 pulg) a los lados y de la bandeja de montaje inferior.
4. Asegúrese de mantener el espacio¹ necesario para realizar las conexiones eléctricas entre las piezas vivas no aisladas de polaridad opuesta y las piezas de metal muertas no aisladas.
5. Utilice una aspiradora para retirar todo el material residual que pudiese haber quedado en la unidad al realizar las modificaciones. No use aire comprimido para soplar el material residual fuera de la unidad ya que es posible que partículas puedan quedarse dentro de la unidad.
6. Realice los procedimientos de servicio de mantenimiento recomendados, descritos en la página 90 de este manual.
7. Asegúrese de que los tapones de cierre de las barras verticales estén en su lugar (excepto el tapón donde se encajará la barra vertical). Si observa que algunos de los tapones de cierre de las barras verticales no están en su posición correcta, asegúrese de desenergizar la barra y vuelva a instalar los tapones.
8. Utilice un megóhmetro para realizar una prueba de resistencia al aislamiento, como se describe en la página 103.
9. Inspeccione la unidad CCM y retire cualquier obstrucción que pueda evitar su energización.
10. Vuelva a instalar la unidad CCM y siga los procedimientos delineado en “Energización del CCM” en la página 86 de este manual.

Modificación de las unidades fijas

1. Desenergice el equipo antes de realizar cualquier trabajo dentro de él y siga los procedimientos de bloqueo / etiquetado. Siempre utilice un dispositivo detector de tensión nominal adecuado para confirmar la desenergización del equipo.
2. Si es necesario perforar agujeros en la parte posterior de la estructura, no extienda la perforación más de 5 mm (0,1875 pulg), utilice un tope de broca para este procedimiento.
3. Realice las modificaciones necesarias. Utilice tornillos autorroscantes para montar los dispositivos. No use pernos con tuercas, ya que podrían aflojarse con el tiempo y causar daño a la propiedad o lesiones personales. Los herrajes no deben extenderse más allá de 6 mm (0,25 pulg) de la parte posterior de la estructura de montaje del CCM ni más de 3 mm (0,125 pulg) a los lados y de la bandeja de montaje inferior.

¹ El espacio necesario para las conexiones eléctricas está especificado en la norma 845 de UL, en las tablas 18 y 19. El espacio eléctrico en un circuito de control o medición o dentro de una unidad de control del motor (251-600 V) es de 10 mm (0,375 pulg) por el aire y 13 mm (0,5 pulg) sobre la superficie; para los circuitos de alimentación de unidades principales y alimentadoras, es de 25 mm (1 pulg) por el aire y 51 mm (2 pulg) sobre la superficie.

4. Asegúrese de mantener el espacio¹ necesario para realizar las conexiones eléctricas entre las piezas vivas no aisladas de polaridad opuesta y las piezas de metal muertas no aisladas.
5. Utilice una aspiradora para retirar todo el material residual que pudiese haber quedado en la unidad al realizar las modificaciones. No use aire comprimido para soplar el material residual fuera de la unidad ya que es posible que partículas puedan quedarse dentro de la unidad.
6. Realice los procedimientos de servicio de mantenimiento recomendados, descritos en la página 90 de este manual.
7. Utilice un megóhmetro para realizar una prueba de resistencia al aislamiento, como se describe en la página 103.
8. Siga los procedimientos en “Energización del CCM” en la página 86.

Instalación de unidades CCM adicionales

1. Desenergice el equipo antes de realizar cualquier trabajo dentro de él y siga los procedimientos de bloqueo / etiquetado. Siempre utilice un dispositivo detector de tensión nominal adecuado para confirmar la desenergización del equipo.
2. Coloque el entrepaño (artículo A en la figura 133) en el área apropiada de la estructura.

NOTA: Los CCM con clasificación de contención de arco tienen un entrepaño específicamente diseñado para los CCM con contención de arco (vea la figura 134 en la página 144). Este entrepaño incluye deflectores de reducción de presión del arco y deben utilizarse al instalar las unidades del CCM con contención de arco para mantener la clasificación de contención de arco.

Figura 133 –Instalación del entrepaño y de la puerta

Descripción	Cnt.	Ensamble según	Art.
Entrepaño	2 ^①	Pasos 2 y 3	A
Tornillos de cabeza plana	4	Paso 3	D
Puerta de la unidad	1	Paso 4	F
Tornillos de cabeza hexagonal	4 ^②	Pasos 4 y 5	H
Receptáculo de sujetador de 1/4 de vuelta	2 ^③	Paso 5	J

① El entrepaño viene incluido con su orden. Es posible que la estructura ya tenga instalado un entrepaño en esa ubicación.

② Se incluyen todos los herrajes necesarios para la instalación típica del entrepaño. La instalación de la puerta puede requerir herrajes adicionales.

③

Vea el detalle A

Detalle A

Vea el detalle A o B

Detalle B

Vea el detalle B

ESPAÑOL

Figura 134 –Entrepaño para los CCM con contención de arco

3. Coloque la base de montaje (B) del entrepaño en las ranuras de la bandeja de montaje (C). Sujete el entrepaño en el extremo de la pata de montaje, el lado izquierdo y el lado derecho con los tornillos de cabeza plana (detalle A, pieza D).
4. Instale las hojas abisagradas de la puerta (detalle A, E) en las ranuras de la bisagra (G), situadas en los canales de las esquinas de la estructura. Sujete las hojas abisagradas al canal de la esquina de la estructura utilizando los tornillos de cabeza hexagonal (H).
5. Instale los receptáculos del sujetador (detalle B, J) en las ranuras del soporte (K) y fíjelos con los tornillos de cabeza hexagonal (H).

Figura 135 –Corte en la tapa de la canalización de cables vertical (si fue provista)

6. Si la canalización de cables viene con tapas, localice la tapa en la canalización (vea la figura 135) que se encuentre más cercana a la parte inferior de la unidad de control. Corte la tapa de la canalización de cables según las instrucciones en la tapa. Lea el segundo párrafo bajo “Alambrado de carga y de control” en la página 79.

7. Desmonte las persianas manuales de la barra (vea la figura 136) para permitirle insertar la nueva unidad de control; deslice hacia fuera la persiana de la barra superior.

NOTA: No retire el cordón.

Figura 136 –Desmontaje de la persiana manual de la barra



8. Inserte la unidad en el CCM de la siguiente manera:

Todas las unidades excepto las unidades Compac 6 (6 pulgadas de alto)

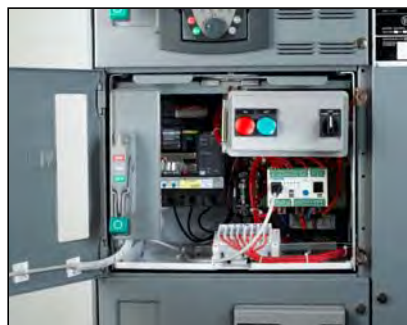
- a. Cerciórese de que el mecanismo de leva esté en la posición de abierto; coloque las deslizaderas de montaje de la unidad de control sobre las ranuras de los entrepaños intermedios. Deslice la unidad hacia el interior para enganchar el mecanismo de leva (figura 137).

Figura 137 –Enganche del mecanismo de leva



- b. Presione las palancas hacia dentro hasta que queden a ras con la parte frontal del CCM (figura 138).

Figura 138 –Palancas a ras con el frente del CCM



- c. Gire el tornillo en el panel de bloqueo de la unidad de control (si fue provisto) situado al frente en la parte inferior de la unidad de control (figura 139), hasta enganchar el trinquete de bloqueo en el entrepaño de soporte debajo de la unidad de control.

Figura 139 –Apriete de los herrajes del panel de bloqueo de la unidad de control (si fue provisto)

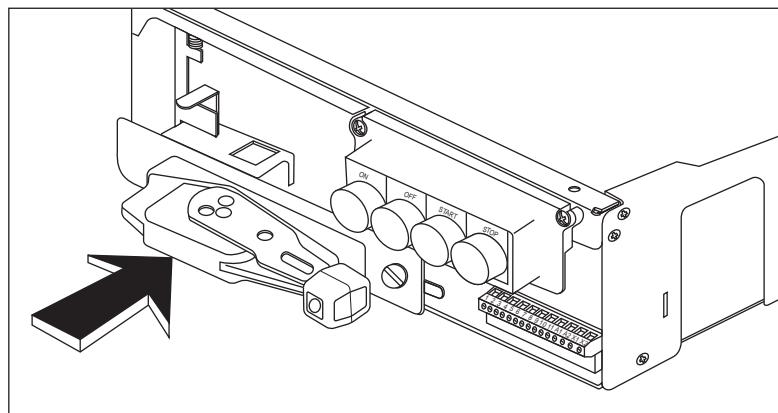


Unidades Compac 6 (6 pulgadas de alto)

- a. Coloque las deslizaderas de montaje de la unidad de control sobre las ranuras de los entrepaños intermedios. Deslice la unidad hacia el interior hasta que quede a la mitad, luego desplácela hacia el interior dándole un empujón rápido. Este movimiento facilita la compresión de las lengüetas a medida que enganchan la barra vertical (figura 140).

NOTA: El enclavamiento se comprime por resorte y se engancha automáticamente al insertar la unidad de control con un empuje firme en la palanca de funcionamiento. No es necesario oprimir el seguro de enclavamiento de la estructura.

Figura 140 –Re-instalación de la unidad de control Compac 6



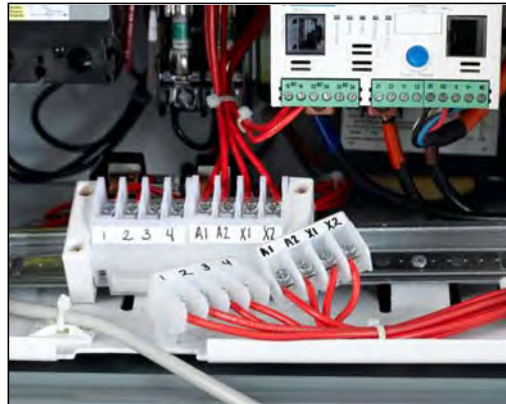
9. Tire los conductores de alimentación desde la canalización de cables vertical por la tapa y en la unidad de control.

Todas las unidades excepto las unidades Compac 6 (6 pulgadas de alto)

- a. Conecte los conductores de alimentación a las terminales de alimentación en la unidad de control (figura 141).

NOTA: Para proporcionar espacio libre adicional y efectuar cualquier trabajo, con la mano tome la placa de la estación de control situada en el lado derecho y júlela suavemente para abrirla por la bisagra (figura 143).

Figura 141 –Conductores de alimentación conectados a las terminales de alimentación



Unidades Compac 6 (6 pulgadas de alto)

- a. Conecte los conductores de alimentación a las terminales de alimentación del arrancador. Consulte la etiqueta de valores de par de apriete en la pared interior derecha de la unidad para conocer los requisitos de los cables de las terminales de carga y el par de apriete de éstas (figura 142).

NOTA: Puede ser necesario extraer la placa de la estación de control para instalar el alambrado de control y alimentación. Consulte el paso 4 en la página 97 para obtener más detalles sobre cada paso.

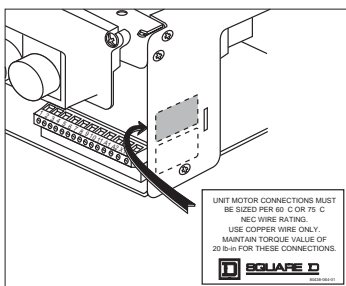
- 10. Jale los conductores de control de la canalización de cables vertical e introdúzcalos por la tapa y conéctelos a las terminales en la parte superior (removible) de los bloques de terminales de control desprendibles (figuras 143 y 144).

Todas las unidades excepto las unidades Compac 6 (6 pulgadas de alto)

Figura 143 –Conexión de los conductores de control en los bloques de terminales

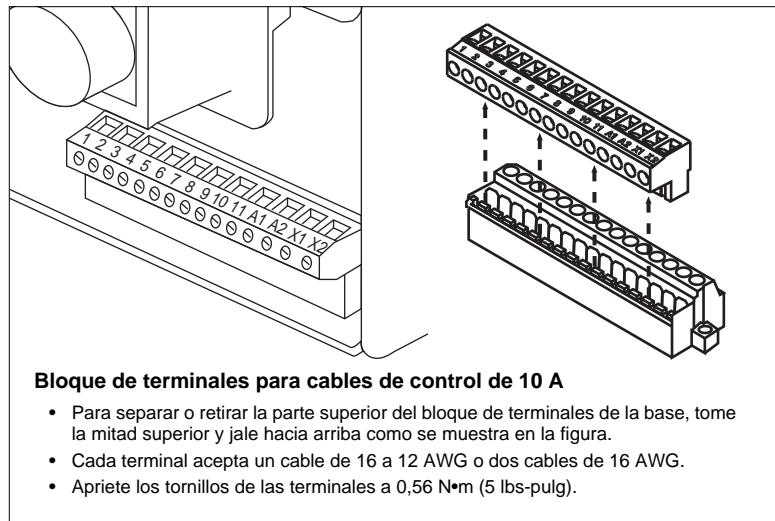


Figura 142 –Etiqueta de par de apriete de una unidad típica



Unidades Compac 6 (6 pulgadas de alto)

Figura 144 –Bloque de terminales desprendible



NOTA: Si fue necesario extraer la placa de la estación de control, vuelva a colocar la placa invirtiendo los pasos utilizados para extraerla (paso 4 en la página 97).

11. Cierre la puerta de la unidad y asegure los sujetadores.

Sección 11—Diagnóstico de problemas

⚠ PELIGRO

PELIGRO DE DESCARGA ELÉCTRICA, EXPLOSIÓN O DESTELLO POR ARQUEO

- Utilice equipo de protección personal (EPP) apropiado y siga las prácticas de seguridad en trabajos eléctricos establecidas por su Compañía, consulte la norma 70E de NFPA o Z462 de CSA y NOM-029-STPS.
- Solamente el personal eléctrico especializado deberá instalar y prestar servicio de mantenimiento a este equipo.
- Desenergice el equipo antes de realizar cualquier trabajo en él.
- Siempre utilice un dispositivo detector de tensión nominal adecuado para confirmar la desenergización del equipo.
- Vuelva a colocar todos los dispositivos, las puertas y las cubiertas antes de energizar este equipo.

El incumplimiento de estas instrucciones podrá causar la muerte o lesiones serias.

La siguiente tabla enumera los problemas que se han encontrado con los CCM, sus causas y soluciones. Esta tabla es de carácter general y trata sólo sobre las causas principales de los problemas.

El uso indebido de un dispositivo puede crear problemas serios; sin embargo, en lugar de enumerar esta causa repetidamente, tenga en cuenta que ésta es una de las causas principales de los problemas de control de motores y siempre deberá ponerse en duda cuando el dispositivo no funciona correctamente.

Daño físico real o piezas dañadas, por lo general, se pueden localizar y reparar rápidamente. El daño causado por agua o inundaciones requiere un trato especial. Póngase en contacto con su representante de ventas local de Schneider Electric.

NOTA: Los CCM con clasificación de contención de arco dañados deben ser inspeccionados, reparados y re-calificados por personal de Schneider Electric Services para mantener la clasificación de contención de arco.

Tabla 17 – Diagnóstico de problemas de los centros de control de motores

Pieza	Problema	Causa	Solución
Contactos	Vibración de los contactos (consulte también imán ruidoso)	<ol style="list-style-type: none"> Mal contacto en el circuito de control. Baja tensión. 	<ol style="list-style-type: none"> Sustituya el dispositivo de contactos o use un enclavamiento de circuito de sostén (control de 3 hilos). Verifique la tensión de la terminal de la bobina y las caídas de tensión durante el arranque.
	Soldadura o congelación	<ol style="list-style-type: none"> Corriente de irrupción anormal. Marcha rápida paso a paso. Presión insuficiente en la punta. Baja tensión que evita el cierre hermético del imán. Material extraño evita que los contactos se cierren. Cortocircuito o falla a tierra. 	<ol style="list-style-type: none"> Revise el equipo para ver si encuentra tierras, cortocircuitos o corriente de carga excesiva en el motor, o use un contactor más grande. Instale un dispositivo más grande adecuado para el servicio de marcha paso a paso. Sustituya los contactos y los resortes. Revise los portacontactos para ver si encuentra deformaciones o daños. Verifique la tensión de la terminal de la bobina y las caídas de tensión durante el arranque. Limpie los contactos con un limpiador de contactos ecológico (libre de CFC). Elimine la falla. Asegúrese de que los tamaños de fusible e interruptor automático sean apropiados.
	Vida corta de la unidad de disparo o sobrecalentamiento o disparos	<ol style="list-style-type: none"> Limado o pulido Interrupción excesiva de corrientes altas. Marcha paso a paso excesiva. Presión débil en la punta. Suciedad o materia extraña en las superficies de contacto. Cortocircuito o falla a tierra. Conexión floja en el circuito de alimentación. Sobrecarga sostenida. 	<ol style="list-style-type: none"> No lime las puntas de plata; las manchas gruesas o decoloración no dañan las puntas ni deterioran su eficiencia. Instale un dispositivo más grande o revise el equipo para ver si encuentra tierras, cortocircuitos o corriente de carga excesiva en el motor. Instale un dispositivo más grande adecuado para el servicio de marcha paso a paso. Sustituya los contactos y los resortes, revise los portacontactos para ver si encuentra deformaciones o daños. Limpie los contactos con un limpiador de contactos ecológico (libre de CFC). Reduzca la penetración de materia extraña dentro del gabinete. Elimine la falla; asegúrese de que los tamaños de fusible e interruptor automático sean apropiados. Limpie y apriete las conexiones. Revise el equipo para ver si encuentra corriente de carga excesiva en el motor, o instale un dispositivo más grande.
Bobinas	Circuito abierto	Daño mecánico.	Sustituya la bobina; almacene y maneje las bobinas de repuesto cuidadosamente.
	Bobina excesivamente caliente	<ol style="list-style-type: none"> Sobretensión o temperatura ambiente muy alta. Bobina incorrecta. Vueltas en cortocircuito debido a daño mecánico o corrosión. Baja tensión; el imán no cierra herméticamente. Suciedad u óxido en las superficie de los polos. Obstrucción mecánica. 	<ol style="list-style-type: none"> Revise la tensión de la terminal de la bobina. No deberá exceder el 110% de la tensión nominal. Instale la bobina correcta. Sustituya la bobina. Revise la tensión de la terminal de la bobina. No debe ser menor que el 85% del valor nominal de la bobina. Limpie las superficies de los polos. Con el equipo <i>desenergizado</i>, asegúrese de que se muevan libremente el ensamble de contactos y la armadura.

Tabla 17 – Diagnóstico de problemas de los centros de control de motores (continuación)

Pieza	Problema	Causa	Solución
Relevadores de sobrecarga térmica	Disparo	<ol style="list-style-type: none"> Sobrecarga sostenida. Conexión floja o corroída en el circuito de alimentación. Elementos térmicos incorrectos. Tensión excesiva en la bobina. 	<ol style="list-style-type: none"> Revise el equipo para ver si encuentra corriente de carga excesiva en el motor o desequilibrio de corriente; corrija la causa. Limpie y apriete las conexiones. Sustituya los elementos térmicos con el tamaño apropiado para la aplicación. La tensión no deberá exceder el 110% del valor nominal de la bobina.
	No se dispara	<ol style="list-style-type: none"> Elementos térmicos incorrectos. Sujeción mecánica, suciedad, corrosión, etc. Relevador dañado anteriormente con un cortocircuito. Contacto del relevador soldado o no conectado en serie con la bobina del contactor. 	<ol style="list-style-type: none"> Verifique la tabla de selección de los elementos térmicos. Instale los elementos térmicos apropiados. Sustituya el relevador y los elementos térmicos. Sustituya el relevador y los elementos térmicos. Revise el circuito para determinar la falla y corrija el problema. Sustituya el contacto o todo el relevador si es necesario.
Relevadores de sobrecarga Motor Logic™	El relevador de sobrecarga se dispara durante el arranque (después de más de 3 segundos).	<ol style="list-style-type: none"> La carga es demasiada para la capacidad del motor. Ajuste incorrecto de clase de disparo por sobrecarga para la aplicación. Ajuste incorrecto de los APC del relevador de sobrecarga. Use frenado electrónico por inyección de --- (c.d.). 	<ol style="list-style-type: none"> Retire la carga excesiva del motor o modifique el tamaño de motor. Utilice un relevador de sobrecarga con disparo clase 20 en lugar de clase 10. Ajuste los APC según la corriente a plena carga del motor. No utilice frenado electrónico por inyección de --- (c.d.) con el relevador de sobrecarga de estado sólido.
	El relevador de sobrecarga se dispara durante el arranque (en menos de 3 segundos).	<ol style="list-style-type: none"> Fusible quemado del circuito derivado del motor. Circuito derivado del motor flojo. El circuito del motor no es de 3 fases. Desequilibrio de tensión en el alimentador. Uno o más devanados del motor dañados. Pérdida de fase en el primario de un transformador estrella-delta o delta-estrella. Uno o más conductores de carga no pasan por la ventana del relevador o han sido dirigidos en dirección opuesta. El número de vueltas del conductor de carga es diferente. 	<ol style="list-style-type: none"> Sustituya los fusibles quemados del circuito derivado del motor. Apriete la conexión del circuito derivado del motor. Seleccione un tipo de relevador de sobrecarga diferente para las aplicaciones que no sean de 3 fases. Corrija el desequilibrio de tensión en el alimentador. Revise la impedancia de los devanados del motor. Vuelva a bobinar si es necesario. Sustituya los fusibles quemados o apriete las conexiones sueltas. Pase cada conductor de carga por su ventana respectiva en la misma dirección. Cada conductor de carga debe tener el mismo número de vueltas.
	El relevador de sobrecarga se dispara mientras funciona normalmente.	<ol style="list-style-type: none"> La carga es demasiada para la capacidad del motor. Ajuste incorrecto de los APC del relevador de sobrecarga. Use frenado electrónico por inyección de --- (c.d.). Ajuste incorrecto de los APC del relevador de sobrecarga (aplicaciones de varias vueltas). 	<ol style="list-style-type: none"> Retire la carga excesiva del motor o modifique el tamaño de motor. Ajuste los APC según la corriente a plena carga del motor. No utilice frenado electrónico por inyección de --- (c.d.) con el relevador de sobrecarga de estado sólido. Vuelva a calcular el ajuste de los APC y ajuste según la corriente a plena carga del motor y número de vueltas en bucle.

ESPAÑOL

Tabla 17 – Diagnóstico de problemas de los centros de control de motores (continuación)

Pieza	Problema	Causa	Solución
TeSys™ T	Fallas internas menores	Error de configuración no válido	Indica ya sea una mala suma ¹ de comprobación (Config checksum error) o una buena suma de comprobación pero con datos incorrectos (Invalid config error). Ambos causados por falla de hardware. Siga los siguientes pasos: 1. Apague y encienda la alimentación del sistema y espere 30 segundos. 2. Vuelva a ajustar los valores de las configuraciones en los ajustes de fábrica. 3. Si la falla persiste, sustituya el controlador TeSys T.
		Error de configuración en la suma de comprobación (EEROM)	
		Falla de comunicación en la red interna	Estas fallas indican una falla de hardware. Siga los siguientes pasos: 1. Apague y encienda la alimentación del sistema y espere 30 segundos. 2. Si la falla persiste, sustituya el controlador TeSys T.
		Error de A/D fuera de gama	
TeSys™ T	Errores de diagnóstico	Comprobación comando de arranque	Revise lo siguiente: • salidas de relé • todo el alambrado incluyendo: – el circuito de los cables de control y todos los dispositivos electromecánicos – el circuito de los cables de alimentación y todos sus componentes – los cables del TC de carga. Después de haber completado todas las comprobaciones: 1. Realice un restablecimiento de fallas. 2. Si la falla persiste, apague y vuelva a encender la alimentación del sistema y espere 30 segundos. 3. Si la falla todavía persiste, sustituya el controlador TeSys T.
		Comprobación del comando de paro	
		De regreso a la comprobación de paro	
		De regreso a la comprobación de ejecución	

Tabla 17 – Diagnóstico de problemas de los centros de control de motores (continuación)

Pieza	Problema	Causa	Solución
TeSys T	Errores de configuración/ alambrado	Error de inversión del TC	Corrija la polaridad de los TC. Asegúrese de que: <ul style="list-style-type: none"> • todos los TC externos estén orientados en la misma dirección • todos los cables de carga del TC pasen por las ventanas en la misma dirección Después de haber completado todas las comprobaciones: <ol style="list-style-type: none"> 1. Realice un restablecimiento de fallas. 2. Si la falla persiste, apague y vuelva a encender la alimentación del sistema y espere 30 segundos. 3. Si la falla todavía persiste, sustituya el controlador TeSys T.
		Error de inversión de fase de corriente/tensión	Compruebe que: <ul style="list-style-type: none"> • las conexiones de los cables L1, L2 y L3 no estén cruzadas • ajuste de los parámetros de secuencia de fases del motor (ABC contra ACB)
		Error de configuración de fase	Después de haber completado todas las comprobaciones: <ol style="list-style-type: none"> 1. Realice un restablecimiento de fallas. 2. Si la falla persiste, apague y vuelva a encender la alimentación del sistema y espere 30 segundos. 3. Si la falla todavía persiste, sustituya el controlador TeSys T.
		Error de conexión de la sonda PTC	Compruebe que: <ul style="list-style-type: none"> • no haya un cortocircuito o circuito abierto en los cables del sensor de temperatura del motor • dispositivo detector de temperatura del motor incorrecto • configuración incorrecta de los parámetros del dispositivo seleccionado Después de haber completado todas las comprobaciones: <ol style="list-style-type: none"> 1. Realice un restablecimiento de fallas. 2. Si la falla persiste, apague y vuelva a encender la alimentación del sistema y espere 30 segundos. 3. Si la falla todavía persiste, sustituya el controlador TeSys T.
		Error de pérdida de fase de tensión	Compruebe que: <ul style="list-style-type: none"> • los cables estén correctamente conectados y que no haya terminaciones sueltas • si hay algún fusible quemado • no haya cables cortados • motor de una fase configurado para funcionamiento de 3 fases • conexión incorrecta del motor de una fase que pasa por ambas ventanas A y C del TC (lado de carga) • falla de la fuente de alimentación (por ejemplo, falla de alimentación proveniente de la compañía suministradora) Después de haber completado todas las comprobaciones: <ol style="list-style-type: none"> 1. Realice un restablecimiento de fallas. 2. Si la falla persiste, apague y vuelva a encender la alimentación del sistema y espere 30 segundos. 3. Si la falla todavía persiste, sustituya el controlador TeSys T.

ESPAÑOL

Tabla 17 – Diagnóstico de problemas de los centros de control de motores (continuación)

Pieza	Problema	Causa	Solución
Piezas magnéticas y mecánicas	Imán ruidoso	<ol style="list-style-type: none"> 1. Bobina de sombra dañada. 2. Suciedad u óxido en las superficies del imán. 3. Baja tensión. 	<ol style="list-style-type: none"> 1. Sustituya el imán y la armadura. 2. Limpie el imán con un paño limpio y seco. 3. Verifique la tensión de la terminal de la bobina y las caídas de tensión durante el arranque.
	No se pueden pasar a la posición de trabajo o cerrar herméticamente	<ol style="list-style-type: none"> 1. No hay tensión de control. 2. Baja tensión. 3. Obstrucción mecánica. 4. Bobina abierta o muy caliente. 5. Bobina incorrecta. 	<ol style="list-style-type: none"> 1. Revise los cables del circuito de control para ver si encuentran conexiones sueltas o mala continuidad en los contactos. 2. Cerciórese de que la tensión de la terminal de la bobina sea la correcta y verifique las caídas de tensión durante el arranque. 3. Con el equipo desenergizado, asegúrese de que se muevan libremente el ensamble de contactos y armadura. 4. Sustituya la bobina. 5. Sustituya la bobina.
	No se pueden pasar a la posición de reposo	<ol style="list-style-type: none"> 1. Sustancia pegajosa en las superficies de los polos. 2. Tensión presente. 3. Piezas desgastadas o corroídas que causan problemas de sujeción. 4. Magnetismo residual debido a la falta de separación en la trayectoria del imán. 5. Contactos soldados. 	<ol style="list-style-type: none"> 1. Limpie las superficies de los polos con un paño limpio y seco. 2. Verifique la tensión de la terminal de la bobina y del circuito de control. 3. Sustituya las piezas. 4. Sustituya el imán y la armadura. 5. Consulte Contactos—Soldadura o congelación
Temporizadores neumáticos	Tiempo errático	Materia extraña en la válvula.	Sustituya toda la cabeza de temporización o devuelva el temporizador a la fábrica para que le realicen ajustes y reparaciones.
	Los contactos no funcionan	<ol style="list-style-type: none"> 1. El tornillo de activación está mal ajustado. 2. Piezas rotas o desgastadas en el interruptor de resorte. 	<ol style="list-style-type: none"> 1. Ajústelo de acuerdo con las instrucciones en el boletín de servicio. 2. Sustituya el interruptor de resorte.
Interruptores de límite	Piezas rotas	Sobrerrecorrido del accionador.	Utilice un accionador de elasticidad o haga funcionar el equipo dentro de sus límites de tolerancia.
Arrancadores manuales	No se restablecen	Mecanismo de enclavamiento desgastado o roto.	Sustituya el arrancador.

Sección 12—Resistencia de aislamiento

ESPAÑOL

NOTA: Desconecte todos los dispositivos de estado sólido, por ejemplo, los SPD, variadores, arrancadores suaves, capacitores, filtros, medidores de potencia, y monitores de circuitos antes de realizar pruebas con un megóhmetro en el CCM.

⚠ PELIGRO

PELIGRO DE DESCARGA ELÉCTRICA, EXPLOSIÓN O DESTELLO POR ARQUEO

- Utilice equipo de protección personal (EPP) apropiado y siga las prácticas de seguridad en trabajos eléctricos establecidas por su Compañía, consulte la norma 70E de NFPA o Z462 de CSA y NOM-029-STPS.
- Solamente el personal eléctrico especializado deberá instalar y prestar servicio de mantenimiento a este equipo.
- Desenergice el equipo antes de realizar cualquier trabajo en él.
- Siempre utilice un dispositivo detector de tensión nominal adecuado para confirmar la desenergización del equipo.
- Vuelva a colocar todos los dispositivos, las puertas y las cubiertas antes de energizar este equipo.
- Siga las instrucciones en “Prueba de aislamiento” on page 103.

El incumplimiento de estas instrucciones podrá causar la muerte o lesiones serias.

Fase a fase	Fase a tierra
--------------------	----------------------

Todos los dispositivos de desconexión abiertos

Fecha	A-B	B-C	C-A	A-Tierra	B-Tierra	C-Tierra

Todos los dispositivos de desconexión cerrados

Fecha	A-B	B-C	C-A	A-Tierra	B-Tierra	C-Tierra

Selección de los elementos térmicos del relevador de sobrecarga

Esta sección identifica los elementos térmicos de los relevadores de sobrecarga necesarios para los arrancadores especificados en un pedido. Las tablas se han basado en la corriente a plena carga del motor y proporcionan el número de catálogo para los elementos térmicos apropiados que se utilizarán en esa corriente nominal.

Tablas de selección de los elementos térmicos para los relevadores de sobrecarga de aleación fusible para los arrancadores combinados

Tamaño 1

Corriente a plena carga del motor (A)	Número de elemento térmico	Corriente a plena carga del motor (A)	Número de elemento térmico
0,56–0,63	B 0.81	4,12–4,70	B 6.90
0,64–0,68	B 0.92	4,71–5,21	B 7.70
0,69–0,77	B 1.03	5,22–5,53	B 8.20
0,78–0,85	B 1.16	5,54–6,17	B 9.10
0,86–0,97	B 1.30	6,18–7,02	B 10.2
0,98–1,09	B 1.45	7,03–7,92	B 11.5
1,10–1,21	B 1.67	7,93–8,61	B 12.8
1,22–1,33	B 1.88	8,62–9,17	B 14
1,34–1,53	B 2.10	9,18–10,0	B 15.5
1,54–1,73	B 2.40	10,1–11,0	B 17.5
1,74–1,89	B 2.65	11,1–11,8	B 19.5
1,90–2,17	B 3.00	11,9–13,5	B 22
2,18–2,53	B 3.30	13,6–15,3	B 25
2,54–2,87	B 3.70	15,4–17,4	B 28
2,88–3,22	B 4.15	17,5–19,4	B 32
3,23–3,49	B 4.85	19,5–22,2	B 36
3,50–3,85	B 5.50	22,3–25,1	B 40
3,86–4,11	B 6.25	25,2–27,0	B 45

Tamaño 2

Corriente a plena carga del motor (A)	Número de elemento térmico	Corriente a plena carga del motor (A)	Número de elemento térmico
3,94–4,45	B 6.90	14,0–15,8	B 25
4,46–4,97	B 7.70	15,9–17,9	B 28
4,98–5,28	B 8.20	18,0–19,9	B 32
5,29–5,97	B 9.10	20,0–22,8	B 36
5,98–6,89	B 10.2	22,9–25,4	B 40
6,90–7,92	B 11.5	25,5–28,9	B 45
7,93–8,71	B 12.8	29,0–30,8	B 50
8,72–9,27	B 14.0	30,9–32,5	B 56
9,28–10,2	B 15.5	32,6–34,9	B 62
10,3–11,4	B 17.5	35,0–39,7	B 70
11,5–12,3	B 19.5	39,8–44,7	B 79
12,4–13,9	B 22		

Tamaño 3

Corriente a plena carga del motor (A)	Número de elemento térmico	Corriente a plena carga del motor (A)	Número de elemento térmico
14,0–14,9	CC 20.9	36,9–39,8	CC 59.4
15,0–16,2	CC 22.8	39,9–42,3	CC 64.3
16,3–17,2	CC 24.6	42,4–45,7	CC 68.5
17,3–18,7	CC 26.3	45,8–49,2	CC 74.6
18,8–20,2	CC 28.8	49,3–52,8	CC 81.5
20,3–21,7	CC 31.0	52,9–56,8	CC 87.7
21,8–23,3	CC 33.3	56,9–61,2	CC 94.0
23,4–25,2	CC 36.4	61,3–66,1	CC 103
25,3–27,1	CC 39.6	66,2–71,2	CC 112
27,2–29,4	CC 42.7	71,3–76,7	CC 121
29,5–31,6	CC 46.6	76,8–82,9	CC 132
31,7–34,0	CC 50.1	83,0–90,0	CC 143
34,1–36,8	CC 54.5		

Tamaño 4

Corriente a plena carga del motor (A)	Número de elemento térmico	Corriente a plena carga del motor (A)	Número de elemento térmico
44,0–46,8	CC 64.3	73,0–78,1	CC 112
46,9–50,6	CC 68.5	78,2–83,9	CC 121
50,7–54,5	CC 74.6	84,0–91,1	CC 132
54,6–58,4	CC 81.5	91,2–97,5	CC 143
58,5–62,9	CC 87.7	97,6–104	CC 156
63,0–67,7	CC 94.0	105–113	CC 167
67,8–72,9	CC 103	114–133	CC 180

Tablas de selección de los elementos térmicos para los relevadores de sobrecarga de aleación fusible para los arrancadores combinados (cont.)

Tamaño 5—relevadores de sobrecarga sin TC

Corriente a plena carga del motor (A)	Número de elemento térmico	Corriente a plena carga del motor (A)	Número de elemento térmico
88,2–95,1	DD 112	171–180	DD 220
95,2–101	DD 121	181–197	DD 240
102–111	DD 128	198–204	DD 250
112–119	DD 140	205–213	DD 265
120–131	DD 150	214–237	DD 280
132–149	DD 160	238–243	DD 300
150–170	DD 185	244–266	DD 320

Tamaño 5—relevadores de sobrecarga con TC e interruptores automáticos

Corriente a plena carga del motor (A)	Número de elemento térmico	Corriente a plena carga del motor (A)	Número de elemento térmico
40,8–45,5	B 1.03	115–128	B 3.00
45,6–49,9	B 1.16	129–140	B 3.30
51,0–57,5	B 1.30	141–160	B 3.70
57,6–65,9	B 1.45	161–193	B 4.15
66,0–73,1	B 1.67	194–209	B 4.85
73,2–81,5	B 1.88	210–232	B 5.50
81,6–92,3	B 2.10	233–248	B 6.25
92,4–104	B 2.40	249–266	B 6.90
105–114	B 2.65		

Tamaño 5—relevadores de sobrecarga con TC e interruptores desconectores fusibles

Corriente a plena carga del motor (A)	Número de elemento térmico	Valor nominal máx. del fusible (A)	Corriente a plena carga del motor (A)	Número de elemento térmico	Valor nominal máx. del fusible (A)
40,8–45,5	B 1.03	90	115–128	B 3.00	250
45,6–49,9	B 1.16	100	129–140	B 3.30	250
51,0–57,5	B 1.30	110	141–160	B 3.70	300
57,6–65,9	B 1.45	125	161–193	B 4.15	350
66,0–73,1	B 1.67	125	194–209	B 4.85	400
73,2–81,5	B 1.88	150	210–232	B 5.50	400
84,6–92,3	B 2.10	175	233–248	B 6.25	400
92,4–104	B 2.40	200	249–266	B 6.90	400
105–114	B 2.65	225			

Tamaño 6

Corriente a plena carga del motor (A)	Número de elemento térmico	Corriente a plena carga del motor (A)	Número de elemento térmico
133–148	B 1.30	272–308	B 2.65
149–174	B 1.45	309–348	B 3.00
175–195	B 1.67	349–397	B 3.30
196–219	B 1.88	398–429	B 3.70
220–239	B 2.10	430–495	B 4.15
240–271	B 2.40	496–520	B 4.85

Tablas de selección de los elementos térmicos para los relevadores de sobrecarga de aleación fusible para los arrancadores combinados de motor con devanado fraccionario
Tamaño 1

Corriente a plena carga del motor (A)	Número de elemento térmico	Corriente a plena carga del motor (A)	Número de elemento térmico
1,12–1,27	B 0.81	8,24–9,41	B 6.90
1,28–1,37	B 0.92	9,42–10,43	B 7.70
1,38–1,55	B 1.30	10,44–11,07	B 8.20
1,56–1,71	B 1.16	11,08–12,35	B 9.10
1,72–1,95	B 1.30	12,36–14,05	B 10.2
1,96–2,19	B 1.45	14,06–15,85	B 11.5
2,20–2,43	B 1.67	15,86–17,23	B 12.8
2,44–2,67	B 1.88	17,24–18,35	B 14
2,68–3,07	B 2.10	18,36–20,1	B 15.5
3,08–3,47	B 2.40	20,2–22,1	B 17.5
3,48–3,79	B 2.65	22,2–23,7	B 19.5
3,80–4,35	B 3.00	23,8–27,1	B 22
4,36–5,07	B 3.30	27,2–30,7	B 25
5,08–5,75	B 3.70	30,8–34,9	B 28
5,76–6,45	B 4.15	35,0–38,9	B 32
6,46–6,99	B 4.85	39,0–44,5	B 36
7,00–7,71	B 5.50	44,6–50,3	B 40
7,72–8,23	B 6.25	50,4–54,0	B 45

Tamaño 2

Corriente a plena carga del motor (A)	Número de elemento térmico	Corriente a plena carga del motor (A)	Número de elemento térmico
7,88–8,91	B 6.90	24,8–27,9	B 22
8,92–9,95	B 7.70	28,0–31,7	B 25
9,96–10,57	B 8.20	31,8–35,9	B 28
10,58–11,95	B 9.10	36,0–39,9	B 32
11,96–13,79	B 10.2	40,0–45,7	B 36
13,80–15,85	B 11.5	45,8–50,9	B 40
15,86–17,43	B 12.8	51,0–61,7	B 45
17,44–18,55	B 14.0	61,8–65,1	B 50
18,56–20,5	B 15.5	65,2–69,9	B 56
20,6–22,9	B 17.5	70,0–79,5	B 62
23,0–24,7	B 19.5	79,6–89,4	B 70

Tamaño 3

Corriente a plena carga del motor (A)	Número de elemento térmico	Corriente a plena carga del motor (A)	Número de elemento térmico
28,0–29,9	CC 20.9	73,8–79,7	CC 59.4
30,0–32,5	CC 22.8	79,8–84,7	CC 64.3
32,6–34,5	CC 24.6	84,8–91,5	CC 68.5
34,6–37,5	CC 26.3	91,6–98,5	CC 74.6
37,6–40,5	CC 28.8	98,6–105,7	CC 81.5
40,6–43,5	CC 31.0	105,8–113,7	CC 87.7
43,6–46,7	CC 33.3	113,8–122,5	CC 94.0
46,8–50,5	CC 36.4	122,6–132,3	CC 103
50,6–54,3	CC 39.6	132,4–142,5	CC 112
54,4–58,9	CC 42.7	142,6–153,5	CC 121
59,0–63,3	CC 46.6	153,6–165,9	CC 132
63,4–68,1	CC 50.1	166,0–180,0	CC 143
68,2–73,7	CC 54.5		

Tamaño 4

Corriente a plena carga del motor (A)	Número de elemento térmico	Corriente a plena carga del motor (A)	Número de elemento térmico
105–112	CC 74.6	170–181	CC 132
113–122	CC 81.5	182–195	CC 143
123–131	CC 87.7	196–209	CC 156
132–142	CC 94.0	210–227	CC 167
143–153	CC 103	228–247	CC 180
154–157	CC 112	248–266	CC 196
158–169	CC 121		

Tablas de selección de los elementos térmicos para el relevador de sobrecarga de aleación fusible para los arrancadores combinados de motor con devanado fraccionario (cont.)

Tamaño 5—relevadores de sobrecarga sin TC

Corriente a plena carga del motor (A)	Número de elemento térmico	Corriente a plena carga del motor (A)	Número de elemento térmico
176–190	DD 112	342–361	DD 220
191–203	DD 121	362–395	DD 240
204–223	DD 128	396–409	DD 250
224–239	DD 140	410–427	DD 265
240–253	DD 150	428–475	DD 289
254–299	DD 160	476–487	DD 300
300–341	DD 185	488–532	DD 320

Tamaño 5—relevadores de sobrecarga con TC e interruptores automáticos

Corriente a plena carga del motor (A)	Número de elemento térmico	Corriente a plena carga del motor (A)	Número de elemento térmico
81,6–91,1	B 1.03	230–257	B 3.00
91,2–101	B 1.16	258–281	B 3.30
102–115	B 1.30	282–321	B 3.70
116–131	B 1.45	322–387	B 4.15
132–146	B 1.67	388–419	B 4.85
147–163	B 1.84	420–465	B 5.50
164–184	B 2.10	466–497	B 6.25
185–209	B 2.40	496–532	B 6.90
210–229	B 2.65		

Tamaño 5—relevadores de sobrecarga con TC e interruptores desconectores fusibles

Corriente a plena carga del motor (A)	Número de elemento térmico	Corriente a plena carga del motor (A)	Número de elemento térmico
81,6–91,1	B 1.03	230–257	B 3.00
91,2–101	B 1.16	258–281	B 3.30
102–115	B 1.30	282–321	B 3.70
116–131	B 1.45	322–387	B 4.15
132–146	B 1.67	388–419	B 4.35
147–163	B 1.88	420–465	B 5.60
164–184	B 2.10	466–497	B 6.25
185–209	B 2.40	498–532	B 6.90
210–229	B 2.65		

Tablas de selección de los elementos térmicos para los relevadores de sobrecarga bimetálicos compensados por la temperatura ambiente para los arrancadores combinados

Tamaño 1

Corriente a plena carga del motor (A)	Número de elemento térmico	Corriente a plena carga del motor (A)	Número de elemento térmico
0,57–0,60	AR 1.05	3,46–3,81	AR 5.8
0,61–0,66	AR 1.15	3,82–4,20	AR 6.4
0,67–0,73	AR 1.26	4,21–4,65	AR 7.0
0,74–0,81	AR 1.39	4,66–5,29	AR 7.7
0,82–0,90	AR 1.53	5,30–5,84	AR 8.5
0,91–1,05	AR 1.68	5,85–6,27	AR 9.3
1,06–1,15	AR 1.85	6,28–6,97	AR 10.2
1,16–1,25	AR 2.04	6,98–7,59	AR 11.2
1,26–1,35	AR 2.24	7,60–7,89	AR 12.4
1,36–1,47	AR 2.46	7,90–8,95	AR 13.6
1,48–1,58	AR 2.71	8,96–10,3	AR 15.4
1,59–1,74	AR 2.98	10,4–11,7	AR 17.6
1,75–1,94	AR 3.28	11,8–13,3	AR 20.5
1,95–2,20	AR 3.62	13,4–15,2	AR 23
2,21–2,47	AR 3.98	15,3–17,2	AR 27
2,48–2,76	AR 4.37	17,3–19,7	AR 30
2,77–3,07	AR 4.80	19,8–22,4	AR 35
3,08–3,45	AR 5.3	22,5–26,0	AR 40

Tamaño 2

Corriente a plena carga del motor (A)	Número de elemento térmico	Corriente a plena carga del motor (A)	Número de elemento térmico
4,24–4,62	AR 8.5	16,5–18,9	AR 35
4,63–5,05	AR 9.3	19,0–21,6	AR 40
5,06–5,54	AR 10.2	21,7–23,3	AR 44
5,55–6,13	AR 11.2	23,4–24,9	AR 47
6,14–6,44	AR 12.4	25,0–26,9	AR 51
6,45–7,48	AR 13.6	27,0–29,1	AR 55
7,49–8,55	AR 15.4	29,2–31,3	AR 60
8,56–9,74	AR 17.6	31,4–33,5	AR 66
9,75–11,1	AR 20.5	33,6–36,9	AR 72
11,2–12,7	AR 23	37,0–39,1	AR 79
12,8–14,4	AR 27	39,2–40,9	AR 86
14,5–16,4	AR 30	41,0–45,0	AR 94

Tamaño 3

Corriente a plena carga del motor (A)	Número de elemento térmico	Corriente a plena carga del motor (A)	Número de elemento térmico
27,1–30,0	E 67	47,0–51,5	E 74
30,1–33,2	E 69	51,6–57,0	E 76
33,3–35,7	E 70	57,1–62,8	E 77
35,8–39,4	E 71	62,9–69,1	E 78
39,5–43,4	E 72	69,2–75,0	E 79
43,5–46,9	E 73	75,1–83,3	E 80

Tamaño 4

Corriente a plena carga del motor (A)	Número de elemento térmico	Corriente a plena carga del motor (A)	Número de elemento térmico
50–55,9	E 88	82–86,9	E 96
56–60,9	E 89	87–92,9	E 97
61–65,9	E 91	93–97,9	E 98
66–69,9	E 92	98–107,9	E 99
70–75,9	E 93	108–113,9	E 101
76–81,9	E 94	114–125,9	E 102

Tamaño 5

Corriente a plena carga del motor (A)	Número de elemento térmico	Corriente a plena carga del motor (A)	Número de elemento térmico
105–116	AR 3.28	166–184	AR 4.80
117–132	AR 3.62	185–207	AR 5.3
133–148	AR 3.98	208–229	AR 5.8
149–165	AR 4.37	230–266	AR 6.4

Tamaño 6

Corriente a plena carga del motor (A)	Número de elemento térmico	Corriente a plena carga del motor (A)	Número de elemento térmico
146–169	AR 1.68	280–311	AR 3.28
170–185	AR 1.85	312–353	AR 3.62
186–201	AR 2.04	354–396	AR 3.98
202–217	AR 2.24	397–442	AR 4.37
218–236	AR 2.46	443–492	AR 4.80
237–253	AR 2.71	493–520	AR 5.3
254–279	AR 2.98		

Tablas de selección de los elementos térmicos para los relevadores de sobrecarga bimetálicos compensados por la temperatura ambiente para los arrancadores combinados de motor con devanado fraccionado

Tamaño 1

Corriente a plena carga del motor (A)	Número de elemento térmico	Corriente a plena carga del motor (A)	Número de elemento térmico
1,14–1,21	AR 1.05	6,92–7,63	AR 5.8
1,22–1,33	AR 1.15	7,64–8,41	AR 6.4
1,34–1,47	AR 1.26	8,42–9,31	AR 7.0
1,48–1,63	AR 1.39	9,32–10,59	AR 7.7
1,64–1,81	AR 1.53	10,60–11,69	AR 8.5
1,82–2,11	AR 1.68	11,70–12,55	AR 9.3
2,12–2,31	AR 1.85	12,56–13,95	AR 10.2
2,32–2,51	AR 2.04	13,96–15,19	AR 11.2
2,52–2,71	AR 2.24	15,20–15,79	AR 12.4
2,72–2,95	AR 2.46	15,80–17,91	AR 13.6
2,96–3,17	AR 2.71	17,92–20,7	AR 15.4
3,18–3,49	AR 2.98	20,8–23,5	AR 17.6
3,50–3,89	AR 3.28	23,6–26,7	AR 20.5
3,90–4,41	AR 3.62	26,8–30,5	AR 23
4,42–4,95	AR 3.98	30,6–34,5	AR 27
4,96–5,53	AR 4.37	34,6–39,5	AR 30
5,54–6,15	AR 4.80	39,6–44,9	AR 35
6,16–6,91	AR 5.30	45,0–52,0	AR 40

Tamaño 3

Corriente a plena carga del motor (A)	Número de elemento térmico	Corriente a plena carga del motor (A)	Número de elemento térmico
54,2–60,1	E 67	94,0–103,1	E 74
60,2–66,5	E 69	103,2–114,1	E 76
66,6–71,5	E 70	114,2–125,7	E 77
71,6–78,9	E 71	125,8–138,3	E 78
79,0–86,9	E 72	138,4–150,1	E 79
87,0–93,9	E 73	150,2–166,6	E 80

Tamaño 5

Corriente a plena carga del motor (A)	Número de elemento térmico	Corriente a plena carga del motor (A)	Número de elemento térmico
210–233	AR 3.28	332–369	AR 4.8
234–265	AR 3.62	370–415	AR 5.3
266–297	AR 3.98	416–459	AR 5.8
298–331	AR 4.37	460–532	AR 6.4

Tamaño 2

Corriente a plena carga del motor (A)	Número de elemento térmico	Corriente a plena carga del motor (A)	Número de elemento térmico
8,48–9,25	AR 8.5	33,0–37,9	AR 35
9,26–10,11	AR 9.3	38,0–43,3	AR 40
10,12–11,09	AR 10.2	43,4–46,7	AR 44
11,10–12,27	AR 11.2	46,8–49,9	AR 47
12,28–12,89	AR 12.4	50,0–53,9	AR 51
12,90–14,97	AR 13.6	54,0–58,3	AR 55
14,98–17,11	AR 15.4	58,4–62,7	AR 60
17,12–19,49	AR 17.6	62,8–67,1	AR 66
19,50–22,3	AR 20.5	67,2–73,8	AR 72
22,4–25,5	AR 23	74,0–78,3	AR 79
25,6–28,9	AR 27	78,4–81,9	AR 86
29,0–32,9	AR 30	82,0–90,0	AR 94

Tamaño 4

Corriente a plena carga del motor (A)	Número de elemento térmico	Corriente a plena carga del motor (A)	Número de elemento térmico
100–111,9	E 88	164–173,9	E 96
112–121,9	E 89	174–185,9	E 97
122–131,9	E 91	186–195,9	E 98
132–139,9	E 92	196–215,9	E 99
140–151,9	E 93	216–227,9	E 101
152–163,9	E 94	228–251,9	E 102

Sección 13—Sustitución del interruptor automático e interruptor fusible

NOTA: En las unidades de inserción/extracción con puerta cerrada (CDR), Schneider Electric no recomienda la sustitución en campo del interruptor automático por el cliente debido a la complejidad de la construcción de la unidad CDR. Favor de ponerse en contacto con el departamento de servicios de Schneider Electric para sustituir el interruptor automático en la unidad CDR.

Para los interruptores automáticos marcos F y K e interruptores fusibles de 100/200 A, Schneider Electric recomienda sustituir todo el ensamble de seccionador desconectador en lugar de sustituir solamente el interruptor automático o interruptor fusible. El ensamble de seccionador desconectador incluye el mecanismo de funcionamiento y el interruptor automático o interruptor fusible apropiado.

Para sustituir todo el ensamble solamente es necesario extraer tres tornillos (dos del lado izquierdo del ensamble y uno en el interior en la parte trasera del ensamble). Este procedimiento es más sencillo y rápido que la sustitución de un interruptor automático o interruptor fusible individual.

Consulte el boletín no. 80439-666-01 “*Sustitución del ensamble de seccionador desconectador*” de Schneider Electric para obtener las instrucciones de instalación del ensamble.

PELIGRO

PELIGRO DE DESCARGA ELÉCTRICA, EXPLOSIÓN O DESTELLO POR ARQUEO

- Utilice equipo de protección personal (EPP) apropiado y siga las prácticas de seguridad en trabajos eléctricos establecidas por su Compañía, consulte la norma 70E de NFPA o Z462 de CSA y NOM-029-STPS.
- Solamente el personal eléctrico especializado deberá instalar y prestar servicio de mantenimiento a este equipo.
- Desenergice el equipo antes de realizar cualquier trabajo en él.
- Siempre utilice un dispositivo detector de tensión nominal adecuado para confirmar la desenergización del equipo.
- Vuelva a colocar todos los dispositivos, las puertas y las cubiertas antes de energizar este equipo.

El incumplimiento de estas instrucciones podrá causar la muerte o lesiones serias.

Para los interruptores automáticos PowerPact™ marcos H y J, y TeSys™ marco B, solicite sólo un interruptor automático de repuesto. Para sustituir el interruptor automático:

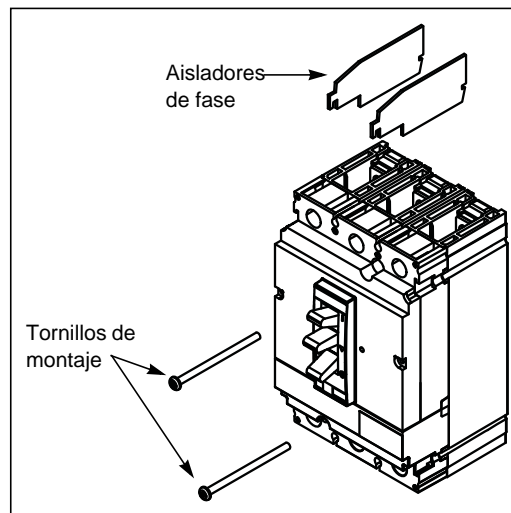
1. Desenergice el equipo antes de realizar cualquier trabajo dentro de él y siga los procedimientos de bloqueo / etiquetado. Siempre utilice un dispositivo detector de tensión nominal adecuado para confirmar la desenergización del equipo.
2. Retire la unidad de control del CCM. Consulte “Desmontaje de las unidades de control” on page 91.
3. Abra las lengüetas del aislador de línea.
4. Afloje los tornillos de fijación en las zapatas del lado de carga y línea. Desconecte los conductores de línea y carga.

5. Extraiga los dos tornillos de montaje del interruptor automático (vea la figura 145).
6. Desmonte el interruptor automático de la unidad.
7. Retire los aisladores de fase del interruptor (vea la figura 145).
8. Desempaque el interruptor automático nuevo.
9. Vuelva a instalar los aisladores de fase del interruptor automático en las ranuras provistas.

NOTA: El paso 9 no es aplicable para los interruptores automáticos PowerPact marco B.

10. Coloque el interruptor automático en la bandeja de montaje, asegúrese de que el aislador de línea se encuentre en su lugar debajo del interruptor. Sujete el interruptor automático con los dos tornillos de montaje provistos.
11. Inserte los conductores de línea y carga en las zapatas del interruptor automático. Apriete los tornillos de fijación de las zapatas en el valor de par de apriete indicado en el interruptor automático.
12. Cierre las lengüetas del aislador de línea.
13. Vuelva a instalar la unidad de control en el CCM. Cierre y asegure la puerta.

Figura 145 –Sustitución del interruptor automático



Siempre utilice dispositivos de repuesto del mismo tipo y valor nominal que el dispositivo que está desmontando. El uso de un dispositivo de desconexión de tipo diferente o con un valor nominal diferente puede alterar los valores nominales de cortocircuito del centro de control de motores.

Póngase en contacto con el Grupo de asistencia técnica del CCM antes de instalar un interruptor automático con un valor nominal diferente. Consulte el "Apéndice D—Soporte técnico" on page 188 para obtener el número telefónico del Grupo de asistencia técnica del CCM.

Apéndice A—Desmontaje e instalación de los paneles de la barrera de las barras horizontales

Este apéndice contiene las instrucciones de instalación y desmontaje de los paneles deslizantes de la barrera de las barras horizontales en los centros de control de motores modelo 6 de 381 mm (15 pulgadas) y 508 mm (20 pulgadas) de profundidad, fabricados por Schneider Electric.

⚠ PELIGRO

PELIGRO DE DESCARGA ELÉCTRICA, EXPLOSIÓN O DESTELLO POR ARQUEO

- Utilice equipo de protección personal (EPP) apropiado y siga las prácticas de seguridad en trabajos eléctricos establecidas por su Compañía, consulte la norma 70E de NFPA o Z462 de CSA y NOM-029-STPS.
- Solamente el personal eléctrico especializado deberá instalar y prestar servicio de mantenimiento a este equipo.
- Desenergice el equipo antes de realizar cualquier trabajo en él.
- Siempre utilice un dispositivo detector de tensión nominal adecuado para confirmar la desenergización del equipo.
- Vuelva a colocar todos los dispositivos, las puertas y las cubiertas antes de energizar este equipo.

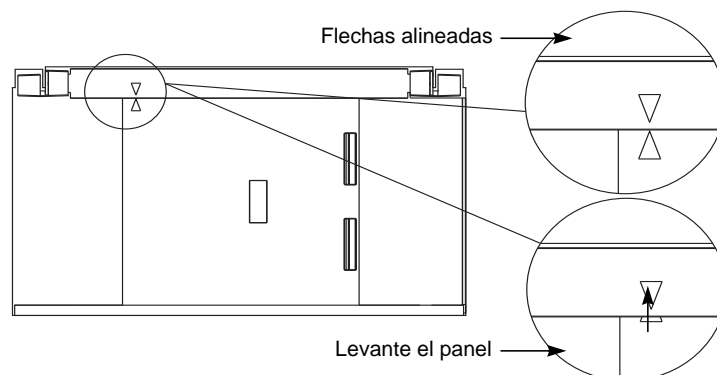
El incumplimiento de estas instrucciones podrá causar la muerte o lesiones serias.

ESPAÑOL

Desmontaje

1. Desenergice el equipo antes de realizar cualquier trabajo dentro de él y siga los procedimientos de bloqueo / etiquetado. Siempre utilice un dispositivo detector de tensión nominal adecuado para confirmar la desenergización del equipo.
2. Con una mano, deslice el panel izquierdo hacia la derecha hasta desencajarlo del panel derecho.
3. Alinee las flechas en el panel izquierdo y riel superior como se muestra en la figura 146. Levante el panel hasta sacarlo del riel inferior y retire el panel.
4. Alinee las flechas en el panel derecho y riel superior como se muestra en la figura 146. Levante el panel hasta sacarlo del riel inferior y retire el panel.

Figura 146 –Alineación de las flechas en los paneles.



Instalación

NOTA: La barrera de las barras horizontales contiene dos paneles idénticos con flechas en la parte superior. La “palanca” en el panel izquierdo se encuentra orientada hacia el frente de la sección del CCM. La “cavidad de la palanca” en el panel derecho se encuentra orientada hacia el frente de la sección del CCM (figura 147).

1. Desenergice el equipo antes de realizar cualquier trabajo dentro de él y siga los procedimientos de bloqueo / etiquetado. Siempre utilice un dispositivo detector de tensión nominal adecuado para confirmar la desenergización del equipo.
2. Alinee las flechas en el panel derecho y riel superior como se muestra en la figura 148.
3. Levante el panel hasta encajarlo en el canal trasero del riel superior.
4. Baje el panel hasta encajarlo en el canal trasero del riel inferior.
5. Deslice el panel hacia el extremo derecho.
6. Alinee las flechas en el panel izquierdo y riel superior.
7. Repita los pasos 3 y 4 con el panel izquierdo y el canal frontal.
8. Deslice el panel hacia la izquierda hasta encajarlo en su lugar.
9. Revise la barrera y asegúrese de que esté completamente cerrada y que el compartimiento de los cables esté aislado del compartimiento de la barra.

Figura 147 –Panel derecho (vista lateral)

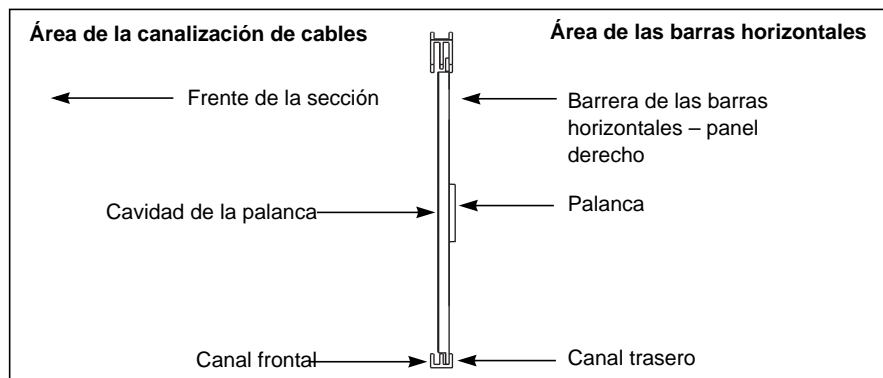
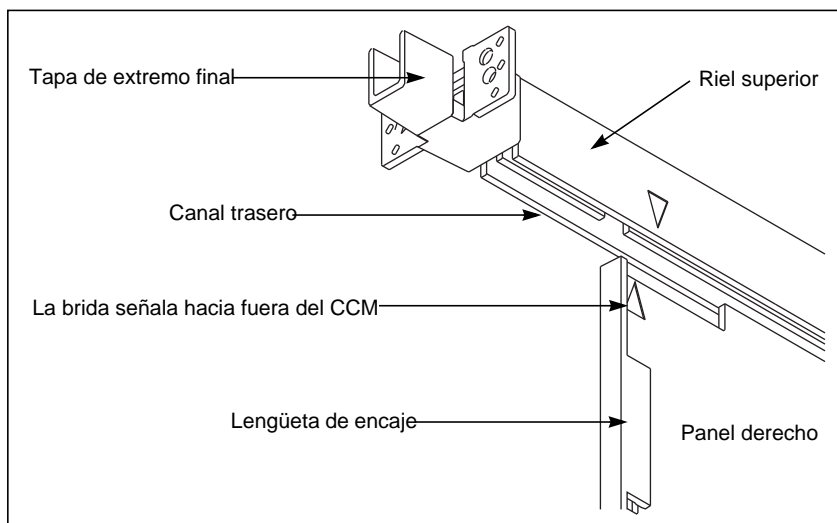


Figura 148 –Instalación del panel derecho en el canal trasero



Barrera fija

⚠ PELIGRO

PELIGRO DE DESCARGA ELÉCTRICA, EXPLOSIÓN O DESTELLO POR ARQUEO

- Utilice equipo de protección personal (EPP) apropiado y siga las prácticas de seguridad en trabajos eléctricos establecidas por su Compañía, consulte la norma 70E de NFPA o Z462 de CSA y NOM-029-STPS.
- Solamente el personal eléctrico especializado deberá instalar y prestar servicio de mantenimiento a este equipo.
- Desenergice el equipo antes de realizar cualquier trabajo dentro o fuera de él.
- Siempre utilice un dispositivo detector de tensión nominal adecuado para confirmar la desenergización del equipo.
- Vuelva a colocar todos los dispositivos, las puertas y las cubiertas antes de energizar este equipo.

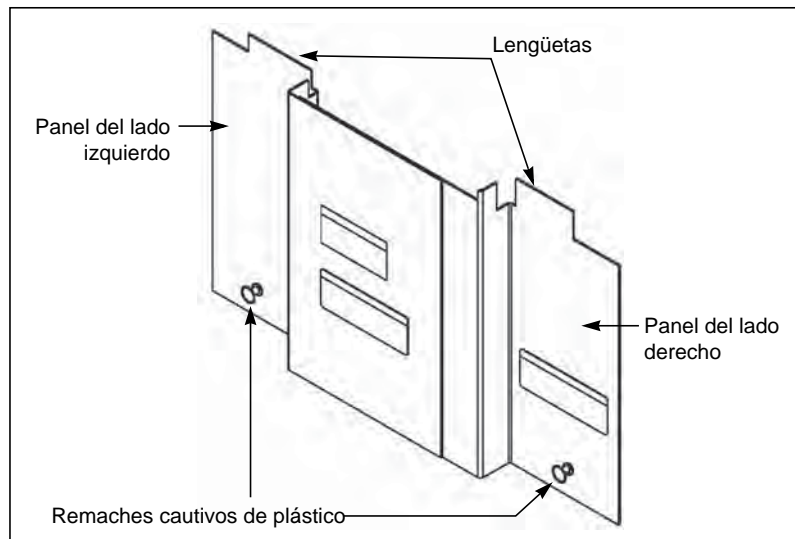
El incumplimiento de estas instrucciones podrá causar la muerte o lesiones serias.

ESPAÑOL

Desmontaje

1. Desenergice el equipo antes de realizar cualquier trabajo dentro o fuera de él y siga los procedimientos de bloqueo / etiquetado. Siempre utilice un dispositivo detector de tensión nominal adecuado para confirmar la desenergización del equipo.
2. Un remache cautivo en la parte inferior de cada panel de la barrera de las barras sujeta los paneles a los soportes de montaje en el CCM (vea la figura 149 a continuación y las figuras 150 y 151 en la página 168).

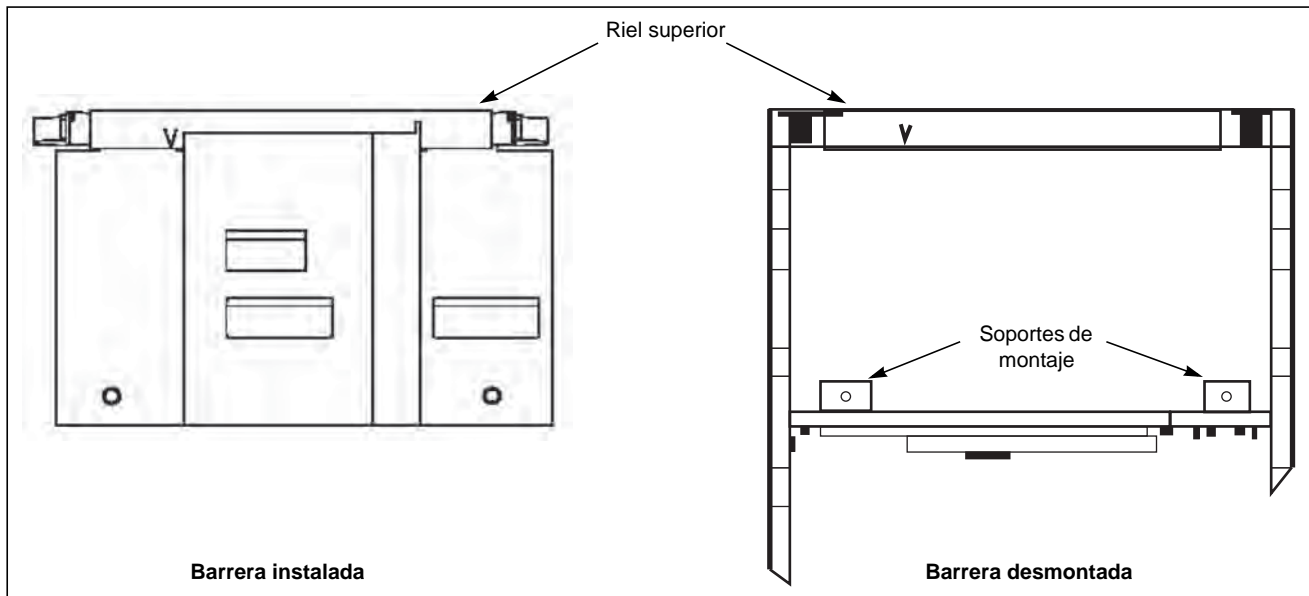
Figura 149 –Barrera fijas de las barras horizontales



3. Sujete firmemente la cabeza del remache del lado izquierdo y jale hasta que el remache se suelte del soporte de montaje.

4. Extraiga el panel del lado izquierdo de su parte inferior hasta que la lengüeta en la parte superior del panel se haya desenganchado del riel superior (ve la figura 150).
5. Desmonte el panel del CCM.
6. Repita los pasos 3 a 5 para el panel del lado derecho.

Figura 150 –Instalación y desmontaje de las barreras de las barras horizontales



Instalación

1. Desenergice el equipo antes de realizar cualquier trabajo dentro o fuera de él y siga los procedimientos de bloqueo / etiquetado. Siempre utilice un dispositivo detector de tensión nominal adecuado para confirmar la desenergización del equipo.
2. Inserte la lengüeta del panel del lado derecho en el riel superior en el lado derecho del CCM y colóquelo en su lugar (vea la figura 149 en la página 167 y figura 150).
3. Sujete el panel del lado derecho empujando el remache firmemente en el agujero del soporte de montaje.
4. Repita los pasos 2 y 3 para el panel del lado izquierdo.

Figura 151 –Barrera instalada y desmontada



Instalada



Desmontada

Apéndice B—Accesorio de modernización de la barrera aislante de las barras horizontales

Este apéndice contiene las instrucciones de instalación de los accesorios de modernización de la barrera aislante de las barras horizontales fabricados por Schneider Electric. Estos accesorios se utilizan en los centros de control de motores modelos 5 y 6 de 381 mm (15 pulgadas) y 508 mm (20 pulgadas) de profundidad.

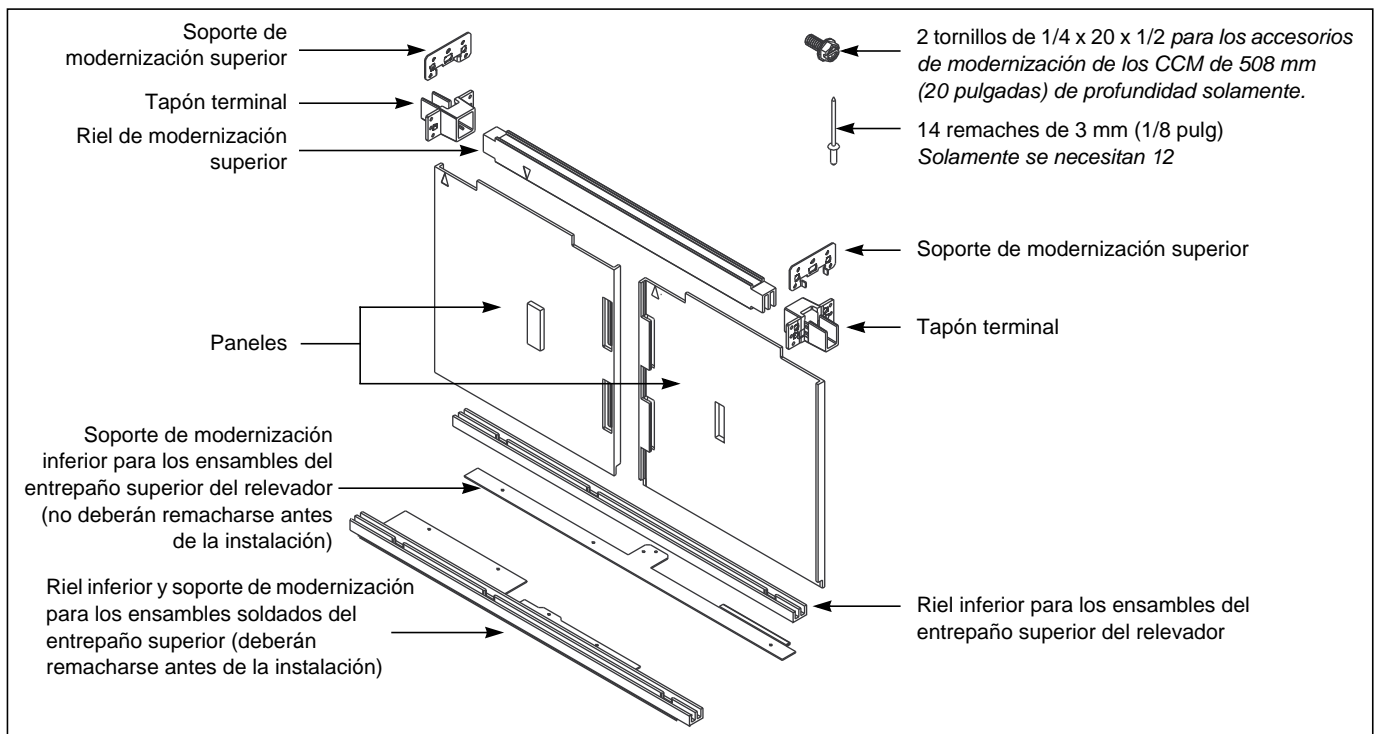
⚠ PELIGRO

PELIGRO DE DESCARGA ELÉCTRICA, EXPLOSIÓN O DESTELLO POR ARQUEO

- Utilice equipo de protección personal (EPP) apropiado y siga las prácticas de seguridad en trabajos eléctricos establecidas por su Compañía, consulte la norma 70E de NFPA o Z462 de CSA y NOM-029-STPS.
- Solamente el personal eléctrico especializado deberá instalar y prestar servicio de mantenimiento a este equipo.
- Desenergice el equipo antes de realizar cualquier trabajo en él.
- Siempre utilice un dispositivo detector de tensión nominal adecuado para confirmar la desenergización del equipo.
- Después de quitar los remaches y tornillos, asegúrese de que no hayan quedado partículas sueltas en el compartimiento.
- Vuelva a colocar todos los dispositivos, las puertas y las cubiertas antes de energizar este equipo.

El incumplimiento de estas instrucciones podrá causar la muerte o lesiones serias.

Figura 152 –Componentes del accesorio de modernización



Desmontaje de componentes existentes

Siga estas instrucciones para desmontar la cubierta de la canalización de cables horizontal superior, las barreras de las barras, las unidades debajo del entrepaño superior y los soportes existentes [en los CCM de 381 mm (15 pulgadas) de profundidad]:

Cubierta de la canalización de cables horizontal

1. Desenergice el equipo antes de realizar cualquier trabajo dentro de él y siga los procedimientos de bloqueo / etiquetado. Siempre utilice un dispositivo detector de tensión nominal adecuado para confirmar la desenergización del equipo.
2. Retire los tornillos que sujetan la cubierta de la canalización de cables horizontal superior a la estructura y luego desmonte la cubierta.

Barreras de las barras horizontales

1. Retire el tornillo situado en la parte superior de las barreras de dos piezas.
2. Retire el tornillo situado en la parte inferior de las barreras de dos piezas.
3. Extraiga las dos barreras de metal del CCM y deséchelas.

Unidades debajo del entrepaño superior

Si es aplicable, desmonte la unidad enchufable situada debajo del entrepaño superior (figura 153 en la página 171).

Consulte el manual de instalación y servicios de mantenimiento del CCM modelo 5 (no. 8998IM9101R5/92) o “Desmontaje de las unidades de control” on page 91 de este boletín para obtener información sobre el desmontaje de las unidades. Si es necesario, póngase en contacto con su representante local de ventas de Schneider Electric para obtener estos documentos.

Soportes existentes: CCM de 381 mm (15 pulgadas) de profundidad solamente

Si el CCM es de 381 mm (15 pulgadas) de profundidad, utilice una broca para taladro de 1/8 para quitar los remaches que sostienen en su lugar los soportes derecho e izquierdo de las barreras de las barras horizontales (figura 153). Deseche los soportes después de haberlos retirado.

NOTA: Deseche todos los soportes de modernización si el soporte “B” de la barrera de la barra existente (figura 153) está presente en el CCM de 381 mm (15 pulgadas) de profundidad. Todos los agujeros ya han sido preperforados para montar directamente la barrera de las barras horizontales.

⚠ PELIGRO

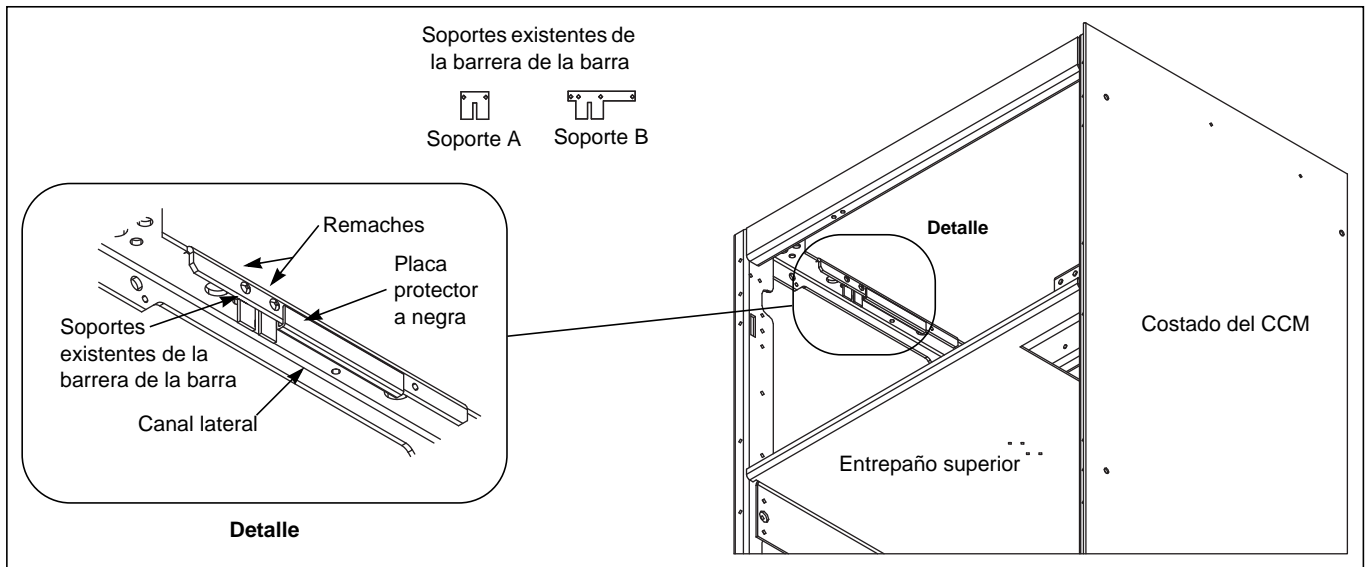
PELIGRO DE DESCARGA ELÉCTRICA, EXPLOSIÓN O DESTELLO POR ARQUEO

- Al perforar agujeros aumenta la posibilidad de que queden partículas sueltas dentro del CCM.
- Asegúrese de que no queden partículas sueltas en el compartimiento antes de energizar el equipo.

El incumplimiento de estas instrucciones podrá causar la muerte o lesiones serias.

ESPAÑOL

Figura 153 –Eliminación de los soportes existentes en los CCM de 381 mm (15 pulgadas) de profundidad



Instalación del accesorio de modernización

Soportes de modernización y tapones finales

Siga las instrucciones correspondientes, a continuación, para instalar los soportes de modernización en los CCM de 381 mm (15 pulgadas) o 508 mm (20 pulgadas) de profundidad. El soporte de modernización superior debe apoyarse contra y quedar a ras con el canal lateral. Deslice las placas protectoras negras hacia la parte posterior del CCM.

- CCM de 381 mm (15 pulgadas) de profundidad: Use una pistola de remaches y dos remaches en el accesorio de modernización para instalar los soportes en los canales laterales izquierdo y derecho (figura 154 en la página 172).
- CCM de 508 mm (20 pulgadas) de profundidad: Use los tornillos incluidos con el accesorio de modernización para instalar los soportes en los canales laterales izquierdo y derecho. Alinee los agujeros en el soporte y canal lateral como se muestra en la figura 155 en la página 173.

- NOTAS:**
- Aun cuando los agujeros estén presentes para montar directamente el tapón terminal en los canales laterales, use el soporte de modernización superior en los CCM de 508 mm (20 pulgadas) de profundidad.
 - Antes de apretar los tornillos, empuje el soporte lejos de usted para que el agujero trasero del soporte esté correctamente alineado con el agujero del canal lateral.

Figura 154 –Soporte de modernización del CCM de 381 mm (15 pulgadas) de profundidad

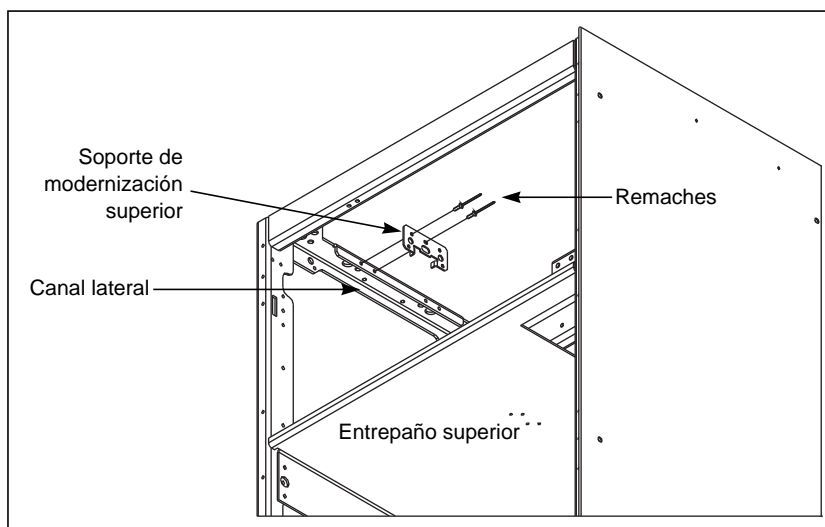
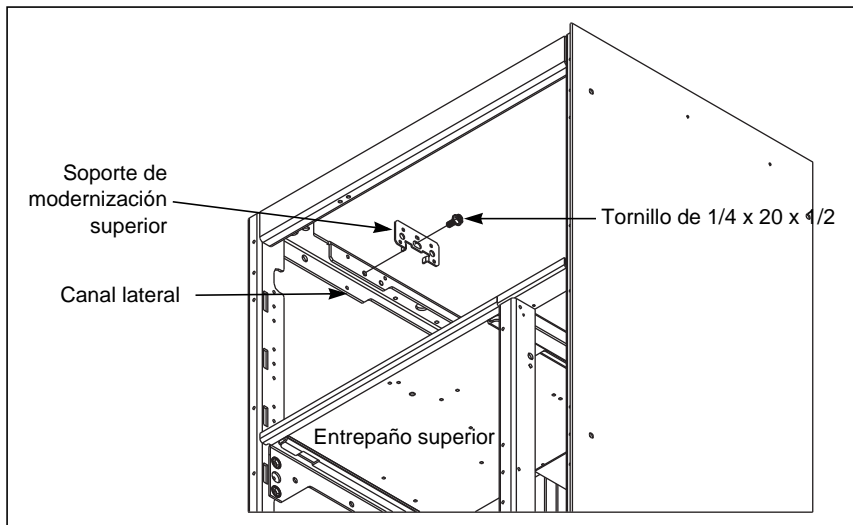


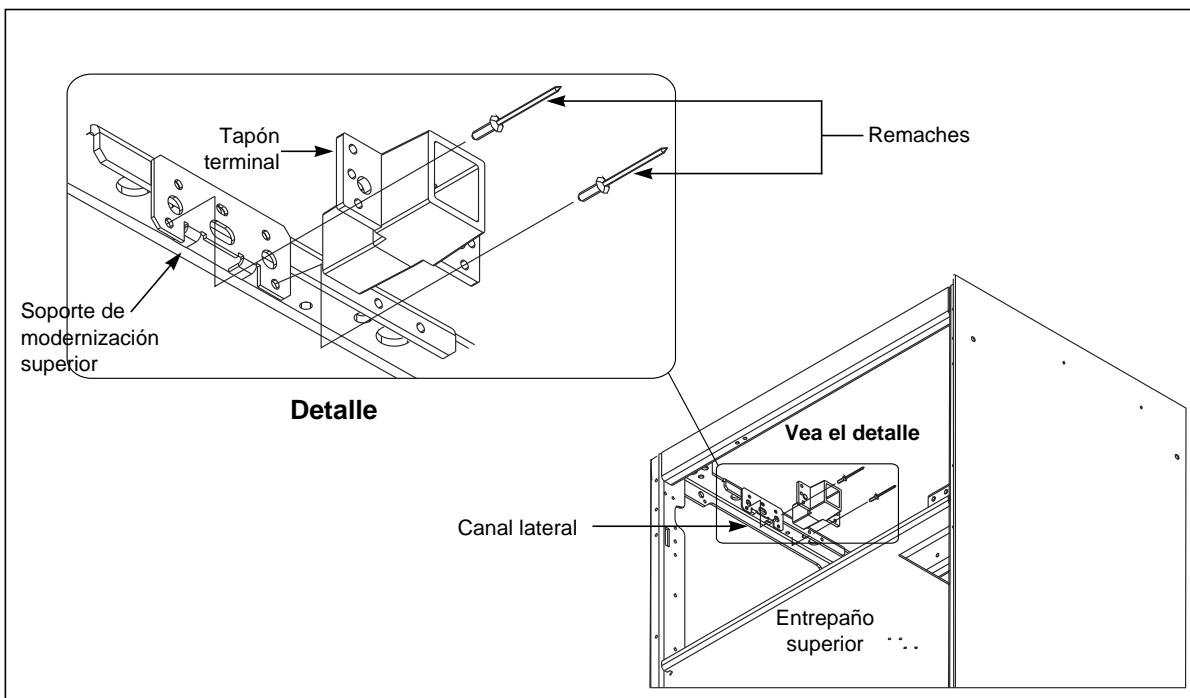
Figura 155 –Soporte de modernización del CCM de 508 mm (20 pulgadas) de profundidad



Siga los siguientes pasos para instalar los tapones finales (figura 156).

1. Remache un tapón terminal en el soporte de modernización o en el canal lateral, ya sea a la derecha o a la izquierda de la estructura.
2. Inserte uno de los extremos del riel superior en el tapón terminal instalado.
3. Coloque el otro tapón terminal en el extremo opuesto del riel superior y deslice el riel superior hasta colocarlo en su lugar.
4. Remache el segundo tapón terminal en el soporte de modernización.

Figura 156 –Colocación del tapón terminal



ESPAÑOL

Riel y soporte de modernización inferiores

1. Use una broca de taladro de 3 mm (1/8 pulg) para sacar ambos remaches en el soporte de la barrera de las barras horizontales (soporte en forma de L situado en el entrepaño superior, vea la figura 157). Retire el soporte y deséchelo.
2. Para instalar el riel de modernización inferior, siga el paso a si tiene un entrepaño superior soldado o el paso b si tiene un entrepaño superior de relevador (figura 158 en la página 175):
 - a. Entrepaño superior soldado: Alinee los agujeros del entrepaño con los del riel inferior (figura 158 en la página 175). Remache el riel y el soporte de modernización en el entrepaño superior.

NOTA: Si la barra contiene cuatro laminaciones, obtenga acceso a los agujeros de remaches por debajo del entrepaño superior.

- b. Entrepaño superior de relevador: Alinee los dos agujeros en el entrepaño de relevador con los agujeros del soporte de modernización inferior (figura 158 en la página 175). Marque los lugares en donde perforará otros agujeros para sujetar el riel inferior al entrepaño. Perfore los agujeros usando una broca de taladro de 3 a 4 mm (0,136 a 0,147 pulg) de diámetro. Remache el riel y el soporte de modernización en el entrepaño superior.

NOTA: El riel de modernización inferior puede ser remachado directamente sobre el entrepaño superior de relevador siempre y cuando el entrepaño superior del ensamble de relevador tenga dos agujeros en lugar de cuatro.

Figura 157 –Soporte (en forma de L) de la barrera de las barras horizontales

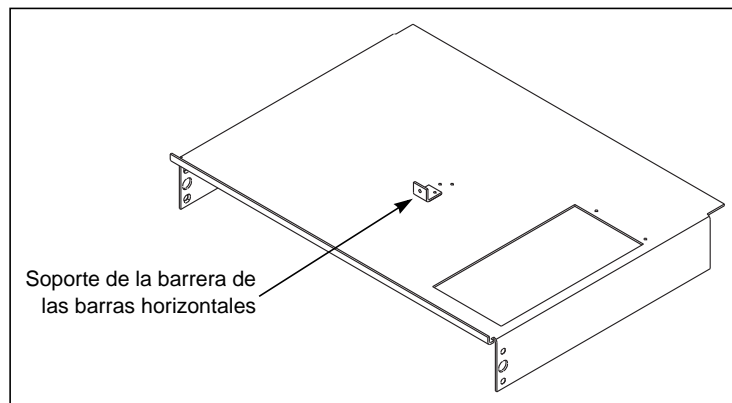
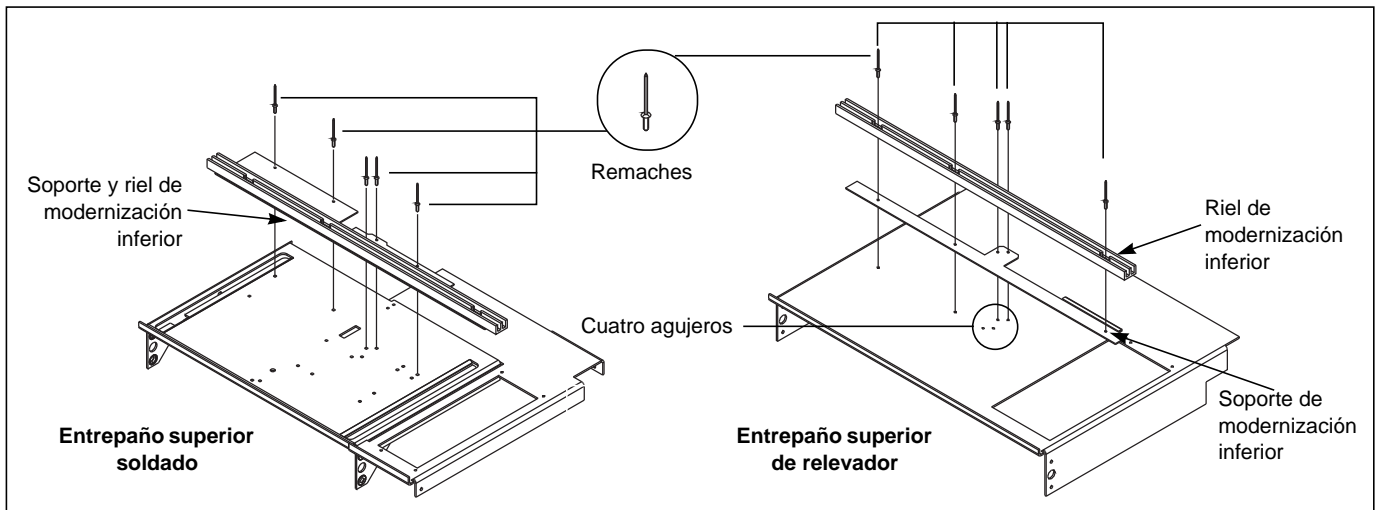


Figura 158 –Ensamblajes de entrepaño superior soldado y de relevador



ESPAÑOL

Paneles izquierdo y derecho

Instalación

NOTA: La barrera de las barras horizontales contiene dos paneles idénticos con flechas en la parte superior. La “palanca” en el panel izquierdo se encuentra orientada hacia el frente de la sección del CCM. La “cavidad de la palanca” en el panel derecho se encuentra orientada hacia el frente de la sección del CCM (figura 159).

1. Alinee las flechas en el panel derecho y riel superior como se muestra en la figura 160 en la página 176.
2. Levante el panel hasta encajarlo en el canal trasero del riel superior.
3. Baje el panel hasta encajarlo en el canal trasero del riel inferior.
4. Deslice el panel hacia el extremo derecho.
5. Alinee las flechas en el panel izquierdo y riel superior.
6. Repita los pasos 2 y 3 con el panel izquierdo y el canal frontal.
7. Deslice el panel hacia la izquierda hasta encajarlo en su lugar.
8. Revise la barrera y asegúrese de que esté completamente cerrada y que el compartimiento de los cables esté aislado del compartimiento de la barra.

Figura 159 –Panel derecho (vista lateral)

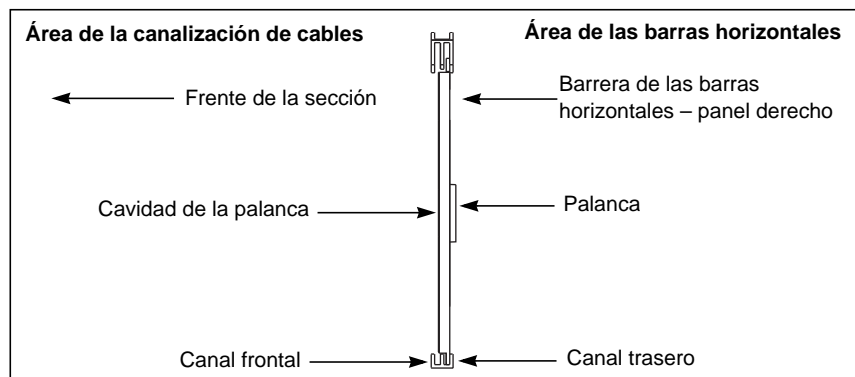
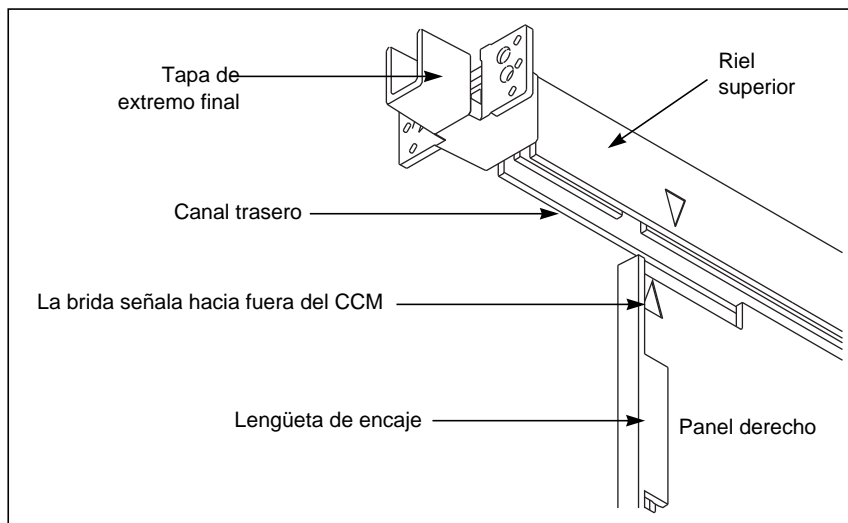
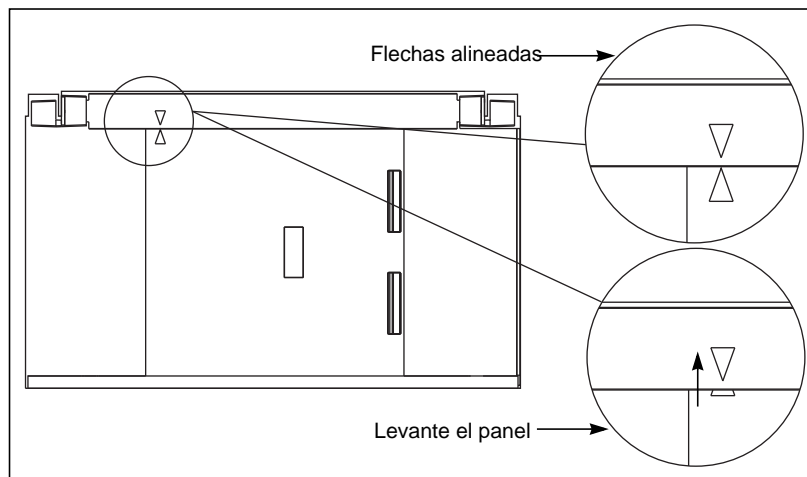


Figura 160 –Instalación del panel derecho en el canal trasero**Desmontaje (cuando sea necesario)**

1. Con una mano, deslice el panel izquierdo hacia la derecha hasta desencajarlo del panel derecho.
2. Alinee las flechas en el panel izquierdo y riel superior como se muestra en la figura 161. Levante el panel hasta sacarlo del riel inferior y retire el panel.
3. Alinee las flechas en el panel derecho y riel superior como se muestra en la figura 161. Levante el panel hasta sacarlo del riel inferior y retire el panel.

Figura 161 –Alineación de las flechas en los paneles.

Recolocación de los componentes

⚠ PELIGRO

PELIGRO DE DESCARGA ELÉCTRICA, EXPLOSIÓN O DESTELLO POR ARQUEO

- Utilice equipo de protección personal (EPP) apropiado y siga las prácticas de seguridad en trabajos eléctricos establecidas por su Compañía, consulte la norma 70E de NFPA o Z462 de CSA y NOM-029-STPS.
- Solamente el personal eléctrico especializado deberá instalar y prestar servicio de mantenimiento a este equipo.
- Desenergice el equipo antes de realizar cualquier trabajo en él.
- Siempre utilice un dispositivo detector de tensión nominal adecuado para confirmar la desenergización del equipo.
- Vuelva a colocar todos los dispositivos, las puertas y las cubiertas antes de energizar este equipo.

El incumplimiento de estas instrucciones podrá causar la muerte o lesiones serias.

Siga los siguientes pasos al volver a colocar los componentes del CCM.

1. Instale la unidad que retiró en la sección “Unidades debajo del entrepaño superior” on page 170. Consulte el manual de instalación y servicios de mantenimiento del CCM modelo 5 (no. 8998IM9101R5/92) o “Desmontaje de las unidades de control” on page 91 de este boletín para obtener información sobre la instalación de unidades en un CCM.
2. Vuelva a colocar la cubierta de la canalización de cables horizontal superior.
3. Vuelva a colocar o cierre todas las demás cubiertas o puertas antes de energizar el CCM.

Apéndice C—Persiana automática de las barras verticales

Introducción

⚠ PELIGRO

PELIGRO DE DESCARGA ELÉCTRICA, EXPLOSIÓN O DESTELLO POR ARQUEO

- Utilice equipo de protección personal (EPP) apropiado y siga las prácticas de seguridad en trabajos eléctricos establecidas por su Compañía, consulte la norma 70E de NFPA o Z462 de CSA y NOM-029-STPS.
- Solamente el personal eléctrico especializado deberá instalar y prestar servicio de mantenimiento a este equipo.
- Desenergice el equipo antes de realizar cualquier trabajo en él.
- Siempre utilice un dispositivo detector de tensión nominal adecuado para confirmar la desenergización del equipo.
- Vuelva a colocar todos los dispositivos, las puertas y las cubiertas antes de energizar este equipo.

El incumplimiento de estas instrucciones podrá causar la muerte o lesiones serias.

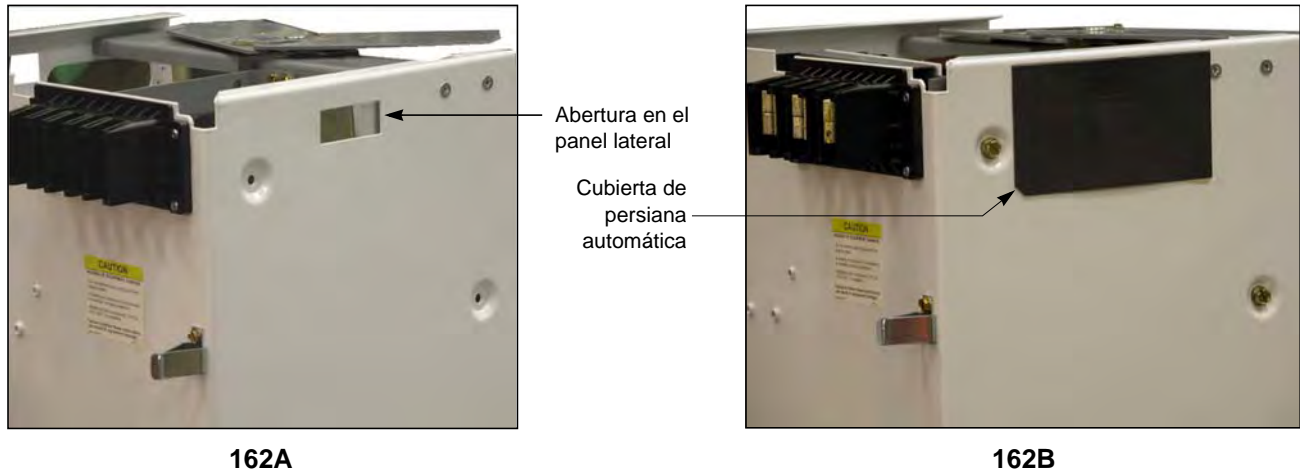
La persiana automática de las barras verticales es una opción para la barra vertical del centro de control de motores (CCM) modelo 6. Las persianas vienen ensambladas de fábrica e instaladas como parte de la agrupación del CCM.

Las persianas automáticas de la barra abren y cierran el punto de conexión de las barras verticales al insertar y sacar las unidades de la estructura. Las persianas se pueden instalar por todo el CCM a una distancia de 152 mm (6 pulgadas) una de otra, y se montan en el reborde izquierdo de cada entrepaño.

El ensamble de persiana automática requiere un entrepaño nuevo para proporcionar el espacio libre necesario para la persiana que será instalada encima de la unidad enchufable.

- NOTAS:**
- Las estructuras del CCM enviadas de fábrica antes de enero de 2003 no pueden utilizar el espacio superior de 76 mm (3 pulgadas) con la opción de persiana automática de las barras verticales. Será necesario instalar una placa protectora de 76 mm (3 pulgadas) para cubrir este espacio.
 - Las unidades de control Compac 6 enviadas de fábrica antes de enero de 2003 no se pueden utilizar con la opción de persiana automática de las barras verticales.
 - Los variadores de velocidad y las unidades de arranque suave de 1 143 mm (45 pulg) o más grandes, enviadas de fábrica antes de julio de 2003, con una abertura en el panel lateral (figura 162A en la página 179), requieren una cubierta de persiana automática (pieza no. 80451765-01 Square D Seneca). La cubierta de persiana automática se alinea con el borde posterior del tornillo de cabeza plana más cercano a la posición intermedia (figura 162B).

Figura 162 –Ubicación de la cubierta de persiana automática para la abertura del panel lateral

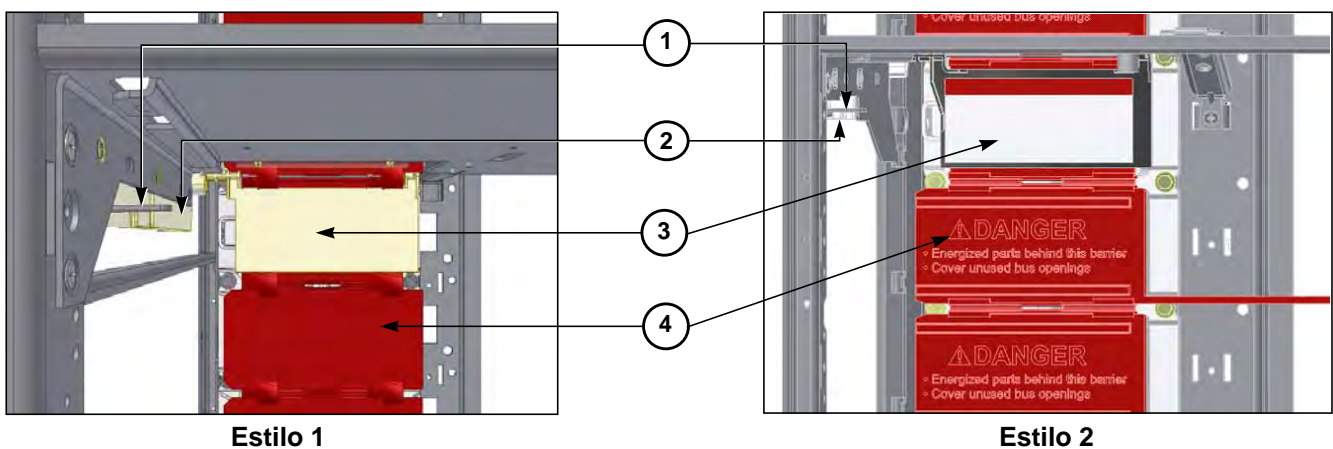


ESPAÑOL

La persiana automática de las barras verticales tiene cuatro componentes principales (vea la figura 163):

1. **Mecanismo de funcionamiento:** Hace funcionar la persiana de las barras verticales permitiendo a la unidad enchufable que se enganche a las barras verticales.
2. **Caja del mecanismo:** Protege al mecanismo contra la introducción incidental de material ajeno que pudiese obstruir el funcionamiento deseado.
3. **Puerta y sujetador de las barras verticales:** Proporciona una barrera contra el contacto incidental con las barras verticales del CCM.
4. **Persiana manual:** Evita el acceso a las aberturas sin utilizar de las barras verticales. La persiana manual se mantiene en su lugar con un dispositivo de bloqueo incorporado que la sostiene en la posición de cerrado durante su transporte, instalación y funcionamiento diario.

Figura 163 –Persiana automática de las barras verticales en un CCM (vista frontal)



Observe y compare el entrepaño instalado en campo con los dos diseños que se muestran en la figura. Si el entrepaño instalado en campo es parecido al estilo 1, siga las instrucciones de instalación y desmontaje que comienzan en la 181. Si el entrepaño instalado en campo es parecido al estilo 2, siga las instrucciones que comienzan en la 184.

NOTA: Los CCM con clasificación de contención de arco tienen un entrepaño específicamente diseñado para los CCM con contención de arco (no. de pieza 80466-007-50 de Schneider Electric; vea la figura 134 en la página 144). Este entrepaño incluye deflectores de reducción de presión del arco y deben utilizarse al instalar las unidades del CCM con contención de arco para mantener la clasificación de contención de arco.

Instalación—Estilo 1

Siga estas instrucciones al instalar el ensamble de persiana automática de la barra vertical a un entrepaño existente estilo 1. Vea las figuras 164 y 165.

⚠ PELIGRO

PELIGRO DE DESCARGA ELÉCTRICA, EXPLOSIÓN O DESTELLO POR ARQUEO

- Utilice equipo de protección personal (EPP) apropiado y siga las prácticas de seguridad en trabajos eléctricos establecidas por su Compañía, consulte la norma 70E de NFPA o Z462 de CSA y NOM-029-STPS.
- Solamente el personal eléctrico especializado deberá instalar y prestar servicio de mantenimiento a este equipo.
- Desenergice el equipo antes de realizar cualquier trabajo en él.
- Siempre utilice un dispositivo detector de tensión nominal adecuado para confirmar la desenergización del equipo.
- Vuelva a colocar todos los dispositivos, las puertas y las cubiertas antes de energizar este equipo.

El incumplimiento de estas instrucciones podrá causar la muerte o lesiones serias.

1. Desenergice el equipo antes de realizar cualquier trabajo dentro de él y siga los procedimientos de bloqueo / etiquetado. Siempre utilice un dispositivo detector de tensión nominal adecuado para confirmar la desenergización del equipo.
2. Coloque el entrepaño (figura 164, artículo A) en el área apropiada de la estructura.

Figura 164 –Instalación del entrepaño—estilo 1

Tabla 18 – Piezas del kit de instalación del entrepaño—estilo 1		
Descripción	Cantidad	Pieza
Entrepaño	1 ^①	A
Tornillo de cabeza plana	2	D
Puerta de la unidad	1	F
Tornillos de cabeza hexagonal	4 ^②	H
Receptáculo del sujetador de ¼ de vuelta	2 ^②	J

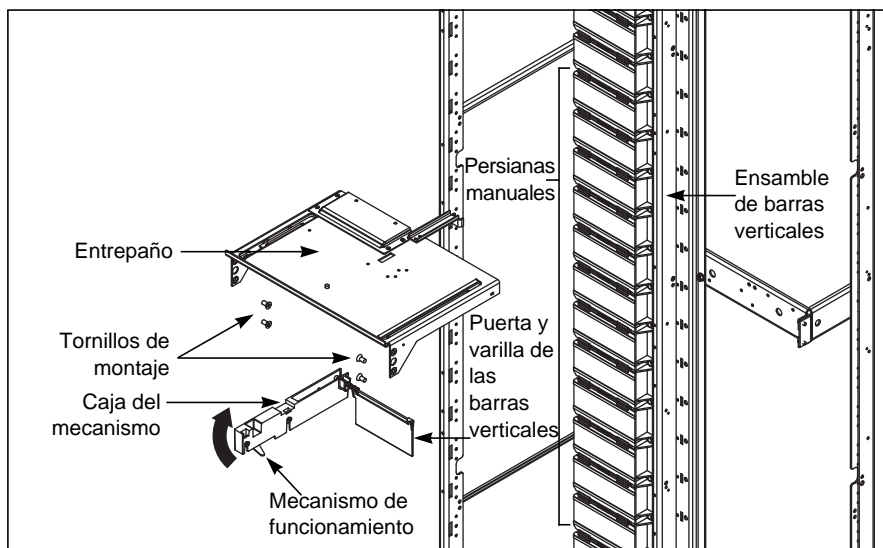
① El entrepaño viene incluido con su orden. Es posible que la estructura ya tenga instalado un entrepaño en esa ubicación.

② Se incluyen todos los herrajes necesarios para la instalación típica del entrepaño. La instalación de la puerta puede requerir herrajes adicionales.

ESPAÑOL

3. Coloque la base de montaje (B) del entrepaño en las ranuras de la bandeja de montaje (C). Sujete el entrepaño a la izquierda y a la derecha utilizando los tornillos de cabeza plana (detalle A, D).
4. Instale las hojas abisagradas (detalle A, E) y la puerta (F) en las ranuras de la bisagra (G), situadas en los canales de esquina de la estructura. Sujete las placas de bisagra al canal de esquina de la estructura utilizando los tornillos de cabeza hexagonal (H).
5. Instale los receptáculos del sujetador de 1/4 de vuelta (detalle B, J) en las ranuras del soporte (K) y fíjelos con los tornillos de cabeza hex. (H).
6. Instale el ensamblaje de persiana automática de las barras girando y empujando la caja del mecanismo hacia arriba para despejar el canal de esquina de la estructura.
7. Deslice el ensamblaje de persiana automática hacia arriba para que encaje perfectamente en el reborde izquierdo del entrepaño.
8. Sin apretar, inserte los dos tornillos de montaje de 10-32 x 3/8 por el reborde izquierdo interior del entrepaño y por las tuercas cuadradas en la caja.
9. Retire la persiana manual del ensamblaje de barras verticales. Deje colgar la persiana manual junto al ensamblaje de barras verticales.
10. Encaje la varilla de la persiana automática en el sujetador situado en la parte frontal del ensamblaje de barras verticales.
11. Apriete los dos tornillos de montaje de 10-32 x 3/8 que colocó en el paso 8.
12. Empuje el mecanismo de funcionamiento hacia atrás, y asegúrese de que la persiana gire hacia arriba y encaje en la cavidad del entrepaño situado encima de la unidad. Vea la figura 165.
13. Inserte la unidad en el CCM. Siga los procedimientos en “Sección 4—Instalación de los CCM”.
14. Vuelva a colocar todos los dispositivos, las puertas y las cubiertas antes de energizar el equipo.

Figura 165 –Instalación de la persiana automática de las barras verticales—estilo 1



Desmontaje—Estilo 1

Siga estas instrucciones al retirar el ensamble de persiana automática de la barra vertical de un entrepaño existente estilo 1. Vea la figura 166.

⚠ PELIGRO

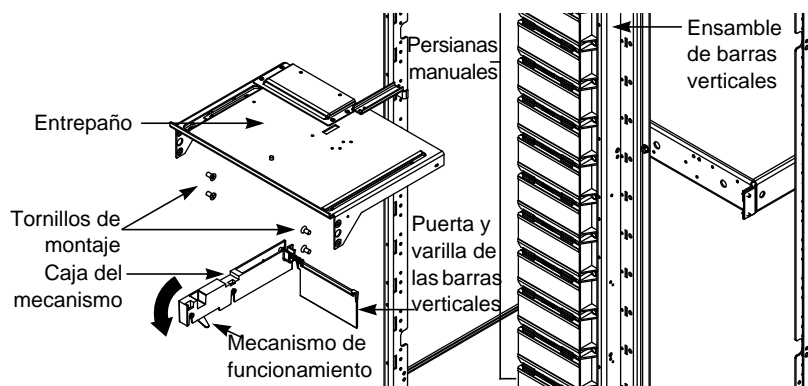
PELIGRO DE DESCARGA ELÉCTRICA, EXPLOSIÓN O DESTELLO POR ARQUEO

- Utilice equipo de protección personal (EPP) apropiado y siga las prácticas de seguridad en trabajos eléctricos establecidas por su Compañía, consulte la norma 70E de NFPA o Z462 de CSA y NOM-029-STPS.
- Solamente el personal eléctrico especializado deberá instalar y prestar servicio de mantenimiento a este equipo.
- Desenergice el equipo antes de realizar cualquier trabajo en él.
- Siempre utilice un dispositivo detector de tensión nominal adecuado para confirmar la desenergización del equipo.
- Vuelva a colocar todos los dispositivos, las puertas y las cubiertas antes de energizar este equipo.

El incumplimiento de estas instrucciones podrá causar la muerte o lesiones serias.

1. Desenergice el equipo antes de realizar cualquier trabajo dentro de él y siga los procedimientos de bloqueo / etiquetado. Siempre utilice un dispositivo detector de tensión nominal adecuado para confirmar la desenergización del equipo.
2. Retire la unidad de la estructura del CCM. Siga los procedimientos en “Sección 4—Instalación de los CCM”.
3. Retire la varilla de la persiana automática del sujetador situado en la parte frontal del ensamble de barras verticales.
4. Inserte la persiana manual en el ensamble de barras verticales.
5. Retire los dos tornillos de montaje de 10-32 x 3/8 situados en el reborde izquierdo interior del entrepaño.
6. Deslice el ensamble de persiana automática hacia abajo, hasta desengancharlo del entrepaño.
7. Gire el ensamble hacia abajo para desengancharlo del canal de esquina frontal de la estructura.
8. Retire el ensamble de persiana automática.
9. Vuelva a colocar todos los dispositivos, las puertas y las cubiertas antes de energizar el equipo.

Figura 166 –Desmontaje de la persiana automática de las barras verticales—estilo 1



ESPAÑOL

Instalación—Estilo 2

Siga estas instrucciones al instalar el ensamble de persiana automática de la barra vertical a un entrepaño existente estilo 2. Vea las figuras 167 y 168.

⚠ PELIGRO

PELIGRO DE DESCARGA ELÉCTRICA, EXPLOSIÓN O DESTELLO POR ARQUEO

- Utilice equipo de protección personal (EPP) apropiado y siga las prácticas de seguridad en trabajos eléctricos establecidas por su Compañía, consulte la norma 70E de NFPA o Z462 de CSA y NOM-029-STPS.
- Solamente el personal eléctrico especializado deberá instalar y prestar servicio de mantenimiento a este equipo.
- Desenergice el equipo antes de realizar cualquier trabajo en él.
- Siempre utilice un dispositivo detector de tensión nominal adecuado para confirmar la desenergización del equipo.
- Vuelva a colocar todos los dispositivos, las puertas y las cubiertas antes de energizar este equipo.

El incumplimiento de estas instrucciones podrá causar la muerte o lesiones serias.

1. Desenergice el equipo antes de realizar cualquier trabajo dentro de él y siga los procedimientos de bloqueo / etiquetado. Siempre utilice un dispositivo detector de tensión nominal adecuado para confirmar la desenergización del equipo.
2. Coloque el entrepaño (figura 167, A) en el área apropiada de la estructura.

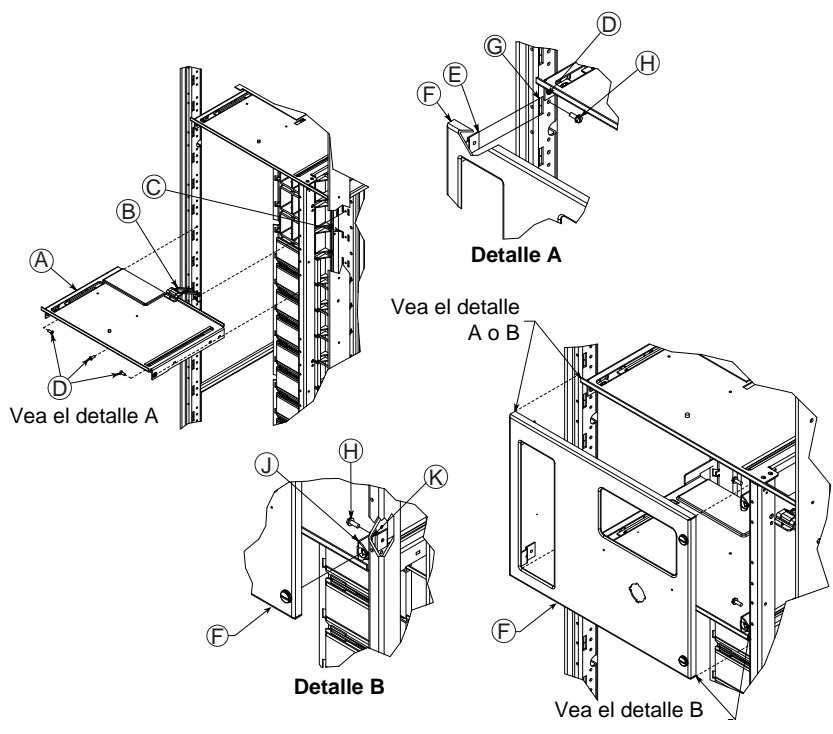
Figura 167 –Instalación del entrepaño—estilo 2

Tabla 19 – Piezas del kit de instalación del entrepaño—estilo 2

Descripción	Cantidad	Pieza
Entrepaño	2 ^①	A
Tornillo de cabeza plana	3	D
Puerta de la unidad	1	F
Tornillos de cabeza hexagonal	4 ^②	H
Receptáculo del sujetador de ¼ de vuelta	2 ^②	J

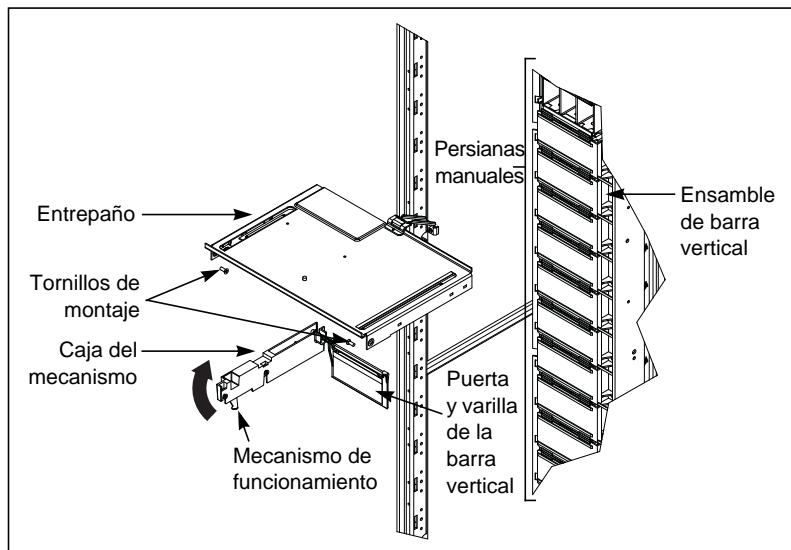
① El entrepaño viene incluido con su orden. Es posible que la estructura ya tenga instalado un entrepaño en esa ubicación.

② Se incluyen todos los herrajes necesarios para la instalación típica del entrepaño. La instalación de la puerta puede requerir herrajes adicionales.



3. Coloque la base de montaje (B) del entrepaño en las ranuras del panel de montaje (C). Sujete el entrepaño en el extremo de la pata de montaje, al lado izquierdo y derecho utilizando los tornillos de cabeza plana (detalle A, D).
4. Instale las hojas abisagradas de la puerta (detalle A, E) en las ranuras de la bisagra (G), situadas en los canales angulares de la estructura. Sujete las hojas abisagradas al canal angular de la estructura utilizando los tornillos de cabeza hexagonal (H).
5. Instale los receptáculos del sujetador (detalle B, J) en las ranuras del soporte (K) y fíjelos con los tornillos de cabeza hex. (H).
6. Instale el ensamblaje de persiana automática de la barra girando y empujando la caja del mecanismo hacia arriba para despejar el canal angular de la estructura.
7. Deslice el ensamblaje de persiana automática hacia arriba para que encaje perfectamente en el reborde izquierdo del entrepaño.
8. Sin apretar, inserte los tornillos de montaje de 10-32 x 3/8 por el reborde izquierdo interior del entrepaño y por las tuercas cuadradas en la caja.
9. Retire la persiana manual del ensamblaje de barra vertical. Deje colgar la persiana manual junto al ensamblaje de barra vertical.
10. Encaje la varilla de la persiana automática en el sujetador situado en la parte frontal de la barra vertical.
11. Apriete los tornillos de montaje de 10-32 x 3/8 que colocó en el paso 8.
12. Empuje el mecanismo operador hacia atrás, y asegúrese de que la persiana gire hacia arriba y encaje en la cavidad del entrepaño situado encima de la unidad.
13. Inserte la unidad en el CCM. Siga las instrucciones en la “Sección 4— Instalación de los CCM” on page 24.
14. Vuelva a colocar todos los dispositivos, las puertas y las cubiertas antes de energizar el equipo.

Figura 168 –Instalación de la persiana automática de la barra vertical—estilo 2



Desmontaje—Estilo 2

Siga estas instrucciones al retirar el ensamble de persiana automática de la barra vertical de un entrepaño existente estilo 2. Vea la figura 169.

⚠ PELIGRO

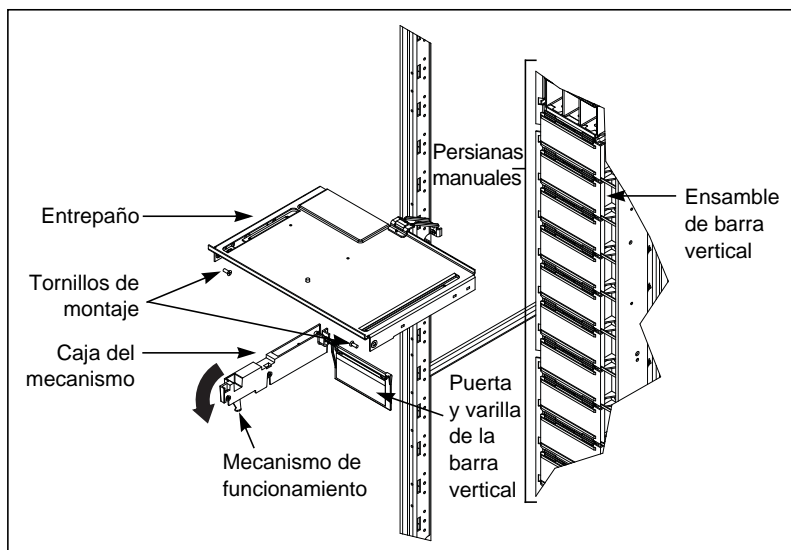
PELIGRO DE DESCARGA ELÉCTRICA, EXPLOSIÓN O DESTELLO POR ARQUEO

- Utilice equipo de protección personal (EPP) apropiado y siga las prácticas de seguridad en trabajos eléctricos establecidas por su Compañía, consulte la norma 70E de NFPA o Z462 de CSA y NOM-029-STPS.
- Solamente el personal eléctrico especializado deberá instalar y prestar servicio de mantenimiento a este equipo.
- Desenergice el equipo antes de realizar cualquier trabajo en él.
- Siempre utilice un dispositivo detector de tensión nominal adecuado para confirmar la desenergización del equipo.
- Vuelva a colocar todos los dispositivos, las puertas y las cubiertas antes de energizar este equipo.

El incumplimiento de estas instrucciones podrá causar la muerte o lesiones serias.

1. Desenergice el equipo antes de realizar cualquier trabajo dentro de él y siga los procedimientos de bloqueo / etiquetado. Siempre utilice un dispositivo detector de tensión nominal adecuado para confirmar la desenergización del equipo.
2. Retire la unidad de la estructura del CCM. Siga las instrucciones en la “Sección 4—Instalación de los CCM”.
3. Retire la varilla de la persiana automática del sujetador situado en la parte frontal del ensamble de barra vertical.
4. Inserte la persiana manual en el ensamble de barra vertical.
5. Retire los tornillos de montaje de 10-32 x 3/8 del reborde izquierdo interior del entrepaño.

Figura 169 –Desmontaje de la persiana automática de la barra vertical—estilo 2



6. Deslice el ensamble de persiana automática hacia abajo, de manera que no obstruya el entrepaño.
7. Gire el ensamble hacia abajo para despejar el canal angular frontal de la estructura.
8. Retire el ensamble de persiana automático.
9. Vuelva a colocar todos los dispositivos, las puertas y las cubiertas antes de energizar el equipo.

Funcionamiento—Estilos 1 y 2

Inserción de una unidad

Cuando se inserta una unidad en la estructura del CCM modelo 6, el mecanismo de funcionamiento abre la persiana automática de la barra lo cual permite la conexión de las lengüetas de la unidad con las barras verticales.

Desmontaje de una unidad

La persiana automática se cerrará al retirar una unidad de la estructura. La puerta de la persiana proporciona una barrera contra el contacto incidental con las barras verticales del CCM.

Apéndice D—Soporte técnico

El centro de control de motores modelo 6 incorpora varios productos de Schneider Electric en un solo paquete. A continuación figuran los números telefónicos de soporte técnico para algunos de estos productos:

Producto	Ubicación	Número telefónico de soporte técnico (en EUA)
Centros de control de motores*	Seneca, SC: Grupo de asistencia técnica del CCM (TAG)	(800) 634-2003
Equipo PowerLogic™ Software SMS-3000	La Vergne, TN: Asistencia técnica PowerLogic	(615) 287-3400
Variadores de velocidad Arrancadores suaves Arrancadores/contactores/ relevadores de sobrecarga	Raleigh, NC: Asistencia técnica de Raleigh	(888) 778-2733
Equipo y software de Schneider Automation	North Andover, MA: Central del cliente	(800) 468-5342
Equipo de aplicación industrial	Raleigh, NC	(800) 468-5342
Soporte a las organizaciones de servicio en campo	Florence, KY	(800) 634-2003

* El Grupo de asistencia técnica del CCM es su primer punto de contacto si tiene cualquier pregunta sobre el CCM; o, póngase en contacto con su distribuidor local o la oficina local de ventas de Schneider Electric.

Índice

A

alambrado de carga 79
 alambrado de control 79
 Altistart 48 137
 Altivar 61/71 137
 aplicaciones de modernización 109,
 133

B

barra de tierra
 empalme 24
 barras de distribución 26, 88
 barrera de aislamiento 40, 44
 barreras 102, 165, 169
 barras 47, 53, 58, 59
 fijas 167, 168
 canalización de cables 117
 bloque de terminales 109, 133, 148

C

canalización de cables 12, 79
 canalización de cables horizontal 27,
 63, 79, 88
 canalización de cables vertical 79,
 94, 98, 101, 139
 CCMi 117
 comunicaciones 124
 conexión de los cables 118, 124
 clips para fusibles 99
 Compac 6 102, 109, 140
 contactos del arrancador 100
 contención de arco 13, 14, 104, 139,
 140, 143, 144, 149, 180
 cubiertas de las barras horizontales
 47, 53, 58

D

dispositivos de control 100

E

elementos térmicos 156
 empaques de empalme 37
 enclavamientos del arrancador 101
 ensamble de empalme 50, 62
 ensamble de lengüetas 98
 entrada de tubo conduit 63
 expansión 139

F

fusibles 99

G

gabinets 24, 39, 87
 tipo 1 56
 conexión de secciones 26
 empalme de las barras de
 alimentación 46
 empalme de tierra 56
 sujeción sísmica 33
 tipo 1 con empaques 37
 conexión de secciones 26
 empaques de empalme 37
 sujeción sísmica 33
 tipo 12 56
 conexión de secciones 26
 empalme de las barras de
 alimentación 46
 empalme de tierra 56
 empaques de empalme 37
 sujeción sísmica 33
 tipo 3R 56
 conexión de secciones 39, 45
 empalme de tierra 56
 sujeción sísmica 34

I

interruptor automático 99, 113, 162
 interruptor desconectador 99
 interruptor fusible 99, 162

L

línea entrante 79, 87, 105
 lista de verificación de pre-
 funcionamiento 84

M

Mag-Gard 115
 mecanismo de funcionamiento 99,
 162
 mecanismo de levas con palancas
 gemelas 94
 medidas de resistencia 103
 Motor Logic 85, 108
 aplicaciones de modernización
 109

diagnóstico de problemas 151
 tamaño del relevador de
 sobrecarga 110

valores de par de apriete 110
 Motor Logic Plus 123
 programación local 126
 programación remota 127

P

pasador de la bisagra 95
 persiana de las barras 102, 178
 automática 102, 178
 manual 102
 peso de transporte 20
 PowerLogic
 soporte técnico 188
 PowerPact 113, 115, 162
 protector de circuitos de motor 113
 prueba de aislamiento 103

R

recibo 20
 relevador de protección de motor
 123
 relevador de sobrecarga 85, 101, 108
 estado sólido 108
 relevador de sobrecarga de estado
 sólido 108
 relevador de sobrecarga Motor
 Logic 108
 requisitos de espacio 24
 roldanas cónicas 51, 54, 59

S

servicio de mantenimiento 87
 barras 87
 después de una falla 104
 línea entrante 87
 registro cronológico 164
 unidad Compac 6 98
 unidad de control 90
 unidades especiales 102
 sujeción sísmica
 gabinetes tipo 1, tipo 1 con
 empaques y tipo 12 33
 gabinetes tipo 3R 34

T

TeSys T 16, 85, 123, 132, 133, 134,
152, 153
diagnóstico de problemas 152

U

unidad de 152 mm 109
unidad de control 91
 desmontaje 91, 96
 servicio de mantenimiento 90, 98
unidades especiales 102

V

valores de par de apriete 82, 90
 barra de tierra 105
 conexiones de las barras 105
 Motor Logic 110
valores de par de apriete de las
 conexiones de las barras 105
valores de par de apriete para la
 barra de tierra 90, 105

Importado en México por:

Schneider Electric México, S.A. de C.V.

Av. Ejercito Nacional No. 904

Col. Palmas, Polanco 11560 México, D.F.

55-5804-5000

www.schneider-electric.com.mx

Normas, especificaciones y diseños pueden cambiar, por lo tanto pida confirmación de que la información de esta publicación está actualizada.

AccuSine, Altivar, Altistart, Mag-Gard, Modicon, Motor Logic, Motor Logic Plus, PowerLogic, PowerPact, Square D, Schneider Electric y TeSys son marcas comerciales y propiedad de Schneider Electric SE, sus filiales y compañías afiliadas. Todas las otras marcas comerciales son propiedad de sus respectivos propietarios.

© 1999–2019 Schneider Electric Reservados todos los derechos

80459-641-01G, 04/2019

Reemplaza 60459-641-01F, 02/2018

Centres de commande de moteurs Modèle 6

Classe 8998

Directives d'utilisation

80459-641-01G

04/2019

À conserver pour usage ultérieur.



FRANÇAIS

SQUARE  TM

by Schneider Electric

Catégories de dangers et symboles spéciaux

Lisez attentivement ces directives et examinez l'appareillage pour vous familiariser avec son fonctionnement avant de faire son installation ou son entretien. Les messages spéciaux suivants peuvent apparaître dans les présentes directives ou sur l'appareil pour avertir l'utilisateur de dangers potentiels ou pour attirer l'attention sur des informations qui clarifient ou simplifient une procédure.



L'ajout d'un de ces deux symboles à une étiquette de sécurité de « Danger » ou d'« Avertissement » indique qu'un danger électrique existe et qu'il peut entraîner des blessures corporelles si les directives ne sont pas respectées.



Ceci est le symbole d'alerte de sécurité. Il est utilisé pour vous alerter de dangers de blessures corporelles potentielles. Veuillez vous conformer à tous les messages de sécurité qui suivent ce symbole pour éviter une blessure ou la mort.

⚠ DANGER

DANGER indique une situation de danger imminent qui, si elle n'est pas évitée **entraînera** la mort ou des blessures graves.

⚠ AVERTISSEMENT

AVERTISSEMENT indique une situation de danger potentiel qui, si elle n'est pas évitée, **peut entraîner** la mort ou des blessures graves.

⚠ ATTENTION

ATTENTION indique une situation de danger potentiel qui, si elle n'est pas évitée, **peut entraîner** des blessures mineures ou modérées.

AVIS

AVIS est utilisé pour commenter des pratiques sans rapport avec les blessures physiques. Le symbole d'alerte de sécurité n'est pas employé avec ce mot de signalement.

REMARQUE : Fournit des renseignements complémentaires pour clarifier ou simplifier une procédure.

Veillez noter

Seul un personnel qualifié doit effectuer l'installation, l'utilisation, l'entretien et la maintenance du matériel électrique. Schneider Electric n'assume aucune responsabilité des conséquences éventuelles découlant de l'utilisation de cette documentation.

Une personne qualifiée est une personne disposant de compétences et de connaissances dans le domaine de la construction et du fonctionnement des équipements électriques et installations et ayant bénéficié d'une formation de sécurité afin de reconnaître et d'éviter les risques encourus.

Table des matières

Section 1—À propos des Centres de commande de moteurs Modèle 6.....	12
Exigences du dispositif de protection contre les surintensités (OCPD) en amont, pour le CCM avec protection contre les défauts d'arc de 100 millisecondes .	14
Liste des documents Schneider Electric	15
Section 2—Mesures de sécurité.....	18
Section 3—Réception, manutention et entreposage des CCM.....	19
Réception des CCM	20
Manutention des CCM	20
Matériel nécessaire	20
Déplacement des CCM	21
Entreposage des CCM	23
Section 4—Installation des CCM.....	24
Mise en place des CCM	24
Exigences d'espace	24
Alignement des CCM	26
Jonction des armoires Type 1, Type 1 à joint d'étanchéité et Type 12	26
Positionnement des CCM	26
Assemblage des profilés d'angle	27
Jonction des profilés latéraux de la section	29
Fixation des structures au sol	29
Certification sismique des CCM Modèle 6	30
Responsabilité concernant la réduction des dommages sismiques	30
Fixation des structures au sol—Emplacements à risque sismique	32
Accès aux points d'ancrage sismique pour ArcBlok avec compartiment de câbles d'isolation côté ligne à acheminement par le bas.....	32
Fixation des structures au mur—Emplacements à risque sismique	34
Joints d'étanchéité de raccordement pour les armoires type 1 à joint d'étanchéité et type 12	36
Raccordement sans joint d'étanchéité (en forme de « P »)	37
Raccordement avec joint d'étanchéité (en forme de « P »)	37
Raccordement au côté gauche du joint existant	37
Raccordement au côté droit du joint existant	37
Jonction des armoires type 3R nouveau style et armoires type 3R ancien style .	38
Joindre sur le côté gauche d'une armoire type 3R de CCM existant	39
Joindre sur le côté droit d'une armoire type 3R de CCM existant	42
Joindre des armoires type 3R	44
Raccordement des barres-bus d'alimentation pour les armoires type 1 et type 12	46
CCM de jonction à barre-bus d'alimentation avec kit de jonction à barre/phase simple (600 A et 800 A, barre-bus horizontale en cuivre, court-circuit à 65 000 A ou moins, expédié après août 2012)	47

Raccordement de barre-bus d'alimentation des CCM avec un kit de raccordement de barres/phases multiples	49
Raccordement des barre-bus d'alimentation dans les armoires type 3R	51
Raccordement de la barre-bus de mise à la terre pour les armoires type 1, type 12 et type 3R	55
Épissurage de la barre-bus de m.à.l.t. pour les sections principales ArcBlok à acheminement par le bas	56
Raccordement de barre-bus d'alimentation d'une barre-bus de 2500 A à un court-circuit nominal de 100 000 A	57
Raccordement des barres-bus horizontales décalées ou 3000/3200 A (côté gauche de la structure uniquement)	60
Entrée des conducteurs	62
Entrée des conducteurs pour compartiment de câbles d'isolation côté ligne avec ArcBlok	63
Instructions de liage des câbles entrant – Compartiment de câbles d'isolation côté ligne	68
Installation des capots d'aération	72
Installation de la boîte de tirage	74
Boîte de tirage pour CCM basse tension standard	74
Boîte de tirage pour CCM basse tension ventilée	76
Câblage de charge et de contrôle	79
Ensemble de câbles avec cosses à sertissage pour une installation avec un sectionneur câblé	80
Valeurs des couples de serrage pour les connexions par câble	82
Informations sur les composants	82
Modification des emplacements des porte-fusibles	83
Section 5—Fonctionnement	84
Mise sous tension des CCM	86
Section 6—Entretien des CCM	87
Examen de l'armoire	87
Entretien des compartiments des barres-bus et de la ligne d'arrivée	87
Entretien des unités de contrôle	90
Retrait de l'unité de contrôle	91
Retrait des unités de contrôle Compac ^{MC} 6	95
Essais et entretien effectués avec l'unité de contrôle retirée	98
Remontage	102
Essai d'isolation	102
Entretien après qu'un défaut est survenu	104
Section 7—Relais de surcharge transistorisé (RSCT)	
Motor Logic ^{MC}	108
Applications de modernisation Motor Logic	109

Réglage	111
Section 8—Réglages des protecteurs de circuits de moteurs Mag-Gard^{MC}, PowerPact^{MC} et TeSys^{MC}	113
Réglage du déclenchement magnétique des protecteurs de circuits de moteurs Mag-Gard, PowerPact ou TeSys	113
Section 9—Centre de commande de moteurs intelligent (CCMi) ...	117
Présentation des CCMi	117
Présentation des réseaux/communications	117
Raccordement du système de câblage du CCMi	118
Câblage du réseau	118
Câbles entre les sections de transport	118
Câbles de charge	118
Réseau de communication	119
Ponts/répéteurs	119
Résistances de terminaison	119
Raccordement direct par câble	119
Fonctionnement	123
Listes de vérification avant la mise en service	123
Structure CCM	123
Communications du CCMi	124
Mise sous tension des CCM	125
Programmation locale du Motor Logic Plus	126
Programmation à distance du Motor Logic Plus	128
Contrôleur de gestion de moteur TeSys ^{MC}	134
Applications de modernisation TeSys T	135
Applications exigeant des passages de conducteurs	135
Programmation locale du TeSys T	136
Configuration avec une IHM	137
Configuration avec le logiciel PowerSuite ^{MC}	137
Configuration avec le logiciel SoMove	138
Appareil PowerLogic ION	138
Puissancemètre PowerLogic ^{MC} , série 800, 5500, 8000	138
Moniteur de circuits PowerLogic	138
Altivar ^{MC} 61/71	138
Altivar 630/930	138
Altistart ^{MC} 48	139
Disjoncteurs PowerPact ^{MC} munis de déclencheurs Micrologic ^{MC}	139
Adressage des dispositifs	139
Logiciel	139
Sécurité du réseau	140
Section 10—Expansion	141

Directives de commande	141
Modification des unités CCM	142
Mise hors tension de l'appareil et identification du type d'unité	142
Modification des unités détachables	143
Modification des unités fixes	144
Installation d'unités CCM supplémentaires	145
Section 11—Dépannage	150
Section 12—Résistance d'isolation.....	156
Sélection des unités thermiques des relais de surcharge	157
Section 13—Remplacement de disjoncteurs et interrupteurs à fusibles.....	163
Section 14—Journal d'installation et d'entretien	165
Annexe A—Retrait et installation des écrans isolants des barres-bus horizontales	167
Retrait	167
Installation	168
Écran isolant fixe	169
Retrait	169
Installation	170
Annexe B—Kit de modernisation pour écrans isolants des barres-bus horizontales	171
Retrait des composants existants	172
Couvercle de la goulotte guide-fils horizontale	172
Écrans isolants des barres-bus horizontales	172
Supports existants : CCM de 381 mm (15 po) de profondeur seulement ...	173
Installation du kit de modernisation	174
Supports de modernisation et capuchons d'extrémité	174
Guide inférieur et support de modernisation inférieur	176
Panneaux de gauche et de droite	177
Installation	177
Retrait (si requis).....	178
Remplacement des composants	179
Annexe C—Volet automatique des barres-bus verticales.....	180
Introduction	180
Installation—Type 1	182
Retrait—Type 1	184
Installation—Type 2	185
Retrait—Type 2	187
Fonctionnement—Types 1 et 2	188
Insertion d'une unité	188
Retrait d'une unité	188
Annexe D—Assistance technique.....	189

Liste des figures

Figure 1 – Étiquette de l'option de confinement d'arc, 100 ms, pour CCM Modèles 6 et emplacement typique sur le coffret	13
Figure 2 – Centre de commande de moteurs emballé en position allongée sur le côté (typique pour la plupart des sections)	19
Figure 3 – Centre de commande de moteurs emballé en position verticale (typique pour des sections particulièrement lourdes telles que des variateurs à 18 impulsions ou sur demande du client)	19
Figure 4 – Déplacement des CCM avec un chariot élévateur	21
Figure 5 – Emploi correct d'une élingue pour soulever un CCM	22
Figure 6 – Points de levage appropriés/inappropriés pour des unités enfichables d'une hauteur de plus de 610 mm (24 po)	23
Figure 7 – Zone requise dégagée d'obstructions	25
Figure 8 – Vues du centre de commande de moteurs	26
Figure 9 – Encoches des profilés de la base	27
Figure 10 – Kit de quincaillerie	27
Figure 11 – Boulonnage des sections ensemble	28
Figure 12 – Montage avec des profilés de base standard	29
Figure 13 – Montage d'un profilé de base pour les sections de CCM avec variateur ca à 18 impulsions	30
Figure 14 – Couvercle avant et panneau arrière du compartiment de câbles	32
Figure 15 – Emplacements des points d'ancrage sismiques pour type 1, type 1 à joint d'étanchéité et type 12	33
Figure 16 – Emplacements des points d'ancrage sismiques pour les sections CMM avec variateur ca à 18 impulsions	33
Figure 17 – Emplacements des points d'ancrage sismiques type 3R	34
Figure 18 – Emplacements des points d'attache de la fixation latérale supérieure ...	35
Figure 19 – Joint d'étanchéité (en forme de « P »)	36
Figure 20 – Retrait du déflecteur d'extrémité	39
Figure 21 – Retrait de l'écran isolant	39
Figure 22 – Installation du support du déflecteur	40
Figure 23 – Remise en place des plaques arrière	41
Figure 24 – Installation du déflecteur de raccordement	42
Figure 25 – Installation du support de sections multiples	44
Figure 26 – Retrait des capuchons des déflecteurs du milieu et d'extrémité du dessus du CCM	44
Figure 27 – Jonction des profilés verticaux	45
Figure 28 – Remplacement de la quincaillerie de la cornière de levage	45
Figure 29 – Couvercles de la goulotte guide-fils horizontale et écrans isolants des barres-bus retirés	46
Figure 30 – Application correcte de raccordement (montré installé) pour la barre-bus sans fourche de 600/800 A	47
Figure 31 – Application incorrecte de raccordement à barre simple sur une barre-bus de type à fourche	47
Figure 32 – Retrait des boulons d'une barre à raccordement simple	48
Figure 33 – Déplacement et alignement de la barre de raccordement avec les trous de la barre-bus	48
Figure 34 – Insertion de boulons de raccordement dans les sections de gauche et de droite	48
Figure 35 – Mise en place d'une rondelle conique sous la tête du boulon	48
Figure 36 – Serrage des boulons	49
Figure 37 – Retrait des boulons de gauche et desserrage des boulons de droite sur l'ensemble de raccordement	49

Figure 38 – Alignement des trous de l'ensemble de raccordement et de la barre-bus	50
Figure 39 – Insertion de boulons de raccordement	50
Figure 40 – Mise en place d'une rondelle conique sous la tête du boulon	50
Figure 41 – Serrage des boulons	51
Figure 42 – Couvertres de la goulotte guide-fils retirés et écrans isolants de barres-bus horizontales ouverts	52
Figure 43 – Boulons desserrés	52
Figure 44 – Entretoise optionnelle de 85 000 A	53
Figure 45 – Glissement de l'ensemble de raccordement vers la gauche	53
Figure 46 – Insertion de boulons de raccordement	53
Figure 47 – Mise en place d'une rondelle conique sous la tête du boulon	54
Figure 48 – Serrage de tous les boulons	54
Figure 49 – Barre-bus de raccordement de m.à.l.t. telle qu'expédiée	55
Figure 50 – Boulon de barre-bus de m.à.l.t. remis en place	55
Figure 51 – Emplacement des plaques de fermeture de m.à.l.t.	56
Figure 52 – Couvertres de la goulotte guide-fils retirés et écrans isolants de barres-bus horizontales ouverts	57
Figure 53 – Retrait des boulons de l'ensemble de raccordement	58
Figure 54 – Alignement des trous de l'ensemble de raccordement et de la barre-bus	58
Figure 55 – Insertion de boulons de raccordement	58
Figure 56 – Mise en place d'une rondelle conique sous la tête du boulon	59
Figure 57 – Serrage de tous les boulons	59
Figure 58 – Raccordement des barres-bus horizontales décalées	61
Figure 59 – Mise en place d'une rondelle conique sous la tête du boulon	61
Figure 60 – Compartiment de câbles d'isolation côté ligne et disjoncteur principal ArcBlok avec accès par le haut	63
Figure 61 – Compartiment de câbles d'isolation côté ligne et disjoncteur à cosses principal ArcBlok avec accès par le haut	64
Figure 62 – Compartiment de câbles d'isolation côté ligne et disjoncteur principal ArcBlok avec accès par le bas	65
Figure 63 – Compartiment de câbles d'isolation côté ligne et disjoncteur à cosses principal ArcBlok avec accès par le bas	66
Figure 64 – Installation et étanchéisation des conduits dans le compartiment de câbles d'isolation côté ligne	67
Figure 65 – Couverture de cosses ArcBlok en place avant le liage	68
Figure 66 – Première boucle de liage des câbles	69
Figure 67 – Groupes de liage de câbles du haut et du bas	69
Figure 68 – Barrières interphases ArcBlok	70
Figure 69 – Barrières interphases et couvercle de cosses ArcBlok	71
Figure 70 – Retrait de la quincaillerie	72
Figure 71 – Repositionner et attacher le capot d'aération	73
Figure 72 – Retrait de la quincaillerie	74
Figure 73 – Installation de la boîte de tirage	75
Figure 74 – Installer la boîte de tirage	76
Figure 75 – Retirer la quincaillerie	77
Figure 76 – Installer la boîte de tirage	78
Figure 77 – Câblage dans la goulotte guide-fils horizontale supérieure	79
Figure 78 – Passe-fil en caoutchouc de la goulotte guide-fils verticale	79
Figure 79 – Borniers détachables	79
Figure 80 – Sectionneur câblé typique	80
Figure 81 – Assemblage typique des barres-bus horizontales	81

Figure 82 – Couple de serrage des connexions des compartiments des cosses principales	82
Figure 83 – Emplacements des porte-fusibles, tailles 1 et 2	83
Figure 84 – Vérification avant la mise en service	84
Figure 85 – Points typiques de raccordement des barres-bus	89
Figure 86 – Points de raccordement de barre-bus types – Accès aux sections principales ArcBlok à acheminement par le haut	89
Figure 87 – Couple de serrage des connexions des compartiments des cosses principales	90
Figure 88 – Unité de contrôle	91
Figure 89 – Mécanisme de fonctionnement en position d'arrêt (O)	92
Figure 90 – Desserrage des fermetures imperdables	92
Figure 91 – Verrous de portes de CCM avec classification de confinement d'arc	92
Figure 92 – Libération du dispositif de blocage (quand il est fourni)	92
Figure 93 – Borniers déconnectés	93
Figure 94 – Conducteurs d'alimentation et dessus des borniers passés par le port de câblage	93
Figure 95 – Tirage en avant des manettes jumelées du mécanisme de cames	93
Figure 96 – Manœuvre de l'interverrouillage entre le mécanisme et la structure	94
Figure 97 – Dispositif verrouillé	94
Figure 98 – Unité de contrôle retirée	94
Figure 99 – Unité de contrôle avec la plaque de fond pivotée	94
Figure 100 –Chasse de la broche de charnière	95
Figure 101 –Manette de fonctionnement sur la position d'arrêt	96
Figure 102 –Desserrage des fermetures imperdables	96
Figure 103 –Plaque du poste de contrôle retirée	97
Figure 104 –Manette de fonctionnement et gachette de libération de l'interverrouillage	97
Figure 105 –Bloc de pinces d'alimentation	98
Figure 106 –Mécanisme de fonctionnement en position déclenchée	99
Figure 107 –Inspection des fusibles	99
Figure 108 –Contacts des démarreurs	99
Figure 109 –Dispositifs de contrôle	100
Figure 110 –Déclenchement du relais de surcharge	100
Figure 111 –Serrage des raccordements électriques	101
Figure 112 –Volets manuels et automatiques des barres-bus	101
Figure 113 –Points typiques de raccordement des barres-bus	105
Figure 114 –Points d'inspection après une panne	106
Figure 115 –Manœuvre du mécanisme de neutralisation de l'interverrouillage de porte	106
Figure 116 –RSCT Motor Logic	108
Figure 117 –Unité Compac ^{MC} 6 de type NEMA/EEMAC	108
Figure 118 –Unité standard de type NEMA/EEMAC	108
Figure 119 –Passages multiples	110
Figure 120 –Relais de surcharge Motor Logic (vue du bas)	111
Figure 121 –Étiquette de réglage de l'unité	112
Figure 123 –Réglage du déclenchement magnétique du PowerPact à châssis H et J	114
Figure 124 –Réglage du déclenchement instantané du disjoncteur PowerPact à châssis L	115
Figure 125 –Réglage du déclenchement instantané du protecteur PowerPact à châssis P	116
Figure 126 –Schéma de câblage typique pour Modbus® à 2 fils	120

Figure 127 –Schéma de câblage typique pour DeviceNet ^{MC} et CANopen (câble 8A)	121
Figure 128 –Schéma de câblage typique pour PROFIBUS	122
Figure 129 –Bornes du module de communication Motor Logic Plus ^{MC}	126
Figure 130 –Contrôleurs TeSys T	134
Figure 131 –Unité de contrôle classée NEMA (TeSys T Modbus)	134
Figure 132 –Emplacements typiques de l'étiquette de confinement d'arc sur les sections ou unités	141
Figure 133 –Installation de la tablette et la porte	145
Figure 134 –Tablette médiane pour les CCM avec classification de confinement d'arc	145
Figure 135 –Découpe du passe-fils en caoutchouc de la goulotte guide-fils verticale (si fourni)	146
Figure 136 –Retrait de volet manuel des barres-bus	146
Figure 137 –Engagement du mécanisme des cames	147
Figure 138 –Manettes alignées avec la face avant du CCM	147
Figure 139 –Serrage du loquet de blocage de l'unité de contrôle (si fourni)	147
Figure 140 –Réinstallation de l'unité de contrôle Compac 6	148
Figure 141 –Fils d'alimentation raccordés aux bornes de puissance	148
Figure 142 –Étiquette de couple de serrage d'une unité typique	149
Figure 143 –Raccordement des fils de contrôle aux borniers	149
Figure 145 –Remplacement du disjoncteur	164
Figure 146 –Alignement des flèches des panneaux	167
Figure 147 –Panneau de droite (vue latérale)	168
Figure 148 –Installation du panneau de droite dans la rainure arrière	168
Figure 149 –Écran isolant de barres-bus horizontales fixe	169
Figure 150 – Installation et démontage de l'écran isolant de barres-bus horizontales	170
Figure 151 –Écran isolant installé et retiré	170
Figure 152 –Composants du kit de modernisation	171
Figure 153 –Retrait des supports existants du CCM de 381 mm (15 po) de profondeur	173
Figure 154 –Support de modernisation des CCM de 381 mm (15 po) de profondeur	174
Figure 155 –Support de modernisation des CCM de 508 mm (20 po) de profondeur	175
Figure 156 –Mise en place des capuchons d'extrémité	175
Figure 157 –Support (en forme de L) d'écran des barres-bus horizontales	176
Figure 158 –Assemblages des tablettes supérieures soudées et de relais	177
Figure 159 –Panneau de droite (vue latérale)	177
Figure 160 –Installation du panneau de droite dans la rainure arrière	178
Figure 161 –Alignement des flèches des panneaux	178
Figure 162 –Emplacement du couvercle de volet automatique pour une ouverture de panneau latéral	181
Figure 163 –Volet automatique des barres-bus verticales dans un CCM (vue avant)	181
Figure 164 –Installation de la tablette—type 1	182
Figure 165 –Installation de volet automatique des barres-bus verticales	183
Figure 166 –Retrait du volet automatique des barres-bus verticales—Type 1 ..	184
Figure 167 –Installation de la tablette—type 2	185
Figure 168 –Installation de volet automatique des barres-bus verticales—type 2 ...	186
Figure 169 –Retrait du volet automatique des barres-bus verticales	187

Liste des tableaux

Tableau 1 – Documentation sur les CCM.....	15
Tableau 2 – Documentation sur les centres de commande de moteurs intelligents (CCMi)	16
Tableau 3 – Poids approximatif à l'expédition des CCM	20
Tableau 4 – Valeurs du couple de serrage pour les connexions des compartiments de cosses principales.....	82
Tableau 5 – Valeurs du couple de serrage pour les disjoncteurs principales et de dérivation	82
Tableau 6 – Valeurs du couple de serrage des raccordements des barres-bus	90
Tableau 7 – Valeurs du couple de serrage des raccordements des barres-bus ..	105
Tableau 8 – Types de cosses et calibres de fils	110
Tableau 9 – Broches pour les réseaux de CCMi	118
Tableau 10 – Broches de connexion au réseau.....	119
Tableau 11 – Afficheur d'erreurs local	127
Tableau 12 – Codes de ligne de commande	128
Tableau 13 – Description des adresses de Motor Logic Plus	129
Tableau 14 – Registres de lecture seulement.....	130
Tableau 15 – Registres de lecture/écriture	132
Tableau 16 – Pièces du kit d'installation de la tablette	145
Tableau 17 – Tableau de dépannage des centres de commande de moteurs...	151
Tableau 18 – Pièces du kit d'installation de la tablette—type 1	182
Tableau 19 – Pièces du kit d'installation de la tablette—type 2	185

Section 1—À propos des Centres de commande de moteurs Modèle 6

Les centres de commande de moteurs (CCM) offrent la méthode qui convient le mieux pour grouper des commandes de moteurs électriques et autres dispositifs connexes dans une installation compacte, économique et autonome. Un centre de commande de moteurs se compose de sections verticales normalisées consistant en structures totalement fermées, à écran isolant, autonomes boulonnées ensemble. Ces sections reçoivent et abritent des unités de contrôle, un jeu de barre-bus commun pour la distribution de l'alimentation aux unités de contrôle, un réseau de goulottes guide-fils et des zones d'entrée de conducteurs pour accommoder les fils de charge et de contrôle.

Les unités de contrôle comportent des composants tels que des démarreurs combinés de moteurs, des dispositifs d'alimentation de dérivation et des panneaux d'éclairage. Chaque unité est montée dans un compartiment individuel, isolé, muni de son propre couvercle. Lorsqu'un agencement d'unités sur la face avant du panneau est choisi, toutes les unités sont montées sur la face avant du CCM. Une section d'une profondeur de 381 mm (15 po) ou 508 mm (20 po) est fournie pour montage sur face avant de panneau. La profondeur d'un CCM standard est de 508 mm (20 po) avec une goulotte guide-fils verticale de 102 mm (4 po) de largeur.

Une section optionnelle de 635 mm (25 po) de largeur avec une goulotte guide-fils de 229 mm (9 po) de largeur est également disponible. Des sections plus grandes sont disponibles pour le montage d'un matériel plus important. Lorsqu'un agencement dos à dos est choisi, les unités sont montées sur l'avant et l'arrière de structures ayant une profondeur de 787 mm (31 po) ou 1041 mm (41 po). Il y a un espace d'environ 25 mm (1 po) entre les sections montées dos à dos. La hauteur standard de toutes les structures CCM est de 2 324 mm (91,5 po) sans la cornière de levage de 76,2 mm (3 po).

REMARQUE : Les CCM Modèle 6 peuvent être équipés d'une boîte de tirage située sur la partie supérieure et susceptible d'ajouter jusqu'à 18 po en hauteur à la section. Les CCM avec option ArcBlok™ Top Entry sont équipés en standard d'une boîte de tirage de 18 po.

Les CCM modèle 6 sont disponibles avec une option de protection contre les défauts d'arc électrique qui offre une classification de confinement d'arc essayée selon les directives ANSI C37.20.7-2007. Des caractéristiques supplémentaires de renforcement et de décompression sont ajoutées au CCM modèle 6 pour satisfaire à la classification de confinement d'arc. Se reporter à ANSI C37.20.7-2007 pour les exigences spécifiques d'essais auxquelles le CCM modèle 6 avec protection contre les défauts d'arc a été soumis.

Le CCM modèle 6 avec protection contre les défauts d'arc peut fournir un confinement d'arc renforcé en cas de défaut de formation d'arc à l'intérieur du CCM. Il s'agit d'une caractéristique importante ainsi que d'autres renforcements contre les éclairs d'arc disponibles avec les CCM modèle 6. Contacter le représentant des ventes local Schneider Electric pour plus de renseignements sur les options contre les éclairs d'arc pour le CCM modèle 6.

Un CCM modèle 6 avec l'option de protection contre les défauts d'arc comprend une étiquette (figure 1) qui indique la performance et les exigences nécessaires pour maintenir la classification.

La classification de confinement d'arc est applicable à l'avant, aux côtés et à l'arrière du CCM (défini comme type 2 dans ANSI C37.20.7-2007).

Ce bulletin contient les directives spécifiques sur l'entretien, la modification et l'expansion pour les CCM modèle 6 avec l'option de protection contre les défauts d'arc. Ces directives doivent être observées pour maintenir la classification de confinement d'arc du CCM. Pour satisfaire la classification de confinement d'arc,

les « Exigences supplémentaires de dispositif de protection contre les surintensités (OCPD) en amont, pour le CCM avec protection contre les défauts d'arc de 100 millisecondes » de la page suivante doivent être respectées.

REMARQUE : L'application de l'option de la protection contre les défauts d'arc pour les CCM modèle 6, satisfaisant aux exigences ANSI C37.20.7-2007, n'élimine pas les exigences concernant l'utilisation d'un équipement de protection personnelle (ÉPP).

Figure 1 – Étiquette de l'option de confinement d'arc, 100 ms, pour CCM Modèles 6 et emplacement typique sur le coffret

Informations sur la classification de confinement d'arc

Ce centre de commande de moteurs a été essayé et répond aux exigences de la norme ANSI C37.20.7 au niveau suivant :

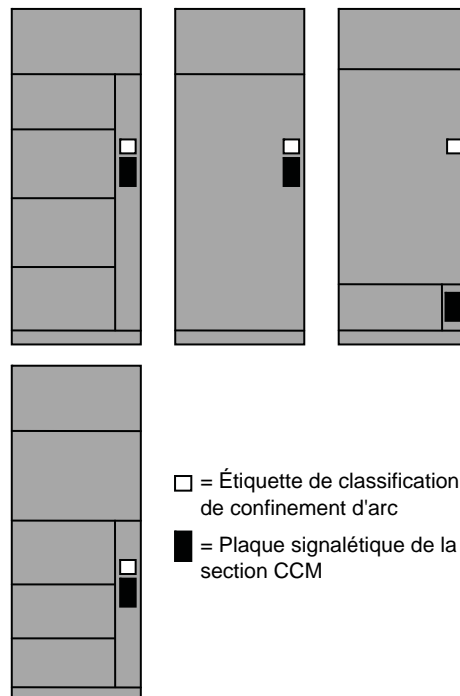
- Accessibilité type 2
- La protection contre un évènement interne de formation d'arcs est LIMITÉE PAR LE DISPOSITIF
- Le temps maximum de réarmement pour le dispositif de protection sera de 50 millisecondes
- Le courant maximum de court-circuit est de 65 000 A RMS symétriques
- Durée d'arc de 100 millisecondes

Attention

Les valeurs nominales ci-dessus s'appliquent lorsque toutes les conditions suivantes sont satisfaites :

- Toutes les directives d'installation, de fonctionnement et d'entretien fournies par l'usine sont suivies
- L'appareil sera coordonné électriquement et protégé par un disjoncteur ou des fusibles comme décrit dans le document 80459-641-01
- Toutes les unités montées dans le centre de commande de moteurs sont étiquetées en tant que « Unité classée avec confinement d'arc »
- Si joint à une autre section, ce doit être une autre section d'un centre de commande de moteurs Modèle 6 qui a été certifiée comme satisfaisant aux exigences de la norme ANSI C37.20.7
- Toutes les portes sont fermées et toute quincaillerie fournie est engagée
- Tous les couvercles et panneaux extérieurs sont fixés à l'aide de toute la quincaillerie fournie
- Toutes les cloisons internes sont installées et fixées à l'aide de toute la quincaillerie fournie
- La tension ne dépasse pas la valeur nominale indiquée sur la plaque signalétique
- Aucune modification n'a été apportée au circuit d'alimentation ni aux composants structurels des unités/sections fournies par l'usine
- Pour tout endommagement de cet appareil, contacter les services Schneider Electric pour arranger une réparation de l'appareil.

Pour obtenir de plus amples renseignements, se reporter aux directives d'utilisation 80459-641-01.



FRANÇAIS

Exigences du dispositif de protection contre les surintensités (OCPD) en amont, pour le CCM avec protection contre les défauts d'arc de 100 millisecondes

L'OCPD externe au CCM et en amont de celui-ci doit répondre aux critères suivants :

1. Le courant nominal du OCPD en amont doit être inférieur ou égal à la valeur nominale du dispositif principal et de la barre-bus principale du CCM.
2. La tension nominale de l'OCPD en amont doit être supérieure ou égale à la tension nominale du CCM. La tension maximale est de 600 V.
3. La valeur nominale d'interruption de l'OCPD en amont doit être supérieure ou égale au courant de court-circuit disponible. La valeur maximale de courant de court-circuit disponible est de 65 000 A.
4. Le réglage de déclenchement instantané (si disponible) de l'OCPD en amont ne doit PAS être désactivé et doit être réglé pour un déclenchement à 35 000 A ou moins.
5. Le réglage de déclenchement de retard à temps court (si disponible) de l'OCPD en amont DOIT être réglé à la position d'arrêt (OFF) ; aucun retard intentionnel n'est autorisé.
6. Disjoncteurs approuvés qui peuvent être utilisés comme l'OCPD en amont :
 - 15–125 A, disjoncteurs PowerPact^{MC} à châssis B fabriqués par Schneider Electric
 - 15–150 A, disjoncteurs PowerPact^{MC} à châssis H fabriqués par Schneider Electric
 - 175–250 A, disjoncteurs PowerPact à châssis J fabriqués par Schneider Electric
 - 300–600 A, disjoncteurs PowerPact à châssis L munis de déclencheurs Micrologic^{MC} fabriqués par Schneider Electric
 - 700–1200 A, disjoncteurs PowerPact à châssis PJ ou PL munis de déclencheurs Micrologic, fabriqués par Schneider Electric
 - 1200–2500 A, disjoncteurs PowerPact à châssis R munis de déclencheurs Micrologic, fabriqués par Schneider Electric
 - 800–1200 A, disjoncteurs Masterpact^{MC} NT munis de déclencheurs Micrologic, fabriqués par Schneider Electric
 - 1600–2500 A, disjoncteurs Masterpact NW munis de déclencheurs Micrologic, fabriqués par Schneider Electric
7. Fusibles approuvés qui peuvent être utilisés comme l'OCPD en amont :
 - 15–600 A, inscrit UL, classe RK1 de n'importe quel fabricant
 - 15–600 A, inscrit UL, classe RK5 de n'importe quel fabricant
 - 15–600 A, inscrit UL, classe J de n'importe quel fabricant
 - 700–2500 A, inscrit UL, classe L de n'importe quel fabricant

Liste des documents Schneider Electric

Les documentations Schneider Electric suivantes peuvent être utiles pour l'entretien et l'utilisation régulière des CCM Modèle 6. Votre représentant des ventes local Schneider Electric peut les fournir sur demande. Ou il est encore possible de télécharger ces documents de la bibliothèque technique à www.schneider-electric.us/en/download.

Tableau 1 – Documentation sur les CCM

N° de publication	Titre	N° de publication	Titre
8998CT9701	Centres de commande de moteurs (Modèle 6, classe 8998)	30072-013-26	Contacteurs et démarreurs magnétiques ca, taille 4
80444-233-01	Variateurs de vitesse Altivar ^{MC} 61/71 dans centres de commande de moteurs	30072-013-47	Contacteurs et démarreurs magnétiques ca, taille 5
80438-069-02	Unités de démarrage progressif Altistart ^{MC} 48 dans centres de commande de moteurs	30072-013-60	Contacteurs et démarreurs magnétiques ca, taille 6
80439-666-01	Remplacement de l'assemblage du sectionneur	3020IM9503	Puissancemètre PowerLogic ^{MC}
80445-750-01	Restrictions d'emplacement pour l'installation d'une unité de testeur d'absence de tension (TAT) VeriSafe ^{MC} dans un centre de commande de moteurs (CCM) modèle 6	3020IM9806	Manuel de référence du moniteur de circuits PowerLogic, série 2000
80459-652-01	Démarreurs progressifs Altistart 22 dans les centres de commande de moteurs	63230-400-207	Manuel de référence du moniteur de circuits PowerLogic, série 3000
80459-654-01	Centres de commande de moteurs Modèle 6 avec classification de confinement d'arc	63230-300-213	Manuel de référence du moniteur de circuits PowerLogic, série 4000
80459-655-01	Unité d'embrochage à porte fermée (CDR) pour les centres de commande de moteurs à basse tension (LVMCC) modèle 6 de Square D ^{MC}	0100CT1901	Schneider Electric Digest
80459-656-01	Directives d'épissurage : 1600 A	63230-500-224	Manuel d'installation de centrale de mesure
80466-258-01	Installation d'un kit de boîte de tirage dans le centre de commande de moteur (CCM) modèle 6 avec classification de confinement d'arc (AR) Square D ^{MC}	63230-500-225	Guide d'utilisation de centrale de mesure PowerLogic ^{MC} de la série 800 (PM820, PM850, PM870)
48040-732-04	Disjoncteurs LC et LI	NHA80932	Altivar Process - Variateurs de vitesse ATV930, ATV950 - Guide d'installation
48049-034-04	Disjoncteurs LA, LAMC, LH, LHMC, SLA et Q4	NHA80757	Altivar Process - Variateurs de vitesse ATV930, ATV950, ATV960, ATV980 - Guide de programmation
48940-115-03	Disjoncteurs à déclenchement instantané GJL Mag-Gard	EAV64301	Altivar Process - Variateurs de vitesse ATV630, ATV650 - Guide d'installation
48940-260-01	Réglages du protecteur de circuits de moteurs (PCM) pour protecteurs de circuits de moteurs PowerPact à châssis H et J	EAV64318	Altivar Process - Variateurs de vitesse ATV630, ATV650, ATV660 - Guide de programmation
48940-274-01	Installation des disjoncteurs PowerPact ^{MC} à châssis H et J à déclenchement électronique	HRB1684301	Guide d'utilisation de PowerLogic série PM5500
S1A10942	Guide de démarrage rapide — ATV312	7EN02-0336	Guide d'utilisation de PowerLogic série PM8000
30072-013-29	Relais de surcharge transistorisé Motor Logic ^{MC}	NVE78642	Manuel d'installation PowerLogic série ION9000
30072-013-98	Relais de surcharge transistorisé programmable Motor Logic Plus ^{MC}	7EN02-0390-00	Manuel d'utilisation PowerLogic série ION9000
30072-013-99	Logiciel Solutions Motor Logic Plus	QGH42230	Manuel d'installation de l'afficheur PowerLogic RD192
30072-013-101	Kit de cosses à cosses Motor Logic Plus	NVE41289	Manuel d'installation des entraînements à vitesse
30072-013-102	Module de communication réseau Motor Logic Plus	NVE41295	Manuel de programmation des entraînements à
30072-013-52	Contacteurs et démarreurs magnétiques ca, taille 00	DOCA0102EN	Manuel d'utilisation de l'unité de contrôle Masterpact
30072-013-22	Contacteurs et démarreurs magnétiques ca, taille 0	PHA53377	Instructions de déballage Masterpact MTZ
30072-013-23	Contacteurs et démarreurs magnétiques ca, taille 1	NVE35470	Instructions des disjoncteurs et interrupteurs-sectionneurs débrochables Masterpact MTZ2/MTZ3
30072-013-24	Contacteurs et démarreurs magnétiques ca, taille 2	MFR21149	Manuel d'utilisation du kit dongle de surveillance
30072-013-25	Contacteurs et démarreurs magnétiques ca, taille 3		

Tableau 2 – Documentation sur les centres de commande de moteurs intelligents (CCMi)

N° de publication	Titre	N° de publication	Titre
atv71_parameters_en	Manuel de l'utilisateur sur les paramètres de communication de l'Altivar® 71	1639576	TeSys T LTM R Modbus/TCP; Contrôleur de gestion de moteur—Guide de démarrage rapide
atv71_programming_manual_en	Directives de programmation; Altivar 71	1639581	TeSys T LTM CU; Unité de contrôle opérateur—Manuel utilisateur
atv71_Modbus_EN	Carte Modbus®/Uni-Telway ^{MC} pour Altivar 71—Protocole Modbus	1639508_01a55	LTM R - Fiche d'instructions
atv71_Uni-Telway_EN	Carte Modbus/Uni-Telway pour Altivar 71—Protocole UniTelway	1639509_01a55	LTM E - Fiche d'instructions
BBV46391	Directives d'installation du variateur de vitesse ca Altivar 312	1639582_01a55	LTM CU - Fiche d'instructions
BBV46385	Directives de programmation du variateur de vitesse ca Altivar 312	840USE10000	Modicon ^{MC} TSX, série d'automatisation Quantum
890USE10300	Guide de l'utilisateur du pont multiplex BM85 de réseau Modicon Modbus Plus ^{MC}	840USE11300	Bloc de fonctions Modicon XMIT
Modicon TSX Quantum Automation Series	www.modicon.com/specguide98/	840USE11600	Guide de l'utilisateur des modules Ethernet Quantum NOE 771 X0
PI-MBUS-300	Guide de référence du protocole Modbus – Modicon	870USE00200	Guide de l'utilisateur de base des E/S Momentum TSX ^{MC}
30072-013-98	Relais de surcharge transistorisé programmable Motor Logic Plus ^{MC}	870USE10100	Guide de l'utilisateur de l'adaptateur du processeur Momentum M1 Modicon TSX et de l'adaptateur d'options
30072-013-99	Logiciel Solutions pour le RSCT Motor Logic Plus	870USE11400	Adaptateur de communication Ethernet
30072-013-101	Kit de cosses à cosses Motor Logic Plus	890USE10000	Guide de planification/installation de réseau Modbus Plus Modicon
30072-013-102	Module de communication réseau Motor Logic Plus	3000DB0001	Guide d'architecture et d'application du système PowerLogic ^{MC}
30072-450-61	Contrôleurs de démarrage progressif Altistart ^{MC} 48, gamme Y	3020IB9818	Module de communication PowerLogic, Ethernet, modèles ECM-2000 et ECM-RM
1639501	TeSys ^{MC} T LTM R Modbus; Contrôleur de gestion de moteur – Manuel utilisateur	63230-500-200	Guide d'installation du puissance-mètre PowerLogic série 800—PM810
1639502	TeSys T LTM R PROFIBUS; Contrôleur de gestion de moteur – Manuel utilisateur	63230-500-224	Guide d'installation du puissance-mètre PowerLogic série 800— PM820, PM850, PM870
1639503	TeSys T LTM R CANopen; Contrôleur de gestion de moteur – Manuel utilisateur	63230-400-204	Guide d'installation du moniteur de circuits PowerLogic, série 3000
1639504	TeSys T LTM R DeviceNet ^{MC} ; Contrôleur de gestion de moteur – Manuel utilisateur	63230-300-209	Guide d'installation du moniteur de circuits PowerLogic, série 4000
1639505	TeSys T LTM R Modbus/TCP; Contrôleur de gestion de moteur – Manuel utilisateur	3050IM9601	Pont Ethernet PowerLogic
1639572	TeSys T LTM R Modbus; Contrôleur de gestion de moteur—Guide de démarrage rapide	3080HO9601	Logiciel System Manager ^{MC} SMS-3000
1639573	TeSys T LTM R PROFIBUS-DP®; Contrôleur de gestion de moteur—Guide de démarrage rapide	3080IB9803	PL, System Manager 3000 PowerLogic
1639574	TeSys T LTM R CANopen; Contrôleur de gestion de moteur—Guide de démarrage rapide	3080IM9603	Driver Ethernet pour System Manager
1639575	TeSys T LTM R DeviceNet; Contrôleur de gestion de moteur—Guide de démarrage rapide		

Tableau 2 – Documentation sur les centres de commande de moteurs intelligents (CCMi) (a continué)

N° de publication	Titre	N° de publication	Titre
EAV64327	Altivar Process - Variateurs de vitesse ATV600 pour moteurs asynchrones et synchrones - Guide Ethernet incorporé	NHA80940	Altivar Process 900 Guide Ethernet incorporé
EAV64328	Altivar Process - Variateurs de vitesse ATV600 pour moteurs asynchrones et synchrones - Guide EthernetIP Modbus TCP : VW3A3720	NHA80941	Altivar Process 900 Guide PROFIBUS DP : VW3A3607
EAV64329	Altivar Process 600 - Guide PROFIBUS DP : VW3A3607	NHA80942	Altivar Process - Variateurs de vitesse 900 pour moteurs asynchrones et synchrones - Guide DeviceNet : VW3A3609
EAV64330	Altivar Process - Variateurs de vitesse 600 pour moteurs asynchrones et synchrones - Guide DeviceNet : VW3A3609	NHA80945	Altivar Process 900 Guide CANopen : VW3A3608, 618, 628
EAV64333	Altivar Process - Variateurs de vitesse ATV600 pour moteurs asynchrones et synchrones - Guide CANopen : VW3A3608, 618, 628	NHA80946	Altivar Process - Variateurs de vitesse 900 - Guide EtherCAT : VW3A3601

Section 2—Mesures de sécurité

Lire et observer attentivement les mesures de sécurité avant de soulever, déplacer, installer, utiliser ou entretenir les CCM Modèle 6 et leurs composants.

⚠ DANGER

RISQUE D'ÉLECTROCUTION, D'EXPLOSION OU D'ÉCLAIR D'ARC

- Portez un équipement de protection personnelle (ÉPP) approprié et observez les méthodes de travail électrique sécuritaire. Voir NFPA 70E ou CSA Z462.
- Seul un personnel qualifié doit effectuer l'installation et l'entretien de cet appareil.
- Un personnel qualifié doit exécuter le travail conformément aux codes nationaux et locaux en vigueur.
- N'entreprenez ce travail qu'après avoir lu et compris toutes les explications contenues dans ces directives.
- Observez toutes les mesures de sécurité définies dans NFPA-70E et OSHA 1910.331-335, ainsi que celles spécifiques établies par votre compagnie pour ce lieu.
- Coupez l'alimentation de l'appareil avant d'y travailler.
- Considérez que tous les circuits sont sous tension jusqu'à ce qu'ils aient été complètement mis hors tension, testés, verrouillés ou étiquetés (selon OSHA 1910.147). Faites particulièrement attention à l'agencement du système d'alimentation. Considérez toutes les sources d'alimentation, y compris la possibilité de rétro-alimentation.
- Utilisez toujours un dispositif de détection de tension ayant une valeur nominale appropriée pour vous assurer que l'alimentation est coupée.
- Remplacez tous les dispositifs, les portes et les couvercles avant de mettre l'appareil sous tension.

Si ces directives ne sont pas respectées, cela entraînera la mort ou des blessures graves.

⚠ AVERTISSEMENT

COMPROMIS POTENTIEL DE DISPONIBILITÉ, D'INTÉGRITÉ ET DE CONFIDENTIALITÉ DU SYSTÈME

- Changez les mots de passe par défaut afin d'aider à prévenir un accès non autorisé aux réglages et informations du dispositif.
- Désactivez les points d'accès/services et comptes par défaut non utilisés, quand c'est possible, pour réduire au minimum les passages d'attaques malicieuses.
- Placez les dispositifs en réseau derrière des couches multiples de cybersécurité (telles que des coupe-feux, une segmentation du réseau et un système de détection d'intrusion dans le réseau).
- Utilisez les meilleures méthodes de cybersécurité (par exemple : moins de privilèges, la séparation des obligations) afin d'aider à prévenir une exposition non autorisée, une perte, une modification de données et de journaux, l'interruption de services ou un fonctionnement inattendu.

Si ces directives ne sont pas respectées, cela entraînera la mort, des blessures graves, des dommages matériels ou la perte de données.

⚠ AVERTISSEMENT : Ce produit peut vous exposer à des agents chimiques, y compris composés de nickel, identifiés par l'État de Californie comme pouvant causer le cancer, et Bisphénol A (BPA) reconnu par l'État de Californie comme pouvant causer des malformations congénitales ou autres troubles de l'appareil reproducteur. Pour de plus amples informations, prière de consulter www.P65Warnings.ca.gov.

Section 3—Réception, manutention et entreposage des CCM

Les CCM sont construits en blocs de transport comportant jusqu'à trois sections verticales. Cela facilite la manutention durant le transport et l'installation. Les jeux de barres-bus horizontaux principaux de tous les blocs de transport seront raccordés ensemble au site de l'installation à l'aide de barres de raccordement horizontales imperdables.

Avant son expédition de l'usine, les CCM sont inspectés visuellement, électriquement et mécaniquement par des analystes professionnels du contrôle de la qualité. Une certification des essais de contrôle de la qualité est disponible sur demande.

Après avoir quitté le contrôle de la qualité, chaque bloc de transport est soigneusement emballé et attaché à une palette (voir les figures 2 et 3).

Figure 2 – Centre de commande de moteurs emballé en position allongée sur le côté (typique pour la plupart des sections)



Figure 3 – Centre de commande de moteurs emballé en position verticale (typique pour des sections particulièrement lourdes telles que des variateurs à 18 impulsions ou sur demande du client)



Réception des CCM

À la réception, vérifier si le CCM est en bon état. La remise d'un équipement à un transporteur à n'importe quelle usine ou autre lieu d'expédition de Schneider Electric constitue une livraison à l'acheteur. La propriété et tout risque de perte ou de dommage durant le transport passent alors à l'acheteur. Pour plus de détails, consulter les conditions de vente de Schneider Electric. Toutes les réclamations en matière de perte ou de dommage doivent être adressées par l'acheteur au transporteur.

Si le matériau d'emballage est retiré, le remettre en place à titre de protection jusqu'à l'installation du CCM.

Manutention des CCM

▲ AVERTISSEMENT

RISQUE DES BLESSURES OU DE DOMMAGES MATÉRIELS

- Prenez des précautions extrêmes lorsque vous déplacez des sections. Les CCM possèdent un centre de gravité haut placé, qui peut le faire basculer.
- N'essayez pas de soulever ou d'attacher des systèmes de levage aux sections munies de boîtes de tirage.

Si ces directives ne sont pas respectées, cela peut entraîner la mort ou des blessures graves.

Matériel nécessaire

Un matériel adéquat, tel qu'un chariot élévateur, une grue ou des tiges et tuyaux, doit être disponible pour manipuler les CCM. Le tableau 3 indique le poids approximatif à l'expédition des sections équipées d'unités typiques. En cas de besoin de plus de poids exacts d'expédition pour une configuration particulière, prière de contacter le groupe d'assistance technique du CCM au 800-634-2003.

Tableau 3 – Poids approximatif à l'expédition des CCM

Type d'armoire		Profondeur	Une section	Deux sections	Trois sections
1, 1A, 12		381 mm (15 po)	272 kg (600 lb)	544 kg (1200 lb)	816 kg (1800 lb)
Armoire dans laquelle on ne peut pas entrer 3R		381 mm (15 po) (676 mm hors-tout / 26,6 po)	408 kg (900 lb)	816 kg (1800 lb)	1225 kg (2700 lb)
1, 1A, 12		508 mm (20 po)	340 kg (750 lb)	680 kg (1500 lb)	1021 kg (2250 lb)
Armoire dans laquelle on ne peut pas entrer 3R		508 mm (20 po) (803 mm hors-tout / 31,6 po)	476 kg (1050 lb)	953 kg (2100 lb)	1429 kg (3150 lb)
Variateur à 18 impulsions	Largeur de 1270 mm (50 po)	508 mm (20 po)	N/A	956 kg (2107 lb)	N/A
	Largeur de 1651 mm (65 po)			1277 kg (2816 lb)	

Déplacement des CCM

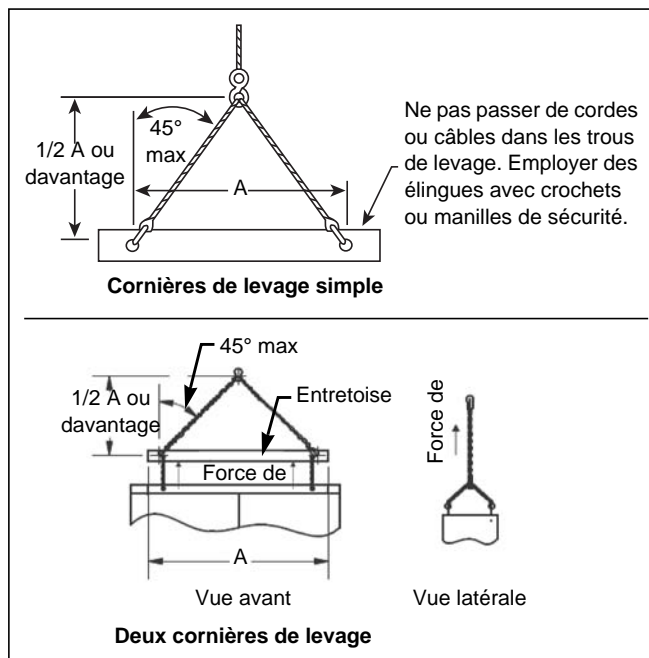
Le poids varie avec le type et la profondeur des armoires comme indiqué au tableau Tableau 3 – à la page 20. Pour minimiser le risque de blessures et de dommages matériels pendant le déplacement des CCM, prenez connaissance des consignes qui suivent :

- Prendre des précautions lors du déplacement d'un matériel lourd.
- Vérifier si l'appareil utilisé pour le déplacement est adéquat pour supporter le poids.
- Les chariots élévateurs, lorsqu'ils sont disponibles, offrent une méthode pratique de déplacement des CCM (figure 4). Lors du retrait d'un CCM de sa palette de transport, l'équilibrer avec soin et bien le fixer à l'aide d'une sangle de sécurité.

REMARQUE : Les sections standard sont emballées et expédiées en position allongée sur le côté, comme illustré par la figure 2 à la page 19 et la figure 4 à la page 21. Les sections particulièrement lourdes, telles que les variateurs à 18 impulsions, sont emballées et expédiées en position verticale, comme illustré par la figure 3 à la page 19. Les sections de CCM peuvent être également emballées et expédiées en position verticale sur demande du client.

Figure 4 – Déplacement des CCM avec un chariot élévateur



Figure 5 – Emploi correct d'une élingue pour soulever un CCM

- Chaque section de transport est munie des cornières de levage pour la manutention des CCM à l'aide de grues mobiles. Prendre les précautions suivantes lors de l'utilisation d'une grue :
 - a. Manier les CCM en position verticale uniquement.

Choisir des longueurs d'accrochage qui compensent toute répartition inégale du poids.

- b. Ne pas dépasser l'angle maximum de 45° entre la verticale et les élingues de levage (figure 5).
- c. Employer des élingues avec crochets ou manilles de sécurité uniquement. Ne pas passer de cordes ou câbles dans les trous des cornières de levage.

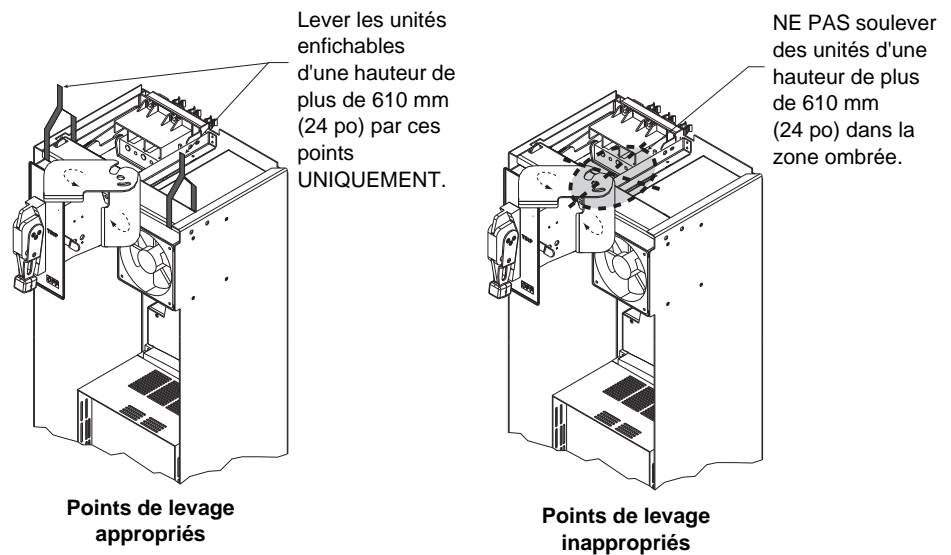
Après avoir mis une section de transport en place, ses cornières de levage peuvent être retirées et jetées. Pour éviter la pénétration de tous corps étrangers, replacer toute la quincaillerie qui fixait les cornières de levage.

Les CCM modèle 6 avec l'option de protection contre les défauts d'arc doivent avoir la cornière de levage retirée pour maintenir la classification de confinement d'arc et permettre le fonctionnement correct des volets d'évent de confinement d'arc. Mettre de côté la quincaillerie de la cornière de levage pour installer l'assemblage de la plaque supérieure (expédié séparément pour les CCM avec protection contre les défauts d'arc).

La cornière de levage des CCM Modèle 6 avec option ArcBlok doit être retirée et mise au rebut. Le capot d'aération doit ensuite être déplacé vers l'emplacement de l'évent. Afin d'empêcher la pénétration de corps étrangers, remettre en place toute la quincaillerie de fixation de la cornière.

REMARQUE : Ne pas essayer de lever ni d'attacher des systèmes de levage aux sections munies de boîtes de tirage.

Figure 6 – Points de levage appropriés/inappropriés pour des unités enfichables d'une hauteur de plus de 610 mm (24 po)



Observer les précautions suivantes concernant les unités du CCM expédiées sur le site en tant qu'unités enfichables.

- Le levage des unités enfichables d'une hauteur de plus de 610 mm (24 po) nécessite deux ou plusieurs personnes prenant des précautions de manutention et utilisant des dispositifs de levage spéciaux.
- Si des dispositifs de levage sont utilisés, se reporter à la figure 6 pour les points de levage appropriés.

Avant d'installer des unités de contrôle de CCM, trouver et resserrer ou remettre au couple approprié toutes connexions qui ont pu se relâcher en cours d'expédition et de manutention. Se reporter aux procédures dans "Installation d'unités CCM supplémentaires" on page 145 de ces directives d'utilisation.

Entreposage des CCM

AVIS

RISQUE DE DOMMAGES MATÉRIELS

N'entrez jamais les CCM à l'extérieur. L'entreposage à l'extérieur est inadéquat, même avec la protection d'une bâche.

Si cette directive n'est pas respectée, cela peut entraîner des dommages matériels.

Si le CCM ne peut pas être mis en service à sa réception, l'entreposer dans un endroit propre, sec et ventilé, non exposé à des températures extrêmes. Les températures d'entreposage acceptables vont de 0 à 40 °C (32 à 104 °F). Les niveaux acceptables d'humidité sont de 0 à 95 %, sans condensation.

Si l'endroit d'entreposage est frais ou humide, fournir suffisamment de chauffage pour empêcher toute condensation à l'intérieur du CCM. Contacter votre représentant de ventes Schneider Electric pour toutes exigences spécifiques.

Section 4—Installation des CCM

Cette section explique comment placer, installer et joindre les armoires des CCM Modèle 6, et comment raccorder la barre-bus d'alimentation et la barre-bus de mise à la terre. Consulter les plans d'élevation de la face avant du CCM fournis par Schneider Electric pour l'emplacement/la mise en place des unités de transport/sections dans chaque alignement de CCM. Pour des informations relatives au retrait et à l'installation d'unités existantes et nouvelles, voir la « Section 10—Expansion » à la page 141, ou les informations jointes à l'expédition du dispositif neuf.

Mise en place des CCM

⚠ DANGER

RISQUE D'ÉLECTROCUTION, D'EXPLOSION OU D'ÉCLAIR D'ARC

- Portez un équipement de protection personnelle (ÉPP) approprié et observez les méthodes de travail électrique sécuritaire. Voir NFPA 70E ou CSA Z462.
- Seul un personnel qualifié doit effectuer l'installation et l'entretien de cet appareil.
- Coupez l'alimentation de l'appareil avant d'y travailler.
- Utilisez toujours un dispositif de détection de tension ayant une valeur nominale appropriée pour vous assurer que l'alimentation est coupée.
- Remplacez tous les dispositifs, les portes et les couvercles avant de mettre l'appareil sous tension.
- Lors du déplacement des sections CCM, observez les directives de « Manutention des CCM » à la page 20. Les CCM ont un centre de gravité haut placé, qui peut les faire basculer.

Si ces directives ne sont pas respectées, cela entraînera la mort ou des blessures graves.

Les CCM sont conçus pour une utilisation dans des emplacements à atmosphère non-explosive. Choisir un emplacement d'installation bien ventilé et exempt d'un excès d'humidité, de poussière et de saleté. La température de l'endroit ne doit pas être inférieure à 0 °C (32 °F) ni supérieure à 40 °C (104 °F). Protéger l'armoire de toute pénétration d'eau ou d'humidité.

Exigences d'espace

Installer les CCM dans un endroit possédant un espace dégagé minimum de 0,9 m (3 pi) sur le devant pour une construction sur la face avant du panneau. Un dégagement supplémentaire de 0,9 m (3 pi) est nécessaire à l'arrière d'une construction dos à dos. Cet espace libre offre une place adéquate pour le retrait et l'installation d'unités. (Davantage de place peut être exigé pour certaines applications; consulter les normes d'installation locales et nationales en vigueur). Fournir au moins 13 mm (0,5 po) d'espace entre l'arrière du CCM, montage sur face avant du panneau, et le mur. Pour les emplacements sujets à l'humidité, fournir au moins 152 mm (6 po).

Lors de la sélection d'un emplacement pour l'installation d'un CCM, considérer soigneusement l'accessibilité, les dégagements en hauteur et les expansions futures. La prise en considération de ces facteurs éliminera de nombreuses difficultés durant cette installation et les installations futures de CCM.

REMARQUE : Les CCM modèle 6 avec l'option de protection contre les défauts d'arc possèdent des trappes de toit de décompression pour la

ventilation supérieure des gaz de défaut d'arc. Ces CCM nécessitent un dégagement minimum de 724 mm (28,5 po) de la plaque supérieure du CCM à l'obstruction la plus proche (hauteur de plafond minimale de 3 m (10 pi) comprenant le profilé de base). Voir la déclaration de risque spécial ci-après concernant le dégagement requis au-dessus de l'appareil.

⚠ DANGER

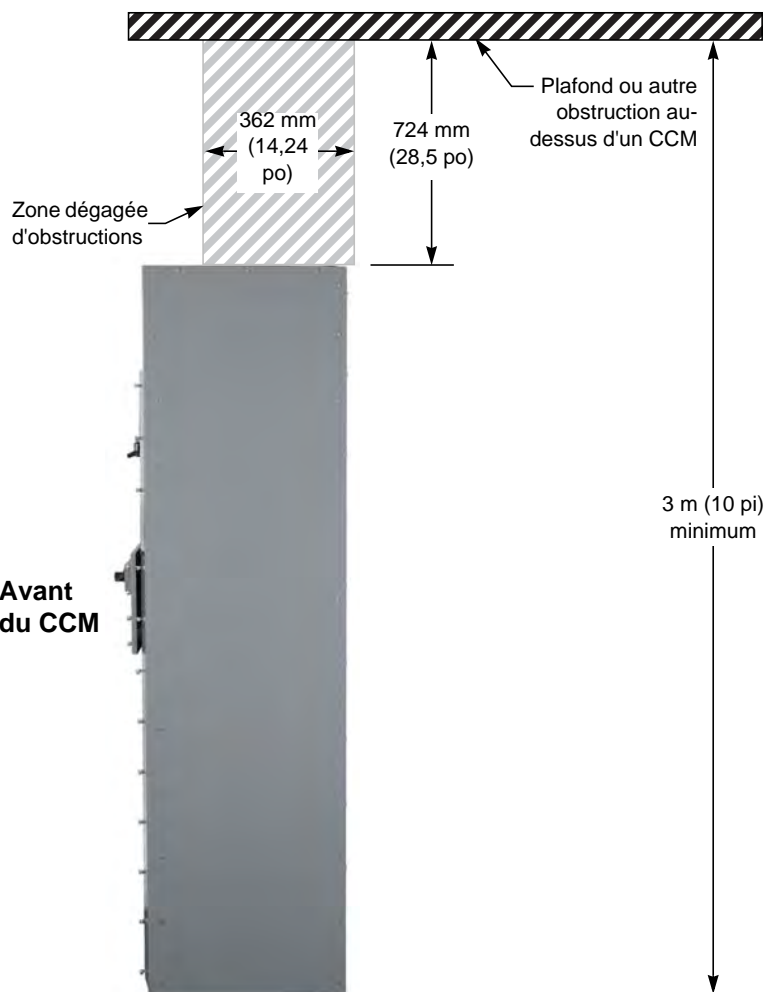
RISQUE DE BRÛLURE PROVENANT DE GAZ CHAUDS

- Portez un équipement de protection personnelle (ÉPP) approprié et observez les méthodes de travail électrique sécuritaire. Voir NFPA 70E ou CSA Z462.
- Maintenez la zone directement au-dessus de l'appareil dégagée et non obstruée sur une distance de 724 mm (28,5 po) du toit.

Si ces directives ne sont pas respectées, cela entraînera la mort ou des blessures graves.

Voir la figure 7 pour la zone requise au-dessus du CCM avec protection contre les défauts d'arc, qui doit rester dégagée de toutes obstructions.

Figure 7 – Zone requise dégagée d'obstructions



Alignement des CCM

Les CCM sont assemblés à l'usine sur une surface lisse, de niveau, afin d'assurer l'alignement correct de toutes les sections. Une surface similaire, lisse et de niveau, doit être procurée pour l'installation. Une fondation inégale peut entraîner un mauvais alignement des blocs de transport, unités et portes. La surface sous un CCM doit être en matériau non combustible, à moins d'avoir installé des plaques de fond sur chaque section verticale.

Jonction des armoires Type 1, Type 1 à joint d'étanchéité et Type 12

Avant de positionner les sections CCM (figure 8), s'assurer que les barres-bus et les isolateurs ne sont pas endommagés. Si des barres-bus sont pliées ou si des isolateurs sont cassés, ne pas installer le CCM. Signaler tout dommage au transporteur.

- REMARQUES :**
- Un kit de quincaillerie d'assemblage est contenu dans un sac et est attaché au profilé de l'angle avant droit de chaque section de transport. Des barres de raccordement imperdables sont pré-assemblées sur les barres-bus horizontales, sur le côté gauche de chaque section de transport.
 - Pour les directives d'installation des joints d'étanchéité, voir « Joints d'étanchéité de raccordement pour les armoires type 1 à joint d'étanchéité et type 12 » à la page 36 avant de joindre les sections entre elles.

Positionnement des CCM

Pour monter et raccorder une nouvelle section de CCM à une section existante de Modèle 6, ou pour joindre les unités de transport d'usine, procéder comme suit :

1. Couper toutes les alimentations à cet appareil avant d'y travailler et observer toutes les procédures d'interverrouillage et d'étiquetage. Toujours utiliser un dispositif de détection de tension ayant une valeur nominale appropriée pour vous assurer que l'alimentation est coupée.
2. Retirer les couvercles des goulottes guide-fils horizontales, supérieures et inférieures, de toutes les sections, donnant ainsi accès aux boulons de raccordement de la face avant de chaque section (figure 8b).

Figure 8 – Vues du centre de commande de moteurs



Figure 8A : Tous les couvercles en place



Figure 8B : Couvercles des goulottes guide-fils horizontales retirés



Figure 8C : Ecrans isolants en deux pièces des barres-bus retirés (connexions de raccordement effectuées)

3. Pour avoir accès aux dispositifs de raccordement des barres-bus de chaque section, faire glisser les panneaux des écrans isolants en deux pièces des barres-bus (voir la figure 8C) sur les sections adjacentes à une connexion de raccordement (les sections de gauche et de droite).
4. Prendre des dispositions pour attacher la ou les structures au sol et au mur. Voir les pages 29 à 34 pour les points d'attache.
5. Soutenant le CCM par les profilés de sa base ou les cornières de levage, le lever pour le mettre en place. Les bords avant des profilés de base doivent être alignés pour former une face avant continue, selon une ligne droite. Utiliser un trait tiré à la craie, un ficelle ou une autre méthode pour aligner les profilés de base avant de façon rectiligne.
6. En se servant des encoches des profilés de la base, déplacer soigneusement les sections alignées à l'aide d'un pied de biche (figure 9).

REMARQUE : Prendre des précautions lors du déplacement des sections du CCM, car celles-ci sont lourdes du haut. Voir « Manutention des CCM » à la page 20 avant de déplacer le CCM.

Figure 9 – Encoches des profilés de la base



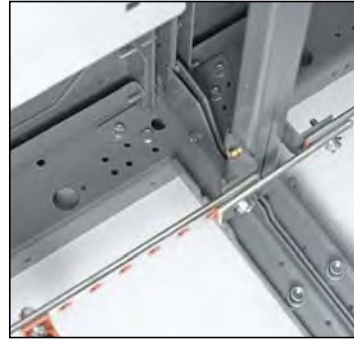
Assemblage des profilés d'angle

Figure 10 – Kit de quincaillerie



1. Couper toutes les alimentations à cet appareil avant d'y travailler et observer toutes les procédures d'interverrouillage et d'étiquetage. Toujours utiliser un dispositif de détection de tension ayant une valeur nominale appropriée pour vous assurer que l'alimentation est coupée.
 2. Un kit de quincaillerie d'assemblage (figure 10) est contenu dans un sac et est attaché au profilé de l'angle avant droit de chaque section de transport.
 3. Localiser les quatre encoches en demi-cercle sur la surface interne des profilés d'angle (figure 11A à la page 28).
 4. À l'aide de quatre des vis auto-taraudeuses à tête hexagonale de 3/4 po x 1/4-20 fournies dans le kit de quincaillerie, joindre les profilés d'angle verticaux **avant** en insérant les vis dans les trous de dégagement à l'intérieur des encoches en demi-cercle et dans le trou à tarauder correspondant. (figure 11B).
- REMARQUE :** Insérer les vis à partir de la gauche ou de la droite, selon la facilité d'accès aux trous en fonction de la configuration de l'appareil; l'un ou l'autre des côtés assurera un joint correct.
5. Serrer les vis (figure 11C).
 6. Répéter les points 3 et 5 pour raccorder les profilés d'angle **arrière**.

REMARQUE : Dans certains cas, les trous des profilés arrière ne seront accessibles que de l'arrière du CCM avec les plaques arrière du CCM retirées. Si l'arrière du CCM n'est pas accessible, installer autant de vis que possible par l'avant du CCM (typiquement par la goulotte guide-fils verticale).

Figure 11 – Boulonnage des sections ensemble**11D: Connexion du profilé latéral avant inférieur****11E: Connexion du profilé latéral arrière inférieur****11F: Connexion du profilé latéral avant****11G: Connexion du profilé latéral arrière supérieur (montrée avec les plaques arrière du CCM retirées)**

Jonction des profilés latéraux de la section

1. Localiser deux trous de dégagement pour la quincaillerie de 1/4-20 sur la surface intérieure des profilés latéraux inférieurs de la section (voir les figures 11D et 11E). Il est possible d'accéder à ces trous après le retrait du couvercle de goulotte guide-fils inférieure.
2. Utiliser deux des quatre vis auto-taraudeuses à tête hexagonale de 1-1/4 po x 1/4-20 fournies dans le kit de quincaillerie pour joindre les profilés latéraux inférieurs de la section. La vis installée à l'avant est installée à partir de la section de droite (voir la figure 11D).
3. La vis installée à l'arrière est installée à partir de la section de gauche (voir la figure 11E).
4. Localiser deux trous de dégagement pour la quincaillerie de 1/4-20 sur la surface intérieure des profilés latéraux supérieurs de la section. Le trou de dégagement avant se trouve dans la section de gauche et est accessible après le retrait du couvercle de goulotte guide-fils supérieure (voir la figure 11F à la page 22).
5. Le trou de dégagement arrière se trouve dans la section de droite. Dans la plupart des cas, il sera nécessaire de retirer la plaque arrière ou la plaque supérieure de la section pour accéder au trou de dégagement arrière et installer la vis (voir la figure 11G).

Fixation des structures au sol

(Applications non sismiques, pour les applications sismiques voir la page 32)

Attacher chaque section au sol (figure 12) à l'aide de boulons de 3/4 po ou 1/2 po de qualité 5 ou supérieure et de rondelles plates (fournis par le client). Des trous de montage de 22 mm (0,88 po) de diamètre dans les profilés de la base fournissent un dégagement pour des boulons d'ancrage à expansion de 1/2 po.

REMARQUE : Bien que les sections soient autonomes, l'attache au sol empêche le mouvement, évitant ainsi tout endommagement des raccordements de conduits.

Figure 12 – Montage avec des profilés de base standard

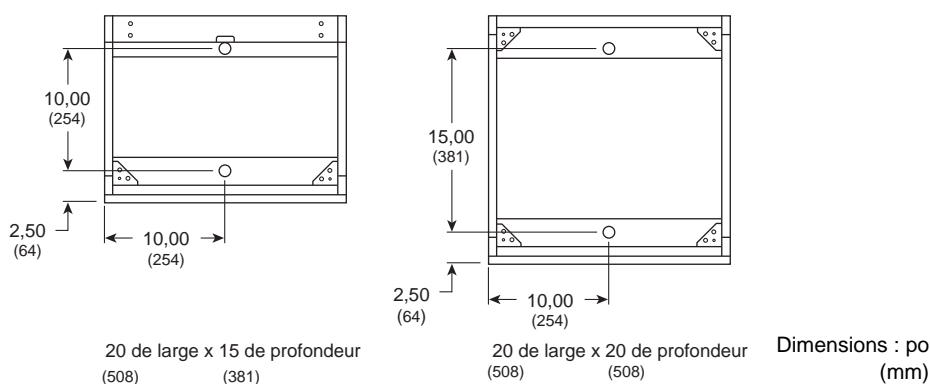
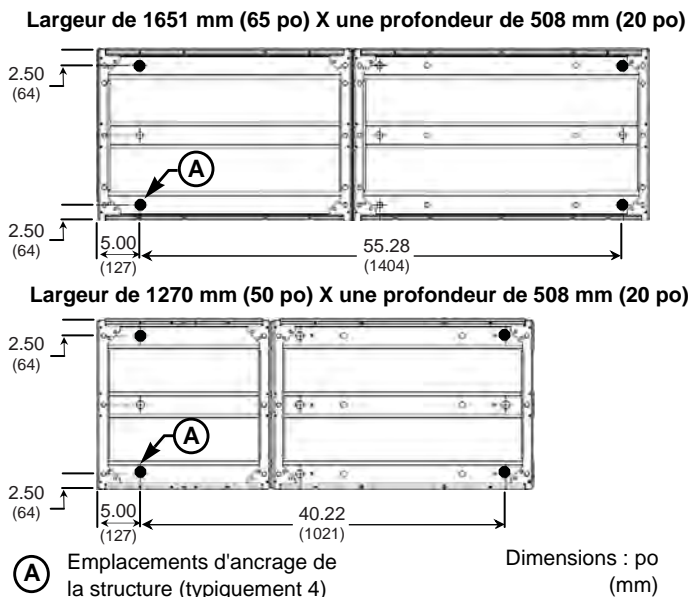


Figure 13 – Montage d'un profilé de base pour les sections de CCM avec variateur ca à 18 impulsions



Certification sismique des CCM Modèle 6

Les centres de commande de moteurs Modèle 6 certifiés comme étant capables de résister à des séismes ont reçu la qualification de conformité aux exigences sismiques spécifiques pour le site selon les codes ou normes des immeubles pour les modèles répertoriés. Des caractéristiques de construction optionnelles peuvent être exigées, en fonction de l'emplacement de l'installation ainsi que des codes ou des normes répondant à des demandes spécifiques. Des certificats de conformité et étiquettes de matériel sont fournis avec tous les centres de commande de moteurs (CCM) certifiés comme étant capables résister à des séismes. Pour maintenir la validité de cette certification, les directives d'installation fournies dans cette section doivent être suivies.

Responsabilité concernant la réduction des dommages sismiques

Pour les codes des immeubles modèles, les centres de commande de moteurs Modèle 6 sont considérés des composants non structuraux des bâtiments. La capacité du matériel a été déterminée à partir de résultats d'essais sur table de secousses sismiques à trois axes, comme définie, par l'International Code Council - Evaluation Service (ICC-ES) (Conseil international des codes [du bâtiment]), dans les critères d'acceptation des essais de qualification sismique des composants non structuraux (AC156).

Sauf indication contraire, un facteur d'importance du matériel de 1,5 ($I_p = 1,5$) a été utilisé, indiquant que le fonctionnement du matériel a été vérifié avant et après l'essai de simulation sismique avec la table de secousses. Ce facteur d'importance est une indication pour les aménagements cruciaux où la maximisation de la probabilité de fonctionnement après évènement est une priorité.

La norme AC156 est publiée par l'ICC-ES et a été reconnue par le Building Seismic Safety Council (BSSC) (Conseil de sécurité sismique des immeubles) en tant que méthodologie appropriée dans les commentaires sur le programme national 2003 de réduction des risques causés par les tremblements de terre (NEHRP « National

Earthquake Hazard Reduction Program »). Le National Institute of Building Sciences (Institut national des sciences de la construction) a établi le BSSC en 1979 afin de développer et promouvoir des dispositions réglementaires pour la réduction des dangers dus aux tremblements de terre au niveau national.

Les câbles et conduits d'arrivée et de sortie doivent être également considérés comme des systèmes connexes mais indépendants. Ils doivent être conçus et retenus de manière à résister aux forces générées par l'évènement sismique sans augmenter la charge transférée au matériel. Pour les applications où un risque sismique existe, une entrée ou sortie de câble ou conduit par la partie inférieure est préférable.

Si la valeur d'accélération spectrale (S_s telle que définie par l'International Building Code [Code de construction international ou NFPA 5000]) dépasse 2,67 g (comme pour la zone sismique de New Madrid), le matériel doit alors être aussi ancré à sa partie supérieure à l'aide d'un système d'entraves latérales. Un système d'entraves latérales est également requis dans les situations où un mouvement horizontal de la partie supérieure des CCM n'est pas désirable (telles que les applications dans lesquelles une entrée ou sortie de conduit par la partie supérieure est utilisée). Ce système doit être capable de transférer les charges créées à l'ossature du système structural de l'immeuble.

La qualification sismique des composants non structuraux fournis par Schneider Electric n'est qu'un maillon de la chaîne totale des responsabilités requises pour maximiser la probabilité qu'un matériel sera intact et en état de fonctionnement après un séisme. Pendant un évènement sismique, le matériel doit pouvoir transférer les charges qui sont créées, via son bloc de montage et son ancrage, à l'ossature du système structural de l'immeuble.

L'ingénieur civil de structure ou l'ingénieur de conception en charge du projet a la responsabilité de détailler le raccordement du matériel et les exigences d'ancrage (notamment le système d'entraves latérales si nécessaire) pour une installation donnée. L'installateur et les fabricants des systèmes d'ancrage et d'entraves latérales ont la responsabilité d'assurer que les exigences de montage soient respectées. Schneider Electric n'est pas responsable des caractéristiques et performances de ces systèmes.

Fixation des structures au sol—Emplacements à risque¹ sismique

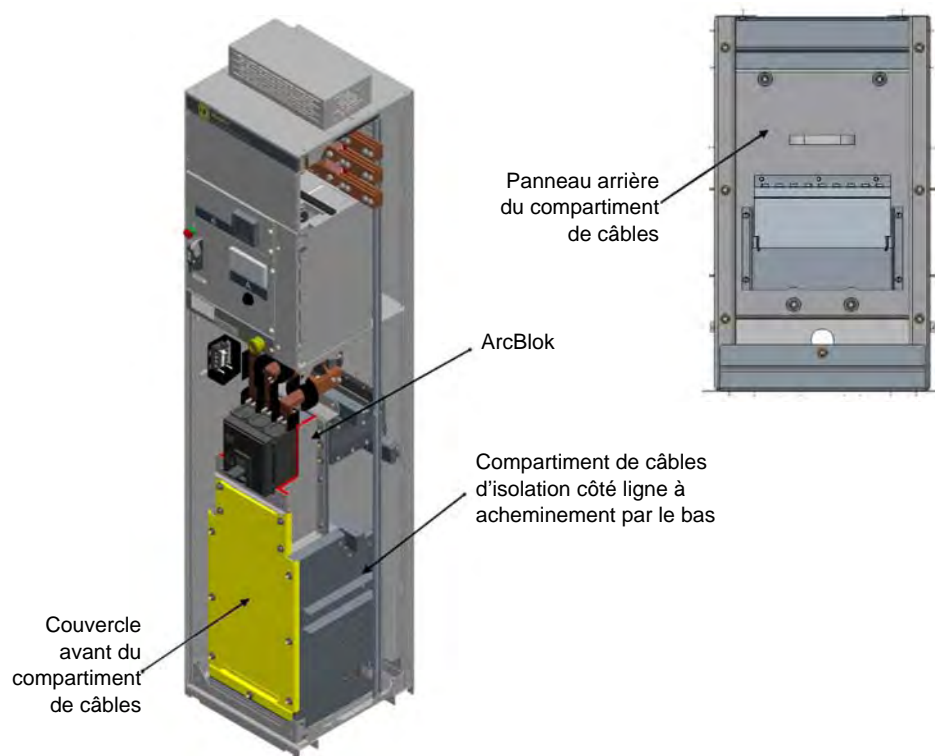
Chaque section doit être ancrée en suivant les détails fournis par l'ingénieur en charge du projet, à l'ossature du système structural de l'immeuble. Pour les emplacements de fixation au sol, voir la figure 15 à la page 33 (armoires type 1, type 1 à joint d'étanchéité et type 12) ou la figure 17 à la page 34 (armoires type 3R). Utiliser des boulons de 13 mm (0,50 po) ou 19 mm (0,75 po) de qualité 5 ou supérieure et des rondelles Belleville. Serrer les boulons à la valeur de couple de serrage spécifiée par le fabricant du système d'ancrage.

Accès aux points d'ancrage sismique pour ArcBlok avec compartiment de câbles d'isolation côté ligne à acheminement par le bas

Le couvercle avant et l'assemblage de panneau arrière de chaque compartiment de câbles d'isolation à acheminement par le bas ArcBlok peuvent être retirés pour permettre l'accès aux points d'ancrage sismique. Voir Figure 14 et Figure 15 à la page 33.

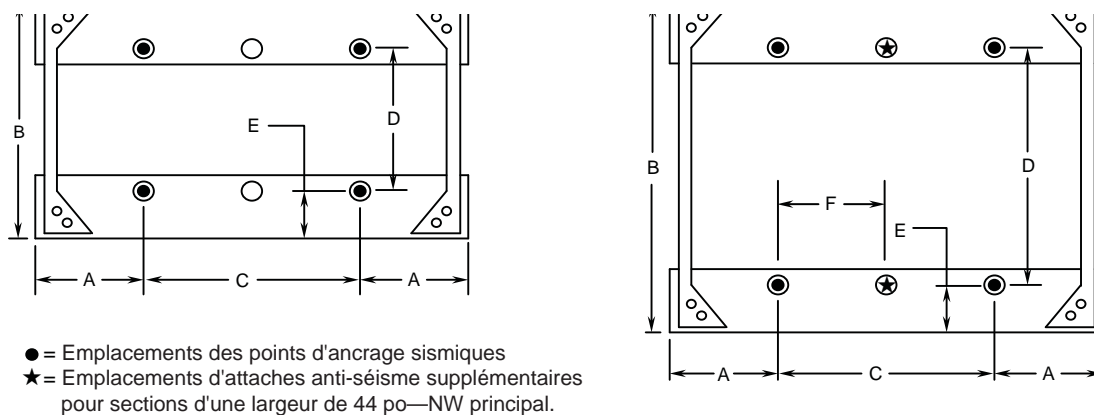
1. Retirer et conserver les écrous Keps 3/8-16 de fixation du couvercle avant du compartiment de câbles.
2. Retirer le couvercle avant du compartiment de câbles.
3. Retirer et conserver les écrous Keps 3/8-16 de fixation du panneau arrière du compartiment de câbles.
4. Retirez le panneau arrière de l'intérieur du compartiment de câbles.
5. Installer la quincaillerie sismique.
6. Réinstaller le panneau arrière et le couvercle avant à l'aide des écrous Keps 3/8-16 conservés aux étapes 1 et 3.

Figure 14 – Couvercle avant et panneau arrière du compartiment de câbles



¹ Risque sismique pour des emplacements de sites spécifiques selon la définition de l'édition en vigueur du code de construction international ou NFPA 5000, ou de tout code de construction local approprié ou de l'ingénieur consultant en charge du projet.

Figure 15 – Emplacements des points d'ancrage sismiques pour type 1, type 1 à joint d'étanchéité et type 12



Dimensions de section de 381 mm (15 po)

Lettre	Largeur de la section	Dimension
A	N/A	127 mm (5,00 po)
B	N/A	381 mm (15,00 po)
C	508 mm (20,00 po)	254 mm (10,00 po)
	635 mm (25,00 po)	381 mm (15,00 po)
	762 mm (30,00 po)	508 mm (20,00 po)
	889 mm (35,00 po)	635 mm (25,00 po)
D	N/A	253 mm (9,98 po)
E	N/A	64 mm (2,50 po)

N/A = Non applicable

Dimensions de section de 508 mm (20 po)

Lettre	Largeur de la section	Dimension
A	N/A	127 mm (5,00 po)
B	N/A	508 mm (20 po)
C	508 mm (20,00 po)	254 mm (10,00 po)
	635 mm (25,00 po)	381 mm (15,00 po)
	762 mm (30,00 po)	508 mm (20,00 po)
	889 mm (35,00 po)	635 mm (25,00 po)
	1118 mm (44,00 po)	864 mm (34,00 po)
D	N/A	380 mm (14,98 po)
E	N/A	64 mm (2,50 po)
	1118 mm (44,00 po)	432 mm (17,00 po)

N/A = Non applicable

REMARQUE : Les dimensions indiquées concernent les emplacements des points d'ancrage de sections CCM individuelles. Consulter les plans fournis par l'usine pour déterminer des points d'ancrage adéquats du bloc de montage du matériel.

Figure 16 – Emplacements des points d'ancrage sismiques pour les sections CMM avec variateur ca à 18 impulsions

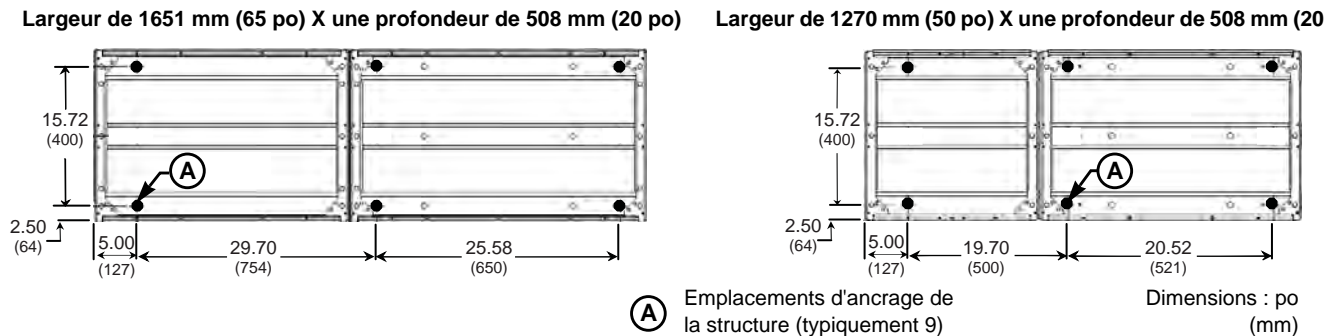
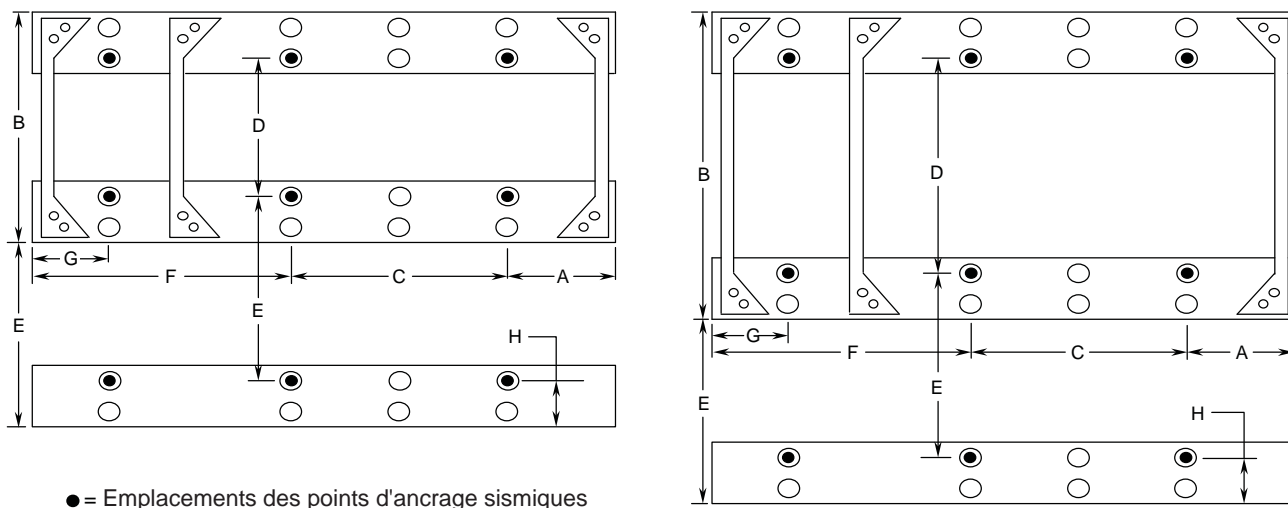


Figure 17 – Emplacements des points d'ancrage sismiques type 3R



Dimensions de section de 381 mm (15 po)

Lettre	Largeur de la section	Dimension
A	N/A	127 mm (5,00 po)
B	N/A	381 mm (15,00 po)
C	508 mm (20,00 po)	254 mm (10,00 po)
	635 mm (25,00 po)	381 mm (15,00 po)
	762 mm (30,00 po)	508 mm (20,00 po)
	889 mm (35,00 po)	635 mm (25,00 po)
D	N/A	253 mm (9,98 po)
E	N/A	295 mm (11,60 po)
F	N/A	318 mm (12,50 po)
G	N/A	127 mm (5,00 po)
H	N/A	91 mm (3,60 po)

N/A = Non applicable

Dimensions de section de 508 mm (20 po)

Lettre	Largeur de la section	Dimension
A	N/A	127 mm (5,00 po)
B	N/A	508 mm (20 po)
C	508 mm (20,00 po)	254 mm (10,00 po)
	635 mm (25,00 po)	381 mm (15,00 po)
	762 mm (30,00 po)	508 mm (20,00 po)
	889 mm (35,00 po)	635 mm (25,00 po)
D	N/A	380 mm (14,98 po)
E	N/A	295 mm (11,60 po)
F	N/A	318 mm (12,50 po)
G	N/A	127 mm (5,00 po)
H	N/A	91 mm (3,60 po)

N/A = Non applicable

REMARQUE : Les dimensions indiquées concernent les emplacements des points d'ancrage de sections CCM individuelles. Consulter les plans fournis par l'usine pour déterminer des points d'ancrage adéquats du bloc de montage du matériel.

Fixation des structures au mur—Emplacements à risque¹ sismique

Lorsque cela est spécifié ou requis pour l'application (toutes zones à risque sismique avec S_s dépassant 2,67 g), chaque section doit être fixée latéralement à sa partie supérieure (fixations non fournies) et raccordée à l'ossature du système de l'immeuble selon le détail fourni par l'ingénieur en charge du projet. Se reporter au code de construction international (International Building Code) en vigueur ou à NFPA 5000 pour les valeurs spécifiques aux emplacements de S_s applicable à votre location.

¹ Risque sismique pour des emplacements de sites spécifiques selon la définition de l'édition en vigueur du code de construction international ou NFPA 5000, ou de tout code de construction local approprié ou de l'ingénieur consultant en charge du projet.

⚠ DANGER

RISQUE D'ÉLECTROCUTION, D'EXPLOSION OU D'ÉCLAIR D'ARC

- Coupez toute alimentation de cet appareil avant d'installer une fixation latérale.
- Les boulons ne doivent pas dépasser le dessous de la plaque supérieure de plus de 13 mm (0,50 po).

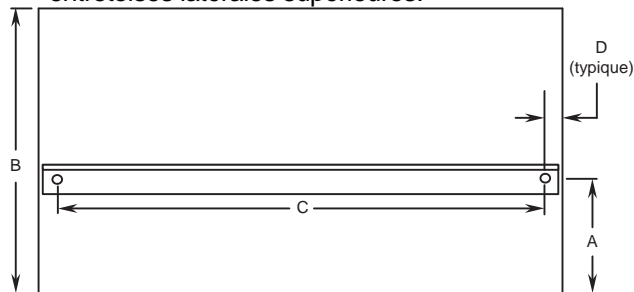
Si ces directives ne sont pas respectées, cela entraînera la mort ou des blessures graves.

Retirer la cornière de levage et attacher chaque section au système d'entraves latérales en se servant des mêmes points d'attache utilisés pour fixer la cornière de levage. Réutiliser les boulons [3/8 (9,5 mm) par 7/8 (22,22 mm) de long, 16 filets par po] et rondelles de sûreté (2,4 mm d'épaisseur) fournis avec la cornière de levage ou la quincaillerie fournie par d'autres fournisseurs selon ce qui convient. Apporter une attention particulière à la limitation de la profondeur à laquelle le boulon peut dépasser sous la surface de la plaque supérieure. Les boulons ne doivent pas dépasser la plaque supérieure de l'armoire de plus de 13 mm (0,50 po).

REMARQUE : Sur les CCM avec protection contre les défauts d'arc, ne pas obstruer les trappes de toit avec des composants d'entrave latéraux.

Figure 18 – Emplacements des points d'attache de la fixation latérale supérieure

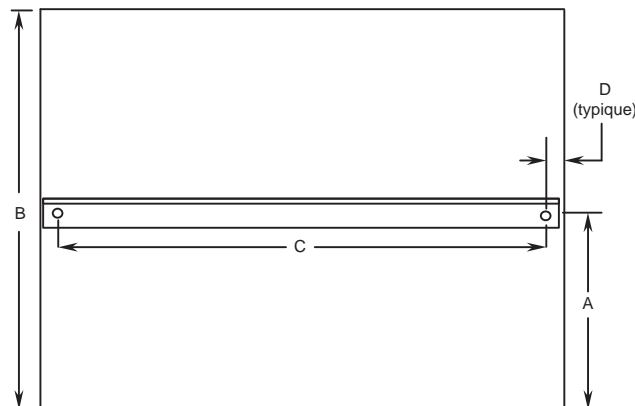
REMARQUE : Les dimensions indiquées sont destinées à situer les emplacements des entretoises latérales supérieures des sections CCM individuelles. Consulter les plans fournis par l'usine pour déterminer les emplacements d'ancrage adéquats du système de support des entretoises latérales supérieures.



Dimensions de section de 381 mm (15 po)

Lettre	Largeur de la section	Dimension
A	N/A	133 mm (5,25 po)
B	N/A	381 mm (15,00 po)
C	508 mm (20,00 po)	467 mm (18,40 po)
	635 mm (25,00 po)	594 mm (23,40 po)
	762 mm (30,00 po)	721 mm (28,40 po)
	889 mm (35,00 po)	848 mm (33,40 po)
D	N/A	20 mm (0.80 po)

N/A = Non applicable



Dimensions de section de 508 mm (20 po)

Lettre	Largeur de la section	Dimension
A (cornière de levage simple)	N/A	260 mm (10,25 po)
A (deux cornières de levage)	N/A	48 mm (1,91 po)
B	N/A	508 mm (20 po)
C	508 mm (20,00 po)	467 mm (18,40 po)
	635 mm (25,00 po)	594 mm (23,40 po)
	762 mm (30,00 po)	721 mm (28,40 po)
	889 mm (35,00 po)	848 mm (33,40 po)
D	N/A	20 mm (0.80 po)

N/A = Non applicable

Joint d'étanchéité de raccordement pour les armoires type 1 à joint d'étanchéité et type 12

⚠ DANGER

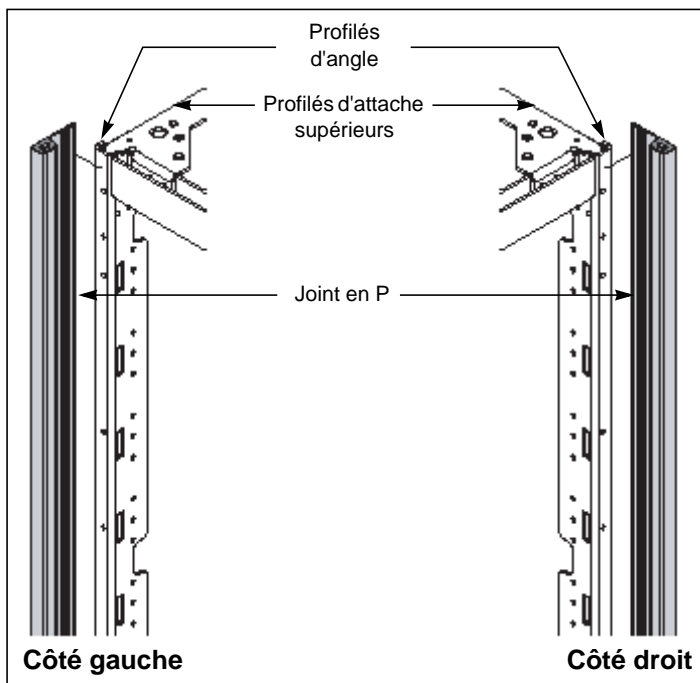
RISQUE D'ÉLECTROCUTION, D'EXPLOSION OU D'ÉCLAIR D'ARC

- Portez un équipement de protection personnelle (ÉPP) approprié et observez les méthodes de travail électrique sécuritaire. Voir NFPA 70E ou CSA Z462.
- Seul un personnel qualifié doit effectuer l'installation et l'entretien de cet appareil.
- Coupez l'alimentation de l'appareil avant d'y travailler.
- Utilisez toujours un dispositif de détection de tension ayant une valeur nominale appropriée pour vous assurer que l'alimentation est coupée.
- Remplacez tous les dispositifs, les portes et les couvercles avant de mettre l'appareil sous tension.
- Lors du déplacement des sections du CCM, observez les directives de « Manutention des CCM » à la page 20. Les CCM ont un centre de gravité haut placé, qui peut les faire basculer.

Si ces directives ne sont pas respectées, cela entraînera la mort ou des blessures graves.

En cas de raccordement à un CCM existant, se reporter à la figure 19. Si un joint en forme de P n'est pas installé, suivre les instructions dans « Raccordement sans joint d'étanchéité (en forme de « P ») » à la page 37. Si un joint en forme de P est installé, suivre les directives dans « Raccordement avec joint d'étanchéité (en forme de « P ») » à la page 37.

Figure 19 – Joint d'étanchéité (en forme de « P »)



Raccordement sans joint d'étanchéité (en forme de « P »)

1. Couper toutes les alimentations à cet appareil avant d'y travailler et observer toutes les procédures d'interverrouillage et d'étiquetage. Toujours utiliser un dispositif de détection de tension ayant une valeur nominale appropriée pour vous assurer que l'alimentation est coupée.
2. En cas de raccordement à un CCM existant, retirer la plaque d'extrémité et tous les joints du CCM existant.
3. Retirer le papier de protection blanc des nouveaux joints (fournis par Schneider Electric) afin d'exposer l'adhésif. Cet adhésif maintient temporairement les joints en place pendant la mise en place des sections.
4. Poser des joints en forme de P sur l'extérieur des profilés d'angle verticaux avant et arrière (voir la figure 19 à la page 36). Les joints ne doivent pas dépasser le haut des profilés d'angle.
5. Poser des joints plats sur l'extérieur des entretoises d'attache du haut et du bas. Les joints ne doivent pas dépasser le haut des entretoises d'attache.
6. Exerçant une pression avec le pouce, appuyer fermement sur les joints, pour les mettre en place, de haut en bas. S'assurer que les joints sont bien à plat sur toute la longueur.
7. Joindre les sections ensemble en suivant les points appropriés de « Jonction des armoires Type 1, Type 1 à joint d'étanchéité et Type 12 » à la page 26.

REMARQUE : Lorsque de nouvelles sections seront ajoutées au côté gauche de l'alignement existant, suivre les points 1, 2 et 7 seulement.

Raccordement avec joint d'étanchéité (en forme de « P »)

Déterminer l'emplacement du joint en forme de P existant avant de raccorder. Si le joint en forme de P est sur le côté gauche (voir la figure 19 à la page 36), suivre les directives "Raccordement au côté gauche du joint existant". Si le joint en forme de P est sur le côté droit (voir la figure 19 à la page 36), suivre les directives "Raccordement au côté droit du joint existant".

Raccordement au côté gauche du joint existant

1. Couper toutes les alimentations à cet appareil avant d'y travailler et observer toutes les procédures d'interverrouillage et d'étiquetage. Toujours utiliser un dispositif de détection de tension ayant une valeur nominale appropriée pour vous assurer que l'alimentation est coupée.
2. Retirer la plaque d'extrémité et tous les joints plats du CCM existant. Laisser en place le joint en forme de P existant sur le profilé d'angle avant.
3. Retirer le joint plat installé à l'usine du profilé d'angle avant de la nouvelle section verticale.
4. Joindre les sections ensemble en suivant les points appropriés de « Jonction des armoires Type 1, Type 1 à joint d'étanchéité et Type 12 » à la page 26.

Raccordement au côté droit du joint existant

1. Couper toutes les alimentations à cet appareil avant d'y travailler et observer toutes les procédures d'interverrouillage et d'étiquetage. Toujours utiliser un dispositif de détection de tension ayant une valeur nominale appropriée pour vous assurer que l'alimentation est coupée.
2. Retirer la plaque d'extrémité et tous les joints plats du CCM existant. Laisser en place le joint en forme de P existant sur le profilé d'angle avant.

3. Retirer le papier de protection blanc des nouveaux joints (fournis par Schneider Electric) afin d'exposer l'adhésif. Cet adhésif maintient temporairement le joint en place pendant la mise en place des sections.
4. Poser un joint en forme de P sur l'extérieur du profilé d'angle vertical arrière (voir la figure 19 à la page 36). Le joint ne doit pas dépasser le haut du profilé d'angle. Mettre le joint en forme de P supplémentaire de côté pour un usage ultérieur.
5. Poser des joints plats sur l'extérieur des entretoises d'attache du haut et du bas. Les joints ne doivent pas dépasser le haut des entretoises d'attache.
6. Exerçant une pression avec le pouce, appuyer fermement sur le joint, pour le mettre en place, de haut en bas. S'assurer que le joint est bien à plat sur toute la longueur.
7. Joindre les sections ensemble en suivant les points appropriés de « Jonction des armoires Type 1, Type 1 à joint d'étanchéité et Type 12 » à la page 26.

Jonction des armoires type 3R nouveau style et armoires type 3R ancien style

⚠ DANGER

RISQUE D'ÉLECTROCUTION, D'EXPLOSION OU D'ÉCLAIR D'ARC

- Portez un équipement de protection personnelle (ÉPP) approprié et observez les méthodes de travail électrique sécuritaire. Voir NFPA 70E ou CSA Z462.
- Seul un personnel qualifié doit effectuer l'installation et l'entretien de cet appareil.
- Coupez l'alimentation de l'appareil avant d'y travailler.
- Utilisez toujours un dispositif de détection de tension ayant une valeur nominale appropriée pour vous assurer que l'alimentation est coupée.
- Remplacez tous les dispositifs, les portes et les couvercles avant de mettre l'appareil sous tension.

Si ces directives ne sont pas respectées, cela entraînera la mort ou des blessures graves.

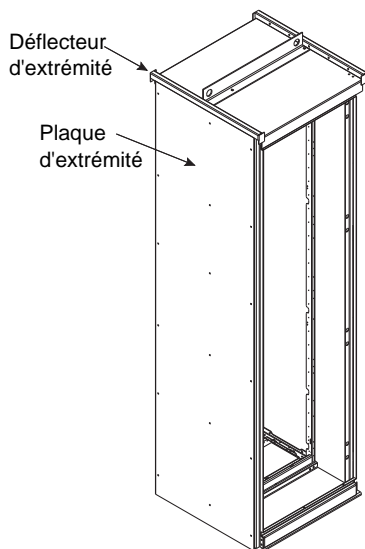
Cette section fournit les directives pour joindre des armoires type 3R nouveau style fabriquées après février 1998 et armoires type 3R ancien style fabriquées avant février 1998 (la nouvelle armoire de CCM est 76 mm (3 po) plus petite que le celle du CCM existant). Les directives pour joindre à gauche ou à droite d'une armoire CCM existante (vue de l'avant) sont fournies dans ces directives.

Pour tous les CCM en armoires type 3R, les pièces nécessaires pour joindre les armoires sont comprises dans un kit. Ce kit est expédié avec la commande de CCM et contient toutes les pièces nécessaires pour joindre les armoires entre elles.

REMARQUE : Toutes les armoires type 3R fabriquées après février 1998 mesurent environ 2361 mm (93 po) du bas de la section au haut du déflecteur.

Joindre sur le côté gauche d'une armoire type 3R de CCM existant

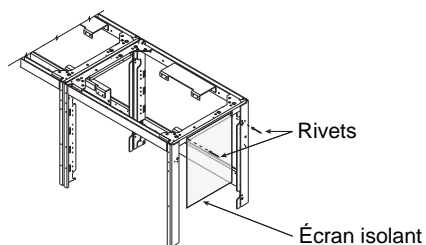
Figure 20 – Retrait du déflecteur d'extrémité



1. Couper toutes les alimentations à cet appareil avant d'y travailler et observer toutes les procédures d'interverrouillage et d'étiquetage. Toujours utiliser un dispositif de détection de tension ayant une valeur nominale appropriée pour vous assurer que l'alimentation est coupée.
2. Retirer le déflecteur d'extrémité (figure 20) de la section la plus à gauche du CCM existant et le déflecteur d'extrémité, si fourni, de la section la plus à droite du CCM à installer. Jeter les deux déflecteurs d'extrémité. Mettre la quincaillerie de côté pour l'installation des nouvelles pièces.
3. Retirer la plaque arrière de la section la plus à gauche du CCM existant ainsi que celle de la section la plus à droite du CCM à installer. Mettre de côté les plaques arrière et la quincaillerie de montage pour leur réinstallation.
4. Retirer la plaque d'extrémité (figure 20) de la section la plus à gauche du CCM existant et la plaque d'extrémité, si fournie, de la section la plus à droite du CCM à installer. Jeter les deux plaques d'extrémité. Mettre de côté la quincaillerie pour l'installation des nouvelles pièces.
5. Retirer l'écran isolant (figure 21) de la section la plus à gauche du CCM existant en chassant les rivets qui la maintiennent en place. Répéter cette procédure pour l'écran isolant, si fourni, de la section la plus à droite du CCM à installer. Jeter les deux écrans isolants.

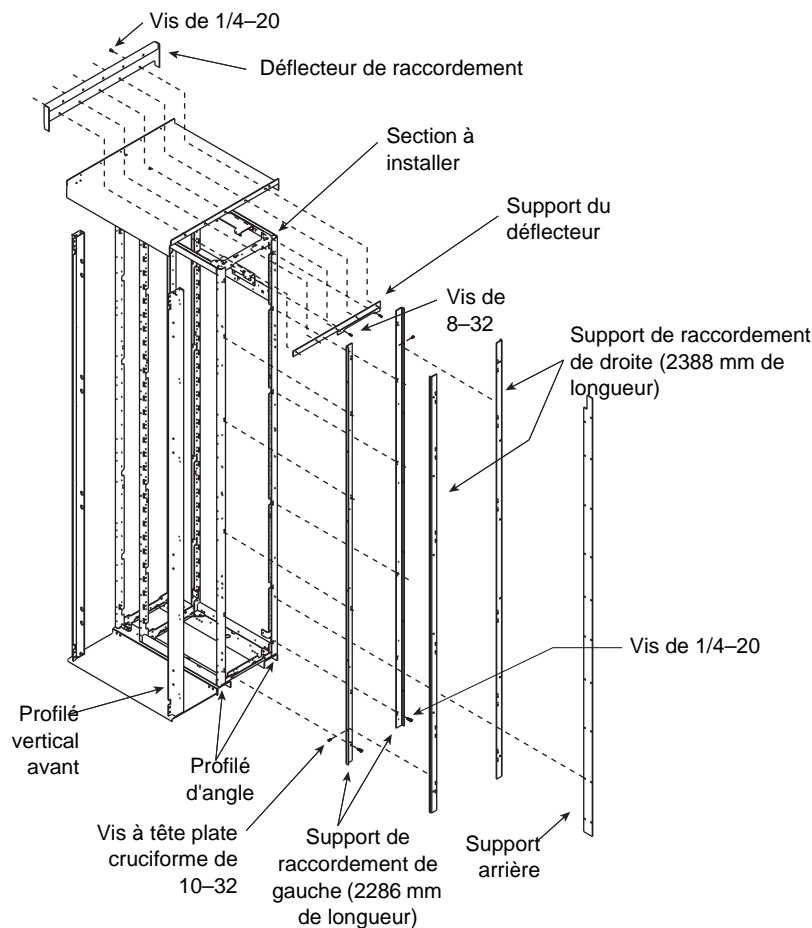
REMARQUE : S'assurer que des morceaux de rivets ne tombent pas dans le CCM.

Figure 21 – Retrait de l'écran isolant



6. Installer le support du déflecteur (figure 22 à la page 40) sur la section la plus à droite du CCM à installer à l'aide de deux vis à tête cruciforme de 8-32 comprises dans le kit. Les mêmes trous d'où les rivets ont été chassés seront utilisés pour monter le support du déflecteur. S'assurer que les trous supérieurs du support s'alignent avec les trous de la plaque supérieure de l'armoire.

Figure 22 – Installation du support du déflecteur

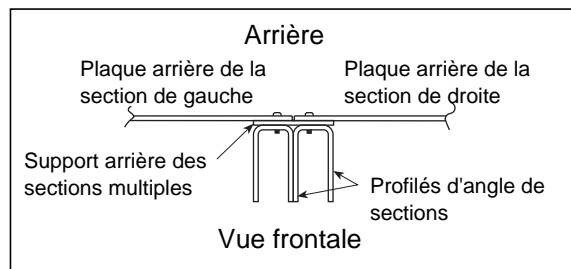


7. Attacher un support de raccordement de gauche (figure 22) de 2286 mm (90 po) de longueur au profilé d'angle avant de la section la plus à droite du CCM à l'aide de six vis de 1/4-20 fournies dans le kit. S'assurer que la petite aile du support est alignée avec l'avant du profilé d'angle et que les trous du support s'alignent avec les trous du profilé d'angle.
8. Installer un support de raccordement de gauche (figure 22) de 2286 mm (90 po) de longueur sur le profilé d'angle arrière de la section la plus à droite du CCM à installer à l'aide de six vis de 1/4-20 fournies dans le kit. S'assurer que la petite aile est alignée avec l'arrière du profilé d'angle et que les trous du support s'alignent avec les trous du profilé d'angle.
9. Attacher un support de raccordement de droite (figure 22) de 2388 mm (94 po) de longueur au support de raccordement de gauche installé au point 7 à l'aide de six vis à tête plate cruciforme de 10-32 fournies dans le kit. S'assurer que la petite aile se trouve derrière l'aile du support de raccordement de gauche. Le support de raccordement de droite dépassera en dessous du support de raccordement de gauche d'environ 25 mm (1 po) lorsqu'il est correctement installé.
10. Installer un support de raccordement de droite (figure 22) de 2388 mm (94 po) de longueur sur le support de raccordement de gauche installé au point 8 à l'aide de six vis à tête plate cruciforme de 10-32 fournies dans le kit. S'assurer que la petite aile se trouve devant l'aile du support de raccordement de gauche. Le support de raccordement de droite dépassera en dessous du support de raccordement de gauche d'environ 25 mm (1 po) lorsqu'il est correctement installé.

11. Positionner les structures qui doivent être raccordées. S'assurer que les faces avant sont alignées afin de garantir un alignement correct de tous les composants.
12. Raccorder les sections en suivant les instructions contenues dans les directives d'utilisation du Modèle 5 (8998IM9101R5/92) en cas d'assemblage à un CCM Modèle 5, ou les instructions contenues à la page 36 de ces directives d'utilisation en cas d'assemblage à un CCM Modèle 6.

REMARQUE : Lors du raccordement des barres-bus horizontales entre les sections CCM (neuves et existantes), retirer les barres de raccordement contenues dans la section la plus à gauche du CCM existant. Jeter les barres de raccordement. Installer les pièces de raccordement des barres-bus horizontales fournies dans ce kit en suivant les instructions commençant à la page 46. Utiliser les six vis à tête hexagonale de 1/4–20 restantes fournies dans le kit pour raccorder les profilés d'angle du CCM existant aux supports de raccordement de droite installés aux points 9 et 10.

Figure 23 – Remise en place des plaques arrière



13. À l'aide des vis à tête hexagonale de 10–32 retirées au point 3, remettre en place la plaque arrière (figure 23) sur la section la plus à droite du nouveau CCM. Installer le support arrière (figure 22 à la page 40) sous la plaque arrière en se servant des trous du côté gauche du support arrière. S'assurer que l'encoche au haut du support arrière est installée en direction de la nouvelle section CCM.
14. À l'aide des vis de 10–32 retirées au point 3, remettre en place la plaque arrière (figure 23) sur la section de droite.
15. Installer le déflecteur de raccordement (figure 22 à la page 40) sur la section la plus à droite du CCM à installer. Utiliser les cinq vis de 1/4–20 fournies dans le kit. S'assurer que les ailes des deux plaques supérieures sont recouvertes.
16. Installer cinq des vis de 1/4–20 retirées au point 2 à travers le déflecteur de raccordement et dans la plaque supérieure de la section la plus à gauche du CCM existant.
17. À l'aide des six vis de 10–32 fournies dans le kit, attacher le profilé vertical avant droit de la nouvelle armoire type 3R au profilé vertical avant gauche de l'armoire type 3R existante.

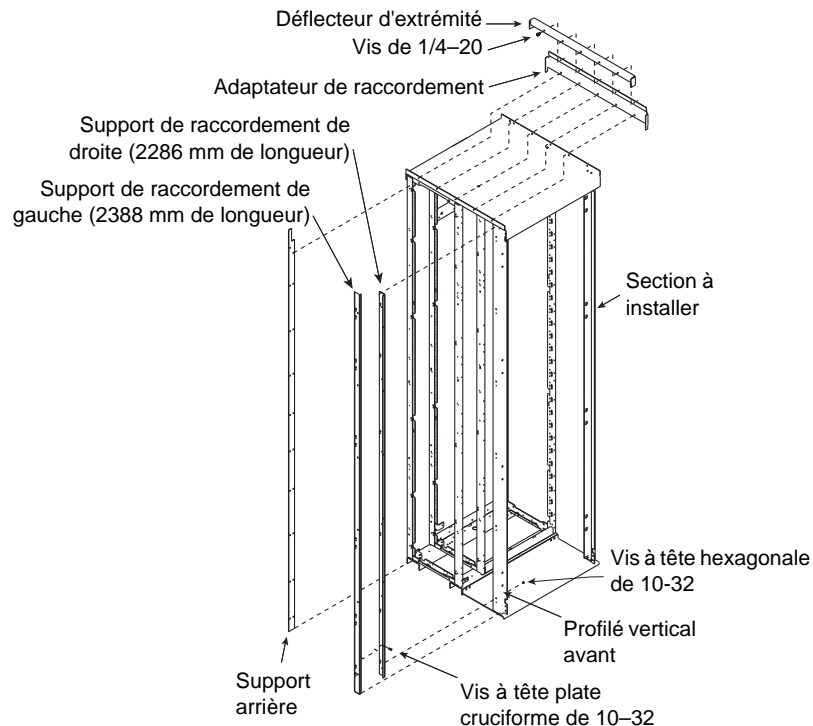
REMARQUE : Installer les vis, par les trous de dégagement du profilé vertical avant gauche du CMM existant, dans le profilé vertical avant droit du nouveau CCM.

18. Avant de mettre l'appareil sous tension, replacer tous les couvercles et écrans isolants.

Joindre sur le côté droit d'une armoire type 3R de CCM existant

1. Couper toutes les alimentations à cet appareil avant d'y travailler et observer toutes les procédures d'interverrouillage et d'étiquetage. Toujours utiliser un dispositif de détection de tension ayant une valeur nominale appropriée pour vous assurer que l'alimentation est coupée.
2. Retirer le déflecteur d'extrémité (figure 20 à la page 39) de la section la plus à droite du CCM existant et le déflecteur d'extrémité, si fourni, de la section la plus à gauche du CCM à installer. Mettre la quincaillerie de côté pour l'utiliser dans le point 12. Jeter les deux déflecteurs d'extrémité.

Figure 24 – Installation du déflecteur de raccordement



3. Retirer la plaque arrière de la section la plus à droite du CCM existant ainsi que celle de la section la plus à gauche du CCM à installer. Mettre de côté les plaques arrière et la quincaillerie de montage pour la réinstallation.
4. Retirer la plaque d'extrémité (figure 20 à la page 39) de la section la plus à droite du CCM existant et la plaque d'extrémité, si fournie, de la section la plus à gauche du CCM à installer. Jeter les deux plaques d'extrémité.
5. Retirer l'écran isolant (figure 21 à la page 39) de la section la plus à droite du CCM existant en chassant les rivets qui la maintiennent en place. Répéter cette procédure pour l'écran isolant, si fourni, de la section la plus à gauche du CCM à installer. Jeter les deux écrans isolants.

REMARQUE : S'assurer que des morceaux de rivets ne tombent pas dans le CCM.

6. Installer le support de raccordement de gauche (figure 24) de 2388 mm (94 po) de longueur sur le profilé vertical avant droit du CCM existant. Utiliser les six vis à tête hexagonale de 10-32 fournies dans le kit. L'aile longue du profilé de raccordement se montera sur le côté du profilé vertical avec l'aile courte près de la face avant du profilé vertical. Lorsque l'installation est correcte, le bas du

- support de raccordement de gauche sera au même niveau que le bas du profilé vertical.
7. Installer le support de raccordement de droite (figure 24 à la page 42) de 2286 mm (90 po) de longueur sur le support de raccordement de gauche installé au point 6 à l'aide de six vis à tête plate cruciforme de 10–32 fournies dans le kit. S'assurer que l'aile courte du support de raccordement de droite est devant l'aile du support de raccordement de gauche. Lorsque l'installation est correcte, le support de raccordement de gauche dépassera d'environ 25 mm (1 po) le support de raccordement de droite.
 8. Positionner les structures qui doivent être raccordées ensemble. S'assurer que les faces avant sont alignées. Cela garantit l'alignement correct de tous les composants.
 9. Raccorder les sections en suivant les instructions contenues dans les directives d'utilisation du Modèle 5 (8998IM9101) en cas d'assemblage à un CCM Modèle 5, ou les directives contenues à la page 36 de ces directives d'utilisation en cas d'assemblage à un Modèle 6 MCC. Utiliser les 12 vis à tête hexagonale de 1/4–20 fournies dans le kit pour raccorder les profilés d'angle du CCM existant aux profilés d'angle du nouveau CCM.
 10. Remettre en place la plaque arrière (figure 23 à la page 41) de la section la plus à gauche du CCM à installer à l'aide des vis à tête hexagonale de 10–32 retirées au point 4. Installer le support arrière (figure 24 à la page 42) sous la plaque arrière en se servant des trous du côté droit du support arrière. S'assurer que l'encoche au haut du support arrière est installée en direction de la nouvelle section CCM.
 11. En se servant de la quincaillerie retirée au point 3, remettre en place la plaque arrière (figure 23 à la page 41) de la section la plus à droite du CCM existant.
 12. Installer l'adaptateur de raccordement (figure 24 à la page 42) de la section la plus à gauche du CCM à installer à l'aide de cinq vis de 1/4–20 fournies dans le kit.
 13. Ensuite, positionner le déflecteur d'extrémité, fourni dans le kit, sur l'aile de la plaque supérieure des deux sections (figure 24 à la page 42) et installer à l'aide des cinq vis de 1/4–20 retirées au point 2.
 14. À l'aide de six vis à tête hexagonale de 10–32, fournies dans le kit, attacher le profilé vertical avant droit du CCM à installer au support de raccordement de droite installé au point 7 (figure 24 à la page 42).
 15. Avant de mettre l'appareil sous tension, replacer tous les couvercles et écrans isolants.

Joindre des armoires type 3R

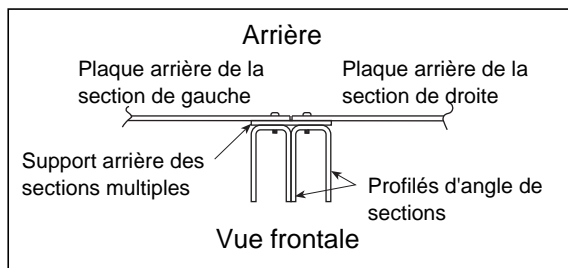
Cette section fournit les directives pour joindre des armoires type 3R (fabriquées après février 1998) du CCM.

REMARQUE : Toutes les armoires type 3R fabriquées après février 1998 mesurent environ 2362 mm (93 po) du bas de la section au haut du déflecteur.

1. Couper toutes les alimentations à cet appareil avant d'y travailler et observer toutes les procédures d'interverrouillage et d'étiquetage. Toujours utiliser un dispositif de détection de tension ayant une valeur nominale appropriée pour vous assurer que l'alimentation est coupée.
2. Retirer la plaque arrière de la section de droite (figure 25).

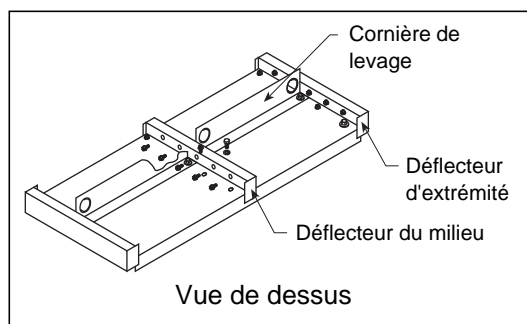
REMARQUE : Les points 3 et 4 ne s'appliquent que si une nouvelle section est installée à un alignement de CCM existant. En cas d'installation d'un nouvel alignement, passer au point 5.

Figure 25 – Installation du support de sections multiples



3. Retirer le capuchon du déflecteur d'extrémité du côté droit de l'armoire NEMA type 3R existante (figure 26). Retirer également le capuchon du déflecteur du milieu de la section à installer à droite.

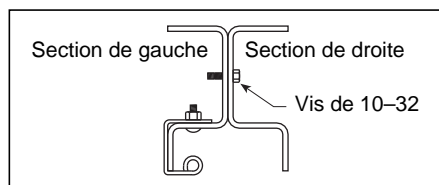
Figure 26 – Retrait des capuchons des déflecteurs du milieu et d'extrémité du dessus du CCM



4. Retirer la plaque de fermeture d'extrémité du côté droit de la section existante.
5. Après avoir placé les structures côte à côte, les joindre comme décrit dans « Jonction des armoires Type 1, Type 1 à joint d'étanchéité et Type 12 » à la page 26.
6. Remettre en place la plaque arrière (retirée au point 2) de la section de droite à l'aide de la quincaillerie supplémentaire fournie. Fixer le côté droit au support de sections multiples (figure 25).
7. Installer le déflecteur du milieu, en s'assurant que les ailes des deux plaques supérieures sont recouvertes (figure 26).

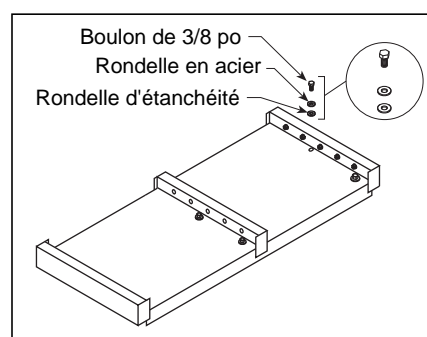
- À l'aide de six vis de 10-32 fournies, joindre le profilé vertical avant gauche de l'extension type 3R au profilé vertical avant droit de l'extension type 3R (figure 27).

Figure 27 – Jonction des profilés verticaux



- Si la cornière de levage doit être retirée des sections après l'installation, replacer toute la quincaillerie dans l'ordre indiqué (figure 28).

Figure 28 – Remplacement de la quincaillerie de la cornière de levage



Raccordement des barres-bus d'alimentation pour les armoires type 1 et type 12

⚠ DANGER

RISQUE D'ÉLECTROCUTION, D'EXPLOSION OU D'ÉCLAIR D'ARC

- Portez un équipement de protection personnelle (ÉPP) approprié et observez les méthodes de travail électrique sécuritaire. Voir NFPA 70E ou CSA Z462.
- Seul un personnel qualifié doit effectuer l'installation et l'entretien de cet appareil.
- Coupez l'alimentation de l'appareil avant d'y travailler.
- Utilisez toujours un dispositif de détection de tension ayant une valeur nominale appropriée pour vous assurer que l'alimentation est coupée.
- Remplacez tous les dispositifs, les portes et les couvercles avant de mettre l'appareil sous tension.

Si ces directives ne sont pas respectées, cela entraînera la mort ou des blessures graves.

Pour raccorder les barres-bus d'alimentation, procéder comme suit :

1. Couper toutes les alimentations à cet appareil avant d'y travailler et observer toutes les procédures d'interverrouillage et d'étiquetage. Toujours utiliser un dispositif de détection de tension ayant une valeur nominale appropriée pour vous assurer que l'alimentation est coupée.
2. Retirer les couvercles de la goulotte guide-fils horizontale et faire glisser les écrans isolants des barres-bus horizontales pour avoir accès aux connecteurs de jonction imperdables (figure 29). Voir « Annexe A—Retrait et installation des écrans isolants des barres-bus horizontales » à la page 167 pour le retrait des écrans isolants des barres-bus horizontales.

Figure 29 – Couvercles de la goulotte guide-fils horizontale et écrans isolants des barres-bus retirés



CCM de jonction à barre-bus d'alimentation avec kit de jonction à barre/phase simple (600 A et 800 A, barre-bus horizontale en cuivre, court-circuit à 65 000 A ou moins, expédié après août 2012)

REMARQUE : Le kit de jonction intégré utilisé sur les expéditions de septembre 2012 et ultérieures, contenant une barre-bus horizontale en cuivre de 600/800 A, avec tenue nominale de courant de court-circuit $\leq 65\ 000$ A RMS symétriques, comporte une barre simple par phase et n'utilise pas de barre-bus de type à fourche (voir la figure 29). NE PAS utiliser la barre simple par raccordement de phase sur l'extrémité à fourche de la barre-bus de type à fourche (voir le figure 30 pour une application incorrecte). Deux barres de raccordement doivent être utilisées sur l'extrémité à fourche de la barre-bus de type à fourche (voir les directives à partir de la page 49). Contacter votre représentant des ventes local Schneider Electric si le raccordement à deux barres nécessaire n'a pas été fourni avec votre appareil.

Figure 30 – Application correcte de raccordement (montré installé) pour la barre-bus sans fourche de 600/800 A



Figure 31 – Application incorrecte de raccordement à barre simple sur une barre-bus de type à fourche



1. Enlever les quatre boulons de la barre de raccordement intégrée (voir la figure 32).

Figure 32 – Retrait des boulons d'une barre à raccordement simple



2. Faire glisser la barre à raccordement simple vers la gauche jusqu'à ce que les deux trous de gauche soient alignés avec les trous correspondants des barres-bus horizontales sur la section de gauche (voir la figure 33).

Figure 33 – Déplacement et alignement de la barre de raccordement avec les trous de la barre-bus

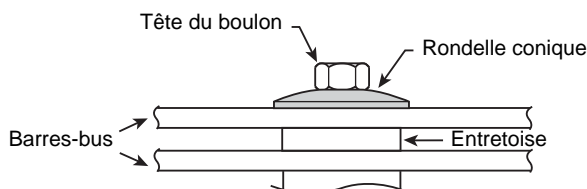


3. Réinstaller les quatre boulons dans la barre-bus horizontale sur les sections de gauche et de droite (voir la figure 34). S'assurer que les rondelles coniques originales soient réinstallées avec le côté concave faisant face à la barre-bus horizontale (voir la figure 35).

Figure 34 – Insertion de boulons de raccordement dans les sections de gauche et de droite



Figure 35 – Mise en place d'une rondelle conique sous la tête du boulon



4. Serrer tous les boulons, aux deux extrémités, au couple de serrage de 41,87 à 43,22 N•m (31 à 32 lb-pi), voir la figure 36.

Figure 36 – Serrage des boulons



5. Retourner au point 2 à la page 48 pour toutes les phases et la barre-bus de neutre (si fournie). Une fois tous les raccordements effectués, passer au point 6.
6. Avant de mettre l'appareil sous tension, faire glisser les écrans isolants des barres-bus horizontales en position fermée et remettre tous les couvercles en place.

Raccordement de barre-bus d'alimentation des CCM avec un kit de raccordement de barres/phases multiples

REMARQUE : Dans l'ensemble de raccordement intégré, situé du côté gauche de chaque barre-bus de phase, le nombre de barres de liaison par phase dépasse d'une unité le nombre de barres-bus horizontales par phase. La liaison de raccordement la plus en arrière contient les écrous imperdables.

1. Retirer les deux boulons de gauche. Desserrer, mais sans les enlever, les deux boulons de droite de l'ensemble de raccordement (figure 37).

REMARQUE : Ne pas retirer les deux boulons de droite des ensembles de raccordement. Leur retrait permettrait aux entretoises de l'ensemble de raccordement de tomber. Si cela se produisait, remonter les barres-bus de raccordement et les entretoises (le cas échéant) dans l'ordre approprié avant de continuer.

Figure 37 – Retrait des boulons de gauche et desserrage des boulons de droite sur l'ensemble de raccordement



2. Faire glisser l'ensemble de raccordement vers la gauche jusqu'à ce que les deux trous de gauche sont alignés avec les trous correspondants des barres-bus horizontales sur la section de gauche (figure 38).

Figure 38 – Alignement des trous de l'ensemble de raccordement et de la barre-bus

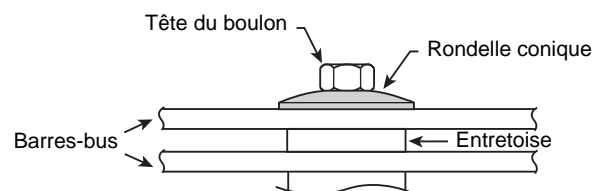


3. Réinstaller les deux boulons de gauche au travers de la barre-bus de raccordement et de la barre-bus horizontale (figure 39); s'assurer que les rondelles coniques d'origine sont réinstallées avec le côté concave faisant face à la barre-bus de raccordement (figure 40).

Figure 39 – Insertion de boulons de raccordement



Figure 40 – Mise en place d'une rondelle conique sous la tête du boulon



- Serrer tous les boulons, aux deux extrémités, au couple de serrage de 41,87 à 43,22 N•m (31 à 32 lb-pi).

Figure 41 – Serrage des boulons



- Retourner au point 2 à la page 46 pour toutes les phases et la barre-bus de neutre (si fournie). Une fois tous les raccordements effectués, passer au point 6.
- Avant de mettre l'appareil sous tension, faire glisser les écrans isolants des barres-bus horizontales en position fermée et remettre tous les couvercles en place.

Raccordement des barre-bus d'alimentation dans les armoires type 3R

⚠ DANGER

RISQUE D'ÉLECTROCUTION, D'EXPLOSION OU D'ÉCLAIR D'ARC

- Portez un équipement de protection personnelle (ÉPP) approprié et observez les méthodes de travail électrique sécuritaire. Voir NFPA 70E ou CSA Z462.
- Seul un personnel qualifié doit effectuer l'installation et l'entretien de cet appareil.
- Coupez l'alimentation de l'appareil avant d'y travailler.
- Utilisez toujours un dispositif de détection de tension ayant une valeur nominale appropriée pour vous assurer que l'alimentation est coupée.
- Remplacez tous les dispositifs, les portes et les couvercles avant de mettre l'appareil sous tension.

Si ces directives ne sont pas respectées, cela entraînera la mort ou des blessures graves.

Cette section décrit comment raccorder les barres-bus d'alimentation d'une armoire type 3R (fabriquée après février 1998) aux barres-bus d'alimentation d'une autre armoire type 3R. Le matériel de raccordement des barres-bus n'est pas imperdable si la section est munie de barres-bus décalées. Voir « Raccordement des barres-bus horizontales décalées ou 3000/3200 A (côté gauche de la structure uniquement) » à la page 60 pour les directives de raccordement des barres-bus d'alimentation décalées dans les armoires type 3R.

Pour raccorder les barres-bus d'alimentation, procéder comme suit :

- Couper toutes les alimentations à cet appareil avant d'y travailler et observer toutes les procédures d'interverrouillage et d'étiquetage. Toujours utiliser un

dispositif de détection de tension ayant une valeur nominale appropriée pour vous assurer que l'alimentation est coupée.

2. Retirer les couvercles de la goulotte guide-fils horizontale et faire glisser les écrans isolants des barres-bus horizontales pour avoir accès aux connecteurs de jonction imperdables (figure 42). Voir « Annexe A—Retrait et installation des écrans isolants des barres-bus horizontales » à la page 167 pour le retrait des écrans isolants des barres-bus horizontales.

REMARQUE : Dans l'ensemble de raccordement intégré, situé du côté gauche de chaque barre-bus de phase, le nombre de barres de liaison par phase dépasse d'une unité le nombre de barres-bus horizontales par phase. La liaison de raccordement la plus en arrière contient les écrous imperdables.

Figure 42 – Couvercles de la goulotte guide-fils retirés et écrans isolants de barres-bus horizontales ouverts



3. Retirer les deux boulons de gauche de chaque ensemble de raccordement. Desserrer ensuite, mais sans les enlever, les deux boulons de droite de chaque ensemble de raccordement (figure 43). Si la barre-bus est munie d'une entretoise de barre-bus optionnelle de 85 000 A (voir la figure 44), desserrer également l'écrou central de chaque ensemble de raccordement.

REMARQUE : Ne pas retirer les deux boulons de droite ni le boulon central (le cas échéant) des ensembles de raccordement. Leur retrait permettrait aux entretoises de l'ensemble de raccordement de tomber. Si cela se produisait, remonter les barres-bus de raccordement et les entretoises (le cas échéant) dans l'ordre approprié avant de continuer.

Figure 43 – Boulons desserrés



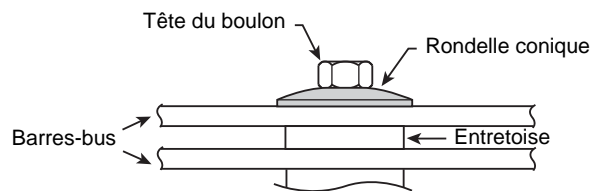
Figure 44 – Entretoise optionnelle de 85 000 A

4. Faire glisser l'ensemble de raccordement vers la gauche jusqu'à ce que les deux trous de gauche sont alignés avec les trous correspondants de la barre-bus horizontale sur la section de gauche (figure 45).

Figure 45 – Glissement de l'ensemble de raccordement vers la gauche

5. Réinstaller les deux boulons de gauche au travers de l'ensemble de raccordement et dans la barre-bus horizontale (figure 46). S'assurer que les rondelles coniques d'origine sont réinstallées avec le côté concave faisant face à la barre-bus de raccordement (figure 47).

Figure 46 – Insertion de boulons de raccordement

Figure 47 – Mise en place d'une rondelle conique sous la tête du boulon

6. Serrer les boulons au couple de serrage de 41,87 à 43,22 N•m (31 à 32 lb-pi) (figure 48).

Figure 48 – Serrage de tous les boulons

7. Répéter les points 2 à 6 pour toutes les phases et la barre-bus de neutre (si fournie).
8. Avant de mettre l'appareil sous tension, replacer tous les couvercles et écrans isolants.

Raccordement de la barre-bus de mise à la terre pour les armoires type 1, type 12 et type 3R

⚠ DANGER

RISQUE D'ÉLECTROCUTION, D'EXPLOSION OU D'ÉCLAIR D'ARC

- Portez un équipement de protection personnelle (ÉPP) approprié et observez les méthodes de travail électrique sécuritaire. Voir NFPA 70E ou CSA Z462.
- Seul un personnel qualifié doit effectuer l'installation et l'entretien de cet appareil.
- Coupez l'alimentation de l'appareil avant d'y travailler.
- Utilisez toujours un dispositif de détection de tension ayant une valeur nominale appropriée pour vous assurer que l'alimentation est coupée.
- Remplacez tous les dispositifs, les portes et les couvercles avant de mettre l'appareil sous tension.

Si ces directives ne sont pas respectées, cela entraînera la mort ou des blessures graves.

Pour raccorder la barre-bus de m.à.l.t., procéder comme suit :

1. Couper toutes les alimentations à cet appareil avant d'y travailler et observer toutes les procédures d'interverrouillage et d'étiquetage. Toujours utiliser un dispositif de détection de tension ayant une valeur nominale appropriée pour vous assurer que l'alimentation est coupée.
2. Retirer les boulons de la barre-bus de m.à.l.t. des sections de droite et de gauche (figure 49).

Figure 49 – Barre-bus de raccordement de m.à.l.t. telle qu'expédiée



3. Faire glisser la barre-bus de raccordement de m.à.l.t. dans la section de droite, en alignant les trous de montage (figure 50).

Figure 50 – Boulon de barre-bus de m.à.l.t. remis en place



4. Remplacer les boulons de la barre-bus de m.à.l.t. (figure 50 à la page 55) des sections de droite et de gauche. Serrer les deux boulons au couple de serrage de 6,75 à 8,44 N•m (60 à 75 lb-po).
5. Remplacer tous les couvercles et écrans isolants et fermer toutes les portes.

Épissurage de la barre-bus de m.à.l.t. pour les sections principales ArcBlok à acheminement par le bas

⚠ DANGER

RISQUE D'ÉLECTROCUTION, D'EXPLOSION OU D'ÉCLAIR D'ARC

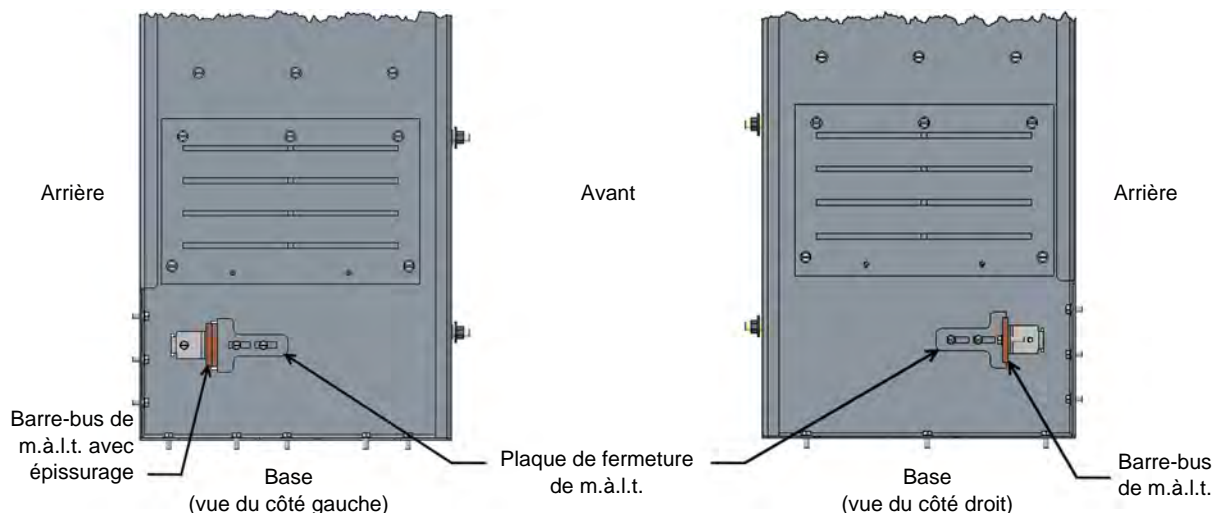
- Portez un équipement de protection personnel (ÉPP) approprié et observez les méthodes de travail électrique sécuritaire. Voir NFPA 70E ou CSA Z462.
- Seul un personnel qualifié doit effectuer l'installation et l'entretien de cet appareil.
- Couper toutes les alimentations à cet appareil avant d'y travailler et observer toutes les procédures d'interverrouillage et d'étiquetage en vigueur au sein de votre organisation.
- Utilisez toujours un dispositif de détection de tension à valeur nominale appropriée pour s'assurer que l'alimentation est coupée.
- Remplacez tous les dispositifs, les portes et les couvercles avant de mettre l'appareil sous tension.

Si ces directives ne sont pas respectées, cela entraînera la mort ou des blessures graves.

Pour épissurer la barre-bus, procéder comme suit :

1. Retirer le couvercle avant du compartiment de câbles pour accéder à l'assemblage de barre-bus de m.à.l.t.
2. Faire glisser la barre-bus de raccordement de m.à.l.t. dans la section de droite, en alignant les trous de montage.
3. Replacer les boulons de la barre-bus de m.à.l.t. (voir figure Figure 50 à la page 55) des sections de droite et de gauche.
4. Serrer les deux boulons au couple de serrage 6,75 à 8,44 N•m (60 à 75 lb-po).
5. Mettre les plaques de fermeture en position pour sceller le compartiment de câbles (voir la figure 51).
 - a. Faire glisser la plaque de fermeture de m.à.l.t. gauche contre la barre-bus de raccordement.
 - b. Faites glisser la plaque de fermeture de m.à.l.t. droite pour fermer complètement l'ouverture d'épissurage du panneau du compartiment de câbles.
6. Remettre en place tous les couvercles et toutes les barrières et fermer toutes les portes.

Figure 51 – Emplacement des plaques de fermeture de m.à.l.t.



Raccordement de barre-bus d'alimentation d'une barre-bus de 2500 A à un court-circuit nominal de 100 000 A

Cette section fournit les directives de raccordement de la barre-bus d'alimentation d'une armoire type 1 ou type 12 munie de barre-bus de 2500 A entretoisées pour 100 000 A, à la barre-bus d'alimentation d'une autre section du même type. Le matériel de raccordement de l'ensemble de raccordement intégré est imperdable à moins que cette section ne soit munie de barres-bus décalées.

⚠ DANGER

RISQUE D'ÉLECTROCUTION, D'EXPLOSION OU D'ÉCLAIR D'ARC

- Portez un équipement de protection personnelle (ÉPP) approprié et observez les méthodes de travail électrique sécuritaire. Voir NFPA 70E ou CSA Z462.
- Seul un personnel qualifié doit effectuer l'installation et l'entretien de cet appareil.
- Coupez l'alimentation de l'appareil avant d'y travailler.
- Utilisez toujours un dispositif de détection de tension ayant une valeur nominale appropriée pour vous assurer que l'alimentation est coupée.
- Remplacez tous les dispositifs, les portes et les couvercles avant de mettre l'appareil sous tension.

Si ces directives ne sont pas respectées, cela entraînera la mort ou des blessures graves.

Pour raccorder les barres-bus d'alimentation, procéder comme suit :

1. Couper toutes les alimentations à cet appareil avant d'y travailler et observer toutes les procédures d'interverrouillage et d'étiquetage. Toujours utiliser un dispositif de détection de tension ayant une valeur nominale appropriée pour vous assurer que l'alimentation est coupée.
2. Retirer les couvercles de la goulotte guide-fils horizontale et faire glisser les écrans isolants des barres-bus horizontales pour avoir accès aux connecteurs de jonction imperdables (figure 52 à la page 57). Voir l'Annexe A pour le retrait des écrans isolants des barres-bus horizontales.

REMARQUE : Dans l'ensemble de raccordement intégré, situé du côté gauche de chaque barre-bus de phase, le nombre de barres de liaison par phase dépasse d'une unité le nombre de barres-bus horizontales par phase. La liaison de raccordement la plus en arrière contient les écrous imperdables.

Figure 52 – Couvercles de la goulotte guide-fils retirés et écrans isolants de barres-bus horizontales ouverts



- Retirer les quatre boulons de chaque ensemble de raccordement (figure 53).

Figure 53 – Retrait des boulons de l'ensemble de raccordement



- Faire glisser l'ensemble de raccordement vers la gauche jusqu'à ce que les deux trous de gauche soient alignés avec les trous correspondants de la barre-bus horizontale sur la section de gauche (figure 54).

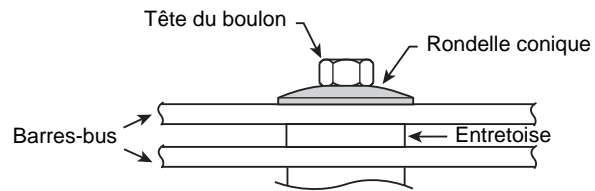
Figure 54 – Alignement des trous de l'ensemble de raccordement et de la barre-bus



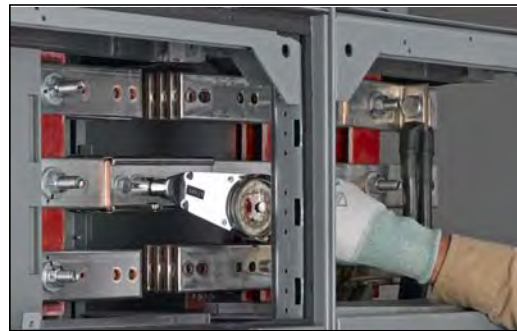
- Réinstaller les quatre boulons au travers de l'ensemble de raccordement et dans la barre-bus horizontale (figure 55); s'assurer que les rondelles coniques d'origine sont réinstallées avec le côté concave faisant face à la barre-bus de raccordement (figure 56).

Figure 55 – Insertion de boulons de raccordement



Figure 56 – Mise en place d'une rondelle conique sous la tête du boulon

6. Serrer tous les boulons, aux deux extrémités, au couple de serrage de 41,87 à 43,22 N•m (31 à 32 lb-pi). Voir la figure 57.

Figure 57 – Serrage de tous les boulons

7. Répéter les points 2 à 6 pour toutes les phases et la barre-bus de neutre (si fournie).
8. Avant de mettre l'appareil sous tension, remplacer tous les couvercles et écrans isolants.

Raccordement des barres-bus horizontales décalées ou 3000/3200 A (côté gauche de la structure uniquement)

⚠ DANGER

RISQUE D'ÉLECTROCUTION, D'EXPLOSION OU D'ÉCLAIR D'ARC

- Portez un équipement de protection personnelle (ÉPP) approprié et observez les méthodes de travail électrique sécuritaire. Voir NFPA 70E ou CSA Z462.
- Seul un personnel qualifié doit effectuer l'installation et l'entretien de cet appareil.
- Coupez l'alimentation de l'appareil avant d'y travailler.
- Utilisez toujours un dispositif de détection de tension ayant une valeur nominale appropriée pour vous assurer que l'alimentation est coupée.
- Remplacez tous les dispositifs, les portes et les couvercles avant de mettre l'appareil sous tension.

Si ces directives ne sont pas respectées, cela entraînera la mort ou des blessures graves.

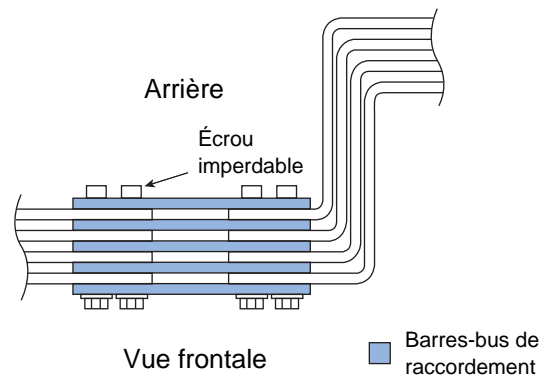
- REMARQUES :**
- Dans toutes les structures munies de barres-bus horizontales décalées ou 3000/3200 A, les barres-bus de raccordement sont fournies sous forme de kit. Ce kit est emballé dans un carton et expédié à l'intérieur de la structure. Le kit contient toutes les barres-bus de raccordement et la quincaillerie de montage nécessaires pour le raccordement des barres-bus horizontales.
 - Utiliser le kit de raccordement seulement si le raccordement doit s'effectuer sur la gauche (quand on fait face à la structure). Si le raccordement n'est pas sur la gauche, retirer le kit avant de mettre sous tension et le mettre de côté pour une expansion future. Si une structure doit être raccordée à une autre structure sur la droite, suivre les directives de raccordement fournies pour l'application de cette structure.
 - Dans l'ensemble de raccordement intégré, situé du côté gauche de chaque barre-bus de phase, le nombre de barres de liaison par phase dépasse d'une unité le nombre de barres-bus horizontales par phase. La liaison de raccordement la plus en arrière contient les écrous imperdables.

Pour raccorder des barres-bus horizontales sur le côté gauche de la structure, procéder comme suit :

1. Couper toutes les alimentations à cet appareil avant d'y travailler et observer toutes les procédures d'interverrouillage et d'étiquetage. Toujours utiliser un dispositif de détection de tension ayant une valeur nominale appropriée pour vous assurer que l'alimentation est coupée.
2. Joindre les sections ensemble en observant les points appropriés, qui commencent à « Mise en place des CCM » à la page 24 et qui continuent jusqu'à la page 44. Cela procure l'alignement correct des barres-bus horizontales.

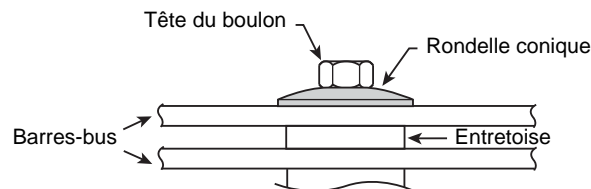
- Positionner la barre-bus de raccordement arrière (barre avec écrous imperdables; figure 58) contre la face arrière de la barre-bus horizontale arrière.

Figure 58 – Raccordement des barres-bus horizontales décalées



- Installer une barre de raccordement ordinaire entre chaque lamelle de la barre-bus horizontale; installer la dernière barre contre la face avant de la barre-bus horizontale (figure 58).
- Aligner les quatre trous de montage de la barre-bus de raccordement et de la barre-bus horizontale.
- Réinstaller les deux boulons de gauche au travers de l'ensemble de raccordement et dans la barre-bus horizontale. S'assurer que les rondelles coniques d'origine sont réinstallées avec le côté concave faisant face à la barre-bus de raccordement (figure 59).

Figure 59 – Mise en place d'une rondelle conique sous la tête du boulon



- Pour les raccordements des barres-bus principales de 600 à 2 500 A, serrer les boulons au couple de 31 à 32 lb-pi (42 à 43 N•m). Pour les raccordements des barres-bus principales de 3 000 ou 3 200 A, serrer les boulons au couple de 70 lb-pi (95 N•m). Serrer l'écrou central sur les assemblages de barres de raccordement 3R, renforcées, de 85 kA (voir « Raccordement des barres-bus d'alimentation dans les armoires type 3R » à la page 51) au couple de 70 lb-pi (95 N•m).
- Répéter les points 2 à 6 pour chacune des trois phases de barres-bus horizontales.
- Avant de mettre l'appareil sous tension, replacer tous les couvercles et écrans isolants.

Entrée des conducteurs

⚠ DANGER

RISQUE D'ÉLECTROCUTION, D'EXPLOSION OU D'ÉCLAIR D'ARC

- Portez un équipement de protection personnelle (ÉPP) approprié et observez les méthodes de travail électrique sécuritaire. Voir NFPA 70E ou CSA Z462.
- Seul un personnel qualifié doit effectuer l'installation et l'entretien de cet appareil.
- Coupez l'alimentation de l'appareil avant d'y travailler.
- Utilisez toujours un dispositif de détection de tension ayant une valeur nominale appropriée pour vous assurer que l'alimentation est coupée.
- Remplacez tous les dispositifs, les portes et les couvercles avant de mettre l'appareil sous tension.

Si ces directives ne sont pas respectées, cela entraînera la mort ou des blessures graves.

Une zone d'entrée pour les conduits est fournie au haut et au bas de la structure du CCM. Les plaques supérieures (et les plaques de fermeture à la partie inférieure, le cas échéant) sont détachables afin de faciliter le câblage et la découpe des ouvertures pour les conduits). Une porte à charnières ou un couvercle permet d'accéder aux cosses principales, au disjoncteur principal ou au compartiment de l'interrupteur principal. Dans certains cas, le couvercle de la goulotte guide-fils horizontale doit être retiré.

Des boîtes de tirage sont disponibles si un espace de câblage supplémentaire est requis.

Les valeurs de couple de serrage des connexions sont indiquées dans les tableaux 4 et 5 à la page 82.

Entrée des conducteurs pour compartiment de câbles d'isolation côté ligne avec ArcBlok

Pour l'acheminement des conduits dans les sections de disjoncteur principal avec ArcBlok et compartiments de câbles d'isolation côté ligne :

- Utiliser une boîte de tirage de 18 po. à acheminement par le haut avec plaque supérieure amovible.
- Pour les compartiments de câbles d'isolation côté ligne, retirer les couvercles et barrières de l'armoire avant de retirer le couvercle avant du compartiment de câbles et le couvercle ArcBlok.

Figure 60 – Compartiment de câbles d'isolation côté ligne et disjoncteur principal ArcBlok avec accès par le haut

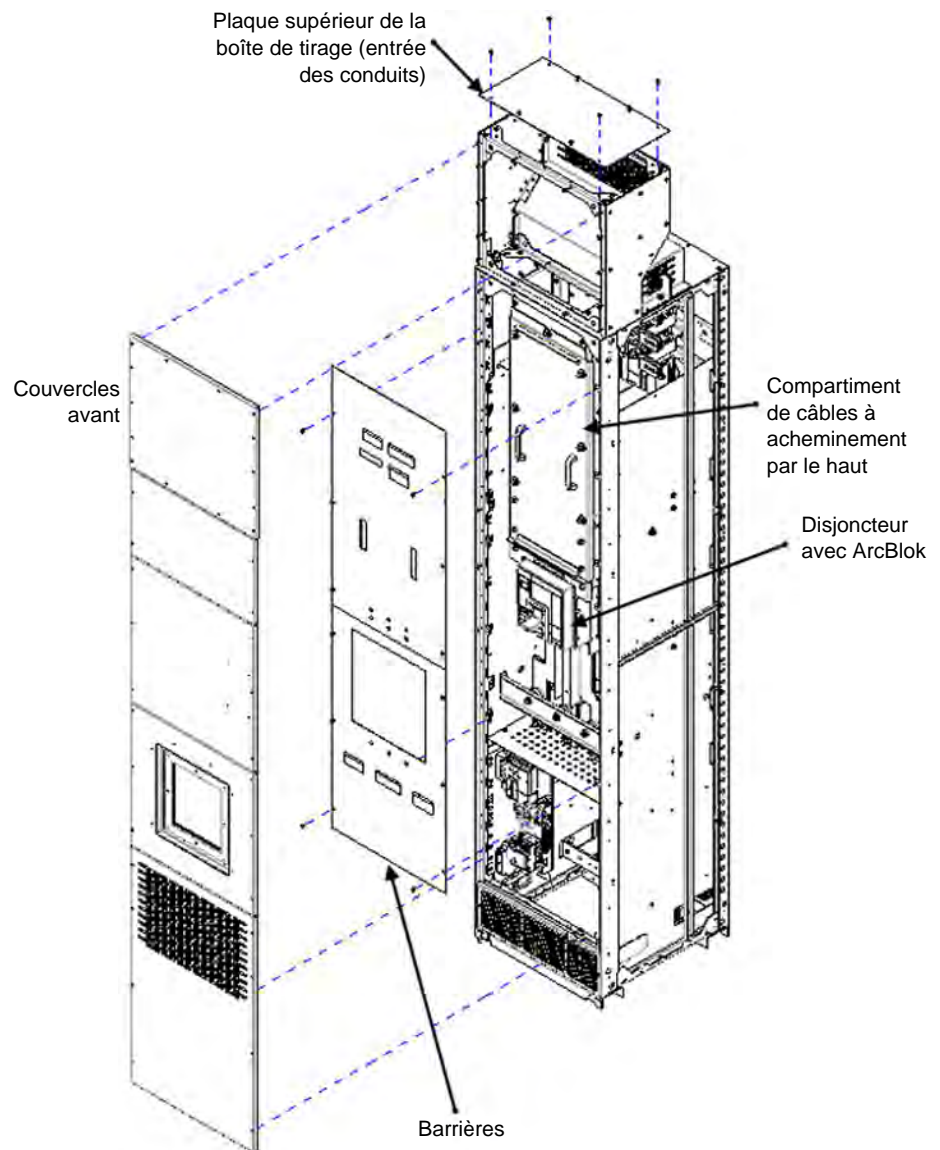


Figure 61 – Compartiment de câbles d'isolation côté ligne et disjoncteur à cosses principal ArcBlok avec accès par le haut

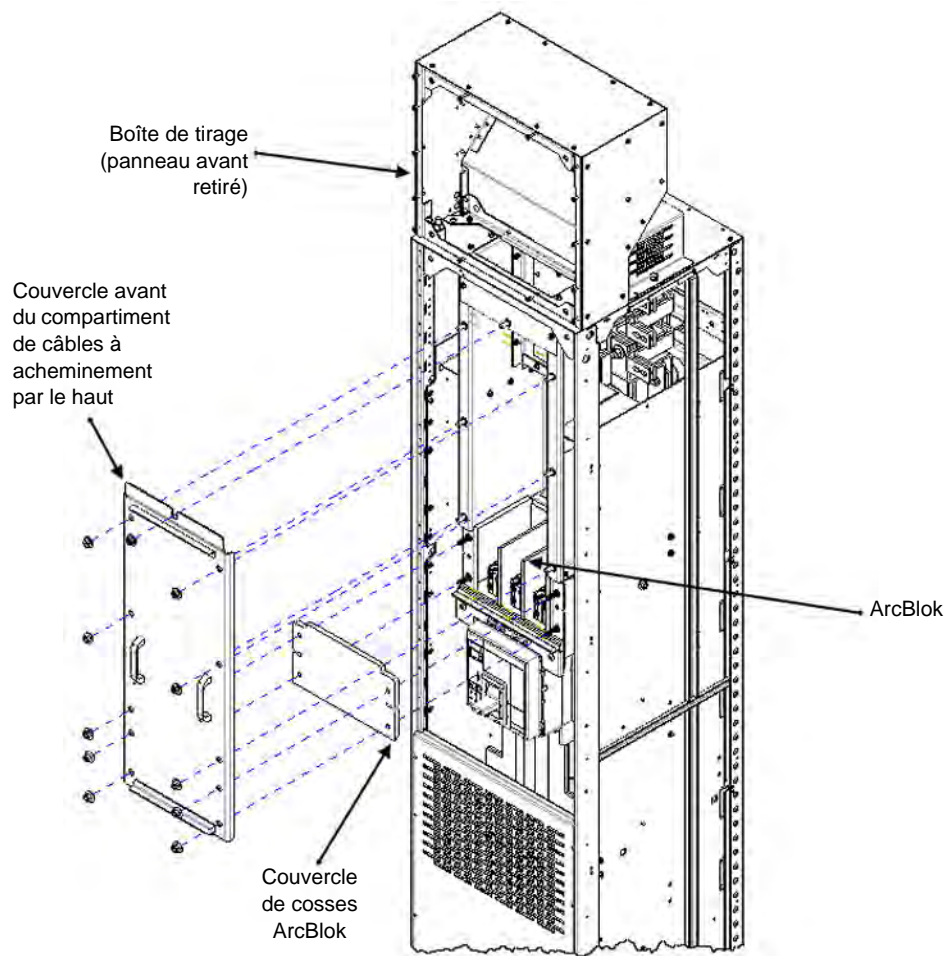
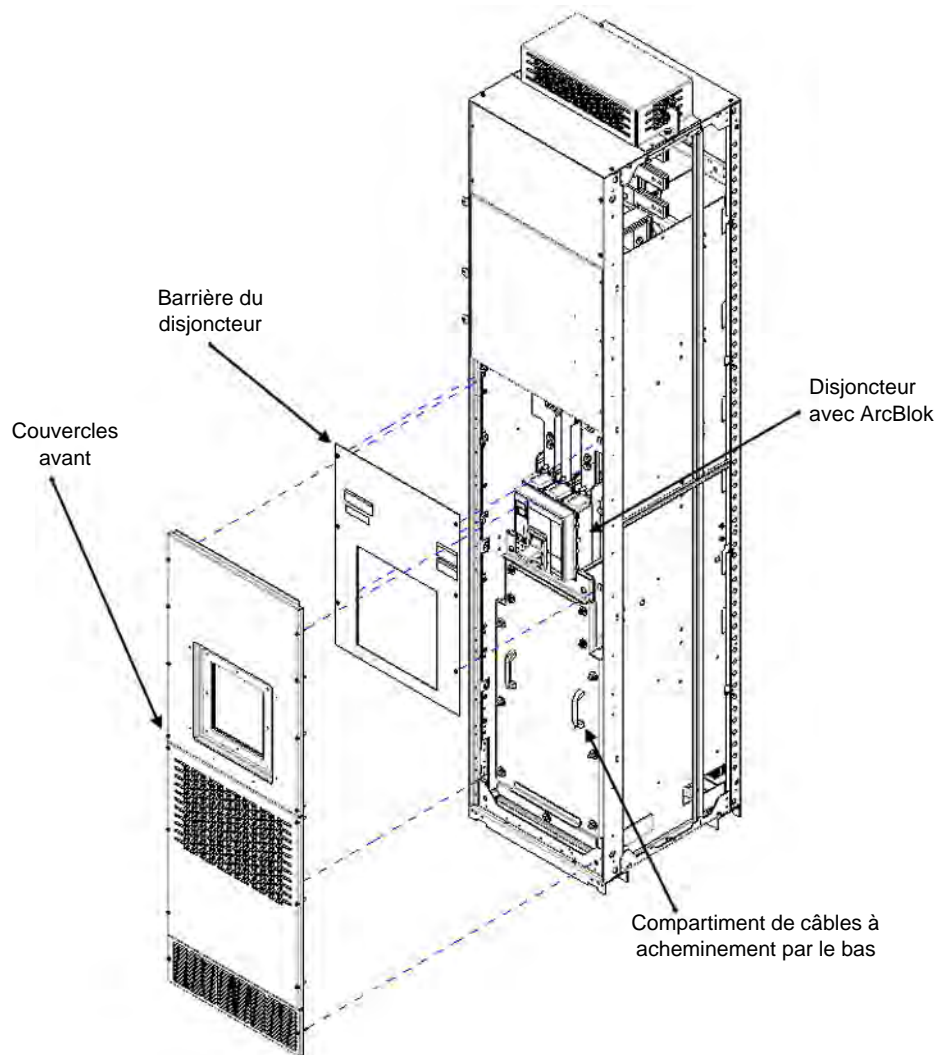
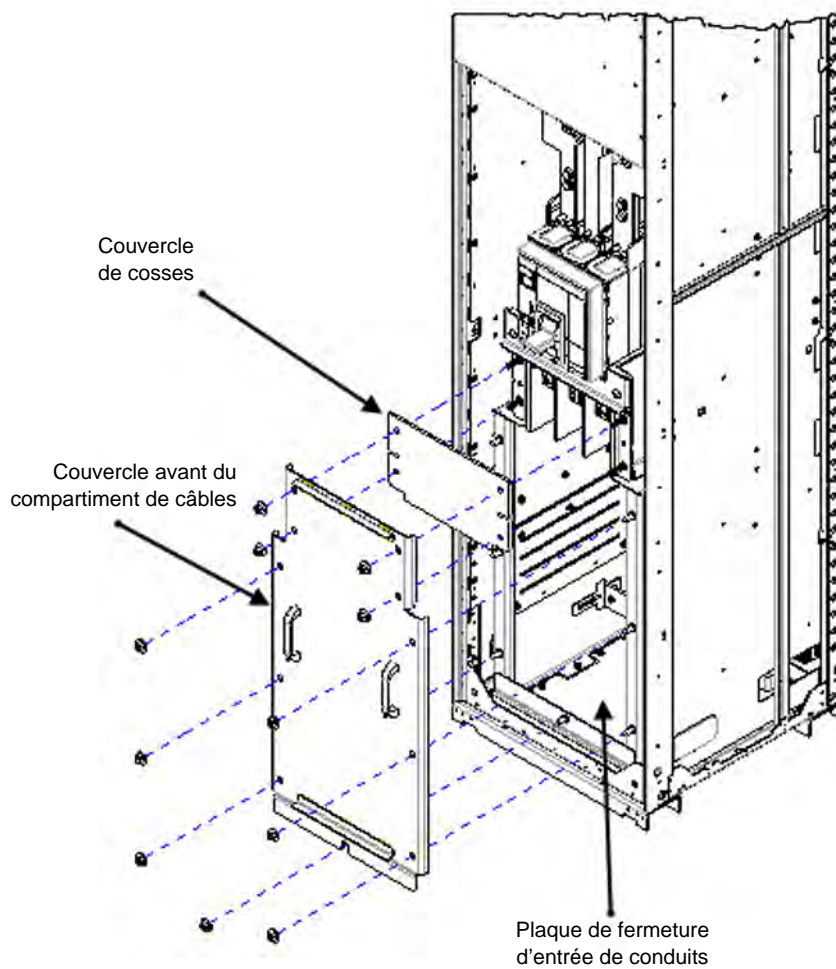


Figure 62 – Compartiment de câbles d’isolation côté ligne et disjoncteur principal ArcBlok avec accès par le bas



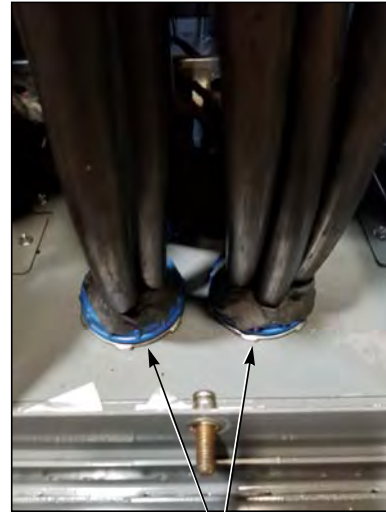
FRANÇAIS

Figure 63 – Compartiment de câbles d'isolation côté ligne et disjoncteur à cosses principal ArcBlok avec accès par le bas



REMARQUE : L'entrée des câbles dans les compartiments de câbles d'isolation côté ligne doit utiliser le moyen de raccordement de conduit installé sur la plaque de fermeture (applications à acheminement par le bas) ou la plaque de fermeture supérieure de la boîte tirage (applications à acheminement par le haut). Les conduits doivent être étanchésés avec du mastic spécial pour conduits.

Figure 64 – Installation et étanchésisation des conduits dans le compartiment de câbles d'isolation côté ligne



Conduit dans la plaque de fermeture inférieure amovible étanchésisé avec du mastic pour conduits

Instructions de liage des câbles entrant – Compartiment de câbles d’isolation côté ligne

Tous les câbles doivent être liés solidement avant installation du couvercle avant du compartiment de câbles.

⚠ DANGER

RISQUE D'ÉLECTROCUTION, D'EXPLOSION OU D'ÉCLAIR D'ARC

- Portez un équipement de protection personnelle (ÉPP) approprié et observez les méthodes de travail électrique sécuritaire. Voir NFPA 70E ou CSA Z462.
- Coupez l'alimentation de l'appareil avant d'y travailler.
- Utilisez toujours un dispositif de détection de tension ayant une valeur nominale appropriée pour vous assurer que l'alimentation est coupée.
- Remplacez tous les dispositifs, les portes et les couvercles avant de mettre l'appareil sous tension.

Si ces directives ne sont pas respectées, cela entraînera la mort ou des blessures graves.

1. Pour le liage, utiliser de la corde de sisal ou de chanvre offrant un minimum de 2500 livres de traction (625 livres de charge de travail). Avant de lier les câbles, appliquer du ruban adhésif aux extrémités effilochées de la corde.
2. Lier en un seul faisceau les câbles de toutes les phases avec une même longueur de corde continue. Le couvercle de cosses ArcBlok doit avoir été mis en place et boulonné avant le liage (voir la figure 65 à la page 68). Veiller à ce que les barrières interphases soient insérées dans les rainures du couvercle de cosses ArcBlok. Dans le cas contraire, la performance de l'équipement pourrait être affectée.

Figure 65 – Couvercle de cosses ArcBlok en place avant le liage



Couvercle
de cosses
ArcBlok

3. Pour le liage, utiliser deux groupes de boucles : un à l'entrée et un plus près de l'ArcBlok.
4. Attacher une extrémité de la corde au faisceau de câbles.
5. Après avoir attaché la corde aux câbles, faire une boucle avec la corde et faire passer cette boucle autour du faisceau de câbles par derrière. Faire passer

l'extrémité libre de la corde à travers la boucle (figure 66).

Figure 66 – Première boucle de liage des câbles

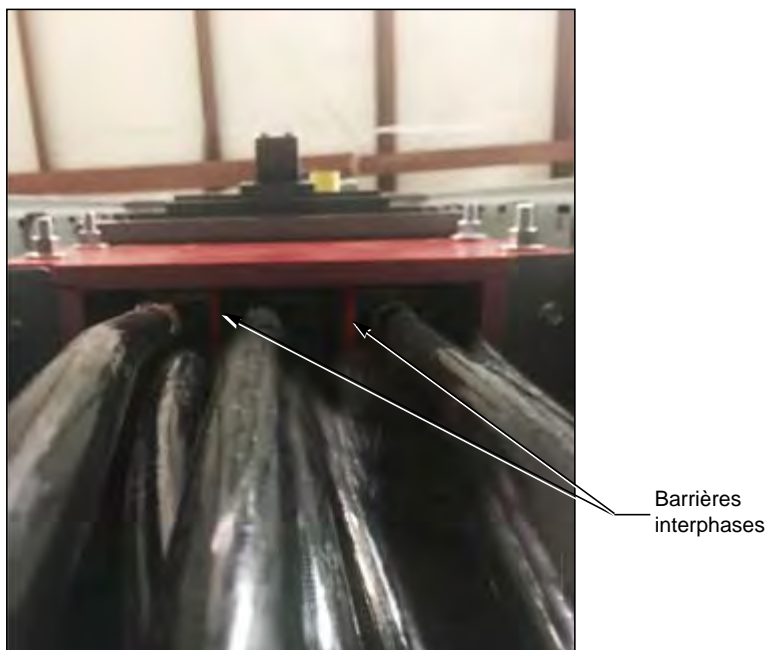


6. Continuer à tirer la corde à travers la boucle jusqu'à ce que la corde soit tendue. Continuer pour faire un groupe de deux boucles, de façon à enserrer quatre fois le faisceau de câbles.
7. Ensuite, pour créer le deuxième groupe de boucles, faire passer la corde autour du faisceau de câbles. Faire une boucle en tirant l'extrémité libre sous la corde. Continuer à tirer la corde à travers la boucle jusqu'à ce que le faisceau de câbles soit bien serré. Répéter l'opération pour faire un groupe de deux boucles, de façon à enserrer quatre fois le faisceau de câbles. L'espacement entre les groupes de boucles du haut et du bas doit être d'au moins 4 po (102 mm) (figure 67).

Figure 67 – Groupes de liage de câbles du haut et du bas

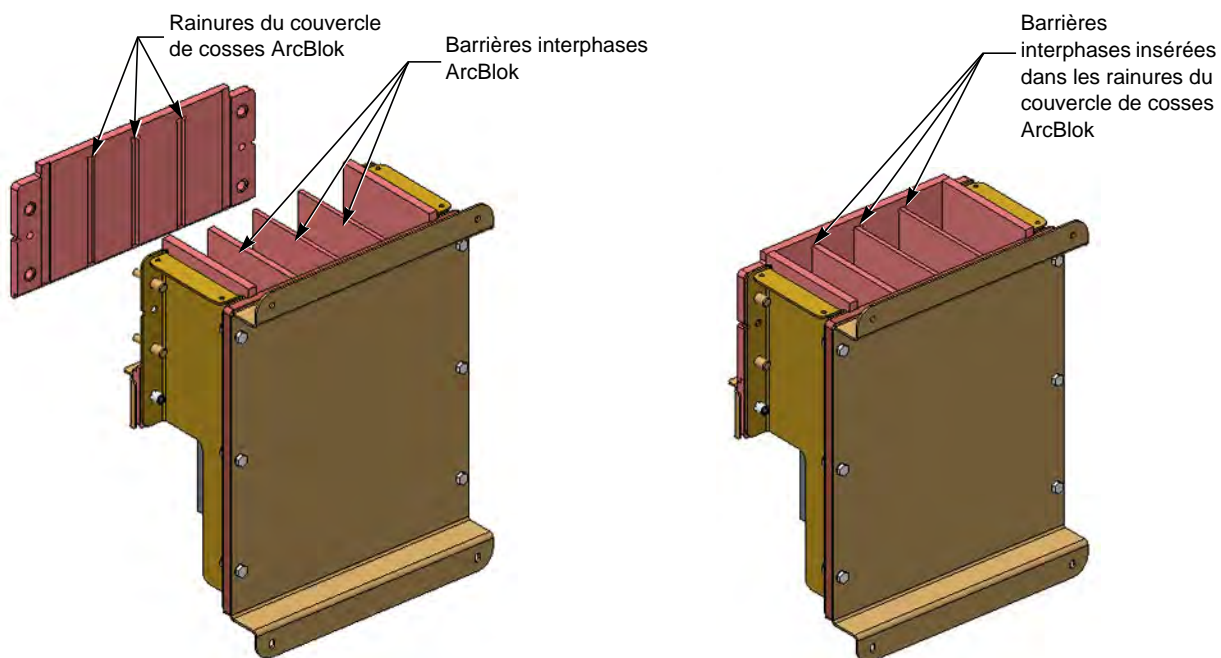


8. Veiller à ce que les faisceaux de câbles ne désengagent pas les barrières des rainures du couvercle de cosses (figure 68 ci-dessous et figure 69 à la page 71).

Figure 68 – Barrières interphases ArcBlok

9. Après avoir lié entièrement le faisceau de câbles, attacher solidement les extrémités des cordes aux groupes de boucles, puis couper et entourer les extrémités avec un ruban adhésif pour les empêcher de s'effiloche. Veiller à ce que les extrémités de la corde n'obstruent pas le couvercle avant du compartiment de câbles, les joints en chevauchement, ni l'amortisseur du panneau arrière.
10. Tout en maintenant le couvercle de cosses ArcBlok en place, retirer toute la quincaillerie du couvercle.

REMARQUE : Veiller à ce que les barrières interphases restent bien insérées dans les rainures du couvercle de cosses ArcBlok (figure 69).

Figure 69 – Barrières interphases et couvercle de cosses ArcBlok

11. Placer le couvercle avant du compartiment de câbles sur la partie supérieure du couvercle de cosses ArcBlok.
12. Installer les écrous Keps™ 3/8-16 et serrer au couple de 27 à 31 N•m (20 à 23 lb-pi).

Installation des capots d'aération

⚠ DANGER

RISQUE D'ÉLECTROCUTION, D'EXPLOSION OU D'ÉCLAIR D'ARC

- Portez un équipement de protection personnelle (ÉPP) approprié et observez les méthodes de travail électrique sécuritaire. Voir NFPA 70E ou CSA Z462.
- Seul un personnel qualifié doit effectuer l'installation et l'entretien de cet appareil.
- Coupez l'alimentation de l'appareil avant d'y travailler.
- Utilisez toujours un dispositif de détection de tension ayant une valeur nominale appropriée pour vous assurer que l'alimentation est coupée.
- Remplacez tous les dispositifs, les portes et les couvercles avant de mettre l'appareil sous tension.
- Ne percez et ne découpez pas la partie supérieure du centre de commande de moteurs.
- Évitez de contaminer le centre de commande de moteurs par de la saleté ou des débris.
- NE soulevez PAS l'armoire par le capot d'aération ou en attachant les cornières de levage au capot d'aération.

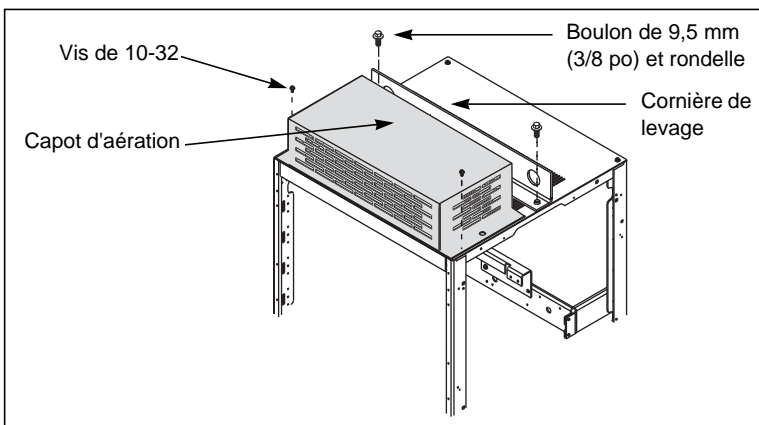
Si ces directives ne sont pas respectées, cela entraînera la mort ou des blessures graves.

Cette section contient les directives d'installation d'un capot d'aération sur les bouches d'aération de la plaque supérieure d'un centre de commande de moteurs (CCM).

- REMARQUES :**
- Ne pas installer le capot d'aération tant que le CCM ne se trouve pas à son emplacement définitif.
 - Mettre toute la quincaillerie de côté.

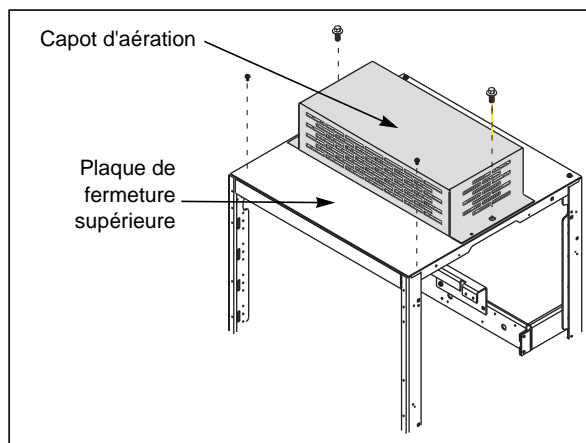
1. Couper toutes les alimentations à cet appareil avant d'y travailler et observer toutes les procédures d'interverrouillage et d'étiquetage. Toujours utiliser un dispositif de détection de tension ayant une valeur nominale appropriée pour vous assurer que l'alimentation est coupée.
2. Retirer les boulons de 9,5 mm (3/8 po), les rondelles et la cornière de levage (figure 70).

Figure 70 – Retrait de la quincaillerie



3. Retirer les deux vis de 10-32 qui retiennent le capot d'aération et la plaque de fermeture sur le dessus de l'armoire (figure 71).

Figure 71 – Repositionner et attacher le capot d'aération



4. Une fois le capot d'aération retiré, fixer la plaque de fermeture supérieure en réinstallant les vis de 10-32 retirées au point 3 (figure 71).
5. Positionner le capot d'aération sur le dessus de l'armoire comme indiqué.
6. Fixer le capot d'aération en place à l'aide des deux boulons de 9,5 mm (3/8 po) et des rondelles retirées au point 2. Serrer les boulons au couple de serrage de 3,164 à 3,729 N•m (28 à 33 lb-po).

Installation de la boîte de tirage

⚠ DANGER

RISQUE D'ÉLECTROCUTION, D'EXPLOSION OU D'ÉCLAIR D'ARC

- Portez un équipement de protection personnelle (ÉPP) approprié et observez les méthodes de travail électrique sécuritaire. Voir NFPA 70E ou CSA Z462.
- Seul un personnel qualifié doit effectuer l'installation et l'entretien de cet appareil.
- Coupez l'alimentation de l'appareil avant d'y travailler.
- Utilisez toujours un dispositif de détection de tension ayant une valeur nominale appropriée pour vous assurer que l'alimentation est coupée.
- Remplacez tous les dispositifs, les portes et les couvercles avant de mettre l'appareil sous tension.
- Ne percez et ne découpez pas la partie supérieure du centre de commande de moteurs.
- Évitez de contaminer le centre de commande de moteurs par de la saleté ou des débris.
- NE soulevez PAS l'armoire par la boîte de tirage ou en attachant les cornières de levage à la boîte de tirage.

Si ces directives ne sont pas respectées, cela entraînera la mort ou des blessures graves.

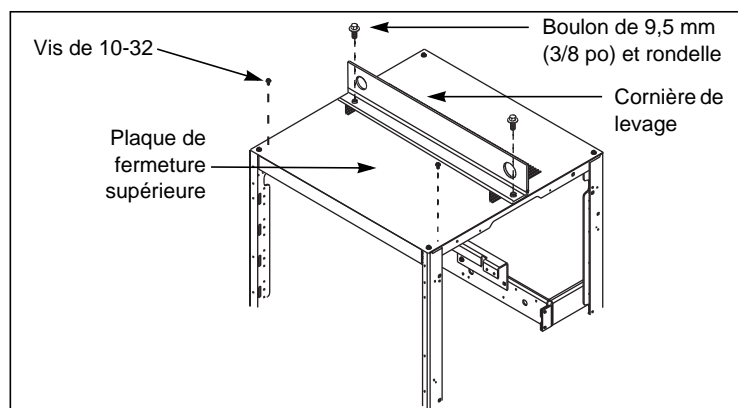
Cette section contient les directives d'installation d'une boîte de tirage sur les CCM à basse tension. Les boîtes de tirage ont une hauteur de 304,8 mm (12 po) ou 457,2 mm (18 po) et se montent sur le dessus du CCM.

- REMARQUES :**
- Ne pas installer la boîte de tirage tant que le CCM ne se trouve pas à son emplacement définitif.
 - Mettre toute la quincaillerie de côté.

Boîte de tirage pour CCM basse tension standard

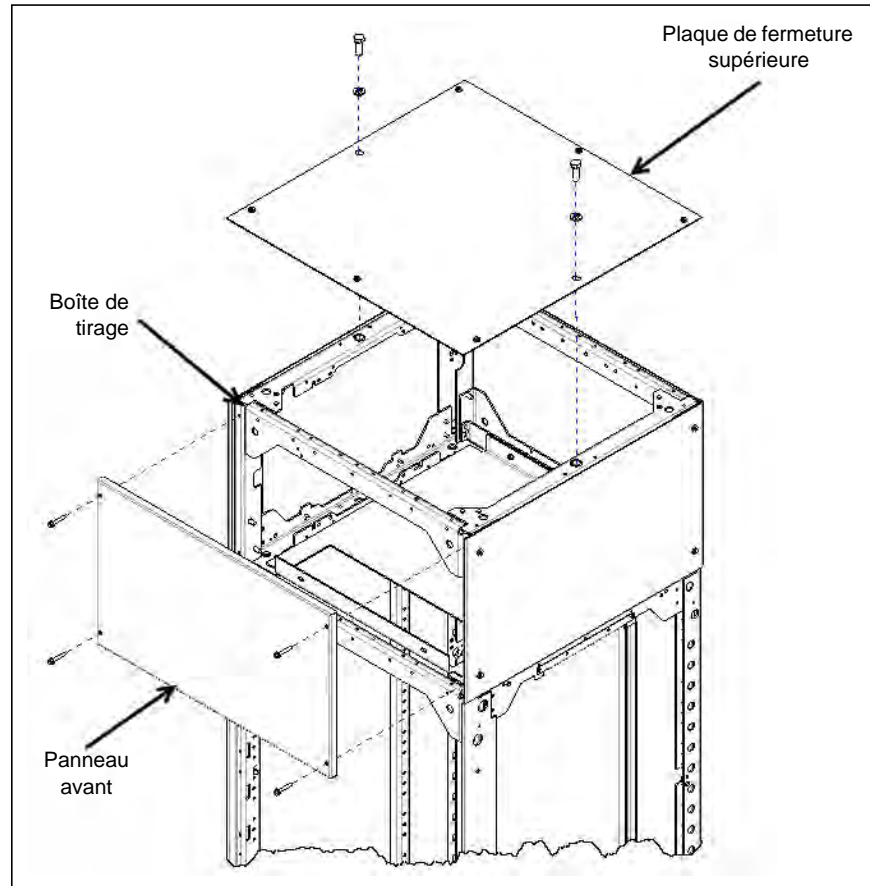
1. Couper toutes les alimentations à cet appareil avant d'y travailler et observer toutes les procédures d'interverrouillage et d'étiquetage. Toujours utiliser un dispositif de détection de tension ayant une valeur nominale appropriée pour vous assurer que l'alimentation est coupée.
2. Retirer les boulons de 9,5 mm (3/8 po), les rondelles et la cornière de levage (figure 70).

Figure 72 – Retrait de la quincaillerie



3. Retirer les deux vis de 10-32 qui attachent la plaque de fermeture supérieure sur le dessus de l'armoire (figure 70).
4. Retirer la plaque de fermeture supérieure de la structure.
5. Retirer le panneau avant de la boîte de tirage. Positionner la boîte de tirage sur le dessus de l'armoire comme indiqué à la figure 73.

Figure 73 – Installation de la boîte de tirage

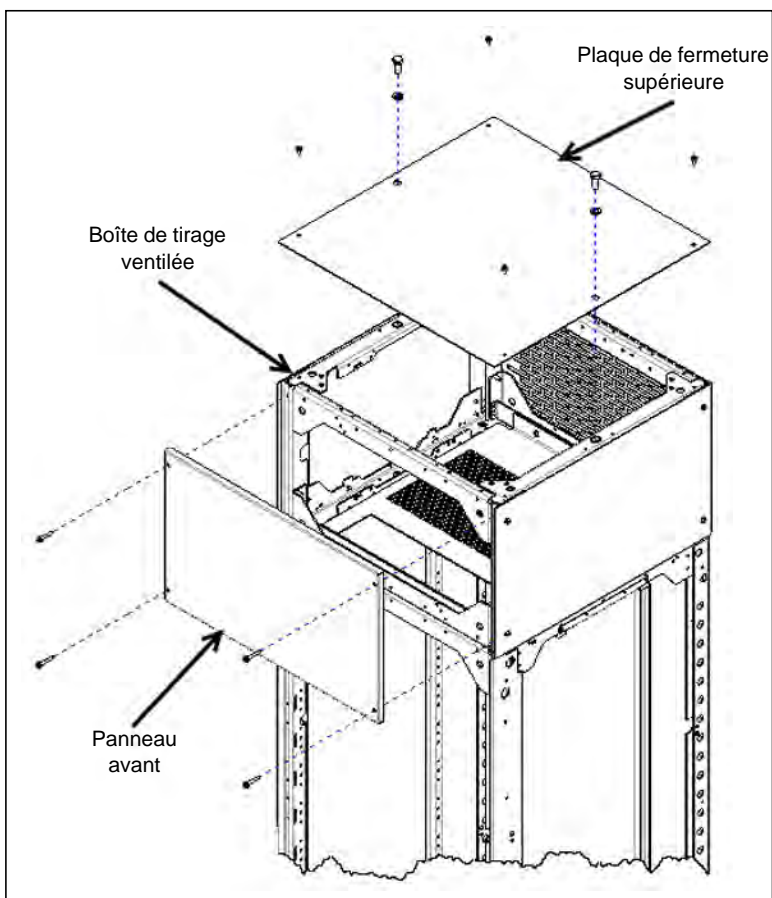


6. Installer les deux boulons de 9,5 mm (3/8 po) et les rondelles retirées au point 2. Les mettre en place dans les profilés inférieurs de chaque côté de la boîte de tirage et dans le dessus de l'armoire. Serrer les boulons au couple de serrage de 3,164 à 3,729 N•m (28 à 33 lb-po).
7. Réinstaller le panneau avant de la boîte de tirage (retiré au point 5) et la plaque de fermeture supérieure, retirée au point 4 (figure 73).

Boîte de tirage pour CCM basse tension ventilée

1. Suivre les mêmes instructions que l'installation d'une boîte de tirage standard, mais en retirant et en mettant au rebut la plaque de fermeture supérieure de la section CCM. La boîte de tirage ventilée est fournie avec une plaque supérieure non ajourée.

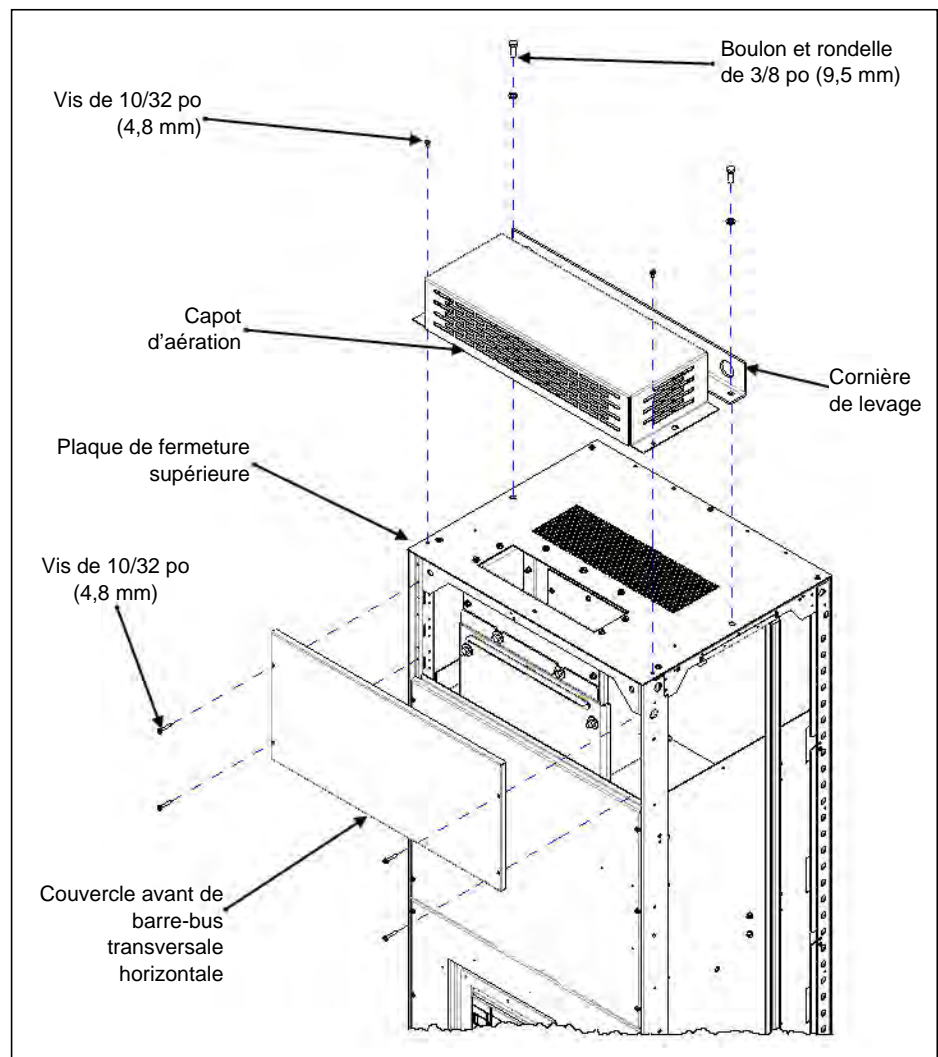
Figure 74 – Installer la boîte de tirage



Boîte de tirage pour CCM basse tension, isolation côté ligne

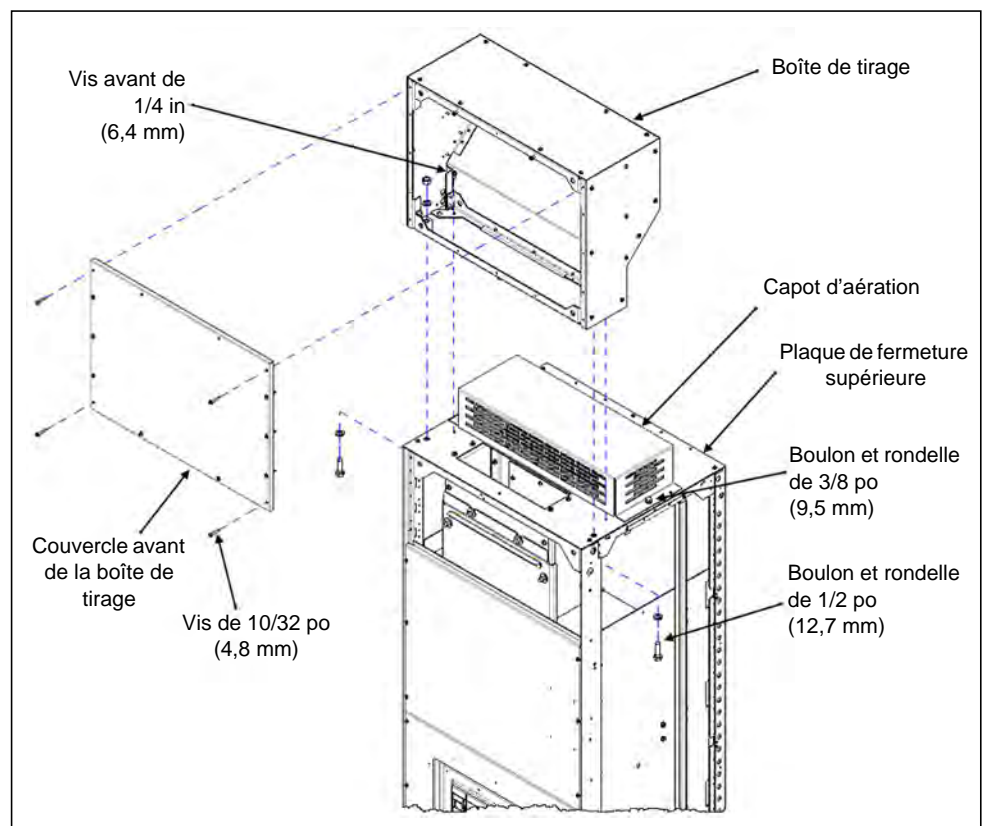
1. Couper toutes les alimentations à cet appareil avant d'y travailler et observer toutes les procédures d'interverrouillage et d'étiquetage. Toujours utiliser un dispositif de détection de tension à valeur nominale appropriée pour s'assurer que l'alimentation est coupée.
2. Retirer les boulons et rondelles de 3/8 po (9,5 mm) et la cornière de levage (figure 75).
3. Retirer les vis de 10/32 po (4,8 mm) et le capot d'aération (figure 75).
4. Retirer les vis de 10/32 po (4,8 mm) et le couvercle avant de barre-bus transversale horizontale (figure 75).

Figure 75 – Retirer la quincaillerie



5. Retirer le couvercle avant de la boîte de tirage afin de dégager l'accès pour l'installation (figure 76).
6. Installer les boulons et rondelles de 1/2 po (12,7 mm) de l'intérieur de l'armoire en passant par la plaque de fermeture supérieure et en direction du profilé avant de la boîte de tirage. Terminer le raccordement avec une rondelle et un écrou à l'intérieur de la boîte de tirage.
7. Installer deux vis de 1/4 po (6,4 mm) sur le profilé arrière de la boîte de tirage en direction de la plaque de fermeture supérieure.
8. Installer les deux vis et rondelles de 3/8 po (9,5 mm) retirées à l'étape 2. Les faire passer par les ailes latérales inférieures du capot d'aération jusque vers le haut de l'armoire. Serrer au couple de 3,164 à 3,729 N•m (28 à 33 lb-po).
9. Réinstaller le couvercle avant de la boîte de tirage retiré à l'étape 5 (figure 76) et le couvercle avant de la barre-bus transversale horizontale retiré à l'étape 4 (figure 75 à la page 77).

Figure 76 – Installer la boîte de tirage



Câblage de charge et de contrôle

Les goulottes guide-fils supérieures et inférieures et la goulotte guide-fils verticale sont des zones commodes pour l'acheminement d'une ligne d'arrivée, de fils de charge et de contrôle (figure 77). Les ouvertures entre les sections permettent aux fils de passer d'une section à la suivante pour un inter-câblage.

Figure 77 – Câblage dans la goulotte guide-fils horizontale supérieure



Les fils de contrôle et d'alimentation sont acheminés vers chaque unité via la goulotte guide-fils verticale. Lorsqu'ils sont fournis, les ports de câblage avec passe-fils en caoutchouc doivent être ouverts pour acheminer les fils vers l'unité. La forme de découpe en H est pré-entaillée pour faciliter l'ouverture. À l'aide d'un petit couteau, couper au travers des languettes centrales et terminer la découpe en H (figure 78). Tout en coupant, faire attention de ne pas endommager les fils situés derrière le passe-fil.

Figure 78 – Passe-fil en caoutchouc de la goulotte guide-fils verticale



Les bornes de contrôle détachables (figure 79) sont montées sur un rail DIN de 35 mm près des ports de câblage et inclinées vers l'avant de l'unité. Terminer le câblage de contrôle sur place sur la partie amovible du bornier.

Figure 79 – Borniers détachables



Ensemble de câbles avec cosses à sertissage pour une installation avec un sectionneur câblé

⚠ DANGER

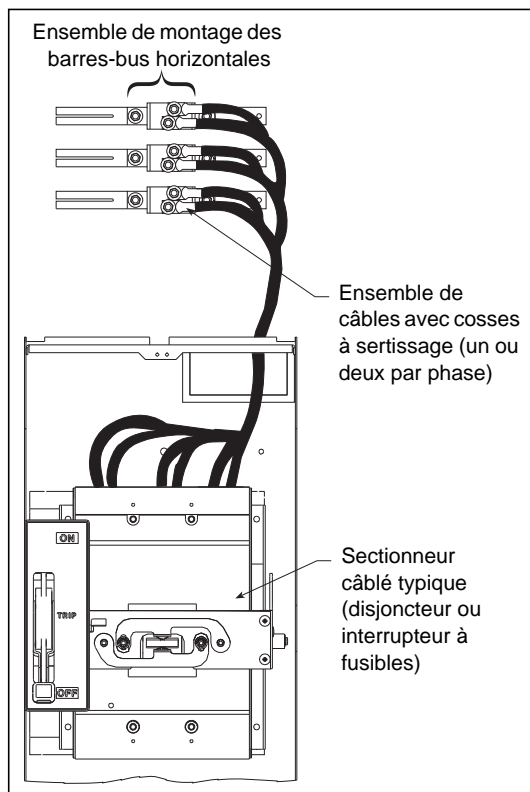
RISQUE D'ÉLECTROCUTION, D'EXPLOSION OU D'ÉCLAIR D'ARC

- Portez un équipement de protection personnelle (ÉPP) approprié et observez les méthodes de travail électrique sécuritaire. Voir NFPA 70E ou CSA Z462.
- Seul un personnel qualifié doit effectuer l'installation et l'entretien de cet appareil.
- Coupez l'alimentation de l'appareil avant d'y travailler.
- Utilisez toujours un dispositif de détection de tension ayant une valeur nominale appropriée pour vous assurer que l'alimentation est coupée.
- Remplacez tous les dispositifs, les portes et les couvercles avant de mettre l'appareil sous tension.

Si ces directives ne sont pas respectées, cela entraînera la mort ou des blessures graves.

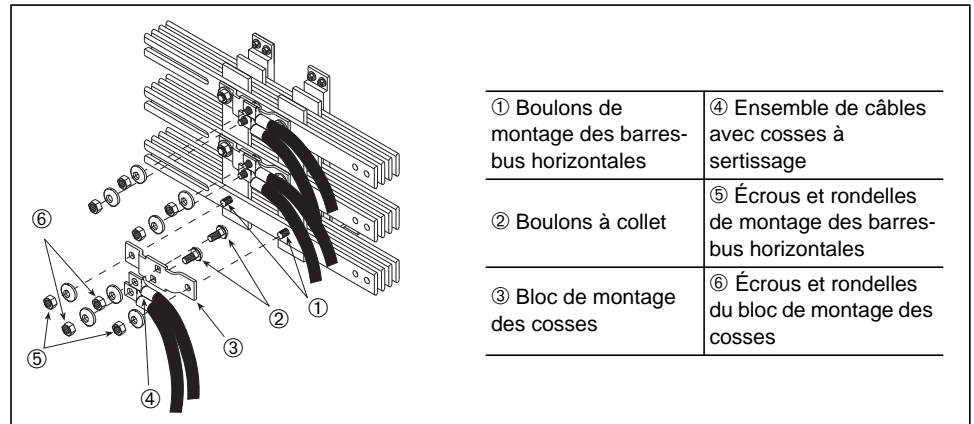
1. Couper toutes les alimentations à cet appareil avant d'y travailler et observer toutes les procédures d'interverrouillage et d'étiquetage. Toujours utiliser un dispositif de détection de tension ayant une valeur nominale appropriée pour vous assurer que l'alimentation est coupée.
2. Accéder aux barres-bus horizontales du centre de commande de moteurs.

Figure 80 – Sectionneur câblé typique



- Retirer les écrous et rondelles de montage (⑤) des barres-bus horizontales de l'assemblage de barres-bus horizontales.

Figure 81 – Assemblage typique des barres-bus horizontales



- Insérer les boulons à collet (②) par l'arrière du bloc de montage des cosses (③).
- À l'aide des écrous et rondelles de montage du point 3, attacher le bloc de montage des cosses aux boulons de montage (①) des barres-bus horizontales.
- Serrer les écrous de montage des barres-bus horizontales au couple de serrage de 93 à 95 N•m (820 à 840 lb-po).
- Acheminer le câble vers le disjoncteur ou sectionneur à fusible; tailler le câble à la longueur requise.
- À l'aide des écrous et rondelles (⑥) du bloc de montage des cosses, attache l'ensemble de câbles avec cosses à sertissage (④) aux boulons à collet sur le bloc de cosses.
- Serrer les écrous du bloc de montage des cosses au couple de serrage de 93 à 95 N•m (820 à 840 lb-po).

Valeurs des couples de serrage pour les connexions par câble

Les tableaux suivants donnent les valeurs du couple de serrage pour le sectionneur principal et les disjoncteurs de dérivation, lesquelles valeurs s'appliquent aux deux types de conducteurs (aluminium et cuivre).

Figure 82 – Couple de serrage des connexions des compartiments des cosses principales



Tableau 4 – Valeurs du couple de serrage pour les connexions des compartiments de cosses principales¹

Taille des douilles au travers des plans plats	Couple de serrage
3/8 po	42,4 N•m (375 lb-po)
1/2 po	55,6 N•m (500 lb-po) pour les compartiments inférieurs de cosses principales de 800-1200 A
	67,8 N•m (600 lb-po) pour tous les autres

¹ Voir la figure 82.

Tableau 5 – Valeurs du couple de serrage pour les disjoncteurs principales et de dérivation

Taille du châssis	Courant nominal	Couple de serrage
B	15–125 A	5,0 N•m (44 lb-po) pour #14 - #8 9,0 N•m (80 lb-po) pour #6 - #3/0
H	15 à 30 A 35 à 150 A	5,6 N•m (50 lb-po) 13,6 N•m (120 lb-po)
J	150 à 250 A	25,4 N•m (225 lb-po)
FA	15 à 30 A 35 à 100 A	3,9 N•m (35 lb-po) 9,0 N•m (80 lb-po)
FC	20 à 30 A 40 à 100 A	4,0 N•m (35 lb-po) 7,3 N•m (65 lb-po)
KA	70 à 250 A	28,2 N•m (250 lb-po)
KC	110 à 250 A	28,2 N•m (250 lb-po)
LA/LH	125 à 400 A	22,6 N•m (200 lb-po)
LC/LI/LE/LX/LXI	300 à 600 A	33,9 N•m (300 lb-po)
LG/LH/LL/LR	300 à 600 A	50 N•m (442 lb-po)
MA/MH/ME/MX	200 à 400 A 450 à 1000 A	33,9 N•m (300 lb-po) 33,9 N•m (300 lb-po)
NT	400 à 1200 A	67,8 N•m (600 lb-po)
NW (entrée par le haut)	400 à 2500 A	67,8 N•m (600 lb-po)
PA/PH/PE/PX	800 à 2000 A	67,8 N•m (600 lb-po)
MJ/MG	300-800 A	50,8 N•m (450 lb-po)
PJ/PK/PG/PL	250-1200 A	50,8 N•m (450 lb-po)
RJ/RK/RG/RL	600-2500 A	56,5 N•m (500 lb-po)

Informations sur les composants

Des manuels sur les composants pour les dispositifs tels que les variateurs de vitesse, les démarreurs à semi-conducteurs à tension réduite et les automates sont inclus avec le paquet de documents concernant le CCM.

Les données de sélection des unités thermiques du relais de surcharge sont indiquées sur la face intérieure de la porte de la goulotte guide-fils verticale de chaque section. Ces informations sont également données dans ce bulletin; voir « Sélection des unités thermiques des relais de surcharge » commençant à la 157. Sélectionner les unités appropriées dans les tableaux de tailles de démarreurs applicables.

Modification des emplacements des porte-fusibles

⚠ DANGER

RISQUE D'ÉLECTROCUTION, D'EXPLOSION OU D'ÉCLAIR D'ARC

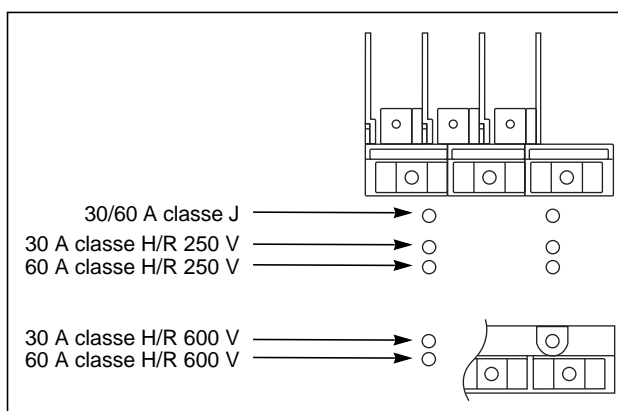
- Portez un équipement de protection personnelle (ÉPP) approprié et observez les méthodes de travail électrique sécuritaire. Voir NFPA 70E ou CSA Z462.
- Seul un personnel qualifié doit effectuer l'installation et l'entretien de cet appareil.
- Ne faites jamais fonctionner l'interrupteur sous tension avec la porte ouverte.
- Mettez l'interrupteur hors tension avant d'enlever ou d'installer des fusibles ou de faire des raccordements sur le côté charge.
- Utilisez toujours un dispositif de détection de tension ayant une valeur nominale appropriée sur tous les porte-fusibles du côté ligne et charge pour s'assurer que l'interrupteur soit hors tension.
- Coupez l'alimentation de l'interrupteur avant d'y faire tout autre travail.
- N'utilisez pas de fusibles renouvelables dans les interrupteurs à fusibles.

Si ces directives ne sont pas respectées, cela entraînera la mort ou des blessures graves.

Installer des embases des porte-fusibles de 30 et 60 A pour la taille et la classe de fusible correctes et la tension maximale dans les unités de démarrage de tailles 1 et 2. La plaque de base du sectionneur comprend cinq jeux de trous de montage à cette fin. L'embase inférieure des porte-fusibles est installée à l'usine dans les trous de montage appropriés (figure 83). Des porte-fusibles et embases supplémentaires peuvent être exigés en cas de changement de classe de fusibles.

Couper toutes les alimentations à cet appareil avant d'y travailler et observer toutes les procédures d'interverrouillage et d'étiquetage. Toujours utiliser un dispositif de détection de tension ayant une valeur nominale appropriée pour vous assurer que l'alimentation est coupée.

Figure 83 – Emplacements des porte-fusibles, tailles 1 et 2



REMARQUE : Pour l'écartement des fusibles de forme II classe C, contacter le représentant local de Schneider Canada.

Section 5–Fonctionnement

Cette section comprend la liste de vérification avant la mise en service et les procédures de mise sous tension.

Liste de vérification avant la mise en service

Pour assurer le bon fonctionnement du CCM, accomplir les vérifications énumérées ci-dessous avant de mettre le CCM sous tension :

- ❑ Exécuter les procédures d'entretien commençant à la page 87 et continuant jusqu'à « Essai d'isolation » à la page 102. Cet entretien initial est nécessaire pour détecter des dommages ou connexions desserrées durant le transport. Ne pas mettre le CCM sous tension tant que l'entretien initial n'est pas terminé.

REMARQUE : Les procédures d'entretien suivantes ne sont pas nécessaires avant la mise sous tension du CCM pour la première fois : blocs des pinces d'alimentation, contacts des démarreurs et écrans/isolateurs.

- ❑ Effectuer un essai d'isolation sur le CCM (voir « Essai d'isolation » à la page 102).
- ❑ Si le CCM est muni d'une protection contre les défauts de m.à.l.t., régler correctement et essayer le dispositif de protection contre les défauts de m.à.l.t. avant de mettre sous tension.

Figure 84 – Vérification avant la mise en service



- ❑ Retirer tous les blocs ou autres moyens temporaires de maintien des dispositifs électriques.
- ❑ Retirer tous les cavaliers des secondaires des transformateurs de courant. Ne pas utiliser un transformateur de courant dont le secondaire est ouvert.
- ❑ Manœuvrer manuellement tous les interrupteurs, disjoncteurs et autres mécanismes de fonctionnement afin de s'assurer qu'ils sont alignés correctement et qu'ils fonctionnent librement.
- ❑ Manœuvrer électriquement (mais non sous charge) tous les interrupteurs, disjoncteurs et autres mécanismes à fonctionnement électrique afin de s'assurer que ces dispositifs fonctionnent correctement. Une source auxiliaire d'alimentation de contrôle peut être nécessaire.
- ❑ Vérifier la temporisation correcte et le bon fonctionnement des contacts des temporisateurs.

- ❑ Vérifier que les unités thermiques du relais de surcharge appropriées sont installées en comparant les tableaux de sélection des unités thermiques du relais de surcharge au courant de pleine charge du moteur. Les relais de surcharge Motor Logic, TeSys^{MC} T et IEC (si fournis) n'exigent pas d'unités thermiques, mais sont réglés à l'usine au réglage le plus bas.
- ❑ S'assurer que toutes les connexions de charge et de contrôle à distance ont été effectuées et si elles sont conformes aux schémas de câblage fournis.
- ❑ Vérifier si toutes les connexions à la terre sont faites correctement.
- ❑ Installer les couvercles et fermer les portes; s'assurer que toutes les fixations sont bien serrées; vérifier si tous les interverrouillages des mécanismes fonctionnent.

Pour les applications avec classification de confinement d'arc :

- ❑ Vérifier si les cornières de levage ont été retirées de toutes les sections de l'alignement.
- ❑ Vérifier si le bon assemblage de plaque supérieure a été installé selon les directives fournies.
- ❑ Vérifier si les réglages du dispositif de protection contre les surintensités (OCPD) répondent aux exigences précisées dans ce document avant de mettre sous tension.
- ❑ Vérifier si les dégagements requis des obstructions ci-dessus et autour de l'appareil ont été respectés conformément aux exigences précisées dans ce document.

Pour les dispositifs ArcBlok principaux :

- ❑ Vérifier que tous les câbles d'alimentation entrants ont été correctement installés et sécurisés :
 - Le liage des câbles est effectué conformément aux instructions commençant à la page 68.
 - L'amortisseur et les deux ressorts sont installés sur le panneau arrière du compartiment de câbles et fonctionnent correctement.
 - Les plaques de fermeture sont installées avec le conduit.
 - L'espace entre les conducteurs et le conduit est étanchéisé avec du mastic spécial conduits.
- ❑ Vérifier que tous les couvercles ArcBlok et couvercles de compartiment de câbles ont été correctement et solidement remis en place.

Mise sous tension des CCM

⚠ DANGER

RISQUE D'ÉLECTROCUTION, D'EXPLOSION OU D'ÉCLAIR D'ARC

- Portez un équipement de protection personnelle (ÉPP) approprié et observez les méthodes de travail électrique sécuritaire. Voir NFPA 70E ou CSA Z462.
- Seul un personnel qualifié doit effectuer l'installation et l'entretien de cet appareil.
- Coupez l'alimentation de l'appareil avant d'y travailler.
- Utilisez toujours un dispositif de détection de tension ayant une valeur nominale appropriée pour vous assurer que l'alimentation est coupée.
- Remplacez tous les dispositifs, les portes et les couvercles avant de mettre l'appareil sous tension.
- Revoyez la « Liste de vérification avant la mise en service » à la page 84, en vous assurant que toutes les rubriques ont été vérifiées.

Si ces directives ne sont pas respectées, cela entraînera la mort ou des blessures graves.

Pour mettre le MCC sous tension :

Revoir la « Liste de vérification avant la mise en service » à la page 84 avant de mettre sous tension.

Désactiver toutes les charges en aval, notamment le matériel de distribution et les autres dispositifs distants du CCM.

1. S'assurer que tous les écrans isolants, toutes les portes et tous les couvercles sont fermés avant de mettre l'appareil sous tension.

Mettre l'appareil sous tension en séquence, en commençant par les dispositifs principaux, puis les dispositifs d'alimentation et enfin les dispositifs de démarrage de moteur.

Tous les écrans isolants étant en place et les portes des unités fermées et verrouillées, activer les dispositifs d'un mouvement ferme et positif.

2. Après avoir fermé tous les dispositifs sectionneurs, les charges telles que les circuits d'éclairage, démarreurs, contacteurs, appareils de chauffage et moteurs peuvent être activées.

Section 6—Entretien des CCM

Avant de mettre un nouveau dispositif de CCM sous tension, effectuer l'entretien décrit dans cette section. Effectuer un entretien régulier au moins chaque année, ou plus souvent si indiqué par les conditions de service et la politique d'entretien établie par vos soins. Effectuer également un entretien après toute interruption de service, défaut électrique ou évènement inhabituel.

Examen de l'armoire

Examiner l'intérieur et l'extérieur des CCM afin d'y détecter toute trace éventuelle d'humidité, d'huile ou d'autre corps étranger. Éliminer tout corps étranger et nettoyer les CCM.

Nettoyer l'intérieur et l'extérieur des CCM avec un aspirateur. Ne pas employer d'air comprimé; cela répartirait les polluants sur d'autres surfaces. Vérifier si l'armoire n'a pas subi des dommages qui pourraient réduire les distances d'isolement électrique.

Examiner le fini de l'armoire. Retoucher la peinture si nécessaire. Remplacer toutes pièces de l'armoire sévèrement corrodées ou endommagées.

Entretien des compartiments des barres-bus et de la ligne d'arrivée

⚠ DANGER

RISQUE D'ÉLECTROCUTION, D'EXPLOSION OU D'ÉCLAIR D'ARC

- Portez un équipement de protection personnelle (ÉPP) approprié et observez les méthodes de travail électrique sécuritaire. Voir NFPA 70E ou CSA Z462.
- Seul un personnel qualifié doit effectuer l'installation et l'entretien de cet appareil.
- Coupez l'alimentation de l'appareil avant d'y travailler.
- Utilisez toujours un dispositif de détection de tension ayant une valeur nominale appropriée pour vous assurer que l'alimentation est coupée.
- Remplacez tous les dispositifs, les portes et les couvercles avant de mettre l'appareil sous tension.

Si ces directives ne sont pas respectées, cela entraînera la mort ou des blessures graves.

REMARQUE : Si un testeur d'absence de tension (TAT) VeriSafe^{MC} de 3 po est utilisé pour confirmer que l'alimentation est coupée, se reporter au graphique d'une ligne pour le CCM afin de déterminer quelles pièces du système de barres-bus du CCM le AVT surveille. Le côté ligne du disjoncteur de l'alimentation principale pour l'alignement du CCM ou d'autres parties du système de barres-bus du CCM pourraient être encore sous tension.

AVIS

RISQUE DE DOMMAGES MATÉRIELS

- Ne brossez ou n'utilisez jamais de papier de verre sur les barres-bus; cela enlèverait le plaquage et entraînerait de l'oxydation. Employez un fluide nettoyant approuvé pour une telle utilisation. N'employez pas de fluide nettoyant sur les isolateurs.
- N'essayez en aucune façon de nettoyer des barres-bus ou connecteurs endommagés. Remplacez-les par des pièces neuves.

Si ces directives ne sont pas respectées, cela peut entraîner des dommages matériels.

Effectuer un entretien des raccordements des barres-bus et des cosses de la ligne d'arrivée au moins chaque année, ou plus souvent si indiqué par les conditions de service et la politique d'entretien établie par vos soins. Suivre les points ci-dessous au moment de l'installation afin de localiser et serrer tous raccordements ayant pu se desserrer ou se défaire pendant le transport ou la manutention :

1. Couper toutes les alimentations à cet appareil avant d'y travailler et observer toutes les procédures d'interverrouillage et d'étiquetage. Toujours utiliser un dispositif de détection de tension ayant une valeur nominale appropriée pour vous assurer que l'alimentation est coupée.
2. Retirer les couvercles des goulottes guide-fils horizontales supérieures et inférieures de chaque section.
3. Exposer les barres-bus et leurs raccordements en retirant l'écran isolant en deux pièces des barres-bus de chaque section.
4. Examiner toutes les barres-bus et tous les connecteurs. Remplacer toutes pièces sévèrement décolorées, corrodées ou piquées. Remplacer également les pièces exposées à des températures excessives.
5. Vérifier si tous les boulons aux points de raccordement des barres-bus indiqués par un hexagone dans la figure 85 à la page 89 sont en place et correctement serrés. Bien qu'un seul type spécifique de compartiment ou de barres-bus soit représenté dans la figure 85, effectuer cet entretien sur tous les raccordements boulonnés. Voir le tableau 6 à la page 90 pour obtenir les couples de serrage.
6. Le compartiment de câbles gênera l'accès aux raccordements côté charge pour les sections principales ArcBlok à acheminement par le haut. C'est pourquoi un panneau d'accès dans le compartiment de câbles permet l'accès aux raccordements de barre-bus pour la phase B. Les raccordements de barre-bus pour les phases A et C sont situées sur les bords extérieurs du compartiment de câbles. (Voir figure 86 à la page 89.)

Figure 85 – Points typiques de raccordement des barres-bus

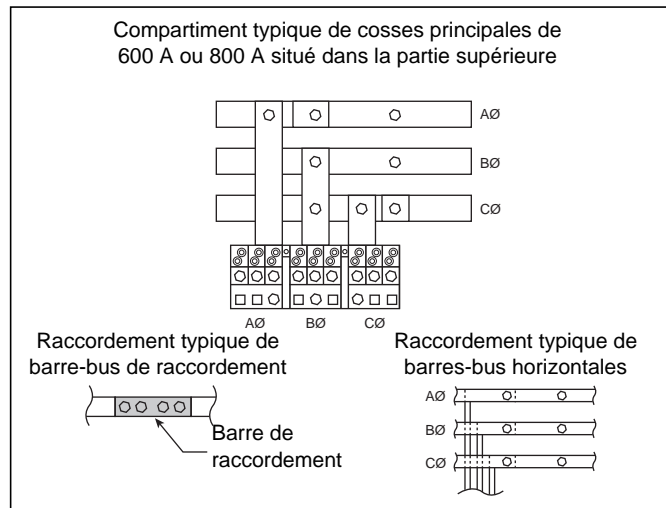


Figure 86 – Points de raccordement de barre-bus types – Accès aux sections principales ArcBlok à acheminement par le haut

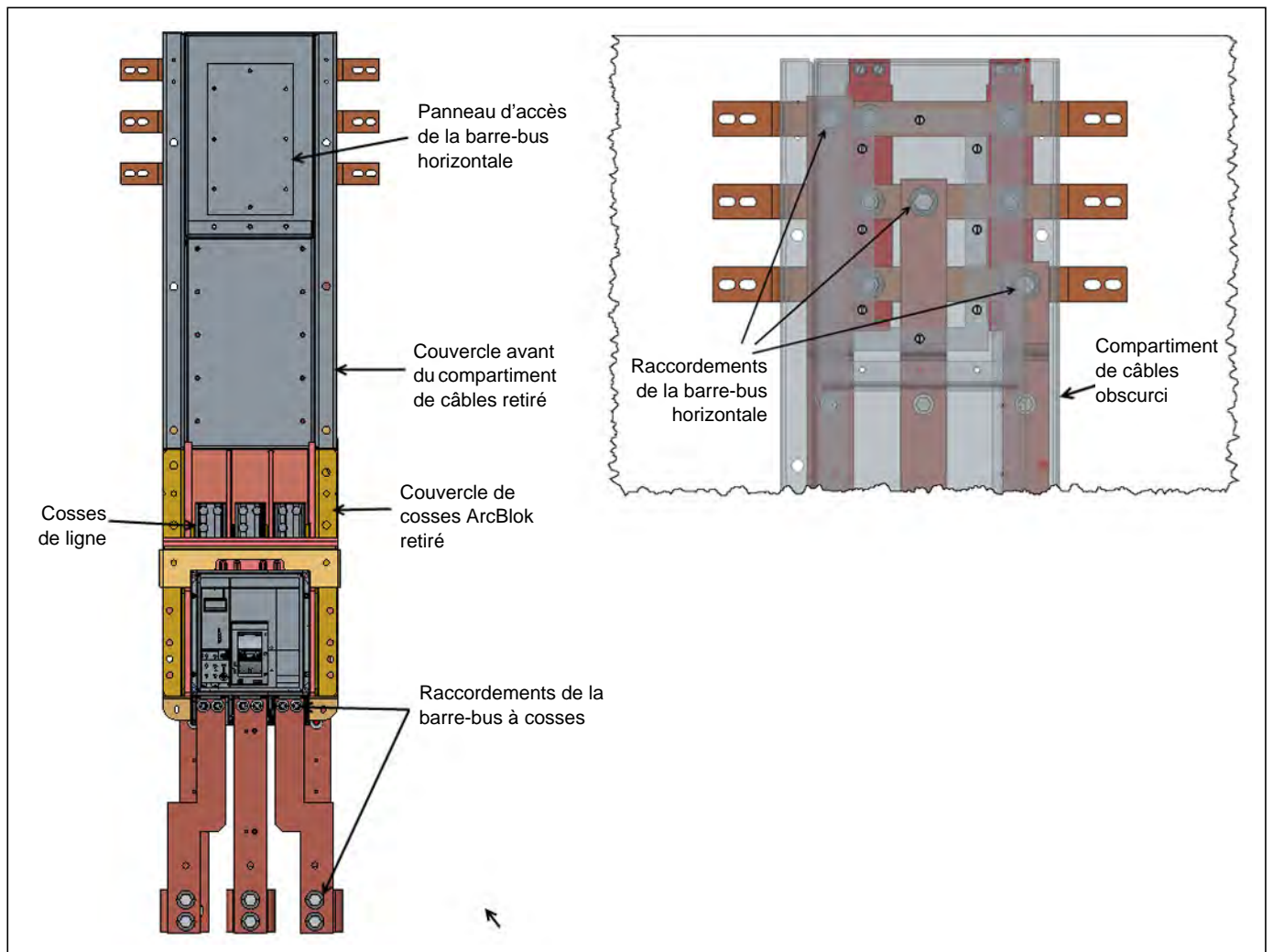


Figure 87 – Couple de serrage des connexions des compartiments des cosses principales



Tableau 6 – Valeurs du couple de serrage des raccords des barres-bus

Emplacement des raccords boulonnés	Gamme des couples de serrage
Barres-bus horizontales (tous emplacements)	92,2 à 94,9 N•m (68 à 70 lb-pi)
Barre-bus de m.à.l.t. horizontale (tous emplacements)	6,8 à 8,13 N•m (5 à 6 lb-pi)
Barres de raccordement – boulons d'un diamètre de 0,375 po (9,5 mm)	42 à 43,39 N•m (31 à 32 lb-pi)
Barres de raccordement – boulons d'un diamètre de 0,5 po (12,7 mm)	92,2 à 94,9 N•m (68 à 70 lb-pi)

- Vérifier si toutes les vis d'arrêt des cosses principales, des disjoncteurs ou des interrupteurs à fusibles maintenant des conducteurs d'arrivée dans les cosses principales (figure 87) sont en place et correctement serrées. Utiliser une clé dynamométrique et une douille à six pans de 3/8 po pour serrer les vis d'arrêt des cosses à la valeur de couple de serrage appropriée (voir « Valeurs des couples de serrage pour les connexions par câble » à la page 82).
- Inspecter tous isolateurs, entretoises et écrans isolants; remplacer ceux qui montrent des signes de dommages d'arc, de cheminement, de surchauffe ou de fissures.

Entretien des unités de contrôle

⚠ DANGER

RISQUE D'ÉLECTROCUTION, D'EXPLOSION OU D'ÉCLAIR D'ARC

- Portez un équipement de protection personnelle (ÉPP) approprié et observez les méthodes de travail électrique sécuritaire. Voir NFPA 70E ou CSA Z462.
- Seul un personnel qualifié doit effectuer l'installation et l'entretien de cet appareil.
- Coupez l'alimentation de l'appareil avant d'y travailler.
- Utilisez toujours un dispositif de détection de tension ayant une valeur nominale appropriée pour vous assurer que l'alimentation est coupée.
- Remplacez tous les dispositifs, les portes et les couvercles avant de mettre l'appareil sous tension.

Si ces directives ne sont pas respectées, cela entraînera la mort ou des blessures graves.

REMARQUE : Si un testeur d'absence de tension (TAT) VeriSafe^{MC} de 3 po est utilisé pour confirmer que l'alimentation est coupée, se reporter au graphique d'une ligne pour le CCM afin de déterminer quelles pièces du système de barres-bus du CCM le AVT surveille. Le côté ligne du disjoncteur de l'alimentation principale pour l'alignement du CCM ou d'autres parties du système de barres-bus du CCM pourraient être encore sous tension.

Effectuer l'entretien des unités de contrôle au moins chaque année, ou plus souvent si indiqué par les conditions de service et la politique d'entretien établie par vos soins. Pendant l'installation, localiser et serrer toutes les connexions ayant pu se desserrer ou se défaire pendant le transport ou la manutention, en utilisant les procédures ci-après. Si l'unité de contrôle (figure 88) est retirée du CCM pour un entretien, commencer avec « Retrait de l'unité de contrôle » à la page 91. Si

l'entretien est effectué avec l'unité de contrôle installée, commencer avec « Disjoncteur ou sectionneur » à la page 98.

Figure 88 – Unité de contrôle



Retrait de l'unité de contrôle

⚠ DANGER

RISQUE D'ÉLECTROCUTION, D'EXPLOSION OU D'ÉCLAIR D'ARC

- Portez un équipement de protection personnelle (ÉPP) approprié et observez les méthodes de travail électrique sécuritaire. Voir NFPA 70E ou CSA Z462.
- Seul un personnel qualifié doit effectuer l'installation et l'entretien de cet appareil.
- Coupez l'alimentation de l'appareil avant d'y travailler.
- Utilisez toujours un dispositif de détection de tension ayant une valeur nominale appropriée pour vous assurer que l'alimentation est coupée.
- N'essayez pas de retirer l'unité de la structure avec le sectionneur sur la position de *marche (I)*.
- L'unité de contrôle est interverrouillée avec la structure du CCM afin d'empêcher le retrait de l'unité alors que le sectionneur est sur la position de *marche (I)*. N'essayez pas de forcer l'interverrouillage entre le mécanisme et la structure.
- Remplacez tous les dispositifs, les portes et les couvercles avant de mettre l'appareil sous tension.

Si ces directives ne sont pas respectées, cela entraînera la mort ou des blessures graves.

Le CCM Modèle 6 est conçu pour un retrait et remplacement commode et rapide des unités de contrôle. Procéder comme suit pour retirer les unités :

1. Couper toutes les alimentations à cet appareil avant d'y travailler et observer toutes les procédures d'interverrouillage et d'étiquetage. Toujours utiliser un dispositif de détection de tension ayant une valeur nominale appropriée pour vous assurer que l'alimentation est coupée.

REMARQUE : Si un testeur d'absence de tension (TAT) VeriSafe^{MC} de 3 po est utilisé pour confirmer que l'alimentation est coupée, se reporter au graphique d'une ligne pour le CCM afin de déterminer quelles pièces du système de barres-bus du CCM le AVT surveille. Le côté ligne du

disjoncteur de l'alimentation principale pour l'alignement du CCM ou d'autres parties du système de barres-bus du CCM pourraient être encore sous tension.

- Placer le mécanisme de fonctionnement sur la position d'arrêt (O) (figure 89).

Figure 89 – Mécanisme de fonctionnement en position d'arrêt (O)

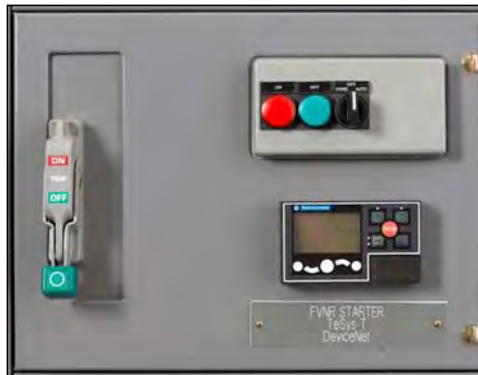


Figure 90 – Desserrage des fermetures imperdables



- Desserrer les fermetures imperdables (figure 90) de la porte et ouvrir cette dernière. Utiliser un voltmètre de valeur nominale appropriée pour vérifier si les circuits sont sous tension. Désactiver toutes sources de tension.

REMARQUE : Les unités avec classification de confinement d'arc sont munies de fixations supplémentaires au milieu au haut et au bas de la porte, qu'il faut desserrer pour ouvrir la porte (voir la figure 91).

Figure 91 – Verrous de portes de CCM avec classification de confinement d'arc



- Libérer le dispositif de blocage situé à l'avant et au bas de l'unité (si fourni) en tournant la vis sur la face avant du dispositif jusqu'à ce que le cliquet de blocage soit parallèle à la partie inférieure de l'unité (figure 92).

Figure 92 – Libération du dispositif de blocage (quand il est fourni)



- Déconnecter le câblage d'alimentation des bornes des démarreurs ou, le cas échéant, des borniers d'alimentation. Étiqueter les terminaisons en vue de leur réinstallation (figure 93).

Retirer la partie supérieure des borniers de contrôle détachables auxquels le câblage sur place est raccordé.

Figure 93 – Borniers déconnectés

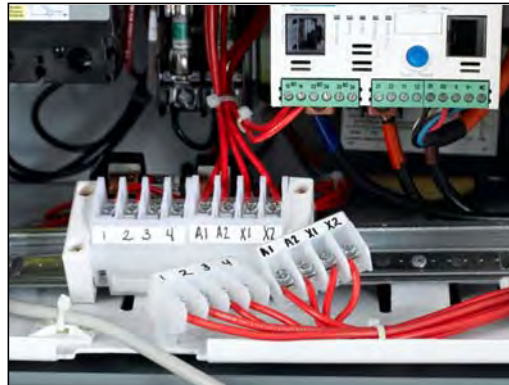


Figure 94 – Conducteurs d'alimentation et dessus des borniers passés par le port de câblage



- Pousser les conducteurs d'alimentation et la partie supérieure des borniers détachables à travers le port de câblage et dans la goulotte guide-fils verticale (figure 94).
- Tirer vers l'avant sur le mécanisme de cames avec manettes jumelées situé au haut de la face avant de l'unité afin de dégager partiellement l'unité hors de la structure (figure 95). Cette action déconnecte les pinces d'alimentation des barres-bus verticales. Continuer à tirer vers l'avant jusqu'à ce que les manettes soit complètement étendues.

Figure 95 – Tirage en avant des manettes jumelées du mécanisme de cames



Figure 96 – Manœuvre de l'interverrouillage entre le mécanisme et la structure



8. L'interverrouillage entre le mécanisme et la structure empêche le retrait ou l'insertion de l'unité de contrôle avec la manette sur la position de *marche* (I) (figure 96).
9. Si l'unité retirée est laissée dans la structure, utiliser les procédures de verrouillage appropriées pour éviter sa réinsertion par un personnel non autorisée (figure 97).

Figure 97 – Dispositif verrouillé



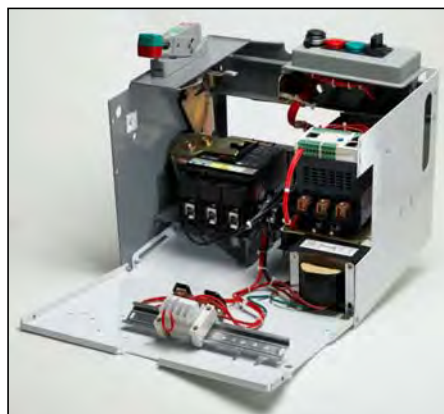
Figure 98 – Unité de contrôle retirée



10. Retirer l'unité de contrôle de la structure pour une maintenance (figure 98). Dans les unités munies d'une plaque de fond complète, une accessibilité supplémentaire aux composants et au câblage peut être obtenue en pivotant la plaque de fond. Pour ce faire, coucher l'unité sur le dos, retirer les deux vis de la face avant et faire pivoter la plaque de fond vers le bas (figure 99).

REMARQUE : Le levage des unités enfichables d'une hauteur de plus de 610 mm (24 po) nécessite deux ou plusieurs personnes prenant des précautions spéciales de manutention. Si des dispositifs de levage sont utilisés, voir la figure 12 à la page 29 pour les points de levage appropriés. La figure 12 à la page 29 montre également un point de levage qui n'est PAS recommandé pour le levage d'unités de grande taille.

Figure 99 – Unité de contrôle avec la plaque de fond pivotée



11. Si nécessaire, la porte peut être sortie de ses charnières sans retirer l'unité. Pour ce faire, chasser les broches des charnières de leur logement à l'aide d'un petit tournevis plat ou d'un petit poinçon (figure 100). Retirer la broche de

la charnière inférieure en premier.

Comme autre solution pour retirer les broches de charnières, les vis de montage des charnières peuvent être enlevées de la structure par les trous d'accès fournis.

Figure 100 –Chasse de la broche de charnière



12. Lors de la réinstallation de la broche de la charnière, prendre soin que l'extrémité recourbée soit totalement engagée dans le logement de la lame.

Retrait des unités de contrôle Compac^{MC} 6

⚠ DANGER

RISQUE D'ÉLECTROCUTION, D'EXPLOSION OU D'ÉCLAIR D'ARC

- Portez un équipement de protection personnelle (ÉPP) approprié et observez les méthodes de travail électrique sécuritaire. Voir NFPA 70E ou CSA Z462.
- Seul un personnel qualifié doit effectuer l'installation et l'entretien de cet appareil.
- Coupez l'alimentation de l'appareil avant d'y travailler.
- Utilisez toujours un dispositif de détection de tension ayant une valeur nominale appropriée pour vous assurer que l'alimentation est coupée.
- Remplacez tous les dispositifs, les portes et les couvercles avant de mettre l'appareil sous tension.

Si ces directives ne sont pas respectées, cela entraînera la mort ou des blessures graves.

1. Couper toutes les alimentations à cet appareil avant d'y travailler et observer toutes les procédures d'interverrouillage et d'étiquetage. Toujours utiliser un dispositif de détection de tension ayant une valeur nominale appropriée pour vous assurer que l'alimentation est coupée.
2. Placer le mécanisme de fonctionnement sur la position d'arrêt (O) (figure 101).

Figure 101 –Manette de fonctionnement sur la position d'arrêt

3. Desserrer les fermetures imperdables (figure 102) de la porte et ouvrir cette dernière.

REMARQUE : Les unités avec classification de confinement d'arc sont munies de fixations supplémentaires au milieu au haut et au bas de la porte, qu'il faut desserrer pour ouvrir la porte (voir la figure 91 à la page 92).

Figure 102 –Desserrage des fermetures imperdables

4. Vérifier si des circuits sont sous tension à l'aide d'un dispositif de détection de tension ayant une valeur nominale appropriée. Désactiver toutes sources de tension.

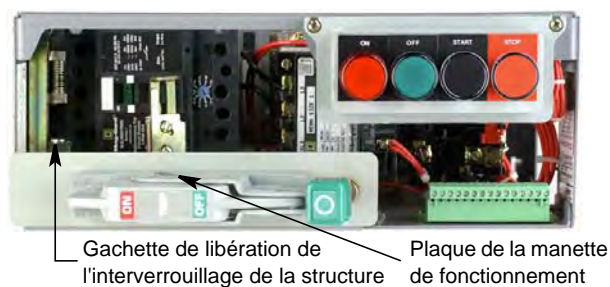
REMARQUE : Le retrait de la plaque du poste de contrôle peut être nécessaire pour accomplir les points 4 et 5. Pour retirer la plaque du poste de contrôle, procéder comme suit :

- a. Desserrer les vis de montage imperdables qui maintiennent la plaque sur la face avant de l'unité.
- b. Retirer la plaque de l'unité (figure 103).
- c. Remonter la plaque après avoir déconnecté les fils de charge et le bornier de contrôle.

REMARQUE : Ne pas déconnecter les fils de la plaque du poste de contrôle.

Figure 103 –Plaque du poste de contrôle retirée

5. Déconnecter le câblage d'alimentation des bornes des démarreurs. Étiqueter les terminaisons en vue de la réinstallation.
6. Retirer la partie supérieure du bornier de contrôle détachable auquel le câblage sur place est raccordé.
7. Pousser les conducteurs d'alimentation et la partie supérieure du bornier de contrôle détachable à travers le port de câblage et dans la goulotte guide-fils verticale.
8. Saisir la plaque de la manette de fonctionnement et faire pression vers le bas sur la gachette de libération de l'interverrouillage de la structure (figure 104).

Figure 104 –Manette de fonctionnement et gachette de libération de l'interverrouillage

9. Tirer fermement l'unité vers l'avant pour dégager les pinces d'alimentation des barres-bus verticales. L'unité doit maintenant glisser librement pour se séparer de la structure du CCM.
10. L'interverrouillage entre le mécanisme de fonctionnement et la structure empêche l'insertion ou le retrait de l'unité de contrôle avec la manette sur la position de marche (I).
11. Si l'unité retirée est laissée dans la structure, utiliser les procédures de verrouillage/étiquetage appropriées pour éviter sa réinsertion par un personnel non autorisé.
12. Retirer l'unité de contrôle de la structure et la placer sur une surface plane pour sa maintenance.

REMARQUE : Un démontage partiel de l'unité peut être nécessaire pour avoir accès aux diverses connexions électriques pour effectuer leur entretien.

Essais et entretien effectués avec l'unité de contrôle retirée

AVIS

RISQUE DE DOMMAGES MATÉRIELS

- Ne retirez pas le lubrifiant de protection des pinces d'alimentation.
- Si du lubrifiant supplémentaire est nécessaire, commander le composé pour joints électriques (n° PJC-7201 du Schneider Electric).

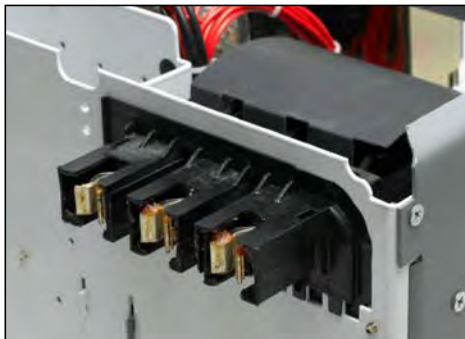
Si cette directive n'est pas respectée, cela peut entraîner des dommages matériels.

Une fois l'unité de contrôle retirée, effectuer les essais et l'entretien suivants :

Blocs de pinces d'alimentation—Inspecter les blocs de pinces d'alimentation (figure 105 à la page 98) pour des signes d'arc ou de surchauffe. **Remplacer immédiatement l'assemblage du sectionneur (disjoncteurs types FA/KA) ou l'assemblage du connecteur à mâchoire (disjoncteurs à châssis B, H, J ou L) si une surchauffe s'est produite.** Pour le remplacement des assemblages de sectionneurs, voir "Section 13—Remplacement de disjoncteurs et interrupteurs à fusibles" commençant à la page 163.

REMARQUE : Si le bloc des pinces d'alimentation est sévèrement piqué, les barres-bus verticales peuvent avoir également besoin d'être remplacées.

Figure 105 –Bloc de pinces d'alimentation



Disjoncteur ou sectionneur—Vérifier le bon fonctionnement du disjoncteur ou du sectionneur. Inspecter les lames du sectionneur; si une évidence d'arc ou une surchauffe est présente, remplacer l'assemblage du sectionneur. Manœuvrer la fonction pousser-pour-déclencher sur les disjoncteurs.

Figure 106 –Mécanisme de fonctionnement en position déclenchée



Mécanisme de fonctionnement—Vérifier le bon fonctionnement du mécanisme de fonctionnement (figure 106). Essayer les positions *de marche*, *d'arrêt*, *de déclenchement* et *de réarmement* (disjoncteurs à châssis F, K, et L) ou les positions *de marche*, *d'arrêt* et *de réarmement* (disjoncteurs à châssis B, H, J, M, ou P). Vérifier le bon fonctionnement de l'interverrouillage de porte.

REMARQUE : Les mécanismes de fonctionnement de l'interrupteur à fusibles ne possèdent pas de positions de « déclenchement » ni de « réarmement ».

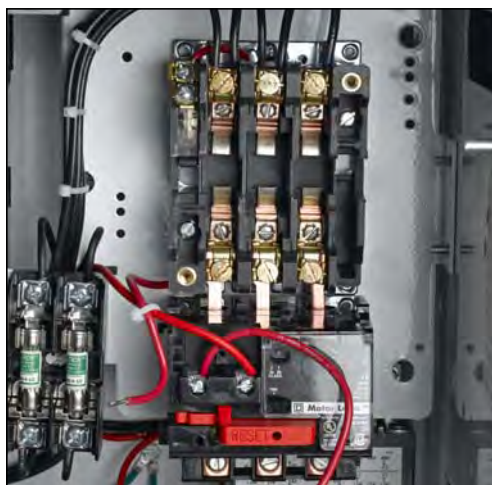
Fusibles—Inspecter tous les fusibles et porte-fusibles (figure 107). Remplacer toutes pièces montrant des signes de surchauffe ou d'arc.

Figure 107 –Inspection des fusibles



Contacts des démarreurs—Vérifier les contacts des démarreurs (figure 108). Remplacer tout contact sévèrement utilisé ou piqué. (Voir les directives d'utilisation des contacteurs comprises avec l'expédition initiale.)

Figure 108 –Contacts des démarreurs



Dispositifs de contrôle—Vérifier le bon fonctionnement des démarreurs, relais, temporisateurs et autres dispositifs de contrôle (figure 109).

Figure 109 –Dispositifs de contrôle



Relais de surcharge—Déclencher manuellement le relais de surcharge pour s'assurer de son bon fonctionnement (figure 110). Vérifier si l'unité thermique est de la bonne taille pour l'application. Se reporter aux tableaux de sélection des unités thermiques sur la face intérieure des portes des goulottes guide-fils verticales.

Figure 110 –Déclenchement du relais de surcharge



Câblage et raccordements électriques—Vérifier si tous les raccordements électriques sont corrects; les serrer si nécessaire (figure 111). Pour tous raccordements électriques inaccessibles, s'adresser aux services Schneider Electric. Inspecter également tout le câblage d'alimentation et de contrôle, en remplaçant tout fil dont l'isolation est usée ou montre des signes de surchauffe ou de fissure.

Figure 111 –Serrage des raccordements électriques



Interverrouillages de démarreurs—Vérifier les interverrouillages mécaniques sur les démarreurs inversibles, à vitesses multiples ou à tension réduite.

Écrans isolants/isolateurs—Inspecter tous les isolateurs, entretoises et écrans isolants (figure 112); remplacer tout élément qui montre des signes de dommages d'arc, de cheminement, de surchauffe ou de fissure.

Figure 112 –Volets manuels et automatiques des barres-bus



Volet manuel des barres-bus



Volet automatique des barres-bus

Unités spéciales—Suivre les procédures d'entretien recommandées par le fabricant pour les unités spéciales (par exemple : variateurs, démarreurs progressifs et interrupteurs automatiques de transfert).

Remontage

Pour remonter le CCM après des essais et de l'entretien, procéder comme suit :

1. Réinstaller les unités Compac 6 en inversant les points de retrait 1 à 12 à « Retrait des unités de contrôle CompacMC 6 » à la page 95. Réinstaller toutes les autres unités en inversant les points de retrait 1 à 12 à « Retrait de l'unité de contrôle » à la page 91.
2. S'assurer que le mécanisme des cames est en position ouverte; positionner les glissières de montage de l'unité de contrôle sur les fentes de la tablette médiane. Faire glisser l'unité vers l'intérieur pour engager le mécanisme des cames.

Pour les unités Compac 6, positionner les glissières de montage de l'unité de contrôle sur les fentes de la tablette médiane. Faire glisser l'unité vers l'intérieur jusqu'à ce qu'elle soit à moitié engagée, puis la pousser vers l'intérieur d'un mouvement rapide. Ce mouvement surmonte facilement la compression des lames de fixation alors qu'elles s'engagent dans la barre-bus verticale.

3. Remettre en place les écrans isolants et couvercles, et fermer et verrouiller toutes les portes.

Essai d'isolation

⚠ DANGER

RISQUE D'ÉLECTROCUTION, D'EXPLOSION OU D'ÉCLAIR D'ARC

- Portez un équipement de protection personnelle (ÉPP) approprié et observez les méthodes de travail électrique sécuritaire. Voir NFPA 70E ou CSA Z462.
- Seul un personnel qualifié doit effectuer l'installation et l'entretien de cet appareil.
- Coupez l'alimentation de l'appareil avant d'y travailler.
- Utilisez toujours un dispositif de détection de tension ayant une valeur nominale appropriée pour vous assurer que l'alimentation est coupée.
- Remplacez tous les dispositifs, les portes et les couvercles avant de mettre l'appareil sous tension.

Si ces directives ne sont pas respectées, cela entraînera la mort ou des blessures graves.

AVIS

RISQUE DE DOMMAGES MATÉRIELS

- N'utilisez pas de mégohmmètre sur :
 - variateurs de vitesse
 - démarreurs progressifs transistorisés
 - dispositif de protection contre les surtensions transitoires (SPD)
 - unités de filtrage harmonique actif AccuSine^{MC}
 - dispositifs transistorisés PowerLogicTM
 - unités de condensateurs
 - tous dispositifs non conçus pour supporter la tension du mégohmmètre.
- Déconnecter tous les dispositifs transistorisés tels que les variateurs de vitesse, SPD, démarreurs progressifs, condensateurs, filtres et moniteurs de circuits avant d'effectuer des essais avec un mégohmmètre sur le CCM.

Si ces directives ne sont pas respectées, cela peut entraîner des dommages matériels.

Avant de remettre un CCM sous tension (après son installation ou son entretien régulier), prendre des mesures de résistance. Utiliser un contrôleur d'isolation (mégohmmètre) ayant un potentiel de 500 à 1 000 V.

Prendre les relevés entre chaque phase et de chaque phase à la terre, avec les sectionneurs de dérivation en position *d'arrêt (O)* et en position de *marche (I)*. S'assurer que le sectionneur principal est en position *d'arrêt (O)* pendant tous les essais d'isolation.

Les relevés d'un mégohmmètre avec tous les sectionneurs en position *d'arrêt (O)* seront typiquement de 5 à 20 mégohms. Sur un nouvel appareil qui a été entreposé dans un endroit humide, des relevés plus bas peuvent survenir pendant la mise en service. Si les relevés sont inférieurs à un mégohm, quelques unités de dérivation peuvent être mises sous tension pour aider à sécher le CCM. Si des relevés supplémentaires sont supérieurs à un mégohm, des unités supplémentaires peuvent être mises sous tension. Après un fonctionnement du matériel pendant 48 heures, les relevés devraient être dans la gamme de 5 à 20 mégohms.

Lorsque les relevés du mégohmmètre sont pris avec les sectionneurs en position de *marche (I)* (sauf pour le sectionneur principal), déconnecter tous les dispositifs qui complètent les circuits entre les phases ou entre les phases et le neutre (*par ex.*, les transformateurs de contrôle). Bien que les relevés puissent être légèrement différents, observer la limite inférieure de un mégohm durant la mise en service.

Noter tous les relevés du mégohmmètre sur le tableau de résistance de l'isolation à la page 156. Tout changement soudain des valeurs de résistance (même dans la gamme acceptable) peut indiquer une défaillance possible de l'isolation. Une détection précoce et un remplacement de composants d'isolation défectueux contribuent à éviter des dommages matériels.

Si les relevés du mégohmmètre sont inférieurs à 5 mégohms (un mégohm pendant la mise en service), consulter votre représentant des ventes Schneider Electric.

Remettre l'appareil sous tension en séquence, en commençant par les dispositifs principaux, les dispositifs de dérivation ensuite, et enfin les dispositifs des démarreurs de moteurs. (Voir la « Liste de vérification avant la mise en service » à la page 84).

Entretien après qu'un défaut est survenu

⚠ DANGER

RISQUE D'ÉLECTROCUTION, D'EXPLOSION OU D'ÉCLAIR D'ARC

- Portez un équipement de protection personnelle (ÉPP) approprié et observez les méthodes de travail électrique sécuritaire. Voir NFPA 70E ou CSA Z462.
- Seul un personnel qualifié doit effectuer l'installation et l'entretien de cet appareil.
- Coupez l'alimentation de l'appareil avant d'y travailler.
- Utilisez toujours un dispositif de détection de tension ayant une valeur nominale appropriée pour vous assurer que l'alimentation est coupée.
- Remplacez tous les dispositifs, les portes et les couvercles avant de mettre l'appareil sous tension.

Si ces directives ne sont pas respectées, cela entraînera la mort ou des blessures graves.

REMARQUE : Lorsqu'un défaut s'est produit, les CCM avec classification de confinement d'arc doivent être inspectés, réparés et qualifiés à nouveau par le personnel des services Schneider Electric pour maintenir la classification de confinement d'arc.

Les courants excessifs se produisant pendant un défaut peuvent entraîner des dommages de structure, de composants, de barres-bus ou de conducteurs. Ce dommage est provoqué par des déformations mécaniques, des dommages thermiques, des dépôts métalliques ou de la fumée provenant de courants de défaut. Après un défaut, localiser et corriger la cause du défaut. Inspecter tout le matériel et effectuer les réparations ou remplacements nécessaires avant de remettre l'appareil en service. S'assurer que toutes les pièces de rechange sont de la valeur nominale correcte et conviennent à l'application. Dans le doute, consulter votre représentant des ventes Schneider Electric.

Après tout défaut, effectuer toutes les procédures d'entretien, commençant à la page 87 et continuant jusqu'à « Essai d'isolation » à la page 102. Effectuer également les procédures ci-après après un défaut :

1. Si le défaut s'est produit en aval du CCM, effectuer l'entretien approprié de tout le matériel impliqué.
2. Examiner l'armoire. Toute évidence externe d'endommagement de l'armoire indique habituellement un dommage interne. Un endommagement étendu exige le remplacement de pièces de l'armoire et du matériel à l'intérieur.
3. Remplacer toutes pièces endommagées ou déformées. Faire particulièrement attention aux charnières des portes et à la quincaillerie de fermeture des portes. Inspecter les unités autour de l'unité endommagée (à l'intérieur et à l'extérieur) pour voir si des pièces provenant de l'unité endommagée s'y sont déplacées. Voir «Examen de l'armoire» à la page 87.

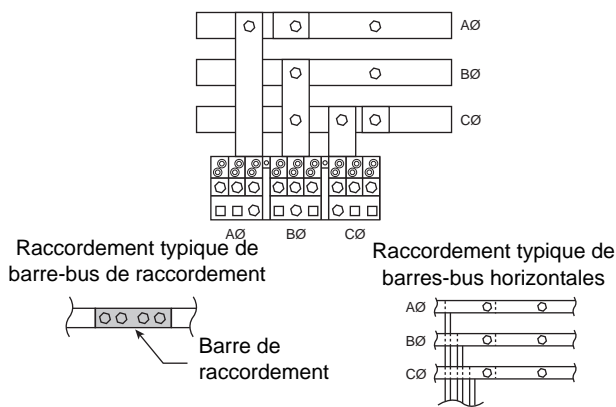
- Examiner les compartiments des barres-bus et des lignes d'arrivée; serrer tous les raccordements électriques à leurs couples de serrage correct. (Le tableau 7 et la figure 113 montrent les points de raccordement et valeurs de couple de serrage typiques des barres-bus.) Remplacer toutes les barres-bus et tous les connecteurs déformés, ainsi que ceux montrant des signes de dommage d'arc. Inspecter tous les isolateurs afin d'y détecter des marques éventuelles de fissures ou de brûlures; remplacer toutes pièces affichant de telles caractéristiques.

Tableau 7 – Valeurs du couple de serrage des raccordements des barres-bus

Emplacement des raccordements boulonnés	Gamme des couple de serrage
Barres-bus horizontales (tous emplacements)	92,2 à 94,9 N•m (68 à 70 lb-pi)
Barre-bus de m.à.l.t. horizontale (tous emplacements)	6,8 à 8,13 N•m (5 à 6 lb-pi)
Barres de raccordement – boulons d'un diamètre de 0,375 po	42 à 43,39 N•m (31 à 32 lb-pi)
Barres de raccordement – boulons d'un diamètre de 0,5 po	92,2 à 94,9 N•m (68 à 70 lb-pi)

Figure 113 –Points typiques de raccordement des barres-bus

Compartiment typique de cosses principales de 600 A ou 800 A situé dans la partie supérieure



FRANÇAIS

5. Si le défaut se produit entre un dispositif de protection en amont et la section contenant un dispositif principal ArcBlok, inspecter les raccordements côté ligne dans l'ArcBlok et dans le compartiment de câbles d'isolation côté ligne. Inspecter l'intérieur à la recherche de traces d'un incident, telles que des marques de brûlure et des pièces endommagées. Inspecter les couvercles avant, les joints en chevauchement, les amortisseurs, les ressorts et le matériau d'étanchéité dans et autour du compartiment (figure 114). Remplacer toute pièce endommagée ou déformée. S'il y a des traces de dommages dans les composants ArcBlok, par exemple les barrières interphases ou les connecteurs à cosse phase-ligne, contacter Schneider Electric avant de remettre le matériel en service.

Figure 114 –Points d'inspection après une panne

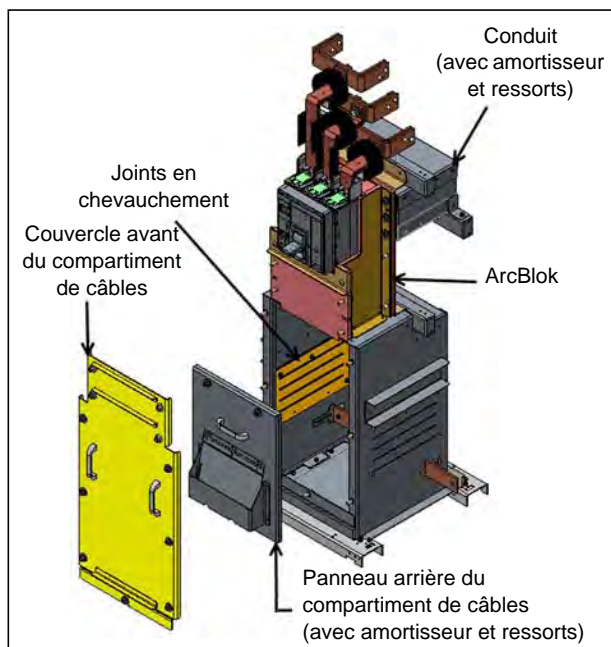


Figure 115 –Manœuvre du mécanisme de neutralisation de l'interverrouillage de porte



6. Suivre les procédures d'entretien pour les unités de contrôle. Commencer par « Entretien des unités de contrôle » à la page 90, et continuer jusqu'à « Essai d'isolation » à la page 102. Exécuter en outre les points indiqués ci-après :
 - a. Examiner les moyens de sectionnement afin d'y détecter toute évidence de dommage éventuel. S'assurer que le mécanisme de fonctionnement tourne le sectionneur sur les positions de *marche (I)* et d'*arrêt (O)*. Actionner la fonction *pousser-pour-déclencher* sur les disjoncteurs. S'assurer que le mécanisme de fonctionnement réarme correctement le disjoncteur.
 - b. Vérifier si l'interverrouillage de porte empêche la porte de l'unité de s'ouvrir pendant que le sectionneur est sur la position de *marche (I)*.

REMARQUE : Si la porte de l'unité doit être ouverte alors que l'unité est sous tension, seul un personnel autorisé peut manœuvrer le mécanisme de neutralisation de l'interverrouillage (figure 115).
 - c. Inspecter les démarreurs de moteurs pour voir s'ils sont endommagés. Remplacer les contacts et ressorts de contacts si les contacts sont soudés ou montrent des signes de surchauffe. Si la détérioration s'étend au-delà des contacts, remplacer le contacteur ou démarreur entier.
 - d. Remplacer les relais de surcharge complets si les unités thermiques sont brûlées, ou s'il y a des indications d'arc ou de brûlures sur le relais.

- e. Inspecter tous les fusibles et porte-fusibles. Remplacer tous les fusibles d'un ensemble, même si un seul ou deux fusibles sont ouverts.
 - f. Vérifier tous les conducteurs et autres dispositifs à l'intérieur des unités pour s'assurer qu'ils ne montrent aucun signe d'endommagement.
7. Exécuter un essai d'isolation (voir « Essai d'isolation » à la page 102) avant de remettre le CCM en service.
 8. Effectuer la « Liste de vérification avant la mise en service » à la page 84.
 9. Remettre l'appareil sous tension. Voir « Vérifier si les dégagements requis des obstructions ci-dessus et autour de l'appareil ont été respectés conformément aux exigences précisées dans ce document. » à la page 85.

Section 7—Relais de surcharge transistorisé (RSCT) Motor Logic^{MC}

Ce qui suit décrit les unités de démarrage CCM d'une tension nominale de 600 V munies d'un relais de surcharge transistorisé Motor Logic (RSCT). Lire et comprendre les mesures de sécurité au début de ces directives avant d'installer, régler ou entreprendre l'entretien de ces unités. Pour obtenir les détails complets d'installation d'un CCM, se reporter à la « Section 4—Installation des CCM » à la page 24.

Figure 116 –RSCT Motor Logic



Figure 117 –Unité Compac^{MC} 6 de type NEMA/EEMAC



Figure 118 –Unité standard de type NEMA/EEMAC



Applications de modernisation Motor Logic

⚠ DANGER

RISQUE D'ÉLECTROCUTION, D'EXPLOSION OU D'ÉCLAIR D'ARC

- Portez un équipement de protection personnelle (ÉPP) approprié et observez les méthodes de travail électrique sécuritaire. Voir NFPA 70E ou CSA Z462.
- Seul un personnel qualifié doit effectuer l'installation et l'entretien de cet appareil.
- Coupez l'alimentation de l'appareil avant d'y travailler.
- Utilisez toujours un dispositif de détection de tension ayant une valeur nominale appropriée pour vous assurer que l'alimentation est coupée.
- Remplacez tous les dispositifs, les portes et les couvercles avant de mettre l'appareil sous tension.

Si ces directives ne sont pas respectées, cela entraînera la mort ou des blessures graves.

AVIS

RISQUE DE DOMMAGES MATÉRIELS

- **Kits de cosses :**
Utilisez seulement les kits 9999 LBO et 9999 LLO achetés après le 1/5/95 pour les unités de tailles 0, 00B, 00C et 1.
- **Élément Z :**
N'utilisez pas les pièces 9999Z3, 9999Z2 ou 9999Z1 développés pour les démarreurs ouverts et de type général sous coffret.

Si ces directives ne sont pas respectées, cela peut entraîner des dommages matériels.

Retirer le démarreur de l'unité pour remplacer le relais de surcharge (fusion d'alliage/bimétallique). Voir « Retrait de l'unité de contrôle » à la page 91.

Des borniers (OEKTTBML) doivent être utilisés pour des applications qui nécessitent des passages multiples pour obtenir la gamme de réglage appropriée.

Retenir le câblage de charge en boucle entre le relais de surcharge et le bornier avec des attache-fils ou l'équivalent lorsque des kits de bornes sont employés.

Sur les unités de démarrage de tailles 3 et 4, le bouton de réarmement du relais de surcharge se trouve à 41 mm (1-5/8 po) de la porte de l'unité et peut exiger un autre assemblage de réarmement (80420-862-51).

La modernisation des unités Compac 6 de 152 mm (6 po) de type NEMA/EEMAC n'est pas recommandée. Le relais de surcharge Motor Logic est disponible installé à l'usine dans les unités Compac 6.

Sur les applications de 600 V, taille 1, ajouter une troisième attache-fil entre le disjoncteur et le contacteur près des cosses de ligne du contacteur. Se reporter aux directives d'utilisation 30072-013-29 pour obtenir des informations supplémentaires.

REMARQUE : Pour les applications de modernisation, contacter votre représentant des ventes Schneider Electric pour assistance. Schneider Electric n'assume aucune responsabilité dans la conception ou l'intégration de modernisations à moins d'avoir un accord par contrat pour le faire.

Utiliser seulement du fil de cuivre sur les bornes d'alimentation et de contrôle du dispositif. Les conducteurs doivent être sélectionnés pour les valeurs nominales de 60 °C ou 75 °C, National Electric Code[®] (Code national de l'électricité - É.-U.).

Les bornes à câble à pression conviennent aux fils de calibre 16 à 12 AWG, rigides ou toronnés. Les étiquettes de directives pour les bornes sont situées près du bornier ou sur la porte de la goulotte guide-fils.

Les cosses carrées (sur les borniers d'alimentation d'interposition fournis avec certaines unités) conviennent aux fils de calibre 14 à 8 AWG, rigides ou toronnés. Les étiquettes de directives pour les bornes sont situées près du bornier. Le tableau 8 fournit des données de terminaison supplémentaires.

Tableau 8 – Types de cosses et calibres de fils

Taille du relais de surcharge Motor Logic ^{MC} classe 9065 ^①	Val. nom.	Type de cosse	Calibre du fil ^②	Valeurs du couple de serrage ^④
00B	1,5 à 4,5 A	Fil à pression ^③	2,5 à 6 mm ² (14 à 8 AWG)	2,83 N•m (25 lb-po)
00C	3 à 9 A	Fil à pression ^③	2,5 à 6 mm ² (14 à 8 AWG)	2,83 N•m (25 lb-po)
0	6 à 18 A	Cosse carrée	2,5 à 16 mm ² (14 à 4 AWG)	5,65 N•m (50 lb-po)
1	9 à 27 A	Cosse carrée	2,5 à 16 mm ² (14 à 4 AWG)	5,65 N•m (50 lb-po)
3	30 à 90 A	Cosse carrée	2,5 à 50 mm ² (14 à 1/0 AWG)	11,30 N•m (100 lb-po)
4	45 à 135 A	Cosse carrée	6 à 120 mm ² (8 à 250 MCM)	22,60 N•m (200 lb-po)
5	90 à 270 A	Cosse carrée	120 à 240 mm ² (250 à 500 MCM)	28,25 N•m (250 lb-po)
6	180 à 540 A	Cosse à mâchoires	120 à 240 mm ² (250 à 500 MCM)	42,37 N•m (375 lb-po)

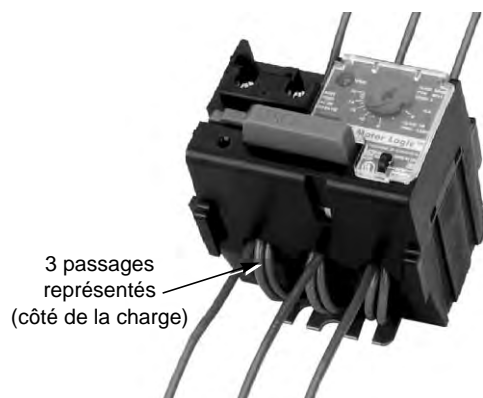
① Voir l'étiquette du relais de surcharge près du cadran de réglage.

② Fil de cuivre rigide ou toronné, 60 ou 75 °C, sauf pour les relais de surcharge de 45 à 135 A (fil de 75 °C uniquement).

③ Un kit de cosses carrées peut être fourni, convenant au fil de calibre 14 à 4 AWG, couple de serrage de 5,65 N•m (50 lb-po).

④ Ne concerne pas les unités Compac^{MC} 6.

Figure 119 – Passages multiples



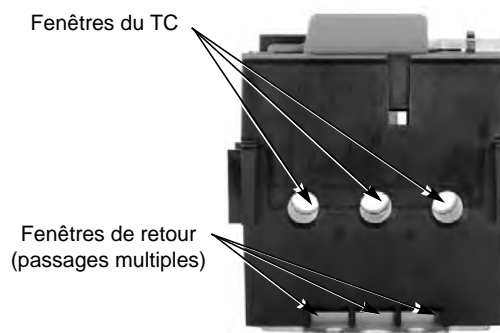
Les relais de tailles 00B, 00C, 0 et 1 possèdent des fenêtres de conducteurs (TC) par lesquelles les fils du moteur doivent passer avant d'être raccordés aux bornes de charge sur le contacteur (T1, T2 et T3). En permettant des passages multiples (tours) des fils de charge par ces fenêtres du TC, une protection contre les

surcharges peut être fournie pour les moteurs avec un courant de pleine charge inférieur à la gamme de fonctionnement spécifiée. Deux passages des fils de charge par chaque fenêtre augmentent en effet (d'un multiple de deux) le courant que le relais de surcharge détecte. Trois passages augmentent en effet le courant d'un multiple de trois. Les trois fenêtres de conducteurs doivent avoir le même nombre de passages, mis en boucles dans le même sens, pour que le relais de surcharge fonctionne correctement (figure 119 à la page 110).

Les passages doivent commencer du côté charge du relais de surcharge, en passant par la fenêtre du TC et retourner par les fenêtres fournies entre la plaque de base et le relais de surcharge (figure 120). Le dernier passage se termine sur le côté charge du contacteur.

Les unités CCM exigeant des passages multiples sont fournies avec les boucles mises en place à l'usine avec du fil de calibre 14 AWG et des borniers d'interposition. Se reporter à « Applications de modernisation Motor Logic » à la page 109 pour obtenir des informations sur la modernisation.

Figure 120 –Relais de surcharge Motor Logic (vue du bas)



Réglage

⚠ DANGER

RISQUE D'ÉLECTROCUTION, D'EXPLOSION OU D'ÉCLAIR D'ARC

- Portez un équipement de protection personnelle (ÉPP) approprié et observez les méthodes de travail électrique sécuritaire. Voir NFPA 70E ou CSA Z462.
- Seul un personnel qualifié doit effectuer l'installation et l'entretien de cet appareil.
- Coupez l'alimentation de l'appareil avant d'y travailler.
- Utilisez toujours un dispositif de détection de tension ayant une valeur nominale appropriée pour vous assurer que l'alimentation est coupée.
- Remplacez tous les dispositifs, les portes et les couvercles avant de mettre l'appareil sous tension.

Si ces directives ne sont pas respectées, cela entraînera la mort ou des blessures graves.

Couper toutes les alimentations à cet appareil avant d'y travailler et observer toutes les procédures d'interverrouillage et d'étiquetage. Toujours utiliser un dispositif de détection de tension ayant une valeur nominale appropriée pour vous assurer que l'alimentation est coupée.

Les informations de réglage du relais de surcharge se trouvent sur une étiquette à l'intérieur de la porte des unités (figure 121) de démarreurs munies du relais de surcharge Motor Logic.

Figure 121 –Étiquette de réglage de l'unité

DANGER

HAZARD OF ELECTRIC SHOCK, BURN OR EXPLOSION

- Turn off power supplying equipment before working inside.
- For fusible switch starter units, power fuses must be selected in accordance with Article 430 of the NEC. Class RK5 fuses are recommended for NEMA rated applications.
- Use only Class J fuses for Compac™ 6 units.

Failure to follow these instructions will result in death, serious injury or equipment damage.

OPERATING INSTRUCTIONS:
For continuous-rated motors with service factors of 1.0, multiply the motor full-load current (MFLC) by the number of passes through the overload relay's windows (1,2 or 3) and set the overload relay's current adjustment dial to 90% of this value. For continuous-rated motors with service factors of 1.15 to 1.25, multiply the MFLC by the number of passes through the overload relay's windows (1,2 or 3) and set the overload current adjustment dial to this value.

SOLID - STATE OVERLOAD RELAY

CURRENT RANGE:

SIZE 00B	1.5 - 4.5A	0.75 - 2.25A (2 PASSES)	0.5 - 1.5A (3 PASSES)
SIZE 00C	3 - 9A	1.5 - 4.5A (2 PASSES)	1 - 3A (3 PASSES)
SIZE 0	6 - 18A	3 - 9A (2 PASSES)	2 - 6A (3 PASSES)
SIZE 1	9 - 27A	4.5 -13.5A (2 PASSES)	3 - 9A (3 PASSES)
SIZE 2	15 - 45A	MULTIPLE PASSES NOT AVAILABLE	
SIZE 3	30 - 90A	MULTIPLE PASSES NOT AVAILABLE	
SIZE 4	45 - 135A	MULTIPLE PASSES NOT AVAILABLE	

* Passes refer to multiple looping through overload windows.

Trip current rating is 1.25 times the overload relay's current adjustment dial setting. Instructions above assume the motor is applied at its rated ambient temperature. For other conditions, consult the motor manufacturers for current capacity. NOTE: For part winding and multi-speed applications, use the MFLC of each motor winding as a basis for overload adjustment. Trip and alarm contact ratings: NEMA A600 and NEMA P300.

80438-651-01 REV G

FRANÇAIS

Section 8—Réglages des protecteurs de circuits de moteurs Mag-Gard^{MC}, PowerPact^{MC} et TeSys^{MC}

Le Code national de l'électricité (NEC[®], É.-U.) et le Code de l'électricité canadien (CÉC[®]) exigent que les démarreurs magnétiques, utilisés conjointement avec les disjoncteurs à déclenchement magnétique réglable uniquement, sont munis d'un relais de surcharge sur chaque conducteur. Les protecteurs de circuits de moteurs Mag-Gard ou PowerPact sont les systèmes de protection standard dans les CCM Modèle 6.

Réglage du déclenchement magnétique des protecteurs de circuits de moteurs Mag-Gard, PowerPact ou TeSys

Le déclenchement magnétique est réglé à l'usine sur la position Lo (bas) pour les protecteurs de circuits de moteurs Mag-Gard. Pour les protecteurs de circuits de moteurs PowerPact à châssis H et J, et TeSys à châssis B, le réglage de courant pleine charge (CPC) est mis à l'usine à la position la plus basse et le réglage de déclenchement instantané (Im) est mis à l'usine à la position Auto 1. Pour les protecteurs de circuits de moteurs PowerPact à châssis P (déclencheur électronique ET1.0M), le réglage de déclenchement instantané ajustable est placé à sa position la plus basse en usine. Ces réglages peuvent demander un ajustement pour obtenir un bon démarrage du moteur. Pour les deux types de protecteurs de circuits de moteurs, Mag-Gard et PowerPact, se reporter aux limites du point de consigne de déclenchement magnétique précisées dans les normes nationales d'installation en vigueur. Pour les protecteurs de circuits de moteurs PowerPact à châssis H et J, se reporter également aux directives d'utilisation Réglages des protecteurs de circuits de moteurs PowerPact (48940-260-01) expédiées avec l'appareil.

⚠ DANGER

RISQUE D'ÉLECTROCUTION, D'EXPLOSION OU D'ÉCLAIR D'ARC

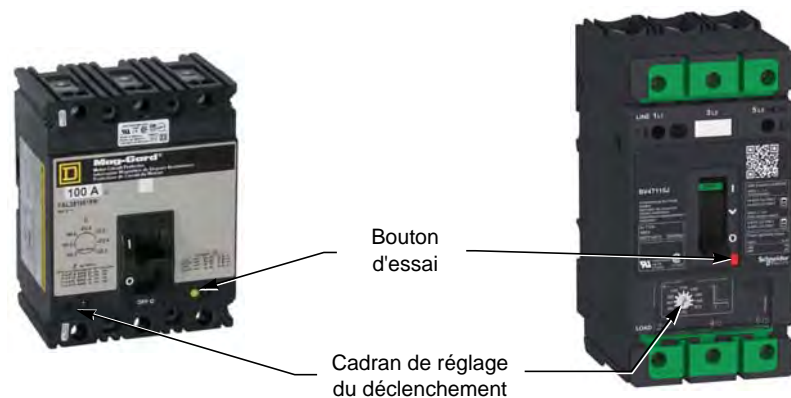
- Portez un équipement de protection personnelle (ÉPP) approprié et observez les méthodes de travail électrique sécuritaire. Voir NFPA 70E ou CSA Z462.
- Seul un personnel qualifié doit effectuer l'installation et l'entretien de cet appareil.
- Coupez l'alimentation de l'appareil avant d'y travailler.
- Utilisez toujours un dispositif de détection de tension à valeur nominale appropriée pour vous assurer que l'alimentation est coupée.
- Remplacez tous les dispositifs, les portes et les couvercles avant de mettre l'appareil sous tension.

Si ces directives ne sont pas respectées, cela entraînera la mort ou des blessures graves.

Pour accéder au cadran de réglage du déclenchement du Mag-Gard ou TeSys à châssis B :

1. Couper toutes les alimentations à cet appareil avant d'y travailler et observer toutes les procédures d'interverrouillage et d'étiquetage. Toujours utiliser un dispositif de détection de tension ayant une valeur nominale appropriée pour vous assurer que l'alimentation est coupée.
2. Placer la manette de l'unité sur la position d'arrêt (O) et ouvrir la porte.
3. Tout en poussant le levier d'interverrouillage de la porte vers l'avant, déclencher le disjoncteur en appuyant sur le bouton d'essai jaune (figure 122). La manette du sectionneur se déplace automatiquement vers le haut, donnant accès au cadran de réglage.

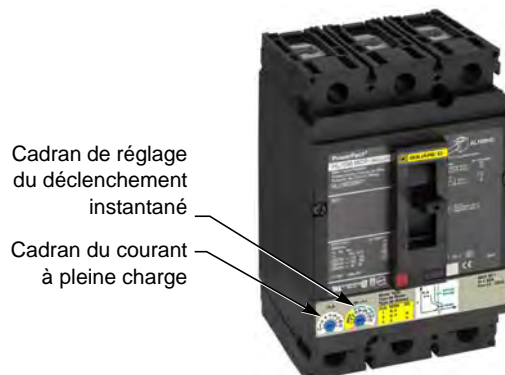
Figure 122 –Réglage du déclenchement magnétique du Mag-Gard et TeSys à châssis B



Après avoir obtenu le courant de pleine charge du moteur de la plaque signalétique du moteur, sélectionner un point de consigne du déclenchement réglable pour faire un essai de mise en marche du moteur. Des réglages complémentaires peuvent être nécessaires en fonction des caractéristiques de charge du moteur. Consulter les normes nationales d'installation en vigueur pour connaître les points de consigne permis.

Après avoir effectué le réglage du déclenchement, réarmer le disjoncteur en plaçant la manette du sectionneur sur la position de marche (I) puis sur la position d'arrêt (O).

Figure 123 –Réglage du déclenchement magnétique du PowerPact à châssis H et J



Pour accéder aux cadrans de réglage du courant à pleine charge (CPC) et du déclenchement instantané (Im) des protecteurs PowerPact à châssis H et J :

1. Couper toutes les alimentations à cet appareil avant d'y travailler et observer toutes les procédures d'interverrouillage et d'étiquetage. Toujours utiliser un dispositif de détection de tension ayant une valeur nominale appropriée pour vous assurer que l'alimentation est coupée.
2. Placer la manette de l'unité sur la position d'arrêt (O) et ouvrir la porte.
3. Pour régler les cadrans de CPC et Im, se reporter aux directives d'utilisation des réglages des protecteurs de circuits de moteurs PowerPact (48940-260-01) expédiées avec l'appareil.

- REMARQUES :**
- Sélectionner les protecteurs de circuits de moteurs Mag-Gard, PowerPact ou TeSys de rechange pour les CCM qui utilisent la tension nominale et le courant nominal indiqués dans le catalogue des CCM Modèle 6 (8998CT9701) en plus des tableaux de sélection des protecteurs Mag-Gard, PowerPact ou TeSys dans la dernière édition du Digest Schneider Electric.
 - Ces protecteurs de circuits de moteurs conviennent aux moteurs possédant des lettres du code d'indication de rotor bloqué, basées sur les codes et normes nationaux en vigueur. Pour d'autres moteurs, consulter votre représentant des ventes local Schneider Electric.

Figure 124 –Réglage du déclenchement instantané du disjoncteur PowerPact à châssis L

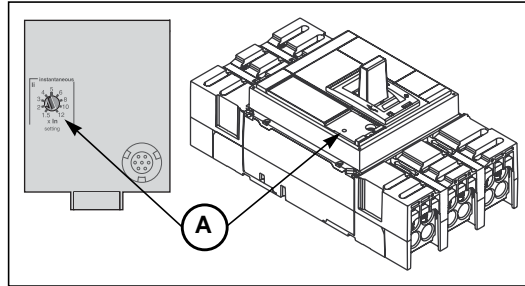


Pour accéder au cadran de réglage du déclenchement (Isd) du disjoncteur PowerPact à châssis L :

1. Couper toutes les alimentations à cet appareil avant d'y travailler et observer toutes les procédures d'interverrouillage et d'étiquetage. Toujours utiliser un dispositif de détection de tension à valeur nominale appropriée pour s'assurer que l'alimentation est coupée.
2. Placer la manette de l'unité sur la position d'arrêt (O/OFF) et ouvrir la porte.
3. Régler le déclenchement sur surintensité en ajustant l'interrupteur désigné « Isd » comme indiqué à la figure 124. Le cadran est gradué en ampères. Consulter les directives d'utilisation 48940-310-01, *Déclencheurs Micrologic™ 0, 1, 2 et 3—Guide de l'utilisateur* pour plus de renseignements sur le réglage du déclenchement. Ces directives d'utilisation sont expédiées avec l'appareil.

Après avoir obtenu le courant de pleine charge du moteur de la plaque signalétique du moteur, sélectionner un point de consigne du déclenchement réglable pour faire un essai de mise en marche du moteur. Des réglages complémentaires peuvent être nécessaires en fonction des caractéristiques de charge du moteur. Consulter les normes nationales d'installation en vigueur pour connaître les points de consigne permis.

Figure 125 –Réglage du déclenchement instantané du protecteur PowerPact à châssis P



Pour accéder au cadran de réglage du déclenchement instantané du protecteur PowerPact à châssis P (Im) :

1. Couper toutes les alimentations à cet appareil avant d'y travailler et observer toutes les procédures d'interverrouillage et d'étiquetage. Toujours utiliser un dispositif de détection de tension à valeur nominale appropriée pour s'assurer que l'alimentation est coupée.
2. Placer la manette de l'unité sur la position d'arrêt (O) et ouvrir la porte.
3. Faire les réglages de la façon suivante :
 - a. Pour les déclencheurs électroniques ET1.0I et ET1.0M, régler le déclenchement instantané (Ii) en ajustant l'interrupteur A (figure 125). Les réglages d'interrupteurs sont des multiples de la valeur nominale du châssis.
 - b. Pour les déclencheurs électroniques Micrologic, voir les directives d'utilisation envoyées avec le disjoncteur.

Après avoir obtenu le courant de pleine charge du moteur de la plaque signalétique du moteur, sélectionner un point de consigne du déclenchement réglable pour faire un essai de mise en marche du moteur. Des réglages complémentaires peuvent être nécessaires en fonction des caractéristiques de charge du moteur. Consulter les normes nationales d'installation en vigueur pour connaître les points de consigne permis.

Section 9—Centre de commande de moteurs intelligent (CCMi)

Cette section contient les directives s'appliquant aux centres de commande moteurs intelligents Modèle 6.

Présentation des CCMi

Les centres de commande de moteurs intelligents modèle 6 comportent la même structure et les mêmes caractéristiques que les centres de commande de moteurs modèle 6 avec les capacités « intelligentes » en plus. Deux méthodes de configuration des CCMi modèle 6 pour personnaliser votre application :

- CCMi-E/S câblées : Intercâblage de PLC
- CCMi-réseau : Câblage du réseau

CCMi-E/S câblées : Intercâblage de PLC

Cette méthode offre un système d'E/S câblées dans le CCM modèle 6 qui fournit des informations de base et des capacités de contrôle. Avec les E/S montées dans le CCM, les démarreurs sont câblés aux E/S à l'usine de fabrication Schneider Electric et le système est essayé avant son expédition.

CCMi-réseau : Câblage du réseau

Une caractéristique clé de notre solution de réseau pour la CCMi est l'intégration de dispositifs intelligents et de réseaux au niveau des dispositifs pour le contrôle et une automatisation qui donne une performance améliorée. Les protocoles de réseau répandus tels que CANopen, DeviceNet^{MC}, Ethernet, Modbus[®] et PROFIBUS communiquent directement avec chaque unité de CCMi pour donner une méthode efficace de connexion d'un contrôle centralisé à des E/S largement distribuées.

La mise en réseau permet une surveillance facile des données essentielles de chaque moteur ou charge raccordé au CCMi, permettant un contrôle précis du processus à tous moments. Avec ces informations, votre personnel peut répondre à des problèmes potentiels de façon proactive. L'accès en temps réel aux informations et enregistrements des derniers défauts permet une simplification des diagnostics et une réduction des temps d'arrêt.

Le câblage du réseau consiste en une solution qui est appropriée pour le réseau de communication de votre choix. Notre goulotte guide-fils à pleine profondeur, en tête de l'industrie, sépare efficacement le câblage du réseau du câblage haute tension. De plus, l'écran isolant standard de notre goulotte guide-fils isole le câblage de communication du câblage de charge acheminé dans la goulotte guide-fils verticale.

Présentation des réseaux/communications

Les CCMi contiennent des dispositifs Schneider Electric munis de ports de communication. Chaque dispositif possède une liste interne de registres unique. Ces dispositifs peuvent être reliés ensemble à un seul point.

Les publications Schneider Electric énumérées au tableau 2 à la page 16 peuvent être utiles pour la configuration, l'entretien et l'utilisation régulière des CCMi Modèle 6. Ces documents sont fournis sur le CD-ROM compris avec l'expédition. Sur demande, votre représentant des ventes Schneider Electric peut vous les procurer sous forme imprimée. Ou il est encore possible de télécharger ces documents de la bibliothèque technique à www.schneider-electric.us.

Raccordement du système de câblage du CCMi

AVIS

RISQUE DES DOMMAGES MATÉRIELS

- N'exercez pas de force excessive lorsque vous faites des raccordements de câblage CCMi.
- Les connecteurs comportent une languette assurant l'alignement correct des broches.

Si cette directive n'est pas respectée, cela peut entraîner des dommages matériels.

Les unités dans les CCMi sont raccordées à l'usine. Le câble utilisé varie avec le type de réseau. Les broches pour les divers réseaux sont indiquées dans le tableau 9 :

Tableau 9 – Broches pour les réseaux de CCMi

Réseau	Couleur du câble				
	Bleu	Blanc	Rouge	Noir	Nu
Modbus (RS-485 à 2 fils)	Signal +	Signal -	Non utilisé		Blindage
PROFIBUS	A (Neg)	B (Pos)	Non utilisé		
DeviceNet	CAN_L	CAN_H	V +	V -	
CANopen					

Câblage du réseau

Le câblage du réseau fourni par l'usine est installé conformément aux procédures et méthodes définies dans la norme UL 845, et acheminé dans la goulotte guide-fils horizontale inférieure.

Pour effectuer des raccordements directs aux systèmes de classe 2 ou CM, installer un câblage de classe 2 ou CM qui soit séparé des conducteurs d'alimentation soit par une cloison, soit par un espace minimum de 6 mm (0,25 po). Acheminer les conducteurs d'alimentation dans la goulotte guide-fils horizontale supérieure afin d'avoir une séparation maximale.

Un câblage de réseau externe doit être conforme aux méthodes de classe 2 ou CM en vertu des dispositions du NEC (É.-U), articles 725 et 800.

Câbles entre les sections de transport

Raccorder les câbles de la ligne principale entre les sections de transport en alignant les languettes et en branchant l'extrémité mâle du câble principal dans l'extrémité femelle du câble principal suivant. Visser l'anneau de couplage jusqu'à ce qu'il soit bien serré à la main. Répéter ce processus jusqu'à ce que toutes les sections de transport soient raccordées.

Câbles de charge

Il est recommandé d'acheminer tous les câbles de charge dans la goulotte guide-fils horizontale supérieure afin de les tenir isolés du câblage de communication. Si les câbles de charge sont acheminés dans la goulotte guide-fils horizontale inférieure, prendre soin de maintenir une distance de 6 mm (0,25 po) entre le câblage de communication et tout autre câblage.

Réseau de communication

Il y a trois façons principales de raccorder le réseau de communication : au moyen de ponts/répéteurs, d'automates (PLC) ou d'un raccordement direct par câble. Suivre les instructions applicables ci-dessous pour effectuer les raccordements du câblage du CCMi Modèle 6.

Ponts/répéteurs

Si le PLC ne se trouve pas dans la zone locale du CCM, il faudra typiquement utiliser un pont/répéteur pour raccorder le réseau de communication.

Résistances de terminaison

Pour que le réseau de communication fonctionne correctement, des résistances de terminaison sont requises à chaque extrémité du réseau. Si le CCMi est expédié avec un pont, un répéteur ou un PLC, des borniers externes (MCT485) sont compris dans l'envoi.

Raccordement direct par câble

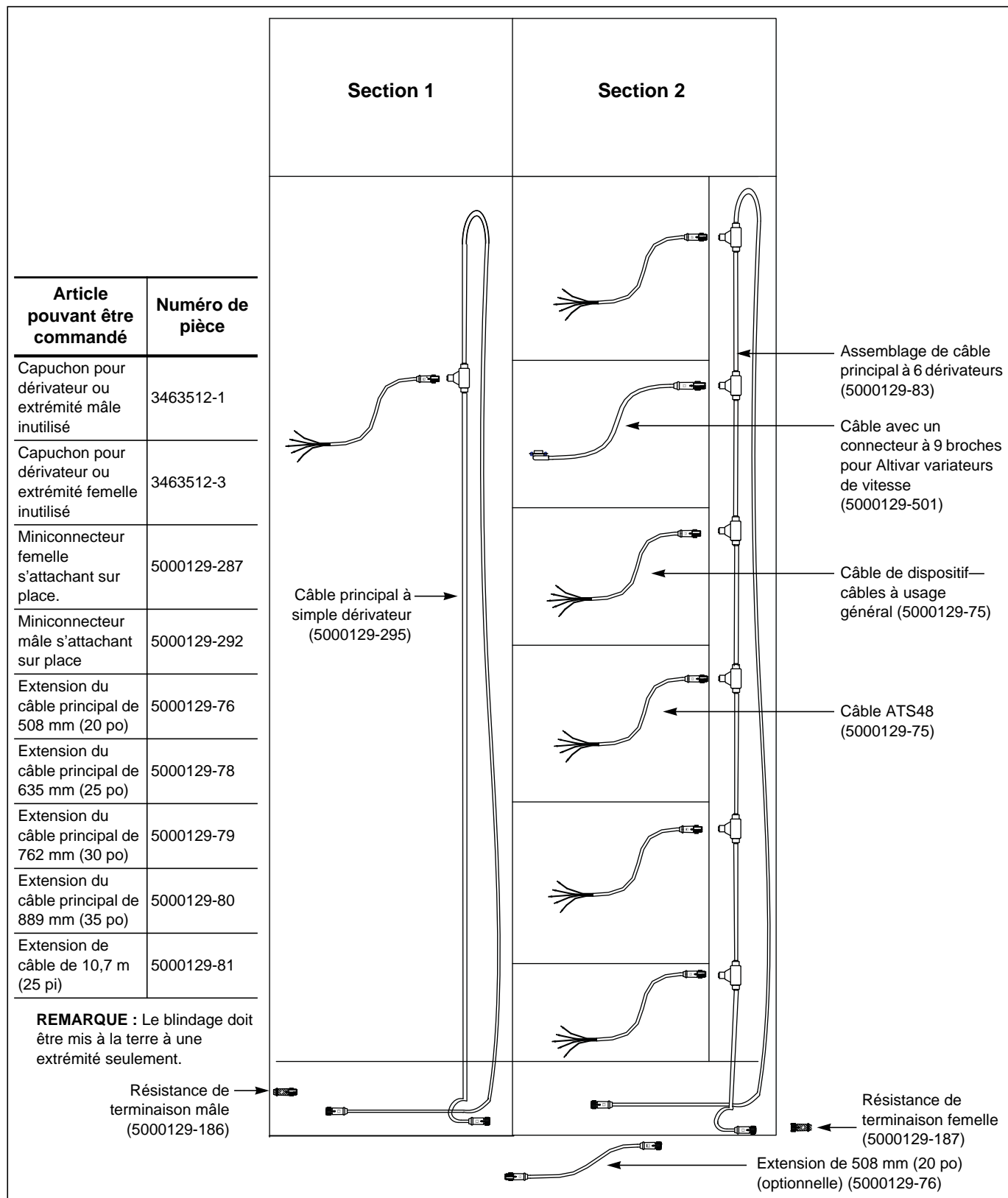
Tableau 10 – Broches de connexion au réseau

Terminaison des connexions sur place	Connecteur femelle/mâle à 5 broches	
	Modbus et PROFIBUS	DeviceNet et CANopen
Broche n° 1	Blindage	Blindage
Broche n° 2	Non utilisée	Rouge
Broche n° 3	Non utilisée	Noir
Broche n° 4	Blanc	Blanc
Broche n° 5	Bleu	Bleu

Suivre les points ci-après pour raccorder un câble directement au réseau au moyen d'un câble de réseau du CCMi.

1. Déterminer quelle extrémité (mâle ou femelle) du réseau du CCMi doit être reliée à votre câble.
2. Dénuder le câblage de communication de son isolation.
3. Selon le réseau, utiliser les broches données dans la tableau à gauche.

Figure 126 –Schéma de câblage typique pour Modbus® à 2 fils

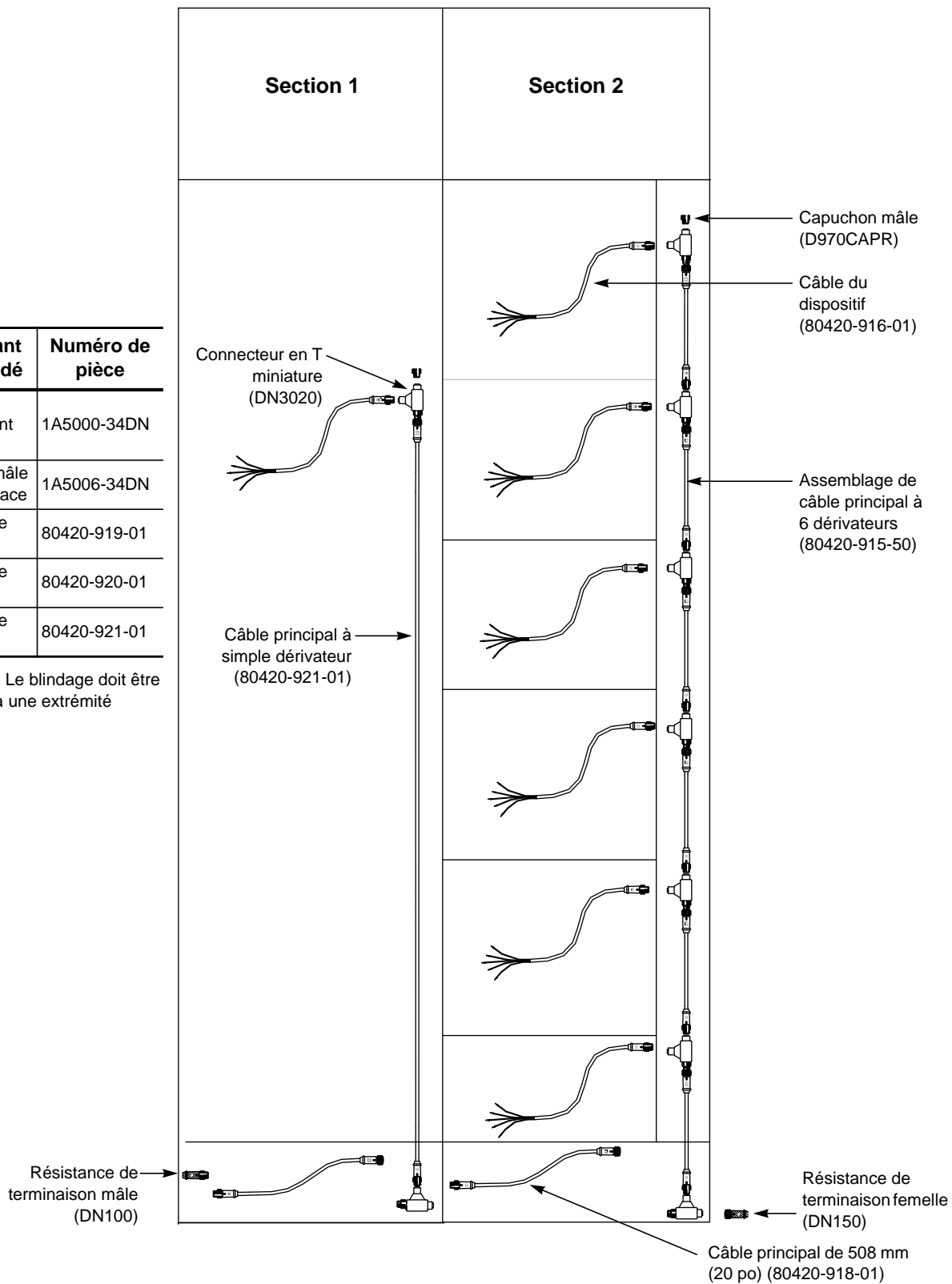


FRANÇAIS

Figure 127 –Schéma de câblage typique pour DeviceNet^{MC} et CANopen (câble 8A)

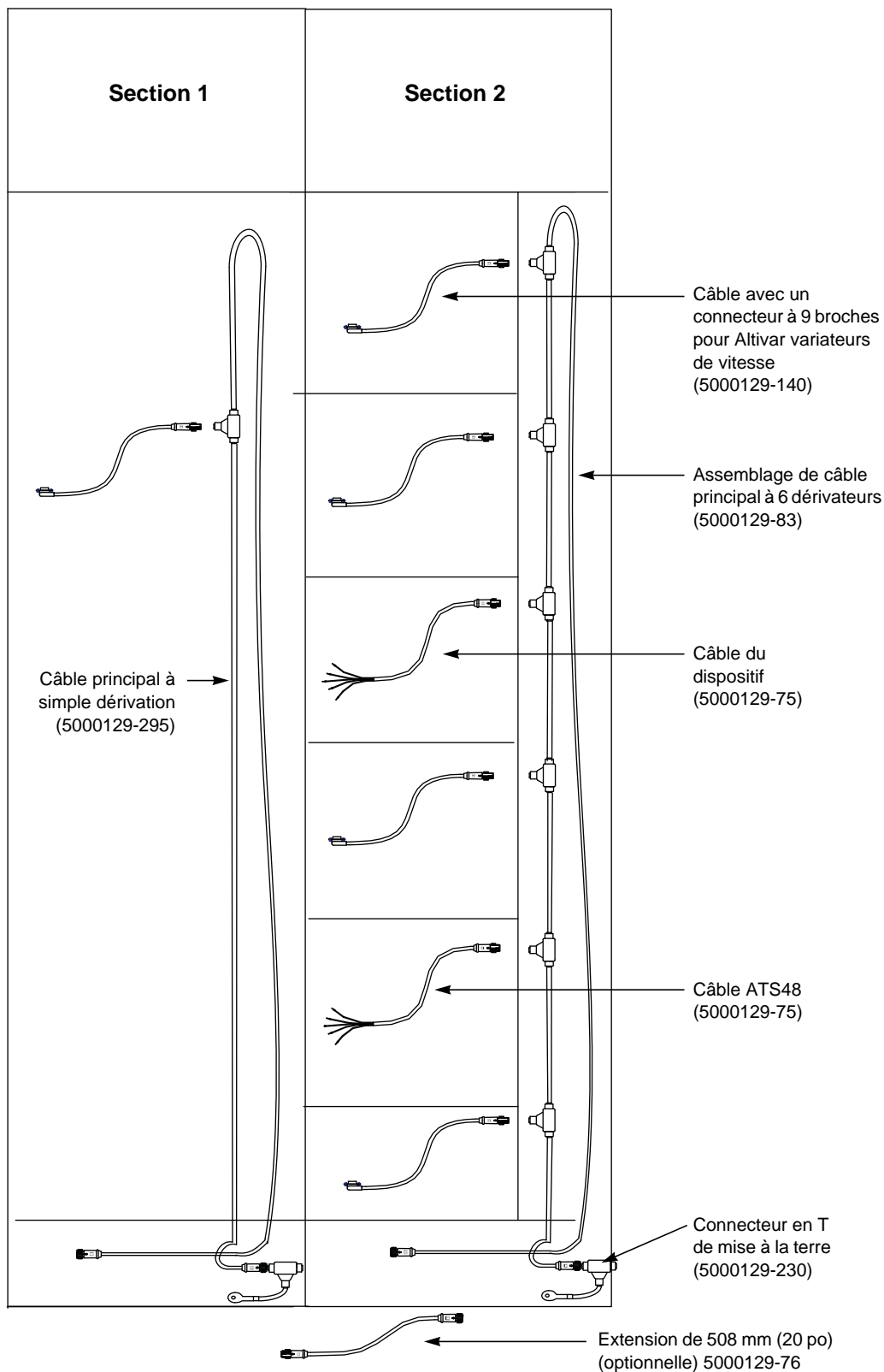
Article pouvant être commandé	Numéro de pièce
Miniconnecteur femelle s'attachant sur place	1A5000-34DN
Miniconnecteur mâle s'attachant sur place	1A5006-34DN
Câble principal de 635 mm (25 po)	80420-919-01
Câble principal de 762 mm (30 po)	80420-920-01
Câble principal de 889 mm (35 po)	80420-921-01

REMARQUE : Le blindage doit être mis à la terre à une extrémité



FRANÇAIS

Figure 128 –Schéma de câblage typique pour PROFIBUS



Article pouvant être commandé	Numéro de pièce
Capuchon pour dérivateur ou extrémité mâle inutilisé	3463512-1
Capuchon pour dérivateur ou extrémité femelle inutilisé	3463512-3
Extension de câble principal de 508 mm (20 po)	5000129-76
Extension de câble principal de 635 mm (25 po)	5000129-78
Extension de câble principal de 762 mm (30 po)	5000129-79
Extension de câble principal de 889 mm (35 po)	5000129-80
Extension de câble de 10,7 m (25 pi)	5000129-81

REMARQUE : Le blindage de toutes les sections doit être mis à la terre.

REMARQUE : Le réseau est terminé dans une unité de

FRANÇAIS

Fonctionnement

Cette section contient les listes de vérification avant la mise en service, les procédures de mise sous tension et les procédures de programmation à distance et locales pour les relais de protection de moteurs Motor Logic Plus^{MC} et TeSys^{MC} T, Appareil PowerLogic^{MC} ION, le puissance-mètre PowerLogic^{MC}, le moniteur de circuit PowerLogic, les variateurs de vitesse Altivar^{MC} et les démarreurs progressifs Altistart^{MC}.

Listes de vérification avant la mise en service

Pour vérifier si le CCMi fonctionne correctement, effectuer les vérifications des listes suivantes avant de mettre l'appareil sous tension :

Structure CCM

- ❑ Effectuer les procédures d'entretien, commençant à la page 87 et continuant jusqu'à « Essai d'isolation » à la page 102. Cet entretien initial est nécessaire pour détecter tout dommage de transport ou des raccordements desserrés ou défauts. Ne pas mettre le CCM sous tension tant que l'entretien initial n'est pas fini.

REMARQUE : Les procédures d'entretien suivantes ne sont pas nécessaires avant de mettre le CCM sous tension pour la première fois : retrait de l'unité de contrôle, blocs des pinces d'alimentation, contacts des démarreurs et écrans isolants/isolateurs.

- ❑ Effectuer un essai d'isolation sur le CCM (voir « Essai d'isolation » à la page 102).
- ❑ Si le CCM est muni d'une protection contre les défauts de m.à.l.t., régler la correctement et essayer ce dispositif de protection avant de mettre sous tension.
- ❑ Retirer tous les blocs ou autres moyens temporaires de maintien des dispositifs électriques.
- ❑ Retirer tous les cavaliers des secondaires des transformateurs de courant. Ne pas utiliser un transformateur de courant avec son secondaire ouvert.
- ❑ Manœuvrer manuellement tous les interrupteurs, disjoncteurs et autres mécanismes de fonctionnement afin de s'assurer qu'ils sont correctement alignés et qu'ils fonctionnent librement.
- ❑ Manœuvrer électriquement (mais non sous charge) tous les interrupteurs, disjoncteurs et autres mécanismes à fonctionnement électrique afin de s'assurer que ces dispositifs fonctionnent correctement. Une source auxiliaire d'alimentation de contrôle peut être nécessaire.
- ❑ Vérifier la temporisation correcte et le bon fonctionnement des contacts des temporisateurs.
- ❑ Effectuer le réglage de surintensité du Motor Logic Plus à l'intensité maximale du facteur de service du moteur pour assurer que la protection appropriée contre les surcharges est fournie. Le seuil de surintensité de Motor Logic Plus est réglé au plus bas à l'usine. Vérifier si tous les autres réglages sont optimisés pour l'application.
- ❑ La feuille de réglage des paramètres donne la liste de tous les paramètres qui ont été modifiés par rapport à l'original, réglages par défaut. Tout réglage non indiqué sur cette feuille restera comme à l'origine, valeurs par défaut.
- ❑ S'assurer que toutes les connexions de charge et de contrôle à distance ont été faites et qu'ils sont conformes aux schémas de câblage fournis.
- ❑ Vérifier si toutes les connexions à la terre sont faites correctement.

- ❑ Installer les couvercles et fermer les portes; s'assurer qu'ils sont correctement serrés.

Communications du CCMi

AVIS

RISQUE DES DOMMAGES MATÉRIELS

- N'exercez pas de force excessive lorsque vous faites des raccordements de câblage.
- Les connecteurs comportent une languette assurant l'alignement correct des broches.

Si cette directive n'est pas respectée, cela peut entraîner des dommages matériels.

Avant de mettre l'appareil sous tension, vérifier les points ci-dessous afin de s'assurer que la mise en réseau et le câblage du CCMi sont configurés et raccordés correctement :

Raccordements du câblage

- ❑ S'assurer que la longueur du réseau sans répéteur est inférieure à 457 m (1500 pi).
- ❑ Vérifier si les câbles du CCM sont raccordés entre les sections de transport. Voir « Câbles entre les sections de transport » à la page 118 pour les directives.
- ❑ Vérifier si chaque câble de dérivation de dispositif est correctement raccordé à la ligne principale.
- ❑ S'assurer que tous les raccordements du réseau sont sûrs.
- ❑ Vérifier si des résistances de terminaison sont installées comme requis par le protocole de réseau.

Configuration des communications

- ❑ Vérifier si tous les dispositifs ont reçu des adresses correctes (voir « Adressage des dispositifs » à la page 139 pour connaître les paramètres d'adressage spécifiques).

Mise sous tension des CCM

⚠ DANGER

RISQUE D'ÉLECTROCUTION, D'EXPLOSION OU D'ÉCLAIR D'ARC

- Portez un équipement de protection personnelle (ÉPP) approprié et observez les méthodes de travail électrique sécuritaire. Voir NFPA 70E ou CSA Z462.
- Seul un personnel qualifié doit effectuer l'installation et l'entretien de cet appareil.
- Coupez l'alimentation de l'appareil avant d'y travailler.
- Utilisez toujours un dispositif de détection de tension ayant une valeur nominale appropriée pour vous assurer que l'alimentation est coupée.
- Remplacez tous les dispositifs, les portes et les couvercles avant de mettre l'appareil sous tension.
- Repassez en revue les « Listes de vérification avant la mise en service » commençant à la page 123 et vérifiez si toutes les rubriques sont réalisées.

Si ces directives ne sont pas respectées, cela entraînera la mort ou des blessures graves.

Pour mettre le CCM sous tension :

1. Repasser en revue les « Listes de vérification avant la mise en service » à la page 123 avant de mettre sous tension.
2. Désactiver toutes les charges en aval, notamment le matériel de distribution et autres dispositifs distants du CCM.
3. Vérifier si tous les écrans isolants, portes et tous les couvercles sont fermés avant de mettre l'appareil sous tension.
4. Mettre l'appareil sous tension en séquence, en commençant par les dispositifs principaux, puis les dispositifs de dérivation et enfin les dispositifs de démarreurs de moteurs.
5. Avec toutes les écrans isolants en place et les portes d'unités fermées et verrouillées, mettez les dispositifs en marche d'un mouvement ferme et positif.
6. Après avoir fermé tous les sectionneurs, les charges telles que les circuits d'éclairage, démarreurs, contacteurs, appareils de chauffage et moteurs peuvent être mises sous tension.

Programmation locale du Motor Logic Plus

⚠ DANGER

RISQUE D'ÉLECTROCUTION, D'EXPLOSION OU D'ÉCLAIR D'ARC

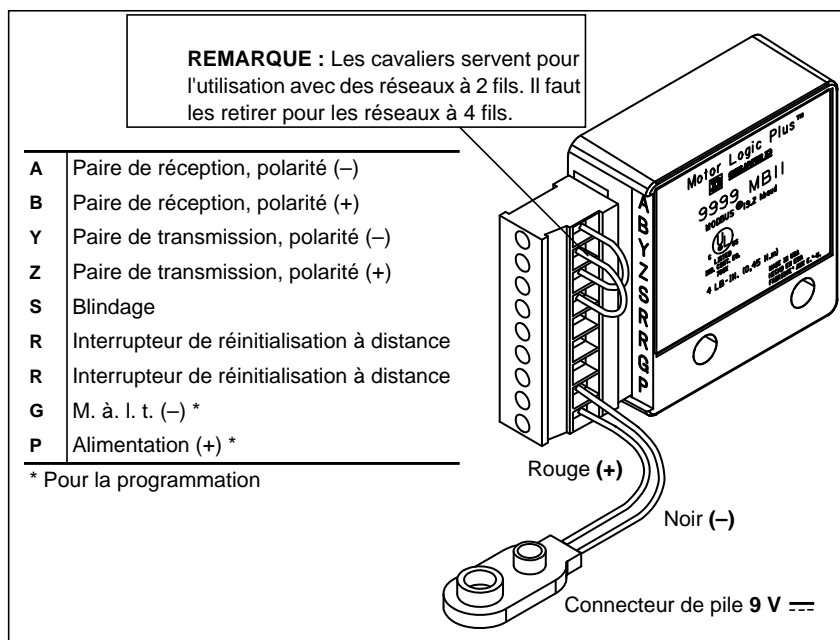
- Portez un équipement de protection personnelle (ÉPP) approprié et observez les méthodes de travail électrique sécuritaire. Voir NFPA 70E ou CSA Z462.
- Coupez toute alimentation de l'appareil avant de travailler sur ou à l'intérieur du centre de commande de moteurs.
- Utilisez un dispositif de détection de tension ayant une valeur nominale appropriée pour vous assurer que l'alimentation est coupée. Mettez l'unité de contrôle hors tension avant d'effectuer l'entretien du CCM.
- Le sectionneur de l'unité doit être cadenassé en position d'arrêt avant de travailler sur le matériel.

Si ces directives ne sont pas respectées, cela entraînera la mort ou des blessures graves.

La programmation locale peut être utilisée pour programmer un point de consigne et aux fins de lecture des erreurs du Motor Logic Plus. S'assurer que l'afficheur n'est pas verrouillé (réglage par défaut), et couper toute alimentation avant d'entreprendre les points ci-dessous pour accomplir une programmation locale :

1. Couper toutes les alimentations à cet appareil avant d'y travailler et observer toutes les procédures d'interverrouillage et d'étiquetage. Toujours utiliser un dispositif de détection de tension ayant une valeur nominale appropriée pour vous assurer que l'alimentation est coupée.
2. Raccorder une alimentation de 9 V aux bornes « P » et « G » à l'aide du connecteur fourni, pièce n° 80445-519-50 (figure 129 à la page 126).

Figure 129 –Bornes du module de communication Motor Logic Plus^{MC}



3. Placer le sélecteur de mode (Mode Select) sur le paramètre à programmer. Se reporter aux directives d'utilisation n° 30072-013-98_ (voir la « Documentation sur les centres de commande de moteurs intelligents (CCMi) » à la page 16) pour obtenir la liste des paramètres.
4. Appuyer sur et maintenir appuyé le bouton Réinitialiser/Programme (Reset/Program).

REMARQUE : L'affichage ne s'allumera pas pour la programmation locale si le sélecteur de mode (Mode Select) est en position RUN.

5. Tourner le cadran Affichage/Programme (Display/Program) sur le réglage désiré comme indiqué sur l'afficheur DÉL.
6. Relâcher le bouton Réinitialiser/Programme (Reset/Program).
7. Remettre le sélecteur de mode (Mode Select) sur la position RUN.
8. Débrancher l'alimentation de 9 V et son connecteur.

Les messages d'erreur sont affichés sur l'afficheur DÉL à 3 chiffres quand des conditions anormales sont détectées. Le tableau 11 contient une liste des codes des messages d'erreur et leurs définitions.

Tableau 11 – Afficheur d'erreurs local

Message affiché	Description
oc	Déclenché en surintensité
SP	Déclenché en fonctionnement en mode monophasé
ub	Déclenché en déséquilibre de tension ou de courant
uC	Déclenché en sous-intensité
cF	Déclenché en défaillance de contacteur
GrF	Déclenché sur défaut à la terre
HI	Déclenché en surtension
Lo	Déclenché en sous-tension
rP	Phases d'arrivée inversées
oFF	Commande d'arrêt provenant d'une source à distance

Programmation à distance du Motor Logic Plus

La programmation à distance peut être utilisée pour la programmation d'un point de consigne et à des fins d'acquisition de données. Suivre les points ci-après pour configurer à distance le relais de surcharge de Motor Logic Plus (voir le tableau 12 pour une description des codes de ligne de commande indiqués dans les points.) :

1. Arrêter le relais de surcharge en envoyant le code « 02H » au registre de commande (C6H).
2. Si la programmation en réseau n'a pas été activée, envoyer le code « 05H » au registre de commande.
3. Programmer le paramètre approprié. Voir le tableau 13 à la page 129 pour obtenir la liste des registres avec une liste de paramètres. Pour obtenir des informations plus détaillées, consulter les directives d'utilisation n° 30072-013-102_. Voir le tableau 14 à la page 130 et le tableau 15 à la page 132 pour déterminer l'emplacement et l'adressage des paramètres dans la liste des registres de Motor Logic Plus.
4. Redémarrer le relais de surcharge en utilisant le code « 01H ».

Tableau 12 – Codes de ligne de commande

Code	Commande
01H	Démarrage/réinitialisation
02H	Arrêt
03H	Verrouillage de l'afficheur
04H	Déverrouillage de l'afficheur
05H	Activer programmation du réseau
06H	Désactiver programmation du réseau
07H	Activer le chien de garde du réseau★
08H	Désactiver le chien de garde du réseau★

★ La fonction de chien de garde du réseau désactive le relais de surcharge électronique Motor Logic Plus lorsque le dispositif ne reçoit pas de communication valide dans les 10 s.

Tableau 13 – Description des adresses de Motor Logic Plus

Fonctionnement	Adresse		Code	Description	Remarques
	RAM	Relative ★			
Lecture seulement (tous les registres sont à mots de 16 bits)	A0	1A0	VOLTAV	Moyenne de tension L–L	V~
	A2	1A1	IAVE	Moyenne de courant brut	A (x100, x10, x1), mult. par facteur d'échelle
	A4	1A2	VUB	Déséquilibre de tension	0 à 100 %
	A6	1A3	IUB	Déséquilibre de courant	0 à 100 %
	A8	1A4	PFANGLE	Angle du facteur de puissance	Degrés
	AA	1A5	CAPTY	Capacité thermique restante	0 à 100 %
	AC	1A6	GFC	Courant de défaut à la terre	A (x100, x10, x1), mult. par facteur d'échelle
	AE	1A7	ERCODE/TRIP RN	Erreur en temps réel (RTE) et indicateur de déclenchement (TI)	RTE à 8 bits codé en quartets; TI codé en 8 bits
	B0	1A8	FH	Historique des défauts	Ordre des défauts : 4ème, 3ème, 2ème, dernier
	B2	1A9	PID	Année de fabrication/modèle et échelle	Année à 8 bits; identification à 8 bits et échelle
	B4	1AA	VA-C	Tension de ligne A–C	V~
	B6	1AB	VB-C	Tension de ligne B–C	V~
	B8	1AC	VA-B	Tension de ligne A–B	V~
	BA	1AD	IC	Phase de courant brute C	A (x100, x10, x1), mult. par facteur d'échelle
	BC	1AE	IB	Phase de courant brute B	A (x100, x10, x1), mult. par facteur d'échelle
	BE	1AF	IA	Phase de courant brute A	A (x100, x10, x1), mult. par facteur d'échelle
	C0	1Bo	RD1	Retard de redémarrage restant RD1	
	C2	1B1	RD2	Retard de redémarrage restant RD2	
	C4	1B2	RD3	Retard de redémarrage restant RD3	
	C6	1B3	COMLINE	Code de ligne de commande (adresse C6H)	voir le tableau 12 (lecture seulement)
C8	1B4	Scale	Paramètre d'échelle PowerLogic® (lecture seulement)	0, 1, 2; mot signé de 16 bits (complément à 2, lecture seulement)	
CA	1B5	LV	Seuil de basse tension	170 V~ à HV (modèle 600 V~; 450 V~ a HV)	
CC	1B6	HV	Seuil de haute tension	LV à 528 V~ (modèle 600 V~; LV à 660 V~)	

★ Nécessaire pour le logiciel PowerLogic.

Tableau 13 – Description des adresses de Motor Logic Plus (a continué)

Fonctionnement	Adresse		Code	Description	Remarques
	RAM	Relative ★			
Lecture seulement (tous les registres sont à mots de 16 bits)	CE	1B7	VUB	Seuil de déséquilibre de tension	2 à 15 %, ou 999 (à l'arrêt)
	D0	1B8	MULT	Rapport des spires effectives	Selon le modèle
	D2	1B9	OC	Seuil de surintensité	Gamme de courant du RSCT
	D4	1BA	UC	Seuil de sous-intensité	0,5 x OC min à OC max, à l'arrêt
	D6	1BB	CUB	Seuil de déséquilibre de courant	2 à 25 %, ou 999 (à l'arrêt)
	D8	1BC	TC	Classe du déclenchement par surintensité	5, J5, 10, J10, 15, J15, 20, J20, 30, J30 (J = protection anti-blocage activée)
	DA	1BD	RD1	Temporisateur de cycle rapide	2 à 500 s
	DC	1BE	RD2	Retard de redémarrage RD2	2 à 500 minutes
	DE	1BF	RD3	Retard de redémarrage RD3	2 à 500 minutes
	E0	1C0	#RU	Redémarrages après UC	0, 1, 2, 3, 4, A
	E2	1C1	#RF	Nombre de redémarrages	0, 1, oc1, 2, oc2, 3, oc3, 4, oc4, A, ocA (0 = manuel, A = continu, oc = redémarr. auto. après l'expiration de RD2)
	E4	1C2	UCTD	Retard de déclench. de sous-intensité	2 à 60 s
	E6	1C3	GF	Seuil de courant de défaut à la terre	0,15 x OC min à 0,2 x OC max, à l'arrêt
E8	1C4	ADDR	Adresse esclave RS-485	01 à 99	

★ Nécessaire pour le logiciel PowerLogic.

Tableau 14 – Registres de lecture seulement

Adresse RAM	Adresse relative★	Code	Description	Remarques
A0	1A0	VOLTAV	Tension moyenne L-L	Volts
A2	1A1	IAVE	Moyenne de courant brut	A (x100, x10, x1), mult. par facteur d'échelle
A4	1A2	VUB★★	Déséquilibre de tension	0 à 100 %
A6	1A3	IUB★★	Déséquilibre de courant	0 à 100 %
A8	1A4	PFANGLE★	Angle du facteur de puissance	Degrés
AA	1A5	CAPTY★★	Capacité thermique restante	0 à 100 %
AC	1A6	GFC★★	Courant de défaut à la terre	A (x100, x10, x1), mult. par facteur d'échelle

★ Doit être utilisée avec le logiciel PowerLogic^{MC}

★★ Ne peut être visualisé qu'au moyen d'un réseau

Tableau 14 – Registres de lecture seulement (a continué)

Adresse RAM	Adresse relative★	Code	Description	Remarques		
				N° de bit	TRIPRN	ERCODE
AE	1A7	ERCODE/TRIPRN	Erreurs de bits en temps réel et indicateur de déclenchement	0	Verrouillage sur défaut	Basse tension
				1	Arrêt à distance	Haute tension
				2	Défaillance du contacteur	Déséquilibre de tension
				3	Sous-intensité	Sous-intensité
				4	Surintensité	Inversion de phase
				5	Défaut à la terre	Déséquilibre de courant
				6	Déséquilibre de courant	Tension monophasée > 25 %
				7	Courant monophasé > déséquilibre de 50 %	Courant monophasé > 50 %
B0	1A8	FH★★	Historique à 4 défauts NIBBLE_CODED (codés en quartets)	L'historique à quatre défauts est basé sur le schéma suivant : 16 15 14 13 12 11 10 9 8 7 6 5 4 3 2 1, bits 1 à 4 = Dernier défaut, bits 5 à 8 = 2ème dernier défaut, bits 9 à 12 = 3ème dernier défaut et bits 13 à 16 = 4ème dernier défaut. Ces quatre bits indiquent une valeur hexadécimale qui correspond aux défauts suivants :		
				01		Haute tension
				02		Basse tension
				03		s/o
				04		Défaillance du contacteur
				05		Inversion de phase
				06		Monophasé
				07		Défaut à la terre
				08		Déséquilibre de courant
				09		Commande d'arrêt à distance
				10		Surintensité
				11		Sous-intensité
B2	1A9	PID★★	Année, mois de fabrication, type du produit/échelle	Année 8 bits, mois 4 bits, E/S 4 bits et échelle		
B4	1AA	VA-C	Tension de ligne A–C	Volts		
B6	1AB	VB-C	Tension de ligne B–C	Volts		
B8	1AC	VA-B	Tension de ligne A–B	Volts		
BA	1AD	IC	Phase de courant brute C	A (x100, x10, x1), mult. par facteur d'échelle		
BC	1AE	IB	Phase de courant brute B	A (x100, x10, x1), mult. par facteur d'échelle		
BE	1AF	IA	Phase de courant brute A	A (x100, x10, x1), mult. par facteur d'échelle		
C0	1B0	RD1★★	Retard au redémarrage restant RD1	Secondes		
C2	1B1	RD2★★	Retard au redémarrage restant RD2	Secondes		
C4	1B2	RD3★★	Retard au redémarrage restant RD3	Secondes		

★ Doit être utilisée avec le logiciel PowerLogic^{MC}

★★ Ne peut être visualisé qu'au moyen d'un réseau

Tableau 15 – Registres de lecture/écriture

Adresse RAM	Adresse relative	Code	Description	Gamme	Valeur par défaut	
C6	1B3	COM-LINE	Ligne de commande★	Activation de réinitialisation/marche/arrêt, du verrouillage de l'afficheur, de la configuration du réseau	Registre des commandes du Motor Logic Plus (C6 hex)	
					01H	Démarrage/ réinitialisation
					02H	Arrêt
					03H	Verrouillage de l'afficheur
					04H	Déverrouillage de l'afficheur
					05H	Activation de la programmation du réseau
					06H	Désactivation de la programmation du réseau
C8	1B4	Scale	Paramètre d'échelle PowerLogic ^{MC}	0, 1, 1–2; mot signé de 16 bits (complément à 2, lecture seulement)	Selon le modèle	
CA	1B5	LV	Seuil de basse tension	170 V (450 V★) - réglage de HV	435	
CC	1B6	HV	Seuil de haute tension	Réglage de LV - 528 V (660 V★)	500	
CE	1B7	VUB	Seuil de déséquilibre de tension	2 à 15 % ou 999 %	5 %	
D0	1B8	MULT	TC/Rapport des spires effectives	1 ou 10 à 200	1	
D2	1B9	OC	Seuil de surintensité	Gamme de courant de surcharge	Val. nom. min.	
D4	1BA	UC	Seuil de sous-intensité	0,5 x OC min à OC max, à l'arrêt	0,8 x OC min.	
D6	1BB	CUB	Seuil de déséquilibre de courant	2 à 25 % ou 999 %	6 %	
D8	1BC	TC	Classe du déclenchement par surintensité	5, J5, 10, J10, 15, J15, 20, J20, 30, J30 (<i>J = protection anti-blocage activée</i>)	5	Valeur décimale 5
					J5	Valeur décimale 133
					10	Valeur décimale 10
					J10	Valeur décimale 138
					15	Valeur décimale 15
					J15	Valeur décimale 143
					20	Valeur décimale 20
					J20	Valeur décimale 148
					30	Valeur décimale 30
J30	Valeur décimale 158					
DA	1BD	RD1	Temporisateur de cycle rapide	2 à 500 secondes	10	
DC	1BE	RD2	Retard au démarrage, tous défauts sauf de sous-intensité	2 à 500 minutes	8	
DE	1BF	RD3	Retard au redémarrage après un défaut de sous-intensité	2 à 500 minutes	20	
E0	1C0	#RU	Nombre de redémarrages après un défaut de sous-intensité	0, 1, 2, 3, 4, A (automatique)	Valeurs de RU	
					8.1	0 à 4 en décimal
					8.2	A = 255 en décimal

★ Ne peut être visualisé qu'au moyen d'un réseau

Tableau 15 – Registres de lecture/écriture (a continué)

Adresse RAM	Adresse relative	Code	Description	Gamme	Valeur par défaut	
E2	1C1	#RF	Nombre de redémarrages, tous défauts sauf de sous-intensité	0, 1, oc1, 2, oc2, 3, oc3, 4, oc4, A, ocA (0 = manuel, A = continu, oc = redémarrage automatique après expiration de RD2)	Valeurs de RF	
					0	Valeur décimale 1
					1	Valeur décimale 2
					oc1	Valeur décimale 3
					2	Valeur décimale 4
					oc2	Valeur décimale 5
					3	Valeur décimale 6
					oc3	Valeur décimale 7
					4	Valeur décimale 8
					oc4	Valeur décimale 9
					A	Valeur décimale 10
ocA	Valeur décimale 11					
E4	1C2	UCTD	Retard de déclench. de sous-intensité	2 à 60 secondes	5	
E6	1C3	GF	Seuil de courant de défaut à la terre	(0,4) gamme de courant AOL ou arrêt (Off)	0,15 x min.	
E8	1C4	ADDR	Adresse esclave RS-485	01 à 99	1	

★ Ne peut être visualisé qu'au moyen d'un réseau

Contrôleur de gestion de moteur TeSys^{MC}

Figure 130 –Contrôleurs TeSys T



Modbus®



DeviceNet™



PROFIBUS



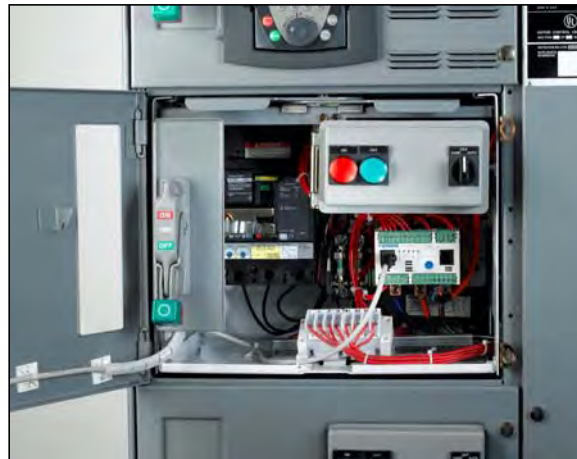
Ethernet



CANopen

Ce qui suit décrit les démarreurs de CCM munis d'un contrôleur de gestion de moteur TeSys T. Lire et comprendre les mesures de sécurité au début de ces directives avant d'installer, régler ou entreprendre l'entretien de ces unités. Pour obtenir tous les détails concernant l'installation des CCM, se reporter à la « Section 4—Installation des CCM » à la page 24.

Figure 131 –Unité de contrôle classée NEMA (TeSys T Modbus)



Applications de modernisation TeSys T

⚠ DANGER

RISQUE D'ÉLECTROCUTION, D'EXPLOSION OU D'ÉCLAIR D'ARC

- Portez un équipement de protection personnelle (ÉPP) approprié et observez les méthodes de travail électrique sécuritaire. Voir NFPA 70E ou CSA Z462.
- Seul un personnel qualifié doit effectuer l'installation et l'entretien de cet appareil.
- Coupez toutes les alimentations de l'appareil avant d'y travailler.
- Utilisez toujours un dispositif de détection de tension à valeur nominale appropriée pour vous assurer que l'alimentation est coupée.
- Remplacez tous les dispositifs, les portes et les couvercles avant de mettre l'appareil sous tension.

Si cette directive n'est pas respectée, cela entraînera la mort ou des blessures graves.

REMARQUE : Pour les applications de modernisation, contacter votre représentant des ventes local Schneider Electric pour de l'assistance. Schneider Electric n'assume aucune responsabilité dans la conception ou l'intégration de modernisations à moins d'avoir un accord par contrat pour le faire. Voir le bulletin de données Schneider Electric n° 8998DB1004 pour la modernisation du relais de surcharge transistorisé Motor Logic^{MC} Plus ou Motor Logic Plus II pour le système de gestion de moteurs TeSys^{MC} T.

Retirer le démarreur de l'unité pour remplacer le relais de surcharge (fusion d'alliage/bimétallique). Voir « Retrait de l'unité de contrôle » à la page 91.

Des borniers (OEKTTBML) doivent être utilisés pour des applications à deux vitesses qui nécessitent des passages multiples pour obtenir la gamme de réglage appropriée.

Retenir le câblage de charge en boucle entre le contrôleur TeSys T et le bornier avec des attache-fils ou l'équivalent lorsque des kits de bornes sont employés.

Sur les applications de 600 V, taille 1, ajouter une troisième attache-fil entre le disjoncteur et le contacteur près des cosses de ligne du contacteur. Se reporter aux directives d'utilisation 30072-013-29 pour obtenir des informations supplémentaires.

Utiliser seulement du fil en cuivre sur les bornes d'alimentation et de contrôle du dispositif. Les conducteurs doivent être sélectionnés pour les valeurs nominales de 60 °C ou 75 °C selon le National Electric Code[®] (Code national de l'électricité - É.-U.).

Les bornes à câble à pression conviennent aux câbles à simple conducteur de calibre 24 à 14 AWG, rigide ou toronné. Le calibre d'un câble à deux conducteurs est de 24 à 18 AWG. Les étiquettes de directives pour les bornes sont situées près du bornier ou sur la porte de la goulotte guide-fils.

Applications exigeant des passages de conducteurs

Il y a quelques applications qui exigent plus d'un passage de conducteurs à travers le contrôleur TeSys T.

- Toutes les applications NEMA taille 4 exigent trois passages par des transformateurs de courant (TC) séparément montés, classés 300:5.

- Certaines applications à deux vitesses à couple constant ou variable nécessitent deux passages par les fenêtres du TeSys T (TC), par lesquelles les conducteurs du moteur doivent passer avant d'être raccordés aux bornes de charge du contacteur (T1, T2 et T3). Ces applications à deux vitesses à couple constant ou variable sont pour les applications NEMA taille 1 (0,75 hp, 480 V) et pour toutes les applications NEMA taille 2. En autorisant plusieurs passages (tours) des conducteurs de charge par les fenêtres du TC, une protection peut être fournie pour des moteurs ayant un courant pleine charge plus faible que la gamme de fonctionnement spécifiée. Deux passages des fils de charge par chaque fenêtre augmentent en effet (d'un multiple de deux) le courant que le TeSys T détecte.
- Les trois fenêtres de conducteurs doivent avoir le même nombre de passages, mis en boucles dans le même sens, pour que le TeSys T fonctionne correctement.
- Les passages doivent commencer à partir du côté charge du TeSys T en passant par la fenêtre du TC et en revenant par les fenêtres fournies entre la plaque d'appui et le TeSys T. Le passage final se termine sur le côté charge du contacteur.
- Les unités CCM exigeant des passages multiples sont fournies avec les boucles mises en place à l'usine avec du fil de calibre 14 AWG et des borniers d'interposition. Se reporter à « Applications de modernisation TeSys T » à la page 135 pour obtenir des informations sur la modernisation.

Programmation locale du TeSys T

⚠ DANGER

RISQUE D'ÉLECTROCUTION, D'EXPLOSION OU D'ÉCLAIR D'ARC

- Portez un équipement de protection personnelle (ÉPP) approprié et observez les méthodes de travail électrique sécuritaire. Voir NFPA 70E ou CSA Z462.
- Coupez toute alimentation de l'appareil avant de travailler sur ou à l'intérieur du centre de commande de moteurs.
- Utilisez un dispositif de détection de tension à valeur nominale appropriée pour s'assurer que l'alimentation est coupée. Mettez l'unité de contrôle hors tension avant d'effectuer l'entretien du CCM.
- Le sectionneur de l'unité doit être cadenassé en position d'arrêt (O) avant de travailler sur le matériel.

Si cette directive n'est pas respectée, cela entraînera la mort ou des blessures graves.

La programmation locale peut être utilisée pour programmer un point de consigne et aux fins de lecture des erreurs. Configurer le TeSys T à l'aide du logiciel PowerSuite^{MC}, logiciel SoMove ou d'une interface homme-machine (IHM) (afficheur) pour régler les paramètres.

La feuille des réglages des paramètres donne la liste de tous les paramètres qui ont été réglés par l'usine, de façon spécifique à l'application de chaque dispositif. Tous réglages non indiqués sur la feuille des réglages des paramètres seront maintenus aux valeurs par défaut du dispositif. Pour remettre le contrôleur TeSys T à ses valeurs par défaut, appuyer sur le bouton Essai/Réinitialiser (Test/Reset) et le maintenir enfoncé pendant 16 à 20 secondes.

REMARQUE : Le TeSys T doit être sous tension pour la configuration.

Configuration avec une IHM

L'interface homme-machine peut être fournie soit comme option montée sur l'unité, soit comme kit de programmation séparé, portable, contenant une IHM et un câble de raccordement de 1 m (3,3 pi).

1. Raccorder l'IHM à l'unité TeSys T :
 - Si l'interface est fournie comme option montée sur l'unité, le raccordement sera effectué à l'usine.

ou

- Raccorder le kit de programmation directement au port « LTME ou HMI » à l'avant du contrôleur TeSys T.

ou

- Raccorder le kit de programmation au port optionnel RJ-45 monté sur l'unité.

2. Courant à pleine charge (CPC) d'entrée :

- À l'aide de l'IHM, aller au Menu>Protection Settings>Thermal>Thermal Overload>FLC1 (Menu>Réglages de protection>Thermique>Surcharge thermique>CPC1)

REMARQUE : Pour obtenir des détails supplémentaires, se reporter au *Manuel de l'utilisateur de l'unité de contrôle opérateur TeSys T LTM CU* et au *Manuel de l'utilisateur du contrôleur de gestion de moteur TeSys T LTM R* spécifique au protocole de communication de votre réseau. (Voir « Documentation sur les centres de commande de moteurs intelligents (CCMi) » à la page 16 pour les numéros des documents.)

Configuration avec le logiciel PowerSuite^{MC}

Le kit de logiciel PowerSuite contient un CD PowerSuite, un convertisseur USB-à-RS-485 et un câble de 3 m (10 pi).

1. Installer le logiciel PowerSuite sur votre PC.
2. Mettre l'interrupteur supérieur sur le convertisseur à la position 0-TER MULT.
3. Mettre l'interrupteur de polarisation sur le côté du convertisseur à la position d'arrêt (O).
4. Raccorder une extrémité du câble au port RJ-45 sur le convertisseur.
5. Raccorder l'autre extrémité du câble au contrôleur TeSys T.
6. Raccorder le connecteur USB sur le convertisseur à un port USB sur votre PC. (Le convertisseur utilise le driver UniTelway/Modbus qui est inclus avec PowerSuite.)
7. Régler le courant pleine charge (CPC)

Aller à Settings -> Thermal -> FLC1 (OC1) (Réglages>Thermique>CPC1 [SC1])

- Entrer FLC1 (CPC1) comme un pourcentage du CPC maximum.

8. Convertir les ampères en réglages de CPC

- Les valeurs du CPC sont stockées comme un pourcentage du CPC maximum dans le TeSys T :

$$\text{CPC (en \%)} = \text{CPC (en A)} / \text{CPC max.}$$

REMARQUE : Pour obtenir des détails sur le logiciel PowerSuite, se reporter au *manuel de l'utilisateur du contrôleur de gestion de moteur TeSys T LTM R*

spécifique au protocole de communication de votre réseau. Vérifier la configuration correcte du contrôleur TeSys T en fonction de votre application.

Configuration avec le logiciel SoMove

Pour obtenir des détails sur le logiciel SoMove, se reporter au *manuel de l'utilisateur du contrôleur de gestion de moteur TeSys T LTM R* spécifique au protocole de communication de votre réseau.

Appareil PowerLogic ION

Les instructions pour la programmation des appareils PowerLogic ION série 9000 sont disponibles dans le manuel d'utilisation Schneider Electric 7FR02-0390.

Puissancemètre PowerLogic^{MC}, série 800, 5500, 8000

Les directives pour la programmation locale et à distance pour le Puissancemètre série 800 sont contenues dans les directives d'utilisation Schneider Electric n° 63230-500-200 et n° 63230-500-224 (voir le tableau « Documentation sur les CCM » à la page 15).

Les directives pour la programmation locale et à distance pour le Puissancemètre série 5500 sont contenues dans le directive d'utilisation Schneider Electric n° HRB1684301 (voir le tableau « Documentation sur les CCM » à la page 15).

Les directives pour la programmation locale et à distance pour le Puissancemètre série 8000 sont contenues dans le directive d'utilisation Schneider Electric n° 7EN02-0336 (voir le tableau « Documentation sur les CCM » à la page 15).

Moniteur de circuits PowerLogic

Les directives pour la programmation locale et à distance pour le moniteur de circuits de la série 3000 ou 4000 sont contenues dans les directives d'utilisation Schneider Electric n° 63230-400-204 ou 63230-300-209, respectivement (voir le tableau « Documentation sur les CCM » à la page 15).

Altivar^{MC} 61/71

Pour effectuer la programmation d'un point de consigne localement, se reporter aux directives d'utilisation *atv71_Programming_Manual_EN* (voir le tableau « Documentation sur les CCM » à la page 15).

Pour effectuer la programmation d'un point de consigne à distance, se reporter aux directives d'utilisation *atv71_Parameters_EN* (voir le tableau « Documentation sur les CCM » à la page 15).

Altivar 630/930

Les directives pour la programmation locale et à distance pour le variateur de vitesse Altivar 630 sont contenues dans le directive d'utilisation Schneider Electric n° EAV64318 (voir le tableau « Documentation sur les CCM » à la page 15).

Les directives pour la programmation locale et à distance pour le variateurs de vitesse Altivar 930 sont contenues dans le directive d'utilisation Schneider Electric n° NHA80757 (voir le tableau « Documentation sur les CCM » à la page 15).

Altistart^{MC} 48

L'Altistart 48 est réglé à l'usine afin de fonctionner sans réglage pour de nombreuses applications. L'Altistart 48 est configuré avec les paramètres suivants :

Protocole	Adresse	Vitesse	Format	Parité
Modbus [®] RTU	Définie par le client	19 200 bauds	8 bits de données, 1 bit d'arrêt	Paire

Deux interrupteurs à l'arrière du terminal d'exploitation fournissent trois niveaux d'accès aux paramètres. Chacun peut être réglé pour éviter un réglage des paramètres, comme c'est le cas lors l'expédition de l'usine. Les paramètres sont verrouillés à l'usine afin d'éviter toute modification accidentelle. Pour régler les paramètres, il faut d'abord retirer le module de communication de la face avant de la porte de l'unité, puis changer les réglages des interrupteurs à micro-contact.

Disjoncteurs PowerPact^{MC} munis de déclencheurs Micrologic^{MC}

Les directives pour effectuer une programmation locale ou à distance des paramètres du déclencheur Micrologic peuvent être trouvées dans les directives d'utilisation 48940-313-01 Schneider Electric, *Disjoncteurs PowerPact^{MC} à châssis H, J et L avec déclencheurs Micrologic^{MC}—Guide de l'utilisateur.*

Adressage des dispositifs

Sauf indication contraire, les dispositifs CCM reçoivent des adresses commençant à 2.

Protocole	Nombre maximum de nœuds adressables	Gamme d'adresse	Adresse à éviter
Modbus	31	2–247	127
PROFIBUS	126	2–125	126
DeviceNet	64	2–62	63
CANopen	127	2–126	127

Logiciel

Un logiciel configurable—tel que PowerLogic^{MC} System Manager, Ecoeach, PowerSuite, Motor Logic Plus Solutions ou SoMove—est disponible pour la communication avec les composants intelligents du CCMi Modèle 6. Pour les directives de configuration, de fonctionnement et d'entretien, consulter le manuel de l'utilisateur fourni avec les logiciels.

Sécurité du réseau

▲ AVERTISSEMENT

COMPROMIS POTENTIEL DE DISPONIBILITÉ, D'INTÉGRITÉ ET DE CONFIDENTIALITÉ DU SYSTÈME

- Changez les mots de passe par défaut afin d'aider à prévenir un accès non autorisé aux réglages et informations du dispositif.
- Désactivez les points d'accès/services et comptes par défaut non utilisés, quand c'est possible, pour réduire au minimum les passages d'attaques malicieuses.
- Placez les dispositifs en réseau derrière des couches multiples de cybersécurité (telles que des coupe-feux, une segmentation du réseau et un système de détection d'intrusion dans le réseau).
- Utilisez les meilleures méthodes de cybersécurité (par exemple : moins de privilèges, la séparation des obligations) afin d'aider à prévenir une exposition non autorisée, une perte, une modification de données et de journaux, l'interruption de services ou un fonctionnement inattendu.

Failure to follow these instructions can result in death, serious injury, equipment damage, or data loss.

Section 10—Expansion

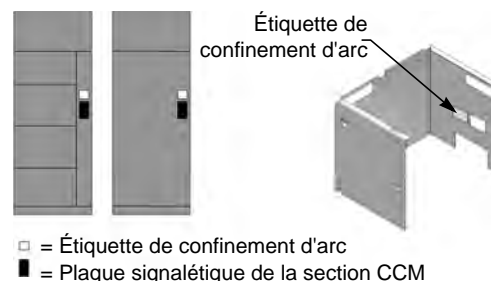
La conception modulaire des CCM permet une expansion facile pour un système électrique en expansion. Lorsque de l'espace est disponible dans un CCM existant, des unités de démarrage peuvent être ajoutées facilement. Lorsqu'il n'y a plus de place pour monter d'autres unités de démarrage, des sections verticales peuvent être ajoutées afin d'offrir des capacités d'installation supplémentaires. Tous les espaces préparés ou subsistants doivent être remplis à l'aide d'unités vides avec classification de confinement d'arc sur les CCM modèle 6 avec classification de confinement d'arc.

Les unités de démarrage peuvent être disposées différemment ou remplacées par des unités plus importantes. Dans la plupart des cas, une unité de démarrage de taille 2 peut remplacer une unité de taille 1 sans modification de l'espace de montage.

Directives de commande

REMARQUE : Les CCM avec classification de confinement d'arc ne doivent être étendus ou ajoutés qu'à des unités/sections avec protection contre les défauts d'arc pour maintenir la classification de confinement d'arc. Les unités et sections avec classification de confinement d'arc sont munies d'étiquettes spéciales les identifiant comme RA (confinement d'arc), typiquement aux endroits indiqués à la figure 132. Le client doit fournir le numéro de commande d'usine du CCM avec classification de confinement d'arc précédent lors d'une commande à l'usine d'un autre appareil CCM avec classification de confinement d'arc.

Figure 132 –Emplacements typiques de l'étiquette de confinement d'arc sur les sections ou unités



Lors d'une commande de matériel CCM supplémentaire, inclure les renseignements suivants :

- Type de matériel à fournir
- Tension d'alimentation, fréquence, type de système
- Type d'armoire
- Fini de l'armoire
- Tension et fréquence du circuit de contrôle
- Composants de circuit de contrôle optionnels requis (transformateurs de contrôle, boutons-poussoirs, voyants lumineux, sélecteurs, etc.)
- Caractéristiques spéciales
- Numéro de commande de l'usine du CCM d'origine (le numéro est estampé sur la plaque signalétique de la structure, sur la porte de la goulotte guide-fils)

verticale; l'étiquette d'unité à l'intérieur de chaque unité de contrôle contient également le numéro de commande de l'usine)

Lors d'une commande de nouvelles sections verticales, fournir également les renseignements suivants :

- Capacité des barres-bus horizontales et verticales, matériau et plaquage
- Entretoisage des barres-bus (ou courant de défaut disponible)
- Dimensions de l'armoire

⚠ DANGER

RISQUE D'ÉLECTROCUTION, D'EXPLOSION OU D'ÉCLAIR D'ARC

- Portez un équipement de protection personnelle (ÉPP) approprié et observez les méthodes de travail électrique sécuritaire. Voir NFPA 70E ou CSA Z462.
- Seul un personnel qualifié doit effectuer l'installation et l'entretien de cet appareil.
- Coupez l'alimentation de l'appareil avant d'y travailler.
- Utilisez toujours un dispositif de détection de tension ayant une valeur nominale appropriée pour vous assurer que l'alimentation est coupée.
- Remplacez tous les dispositifs, les portes et les couvercles avant de mettre l'appareil sous tension.

Si ces directives ne sont pas respectées, cela entraînera la mort ou des blessures graves.

Modification des unités CCM

La plupart des unités CCM sont conçues pour permettre un retrait facile de leur structure. Certaines unités ne sont pas détachables, principalement à cause de leur taille physique.

Mise hors tension de l'appareil et identification du type d'unité

Identifier si l'unité destinée à être modifiée est du type détachable ou fixe. Toutes les unités détachables possèdent des raccordements de pinces d'alimentation vers les barres-bus verticales comme indiqué sur les schémas électriques et schémas unifilaires fournis avec le CCM. La plupart des unités détachables sont également munies d'un mécanisme de cames avec manettes jumulées (figure 95 à la page 93). Une exception notable est l'unité de contrôle Compac 6 (figure 101 à la page 96), qui est détachable mais ne possède pas de mécanisme de cames avec manettes jumulées.

REMARQUE : Des modifications apportées à des unités ou structures de CCM avec classification de confinement d'arc peuvent malheureusement affecter les caractéristiques de confinement d'arc ou le fonctionnement. Des modifications au câblage des circuits de contrôle sont autorisées. Les modifications spécifiquement couvertes dans ces directives d'utilisation sont autorisées. Toutefois, des composants complémentaires, des changements au circuit d'alimentation ou des modifications mécaniques à la sellette de l'unité ou aux extérieurs du CCM doivent être approuvés par Schneider Electric. Contacter votre représentant des ventes local Schneider Electric pour de plus amples informations.

Si l'unité est détachable, suivre les directives ci-après. Si l'unité est fixe, suivre les directives pour « Modification des unités fixes » à la page 144.

Modification des unités détachables

1. Couper toutes les alimentations à cet appareil avant d'y travailler et observer toutes les procédures d'interverrouillage et d'étiquetage. Toujours utiliser un dispositif de détection de tension ayant une valeur nominale appropriée pour vous assurer que l'alimentation est coupée.
2. Retirer l'unité CCM de la structure. Voir la procédure pour l'« Entretien des unités de contrôle » à la page 90 de ces directives.
3. Effectuer les modifications requises. Utiliser des vis auto-taraudeuses pour monter les dispositifs. Ne pas utiliser des boulons et écrous qui peuvent se desserrer avec le temps et entraîner des dommages matériels ou des blessures. La quincaillerie ne doit pas s'étendre au-delà de l'arrière du panneau de l'unité de plus de 6 mm (0,25 po), ou au-delà des côtés et de la plaque inférieure de plus de 3 mm (0,125 po).

S'assurer qu'une distance d'isolement électrique¹ appropriée entre les pièces sous tension non isolées de polarité opposée et une pièce métallique exposée, non isolée et non sous tension est maintenue.

4. Utiliser un aspirateur pour enlever tous les débris laissés dans l'unité par suite des modifications. Ne pas employer d'air comprimé pour repousser les débris car il se pourrait qu'ils ne soient pas tous éliminés.
5. Effectuer les procédures d'entretien recommandées commençant à la page 90 de ces directives.
6. S'assurer que les écrans isolants de fermeture des barres-bus verticales sont en place (excepté où l'unité de contrôle se branchera sur les barres-bus verticales). Si d'autres écrans isolants de fermeture des barres-bus verticales ne sont pas en position correcte, s'assurer que toute alimentation est coupée des barres-bus verticales et réinstaller les écrans isolants de fermeture.
7. Utiliser un mégohmmètre pour effectuer un essai d'isolation comme décrit à la page 102.
8. Détecter et éliminer toutes obstructions qui ne permettraient pas une mise sous tension appropriée de l'unité CCM.
9. Réinstaller l'unité CCM et suivre les procédures pour la « Vérifier si les dégagements requis des obstructions ci-dessus et autour de l'appareil ont été respectés conformément aux exigences précisées dans ce document. » à la page 85 de ces directives.

¹ Les distances d'isolement électrique sont spécifiées dans la norme UL 845, tableaux 18 et 19. La distance d'isolement électrique dans un circuit de contrôle ou de mesure ou dans une unité de commande de moteurs (251 à 600 V) est de 10 mm (0,375 po) à l'air libre et de 13 mm (0,50 po) sur une surface; pour les circuits d'unités principales et d'alimentation, c'est 25 mm (1 po) à l'air libre et 51 mm (2 po) sur une surface.

Modification des unités fixes

1. Couper toutes les alimentations à cet appareil avant d'y travailler et observer toutes les procédures d'interverrouillage et d'étiquetage. Toujours utiliser un dispositif de détection de tension ayant une valeur nominale appropriée pour vous assurer que l'alimentation est coupée.
2. Si le perçage de trous à l'arrière de l'unité de contrôle est nécessaire, ne pas percer plus profondément que 5 mm (0,1875 po). Employer un arrêteur pour le foret dans cette procédure.
3. Effectuer les modifications requises. Utiliser des vis auto-taraudeuses pour monter les dispositifs. Ne pas utiliser de boulons et écrous qui peuvent se desserrer avec le temps et entraîner des dommages matériels ou des blessures. La quincaillerie ne doit pas s'étendre au-delà de l'arrière du panneau de l'unité de contrôle de plus de 6 mm (0,25 po), ou au-delà des côtés et de la plaque inférieure de plus de 3 mm (0,125 po).

S'assurer qu'une distance d'isolement électrique¹ appropriée entre les pièces sous tension non isolées de polarité opposée et une pièce métallique exposée, non isolée et non sous tension est maintenue.

4. Utiliser un aspirateur pour enlever tous les débris laissés dans l'unité par suite des modifications. Ne pas employer d'air comprimé pour repousser les débris car il se pourrait qu'ils ne soient pas tous éliminés.
5. Effectuer les procédures d'entretien recommandées commençant à la page 90 de ces directives.
6. Utiliser un mégohmmètre pour effectuer un essai d'isolation comme décrit à la page 102.
7. Suivre les procédures de la « Vérifier si les dégagements requis des obstructions ci-dessus et autour de l'appareil ont été respectés conformément aux exigences précisées dans ce document. » à la page 85.

¹ Les distances d'isolement électrique sont spécifiées dans la norme UL 845, tableaux 18 et 19. La distance d'isolement électrique dans un circuit de contrôle ou de mesure ou dans une unité de commande de moteurs (251 à 600 V) est de 10 mm (0,375 po) à l'air libre et de 13 mm (0,50 po) sur une surface; pour les circuits d'unités principales et d'alimentation, c'est 25 mm (1 po) à l'air libre et 51 mm (2 po) sur une surface.

Installation d'unités CCM supplémentaires

1. Couper toutes les alimentations à cet appareil avant d'y travailler et observer toutes les procédures d'interverrouillage et d'étiquetage. Toujours utiliser un dispositif de détection de tension ayant une valeur nominale appropriée pour vous assurer que l'alimentation est coupée.
2. Positionner la tablette médiane (figure 133, A) à l'endroit approprié de la structure.

REMARQUE : Les CCM avec classification de confinement d'arc sont munis d'une tablette médiane spécifiquement conçue pour les CCM avec classification de confinement d'arc (voir la figure 134 à la page 145). Cette tablette médiane comporte des trappes de décompression d'arc et doit être utilisée lors de l'installation d'unités CCM avec protection contre les défauts d'arc pour maintenir la classification de confinement d'arc.

Figure 133 –Installation de la tablette et la porte

Tableau 16 – Pièces du kit d'installation de la tablette

Description	Qté	Assembler selon	Art.
Tablette médiane	2 ^①	Points 2 et 3	A
Vis à tête plate	4	Point 3	D
Porte de l'unité	1	Point 4	F
Vis à tête hex.	4 ^③	Points 4 et 5	H
Réceptacle de la fermeture au quart de tour	2 ^③	Point 5	J

① La tablette est fournie avec la commande, et peut être déjà montée à sa place.

② Toute la quincaillerie nécessaire pour une installation de tablette typique est comprise. L'installation de la porte peut nécessiter une quincaillerie supplémentaire.

Figure 134 –Tablette médiane pour les CCM avec classification de confinement d'arc



FRANÇAIS

3. Placer le pied de montage (B) de la tablette dans les fentes de la cuve de montage (C). Fixer l'extrémité de la tablette, avec le pied de montage, sur le côté gauche et le côté droit à l'aide de vis à tête plate (détail A, D).
4. Installer les lames de charnières de la porte (détail A, E) dans les fentes pour charnières (G) du profilé d'angle de la structure. Fixer les lames de charnières au profilé d'angle de la structure à l'aide de vis à tête hex. (H).
5. Installer les réceptacles des fermetures (détail B, J) dans les fentes du support (K) et fixer à l'aide des vis à tête hex. (H).

Figure 135 –Découpe du passe-fils en caoutchouc de la goulotte guide-fils verticale (si fourni)



6. Si une goulotte guide-fils avec passe-fils en caoutchouc est fournie, localiser le passe-fils (voir la figure 135) le plus près du bas de l'unité de contrôle. Couper le passe-fil en suivant les directives qui y sont indiquées. Voir le deuxième paragraphe de « Câblage de charge et de contrôle » à la page 79.
7. Retirer les volets manuels des barres-bus (voir la figure 136) pour permettre l'insertion d'une nouvelle unité de contrôle; enlever le volet supérieure des barres-bus en le faisant coulisser.

REMARQUE : Ne pas enlever l'attache.

Figure 136 –Retrait de volet manuel des barres-bus



8. Insérer l'unité dans le CCM comme suit :

Toutes les unités sauf les unités Compact 6 (6 po de hauteur)

- a. S'assurer que le mécanisme des cames est en position ouverte; positionner les glissières de montage de l'unité de contrôle sur les fentes de la tablette médiane. Faire glisser l'unité vers l'intérieur pour engager le mécanisme des cames (voir la figure 137).

Figure 137 –Engagement du mécanisme des cames



- b. Appuyer sur les manettes vers l'intérieur jusqu'à ce qu'elles soient alignées avec la face avant du CCM (voir la figure 138).

Figure 138 –Manettes alignées avec la face avant du CCM



- c. Tourner la vis du loquet de blocage de l'unité de contrôle (si fourni) située au bas de la face avant de l'unité de contrôle (voir la figure 139), jusqu'à ce que le cliquet de blocage soit verrouillé sur la tablette de support sous l'unité de contrôle.

Figure 139 –Serrage du loquet de blocage de l'unité de contrôle (si fourni)

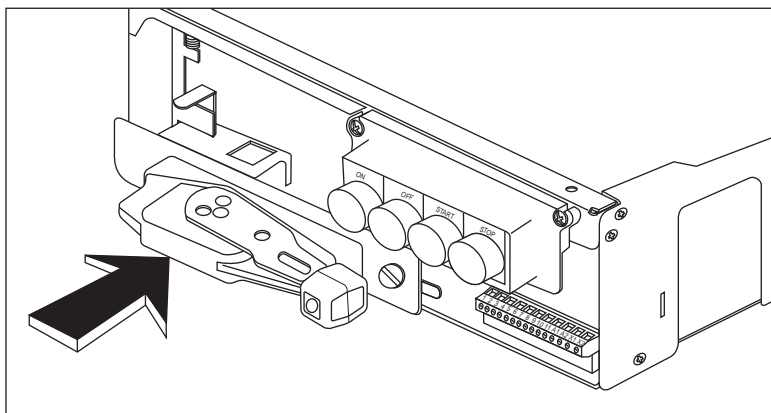


Unités Compac 6 (6 po de hauteur)

- a. Positionner les glissières de montage de l'unité de contrôle sur les fentes de la tablette médiane. Faire glisser l'unité vers l'intérieur jusqu'à ce qu'elle soit à moitié engagée, puis la pousser d'un mouvement rapide. Ce mouvement surmonte facilement la compression des lames de fixation alors qu'elles s'engagent dans la barre-bus verticale (figure 140).

REMARQUE : L'interverrouillage est armé par ressort et s'engage automatiquement lorsque l'unité est insérée d'une poussée ferme sur la manette de fonctionnement. Il n'est pas nécessaire d'appuyer sur le système de libération de l'interverrouillage de la structure.

Figure 140 –Réinstallation de l'unité de contrôle Compac 6



9. Tirer les fils d'alimentation de la goulotte guide-fils verticale à travers le passe-fils en caoutchouc et dans l'unité de contrôle.

Toutes les unités sauf les unités Compac 6 (6 po de hauteur)

- a. Connectez les fils d'alimentation aux bornes de puissance de l'unité de contrôle (voir la figure 141).

REMARQUE : Pour procurer un dégagement de travail supplémentaire, saisir la plaque du poste de contrôle sur le côté droit et tirer doucement, lui permettant de pivoter sur ses charnières pour s'ouvrir (figure 143 à la page 149).

Figure 141 –Fils d'alimentation raccordés aux bornes de puissance

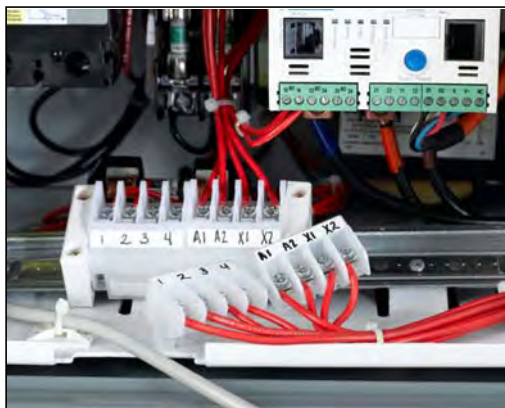
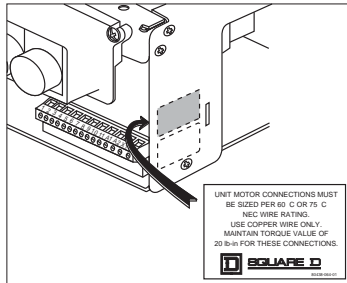


Figure 142 –Étiquette de couple de serrage d'une unité typique



Unités Compac 6 (6 po de hauteur)

- a. Raccorder les fils d'alimentation aux bornes d'alimentation du démarreur. Se reporter à l'étiquette des couples de serrage sur la cloison intérieure de droite de l'unité pour connaître les exigences de fils de bornes de charge et de couple de serrage (figure 142).

REMARQUE : Le retrait de la plaque du poste de contrôle peut être nécessaire pour installer le câblage d'alimentation et de contrôle. Pour les points détaillés, se reporter au point 4 à la page 96.

10. Tirer les fils de contrôle de la goulotte guide-fils verticale à travers le passe-fils en caoutchouc et les raccorder aux bornes de la partie supérieure (amovible) des borniers de contrôle (voir les figures 143 et 144).

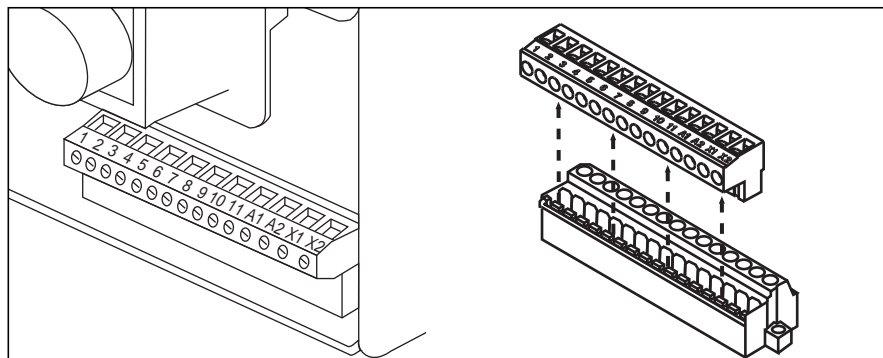
Toutes les unités sauf les unités Compac 6 (6 po de hauteur)

Figure 143 –Raccordement des fils de contrôle aux borniers



Unités Compac 6 (6 po de hauteur)

Figure 144 –Borniers détachables



Bornier des fils de contrôle de 10 A

- Pour séparer ou retirer la partie supérieure du bornier de sa base, saisir la moitié supérieure et tirer dessus comme indiqué.
- Chaque borne est homologuée pour un fil de calibre 16 à 12 AWG ou deux fils de calibre 16 AWG.
- Serrer les vis des bornes au couple de serrage de 5,6 N•m (5 lb-po).

REMARQUE : Si le retrait de la plaque du poste de contrôle a été nécessaire, la réinstaller en inversant les points utilisés pour son retrait (point 4 à la page 96).

11. Fermer la porte de l'unité et sécuriser les fermetures

Section 11—Dépannage

⚠ DANGER

RISQUE D'ÉLECTROCUTION, D'EXPLOSION OU D'ÉCLAIR D'ARC

- Portez un équipement de protection personnelle (ÉPP) approprié et observez les méthodes de travail électrique sécuritaire. Voir NFPA 70E ou CSA Z462.
- Seul un personnel qualifié doit effectuer l'installation et l'entretien de cet appareil.
- Coupez l'alimentation de l'appareil avant d'y travailler.
- Utilisez toujours un dispositif de détection de tension ayant une valeur nominale appropriée pour vous assurer que l'alimentation est coupée.
- Remplacez tous les dispositifs, les portes et les couvercles avant de mettre l'appareil sous tension.

Si ces directives ne sont pas respectées, cela entraînera la mort ou des blessures graves.

Le tableau suivant indique les problèmes rencontrés avec les CCM, leurs causes et les actions correctrices. Ce tableau est de nature générale et couvre seulement les causes principales de problèmes.

Une mauvaise application d'un dispositif peut entraîner des problèmes sérieux; toutefois, plutôt que d'indiquer cette cause ci-dessous de façon répétée, noter qu'une mauvaise application est une cause majeure de problèmes des commandes de moteurs et doit toujours être prise en considération quand un dispositif ne fonctionne pas correctement.

Les dommages physiques réels et pièces cassées peuvent être habituellement trouvés et remplacés rapidement. Un dommage causé par de l'eau ou des inondations exige un traitement spécial. Contacter votre représentant des ventes local Schneider Electric.

REMARQUE : Les CCM avec classification de confinement d'arc endommagés doivent être inspectés, réparés et qualifiés à nouveau par le personnel des services Schneider Electric pour maintenir la classification de confinement d'arc.

Tableau 17 – Tableau de dépannage des centres de commande de moteurs

Pièce	Problème	Cause	Action correctrice
Contacts	Pianotage des contacts (voir aussi Aimant bruyant)	1.Mauvais contact dans le circuit de contrôle. 2.Basse tension.	1.Remplacer le dispositif de contact ou utiliser un interverrouillage de circuit de retenue (contrôle à 3 fils). 2.Vérifier la tension aux bornes de la bobine et les micro-interruptions de tension pendant le démarrage.
	Soudage ou collage	1.Appel anormal de courant. 2.À-coups rapides. 3.Pression insuffisante des pointes. 4.Une basse tension empêche l'aimant de se sceller. 5.Des corps étrangers empêchent les contacts de se fermer. 6.Courts-circuits ou défaut à la terre	1.Rechercher s'il y a des mises à la terre, des courts-circuits, ou un courant de charge de moteur excessif, ou employer un contacteur de calibre supérieur. 2.Installer un contacteur de calibre supérieur convenant à un service par à-coups. 3.Remplacer les contacts et les ressorts. Vérifier si le porte-contacts est déformé ou endommagé. 4.Vérifier la tension aux bornes de la bobine et les micro-interruptions pendant le démarrage. 5.Nettoyer les contacts avec un nettoyant pour contacts sans danger pour l'environnement (sans CFC). 6.Corriger le défaut. S'assurer que les tailles des fusibles et disjoncteurs sont correctes.
	Durée de vie du déclencheur courte, ou surchauffe ou déclenchements	1.Limage ou polissage. 2.Interruption de courant excessivement haute. 3.À-coups excessifs. 4.Faible pression des pointes. 5.Saleté ou corps étranger sur la surface des contacts. 6.Court-circuit ou défaut à la terre 7.Raccordement desserré ou défaut dans le circuit d'alimentation. 8.Surcharge soutenue.	1.Ne pas limer les pointes d'argent; les endroits rugueux ou une décoloration ne gênent pas les pointes et n'affectent pas leur efficacité. 2.Installer un contacteur de calibre supérieur et vérifier s'il y a des mises à la terre, des courts-circuits ou un courant de charge de moteur excessif. 3.Installer un contacteur de calibre supérieur convenant à un service par à-coups. 4.Remplacer les contacts et les ressorts; vérifier si le porte-contacts est déformé ou endommagé. 5.Nettoyer les contacts avec un nettoyant pour contacts sans danger pour l'environnement (sans CFC). Réduire l'infiltration de corps étrangers dans l'armoire. 6.Corriger le défaut; s'assurer que les tailles des fusibles et disjoncteurs sont correctes. 7.Corriger et serrer le raccordement. 8.Vérifier si le courant de charge du moteur est excessif ou installer un contacteur de calibre supérieur.
Bobines	Circuit ouvert	Domage mécanique.	Remplacer la bobine; manipuler et entreposer les bobines de rechange avec soin.
	Bobine surchauffée	1.Surtension ou température ambiante élevée. 2.Bobine incorrecte. 3.Spires court-circuitées résultant d'un dommage mécanique ou d'une corrosion. 4.Sous-tension; échec de l'aimant à se sceller. 5.Saleté ou rouille sur les faces de pôles. 6.Obstruction mécanique.	1.Vérifier la tension aux bornes de la bobine. Elle ne doit pas dépasser 110 % de la valeur nominale de la bobine. 2.Installer la bobine correcte. 3.Remplacer la bobine. 4.Vérifier la tension aux bornes de la bobine. Elle ne doit pas être inférieure à 85 % de la valeur nominale de la bobine. 5.Nettoyer les faces de pôles. 6.L'alimentation étant <i>coupée</i> , vérifier si les contacts et l'assemblage de l'armature bougent librement.

Tableau 17 – Tableau de dépannage des centres de commande de moteurs (a continué)

Pièce	Problème	Cause	Action correctrice
Relais de surcharge thermique	Déclenchement	<ol style="list-style-type: none"> 1. Surcharge soutenue. 2. Raccordement desserré ou corrodé sur le circuit d'alimentation. 3. Unités thermiques incorrectes. 4. Tension excessive de la bobine. 	<ol style="list-style-type: none"> 1. Vérifier si le courant de charge du moteur est excessif ou s'il existe un déséquilibre de courant; corriger la cause. 2. Nettoyer et serrer le raccordement. 3. Remplacer les unités thermiques par la taille correcte pour l'application. 4. La tension ne doit pas dépasser 110 % de la valeur nominale de la bobine.
Relais de surcharge thermique	Échec de déclenchement	<ol style="list-style-type: none"> 1. Unités thermiques incorrectes. 2. Grippage mécanique, saleté, corrosion, etc. 3. Relais précédemment endommagé par un court-circuit. 4. Contact de relais soudé ou non en série avec la bobine du contacteur. 	<ol style="list-style-type: none"> 1. Vérifier le tableau de sélection des unités thermiques. Installer les unités thermiques appropriées. 2. Remplacer le relais et les unités thermiques. 3. Remplacer le relais et les unités thermiques. 4. Vérifier si le circuit a un défaut et corriger la condition. Remplacer le contact ou le relais en entier si nécessaire.
Relais de surcharge Motor Logic ^{MC}	Le relais de surcharge se déclenche à la mise en service (après plus de 3 secondes).	<ol style="list-style-type: none"> 1. Charge trop importante pour la puissance du moteur. 2. Classe erronée de déclencheur de surcharge sélectionnée pour l'application. 3. Réglage incorrect des ampères pleine charge (APC) du relais de surcharge. 4. Utiliser un frein électronique par injection de cc. 	<ol style="list-style-type: none"> 1. Retirer la charge en excès du moteur ou changer le moteur. 2. Utiliser un relais de surcharge d'un déclencheur de classe 20 au lieu d'un déclencheur de classe 10. 3. Ajuster les APC en fonction du courant de pleine charge du moteur. 4. Ne pas utiliser un frein électronique par injection de cc avec un relais de surcharge électronique.
	Le relais de surcharge se déclenche à la mise en service (en moins de 3 secondes).	<ol style="list-style-type: none"> 1. Fusible du circuit de dérivation du moteur fondu. 2. Circuit de dérivation du moteur lâche. 3. Le circuit du moteur n'est pas triphasé. 4. Déséquilibre de tension sur un dérivation. 5. Un ou plusieurs enroulements du moteur endommagé. 6. Perte de phase dans le primaire d'un transformateur étoile-triangle ou triangle-étoile. 7. Un ou plusieurs fils de charge ne sont pas acheminés par la fenêtre du relais ou sont acheminés dans le sens opposé. 8. Le nombre de passages de fils de charge est différent. 	<ol style="list-style-type: none"> 1. Remplacer les fusibles fondus du circuit de dérivation du moteur. 2. Serrer le raccordement du circuit de dérivation du moteur. 3. Sélectionner un type différent de relais de surcharge pour applications non triphasées. 4. Corriger le déséquilibre de tension sur le dérivation. 5. Vérifier l'impédance des enroulements du moteur. Rebobiner si nécessaire. 6. Remplacer les fusibles fondus ou resserrer les raccordements. 7. Faire passer chaque fil de charge par sa fenêtre respective dans le même sens. 8. Chaque fil de charge doit être mis en boucle avec le même nombre de passages.
	Le relais de surcharge se déclenche alors qu'il fonctionne normalement.	<ol style="list-style-type: none"> 1. La charge est trop importante pour la puissance du moteur. 2. Réglage incorrect des ampères pleine charge (APC) du relais de surcharge. 3. Utilisation d'un frein électronique par injection cc. 4. Réglage incorrect des APC du relais de surcharge (applications à passages multiples.) 	<ol style="list-style-type: none"> 1. Retirer la charge en excès du moteur ou changer le moteur. 2. Ajuster les APC en fonction du courant de pleine charge du moteur. 3. Ne pas utiliser un frein électronique par injection cc avec un relais de surcharge électronique. 4. Recalculer le réglage des APC et régler en fonction du courant pleine charge du moteur et du nombre de passages en boucle.

Tableau 17 – Tableau de dépannage des centres de commande de moteurs (a continué)

Pièce	Problème	Cause	Action correctrice
TeSys ^{MC} T	Défauts internes mineurs	Erreur de configuration non valide	Indique une mauvaise somme de contrôle (Config checksum error) ou une bonne somme de contrôle mais une mauvaise donnée (Invalid config error). Les deux causées par une défectuosité de logiciel. Effectuer les points suivants : 1. Mettre hors puis sous tension et attendre 30 s. 2. Régler la configuration aux réglages d'usine. 3. Si le défaut persiste, remplacer le TeSys T.
		Erreur de configuration de somme de contrôle (EEROM)	
		Panne de communication du réseau interne	
		Erreur de conversion A/N, hors plage	
	Erreurs de diagnostic	Contrôle de la commande de démarrage (Start)	Vérifier ce qui suit : • sorties de relais • tout le câblage, y compris : – circuit de câblage de contrôle, y compris tous les dispositifs électromécaniques – circuit de câblage d'alimentation, y compris tous les composants – câblage de charge du TC. Après avoir terminé toutes les vérifications: 1. Effectuer une remise à zéro des défauts. 2. Si le défaut persiste, mettre hors puis sous tension et attendre 30 s. 3. Si le défaut persiste encore, remplacer le TeSys T.
		Contrôle de la commande d'arrêt (Stop)	
		Compte-rendu d'écriture; arrêt (Stop)	
Compte-rendu d'écriture; marche (Run)			

Tableau 17 – Tableau de dépannage des centres de commande de moteurs (a continué)

Pièce	Problème	Cause	Action correctrice
TeSys ^{MC} T	Erreurs de câblage/configuration	Erreur d'inversion d'un TC	<p>Corriger la polarité des TC. S'assurer que :</p> <ul style="list-style-type: none"> tous les TC externes sont orientés dans le même sens tout le câblage de charge des TC passe par les fenêtres dans le même sens <p>Après avoir terminé toutes les vérifications :</p> <ol style="list-style-type: none"> Effectuer une remise à zéro des défauts. Si le défaut persiste, mettre hors puis sous tension et attendre 30 s. Si le défaut persiste encore, remplacer le TeSys T.
		Erreur d'inversion de phase de courant/tension	<p>Vérifier :</p> <ul style="list-style-type: none"> La connexion de câblage de L1, L2 et L3 pour s'assurer que les fils ne se croisent pas Le réglage des paramètres de séquence des phases (ABC face à ACB) <p>Après avoir terminé toutes les vérifications :</p> <ol style="list-style-type: none"> Effectuer une remise à zéro des défauts. Si le défaut persiste, mettre hors puis sous tension et attendre 30 s. Si le défaut persiste encore, remplacer le TeSys T.
		Erreur de configuration de phase	<p>Après avoir terminé toutes les vérifications :</p> <ol style="list-style-type: none"> Effectuer une remise à zéro des défauts. Si le défaut persiste, mettre hors puis sous tension et attendre 30 s. Si le défaut persiste encore, remplacer le TeSys T.
		Erreur de connexion de CTP (contrôle de température passif)	<p>Voir si il y a :</p> <ul style="list-style-type: none"> un court-circuit ou un circuit ouvert dans le câblage des détecteurs de température du moteur un mauvais type de dispositif de détection de température du moteur une configuration incorrecte des paramètres pour un dispositif sélectionné <p>Après avoir terminé toutes les vérifications :</p> <ol style="list-style-type: none"> Effectuer une remise à zéro des défauts. Si le défaut persiste, mettre hors puis sous tension et attendre 30 s. Si le défaut persiste encore, remplacer le TeSys T.
		Erreur de perte de phase de tension	<p>Rechercher les points suivants :</p> <ul style="list-style-type: none"> un câblage incorrect, tel que des terminaisons lâches ou défaites fusible fondu fil coupé un moteur monophasé configuré pour un fonctionnement triphasé un défaut de câblage d'un moteur monophasé devant passer par les deux fenêtres A et C du TC (côté charge) panne de source d'alimentation (par exemple, panne des services publics) <p>Après avoir terminé toutes les vérifications :</p> <ol style="list-style-type: none"> Effectuer une remise à zéro des défauts. Si le défaut persiste, mettre hors puis sous tension et attendre 30 s. Si le défaut persiste encore, remplacer le TeSys T.

Tableau 17 – Tableau de dépannage des centres de commande de moteurs (a continué)

Pièce	Problème	Cause	Action correctrice
Pièces magnétiques et mécaniques	Aimant bruyant	1. Bobine de déphasage cassée. 2. Saleté ou rouille sur les faces de l'aimant. 3. Basse tension	1. Remplacer l'aimant et l'armature. 2. Nettoyer l'aimant avec un chiffon propre et sec. 3. Vérifier la tension aux bornes de la bobine et les micro-interruptions de tension pendant le démarrage.
	Échec de l'appel et de scellement	1. Pas de tension de contrôle. 2. Basse tension 3. Obstruction mécanique. 4. Bobine ouverte ou surchauffée. 5. Incorrecte bobine.	1. Vérifier s'il y a des raccords desserrés ou une mauvaise continuité des contacts sur le câblage du circuit de contrôle. 2. Vérifier si la tension aux bornes de la bobine est correcte et vérifier les micro-interruptions de tension pendant le démarrage. 3. L'alimentation étant coupée, vérifier si le contact et l'assemblage de l'armature bougent librement. 4. Remplacer la bobine. 5. Remplacer la bobine.
	Échec de retombée	1. Substance gommeuse sur les faces des pôles. 2. Tension non retirée. 3. Pièces usées ou corrodées causant un grippage. 4. Magnétisme résiduel dû au manque d'entrefer de l'aimant. 5. Contacts soudés.	1. Nettoyer les faces des pôles avec un chiffon propre et sec. 2. Vérifier la tension aux bornes de la bobine et le circuit de contrôle. 3. Remplacer les pièces. 4. Remplacer l'aimant et l'armature. 5. Voir Contacts—Soudage et collage
Temporisateurs pneumatiques	Temporisation erratique	Corps étranger dans la soupape.	Remplacer la tête complète de temporisation, ou renvoyer le temporisateur à l'usine pour réparation et réglage.
	Les contacts ne fonctionnent pas	1. Mauvais réglage de la vis d'activation. 2. Pièces usées ou cassées dans l'interrupteur à rupture brusque.	1. Régler conformément aux directives du bulletin de service. 2. Remplacer l'interrupteur à rupture brusque.
Interrupteurs de position	Pièces cassées	Surcourse de l'actionneur.	Utiliser un actionneur tolérant, ou fonctionner dans les limites de tolérance du dispositif.
Démarrateurs manuels	Échec de réarmement	Mécanisme de verrouillage usé ou cassé.	Remplacer le démarreur.

Sélection des unités thermiques des relais de surcharge

Cette section identifie les unités thermiques des relais de surcharge nécessaires pour les démarreurs spécifiés dans une commande. Les tableaux sont basés sur le courant à pleine charge (A) des moteurs et donnent le numéro de catalogue des unités thermiques appropriées à utiliser à ce courant nominal.

Tableaux de sélection des unités thermiques de relais de surcharge en alliage fusible pour les démarreurs combinés

Taille 1

Courant à pleine charge du moteur (A)	N° de l'unité thermique	Courant à pleine charge du moteur (A)	N° de l'unité thermique
0,56 à 0,63	B 0.81	4,12 à 4,70	B 6.90
0,64 à 0,68	B 0.92	4,71 à 5,21	B 7.70
0,69 à 0,77	B 1.03	5,22 à 5,53	B 8.20
0,78 à 0,85	B 1.16	5,54 à 6,17	B 9.10
0,86 à 0,97	B 1.30	6,18 à 7,02	B 10.2
0,98 à 1,09	B 1.45	7,03 à 7,92	B 11.5
1,10 à 1,21	B 1.67	7,93 à 8,61	B 12.8
1,22 à 1,33	B 1.88	8,62 à 9,17	B 14
1,34 à 1,53	B 2.10	9,18 à 10,0	B 15.5
1,54 à 1,73	B 2.40	10,1 à 11,0	B 17.5
1,74 à 1,89	B 2.65	11,1 à 11,8	B 19.5
1,90 à 2,17	B 3.00	11,9 à 13,5	B 22
2,18 à 2,53	B 3.30	13,6 à 15,3	B 25
2,54 à 2,87	B 3.70	15,4 à 17,4	B 28
2,88 à 3,22	B 4.15	17,5 à 19,4	B 32
3,23 à 3,49	B 4.85	19,5 à 22,2	B 36
3,50 à 3,85	B 5.50	22,3 à 25,1	B 40
3,86 à 4,11	B 6.25	25,2 à 27,0	B 45

Taille 3

Courant à pleine charge du moteur (A)	N° de l'unité thermique	Courant à pleine charge du moteur (A)	N° de l'unité thermique
14.0–14.9	CC 20.9	36.9–39.8	CC 59.4
15.0–16.2	CC 22.8	39.9–42.3	CC 64.3
16.3–17.2	CC 24.6	42.4–45.7	CC 68.5
17.3–18.7	CC 26.3	45.8–49.2	CC 74.6
18.8–20.2	CC 28.8	49.3–52.8	CC 81.5
20.3–21.7	CC 31.0	52.9–56.8	CC 87.7
21.8–23.3	CC 33.3	56.9–61.2	CC 94.0
23.4–25.2	CC 36.4	61.3–66.1	CC 103
25.3–27.1	CC 39.6	66.2–71.2	CC 112
27.2–29.4	CC 42.7	71.3–76.7	CC 121
29.5–31.6	CC 46.6	76.8–82.9	CC 132
31.7–34.0	CC 50.1	83.0–90.0	CC 143
34.1–36.8	CC 54.5		

Taille 2

Courant à pleine charge du moteur (A)	N° de l'unité thermique	Courant à pleine charge du moteur (A)	N° de l'unité thermique
3,94 à 4,45	B 6.90	14,0 à 15,8	B 25
4,46 à 4,97	B 7.70	15,9 à 17,9	B 28
4,98 à 5,28	B 8.20	18,0 à 19,9	B 32
5,29 à 5,97	B 9.10	20,0 à 22,8	B 36
5,98 à 6,89	B 10.2	22,9 à 25,4	B 40
6,90 à 7,92	B 11.5	25,5 à 28,9	B 45
7,93 à 8,71	B 12.8	29,0 à 30,8	B 50
8,72 à 9,27	B 14.0	30,9 à 32,5	B 56
9,28 à 10,2	B 15.5	32,6 à 34,9	B 62
10,3 à 11,4	B 17.5	35,0 à 39,7	B 70
11,5 à 12,3	B 19.5	39,8 à 44,7	B 79
12,4 à 13,9	B 22		

Taille 4

Courant à pleine charge du moteur (A)	N° de l'unité thermique	Courant à pleine charge du moteur (A)	N° de l'unité thermique
44.0–46.8	CC 64.3	73.0–78.1	CC 112
46.9–50.6	CC 68.5	78.2–83.9	CC 121
50.7–54.5	CC 74.6	84.0–91.1	CC 132
54.6–58.4	CC 81.5	91.2–97.5	CC 143
58.5–62.9	CC 87.7	97.6–104	CC 156
63.0–67.7	CC 94.0	105–113	CC 167
67.8–72.9	CC 103	114–133	CC 180

Tableaux de sélection des unités thermiques de relais de surcharge en alliage fusible pour les démarreurs combinés (suite)

Taille 5 avec relais de surcharge sans TC

Courant à pleine charge du moteur (A)	N° de l'unité thermique	Courant à pleine charge du moteur (A)	N° de l'unité thermique
88,2 à 95,1	DD 112	171 à 180	DD 220
95,2 à 101	DD 121	181 à 197	DD 240
102 à 111	DD 128	198 à 204	DD 250
112 à 119	DD 140	205 à 213	DD 265
120 à 131	DD 150	214 à 237	DD 280
132 à 149	DD 160	238 à 243	DD 300
150 à 170	DD 185	244 à 266	DD 320

Taille 5 avec relais de surcharge avec TC et disjoncteurs

Courant à pleine charge du moteur (A)	N° de l'unité thermique	Courant à pleine charge du moteur (A)	N° de l'unité thermique
40,8 à 45,5	B 1.03	115 à 128	B 3.00
45,6 à 49,9	B 1.16	129 à 140	B 3.30
51,0 à 57,5	B 1.30	141 à 160	B 3.70
57,6 à 65,9	B 1.45	161 à 193	B 4.15
66,0 à 73,1	B 1.67	194 à 209	B 4.85
73,2 à 81,5	B 1.88	210 à 232	B 5.50
81,6 à 92,3	B 2.10	233 à 248	B 6.25
92,4 à 104	B 2.40	249 à 266	B 6.90
105 à 114	B 2.65		

Taille 5 avec relais de surcharge avec TC et sectionneurs à fusibles

Courant à pleine charge du moteur (A)	N° de l'unité thermique	Val. nom. max. du fusible (A)	Courant à pleine charge du moteur (A)	N° de l'unité thermique	Val. nom. max. du fusible (A)
40,8 à 45,5	B 1.03	90	115 à 128	B 3.00	250
45,6 à 49,9	B 1.16	100	129 à 140	B 3.30	250
51,0 à 57,5	B 1.30	110	141 à 160	B 3.70	300
57,6 à 65,9	B 1.45	125	161 à 193	B 4.15	350
66,0 à 73,1	B 1.67	125	194 à 209	B 4.85	400
73,2 à 81,5	B 1.88	150	210 à 232	B 5.50	400
84,6 à 92,3	B 2.10	175	233 à 248	B 6.25	400
92,4 à 104	B 2.40	200	249 à 266	B 6.90	400
105 à 114	B 2.65	225			

Taille 6

Courant à pleine charge du moteur (A)	N° de l'unité thermique	Courant à pleine charge du moteur (A)	N° de l'unité thermique
133 à 148	B 1.30	272 à 308	B 2.65
149 à 174	B 1.45	309 à 348	B 3.00
175 à 195	B 1.67	349 à 397	B 3.30
196 à 219	B 1.88	398 à 429	B 3.70
220 à 239	B 2.10	430 à 495	B 4.15
240 à 271	B 2.40	496 à 520	B 4.85

Tableaux de sélection des unités thermiques de relais de surcharge en alliage fusible pour les démarreurs combinés pour moteurs à enroulements partagés

Taille 1

Courant à pleine charge du moteur (A)	N° de l'unité thermique	Courant à pleine charge du moteur (A)	N° de l'unité thermique
1.12–1.27	B 0.81	8.24–9.41	B 6.90
1.28–1.37	B 0.92	9.42–10.43	B 7.70
1.38–1.55	B 1.30	10.44–11.07	B 8.20
1.56–1.71	B 1.16	11.08–12.35	B 9.10
1.72–1.95	B 1.30	12.36–14.05	B 10.2
1.96–2.19	B 1.45	14.06–15.85	B 11.5
2.20–2.43	B 1.67	15.86–17.23	B 12.8
2.44–2.67	B 1.88	17.24–18.35	B 14
2.68–3.07	B 2.10	18.36–20.1	B 15.5
3.08–3.47	B 2.40	20.2–22.1	B 17.5
3.48–3.79	B 2.65	22.2–23.7	B 19.5
3.80–4.35	B 3.00	23.8–27.1	B 22
4.36–5.07	B 3.30	27.2–30.7	B 25
5.08–5.75	B 3.70	30.8–34.9	B 28
5.76–6.45	B 4.15	35.0–38.9	B 32
6.46–6.99	B 4.85	39.0–44.5	B 36
7.00–7.71	B 5.50	44.6–50.3	B 40
7.72–8.23	B 6.25	50.4–54.0	B 45

Taille 3

Courant à pleine charge du moteur (A)	N° de l'unité thermique	Courant à pleine charge du moteur (A)	N° de l'unité thermique
28,0 à 29,9	CC 20.9	73,8 à 79,7	CC 59.4
30,0 à 32,5	CC 22.8	79,8 à 84,7	CC 64.3
32,6 à 34,5	CC 24.6	84,8 à 91,5	CC 68.5
34,6 à 37,5	CC 26.3	91,6 à 98,5	CC 74.6
37,6 à 40,5	CC 28.8	98,6 à 105,7	CC 81.5
40,6 à 43,5	CC 31.0	105,8 à 113,7	CC 87.7
43,6 à 46,7	CC 33.3	113,8 à 122,5	CC 94.0
46,8 à 50,5	CC 36.4	122,6 à 132,3	CC 103
50,6 à 54,3	CC 39.6	132,4 à 142,5	CC 112
54,4 à 58,9	CC 42.7	142,6 à 153,5	CC 121
59,0 à 63,3	CC 46.6	153,6 à 165,9	CC 132
63,4 à 68,1	CC 50.1	166,0 à 180,0	CC 143
68,2 à 73,7	CC 54.5		

Taille 2

Courant à pleine charge du moteur (A)	N° de l'unité thermique	Courant à pleine charge du moteur (A)	N° de l'unité thermique
7.88–8.91	B 6.90	24.8–27.9	B 22
8.92–9.95	B 7.70	28.0–31.7	B 25
9.96–10.57	B 8.20	31.8–35.9	B 28
10.58–11.95	B 9.10	36.0–39.9	B 32
11.96–13.79	B 10.2	40.0–45.7	B 36
13.80–15.85	B 11.5	45.8–50.9	B 40
15.86–17.43	B 12.8	51.0–61.7	B 45
17.44–18.55	B 14.0	61.8–65.1	B 50
18.56–20.5	B 15.5	65.2–69.9	B 56
20.6–22.9	B 17.5	70.0–79.5	B 62
23.0–24.7	B 19.5	79.6–89.4	B 70

Taille 4

Courant à pleine charge du moteur (A)	N° de l'unité thermique	Courant à pleine charge du moteur (A)	N° de l'unité thermique
105 à 112	CC 74.6	170 à 181	CC 132
113 à 122	CC 81.5	182 à 195	CC 143
123 à 131	CC 87.7	196 à 209	CC 156
132 à 142	CC 94.0	210 à 227	CC 167
143 à 153	CC 103	228 à 247	CC 180
154 à 157	CC 112	248 à 266	CC 196
158 à 169	CC 121		

Tableaux de sélection des unités thermiques de relais de surcharge en alliage fusible pour les démarreurs combinés pour moteurs à enroulements partagés (suite)
Taille 5 avec relais de surcharge sans TC

Courant à pleine charge du moteur (A)	N° de l'unité thermique	Courant à pleine charge du moteur (A)	N° de l'unité thermique
176 à 190	DD 112	342 à 361	DD 220
191 à 203	DD 121	362 à 395	DD 240
204 à 223	DD 128	396 à 409	DD 250
224 à 239	DD 140	410 à 427	DD 265
240 à 253	DD 150	428 à 475	DD 289
254 à 299	DD 160	476 à 487	DD 300
300 à 341	DD 185	488 à 532	DD 320

Taille 5 avec relais de surcharge avec TC et disjoncteurs

Courant à pleine charge du moteur (A)	N° de l'unité thermique	Courant à pleine charge du moteur (A)	N° de l'unité thermique
81,6 à 91,1	B 1.03	230 à 257	B 3.00
91,2 à 101	B 1.16	258 à 281	B 3.30
102 à 115	B 1.30	282 à 321	B 3.70
116 à 131	B 1.45	322 à 387	B 4.15
132 à 146	B 1.67	388 à 419	B 4.85
147 à 163	B 1.84	420 à 465	B 5.50
164 à 184	B 2.10	466 à 497	B 6.25
185 à 209	B 2.40	496 à 532	B 6.90
210 à 229	B 2.65		

Taille 5 avec relais de surcharge avec TC et sectionneurs à fusibles

Courant à pleine charge du moteur (A)	N° de l'unité thermique	Courant à pleine charge du moteur (A)	N° de l'unité thermique
81,6 à 91,1	B 1.03	230 à 257	B 3.00
91,2 à 101	B 1.16	258 à 281	B 3.30
102 à 115	B 1.30	282 à 321	B 3.70
116 à 131	B 1.45	322 à 387	B 4.15
132 à 146	B 1.67	388 à 419	B 4.35
147 à 163	B 1.88	420 à 465	B 5.60
164 à 184	B 2.10	466 à 497	B 6.25
185 à 209	B 2.40	498 à 532	B 6.90
210 à 229	B 2.65		

Tableaux de sélection des unités thermiques de relais de surcharge bimétallique avec compensation pour la température ambiante pour les démarreurs combinés

Taille 1

Courant à pleine charge du moteur (A)	N° de l'unité thermique	Courant à pleine charge du moteur (A)	N° de l'unité thermique
0,57 à 0,60	AR 1.05	3,46 à 3,81	AR 5.8
0,61 à 0,66	AR 1.15	3,82 à 4,20	AR 6.4
0,67 à 0,73	AR 1.26	4,21 à 4,65	AR 7.0
0,74 à 0,81	AR 1.39	4,66 à 5,29	AR 7.7
0,82 à 0,90	AR 1.53	5,30 à 5,84	AR 8.5
0,91 à 1,05	AR 1.68	5,85 à 6,27	AR 9.3
1,06 à 1,15	AR 1.85	6,28 à 6,97	AR 10.2
1,16 à 1,25	AR 2.04	6,98 à 7,59	AR 11.2
1,26 à 1,35	AR 2.24	7,60 à 7,89	AR 12.4
1,36 à 1,47	AR 2.46	7,90 à 8,95	AR 13.6
1,48 à 1,58	AR 2.71	8,96 à 10,3	AR 15.4
1,59 à 1,74	AR 2.98	10,4 à 11,7	AR 17.6
1,75 à 1,94	AR 3.28	11,8 à 13,3	AR 20.5
1,95 à 2,20	AR 3.62	13,4 à 15,2	AR 23
2,21 à 2,47	AR 3.98	15,3 à 17,2	AR 27
2,48 à 2,76	AR 4.37	17,3 à 19,7	AR 30
2,77 à 3,07	AR 4.80	19,8 à 22,4	AR 35
3,08 à 3,45	AR 5.3	22,5 à 26,0	AR 40

Taille 2

Courant à pleine charge du moteur (A)	N° de l'unité thermique	Courant à pleine charge du moteur (A)	N° de l'unité thermique
4,24 à 4,62	AR 8.5	16,5 à 18,9	AR 35
4,63 à 5,05	AR 9.3	19,0 à 21,6	AR 40
5,06 à 5,54	AR 10.2	21,7 à 23,3	AR 44
5,55 à 6,13	AR 11.2	23,4 à 24,9	AR 47
6,14 à 6,44	AR 12.4	25,0 à 26,9	AR 51
6,45 à 7,48	AR 13.6	27,0 à 29,1	AR 55
7,49 à 8,55	AR 15.4	29,2 à 31,3	AR 60
8,56 à 9,74	AR 17.6	31,4 à 33,5	AR 66
9,75 à 11,1	AR 20.5	33,6 à 36,9	AR 72
11,2 à 12,7	AR 23	37,0 à 39,1	AR 79
12,8 à 14,4	AR 27	39,2 à 40,9	AR 86
14,5 à 16,4	AR 30	41,0 à 45,0	AR 94

Taille 3

Courant à pleine charge du moteur (A)	N° de l'unité thermique	Courant à pleine charge du moteur (A)	N° de l'unité thermique
27,1 à 30,0	E 67	47,0 à 51,5	E 74
30,1 à 33,2	E 69	51,6 à 57,0	E 76
33,3 à 35,7	E 70	57,1 à 62,8	E 77
35,8 à 39,4	E 71	62,9 à 69,1	E 78
39,5 à 43,4	E 72	69,2 à 75,0	E 79
43,5 à 46,9	E 73	75,1 à 83,3	E 80

Taille 4

Courant à pleine charge du moteur (A)	N° de l'unité thermique	Courant à pleine charge du moteur (A)	N° de l'unité thermique
50 à 55,9	E 88	82 à 86,9	E 96
56 à 60,9	E 89	87 à 92,9	E 97
61 à 65,9	E 91	93 à 97,9	E 98
66 à 69,9	E 92	98 à 107,9	E 99
70 à 75,9	E 93	108 à 113,9	E 101
76 à 81,9	E 94	114 à 125,9	E 102

Taille 5

Courant à pleine charge du moteur (A)	N° de l'unité thermique	Courant à pleine charge du moteur (A)	N° de l'unité thermique
105 à 116	AR 3.28	166 à 184	AR 4.80
117 à 132	AR 3.62	185 à 207	AR 5.3
133 à 148	AR 3.98	208 à 229	AR 5.8
149 à 165	AR 4.37	230 à 266	AR 6.4

Taille 6

Courant à pleine charge du moteur (A)	N° de l'unité thermique	Courant à pleine charge du moteur (A)	N° de l'unité thermique
146 à 169	AR 1.68	280 à 311	AR 3.28
170 à 185	AR 1.85	312 à 353	AR 3.62
186 à 201	AR 2.04	354 à 396	AR 3.98
202 à 217	AR 2.24	397 à 442	AR 4.37
218 à 236	AR 2.46	443 à 492	AR 4.80
237 à 253	AR 2.71	493 à 520	AR 5.3
254 à 279	AR 2.98		

Tableaux de sélection des unités thermiques de relais de surcharge bimétallique avec compensation pour la température ambiante pour les démarreurs combinés pour moteurs à enroulements partagés

Taille 1

Courant à pleine charge du moteur (A)	N° de l'unité thermique	Courant à pleine charge du moteur (A)	N° de l'unité thermique
1,14 à 1,21	AR 1.05	6,92 à 7,63	AR 5.8
1,22 à 1,33	AR 1.15	7,64 à 8,41	AR 6.4
1,34 à 1,47	AR 1.26	8,42 à 9,31	AR 7.0
1,48 à 1,63	AR 1.39	9,32 à 10,59	AR 7.7
1,64 à 1,81	AR 1.53	10,60 à 11,69	AR 8.5
1,82 à 2,11	AR 1.68	11,70 à 12,55	AR 9.3
2,12 à 2,31	AR 1.85	12,56 à 13,95	AR 10.2
2,32 à 2,51	AR 2.04	13,96 à 15,19	AR 11.2
2,52 à 2,71	AR 2.24	15,20 à 15,79	AR 12.4
2,72 à 2,95	AR 2.46	15,80 à 17,91	AR 13.6
2,96 à 3,17	AR 2.71	17,92 à 20,7	AR 15.4
3,18 à 3,49	AR 2.98	20,8 à 23,5	AR 17.6
3,50 à 3,89	AR 3.28	23,6 à 26,7	AR 20.5
3,90 à 4,41	AR 3.62	26,8 à 30,5	AR 23
4,42 à 4,95	AR 3.98	30,6 à 34,5	AR 27
4,96 à 5,53	AR 4.37	34,6 à 39,5	AR 30
5,54 à 6,15	AR 4.80	39,6 à 44,9	AR 35
6,16 à 6,91	AR 5.30	45,0 à 52,0	AR 40

Taille 2

Courant à pleine charge du moteur (A)	N° de l'unité thermique	Courant à pleine charge du moteur (A)	N° de l'unité thermique
8,48 à 9,25	AR 8.5	33,0 à 37,9	AR 35
9,26 à 10,11	AR 9.3	38,0 à 43,3	AR 40
10,12 à 11,09	AR 10.2	43,4 à 46,7	AR 44
11,10 à 12,27	AR 11.2	46,8 à 49,9	AR 47
12,28 à 12,89	AR 12.4	50,0 à 53,9	AR 51
12,90 à 14,97	AR 13.6	54,0 à 58,3	AR 55
14,98 à 17,11	AR 15.4	58,4 à 62,7	AR 60
17,12 à 19,49	AR 17.6	62,8 à 67,1	AR 66
19,50 à 22,3	AR 20.5	67,2 à 73,8	AR 72
22,4 à 25,5	AR 23	74,0 à 78,3	AR 79
25,6 à 28,9	AR 27	78,4 à 81,9	AR 86
29,0 à 32,9	AR 30	82,0 à 90,0	AR 94

Taille 3

Courant à pleine charge du moteur (A)	N° de l'unité thermique	Courant à pleine charge du moteur (A)	N° de l'unité thermique
54,2 à 60,1	E 67	94,0 à 103,1	E 74
60,2 à 66,5	E 69	103,2 à 114,1	E 76
66,6 à 71,5	E 70	114,2 à 125,7	E 77
71,6 à 78,9	E 71	125,8 à 138,3	E 78
79,0 à 86,9	E 72	138,4 à 150,1	E 79
87,0 à 93,9	E 73	150,2 à 166,6	E 80

Taille 4

Courant à pleine charge du moteur (A)	N° de l'unité thermique	Courant à pleine charge du moteur (A)	N° de l'unité thermique
100 à 111,9	E 88	164 à 173,9	E 96
112 à 121,9	E 89	174 à 185,9	E 97
122 à 131,9	E 91	186 à 195,9	E 98
132 à 139,9	E 92	196 à 215,9	E 99
140 à 151,9	E 93	216 à 227,9	E 101
152 à 163,9	E 94	228 à 251,9	E 102

Taille 5

Courant à pleine charge du moteur (A)	N° de l'unité thermique	Courant à pleine charge du moteur (A)	N° de l'unité thermique
210 à 233	AR 3.28	332 à 369	AR 4.8
234 à 265	AR 3.62	370 à 415	AR 5.3
266 à 297	AR 3.98	416 à 459	AR 5.8
298 à 331	AR 4.37	460 à 532	AR 6.4

Section 13—Remplacement de disjoncteurs et interrupteurs à fusibles

REMARQUE : Sur les unités d'embrochage à porte fermée (CDR), Schneider Electric ne recommande pas le remplacement sur place du disjoncteur par le client par suite de la complexité de construction de l'unité CDR. Prière de contacter les services Schneider Electric pour remplacer le disjoncteur dans l'unité CDR.

Pour les disjoncteurs à châssis F et K et interrupteurs à fusible de 100/200 A, Schneider Electric recommande de remplacer l'assemblage de sectionneur entier au lieu du disjoncteur ou de l'interrupteur à fusible. L'assemblage du sectionneur comprend le mécanisme de fonctionnement et le disjoncteur ou interrupteur approprié.

Le remplacement de l'assemblage du sectionneur entier nécessite le retrait de trois vis (deux du côté gauche de l'assemblage et une à l'intérieur de l'arrière de l'assemblage). Cette procédure est beaucoup plus simple et rapide que de remplacer un disjoncteur ou interrupteur individuel.

Consulter les directives Schneider Electric *Remplacement d'un assemblage de sectionneur* (80439-666-01) pour les directives d'installation d'un assemblage de sectionneur.

⚠ DANGER

RISQUE D'ÉLECTROCUTION, D'EXPLOSION OU D'ÉCLAIR D'ARC

- Portez un équipement de protection personnelle (ÉPP) approprié et observez les méthodes de travail électrique sécuritaire. Voir NFPA 70E ou CSA Z462.
- Seul un personnel qualifié doit effectuer l'installation et l'entretien de cet appareil.
- Coupez l'alimentation de l'appareil avant d'y travailler.
- Utilisez toujours un dispositif de détection de tension ayant une valeur nominale appropriée pour vous assurer que l'alimentation est coupée.
- Remplacez tous les dispositifs, les portes et les couvercles avant de mettre l'appareil sous tension.

Si ces directives ne sont pas respectées, cela entraînera la mort ou des blessures graves.

Pour les disjoncteurs PowerPact^{MC} à châssis H et J, et TeSys^{MC} à châssis B, commander un disjoncteur de rechange seulement. Pour remplacer le disjoncteur :

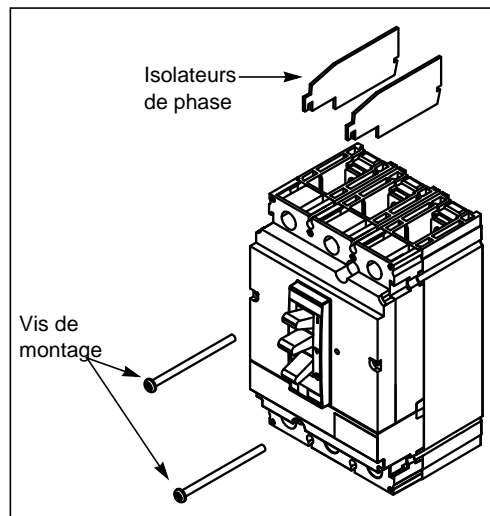
1. Couper toutes les alimentations à cet appareil avant d'y travailler et observer toutes les procédures d'interverrouillage et d'étiquetage. Toujours utiliser un dispositif de détection de tension ayant une valeur nominale appropriée pour vous assurer que l'alimentation est coupée.
2. Retirer l'unité de contrôle du CCM. Voir « Retrait de l'unité de contrôle » à la page 91.
3. Ouvrir les onglets d'isolateurs de ligne.
4. Desserrer les vis d'arrêt sur les cosses des côtés ligne et charge. Détacher les fils des côtés ligne et charge.
5. Enlever les deux vis de montage du disjoncteur (voir la figure 145 à la page 164).
6. Retirer le disjoncteur de l'unité.

7. Retirer les isolateurs de phase du disjoncteur (voir la figure 145).
8. Déballez le disjoncteur neuf.
9. Réinstaller les isolateurs de phase du disjoncteur dans les emplacements prévus sur le disjoncteur.

REMARQUE : Le point 9 ne s'applique pas aux disjoncteurs PowerPact à châssis B.

10. Placer le disjoncteur dans la cuve de montage, en faisant attention à ce que l'isolateur de ligne soit en position sous le disjoncteur. Fixer le disjoncteur à l'aide des deux vis de montage fournies.
11. Insérer les fils de ligne et de charge dans les cosses du disjoncteur. Serrer les vis d'arrêt des cosses à la valeur de couple de serrage indiquée sur le disjoncteur.
12. Fermer les onglets d'isolateurs de ligne.
13. Réinstaller l'unité de contrôle dans le CCM. Fermer et verrouiller la porte.

Figure 145 –Remplacement du disjoncteur



Toujours utiliser des dispositifs de rechange des mêmes type et valeur nominale que le dispositif démonté. L'utilisation d'un type différent de sectionneur ou d'une valeur nominale différente peut altérer les valeurs de court-circuit du centre de commande de moteurs.

Contactez le groupe d'assistance technique (GAT) pour les CCM avant d'installer un disjoncteur d'une valeur nominale différente. Voir l'annexe D—Assistance technique à la page 189 pour le numéro du GAT pour les CCM.

Annexe A—Retrait et installation des écrans isolants des barres-bus horizontales

Cette annexe contient les directives d'installation et de retrait des écrans isolants des barres-bus horizontales dans les centres de commande de moteurs Modèle 6 de 381 mm (15 po) et 508 mm (20 po) de profondeur fabriqués par Schneider Electric. Ces écrans isolants consistent en deux panneaux coulissants.

⚠ DANGER

RISQUE D'ÉLECTROCUTION, D'EXPLOSION OU D'ÉCLAIR D'ARC

- Portez un équipement de protection personnelle (ÉPP) approprié et observez les méthodes de travail électrique sécuritaire. Voir NFPA 70E ou CSA Z462.
- Seul un personnel qualifié doit effectuer l'installation et l'entretien de cet appareil.
- Coupez l'alimentation de l'appareil avant d'y travailler.
- Utilisez toujours un dispositif de détection de tension ayant une valeur nominale appropriée pour vous assurer que l'alimentation est coupée.
- Remplacez tous les dispositifs, les portes et les couvercles avant de mettre l'appareil sous tension.

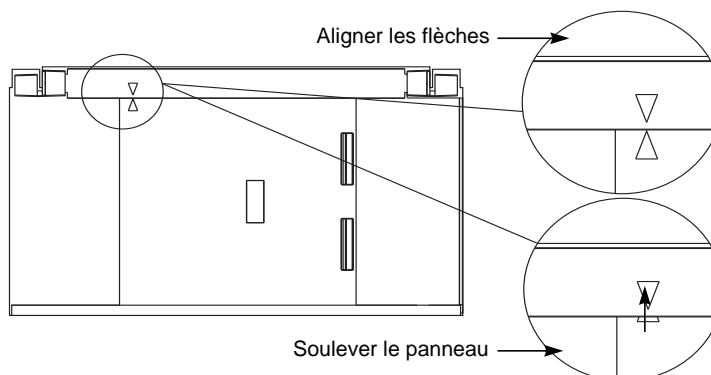
Si ces directives ne sont pas respectées, cela entraînera la mort ou des blessures graves.

FRANÇAIS

Retrait

1. Couper toutes les alimentations à cet appareil avant d'y travailler et observer toutes les procédures d'interverrouillage et d'étiquetage. Toujours utiliser un dispositif de détection de tension ayant une valeur nominale appropriée pour vous assurer que l'alimentation est coupée.
2. D'une main, faire glisser le panneau de gauche vers la droite jusqu'à ce qu'il se déboîte du panneau de droite.
3. Aligner les flèches du panneau de gauche et du guide supérieur comme indiqué à la figure 146. Soulever la panneau pour le dégager du guide inférieur et le retirer.
4. Aligner les flèches du panneau de droite et du guide supérieur comme indiqué à la figure 146. Soulever le panneau pour le dégager du guide inférieur et le retirer.

Figure 146 –Alignement des flèches des panneaux



Installation

REMARQUE : L'écran isolant des barres-bus horizontales contient deux panneaux identiques avec des flèches à la partie supérieure. La « poignée » du panneau de gauche est orientée vers la face avant de la section du CCM. La « cavité pour poignée » du panneau de droite est orientée vers la face avant de la section du CCM (figure 147).

1. Couper toutes les alimentations à cet appareil avant d'y travailler et observer toutes les procédures d'interverrouillage et d'étiquetage. Toujours utiliser un dispositif de détection de tension ayant une valeur nominale appropriée pour vous assurer que l'alimentation est coupée.
2. Aligner les flèches du panneau de droite et du guide supérieur comme indiqué à la figure 148.
3. Soulever le panneau pour le placer dans la rainure arrière du guide supérieur.
4. Abaisser le panneau dans la rainure arrière du guide inférieur.
5. Faire glisser le panneau complètement vers la droite.
6. Aligner les flèches du panneau de gauche et du guide supérieur.
7. Répéter les points 3 et 4 avec le panneau de gauche et la rainure avant.
8. Faire glisser le panneau vers la gauche jusqu'à ce qu'il se verrouille (s'emboîte) en place.
9. Vérifier si l'écran isolant est complètement fermé en s'assurant que le compartiment de câblage est isolé du compartiment des barres-bus.

Figure 147 –Panneau de droite (vue latérale)

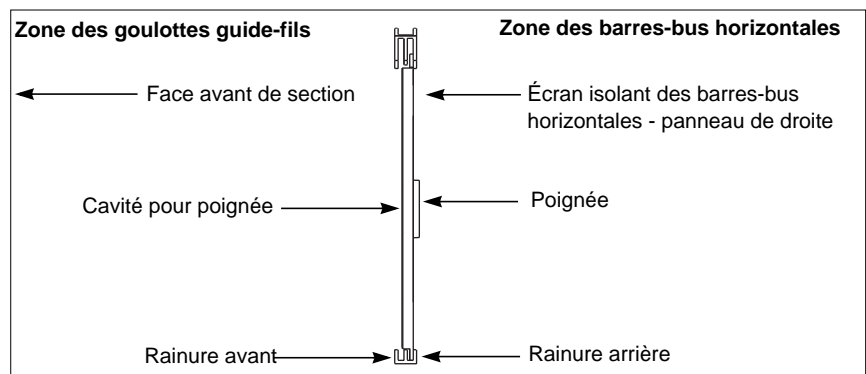
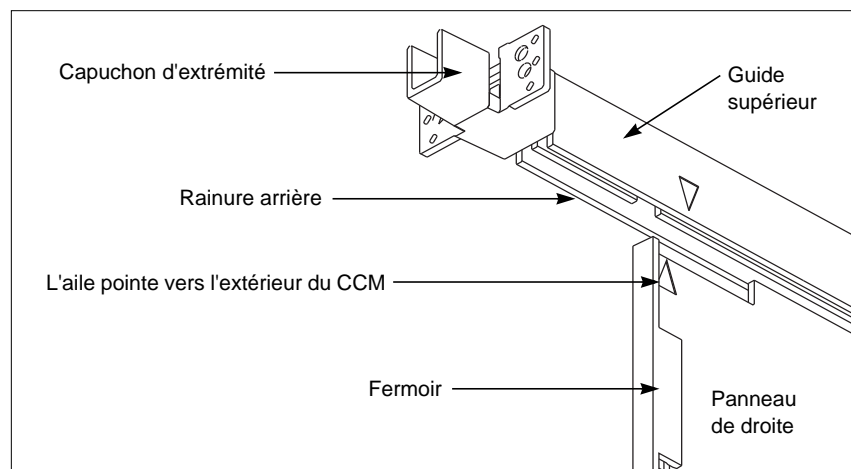


Figure 148 –Installation du panneau de droite dans la rainure arrière



Écran isolant fixe

⚠ DANGER

RISQUE D'ÉLECTROCUTION, D'EXPLOSION OU D'ÉCLAIR D'ARC

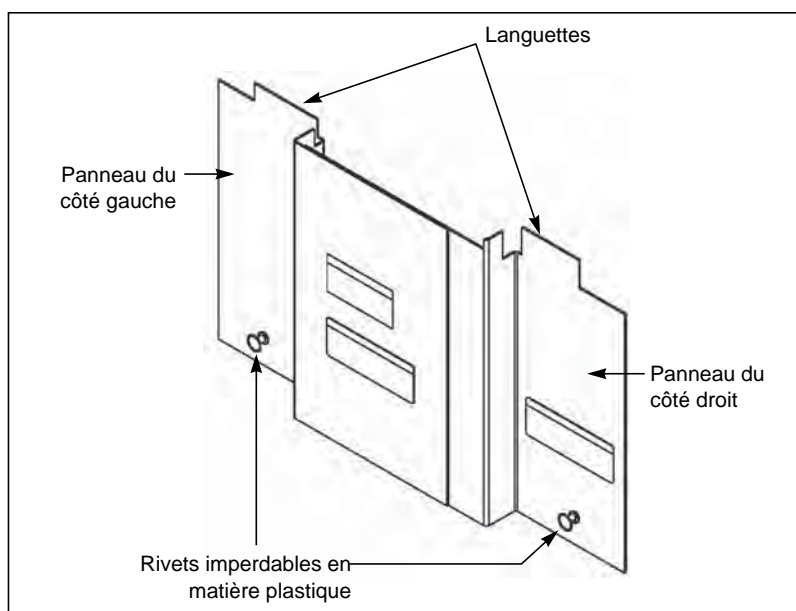
- Portez un équipement de protection personnelle (ÉPP) approprié et observez les méthodes de travail électrique sécuritaire. Voir NFPA 70E ou CSA Z462.
- Seul un personnel qualifié doit effectuer l'installation et l'entretien de cet appareil.
- Coupez toutes les alimentations de l'appareil avant d'y travailler.
- Utilisez toujours un dispositif de détection de tension à valeur nominale appropriée pour vous assurer que l'alimentation est coupée.
- Remplacez tous les dispositifs, les portes et les couvercles avant de mettre l'appareil sous tension.

Si cette directive n'est pas respectée, cela entraînera la mort ou des blessures graves.

Retrait

1. Couper toutes les alimentations à cet appareil avant d'y travailler et observer toutes les procédures d'interverrouillage et d'étiquetage. Toujours utiliser un dispositif de détection de tension à valeur nominale appropriée pour s'assurer que l'alimentation est coupée.
2. Un rivet imperdable au bas de chaque panneau d'écran isolant de barre-bus sécurise les panneaux aux supports de montage sur le CCM (voir la figure 149 et les figures 150 et 151 à la page 170).

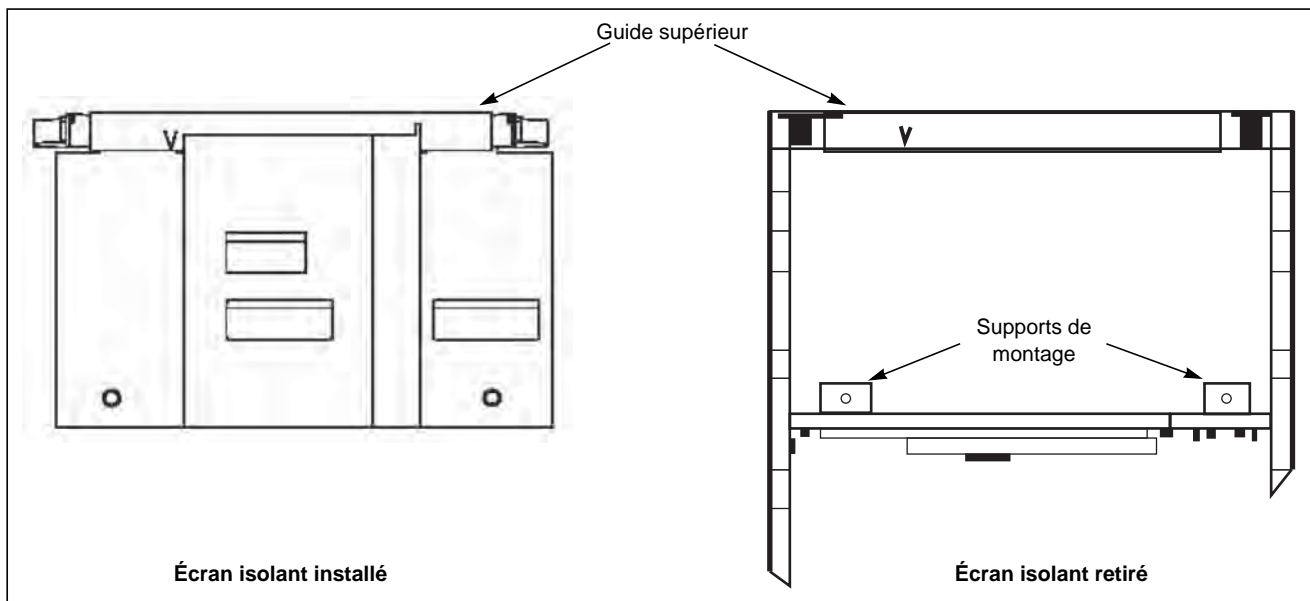
Figure 149 –Écran isolant de barres-bus horizontales fixe



3. Tenir fermement la tête du rivet du côté gauche et tirer jusqu'à ce que le rivet se libère du support de montage.
4. Tirer sur le bas du panneau du côté gauche jusqu'à ce que l'onglet au haut du panneau soit dégagé du guide supérieur (voir la figure 150 à la page 170).

5. Retirer le panneau du CCM.
6. Répéter les points 3 à 5 pour le panneau du côté droit.

Figure 150 – Installation et démontage de l'écran isolant de barres-bus horizontales



Installation

1. Couper toutes les alimentations à cet appareil avant d'y travailler et observer toutes les procédures d'interverrouillage et d'étiquetage. Toujours utiliser un dispositif de détection de tension à valeur nominale appropriée pour s'assurer que l'alimentation est coupée.
2. Insérer l'onglet sur le panneau du côté droit dans le guide supérieur sur le côté droit du CCM et l'installer en place (voir la figure 149 à la page 169 et la figure 150).
3. Sécuriser le panneau du côté droit en poussant le rivet fermement dans le trou du support de montage.
4. Répéter les points 2 et 3 pour le panneau du côté gauche.

Figure 151 –Écran isolant installé et retiré



Installé



Retiré

Annexe B—Kit de modernisation pour écrans isolants des barres-bus horizontales

Cette annexe contient les directives d'installation de kits de modernisation pour écrans isolants de barres-bus horizontales fabriqués par Schneider Electric. Ces kits sont à utiliser dans les centres de commande de moteurs Modèles 5 et 6 de 381 mm (15 po) et 508 mm (20 po) de profondeur.

⚠ DANGER

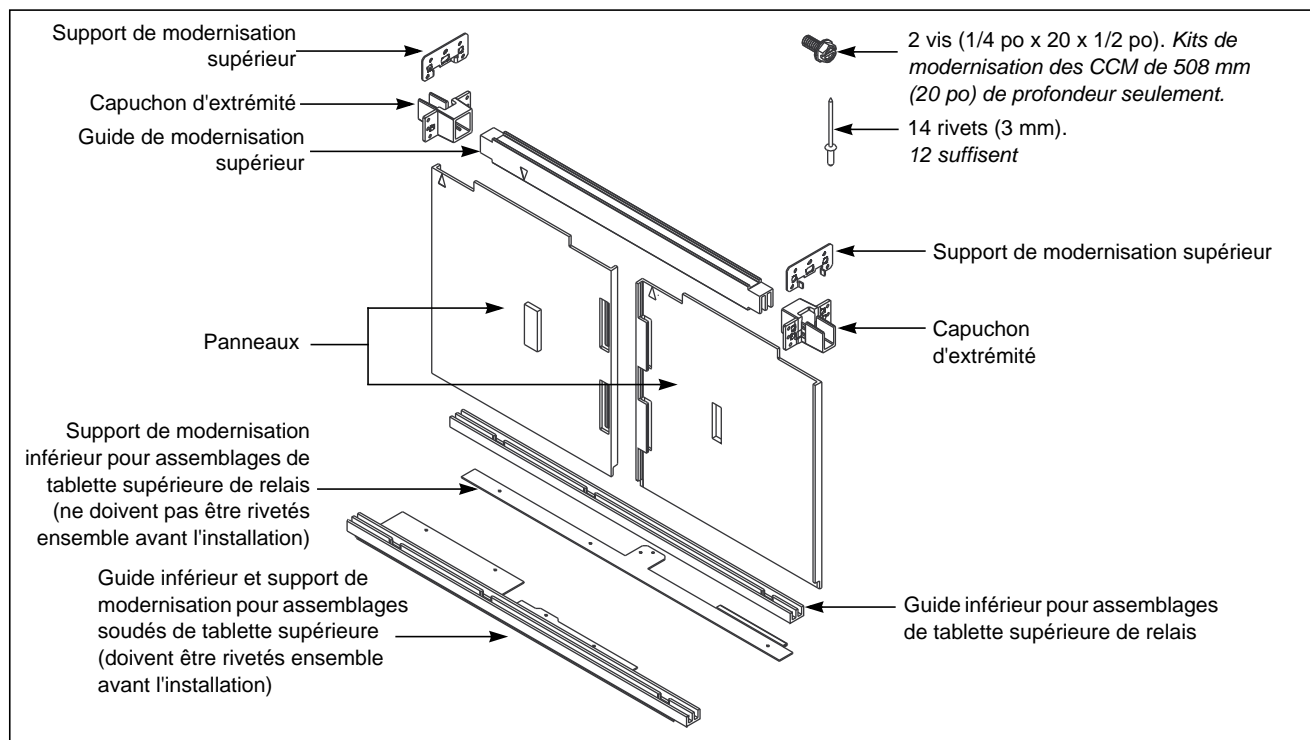
RISQUE D'ÉLECTROCUTION, D'EXPLOSION OU D'ÉCLAIR D'ARC

- Portez un équipement de protection personnelle (ÉPP) approprié et observez les méthodes de travail électrique sécuritaire. Voir NFPA 70E ou CSA Z462.
- Seul un personnel qualifié doit effectuer l'installation et l'entretien de cet appareil.
- Coupez l'alimentation de l'appareil avant d'y travailler.
- Utilisez toujours un dispositif de détection de tension ayant une valeur nominale appropriée pour vous assurer que l'alimentation est coupée.
- Après avoir retiré les rivets et les vis, assurez-vous qu'il ne subsiste pas de particules dans le compartiment.
- Remplacez tous les dispositifs, les portes et les couvercles avant de mettre l'appareil sous tension.

Si ces directives ne sont pas respectées, cela entraînera la mort ou des blessures graves.

FRANÇAIS

Figure 152 – Composants du kit de modernisation



Retrait des composants existants

Suivre ces directives pour retirer le couvercle de la goulotte guide-fils horizontale supérieure, les écrans isolants des barres-bus, les unités sous la tablette supérieure et les supports existants (CCM de 381 mm de profondeur - 15 po) :

Couvercle de la goulotte guide-fils horizontale

1. Couper toutes les alimentations à cet appareil avant d'y travailler et observer toutes les procédures d'interverrouillage et d'étiquetage. Toujours utiliser un dispositif de détection de tension ayant une valeur nominale appropriée pour vous assurer que l'alimentation est coupée.
2. Retirer les vis qui fixent le couvercle de la goulotte guide-fils horizontale supérieure à la structure, puis retirer le couvercle.

Écrans isolants des barres-bus horizontales

1. Retirer la vis située à la partie supérieure des écrans isolants en deux pièces.
2. Retirer la vis située à la partie inférieure des écrans isolants en deux pièces.

Extraire les deux écrans isolants métalliques du CCM et les jeter.

3. Unités sous la tablette supérieure

Le cas échéant, retirer l'unité enfichable sous la tablette supérieure (figure 153 à la page 173).

Consulter le manuel d'installation et d'entretien du CCM Modèle 5 (n° 8998IM9101R5/92) ou « Retrait de l'unité de contrôle » à la page 91 de ces directives d'utilisation pour trouver les directives de retrait. Si nécessaire, contacter votre représentant des ventes local Schneider Electric pour obtenir ces directives.

Supports existants : CCM de 381 mm (15 po) de profondeur seulement

Si le CCM est d'une profondeur de 381 mm (15 po), utiliser un foret de 3 mm (1/8 po) pour chasser les rivets qui maintiennent en place les supports de droite et de gauche des écrans isolants des barres-bus horizontales (figure 153 à la page 173). Jeter les supports après leur retrait.

REMARQUE : Jeter tous les supports de modernisation si le support « B » de l'écran existant (figure 153) est présent sur le CCM de 381 mm (15 po) de profondeur. Tous les trous sont déjà présents pour permettre le montage direct de l'écran isolant des barres-bus horizontales.

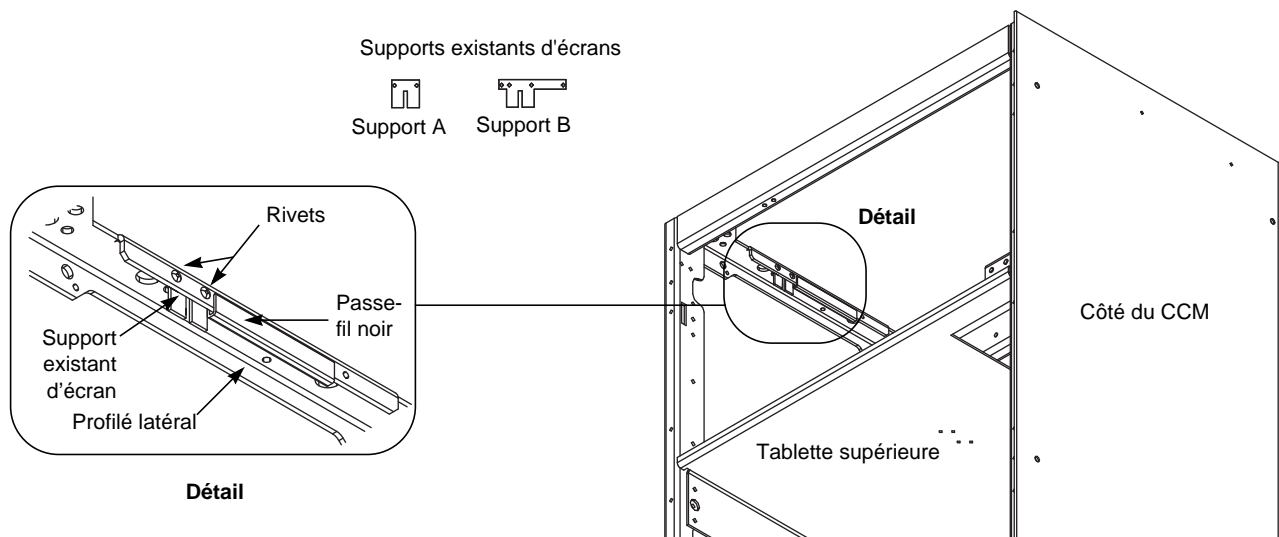
⚠ DANGER

RISQUE D'ÉLECTROCUTION, D'EXPLOSION OU D'ÉCLAIR D'ARC

- Le perçage de trous augmente les chances d'avoir des particules réparties dans le CCM.
- Assurez-vous qu'il ne reste pas de particules dans le compartiment avant de mettre l'appareil sous tension.

Si cette directive n'est pas respectée, cela entraînera la mort ou des blessures graves.

Figure 153 –Retrait des supports existants du CCM de 381 mm (15 po) de profondeur



Installation du kit de modernisation

Supports de modernisation et capuchons d'extrémité

Suivre les directives applicables ci-dessous pour installer les supports de modernisation dans les CCM de 381 mm (15 po) ou 508 mm (20 po) de profondeur. Le support de modernisation supérieur doit être au niveau du profilé latéral. Faire glisser les passe-fils noirs vers l'arrière du CCM.

- CCM de 381 mm (15 po) de profondeur : Utiliser un pistolet à rivet et deux rivets du kit de modernisation pour attacher les supports de modernisation aux profilés latéraux de gauche et de droite (figure 154 à la page 174).
- CCM de 508 mm (20 po) de profondeur : Utiliser les vis fournies dans le kit de modernisation pour attacher les supports de modernisation aux profilés latéraux de gauche et de droite. Aligner les trous du support et du profilé latéral comme indiqué par la figure 155 à la page 175.

- REMARQUES :**
- Même si les trous sont présents pour effectuer un montage direct du capuchon d'extrémité sur les profilés latéraux, utiliser le support de modernisation supérieur sur les CCM de 508 mm (20 po) de profondeur.
 - Avant de serrer les vis, éloigner le support de vous de sorte que le trou arrière du support soit correctement aligné avec le trou du profilé latéral.

Figure 154 –Support de modernisation des CCM de 381 mm (15 po) de profondeur

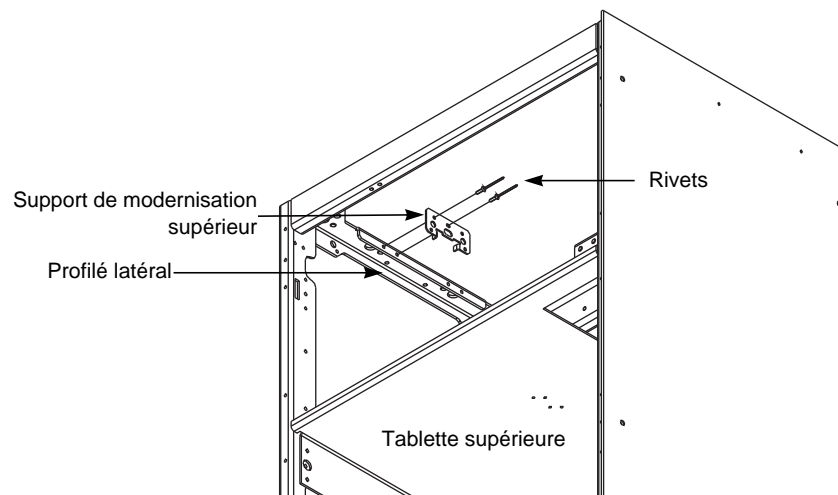
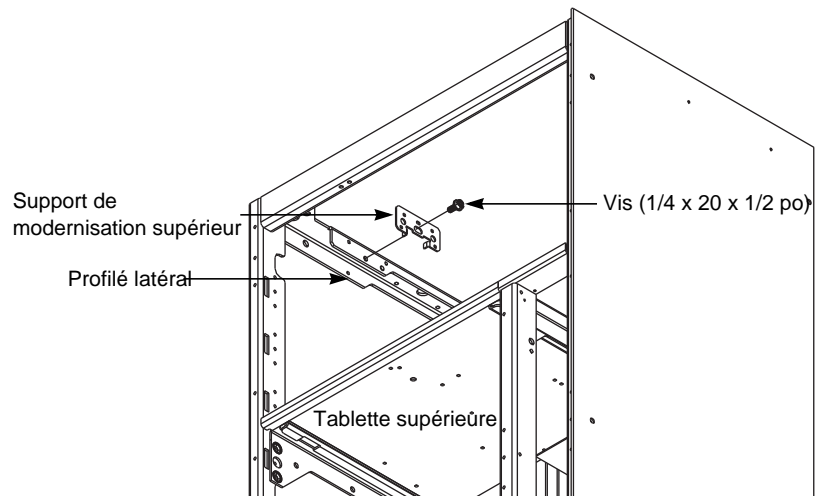


Figure 155 –Support de modernisation des CCM de 508 mm (20 po) de profondeur



Suivre les points ci-après pour installer les capuchons d'extrémité (figure 156).

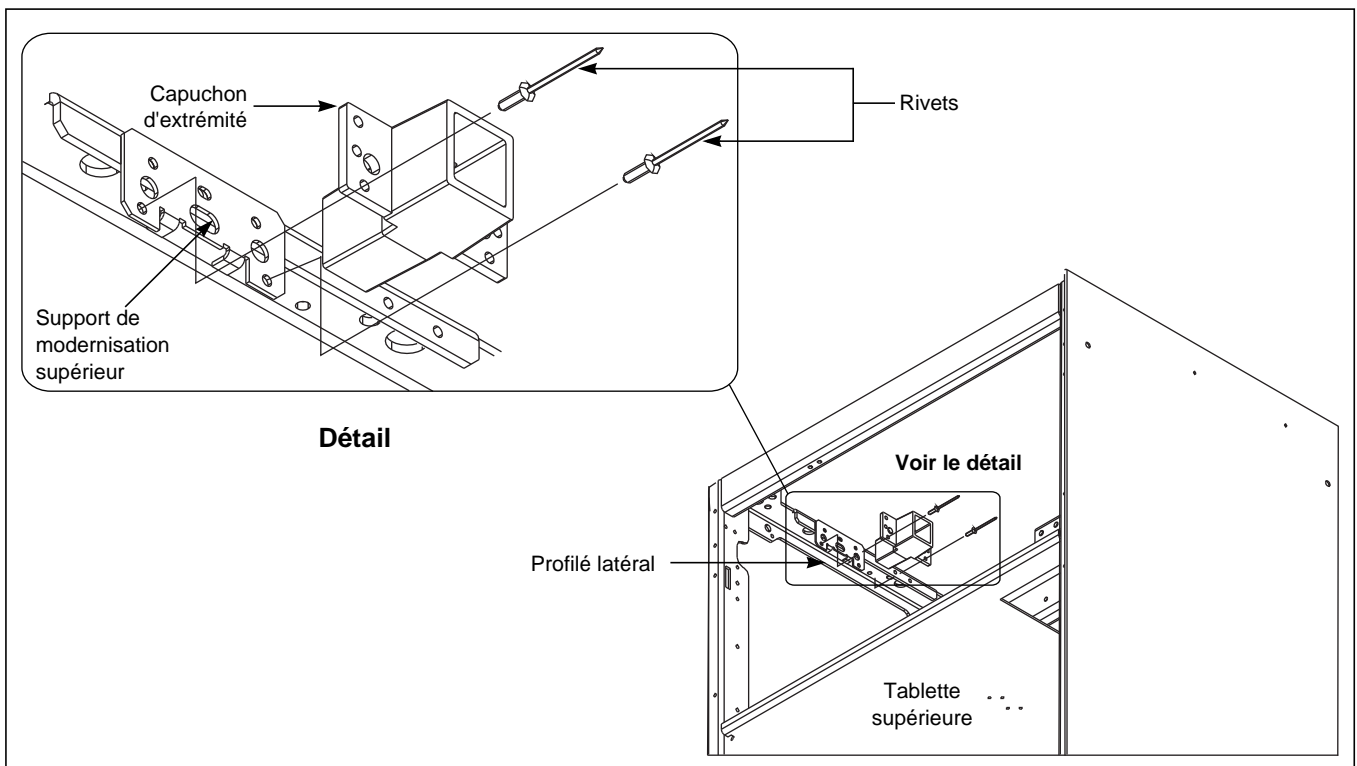
River un capuchon d'extrémité en place sur le support de modernisation ou le profilé latéral, sur le côté droit ou la gauche de la structure.

Insérer une extrémité du guide supérieur dans le capuchon d'extrémité attaché.

Placer l'autre capuchon d'extrémité sur l'extrémité opposée du guide et faire glisser le guide supérieur en place.

1. River le deuxième capuchon d'extrémité au support de modernisation.

Figure 156 –Mise en place des capuchons d'extrémité



FRANÇAIS

Guide inférieur et support de modernisation inférieur

1. À l'aide d'un foret de 3 mm (1/8 po), chasser les deux rivets du support de l'écran isolant des barres-bus horizontales (le support en L situé sur la tablette supérieure—figure 157). Retirer le support et le jeter.
2. Pour installer le guide de modernisation inférieur, suivre le point a si la tablette supérieure est soudée, ou le point b en présence d'une tablette supérieure de relais (figure 158 à la page 177) :

Tablette supérieure soudée : Aligner les trous de la tablette avec ceux du guide inférieur (figure 158 à la page 177). River le guide et le support de modernisation à la tablette supérieure.

- a. Si les barres-bus contiennent quatre lamelles, accéder aux trous de rivets par le dessous de la tablette supérieure.

Tablette supérieure de relais : Aligner les deux trous de la tablette de relais avec les trous du support de modernisation inférieur (figure 158 à la page 177). Marquer les endroits où percer d'autres trous pour fixer le guide inférieur à la tablette. Percer les trous à l'aide d'un foret de 3 à 4 mm (0,136 à 0,147 po) de diamètre. River le guide et le support de modernisation à la tablette supérieure.

- b. Le guide de modernisation inférieur ne peut être riveté directement à la tablette supérieure de relais que si la tablette supérieure de l'assemblage de relais possède deux trous au lieu de quatre.

Figure 157 –Support (en forme de L) d'écran des barres-bus horizontales

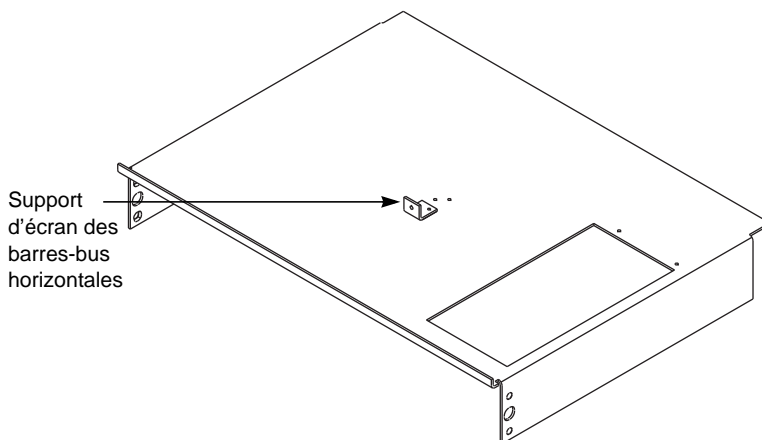
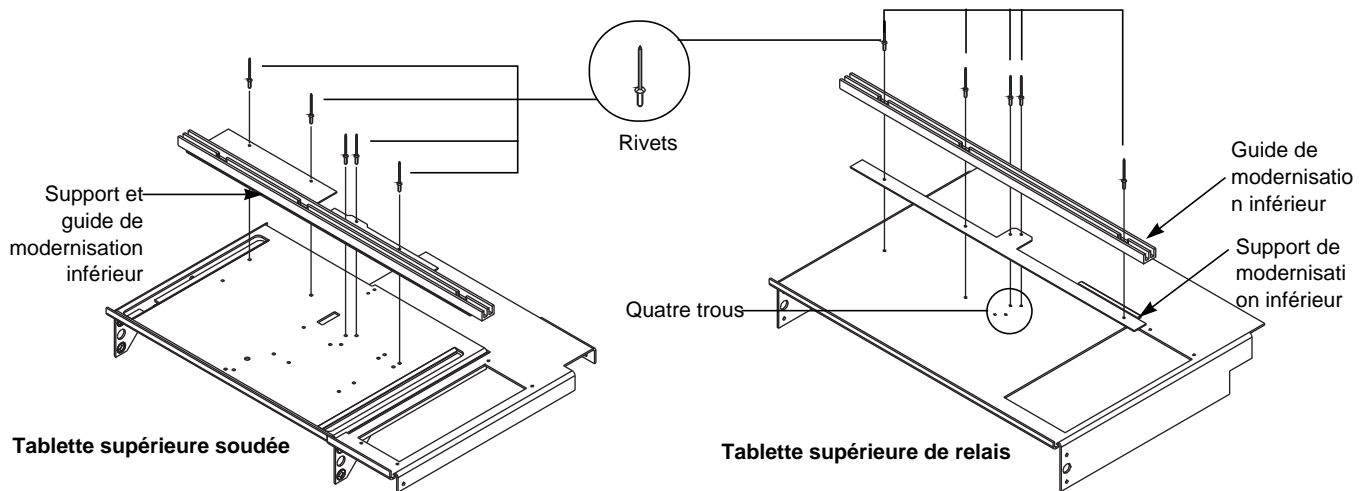


Figure 158 –Assemblages des tablettes supérieures soudées et de relais



Panneaux de gauche et de droite

Installation

REMARQUE : L'écran isolant des barres-bus horizontales contient deux panneaux identiques avec de flèches à la partie supérieure. La « poignée » du panneau de gauche est orientée vers la face avant de la section du CCM. La « cavité pour poignée » du panneau de droite est orientée vers la face avant de la section du CCM (figure 159).

1. Aligner les flèches du panneau de droite et du guide supérieur comme indiqué à la figure 160 à la page 178.
2. Soulever le panneau pour le placer dans la rainure arrière du guide supérieur.
3. Abaisser le panneau dans la rainure arrière du guide inférieur.
4. Faire glisser le panneau complètement vers la droite.
5. Aligner les flèches du panneau de gauche et du guide supérieur.
6. Répéter les points 2 et 3 pour le panneau de gauche et la rainure avant.
7. Faire glisser le panneau vers la gauche jusqu'à ce qu'il se verrouille (s'emboîte) en place.
8. Vérifier si l'écran isolant est complètement fermé en s'assurant que le compartiment de câblage est isolé du compartiment des barres-bus.

Figure 159 –Panneau de droite (vue latérale)

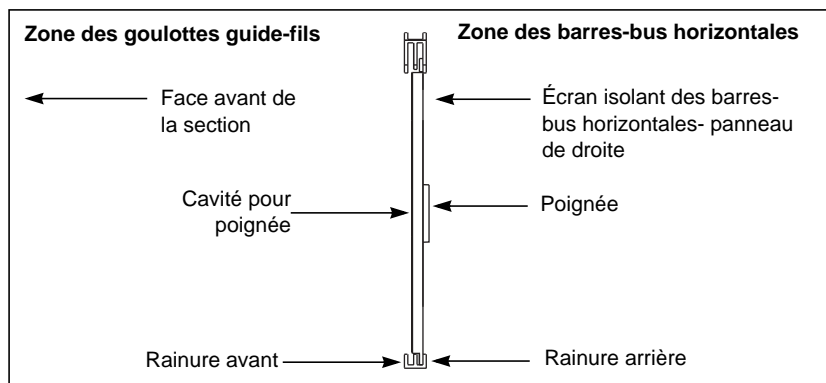
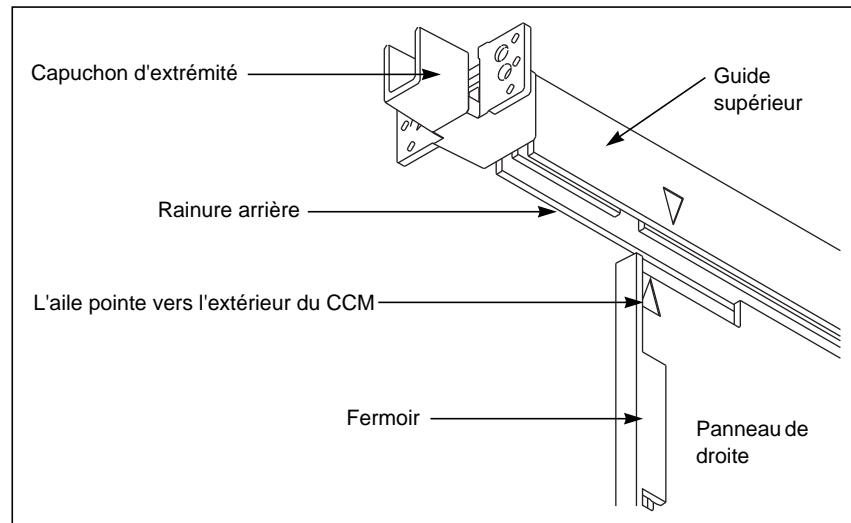
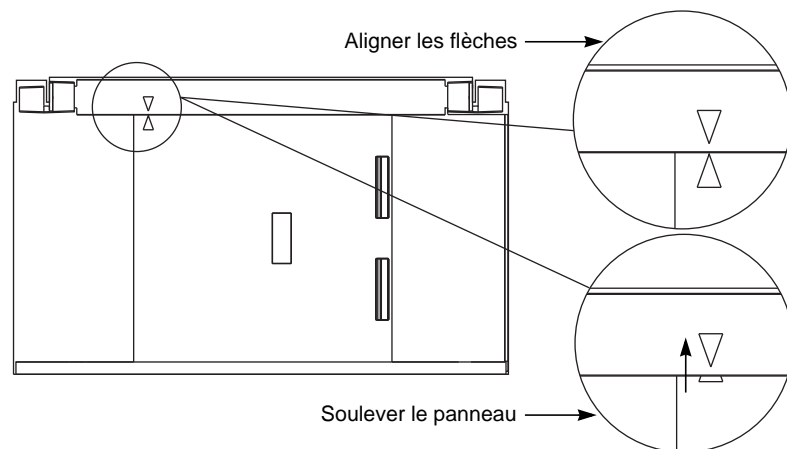


Figure 160 –Installation du panneau de droite dans la rainure arrière**Retrait (si requis)**

1. D'une main, faire glisser le panneau de gauche vers la droite jusqu'à ce qu'il se déboîte du panneau de droite.
2. Aligner les flèches du panneau de gauche et du guide supérieur comme indiqué à la figure 161. Soulever le panneau pour le dégager du guide inférieur et le retirer.
3. Aligner les flèches du panneau de droite et du guide supérieur comme indiqué à la figure 161. Soulever le panneau pour le dégager du guide inférieur et le retirer.

Figure 161 –Alignement des flèches des panneaux

Remplacement des composants

⚠ DANGER

RISQUE D'ÉLECTROCUTION, D'EXPLOSION OU D'ÉCLAIR D'ARC

- Portez un équipement de protection personnelle (ÉPP) approprié et observez les méthodes de travail électrique sécuritaire. Voir NFPA 70E ou CSA Z462.
- Seul un personnel qualifié doit effectuer l'installation et l'entretien de cet appareil.
- Coupez l'alimentation de l'appareil avant d'y travailler.
- Utilisez toujours un dispositif de détection de tension ayant une valeur nominale appropriée pour vous assurer que l'alimentation est coupée.
- Remplacez tous les dispositifs, les portes et les couvercles avant de mettre l'appareil sous tension.

Si cette directive n'est pas respectée, cela entraînera la mort ou des blessures graves.

Suivre les points ci-après pour remplacer les composants du CCM.

Installer l'unité retirée dans la section, « Unités sous la tablette supérieure » à la page 172. Consulter le manuel d'installation et d'entretien des CCM Modèle 5 (n° 8998IM9101R5/92) ou « Retrait de l'unité de contrôle » à la page 91 de ces directives pour trouver les directives d'installation d'unités dans un CCM.

1. Remplacer le couvercle de la goulotte guide-fils horizontale supérieure.
2. Remplacer ou fermer tous les autres couvercles ou portes avant de mettre le CCM sous tension.

Annexe C—Volet automatique des barres-bus verticales

Introduction

⚠ DANGER

RISQUE D'ÉLECTROCUTION, D'EXPLOSION OU D'ÉCLAIR D'ARC

- Portez un équipement de protection personnelle (ÉPP) approprié et observez les méthodes de travail électrique sécuritaire. Voir NFPA 70E ou CSA Z462.
- Seul un personnel qualifié doit effectuer l'installation et l'entretien de cet appareil.
- Coupez l'alimentation de l'appareil avant d'y travailler.
- Utilisez toujours un dispositif de détection de tension ayant une valeur nominale appropriée pour vous assurer que l'alimentation est coupée.
- Remplacez tous les dispositifs, les portes et les couvercles avant de mettre l'appareil sous tension.

Si ces directives ne sont pas respectées, cela entraînera la mort ou des blessures graves.

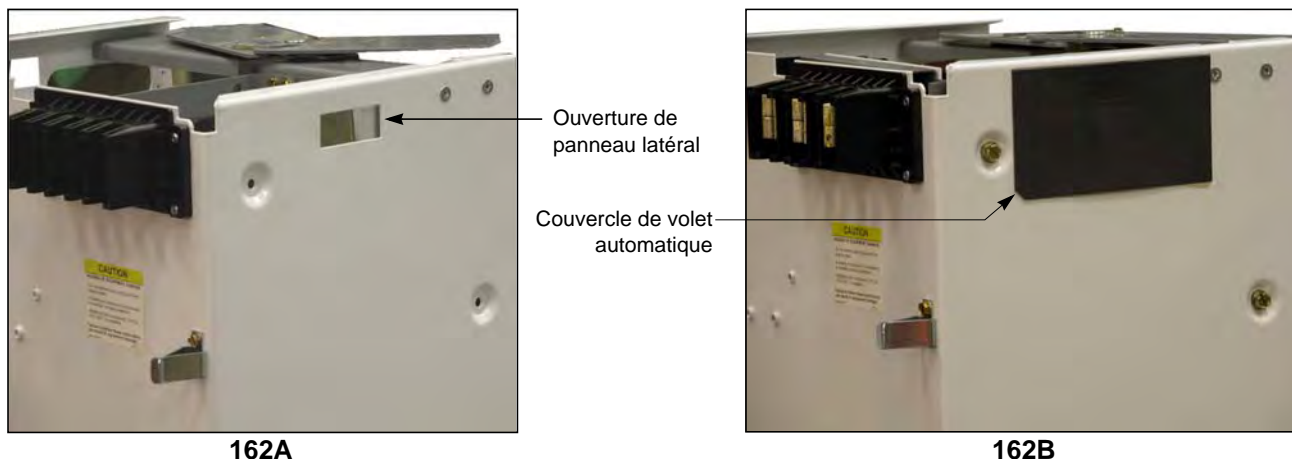
Le volet automatique des barres-bus verticales est une caractéristique optionnelle pour les barres-bus verticales du centre de commande de moteurs modèle 6 (CCM). Les volets sont pré-assemblés et installés comme partie de l'alignement CCM.

Les volets automatiques de la barre-bus ouvrent et ferment le point de raccordement des barres-bus verticales lorsque les unités sont insérées et retirées de la structure. Ils peuvent être placés dans tout le CCM et posés en incréments de 152 mm (6 po). Ils se montent sur le bord gauche de chaque tablette médiane.

L'assemblage des volets automatiques exige une tablette médiane mise à jour pour permettre un dégagement pour le volet au-dessus de l'unité enfichable.

- REMARQUES :**
- Les structures CCM expédiées avant janvier 2003 ne peuvent pas utiliser l'espace supérieur de 76 mm (3 po) avec l'option de volet automatique des barres-bus verticales. Une plaque de recouvrement de 76 mm (3 po) est nécessaire pour couvrir l'ouverture.
 - Les unités de contrôle Compac 6 expédiées avant janvier 2003 peuvent être utilisées avec l'option de volet automatique des barres-bus verticales.
 - Les variateurs de vitesse et démarreurs progressifs de 1143 mm (45 po) ou plus hauts, expédiés avant juillet 2003 avec une ouverture de panneau latéral comme celle représentée par la figure 162A à la page 181, nécessitent un couvercle de volet automatique (Pièce Square D Seneca n° 80451765-01). Le couvercle de volet automatique s'aligne avec le bord arrière de la vis à tête plate la mieux centrée comme représenté à la figure 162B à la page 181.

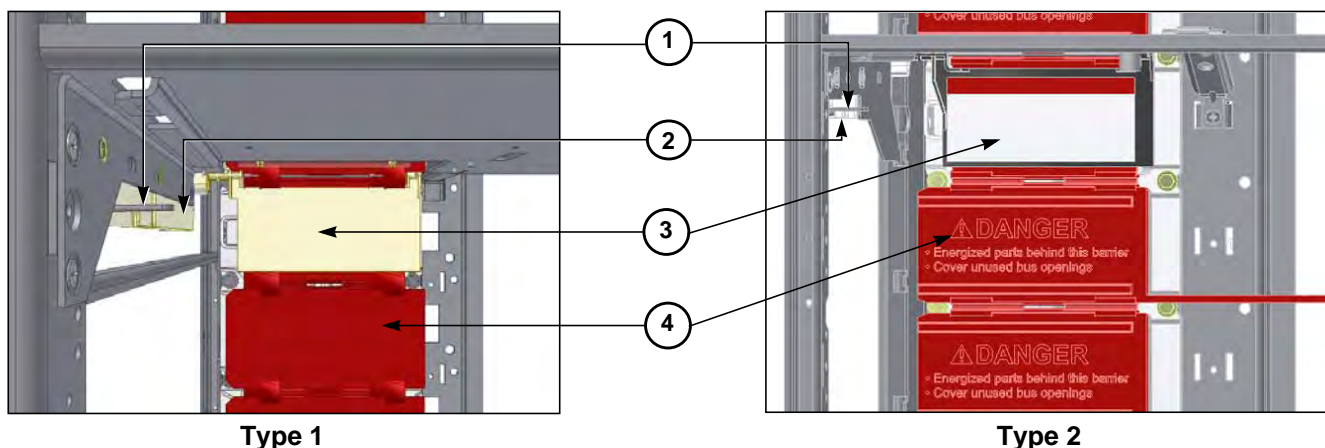
Figure 162 –Emplacement du couvercle de volet automatique pour une ouverture de panneau latéral



Le volet automatique des barres-bus verticales comprend quatre composants principaux (figure 163) :

1. **Mécanisme de fonctionnement** : manœuvre le volet des barres-bus verticales, permettant à l'unité enfichable de s'engager dans les barres-bus verticales
2. **Boîtier du mécanisme** : protège le mécanisme de toute obstruction par un corps étranger pouvant gêner le fonctionnement.
3. **Porte et clip des barres-bus verticales** : fournit une barrière protectrice contre un contact accidentel avec les barres-bus verticales du CCM.
4. **Volet manuel** : empêche l'accès aux ouvertures des barres-bus verticales non utilisées. Le volet manuel est maintenu en place par un dispositif de verrouillage intégré qui maintient le volet en position fermée durant l'expédition, l'installation et les opérations journalières.

Figure 163 –Volet automatique des barres-bus verticales dans un CCM (vue avant)



Comparer la tablette médiane installée sur place aux deux dessins ci-dessus. Si la tablette médiane installée sur place correspond au type 1, suivre les directives d'installation et de retrait commençant à la page 182. Si la tablette médiane installée sur place correspond au type 2, suivre les directives commençant à la page 185.

REMARQUE : Les CCM avec classification de confinement d'arc sont munis d'une tablette médiane spécifiquement conçue pour les CCM avec classification de confinement d'arc (pièce Schneider Electric n° 80466-007-50; voir la figure 134 à la page 145). Cette tablette médiane comporte des trappes de décompression d'arc et doit être utilisée lors de l'installation d'unités CCM avec protection contre les défauts d'arc pour maintenir la classification de confinement d'arc.

Installation—Type 1

Suivre ces instructions pour installer l'assemblage de volet automatique des barres-bus verticales à une tablette médiane existante de type 1. Voir les figures 164 et 165.

⚠ DANGER

RISQUE D'ÉLECTROCUTION, D'EXPLOSION OU D'ÉCLAIR D'ARC

- Portez un équipement de protection personnelle (ÉPP) approprié et observez les méthodes de travail électrique sécuritaire. Voir NFPA 70E ou CSA Z462.
- Seul un personnel qualifié doit effectuer l'installation et l'entretien de cet appareil.
- Coupez l'alimentation de cet appareil avant d'y travailler.
- Utilisez toujours un dispositif de détection de tension ayant une valeur nominale appropriée pour vous assurer que l'alimentation est coupée.
- Remplacez tous les dispositifs, les portes et les couvercles avant de mettre l'appareil sous tension.

Si ces directives ne sont pas respectées, cela entraînera la mort ou des blessures graves.

1. Couper toutes les alimentations à cet appareil avant d'y travailler et observer toutes les procédures d'interverrouillage et d'étiquetage. Toujours utiliser un dispositif de détection de tension ayant une valeur nominale appropriée pour vous assurer que l'alimentation est coupée.
2. Positionner la tablette médiane (figure 164, A) à l'endroit approprié de la structure.

Figure 164 – Installation de la tablette—type 1

Description	Quantité	Article
Tablette médiane	1 ¹	A
Vis à tête plate	2	D
Porte de l'unité	1	F
Vis à tête hex.	4 ²	H
Réceptacle de la fermeture au quart de tour	2 ²	J

¹ La tablette est fournie avec la commande, et peut être déjà montée à sa place.

² Toute la quincaillerie nécessaire pour une installation de tablette typique est comprise. L'installation de la porte peut nécessiter une quincaillerie supplémentaire.

The diagram illustrates the installation of the intermediate plate (A) on the vertical busbar assembly. It includes a main view and two detailed views: 'Détail A' showing the plate being secured with flat head screws (D) and 'Détail B' showing the door (F) being attached with hex head screws (H) and quarter-turn lock receptacles (J).

3. Placer le pied de montage (B) de la tablette dans les fentes de la cuve de montage (C). Fixer la tablette à gauche et à droite à l'aide de vis à tête plate (détail A, D).
4. Installer les lames de charnières (détail A, E) et la porte (F) dans les fentes pour charnières (G) du profilé d'angle de la structure. Fixer les lames de charnières au profilé d'angle de la structure à l'aide de vis à tête hex. (H).
5. Installer les réceptacles des fermetures (détail B, J) dans les fentes du support (K) et serrer à l'aide des vis à tête hex. (H).

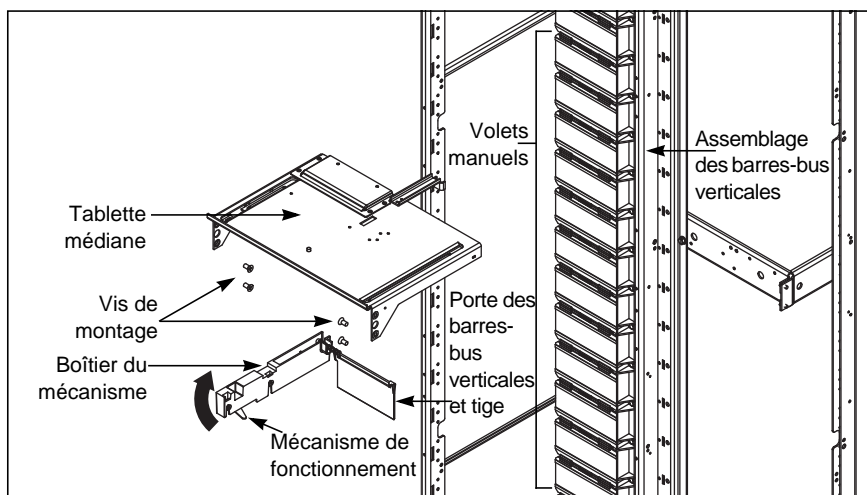
Installer l'assemblage du volet automatique des barres-bus en faisant pivoter le boîtier du mécanisme vers le haut afin de dégager le profilé d'angle avant de la structure.

6. Faire coulisser l'assemblage de volet automatique vers le haut de façon à ce qu'il s'intègre commodément au bord gauche de la tablette médiane.

Insérer sans serrer les deux vis de montage de 10-32 x 3/8 po dans le bord gauche intérieur de la tablette médiane et dans les écrous carrés du boîtier.

7. Retirer le volet manuel de l'assemblage des barres-bus verticales. Laisser le volet manuel pendre à côté de l'assemblage des barres-bus verticales.
8. Emboîter la tige du volet automatique sur le clip situé sur la face avant de l'assemblage des barres-bus verticales.
9. Serrer les deux vis de montage de 10-32 x 3/8 po insérées au point.
10. Pousser le mécanisme de fonctionnement vers l'arrière, en s'assurant que le volet pivote vers le haut dans la poche de la tablette médiane au-dessus de l'unité. Voir la figure 165 à la page 183.
11. Insérer l'unité dans le CCM. Suivre les procédures dans la « Section 4—Installation des CCM » à la page 24.
12. Replacer tous les dispositifs, les portes et les couvercles avant de mettre l'appareil sous tension.

Figure 165 –Installation de volet automatique des barres-bus verticales



Retrait—Type 1

Suivre ces directives pour retirer l'assemblage de volet automatique des barres-bus verticales (figure 166) d'une tablette médiane existante de type 1.

⚠ DANGER

RISQUE D'ÉLECTROCUTION, D'EXPLOSION OU D'ÉCLAIR D'ARC

- Portez un équipement de protection personnelle (ÉPP) approprié et observez les méthodes de travail électrique sécuritaire. Voir NFPA 70E ou CSA Z462.
- Seul un personnel qualifié doit effectuer l'installation et l'entretien de cet appareil.
- Coupez l'alimentation de cet appareil avant d'y travailler.
- Utilisez toujours un dispositif de détection de tension ayant une valeur nominale appropriée pour vous assurer que l'alimentation est coupée.
- Remplacez tous les dispositifs, les portes et les couvercles avant de mettre l'appareil sous tension.

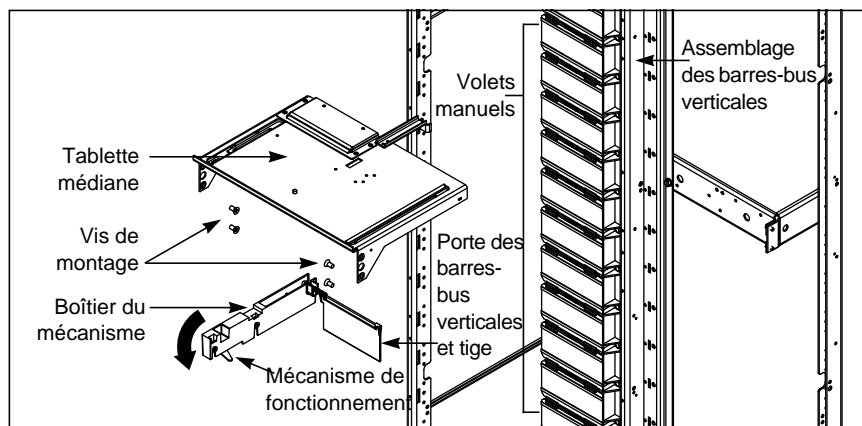
Si ces directives ne sont pas respectées, cela entraînera la mort ou des blessures graves.

1. Couper toutes les alimentations à cet appareil avant d'y travailler et observer toutes les procédures d'interverrouillage et d'étiquetage. Toujours utiliser un dispositif de détection de tension ayant une valeur nominale appropriée pour vous assurer que l'alimentation est coupée.
2. Retirer l'unité de la structure CCM. Suivre les procédures dans la « Section 4—Installation des CCM » à la page 24.
3. Retirer la tige du volet automatique du clip situé sur la face avant de l'assemblage des barres-bus verticales.
4. Insérer le volet manuel dans l'assemblage des barres-bus verticales.

Retirer les deux vis de montage de 10-32 x 3/8 po situées sur le bord gauche intérieur de la tablette médiane.

5. Faire coulisser l'assemblage du volet automatique vers le bas, le dégageant de la tablette médiane.
6. Faire pivoter l'assemblage vers le bas pour le libérer du profilé d'angle avant de la structure.
7. Retirer l'assemblage du volet automatique.
8. Replacer tous les dispositifs, les portes et les couvercles avant de mettre l'appareil sous tension.

Figure 166 –Retrait du volet automatique des barres-bus verticales—Type 1



Installation—Type 2

Suivre ces instructions pour installer l'assemblage de volet automatique des barres-bus verticales à une tablette médiane existante du type 2. Voir les figures 167 et 168.

⚠ DANGER

RISQUE D'ÉLECTROCUTION, D'EXPLOSION OU D'ÉCLAIR D'ARC

- Portez un équipement de protection personnelle (ÉPP) approprié et observez les méthodes de travail électrique sécuritaire. Voir NFPA 70E ou CSA Z462.
- Seul un personnel qualifié doit effectuer l'installation et l'entretien de cet appareil.
- Coupez l'alimentation de cet appareil avant d'y travailler.
- Utilisez toujours un dispositif de détection de tension ayant une valeur nominale appropriée pour vous assurer que l'alimentation est coupée.
- Remplacez tous les dispositifs, les portes et les couvercles avant de mettre l'appareil sous tension.

Si ces directives ne sont pas respectées, cela entraînera la mort ou des blessures graves.

1. Couper toutes les alimentations à cet appareil avant d'y travailler et observer toutes les procédures d'interverrouillage et d'étiquetage. Toujours utiliser un dispositif de détection de tension ayant une valeur nominale appropriée pour vous assurer que l'alimentation est coupée.
2. Positionner la tablette médiane (figure 167, A) à l'endroit approprié de la structure.

Figure 167 –Installation de la tablette—type 2

Tableau 19 – Pièces du kit d'installation de la tablette—type 2

Description	Quantité	Art.
Tablette médiane	1 ^①	A
Vis à tête plate	3	D
Porte de l'unité	1	F
Vis à tête hex.	4 ^②	H
Réceptacle de la fermeture au quart de tour	2 ^②	J

① La tablette est fournie avec la commande. Il se peut que la structure ait déjà une tablette en place.

② Toute la quincaillerie nécessaire pour une installation de tablette typique est comprise. L'installation de la porte peut nécessiter une quincaillerie supplémentaire.

Voir détail A

Voir détail A ou B

Voir détail B

FRANÇAIS

3. Placer le pied de montage (B) de la tablette dans les fentes de la cuve de montage (C). Fixer la tablette, à l'extrémité avec le pied de montage, sur le côté gauche et le côté droit à l'aide de vis à tête plate (détail A, D).
4. Installer les lames de charnières de la porte (détail A, E) dans les fentes pour charnières (G) du profilé d'angle de la structure. Fixer les lames de charnières au profilé d'angle de la structure à l'aide de vis à tête hex. (H).
5. Installer les réceptacles des fermetures (détail B, J) dans les fentes du support (K) et fixer à l'aide des vis à tête hex. (H).

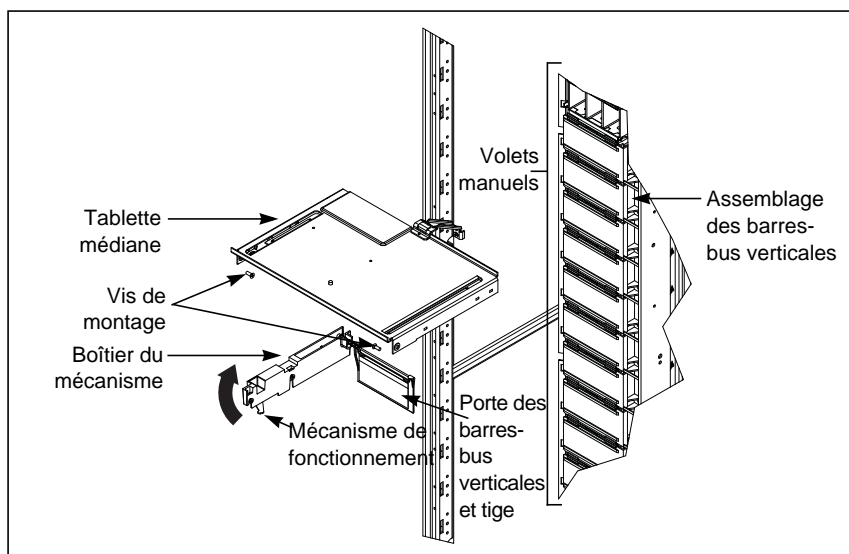
Installer l'assemblage du volet automatique des barres-bus en faisant pivoter le boîtier du mécanisme vers le haut afin de dégager le profilé d'angle avant de la structure.

6. Faire coulisser l'assemblage de volet automatique vers le haut de façon à ce qu'il s'intègre commodément au bord gauche de la tablette médiane.

Insérer sans serrer les vis de montage de 10-32 x 3/8 po dans le bord gauche intérieur de la tablette médiane et dans les écrous carrés du boîtier.

7. Retirer le volet manuel de l'assemblage des barres-bus verticales. Laisser le volet manuel pendre à côté de l'assemblage des barres-bus verticales.
8. Emboîter la tige du volet automatique sur le clip situé sur la face avant de l'assemblage des barres-bus verticales.
9. Serrer les vis de montage de 10-32 x 3/8 po insérées au point.
10. Pousser le mécanisme de fonctionnement vers l'arrière, en s'assurant que le volet pivote vers le haut dans la poche de la tablette médiane au-dessus de l'unité.
11. Insérer l'unité dans le CCM. Suivre les procédures de la « Section 4—Installation des CCM » à la page 24.
12. Replacer tous les dispositifs, les portes et les couvercles avant de mettre l'appareil sous tension.

Figure 168 –Installation de volet automatique des barres-bus verticales—type 2



Retrait—Type 2

Suivre ces directives pour retirer l'assemblage de volet automatique des barres-bus verticales (figure 169 à la page 187) d'une médiane existante du type 2 :

1. Couper toutes les alimentations à cet appareil avant d'y travailler et observer toutes les procédures d'interverrouillage et d'étiquetage. Toujours utiliser un dispositif de détection de tension ayant une valeur nominale appropriée pour vous assurer que l'alimentation est coupée.
2. Retirer l'unité de la structure CCM. Suivre les procédures de la « Section 4—Installation des CCM » à la page 24.

⚠ DANGER

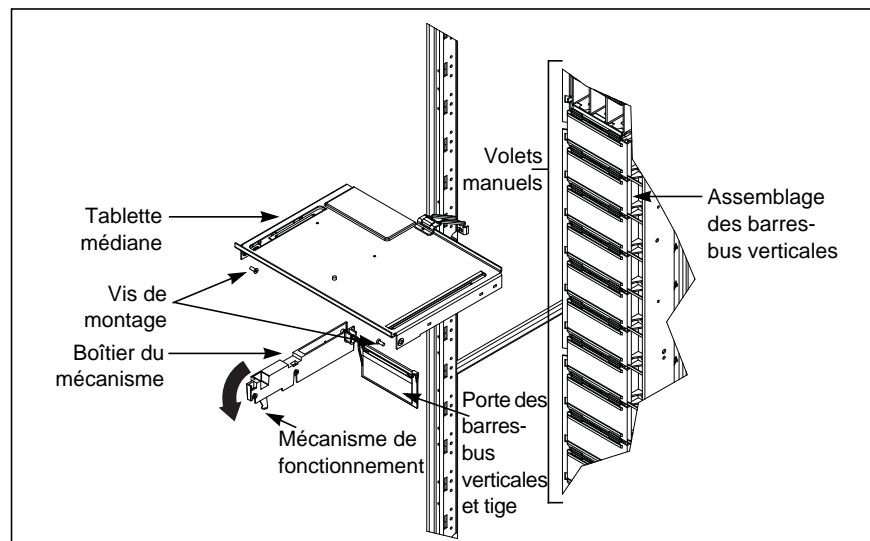
RISQUE D'ÉLECTROCUTION, D'EXPLOSION OU D'ÉCLAIR D'ARC

- Portez un équipement de protection personnelle (ÉPP) approprié et observez les méthodes de travail électrique sécuritaire. Voir NFPA 70E ou CSA Z462.
- Seul un personnel qualifié doit effectuer l'installation et l'entretien de cet appareil.
- Coupez l'alimentation de cet appareil avant d'y travailler.
- Utilisez toujours un dispositif de détection de tension ayant une valeur nominale appropriée pour vous assurer que l'alimentation est coupée.
- Remplacez tous les dispositifs, les portes et les couvercles avant de mettre l'appareil sous tension.

Si ces directives ne sont pas respectées, cela entraînera la mort ou des blessures graves.

3. Retirer la tige du volet automatique du clip situé sur la face avant de l'assemblage des barres-bus verticales.
4. Insérer le volet manuel dans l'assemblage des barres-bus verticales.
5. Retirer les vis de montage de 10-32 x 3/8 po du bord gauche intérieur de la tablette médiane.
6. Faire coulisser l'assemblage du volet automatique vers le bas, le dégageant de la tablette médiane.

Figure 169 –Retrait du volet automatique des barres-bus verticales



7. Faire pivoter l'assemblage vers le bas pour le libérer du profilé d'angle avant de la structure.
8. Retirer l'assemblage du volet automatique.
9. Replacer tous les dispositifs, les portes et les couvercles avant de mettre l'appareil sous tension.

Fonctionnement—Types 1 et 2

Insertion d'une unité

Lorsqu'une unité est insérée dans la structure CCM Modèle 6, le mécanisme de fonctionnement ouvre le volet automatique des barres-bus, permettant aux pinces d'alimentation de l'unité de se raccorder aux barres-bus verticales.

Retrait d'une unité

Le volet automatique se ferme lorsqu'une unité est retirée de la structure. La porte du volet fournit une barrière protectrice contre tout contact accidentel avec les barres-bus verticales du CCM.

Annexe D—Assistance technique

Le centre de commande de moteurs Modèle 6 comporte de nombreux produits Schneider Electric en un seul ensemble. Les numéros d'assistance technique de certains de ces produits suivent :

Nom du dispositif	Emplacement	N° d'assistance technique (É.-U)
Centres de commande de moteurs*	Seneca, SC : Groupe d'assistance technique des CCM (Technical Assistance Group - TAG)	(800) 634-2003
Équipement PowerLogic ^{MC} Logiciel SMS-3000	La Vergne, TN : Assistance technique PowerLogic	(615) 287-3400
Variateurs de vitesse Démarreurs progressifs Démarreurs/contacteurs/relais de surcharge	Raleigh, NC : Bureau d'aide de Raleigh	(888) 778-2733
Matériel et logiciel d'automatisation Schneider	North Andover, MA : Centre d'aide à la clientèle	(800) 468-5342
Équipe des applications industrielles	Raleigh, NC	(800) 468-5342
Support des organisations de services sur place	Florence, KY	(800) 634-2003

* Le groupe d'assistance technique des CCM est le premier point de contact pour toutes questions relatives aux CCM. Ou, contacter votre distributeur/bureau des ventes local Schneider Electric.

Index

A

Altistart 48 139
 Altivar 61/71 138
 applications de modernisation 109, 135
 armoires 24, 38, 87
 type 1 26, 55
 jonction 26
 points d'ancrage sismiques 33
 raccordement de la barre-bus de m.à.l.t. 55
 raccordement des barres-bus d'alimentation 46
 type 1 à joint d'étanchéité 26, 36
 joints de raccordement 36
 jonction 26
 points d'ancrage sismiques 33
 type 12 26, 36, 55
 joints de raccordement 36
 jonction 26
 points d'ancrage sismiques 33
 raccordement de la barre-bus de m.à.l.t. 55
 raccordement des barres-bus d'alimentation 46
 type 3R 55
 jonction 38, 44
 points d'ancrage sismiques 34
 raccordement de la barre-bus de m.à.l.t. 55
 raccordement des barres-bus d'alimentation 51

B

barre-bus de m.à.l.t., raccordement 24
 barres-bus 26, 88
 écrans isolants 27
 entretien 88
 blocs de pinces d'alimentation 98
 bornier 135, 149
 broche de charnière 94

C

câblage de charge 79
 câblage de contrôle 79
 CCM intelligent 117
 CCMi 117
 câblage 118, 124
 communications 124
 classification de confinement d'arc 13, 104, 141, 142, 145, 150, 182
 Compac 6 102, 109, 142
 contacts des démarreurs 99
 couvercles des barres-bus horizontales 46, 57

D

disjoncteur 98, 113, 163
 dispositifs de contrôle 100

E

écran isolant 39, 42, 101
 écran isolant des barres-bus 167, 171
 écrans isolants
 barres-bus 27, 46, 52, 57
 goulotte guide-fils 117
 écrans isolants des barres-bus 52
 fixe 169, 170
 ensemble de raccordement 49, 61
 entrée de conduit 62
 entretien 87
 après un défaut 104
 barres-bus 88
 Compac 6 98
 journal 165
 ligne d'arrivée 87
 unité de contrôle 90
 unités spéciales 101
 essai d'isolation 102
 exigences d'espace 24
 expansion 141

F

fusibles 99

G

goulotte guide-fils 12, 79
 horizontale 26, 62, 79, 88
 verticale 79, 93, 97, 100, 141

I

interrupteur à fusible 99, 163
 interverrouillages de démarreurs 101

L

ligne d'arrivée 79, 105
 ligne d'arrivée 87
 liste de vérification avant mise en service 84

M

Mag-Gard 113
 mécanisme de cames avec manettes jumulées 93
 mécanisme de fonctionnement 99, 163
 mesures de résistance 103
 Motor Logic 85
 applications de modernisation 109
 dépannage 152
 taille du relais de surcharge 110
 valeurs de couple 110
 Motor Logic Plus 123
 programmation à distance 128
 programmation locale 126

P

passe-fil en caoutchouc
 goulotte guide-fils verticale 79
 poids à l'expédition 20
 points d'ancrage sismiques
 type 1, type 1 à joint d'étanchéité et type 12 33
 type 3R 34
 porte-fusibles 99
 PowerLogic 123
 assistance technique 189
 PowerPact 113, 115, 163

R

raccordement
 barre-bus de m.à.l.t. 55
réception 20
relais de protection de moteurs 123
relais de surcharge 85, 100, 108
 dépannage 152
rondelles coniques 50, 53, 58, 61

S

sectionneur 98

T

TeSys T 16, 85, 123, 134, 135, 136,
 153, 154
 dépannage 153, 154

U

unité Compac de 152 mm 109
unité de contrôle 90
 entretien 90, 98
 retrait 91, 95
unités spéciales 101
unités thermiques de relais de
 surcharge 157

V

valeurs de couple 82, 90, 105
 Motor Logic 110
valeurs de couple de serrage des
 barres-bus de m.à.l.t. 90, 105
volet automatique des barres-bus
 180, 187
volet des barres-bus 101
 automatique 101
 manuel 101, 146

Schneider Electric Canada, Inc.

5985 McLaughlin Road
Mississauga, ON L5R 1B8 Canada
800-565-6699
www.schneider-electric.ca

Du fait que les normes, caractéristiques et conceptions peuvent changer, demander confirmation que l'information contenue dans cette publication est à jour.

AccuSine, Altivar, Altistart, Mag-Gard, Modicon, Motor Logic, Motor Logic Plus, PowerLogic, PowerPact, Square D, Schneider Electric et TeSys Schneider Electric et Square D sont des marques commerciales et la propriété de Schneider Electric SE, ses filiales et compagnies affiliées. Toutes les autres marques commerciales sont la propriété de leurs propriétaires respectifs.

© 1999–2019 Schneider Electric Tous droits réservés

80459-641-01G, 04/2019
Remplace 80459-641-01F, 02/2018

Schneider Electric USA, Inc.

800 Federal Street
Andover, MA 01810 USA
888-778-2733
www.schneider-electric.us

Standards, specifications, and designs may change, so please ask for confirmation that the information in this publication is current.

AccuSine, Altivar, Altistart, Mag-Gard, Modicon, Motor Logic, Motor Logic Plus, PowerLogic, PowerPact, Square D, Schneider Electric, and TeSys are trademarks and the property of Schneider Electric SE, its subsidiaries, and affiliated companies. All other trademarks are the property of their respective owners.

© 1999–2019 Schneider Electric
All Rights Reserved

80459-641-01G, 04/2019
Replaces 80459-641-01F, 02/2018

Importado en México por:

Schneider Electric México, S.A. de C.V.

Av. Ejercito Nacional No. 904
Col. Palmas, Polanco 11560 México, D.F.
55-5804-5000
www.schneider-electric.com.mx

Normas, especificaciones y diseños pueden cambiar, por lo tanto pida confirmación de que la información de esta publicación está actualizada.

AccuSine, Altivar, Altistart, Mag-Gard, Modicon, Motor Logic, Motor Logic Plus, PowerLogic, PowerPact, Square D, Schneider Electric y TeSys son marcas comerciales y propiedad de Schneider Electric SE, sus filiales y compañías afiliadas. Todas las otras marcas comerciales son propiedad de sus respectivos propietarios.

© 1999–2019 Schneider Electric
Reservados todos los derechos

80459-641-01G, 04/2019
Reemplaza 80459-641-01F, 02/2018

Schneider Electric Canada, Inc.

5985 McLaughlin Road
Mississauga, ON L5R 1B8 Canada
800-565-6699
www.schneider-electric.ca

Du fait que les normes, caractéristiques et conceptions peuvent changer, demander confirmation que l'information contenue dans cette publication est à jour.

AccuSine, Altivar, Altistart, Mag-Gard, Modicon, Motor Logic, Motor Logic Plus, PowerLogic, PowerPact, Square D, Schneider Electric et TeSys sont des marques commerciales et la propriété de Schneider Electric SE, ses filiales et compagnies affiliées. Toutes les autres marques commerciales sont la propriété de leurs propriétaires respectifs.

© 1999–2019 Schneider Electric
Tous droits réservés

80459-641-01G, 04/2019
Remplace 80459-641-01F, 02/2018