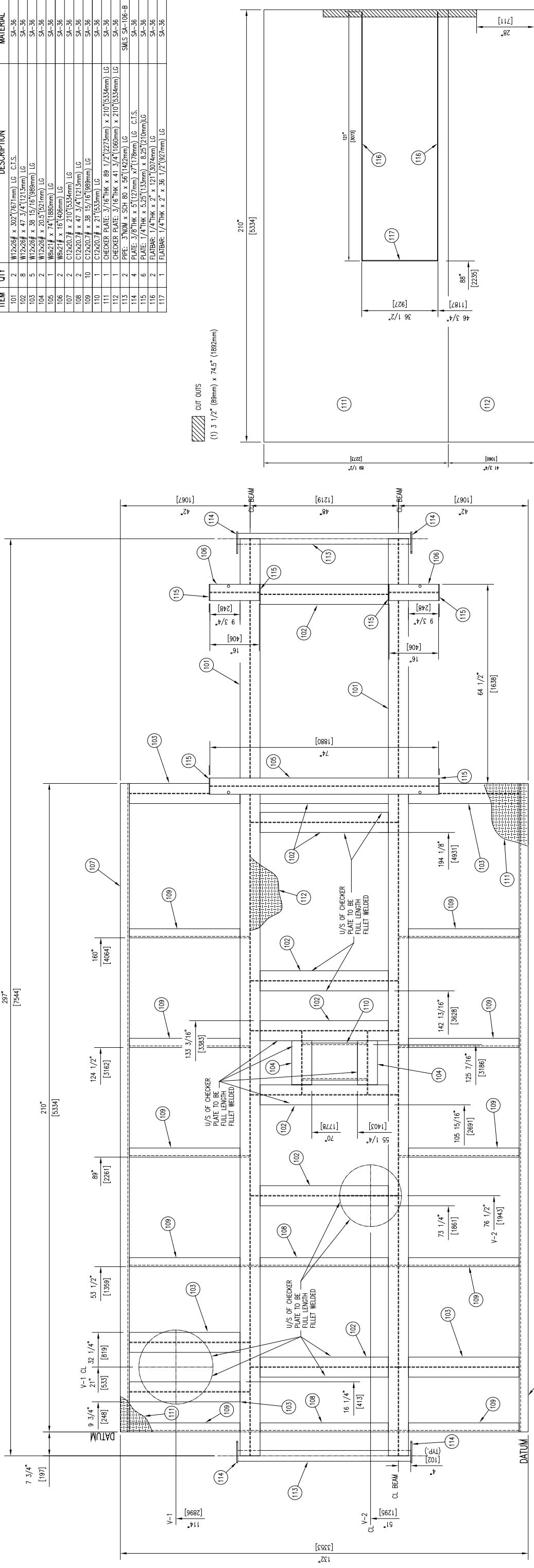


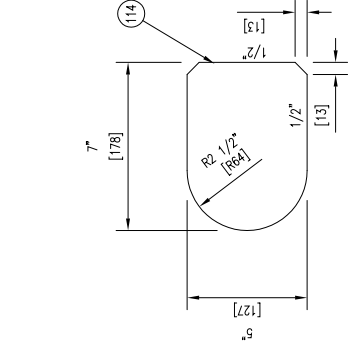
ITEM	QTY	DESCRIPTION	MATERIAL
101	2	W12x26# x 3027(767mm) LG C.T.S.	SA-36
102	8	W12x26# x 47 3/4"(1213mm) LG	SA-36
103	5	W12x26# x 38 15/16"(989mm) LG	SA-36
104	2	W12x26# x 20.5"(521mm) LG	SA-36
105	1	W8x21# x 74"(1880mm) LG	SA-36
106	2	W8x21# x 16"(406mm) LG	SA-36
107	2	C12x20.7# x 210"(5334mm) LG	SA-36
108	2	C12x20.7# x 47 3/4"(1213mm) LG	SA-36
109	10	C12x20.7# x 38 15/16"(989mm) LG	SA-36
110	1	C12x20.7# x 21"(533mm) LG	SA-36
111	1	CHECKER PLATE: 3/16"THK x 89 1/2"(2273mm) x 210"(5334mm) LG	SA-36
112	2	CHECKER PLATE: 3/16"THK x 41 3/4"(1066mm) x 210"(5334mm) LG	SA-36
113	2	PIPE: 3"NMW x SCH 80 x 56"(1422mm) LG	SMLS SA-106-B
114	4	PLATE: 3/8"THK x 57"(1422mm) x 7"(178mm) LG C.T.S.	SA-36
115	6	PLATE: 1/4"THK x 5.25"(133mm) x 8.25"(210mm) LG	SA-36
116	2	FLATBAR: 1/4"THK x 2" x 121"(3074mm) LG	SA-36
117	1	FLATBAR: 1/4"THK x 2" x 36 1/2"(927mm) LG	SA-36

CUT OUTS
(1) 3 1/2" (89mm) x 74.5" (1892mm)

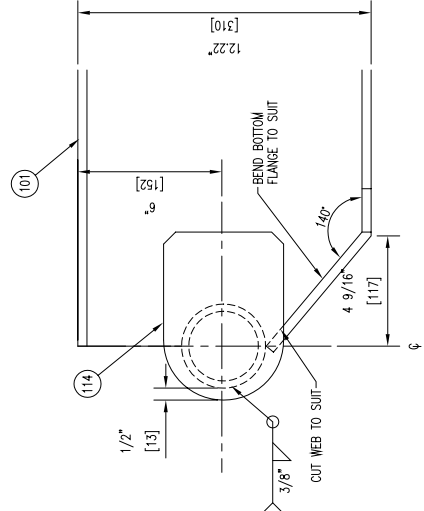


PLAN
3/4"=1'-0"

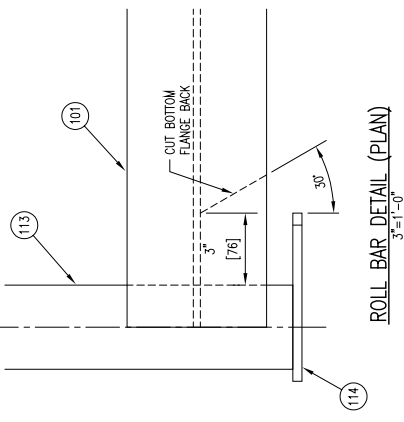
DRIP LIP DETAIL
1/2"=1'-0"



END CAP DETAIL
3/8"=1'-0"



ROLL BAR DETAIL (ELEV)
3/8"=1'-0"



ROLL BAR DETAIL (PLAN)
3/8"=1'-0"

- GENERAL NOTES**
1. ALL DIMENSIONS OUTSIDE OF BRACKETS ARE IN INCHES.
 2. ALL DIMENSIONS WITHIN [] ARE IN MM.
 3. ALL HULL DIMENSIONS ARE FROM DATUM.
 4. ALL WELDED PIPING TO BE HYDROTESTED TO B31.3
 5. ALL PIPING TO BE SUBJECT TO 100% RADIOGRAPHY.
 6. WELDING PROCEDURES TO BE PERFORMED TO MEET A 2Z-HRC HARDNESS TEST.
 7. SEE CHART FOR PIPING/FITTING FOR MATERIAL/RATING REQ.

8. TUBING TO BE SS. FITTINGS TO BE CADMIUM PLATED W/ SS PRIMARY FERRULE & CS SECONDARY FERRULE.
9. ALL PIPING & TUBING TO BE SUPPORTED AS REQ'D.
10. ALL PIPING TO COMPLY WITH ANSI B31.3 & THE SPECS PER C.C.C.
 - NO-NOM CODE
 - AW-150 CLASS SWEET
 - BA-300 CLASS SWEET
 - AS-150 CLASS SOUR
 - BS-300 CLASS SOUR

- NOTES**
11. SURFACE PREP.: - SELF PRIMING PAINT; SEE BELOW PRIMER: 1 S/C GENERAL PAINT 16010, SELF PRIMING PAINT, GLOSS URETHANE ENAMEL, CONCEPT TAN PAINT; SHIPPING WEIGHT IS APPROX.
 12. SHIPPING WEIGHT IS APPROX.
 13. ROOF VENTS REMOVED FOR SHIPPING

REV.	DESCRIPTION	DATE	BY	APPR.
1	SKID DIMENSION CHANGES	MAY 11/05	E.P.	
0	ISSUED FOR CONSTRUCTION	MAY 04/05	E.P.	

SMLS

STRUCTURAL STEEL		
SKID BASE		
CC180 UNIT		
NO. JOB#	15627-430	
DATE		
DATE		
DATE		
DATE		
DATE		
DATE		

CONCEPT
COMPRESSION CORP.
FOR
CC180PDR COMPRESSOR
STOCK UNIT
REV. 100418-421-301
PAGE 1