

V-2
OIL SEPARATOR
SIZE: 20"OD x 8" HT S/S
MANUFACTURER: SULLAR
MODEL: PR200
INPUT SPEED: 1800 RPM
MAX PS: SEE CURVES
C.A.: 0.125"
WEIGHT: 1200 LBS

C-1
GAS COMPRESSOR
MANUFACTURER: SULLAR
MODEL: PR200
INPUT SPEED: 1800 RPM
MAX PS: SEE CURVES
C.A.: 0.125"
WEIGHT: 1250 LBS

V-1
INLET SEPARATOR
SIZE: 20"OD x 6" HT S/S
MANUFACTURER: SULLAR
MODEL: PR200
INPUT SPEED: 1800 RPM
MAX PS: SEE CURVES
C.A.: 0.125"
WEIGHT: 1340 LBS

NPT/SW PIPE WT CHART	
PIPE SPECIFICATION	WT
NC	BA CA AS BS CS
1/2"	80 160 XXH XXH XXH
3/4"	80 160 160 160 160
1"	80 80 160 160 160
1 1/4"	80 80 160 160 160
1 1/2"	80 80 160 160 160
2"	80/STD 160/STD 160/SH 160/SH

GENERAL NOTES

- ELECTRICAL CLASSIFICATION: CLASS 1, DIV. 2, GROUP D
- COMPRESSOR OIL TYPE: CONG1
- ENGINE OIL TYPE: ESSO GMA-40 OR EQUAL
- COOLANT TYPE: 50/50 EG
- LUBE OIL CAPACITIES: 7.5 GALLONS
- ENGINE: 22 GALLONS
- COOLANT CAPACITY: 45 US GALLONS
- SYSTEM TOTAL:

NOTES

1. TAKE FROM TOP OF PIPE
- TUBING TO BE SS. FITTINGS TO BE CADIUM PLATED W/ SS
- PRIMARY FERRULE & CS SECONDARY FERRULE
- INTRINSICALLY SAFE WIRING TO BE TWO CONDUCTOR, 18 AWG, PVC COVERING AND PVC SHEATH, TINNED COPPER WITH STAINLESS STEEL BRAD.
- ALL PROCESS PIPING TO COMPLY WITH ANSI B31.3

REV.

REV.	DATE	BY	APPR.	DESCRIPTION
2	SEP 21/05	T.K.		AS-BUILT
1	SEP 02/05	J.H.		ADD BYPASS, CHANGE TO SOUR
0	APR 06/05	J.S.		ISSUED FOR CONSTRUCTION

CONCEPT COMPRESSOR CORP.

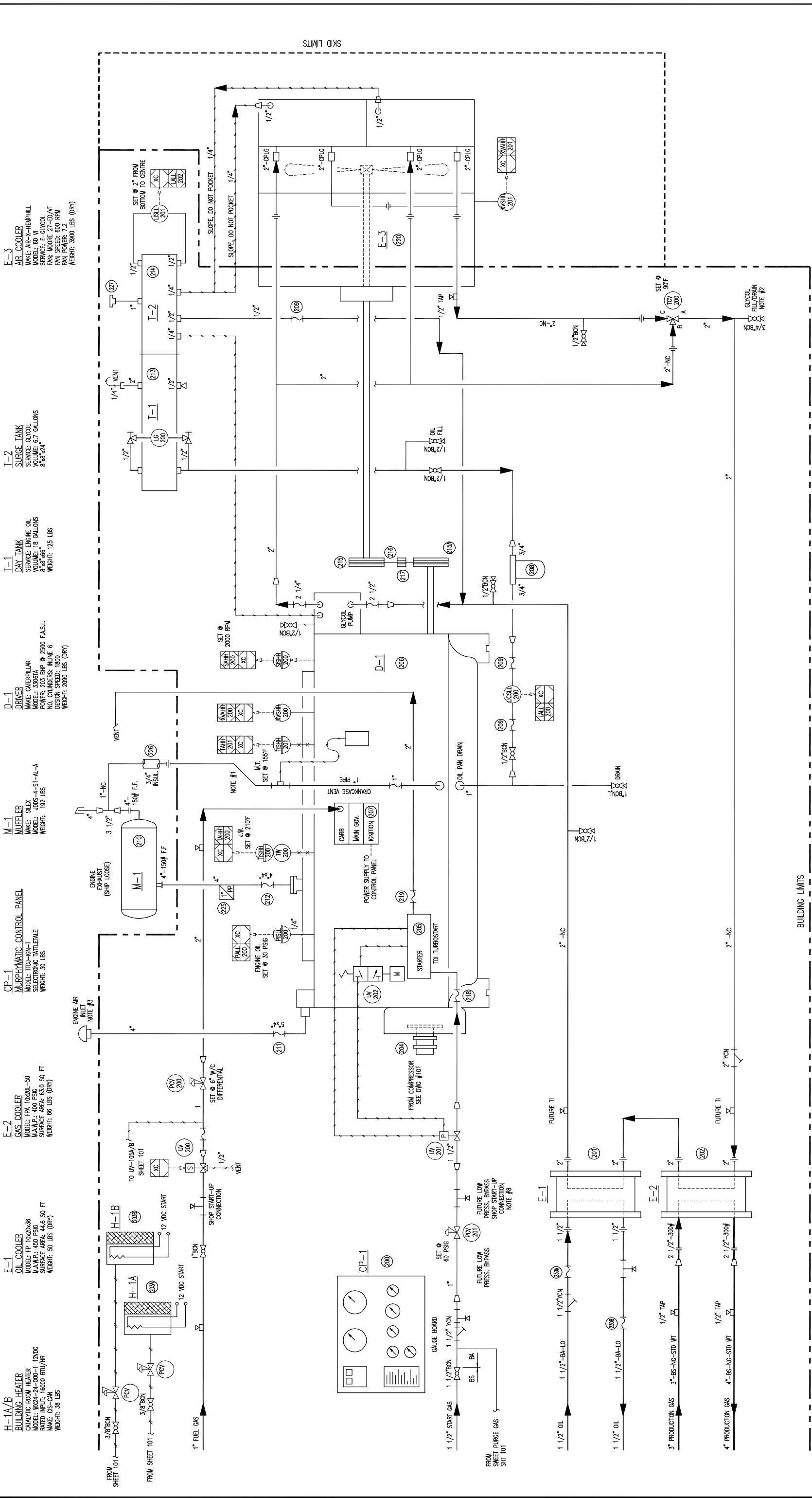
P&ID CC180-H UNIT
CC180-L UNIT PDR
NCC JOB# 15630

FOR: SAMSON CANADA
RIGEL BOOSTER
LSD: 03-07-88-16 W6M

DATE: SEP 02/05
BY: J.SILVER
CHK: []
APP: []
REV: 100421

FIG. 2

THIS DRAWING IS THE EXCLUSIVE PROPERTY OF CONCEPT COMPRESSOR CORP. AND CANNOT BE REPRODUCED WITHOUT THE PERMISSION OF CONCEPT COMPRESSOR CORP.



E-3
AIR COOLER
MAKE: AIR-X-HEMPHILL
MODEL: 60 V
SERV: 120V
CAP: 1000 BTU/HR
FAN SPEED: 600 RPM
FAN POWER: 7.2
WEIGHT: 3500 LBS (DRY)

I-2
SURGE TANK
SERVICE: GLYCOL
VOLUME: 6.7 GALLONS
8' X 8' X 4'

I-1
DAY TANK
SERVICE: ENGINE OIL
VOLUME: 18 GALLONS
8' X 8' X 6'
WEIGHT: 125 LBS

D-1
DRIVER
MAKE: CATERPILLAR
MODEL: 3306TA
POWER: 25 HP @ 2500 F.A.S.L.
DESIGN SPEED: 1800 RPM
WEIGHT: 2000 LBS (DRY)

M-1
MUFFER
MAKE: SILEX
MODEL: JDD5-4-S1-A-A
WEIGHT: 192 LBS

CP-1
MURPHATOMIC CONTROL PANEL
MODEL: TTD-GR-T
ELECTRONIC INTELME
WEIGHT: 30 LBS

E-2
GAS COOLER
MODEL: FPA 1020L-50
MAK: FPA
SERV: 120V
CAP: 1000 BTU/HR
WEIGHT: 66 LBS (DRY)

E-1
OIL COOLER
MODEL: FP 1020L-36
MAK: FPA
SERV: 120V
CAP: 1000 BTU/HR
WEIGHT: 30 LBS (DRY)

H-1A/B
BUILDING HEATER
CATALYTIC ROOM HEATER
MODEL: WK24-24-000-1 12VDC
MAK: WATSON
SERV: 120V
CAP: 1000 BTU/HR
WEIGHT: 38 LBS

CONCEPT
COMPRESSION CORP.

SAMSON CANADA
RIGEL BOOSTER
LSD: 03-07-88-16 WGM
100421-102

PROJECT: CC180-L UNIT PDR
JOB#: 15650

REV.	DATE	BY	APPV.
2	SEP 21/05	T.K.	
1	SEP 02/05	J.H.	
0	APRIL 06/05	J.S.	

NOTES

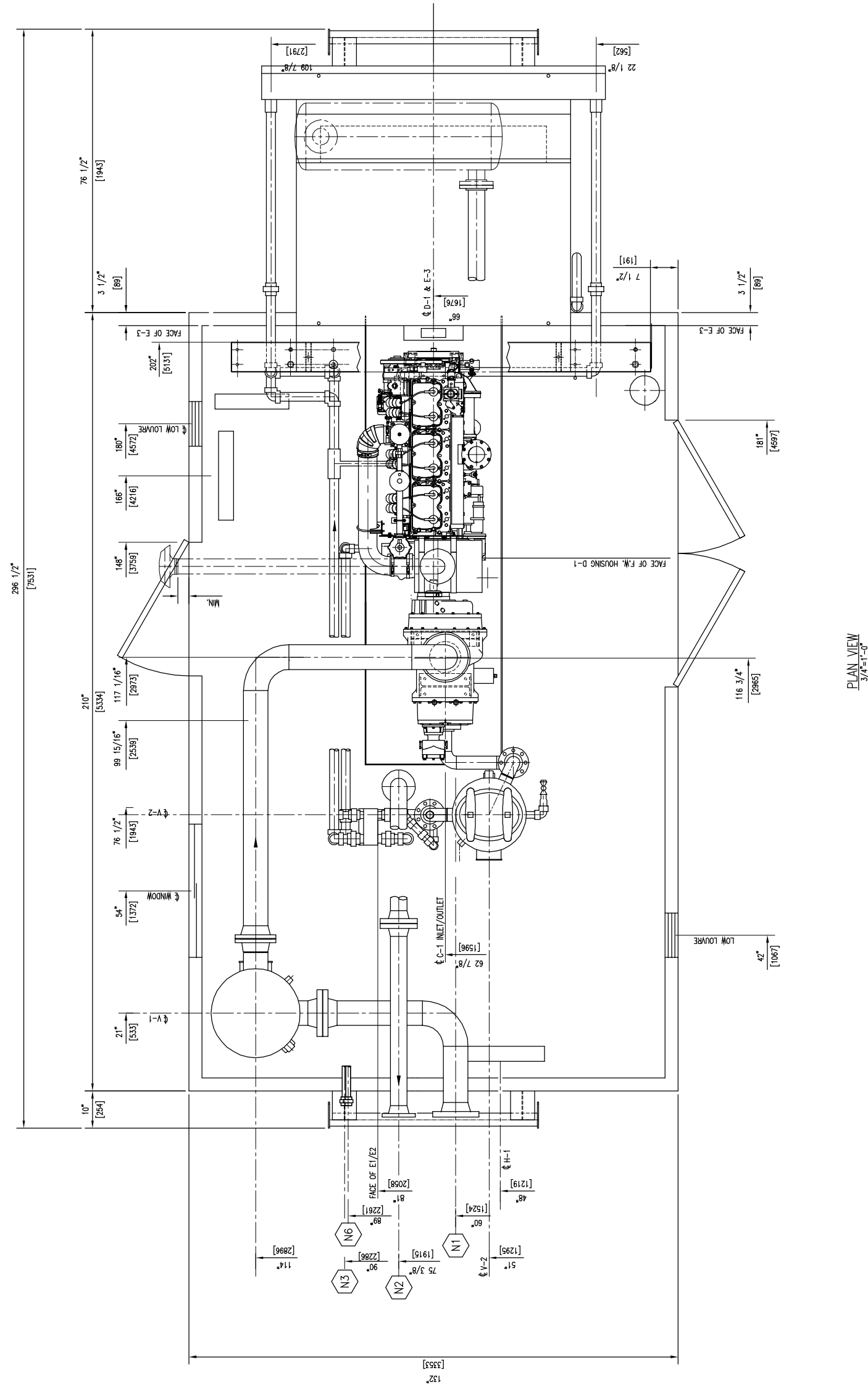
- SLOPE DO NOT TRAP. MAX. PRESSURE OF CRANKCASE +/- 0.5" W.C.
- LOWEST POINT ON SYSTEM
- RAIN CAP. SUPPLIED WITH ENGINE
- MOUNT AS CLOSE TO CARBURETOR AS OPERATIONALLY POSSIBLE
- TAKE OFF FOR STARTER TO BE AS CLOSE TO STARTER AS POSSIBLE

GENERAL NOTES

NPT/SW PIPE WT CHART		PIPE SPECIFICATION	
IN	WT	IN	WT
1/2"	80	BA	CA
3/4"	80	AS	BS
1"	80	XXH	XXH
1 1/4"	80	160	160
1 1/2"	80	160	160
2"	80/STD	160/STD	160/STD

SKID EDGE CONNECTIONS

MARK	SERVICE	SIZE	RATING	TYPE
N1	GAS INLET	6"	150#	RFWN
N2	GAS OUTLET	4"	300#	RFWN
N3	DRAIN	1"	3000#	NPT UNION
N6	PURGE & FUEL GAS SUPPLY	1"	3000#	NPT UNION



PLAN VIEW
3/4"=1'-0"

GENERAL ARRANGEMENT

DATE	BY	APP. BY	REV.	DESCRIPTION
SEP 21/05	T.K.		2	AS-BUILT
SEP 06/05	J.H.		2	ADD PURGE SYSTEM
MAY 9/05	E.P.		1	LONGER SKID
			0	ISSUED FOR CONSTRUCTION

CC180 PDR UNIT
E&O JOB# 15630

DATE: 100421

FOR: SAMSON CANADA
RIGEL BOOSTER
LSD: 03-07-88-16 W6M

100421-201

NOTES

11. SURFACE PREP.: - SELF PRIMING PAINT, SEE BELOW
PRIMER: 1 s/c GENERAL PAINT 16010, SELF PRIMING PAINT, GLOSS URETHANE ENAMEL, CONCEPT TAN
PAINT: 1 s/c GENERAL PAINT 16010, SELF PRIMING PAINT, GLOSS URETHANE ENAMEL, CONCEPT TAN
12. SHIPPING WEIGHT IS APPROX:
13. ROOF VENTS REMOVED FOR SHIPPING

GENERAL NOTES

1. ALL DIMENSIONS OUTSIDE OF BRACKETS ARE IN INCHES.
2. ALL DIMENSIONS WITHIN [] ARE IN MM.
3. ALL TAIL DIMENSIONS ARE FROM DATUM.
4. ALL WELDED PIPING TO BE HYDROTESTED TO BS1.3
5. ALL PROCESS PIPING TO BE LEAK TESTED TO BS1.3
6. ALL PIPING TO BE SUBJECT TO 100% RADIOGRAPHY.
7. WELDING PROCEDURES TO BE PERFORMED TO MEET A Z21 HRC HARDNESS TEST.
8. TUBING TO BE SS. FITTINGS TO BE CADMIUM PLATED W/ SS PRIMARY FERRULE & CS SECONDARY FERRULE.
9. ALL PIPING & TUBING TO BE SUPPORTED AS REQ'D.
10. ALL PIPING TO COMPLY WITH ANSI B31.3 & THE SPECS PER C.C.C.
 - NG-NOM CODE
 - NA-150 CLASS SHEET
 - BA-300 CLASS SHEET
 - AS-150 CLASS SOOR
 - BS-300 CLASS SOOR
7. SEE CHART FOR TYPING/FITTING FOR MATERIAL/RATING REQ.

REV. DATE DESCRIPTION

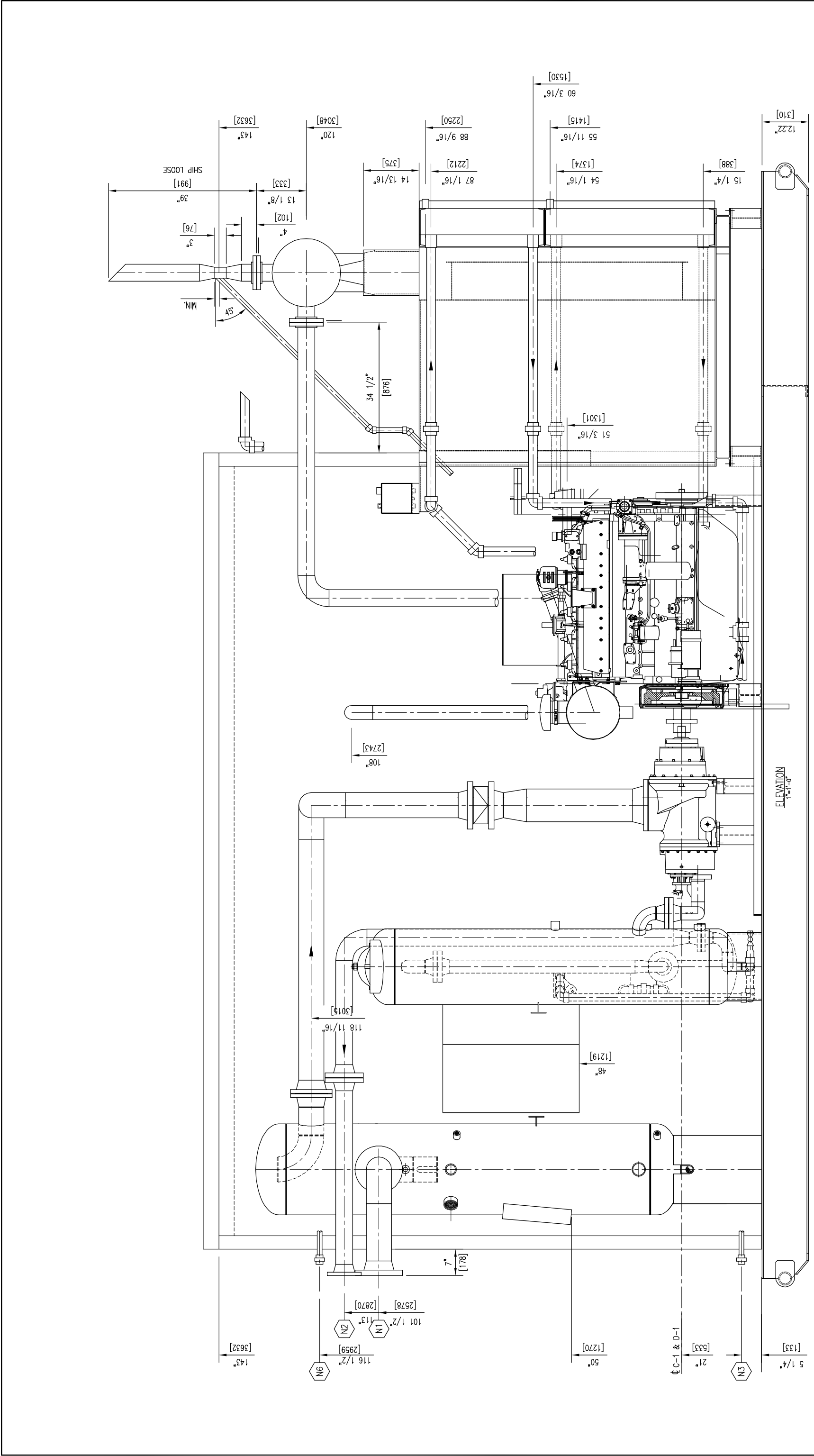
REV.	DATE	DESCRIPTION
0		ISSUED FOR CONSTRUCTION
1		LONGER SKID
2		ADD PURGE SYSTEM
2		AS-BUILT

CONCEPT
COMPRESSION CORP.

DATE: 100421

FOR: SAMSON CANADA
RIGEL BOOSTER
LSD: 03-07-88-16 W6M

100421-201



GENERAL NOTES

1. ALL DIMENSIONS OUTSIDE OF BRACKETS ARE IN INCHES.
2. ALL DIMENSIONS WITHIN [] ARE IN MM.
3. ALL TUB DIMENSIONS ARE FROM DATUM.
4. ALL WELDED PIPING TO BE HYDROTESTED TO BS1.3
5. ALL PROCESS PIPING TO BE LEAK TESTED TO BS1.3
6. ALL BRIG TO BE SUBJECT TO 100% RADIOGRAPHY.
7. WELDING PROCEDURES TO BE PERFORMED TO MEET A Z27 HRC HARDNESS TEST.
8. SEE CHART FOR TYPING/FITTING FOR MATERIAL/RATING REQ.

NOTES

11. SURFACE PREP.: - SELF PRIME PAINT, SEE BELOW
PRIMER: 1 s/c GENERAL PAINT 16010, SELF PRIME PAINT 16010, SELF PRIME PAINT, GLOSS URETHANE ENAMEL, CONCEPT TAN
PAINT: 1 s/c GENERAL PAINT 16010, SELF PRIME PAINT 16010, SELF PRIME PAINT, GLOSS URETHANE ENAMEL, CONCEPT TAN
12. SHIPPING WEIGHT IS APPROX:
13. ROOF VENTS REMOVED FOR SHIPPING

GENERAL ARRANGEMENT

ELEVATION
CC180 PDR UNIT
E&D JOB# 15630

DATE DATE DATE DATE DATE DATE DATE DATE
BY: E. PETERS BY: E. PETERS BY: E. PETERS BY: E. PETERS BY: E. PETERS BY: E. PETERS BY: E. PETERS BY: E. PETERS

REV.

REV.	DESCRIPTION	DATE	BY	APPR.
2	AS-BUILT	SEP 21/05	T.K.	
1	ADD PURGE SYSTEM	SEP 06/05	J.H.	
0	ISSUED FOR CONSTRUCTION		E.P.	

CONCEPT
COMPRESSION CORP.

SAMSON CANADA
RIGEL BOOSTER
LSD: 03-07-88-16 W6M
100421-202