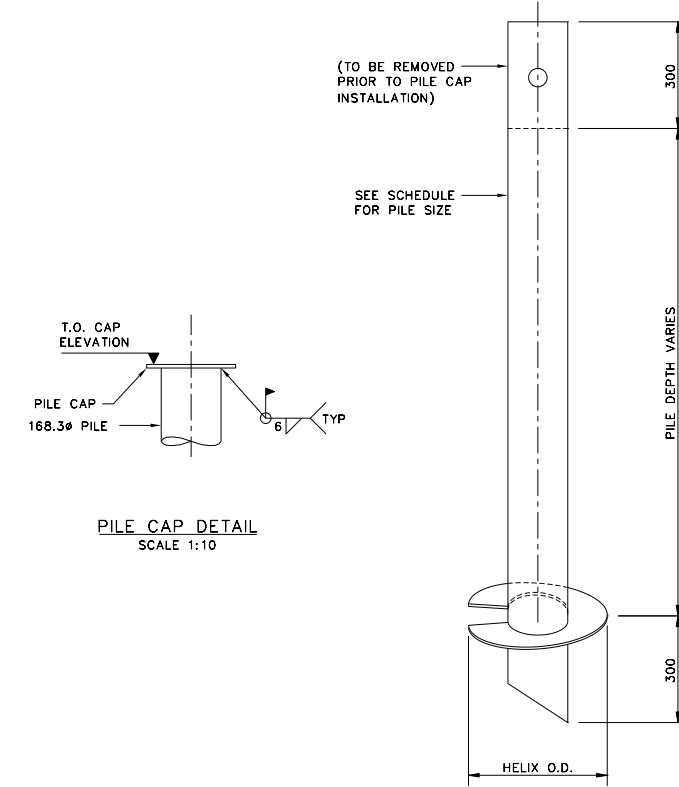


PILE LOCATION PLAN
SCALE 1:25

SCREW PILE SCHEDULE							
PILE NUMBER	LOCATION	PILE TYPE	PILE SIZE mm	WALL THICKNESS mm	HELIX O.D. mm	PILE CAP ELEVATION m	PILE CAP DIMENSIONS mm
P-040 TO P-060	DEHY BUILDING	SINGLE HELIX SCREW PILE	168.3	7.11	305	100.000	250 x 250 x 10



PILE CAP DETAIL
SCALE 1:10

SINGLE HELIX SCREW PILE
DETAIL
SCALE: N.T.S.

NOTES:

- PILES SHALL BE OPEN ENDED STEEL PIPE. PIPE SIZE AS INDICATED ON SCHEDULE.
- SCREW PILES SHALL BE INSTALLED TO A MINIMUM TORQUE OF 10000 ft lbs (13.5 kJ).
- PILE SPLICE WELDS, WHEN REQUIRED, SHALL BE FULL PENETRATION WELDS AND SHALL CONFORM TO CSA W59. WELDING ELECTRODES SHALL BE LOW HYDROGEN TYPE E48018.
- PIPE MATERIAL SHALL BE ASTM A252 GRADE 2 OR 3, EQUIVALENT OR BETTER. PILE CAP MATERIAL SHALL CONFORM TO CSA G40.21, GRADE 300W.
- SCREW PILES SHALL BE PLACED TO THE FOLLOWING TOLERANCES:
- NOT MORE THAN 2% OF LENGTH OFF PLUMB
- NOT MORE THAN 25mm OFF CENTER
- CONTRACTOR SHALL MAINTAIN A DETAILED RECORD OF PILE INSTALLATION, INCLUDING PILE SIZE, PILE LOCATION, OVERALL INSTALLED LENGTH, TORQUE ACHIEVED, AND TIME REQUIRED FOR INSTALLATION.
- ALL PILES SHALL BE INSTALLED CONTINUOUSLY ONCE INSTALLATION HAS BEEN INITIATED.
- ALL PILES TO BE INSTALLED SHALL BE PROVIDED WITH COUPLERS FOR INSTALLATION. COUPLERS SHALL BE REMOVED PRIOR TO INSTALLATION OF STRUCTURAL STEEL WORK.
- ALL PILES SHALL BE SINGLE-HELIX SCREW PILES.
- PRE DRILL PILE TO BELOW FROST LINE PRIOR TO INSTALLATION.
- PILE DEPTH IS 6m MINIMUM.
- ALL ELEVATIONS ARE REFERENCED FROM THE BOTTOM OF THE COMPRESSOR SKID.
- PILING CONTRACTOR SHALL INVESTIGATE PILING LOCATIONS PRIOR TO INSTALLATION; FOR EXISTING BURIED PIPE.

REFERENCE DRAWINGS	DWG. NO.	NO.	DATE (YYYY-MM-DD)	PROJECT DESCRIPTION	PROJ.	AFE	EPCM Co.	EPCM No.	APPD.	ISSUE STAGE	DATE (YYYY-MM-DD)	BY	CHKD.	APPD.	PERMIT STAMP	ENGINEER'S STAMP
		1	2005-10-13	CUTBANK RIDGE SWEET WELL TIE -IN	-	-	CIMARRON	ECC458	HC	Prelim.	-	-	-	-		
										Bid	-	-	-	-		
										Constr.	2005-10-20	MGK	JL	AP		
										As-built	-	-	-	-		

CAUTION : READ BEFORE EXCAVATION
ALL EXCAVATIONS MUST BE CARRIED OUT AS PER "ENCANA'S GROUND DISTURBANCE PRACTICE"

MAIN FAC: COMP. STN. D-59-A
 DRAW NO: D-59-A/93-P-8
 FAC TYPE: COMPRESSOR STATION
 SITE NO: D-59-A/93-P-8
 SCALE: 1:25 (A1 Size) EPCM No: ECC458

EPCM Co: CIMARRON ENGINEERING LTD.
 TITLE: DEHY BUILDING PILING PLAN (G-300)
 WELLSITE d-A59-A/93-P-8

PERMIT STAMP AND PROFESSIONAL STAMP AFFIXED ABOVE SHALL APPLY ONLY TO REV(4) 1C

AREA: CUTBANK RIDGE CLASS: R FILE NO: CBR0613A