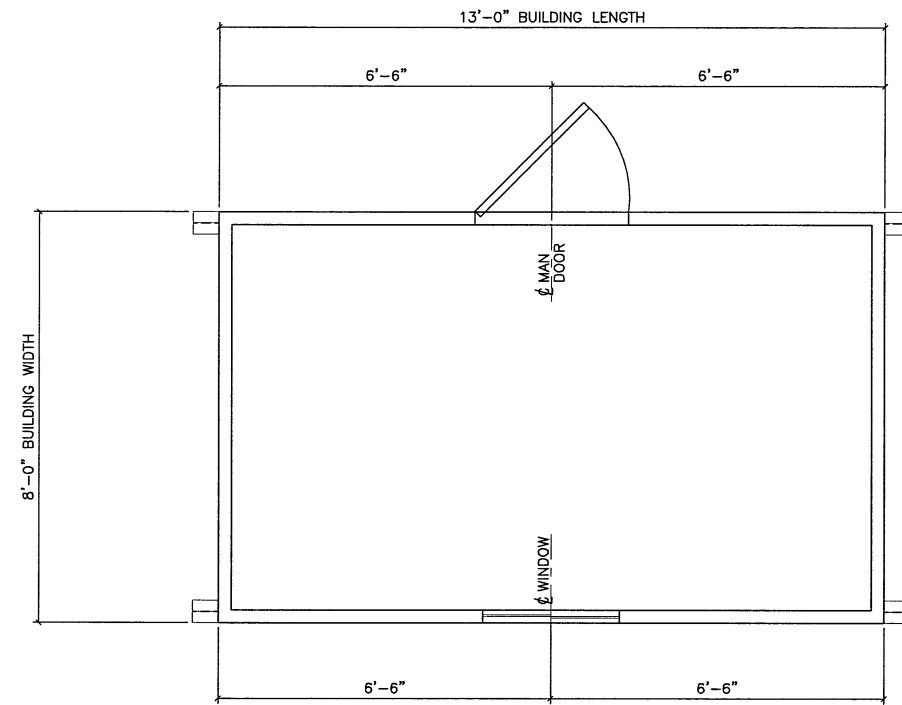
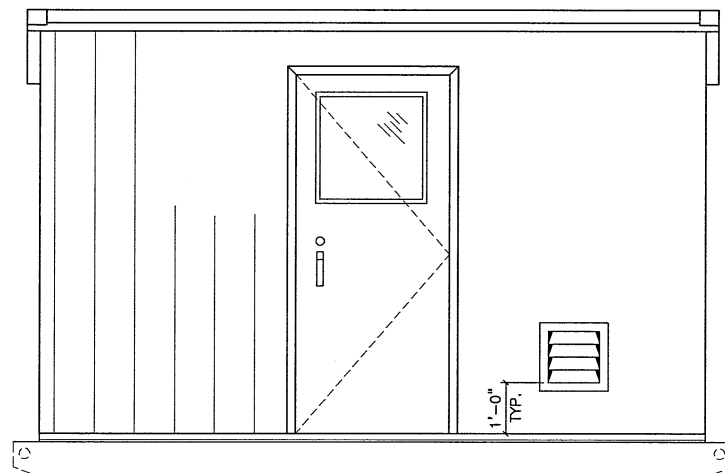


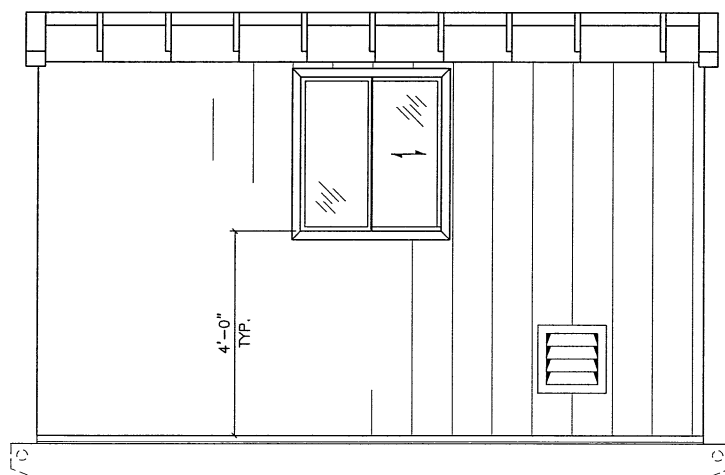
REFERENCE



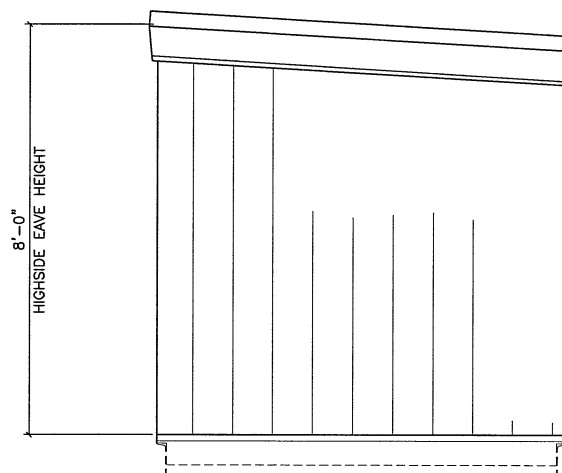
FLOOR PLAN VIEW



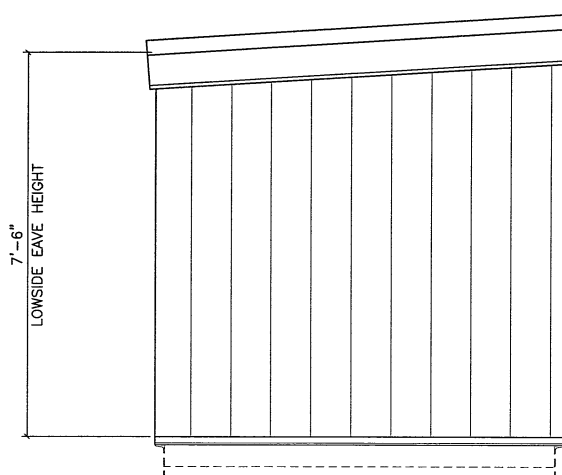
WEST ELEVATION



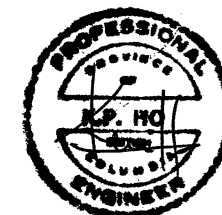
EAST ELEVATION



SOUTH ELEVATION

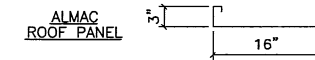


NORTH ELEVATION



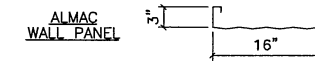
ROOF CONSTRUCTION:

- 22 GA. PREPAINTED STEEL INTERLOCKING STRUCTURAL RIB ROOF PANELS. C/W 8000 SERIES PAINT SYSTEM, TO COLOUR: TAN (QC-8315)
- 26 GA. STEEL INSULATION RIBS AT ROOF PANEL JOINTS.
- R12 (3") FIBREGLASS BATT INSULATION.
- 6 MIL POLY VAPOUR BARRIER.
- 24 GA. PREPAINTED ALUMINUM FLUTED PROFILE LINER PANELS, TO COLOUR: WHITE



WALL CONSTRUCTION:

- 22 GA. PREPAINTED STEEL INTERLOCKING STRUCTURAL RIB WALL PANELS. C/W 8000 SERIES PAINT SYSTEM, TO COLOUR: TAN (QC-8315)
- R12 (3") FIBREGLASS BATT INSULATION.
- 6 MIL POLY VAPOUR BARRIER.
- 24 GA. PREPAINTED ALUMINUM FLUTED PROFILE LINER PANELS, TO COLOUR: WHITE



TRIM COLOURS:

- GABLE FLASHING AND ALL NOTED FLASHINGS ARE TO BE FORMED FROM 8000 SERIES PREPAINTED STEEL MATERIAL, TO COLOUR: METRO BROWN (QC-8228)

ACCESSORIES:

- (A) ONE ONLY 3'-0" x 7'-0" STEEL INSULATED EXTERIOR MAN DOOR C/W HARDWARE AS FOLLOWS:
- *DOOR LEAF-20 GA. STEEL 45mm THK HONEYCOMB CORE (R4)
 - *DOOR FRAME-16 GA. PRESSED STEEL
 - *BUTT HINGES-"STANLEY" #BB1409 x 114x102 x 26D
 - *PANIC HARDWARE-"VON DUPRIN" #44TP
 - *LOCK CYLINDER-"DOREX" #501 RIM KA x C26D
 - *GLASS-24" x 24", SINGLE GLAZED (I.W.G.)
 - *CHECKCHAIN-"CANAROPA" #3548
 - *THRESHOLD-"PEMKO" #1700A (ALUMINUM)
 - *WEATHERSTRIP-"PEMKO" #306AV (ALUM./VINYL)
 - *SWEEP-"PEMKO" #315CN (ALUM./NEOPRENE)
- DOOR LEAF FINISH: METRO BROWN (QC-8228)
DOOR FRAME FINISH: METRO BROWN (QC-8228)

- (B) ONE ONLY 32" WIDE x 36" HIGH (NOM. SIZE), DOUBLE GLAZED ALUMINUM SLIDING WINDOW C/W LOCK, FIBREGLASS CLOTH HALF SCREEN AND PLAIN GLASS.
FRAME FINISH: METRO BROWN (QC-8228)

- (C) TWO ONLY 12" WIDE x 12" HIGH, ADJUSTABLE ALUMINUM LOUVERS, C/W EXTRUDED ALUMINUM BLADES MANUAL CONTROLS AND BIRD SCREEN.
FINISH: MILL FINISHED ALUMINUM

GENERAL NOTES:

1. ALL EXTERIOR SCREWS ARE TO BE CADMIUM PLATED.
2. BUILDING PACKAGE INCLUDES BASE FLASHING (TO MATCH WALL COLOR).

BUILDING MATERIAL SPECIFICATIONS

PREPAINTED STEEL c/w GALVANIZED SUBSTRATE - A653, G90, Gr 37
c/w GALVALUME SUBSTRATE - A792, AZ150, Gr 37
PLAIN GALVANIZED STEEL - A653, G90, Gr 37
PLAIN GALVALUME STEEL - A792, AZ165, Gr 37

BUILDING DESIGN LOADS (kPa) - FORT ST. JOHN, BC LOADS (BCBC 2012)

GROUND SNOW LOAD - $S_s = 2.80$, $S_r = 0.10$
WIND LOAD $q_{1/10} = 0.30$ $q_{1/50} = 0.39$
SEISMIC ZONE - $S_a(0.2) = 0.096$, $S_a(0.5) = 0.061$, $S_a(1.0) = 0.032$
 $S_a(2.0) = 0.019$, $PGA = 0.054$
IMPORTANCE FACTOR = 1.00 U.N.O.

REV.	DESCRIPTION	BY	DATE
AS BUILT		DJK	2012/07/23

Almac Metal Industries Ltd.

6140-78th AVENUE
EDMONTON, ALBERTA
T6B 0A6

PHONE: (780) 465-0861
FAX: (780) 465-4198

CLIENT: BRASS APPLE

TITLE: WATER TRANSFER PUMP BUILDING

LOCATION: FORT ST. JOHN, B.C.

SHEET DESCRIPTION: PLAN AND ELEVATION VIEWS

DRAWN BY: DJK

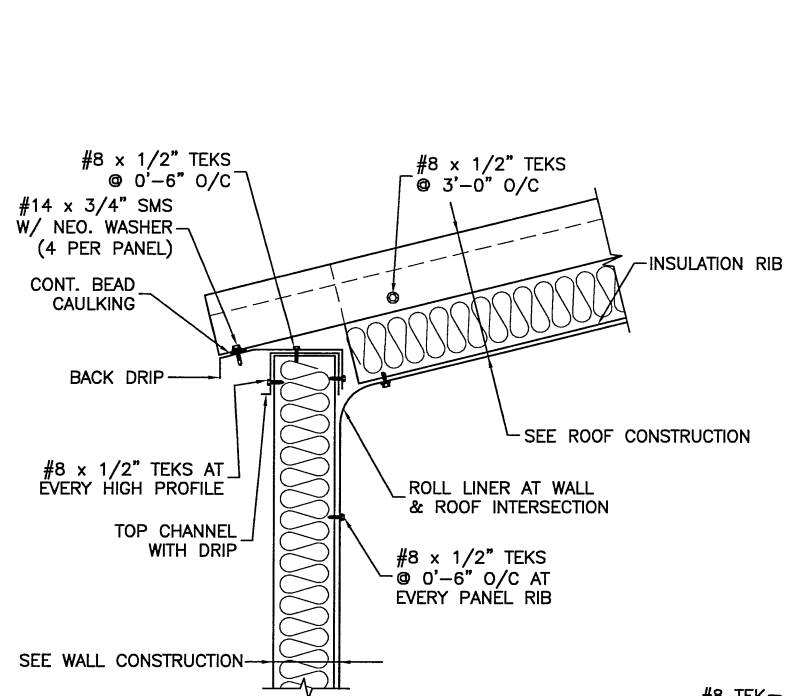
SCALE: 3/16" = 1'-0"

DATE: 2012/07/23

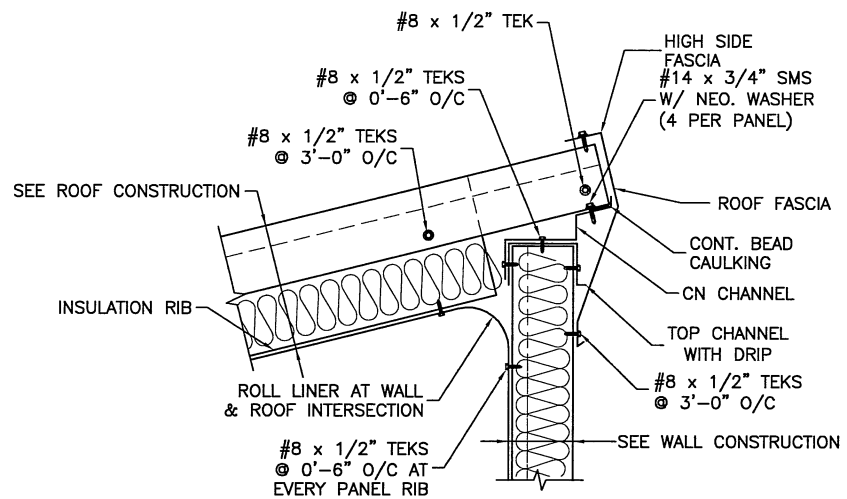
JOB NUMBER: 12260

SHEET: 1

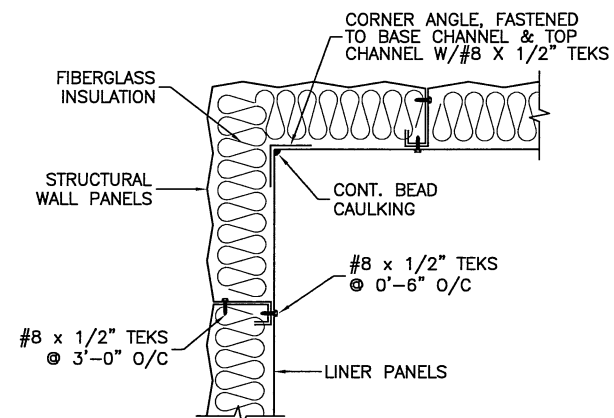
REV. 0



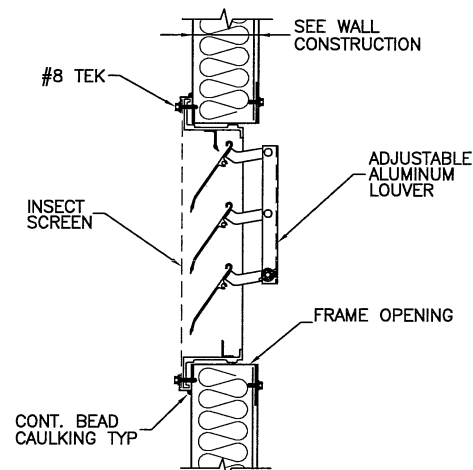
LOWSIDE EAVE DETAIL



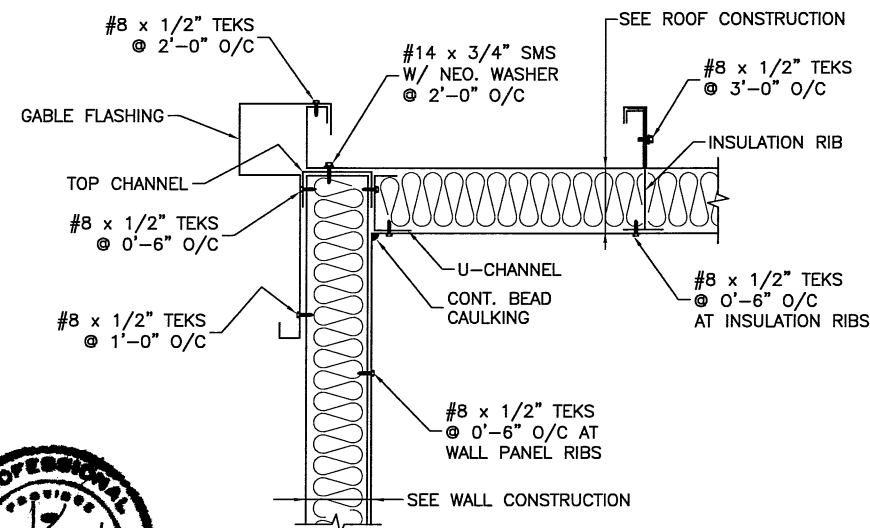
HIGHSIDE EAVE DETAIL



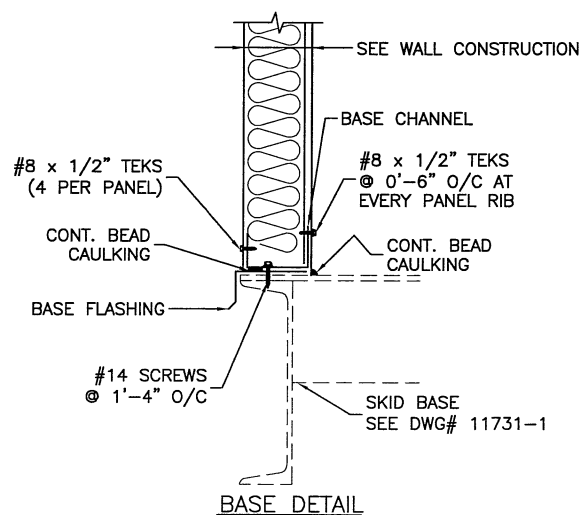
BUILDING CORNER DETAIL



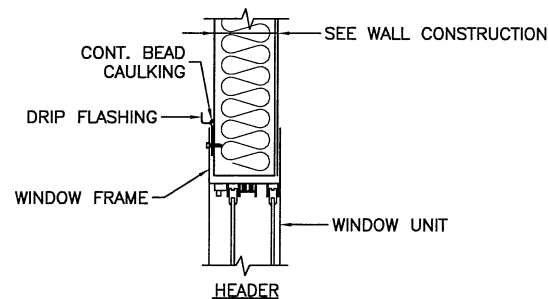
ADJUSTABLE LOUVER DETAIL



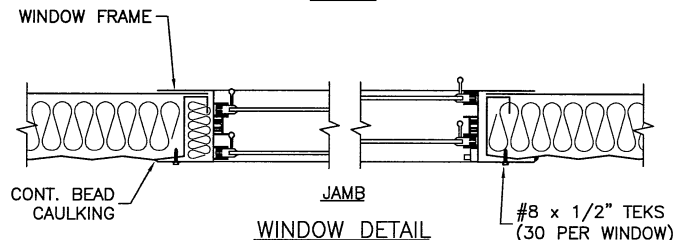
GABLE DETAIL



BASE DETAIL



WINDOW DETAIL



JUN 11/13

AS BUILT	DJK	2012/07/23
REV.	DESCRIPTION	BY DATE

Almac Metal Industries Ltd.
 6140-76th AVENUE PHONE: (780) 465-0861
 EDMONTON, ALBERTA FAX: (780) 465-4198
 T6B 0A6

CLIENT: BRASS APPLE DRAWN BY: DJK CHECKED BY:
 TITLE: WATER TRANSFER PUMP BUILDING SCALE: NTS
 DATE: 2012/07/23
 LOCATION: FORT ST. JOHN, B.C. JOB NUMBER SHEET
 SHEET DESCRIPTION: TYPICAL BUILDING DETAILS 12260 12260-2
 REV. 0