

MATCHLINE SEE DRAWING # TAT-02-PD-01-H

MATCHLINE SEE DRAWING # TAT-02-PD-01-K

LINE LEGEND	
GAS:	
FUEL & START GAS:	
FRESH & SPENT CHEMICAL:	
WATER:	
FLARE & VENT:	
INSTRUMENT AIR:	

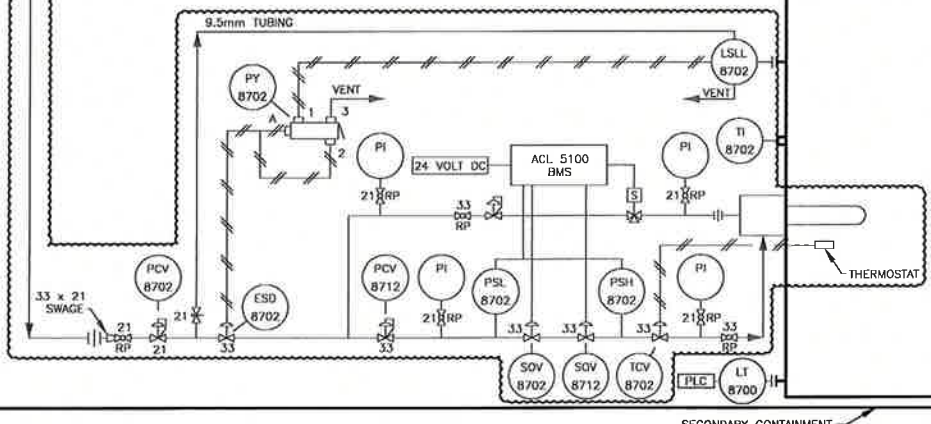
60 BLIND FLANGE
TAPPED 3/4 NPT.

000-33-E1 (FUEL GAS)

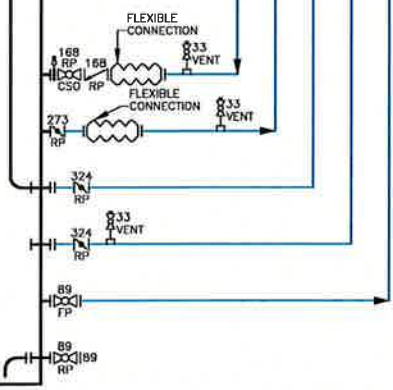
FUTURE

PLC PSHH 8702
PLC LSHH 8702

S-8702
1000 bbl.
HEATED WATER
STORAGE TANK
INTERNALLY COATED



SECONDARY CONTAINMENT



AS BUILT

SOUR SERVICE

WARNING

ALL DIMENSIONS MUST BE CONFIRMED
PRIOR TO COMMENCING CONSTRUCTION

NOTES:

- 1. DO NOT SCALE DRAWING.
- 2. REFER TO DRAWING # TAT-02-LP-01-A FOR REMAINDER OF NOTES.

Rev	Date	Dwn	Chk	Project No	Description
D	11-01-04	SR		EOGR-2248	AS BUILT
C	10-04-30	SR		EOGR-2248	ISSUED FOR CONSTRUCTION
B	10-04-15	SR		EOGR-2248	ISSUED FOR TENDER
A	10-04-15	SR		EOGR-2248	NEW DRAWING

P & ID
COMPRESSOR STATION AT
d-35-E/94-0-10

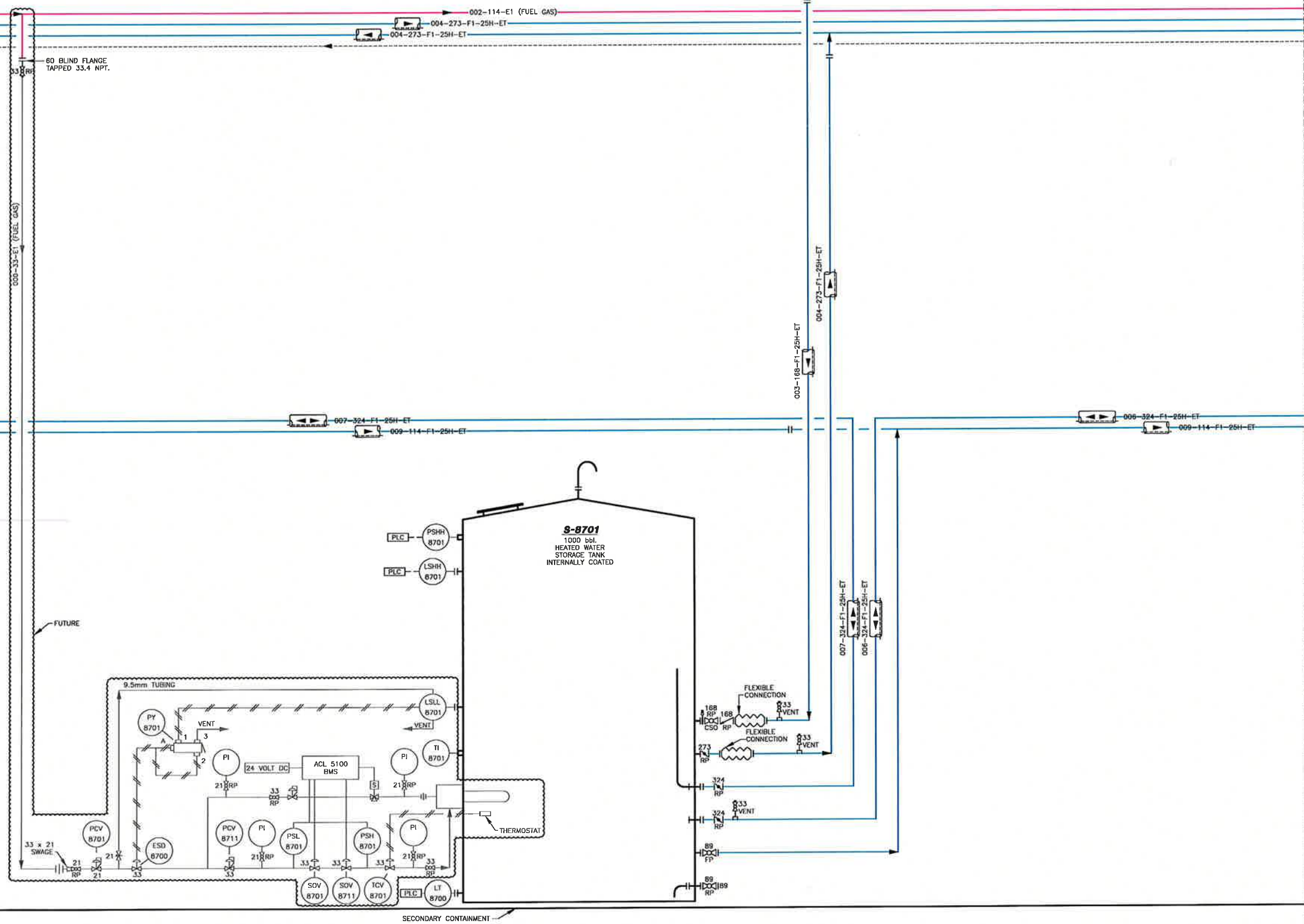
Scale 1:30
Dimensions in mm
TAT-02-PD-01-J
Rev D

MATCHLINE SEE DRAWING # TAT-02-PD-01-J

MATCHLINE SEE DRAWING # TAT-02-PD-01-L

LINE LEGEND	
GAS:	
FUEL & START GAS:	
FRESH & SPENT CHEMICAL:	
WATER:	
FLARE & VENT:	
INSTRUMENT AIR:	

60 BLIND FLANGE
TAPPED 33.4 NPT.



AS BUILT

SOUR SERVICE

WARNING
ALL DIMENSIONS MUST BE CONFIRMED
PRIOR TO COMMENCING CONSTRUCTION

NOTES:

- DO NOT SCALE DRAWING.
 - REFER TO DRAWING # TAT-02-LP-01-A FOR REMAINDER OF NOTES.
- | Rev | Date | Dwn | Chk | Project No | Description |
|-----|----------|-----|-----|------------|-------------------------|
| D | 11-01-04 | SR | | EOGR-2248 | AS BUILT |
| C | 10-04-30 | SR | | EOGR-2248 | ISSUED FOR CONSTRUCTION |
| B | 10-04-15 | SR | | EOGR-2248 | ISSUED FOR TENDER |
| A | 10-04-15 | SR | | EOGR-2248 | NEW DRAWING |



TATTOO

P & ID
COMPRESSOR STATION AT
d-35-E/94-0-10

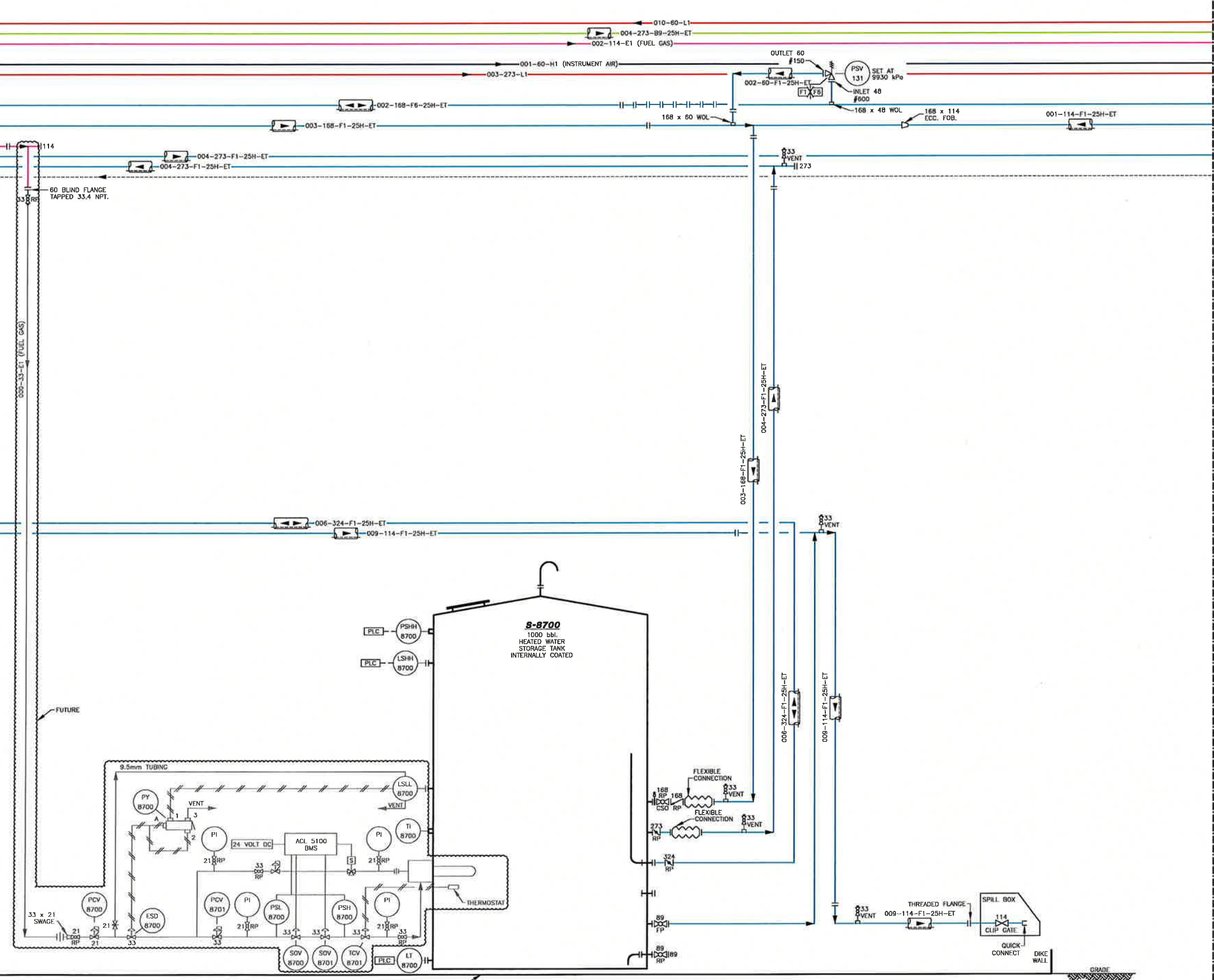
Scale: 1:30
Dimensions in mm
TAT-02-PD-01-K
Rev D
Nimbus Projects Ltd.

MATCHLINE SEE DRAWING # TAT-02-PD-01-K

MATCHLINE SEE DRAWING # TAT-02-PD-01-M

LINE LEGEND

GAS:	
FUEL & START GAS:	
FRESH & SPENT CHEMICAL:	
WATER:	
FLARE & VENT:	
INSTRUMENT AIR:	



AS BUILT

SOUR SERVICE

WARNING

ALL DIMENSIONS MUST BE CONFIRMED PRIOR TO COMMENCING CONSTRUCTION

NOTES:

- DO NOT SCALE DRAWING.
- REFER TO DRAWING # TAT-02-LP-01-A FOR REMAINDER OF NOTES.

Rev	Date	Des	Chk	Project No	Description
D	11-01-04	SR		EOGR-224B	AS BUILT
C	10-04-30	SR		EOGR-224B	ISSUED FOR CONSTRUCTION
B	10-04-15	SR		EOGR-224B	ISSUED FOR TENDER
A	10-04-15	SR		EOGR-224B	NEW DRAWING



P & ID
 COMPRESSOR STATION AT
 d-35-E/94-0-10

GENERAL INFORMATION (1000 BBL)
 159 m³ 1000 (bbl), 4648 mm Dia. x 9754 mm Lg.
DOUBLE WELDED BUTT JOINT STEEL STORAGE TANK
 DESIGN CODE: API 650/API 12F-MODIFIED.
 ASTM A-36 CONICAL FLAT BOTTOM/ENDS
 ASTM A-36 CONICAL FLAT TOP SLOPE 2:12
 ASTM A-36 CYLINDRICAL SHELL

NOZZLE SCHEDULE

ITEM	QTY.	SIZE	TYPE	ELEVATION	SERVICE
N1	1	324 mm	150 RFWN	PEAK	VENT
N2	1	114 mm	150 RFWN	9454 mm	LSHH-700
N3	1	114 mm	150 RFWN	1913 mm	LSLL-700
N4	1	273 mm	150 RFWN	1550 mm	DISCHARGE
N5	1	168 mm	150 RFWN	1272 mm	SUCTION
N6	2	324 mm	150 RFWN	800 mm	EQUALIZATION
N7	1	114 mm	150 RFWN	300 mm	LT-700
N8	1	89 mm	150 RFWN	164 mm	PUMP OUT
N9	1	89 mm	150 RFWN	1300 mm	TRUCK OUT

COLLAR SCHEDULE

ITEM	QTY.	SIZE	TYPE	ELEVATION	SERVICE
C1	1	60 mm	3000# 1/2 CPLG	9604 mm	PSHH-700

INTERNAL COATINGS
 CLEANING: WHITE METAL BLAST
 PRIMER: MANUFACTURER'S RECOMMENDATION
 PAINTING: DEVMAT 100 ON FLOOR, DEVCO 253 ON WALLS AND ROOF
 LINING: Type Thickness

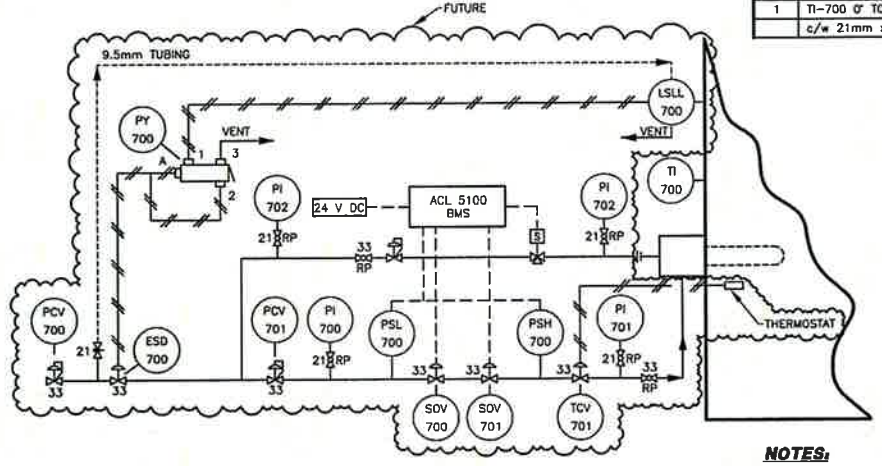
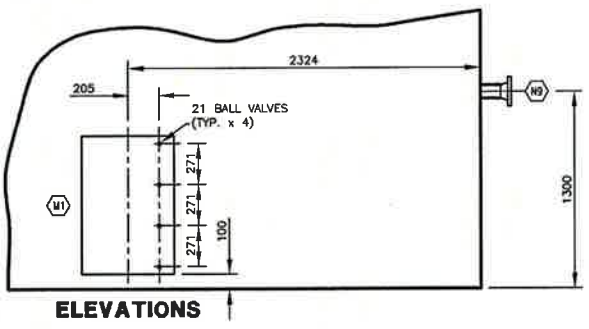
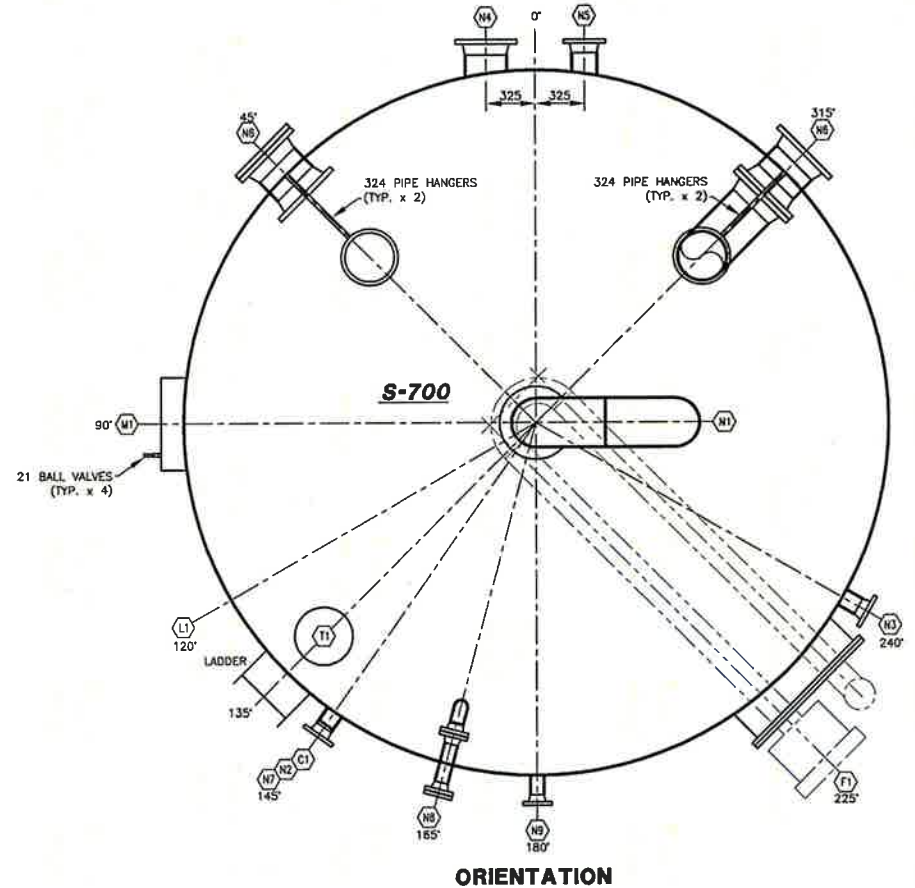
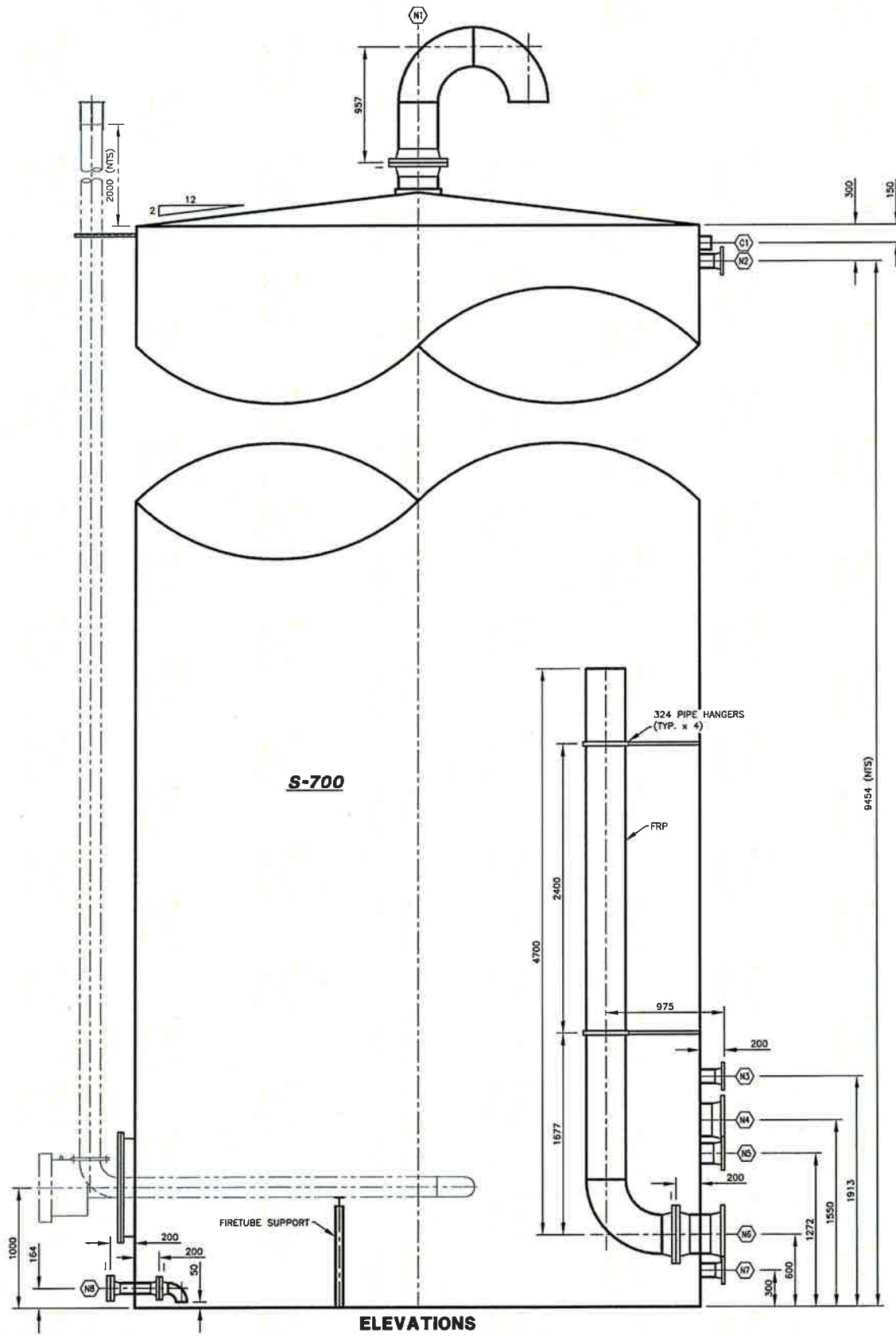
EXTERNAL COATINGS
 CLEANING: BRUSH BLAST PER SSPC-SP7 TO ROOF & SHELL
 PRIMER: 1 COAT DEVTRAN 224 PRIMER TO ROOF & SHELL
 PAINTING: 2 COATS BLACK SURFACE SEALANT
 INSULATION: Type URETHANE Thickness 50 mm
 CLADDING:

ACCESSORIES

ITEM/QTY	ACCESSORIES
L1	STANDARD SOUR SERVICE GAUGE BOARD c/w STAINLESS STEEL CABLES & FITTINGS AND "POLY" LINE
2	LIFTING LUGS LADDER (NO CAGE)
3	TANK ROOF SAFETY HARNESS LUG
M1	STANDARD 610 x 914 MANWAY WITH SPLIT DOOR
T1	THIEF HATCH

FIRE TUBE ASSEMBLY

1	ESDV-700 KIMRAY 112SMT Dc. (REDUCED TRIM)
1	LSLL-700 NORRISSEAL MODEL # L1200N
1	PCV-700 FISHER 912
1	PCV-701 FISHER 627 5-35# SPRING
1	PI-700 0-15mPa DUAL SCALE PRESSURE INDICATOR c/w 100 mm FACE
1	PI-701 0-15mPa DUAL SCALE PRESSURE INDICATOR c/w 100 mm FACE
1	PI-702 0-15mPa DUAL SCALE PRESSURE INDICATOR c/w 100 mm FACE
1	PI-703 0-15mPa DUAL SCALE PRESSURE INDICATOR c/w 100 mm FACE
1	PI-704 0-15mPa DUAL SCALE PRESSURE INDICATOR c/w 100 mm FACE
1	PI-705 0-15mPa DUAL SCALE PRESSURE INDICATOR c/w 100 mm FACE
1	PI-706 0-15mPa DUAL SCALE PRESSURE INDICATOR c/w 100 mm FACE
1	PI-707 0-15mPa DUAL SCALE PRESSURE INDICATOR c/w 100 mm FACE
1	PI-708 0-15mPa DUAL SCALE PRESSURE INDICATOR c/w 100 mm FACE
1	PI-709 0-15mPa DUAL SCALE PRESSURE INDICATOR c/w 100 mm FACE
1	PI-710 0-15mPa DUAL SCALE PRESSURE INDICATOR c/w 100 mm FACE
1	PI-711 0-15mPa DUAL SCALE PRESSURE INDICATOR c/w 100 mm FACE
1	PI-712 0-15mPa DUAL SCALE PRESSURE INDICATOR c/w 100 mm FACE
1	PI-713 0-15mPa DUAL SCALE PRESSURE INDICATOR c/w 100 mm FACE
1	PI-714 0-15mPa DUAL SCALE PRESSURE INDICATOR c/w 100 mm FACE
1	PI-715 0-15mPa DUAL SCALE PRESSURE INDICATOR c/w 100 mm FACE
1	PI-716 0-15mPa DUAL SCALE PRESSURE INDICATOR c/w 100 mm FACE
1	PI-717 0-15mPa DUAL SCALE PRESSURE INDICATOR c/w 100 mm FACE
1	PI-718 0-15mPa DUAL SCALE PRESSURE INDICATOR c/w 100 mm FACE
1	PI-719 0-15mPa DUAL SCALE PRESSURE INDICATOR c/w 100 mm FACE
1	PI-720 0-15mPa DUAL SCALE PRESSURE INDICATOR c/w 100 mm FACE
1	PI-721 0-15mPa DUAL SCALE PRESSURE INDICATOR c/w 100 mm FACE
1	PI-722 0-15mPa DUAL SCALE PRESSURE INDICATOR c/w 100 mm FACE
1	PI-723 0-15mPa DUAL SCALE PRESSURE INDICATOR c/w 100 mm FACE
1	PI-724 0-15mPa DUAL SCALE PRESSURE INDICATOR c/w 100 mm FACE
1	PI-725 0-15mPa DUAL SCALE PRESSURE INDICATOR c/w 100 mm FACE
1	PI-726 0-15mPa DUAL SCALE PRESSURE INDICATOR c/w 100 mm FACE
1	PI-727 0-15mPa DUAL SCALE PRESSURE INDICATOR c/w 100 mm FACE
1	PI-728 0-15mPa DUAL SCALE PRESSURE INDICATOR c/w 100 mm FACE
1	PI-729 0-15mPa DUAL SCALE PRESSURE INDICATOR c/w 100 mm FACE
1	PI-730 0-15mPa DUAL SCALE PRESSURE INDICATOR c/w 100 mm FACE
1	PI-731 0-15mPa DUAL SCALE PRESSURE INDICATOR c/w 100 mm FACE
1	PI-732 0-15mPa DUAL SCALE PRESSURE INDICATOR c/w 100 mm FACE
1	PI-733 0-15mPa DUAL SCALE PRESSURE INDICATOR c/w 100 mm FACE
1	PI-734 0-15mPa DUAL SCALE PRESSURE INDICATOR c/w 100 mm FACE
1	PI-735 0-15mPa DUAL SCALE PRESSURE INDICATOR c/w 100 mm FACE
1	PI-736 0-15mPa DUAL SCALE PRESSURE INDICATOR c/w 100 mm FACE
1	PI-737 0-15mPa DUAL SCALE PRESSURE INDICATOR c/w 100 mm FACE
1	PI-738 0-15mPa DUAL SCALE PRESSURE INDICATOR c/w 100 mm FACE
1	PI-739 0-15mPa DUAL SCALE PRESSURE INDICATOR c/w 100 mm FACE
1	PI-740 0-15mPa DUAL SCALE PRESSURE INDICATOR c/w 100 mm FACE
1	PI-741 0-15mPa DUAL SCALE PRESSURE INDICATOR c/w 100 mm FACE
1	PI-742 0-15mPa DUAL SCALE PRESSURE INDICATOR c/w 100 mm FACE
1	PI-743 0-15mPa DUAL SCALE PRESSURE INDICATOR c/w 100 mm FACE
1	PI-744 0-15mPa DUAL SCALE PRESSURE INDICATOR c/w 100 mm FACE
1	PI-745 0-15mPa DUAL SCALE PRESSURE INDICATOR c/w 100 mm FACE
1	PI-746 0-15mPa DUAL SCALE PRESSURE INDICATOR c/w 100 mm FACE
1	PI-747 0-15mPa DUAL SCALE PRESSURE INDICATOR c/w 100 mm FACE
1	PI-748 0-15mPa DUAL SCALE PRESSURE INDICATOR c/w 100 mm FACE
1	PI-749 0-15mPa DUAL SCALE PRESSURE INDICATOR c/w 100 mm FACE
1	PI-750 0-15mPa DUAL SCALE PRESSURE INDICATOR c/w 100 mm FACE
1	PI-751 0-15mPa DUAL SCALE PRESSURE INDICATOR c/w 100 mm FACE
1	PI-752 0-15mPa DUAL SCALE PRESSURE INDICATOR c/w 100 mm FACE
1	PI-753 0-15mPa DUAL SCALE PRESSURE INDICATOR c/w 100 mm FACE
1	PI-754 0-15mPa DUAL SCALE PRESSURE INDICATOR c/w 100 mm FACE
1	PI-755 0-15mPa DUAL SCALE PRESSURE INDICATOR c/w 100 mm FACE
1	PI-756 0-15mPa DUAL SCALE PRESSURE INDICATOR c/w 100 mm FACE
1	PI-757 0-15mPa DUAL SCALE PRESSURE INDICATOR c/w 100 mm FACE
1	PI-758 0-15mPa DUAL SCALE PRESSURE INDICATOR c/w 100 mm FACE
1	PI-759 0-15mPa DUAL SCALE PRESSURE INDICATOR c/w 100 mm FACE
1	PI-760 0-15mPa DUAL SCALE PRESSURE INDICATOR c/w 100 mm FACE
1	PI-761 0-15mPa DUAL SCALE PRESSURE INDICATOR c/w 100 mm FACE
1	PI-762 0-15mPa DUAL SCALE PRESSURE INDICATOR c/w 100 mm FACE
1	PI-763 0-15mPa DUAL SCALE PRESSURE INDICATOR c/w 100 mm FACE
1	PI-764 0-15mPa DUAL SCALE PRESSURE INDICATOR c/w 100 mm FACE
1	PI-765 0-15mPa DUAL SCALE PRESSURE INDICATOR c/w 100 mm FACE
1	PI-766 0-15mPa DUAL SCALE PRESSURE INDICATOR c/w 100 mm FACE
1	PI-767 0-15mPa DUAL SCALE PRESSURE INDICATOR c/w 100 mm FACE
1	PI-768 0-15mPa DUAL SCALE PRESSURE INDICATOR c/w 100 mm FACE
1	PI-769 0-15mPa DUAL SCALE PRESSURE INDICATOR c/w 100 mm FACE
1	PI-770 0-15mPa DUAL SCALE PRESSURE INDICATOR c/w 100 mm FACE
1	PI-771 0-15mPa DUAL SCALE PRESSURE INDICATOR c/w 100 mm FACE
1	PI-772 0-15mPa DUAL SCALE PRESSURE INDICATOR c/w 100 mm FACE
1	PI-773 0-15mPa DUAL SCALE PRESSURE INDICATOR c/w 100 mm FACE
1	PI-774 0-15mPa DUAL SCALE PRESSURE INDICATOR c/w 100 mm FACE
1	PI-775 0-15mPa DUAL SCALE PRESSURE INDICATOR c/w 100 mm FACE
1	PI-776 0-15mPa DUAL SCALE PRESSURE INDICATOR c/w 100 mm FACE
1	PI-777 0-15mPa DUAL SCALE PRESSURE INDICATOR c/w 100 mm FACE
1	PI-778 0-15mPa DUAL SCALE PRESSURE INDICATOR c/w 100 mm FACE
1	PI-779 0-15mPa DUAL SCALE PRESSURE INDICATOR c/w 100 mm FACE
1	PI-780 0-15mPa DUAL SCALE PRESSURE INDICATOR c/w 100 mm FACE
1	PI-781 0-15mPa DUAL SCALE PRESSURE INDICATOR c/w 100 mm FACE
1	PI-782 0-15mPa DUAL SCALE PRESSURE INDICATOR c/w 100 mm FACE
1	PI-783 0-15mPa DUAL SCALE PRESSURE INDICATOR c/w 100 mm FACE
1	PI-784 0-15mPa DUAL SCALE PRESSURE INDICATOR c/w 100 mm FACE
1	PI-785 0-15mPa DUAL SCALE PRESSURE INDICATOR c/w 100 mm FACE
1	PI-786 0-15mPa DUAL SCALE PRESSURE INDICATOR c/w 100 mm FACE
1	PI-787 0-15mPa DUAL SCALE PRESSURE INDICATOR c/w 100 mm FACE
1	PI-788 0-15mPa DUAL SCALE PRESSURE INDICATOR c/w 100 mm FACE
1	PI-789 0-15mPa DUAL SCALE PRESSURE INDICATOR c/w 100 mm FACE
1	PI-790 0-15mPa DUAL SCALE PRESSURE INDICATOR c/w 100 mm FACE
1	PI-791 0-15mPa DUAL SCALE PRESSURE INDICATOR c/w 100 mm FACE
1	PI-792 0-15mPa DUAL SCALE PRESSURE INDICATOR c/w 100 mm FACE
1	PI-793 0-15mPa DUAL SCALE PRESSURE INDICATOR c/w 100 mm FACE
1	PI-794 0-15mPa DUAL SCALE PRESSURE INDICATOR c/w 100 mm FACE
1	PI-795 0-15mPa DUAL SCALE PRESSURE INDICATOR c/w 100 mm FACE
1	PI-796 0-15mPa DUAL SCALE PRESSURE INDICATOR c/w 100 mm FACE
1	PI-797 0-15mPa DUAL SCALE PRESSURE INDICATOR c/w 100 mm FACE
1	PI-798 0-15mPa DUAL SCALE PRESSURE INDICATOR c/w 100 mm FACE
1	PI-799 0-15mPa DUAL SCALE PRESSURE INDICATOR c/w 100 mm FACE
1	PI-800 0-15mPa DUAL SCALE PRESSURE INDICATOR c/w 100 mm FACE



NOTES:

- DO NOT SCALE DRAWING.

Rev	Date	Dwn	Chk	Project No	Description
C	10-02-22	DDP	EDOR-2248		ISSUED FOR CONSTRUCTION
B	10-02-22	SR	EDOR-2248		ISSUED FOR CONSTRUCTION
A	10-02-22	SR	EDOR-2248		NEW DRAWING

ISSUED FOR CONSTRUCTION

WARNING
 ALL DIMENSIONS MUST BE CONFIRMED PRIOR TO COMMENCING CONSTRUCTION

Milovan

PROFESSIONAL ENGINEER
 TATTOO
 25024
 2020-02-23
 ENGINEER

ENGINEER'S STAMP

PERMIT STAMP

REFERENCE DRAWINGS

TAT-02-TS-01-B	1000 bbl. WATER TANKS
TAT-02-TS-01-C	1000 bbl. WATER TANKS
TAT-02-TS-01-D	1000 bbl. WATER TANKS

LINE SIZE CONVERSIONS

TUBING	6.4 mm	1/4"	21 mm	3/4"	89 mm	3 1/2"
	9.5 mm	3/8"	27.1 mm	1 1/8"	114 mm	4 1/2"
	12.7 mm	1/2"	33.0 mm	1 1/4"	127 mm	5"
	15.9 mm	5/8"	38.1 mm	1 1/2"	152 mm	6"
	25.4 mm	1"	50.8 mm	2"	203 mm	8"

LINE TAG

60-A3-25H-GT
 HEAT TRACE (GT-GLYCOL, ET-ELECTRICAL, OT-HOT OIL)
 INSULATION THICKNESS (mm)
 LINE SPECIFICATION (SEE TABLE)
 LINE SIZE (O.D. IN mm)

SERVICE CODE

A	SWEET NATURAL GAS	F	WATER/STEAM
B	SOUR NATURAL GAS	G	GLYCOL/GLYCOL-WATER
C	SWEET HYDROCARBON LIQUID	H	COMPRESSED AIR
D	SOUR HYDROCARBON LIQUID	I	DRAINS AND VENTS
E	FUEL/INSTRUMENT GAS	M	DEAD OIL

SERVICE RATING

1	150 ANSI	25	2500 ANSI
3	300 ANSI		
6	600 ANSI		
9	900 ANSI		
15	1500 ANSI		

doog resources

TATTOO

TANK SPECIFICATIONS
 S-700 1000 bbl. WATER TANK AT
 d-35-E / 94-0-10

Scale 1:50
 Dimensions in mm

TAT-02-TS-01-A Rev C

Nimbus Projects Ltd.

GENERAL INFORMATION (1000 BBL)
 159 m³ 1000 (bbl), 4848 mm Dia. x 9754 mm Lg.
DOUBLE WELDED BUTT JOINT STEEL STORAGE TANK
 DESIGN CODE: API 650/API 12F-MODIFIED.
 ASTM A-36 CONICAL FLAT BOTTOM/ENDS
 ASTM A-36 CONICAL FLAT TOP SLOPE 2:12
 ASTM A-36 CYLINDRICAL SHELL

NOZZLE SCHEDULE

ITEM	QTY.	SIZE	TYPE	ELEVATION	SERVICE
N1	1	324 mm	150 RFWN	PEAK	VENT
N2	1	114 mm	150 RFWN	9454 mm	LSHH-702
N3	1	114 mm	150 RFWN	1913 mm	LSLL-702
N4	1	273 mm	150 RFWN	1550 mm	DISCHARGE
N5	1	168 mm	150 RFWN	1272 mm	SUCTION
N6	2	324 mm	150 RFWN	600 mm	EQUALIZATION
N7	1	114 mm	150 RFWN	300 mm	LT-702
N8	1	89 mm	150 RFWN	164 mm	PUMP OUT
N9	1	89 mm	150 RFWN	1300 mm	TRUCK OUT

COLLAR SCHEDULE

ITEM	QTY.	SIZE	TYPE	ELEVATION	SERVICE
C1	1	80 mm	3000# 1/2 CPLG	9604 mm	PSHH-702

INTERNAL COATINGS
 CLEANING: WHITE METAL BLAST
 PRIMER: MANUFACTURER'S RECOMMENDATION
 PAINTING: DEVMAT 100 ON FLOOR, DEVOE 253 ON WALLS AND ROOF
 LINING: Type _____ Thickness _____

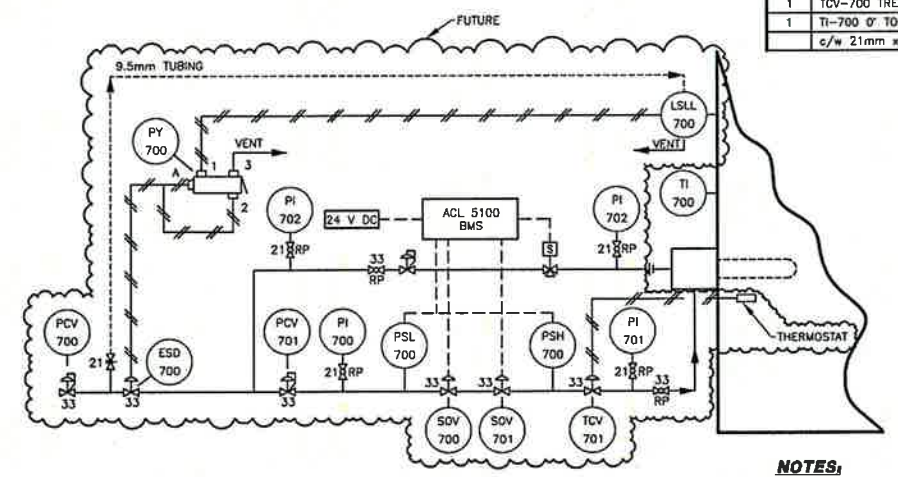
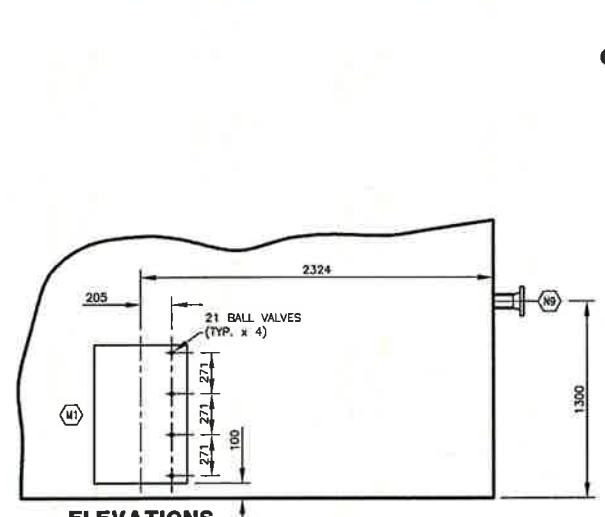
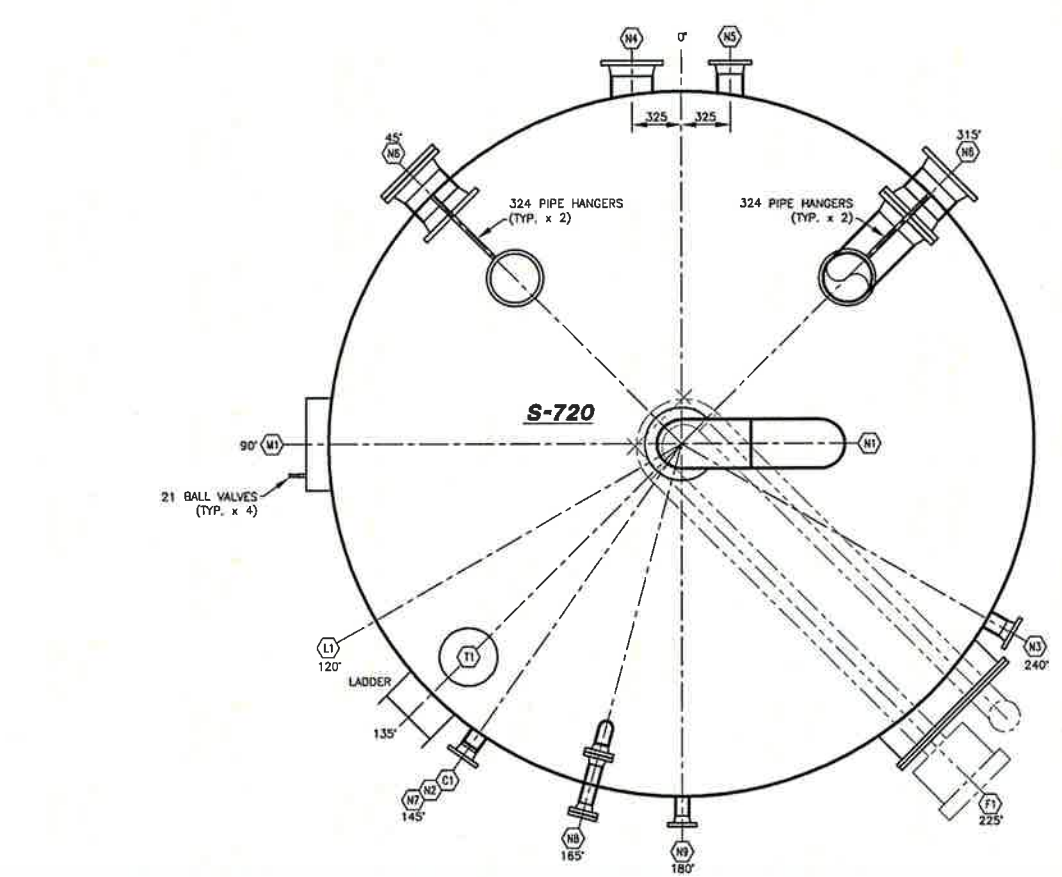
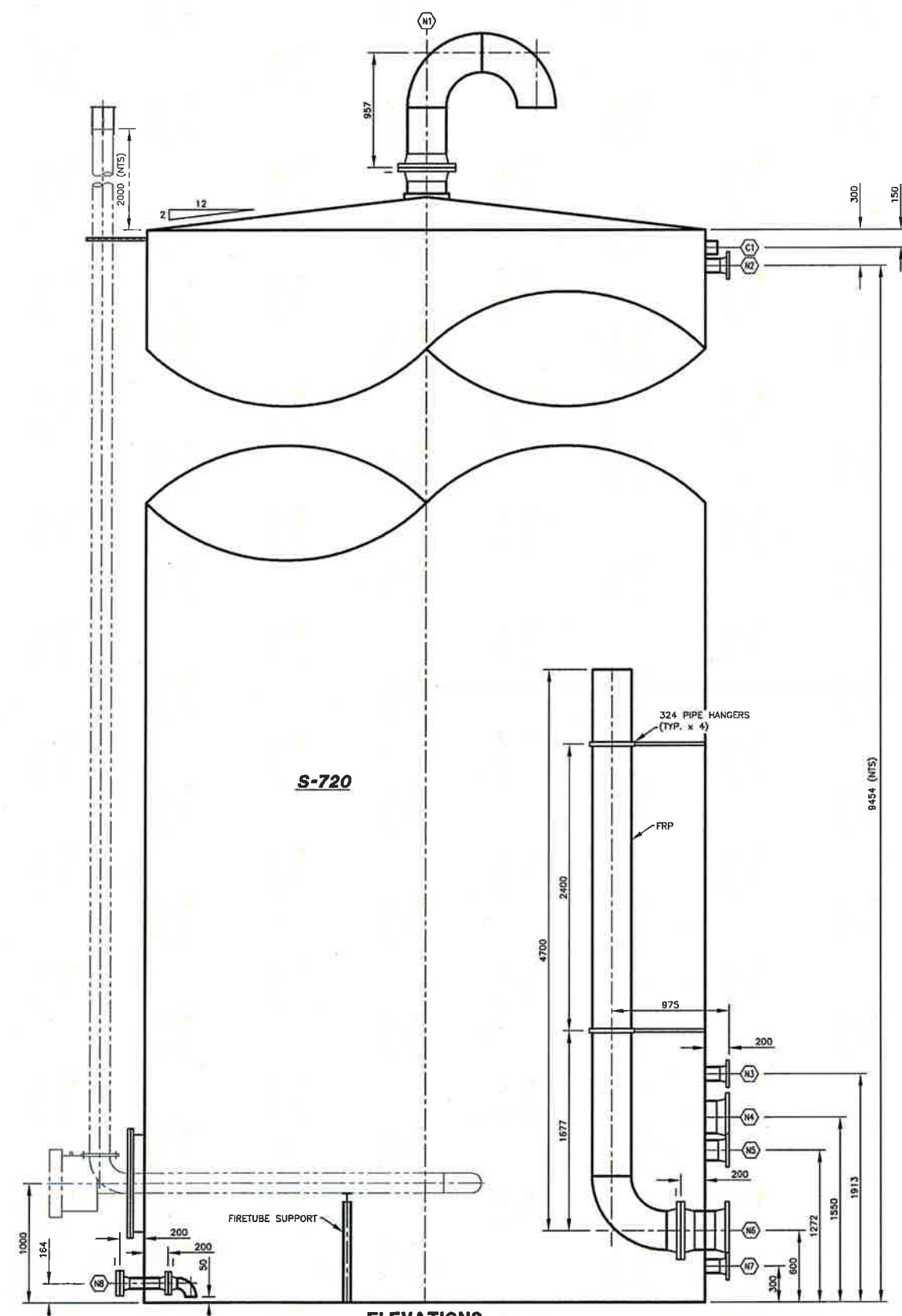
EXTERNAL COATINGS
 CLEANING: BRUSH BLAST PER SSPC-SP7 TO ROOF & SHELL
 PRIMER: 1 COAT DEVTRAN 224 PRIMER TO ROOF & SHELL
 PAINTING: 2 COATS BLACK SURFACE SEALANT
 INSULATION: Type URETHANE Thickness 50 mm
 CLADDING: _____

ACCESSORIES

ITEM/QTY	ACCESSORIES
L1	STANDARD SOUR SERVICE GAUGE BOARD c/w STAINLESS STEEL CABLES & FITTINGS AND "POLY" LINE
2	LIFTING LUGS LADDER (NO CAGE)
3	TANK ROOF SAFETY HARNESS LUG
M1	STANDARD 610 x 914 MANWAY WITH SPLIT DOOR
T1	THIEF HATCH

FIRE TUBE ASSEMBLY

1	ESDV-700 KIMRAY 1125MT Dg. (REDUCED TRIM)
1	LSLL-700 NORRISSEAL MODEL # L1200N
1	PCV-700 FISHER 912
1	PCV-701 FISHER 627 5-35# SPRING
1	PI-700 0-15mPa DUAL SCALE PRESSURE INDICATOR c/w 100 mm FACE
1	PI-701 0-15mPa DUAL SCALE PRESSURE INDICATOR c/w 100 mm FACE
1	PI-702 0-15mPa DUAL SCALE PRESSURE INDICATOR c/w 100 mm FACE
1	PY-700 AMOT MODEL #40570-025-H-1 PNEUMATIC LATCHING RELAY
1	TCV-700 TREVCO #91000 xt
1	TI-700 0° TO 100°C DUAL SCALE c/w THERMOWELL c/w 21mm x 27mm NPT x 150 mm lg. C.S. THERMOWELL



ISSUED FOR CONSTRUCTION

WARNING
 ALL DIMENSIONS MUST BE CONFIRMED PRIOR TO COMMENCING CONSTRUCTION

Handwritten signature

PROFESSIONAL ENGINEER
 REG. NO. 25084
 2010-02-27

REFERENCE DRAWINGS

TAT-02-TS-01-A	1000 bbl. WATER TANKS
TAT-02-TS-01-B	1000 bbl. WATER TANKS
TAT-02-TS-01-D	1000 bbl. WATER TANKS

LINE SIZE CONVERSIONS

TUBING	mm	in	mm	in
8.4	1/4	20.3	3/4	1.75
12.7	1/2	25.4	1	2.54
19.0	3/4	38.1	1 1/2	38.1
25.4	1	50.8	2	50.8

LINE TAG

60-A3-25H-GT	HEAT TRACE (GT-GLYCOL, ET-ELECTRICAL, OT-HOT OIL)
---	INSULATION THICKNESS (mm)
---	LINE SPECIFICATION (SEE TABLE)
---	LINE SIZE (O.D. IN MM)

SERVICE CODE

A	SWEET NATURAL GAS	F	WATER/STEAM
B	SOUR NATURAL GAS	G	GLYCOL/GLYCOL-WATER
C	SWEET HYDROCARBON LIQUID	H	COMPRESSED AIR
D	SOUR HYDROCARBON LIQUID	L	DRAINS AND VENTS
E	FUEL/INSTRUMENT GAS	M	DEAD OIL

SERVICE RATING

1	150 ANSI	25	2500 ANSI
3	300 ANSI		
6	600 ANSI		
9	900 ANSI		
15	1500 ANSI		

NOTES:

- DO NOT SCALE DRAWING.

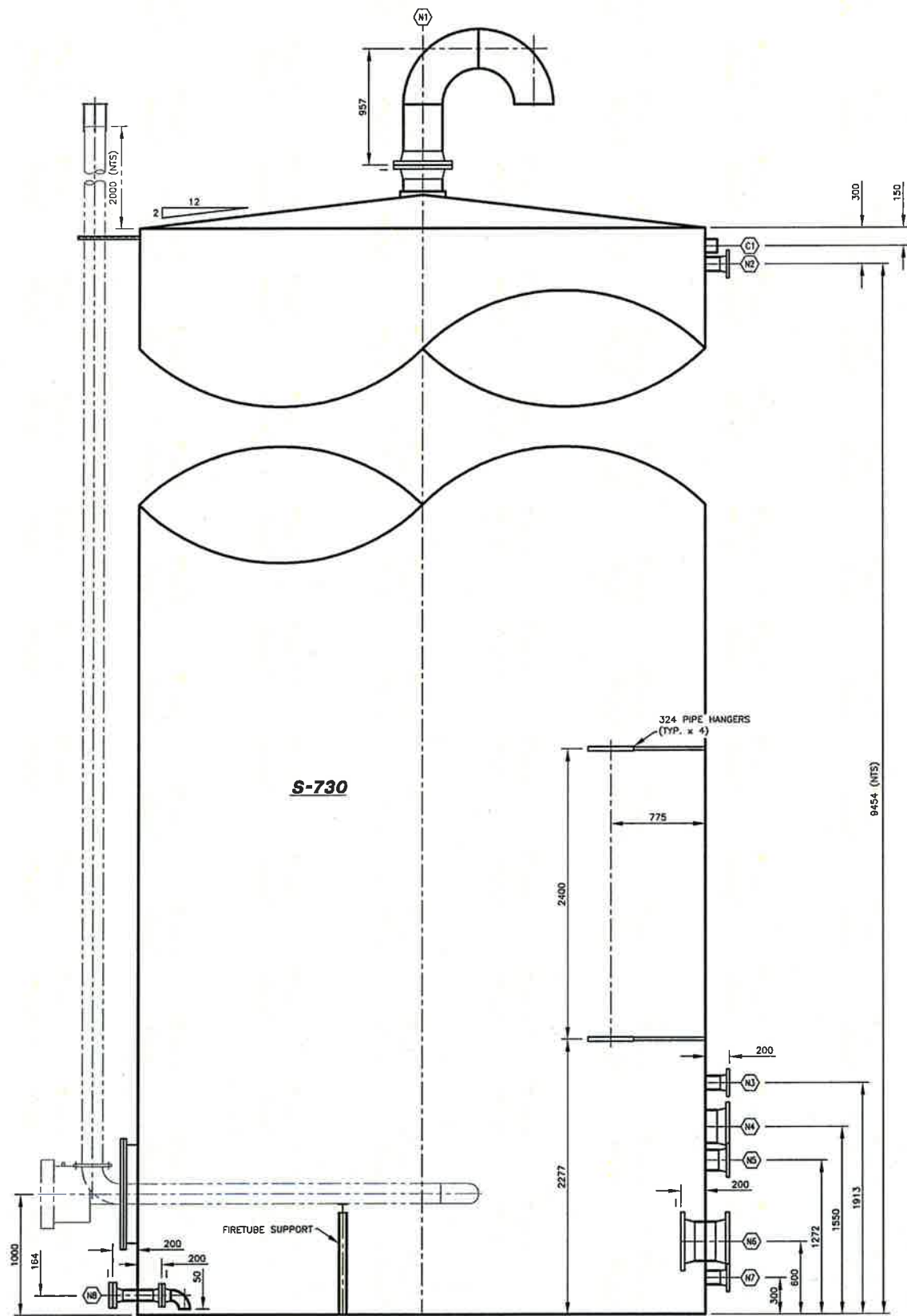
Rev	Date	Drawn	Project No	Description
C	10-02-22	DDP	EOGR-2248	ISSUED FOR CONSTRUCTION
B	10-02-22	SR	EOGR-2248	ISSUED FOR CONSTRUCTION
A	10-02-22	SR	EOGR-2248	NEW DRAWING

oog resources

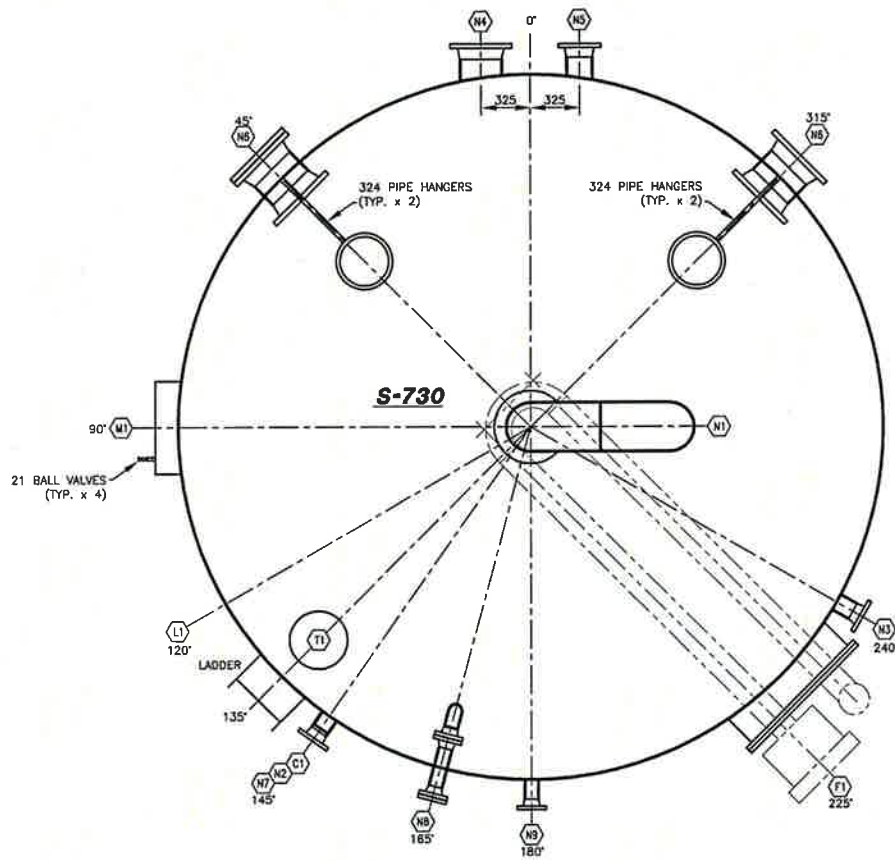
TATTOO

TANK SPECIFICATIONS
 S-720 1000 bbl. WATER TANK AT
 d-35-E / 94-0-10

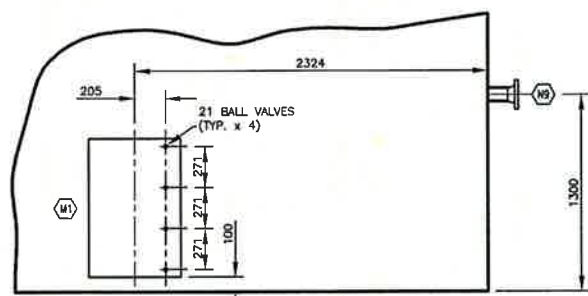
Nimbus Projects Ltd.
 Scale 1:50
 Dimensions in mm
 TAT-02-TS-01-C
 Rev C



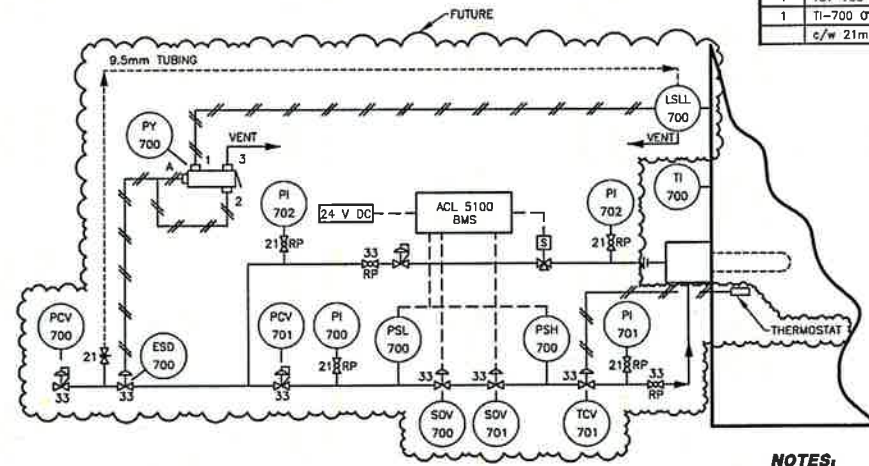
ELEVATIONS



ORIENTATION



ELEVATIONS



NOTES:

1. DO NOT SCALE DRAWING.

Rev	Date	Drawn	Checked	Project No	Description
C	10-02-22	DDP	EDGR-2248		ISSUED FOR CONSTRUCTION
B	10-02-22	DDP	EDGR-2248		ISSUED FOR CONSTRUCTION
A	10-02-22	SR	EDGR-2248		NEW DRAWING

oog resources TATTOO

TANK SPECIFICATIONS
S-730 1000 bbl. WATER TANK AT
 d-35-E / 94-0-10

Scale 1:50
 Dimensions in mm
Nimbus Projects Ltd. Rev C

REFERENCE DRAWINGS

TAT-02-TS-01-A	1000 bbl. WATER TANKS
TAT-02-TS-01-B	1000 bbl. WATER TANKS
TAT-02-TS-01-C	1000 bbl. WATER TANKS

LINE SIZE CONVERSIONS

TUBING	mm	inch	PIPE	mm	inch
19.0	3/4"	1.915	2"	51.4	2"
25.4	1"	25.4	2 1/2"	63.5	2 1/2"
31.8	1 1/4"	31.8	3"	76.2	3"
38.1	1 1/2"	38.1	3 1/2"	88.9	3 1/2"
44.5	1 3/4"	44.5	4"	101.6	4"
50.8	2"	50.8	4 1/2"	114.3	4 1/2"
57.1	2 1/4"	57.1	5"	127.0	5"
63.5	2 1/2"	63.5	6"	152.4	6"
76.2	3"	76.2	8"	203.2	8"
88.9	3 1/2"	88.9	10"	254.0	10"

LINE TAG

LINE TAG	HEAT TRACE (GT-GLYCOL, ET-ELECTRICAL, OT-HOT OIL)	INSULATION THICKNESS (mm)	LINE SPECIFICATION (SEE TABLE)	LINE SIZE (O.D. IN mm)
60-A3-25H-GT				

SERVICE CODE

SERVICE CODE	SERVICE RATING
A - SWEET NATURAL GAS	1 - 150 ANSI
B - SOUR NATURAL GAS	3 - 300 ANSI
C - SWEET HYDROCARBON LIQUID	6 - 600 ANSI
D - SOUR HYDROCARBON LIQUID	9 - 800 ANSI
E - FUEL/INSTRUMENT GAS	15 - 1500 ANSI
F - WATER/STEAM	25 - 2500 ANSI
G - GLYCOL/GLYCOL-WATER	
H - COMPRESSED AIR	
I - DRAINS AND VENTS	
J - DEAD OIL	

ISSUED FOR CONSTRUCTION

WARNING
 ALL DIMENSIONS MUST BE CONFIRMED PRIOR TO COMMENCING CONSTRUCTION

ENGINEER'S STAMP

[Signature]

W.P. CORCORAN
 PROFESSIONAL ENGINEER
 No. 22854

PERMIT STAMP

[Signature]

Nimbus Projects Ltd.