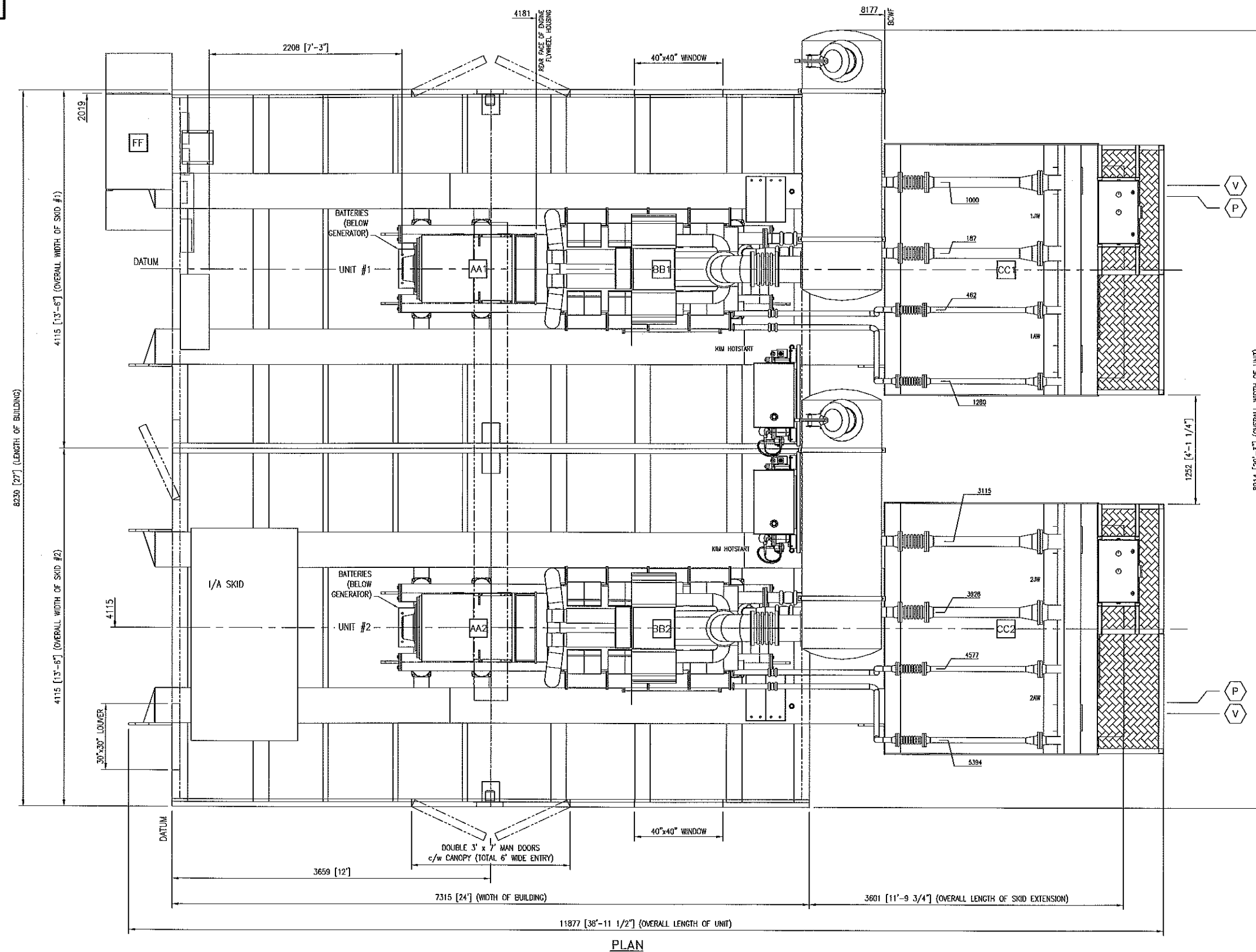




NOTE:
THE DRAWING SHOWS 2 SKIDS SIDE BY SIDE
BUT WILL BE LIFTED SEPARATELY.



NOTE - ITEMS SHIPPED LOOSE INCLUDE (BUT ARE NOT LIMITED TO):
EXHAUST SILENCERS, EXHAUST STACKS, EXHAUST STANDS, AND LOAD BANK.

CUSTOMER CONNECTIONS		
NO.	DESCRIPTION	SIZE
30	FUEL GAS SUPPLY	2"-150# RF

OTHER CUSTOMER LOCAL CONNECTIONS & VENTS		
NO.	DESCRIPTION	SIZE
O	ENGINE OIL TANK FILL	1" NPT
Q	WASTE OIL TANK VENT	1" TUBE
S	ENGINE OIL TANK VENT	1" TUBE
W	WASTE OIL TANK PUMP OUT	2" NPT

SHIPPING WEIGHTS (ALL EQUIP. DRY)		UNIT DIMENSIONS	
AA GENERATORS: STAMFORD HC1634H	2x2145 KG	MAIN SKID w/ALL EQUIP MOUNTED	
BB DRIVERS: WAUKESHA P48GL	2x6759 KG	LENGTH	11877 mm 39' - 0"
CC COOLERS: AXL 96EE	2x4309 KG	WIDTH	8914 mm 29' - 3"
DD SILENCERS: SILEX JDS-12	2x369 KG	HEIGHT	6950 mm 22' - 10"
FF LOAD BANK	120 KG	SHIPPING DIMENSIONS	
EQUIPMENT SUB-SKIDS	2x905 KG	LENGTH	11877 mm 39' - 0"
MAIN SKID	2x6629 KG	WIDTH	4115 mm 13' - 6"
BUILDING	TBA	HEIGHT	5164 mm 17' - 0"
PIPING	2x400 KG	(COOLER DIMENSIONS INCLUDED)	
HEATERS	2x29 KG		
ASST. ELECTRICAL	2x200 KG		
MISC. & LIQUIDS	2x1600 KG		
TOTAL APPROX. UNIT WEIGHT	2x23300 KG		
SHIPPING WEIGHTS	2x22932 KG		

ISSUED
JUL 08 2010
FOR CONSTRUCTION

- GENERAL NOTES**
- ALL ORDINATE DIMENSIONS FROM REFERENCE POINT.
 - THIS DRAWING IS NOT TO BE USED FOR CONSTRUCTION UNLESS STAMPED "RELEASED FOR MANUFACTURE".
 - DO NOT SCALE THIS DRAWING.
 - ALL DIMENSIONS ARE IN MILLIMETERS.
 - FOR DESIGN PARAMETERS AND PAINT SPECIFICATION REFER TO PROJECT SCOPE SUMMARY DRAWING NO. SS-100094.
 - ALL PIPING MUST BE SELF SUPPORTING BEYOND UNIT CONNECTIONS.
 - LOCATIONS OF CUSTOMER CONNECTIONS ARE NOT GUARANTEED AS THESE DIMENSIONS MAY BE SUBJECT TO AN ACCUMULATION OF TOLERANCES ON SEVERAL COMPONENTS. MINOR CHANGES MAY ALSO BE MADE ON SCREWED SERVICE PIPING IN ORDER TO FACILITATE INSTALLATION AND MAINTENANCE. UPON COMPLETION A FINAL DRAWING WILL BE ISSUED WITH FIELD CONNECTIONS CORRECTED TO 5 mm.
 - IT IS ENERFLEX'S RECOMMENDATION THAT ANY PRE-SPOOLING TO THIS GENERATOR PACKAGE CONTAIN FIELD WELDS AT ALL CUSTOMER CONNECTIONS.
 - DIMENSIONS INDICATED (*) SHALL BE CONFIRMED AND CERTIFIED CORRECT (**) ON A FINAL REVISION.

REV	DESCRIPTION	DATE	DRAWN BY	CHECKED BY
0	ISSUED FOR CONSTRUCTION	10/07/07	HBL	
C	REVISED SKID PER PRELIMINARY STUDY	10/05/31	HBL	
B	FOR SKID STUDY	10/05/27	HBL	
A	FOR APPROVAL	10/05/20	HBL	

ENERFLEX
4700 47 Street SE Calgary AB Canada T2B 3K1 Canada Tel: +1403.276.6600 Fax: +1403.276.0367
www.enerflex.com

TITLE: GENERAL ARRANGEMENT
STAMFORD HC1634H, WAUKESHA P48GL, AXL-96EE (DOUBLE)
DUAL 700 kW NATURAL GAS GENERATOR PACKAGE

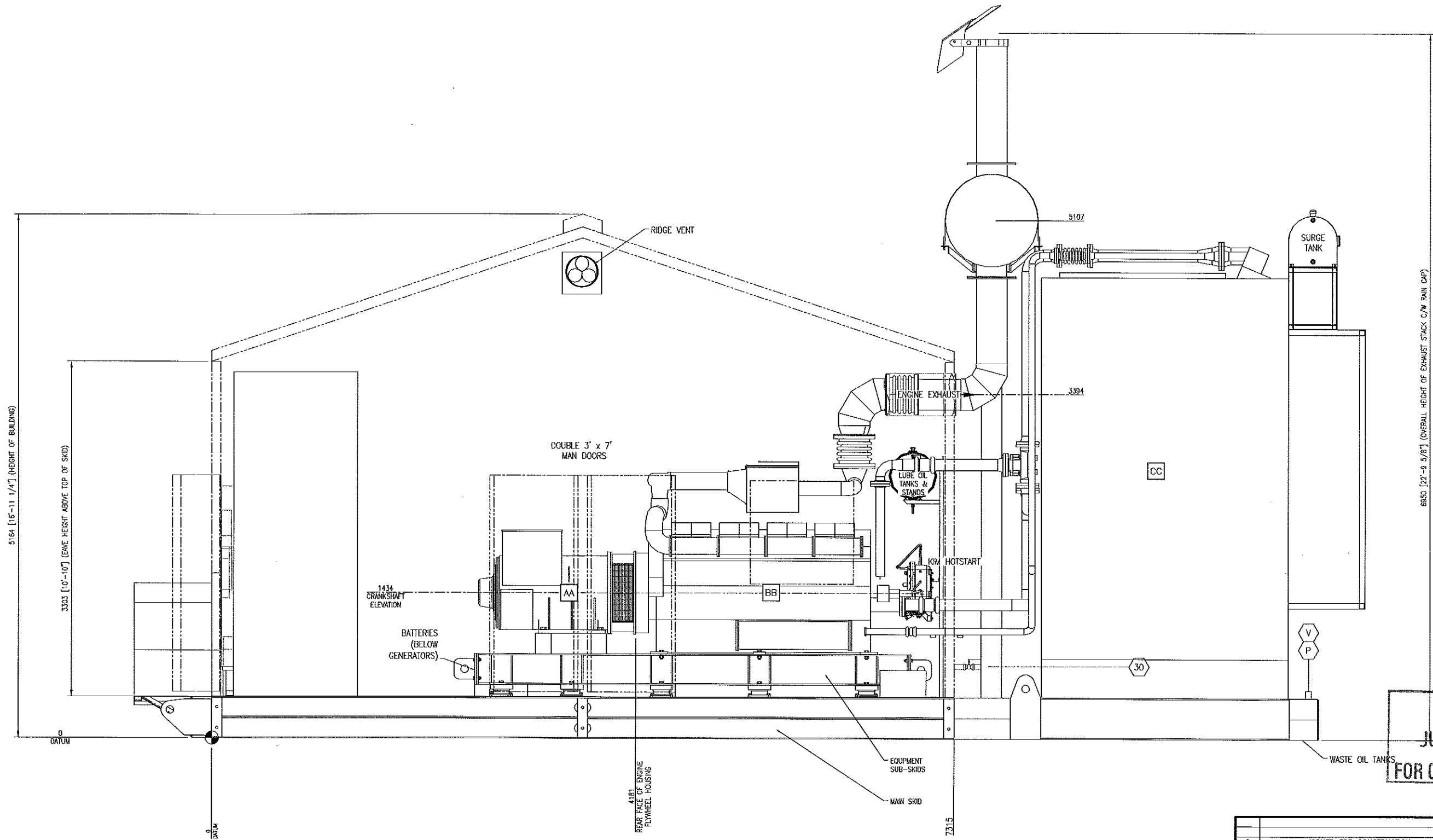
FOR: EOG RESOURCES CANADA INC. (TATTOO)

CONSULTANT: AUSCAN DESIGN LTD. LSD: d-35-E 94-0-10
P.O.: 10-089 JOB No.: 100094

DRWN BY: HBL	DESIGN BY: HBL	DATE: 10/05/20	DWG. No. GA-100094	SHEET 1 (OF 3)
DATE: 10/05/20	CHKD BY: [Signature]	DATE: 10/05/20		
SCALE: NTS	APPVD BY: [Signature]	DATE: 10/05/20		

N:\EFXC\Limited_Ops\Projects\2010\100094\Ortho\GA-100094.dwg Jul 08, 2010 - 7:53am

N:\EPFC\Limited_Ops\Projects\2010\100094\Ortho\GA-100094.dwg Jul 06, 2010 - 7:55am



ISSUED
JUL 08 2010
FOR CONSTRUCTION

ELEVATION

REV	DESCRIPTION	DATE	DRAWN BY	CHECKED BY
0	ISSUED FOR CONSTRUCTION	10/07/07	HBL	
C	REVISED SKID PER PRELIMINARY STUDY	10/05/31	HBL	
B	FOR SKID STUDY	10/05/27	HBL	
A	FOR APPROVAL	10/05/20	HBL	

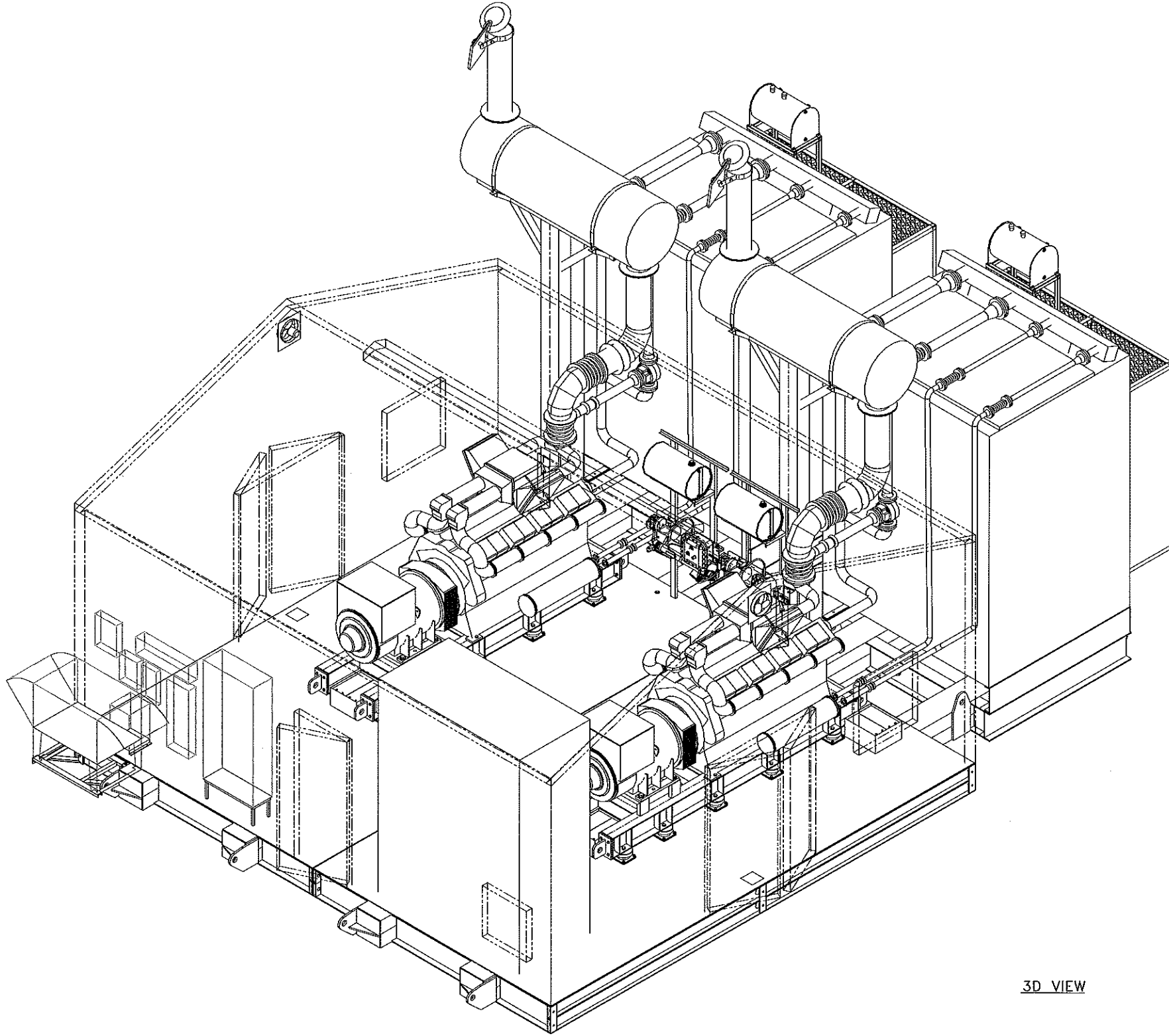
ENERFLEX
 4760 47 Street SE, Calgary AB Canada T2B 3B1, Canada Tel: +1-403-236-6500 Fax: +1-403-279-0307
 www.enerflex.com

TITLE: ELEVATION VIEW 'A-A'
 STAMFORD HC1634H, WAUKESHA P48GL, AXL-96EE (DOUBLE)
 DUAL 700 kW NATURAL GAS GENERATOR PACKAGE

FOR: EOG RESOURCES CANADA INC. (TATTOO)

CONSULTANT: AUSCAN DESIGN LTD. LSD: d-35-E 94-0-10
 P.O.: 10-089 JOB No.: 100094

DRWN BY: HBL	DESIGN BY: HBL	DATE: 10/05/20	DWG. No. GA-100094	SHEET 2
DATE: 10/05/20	CHKD BY: HBL	DATE: 10/07/08		(OF 3)
SCALE: NTS	APPRD BY: HBL	DATE: 10/07/08		



3D VIEW

ISSUED
JUL 08 2010
FOR CONSTRUCTION

0	ISSUED FOR CONSTRUCTION	10/07/07	HBL	
C	REVISED SKID PER PRELIMINARY STUDY	10/05/31	HBL	
B	FOR SKID STUDY	10/05/27	HBL	
A	FOR APPROVAL	10/05/20	HBL	
REV	DESCRIPTION	DATE	DRAWN BY	CHECKED BY

ENERFLEX
4700 47 Street SE Calgary AB Canada T2B 3E1 Canada Tel. +1.403.236.6600 Fax +1.403.278.0357
 www.enerflex.com

TITLE: 3D VIEWS
 STAMFORD HC1634H, WAUKESHA P48GL, AXL-96EE (DOUBLE)
 DUAL 700 KW NATURAL GAS GENERATOR PACKAGE

FOR: EOG RESOURCES CANADA INC.
 (TATTOO)

CONSULTANT: AUSCAN DESIGN LTD. LSD: d-35-E 94-0-10
 P.O.: 10-089 JOB No.: 100094

DRWN BY: HBL	DESIGN BY: HBL	DATE: 10/05/20	DWG. No.	SHEET 3 (OF 3)
DATE: 10/05/20	CHKD BY: [Signature]	DATE: 10/05/20	GA-100094	
SCALE: NTS	APPVD BY: [Signature]	DATE: 10/05/20		

N:\EPC\Limited_Ops\Projects\2010\100094\ortho\Ga-100094.dwg Jul 08, 2010 - 7:59am