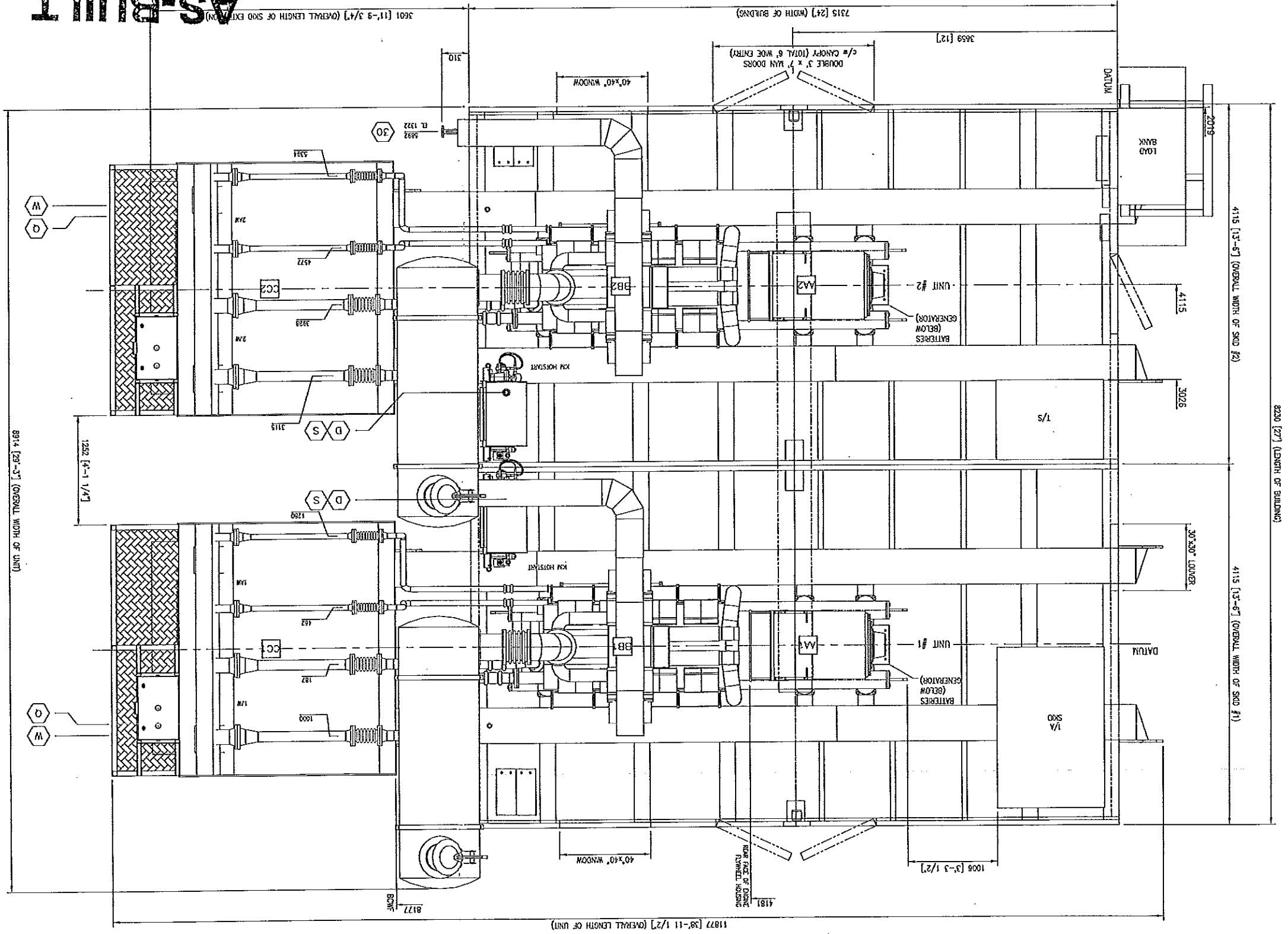


NOTE:
THE DRAWING SHOWS 2 SKIDS SIDE BY SIDE
BUT WILL BE LIFTED SEPARATELY.

Final Gen Sets



AS-BUILT
OCT 06 2010

PLAN

NOTE - ITEMS SHIPPED LOOSE INCLUDE (BUT ARE NOT LIMITED TO):
EXHAUST SILENCERS, EXHAUST STACKS, EXHAUST STANDS, AND LOAD BANK.

ENERFLEX SYSTEMS LTD REPRODUCTION OF ANY FORM OF THESE DRAWINGS WITHOUT THE EXPRESS WRITTEN CONSENT OF ENERFLEX SYSTEMS LTD IS STRICTLY PROHIBITED. THESE DRAWINGS SHALL NOT BE USED FOR ANY PURPOSE OTHER THAN THE REPAIR AND MAINTENANCE OF THE PRODUCTS TO WHICH THEY RELATE.

SCALE: 1/8" = 1'-0"	DATE: 10/05/20	DESIGN BY: HBL	APPROVED BY: HBL
DRAWN BY: HBL	DATE: 10/07/07	DATE: 10/07/07	DATE: 10/07/07
SHEET 1 OF 3	DWG. No. GA-100097	Proj No. 100097	Proj No. 100097

REV	DESCRIPTION	DATE	BY	CHECKED
0	ISSUED FOR CONSTRUCTION	10/07/07	HBL	PAG
1	EC-UPDATED BUILDING AND PANEL MODEL	10/07/21	HBL	PAG
2	AS-BUILT	10/10/05	HBL	PAG

GENERAL NOTES

- ALL ORIGINATE DIMENSIONS FROM REFERENCE POINT.
- THIS DRAWING IS NOT TO BE USED FOR CONSTRUCTION UNLESS STAMPED "RELEASED FOR MANUFACTURE".
- DO NOT SCALE THIS DRAWING.
- ALL DIMENSIONS ARE IN MILLIMETERS.
- FOR DESIGN PARAMETERS AND PAINT SPECIFICATION REFER TO PROJECT SCOPE SUMMARY DRAWING NO. SS-100097.
- ALL PIPING MUST BE SELF-SUPPORTING BEYOND UNIT CONNECTIONS AS THESE DIMENSIONS MAY BE SUBJECT TO AN ACCUMULATION OF TOLERANCES ON SEVERAL COMPONENTS. MINOR CHANGES MAY ALSO BE MADE ON SCREWED SERVICE PIPING IN ORDER TO FACILITATE INSTALLATION AND MAINTENANCE. UPON COMPLETION A FINAL DRAWING WILL BE ISSUED WITH FIELD CONNECTIONS CORRECTED TO 5 mm.
- IT IS ENERFLEX'S RECOMMENDATION THAT ANY PRE-SPOOLING TO THIS GENERATOR PACKAGE CONTAIN FIELD WELDS AT ALL CUSTOMER CONNECTIONS. 9. DIMENSIONS INDICATED (*) SHALL BE CONFIRMED AND CERTIFIED CORRECT (**). ON A FINAL REVISION.

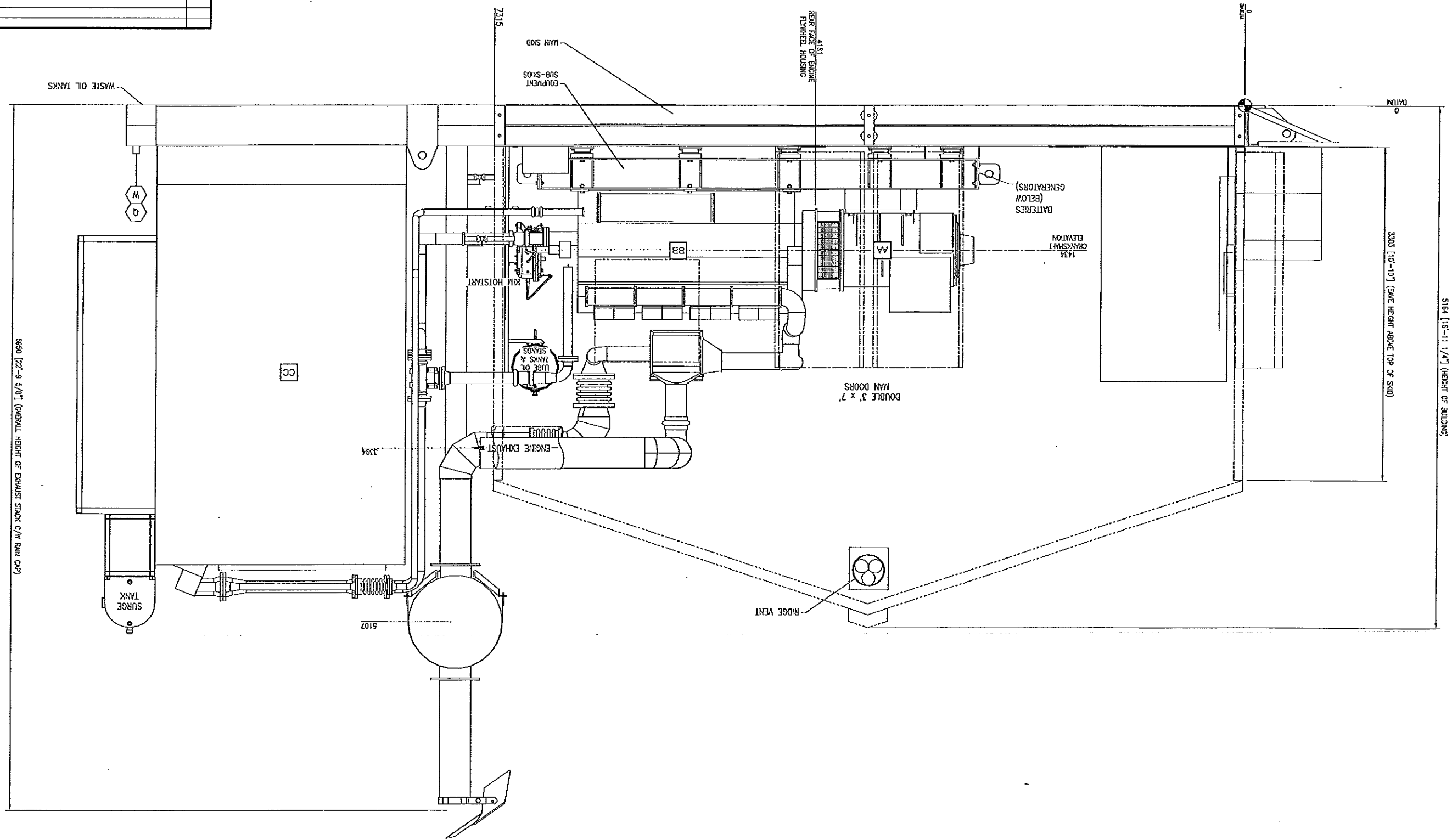
NO.	DESCRIPTION	SIZE
30	FUEL GAS SUPPLY	2"-150# RF
CUSTOMER CONNECTIONS		
OTHER CUSTOMER LOCAL CONNECTIONS & VENTS		
D	ENGINE OIL TANK FILL	1" NPT
W	WASTE OIL TANK PUMP OUT	2" NPT
SHIPPING WEIGHTS (ALL EQUIP. DRY)		
YA	GENERATORS: STAMFORD HC1634H 2x2145 KG	MAIN SKID w/ ALL EQUIP MOUNTED
BB	DRIVERS: WAUKESHA P48GL 2x6759 KG	LENGTH
CC	COOLERS: AXL 96EE 8914 mm	WIDTH
DD	SILENCERS: SILEX JDD5-12 2x369 KG	HEIGHT
EE	EQUIPMENT SUB-SKIDS	120 KG
FF	LOAD BANK	2x905 KG
GG	MAIN SKID	2x6629 KG
HH	BUILDING	18A
II	PIPING	2x400 KG
JJ	HEATERS	2x29 KG
KK	ASST. ELECTRICAL	2x200 KG
LL	MISC. & LIQUIDS	2x1600 KG
MM	TOTAL APPROX. UNIT WEIGHT	2x23300 KG
NN	SHIPPING WEIGHTS	2x22932 KG

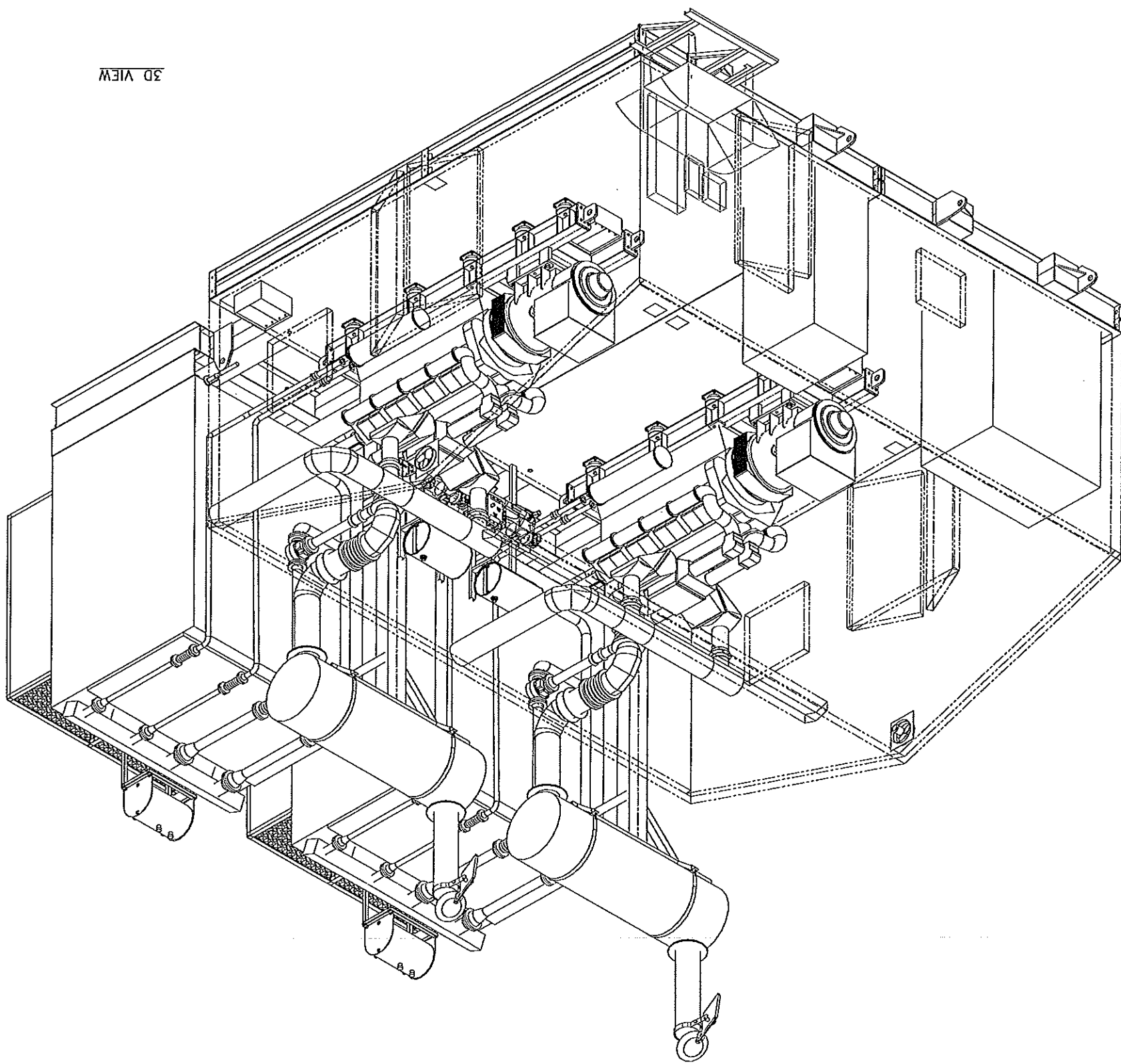
SCALE: NTS	DATE: 10/05/20	DRWN BY: HBL		
DATE: 10/07/07	CHKD BY: HBL	DESIGN BY: HBL		
DATE: 10/07/07	DATE: 10/07/07	DATE: 10/07/07		
DWT: 10/07/07				
GA-100097				
DWG. No.				
SHEET 2 (of 3)				
FOR: EGG RESOURCES CANADA INC.				
CONSULTANT: AUSCAN DESIGN LTD. (TATTOO)				
P.O.: 10-090				
JOB No.: 100097				
LSD: 6-18-8 94-0-09				
TITLE: ELEVATION VIEW 'A-A'				
STAMFORD HC634H, WAUKESHA P48GL, AXL-96EE (DOUBLE)				
DUAL 700 KW NATURAL GAS GENERATOR PACKAGE				
ENERFLEX				
1700 W. Street St. Calgary AB Canada T2B 3H1; Canada Tel: 403.243.8000 Fax: 403.278.0000				
REV	DESCRIPTION	DATE	DRAWN BY	CHECKED BY
2	AS-BUILT	10/10/05	HBL	HBL
1	EC-UPDATED BUILDING AND PANEL MODEL	10/07/21	HBL	PAG
0	ISSUED FOR CONSTRUCTION	10/07/07	HBL	PAG

AS-BUILT

OCT 0 6 2010

ELEVATION





3D VIEW

ENERFLEX

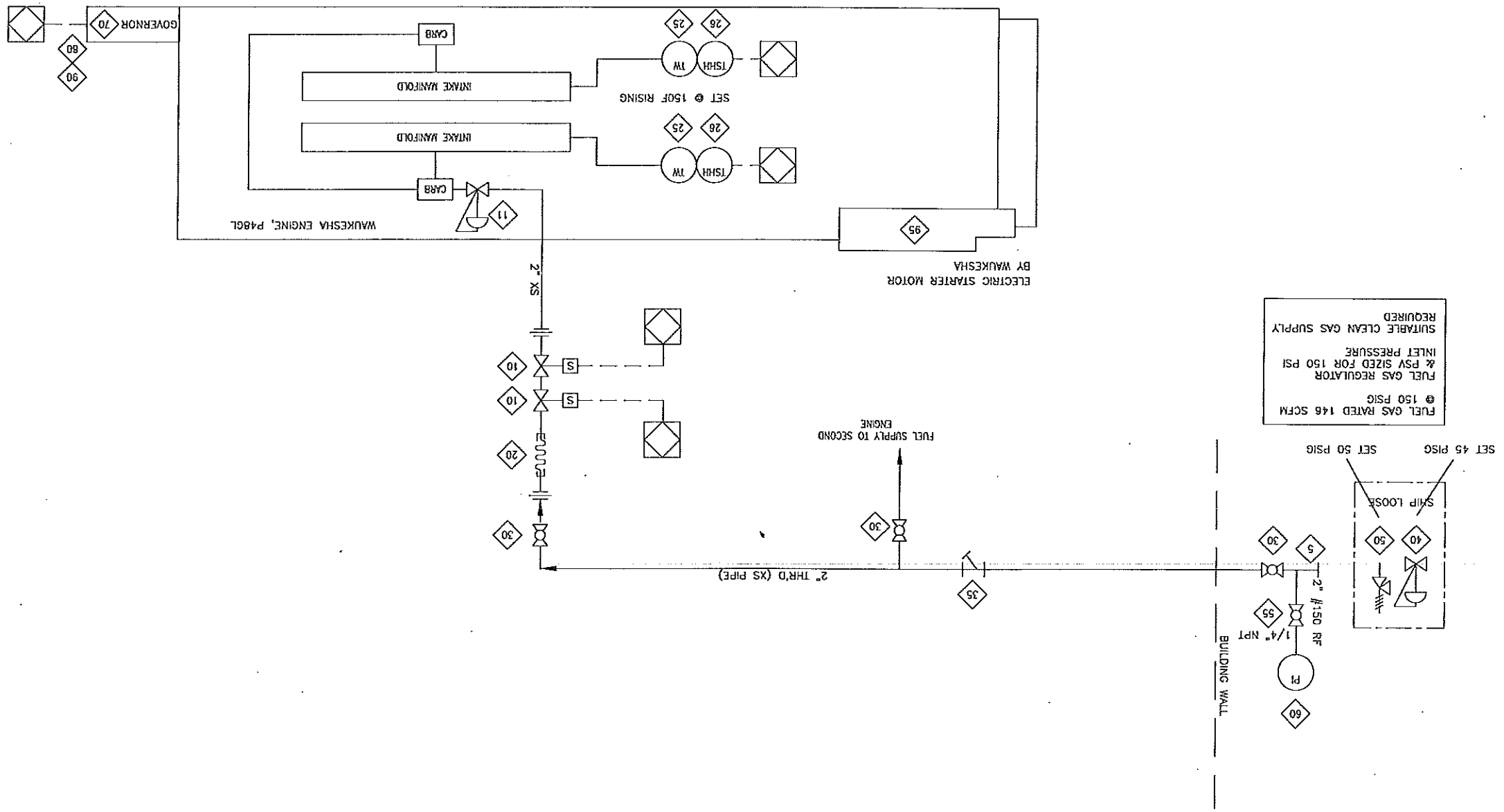
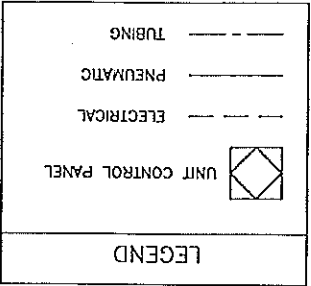
1001 17 Street SE Calgary AB Canada T2B 1M1 Canada Tel: 403.243.8200 Fax: 403.243.8201

REV	DESCRIPTION	DATE	DRAWN BY	CHECKED BY
0	ISSUED FOR CONSTRUCTION	10/07/07	HBL	PAG
1	EC-UPDATED BUILDING AND PANEL MODEL	10/07/21	HBL	PAG
2	AS-BUILT	10/10/05	HBL	HBL

TITLE:
3D VIEWS
STAMFORD HC1634H, WAUKESHA P48GL, AXL-96EE (DOUBLE)
DUAL 700 KW NATURAL GAS GENERATOR PACKAGE
FOR:
EFG RESOURCES CANADA INC.
(TATTOO)
CONSULTANT: AUSCAN DESIGN LTD.
P.O.: 10-09D
JOB No.: 100097
DWG. No.: GA-100097
DATE: 10/05/20
DESIGN BY: HBL
CHECK BY: PAG
SCALE: NTS
SHEET 3 (of 3)

AS-BUILT
OCT 06 2010





DRWN BY: EAM DATE: 10/05/21	CHKD BY: NIS DATE: 10/05/21	DESIGN BY: EAM DATE: 10/05/21	APPRD BY: [Signature] DATE: 10/11/21	SF-100097-22	OP# 22
CONSULTANT: AUSCAN DESIGN LTD. P.O.: 10-090 LSD: c-18-B/94-0-09 JOB No.: 100097					
FOR: EOG RESOURCES CANADA INC. POWER GENERATION PACKAGE WAKESHA P48GL FUEL & START GAS					
TITLE: ENERFLEX 4700 47 Street SE, Calgary AB Canada T2B 3K1 Canada Tel: +1.403.279.0000 Fax: +1.403.279.0087					
REV	DESCRIPTION	DATE	DRAWN BY	CHECKED BY	
1	AS BUILT	10/09/23	EAM	EAM	
0	ISSUE FOR CONSTRUCTION	10/07/07	EAM	EAM	
A	FOR APPROVAL	10/05/26	EAM	EAM	

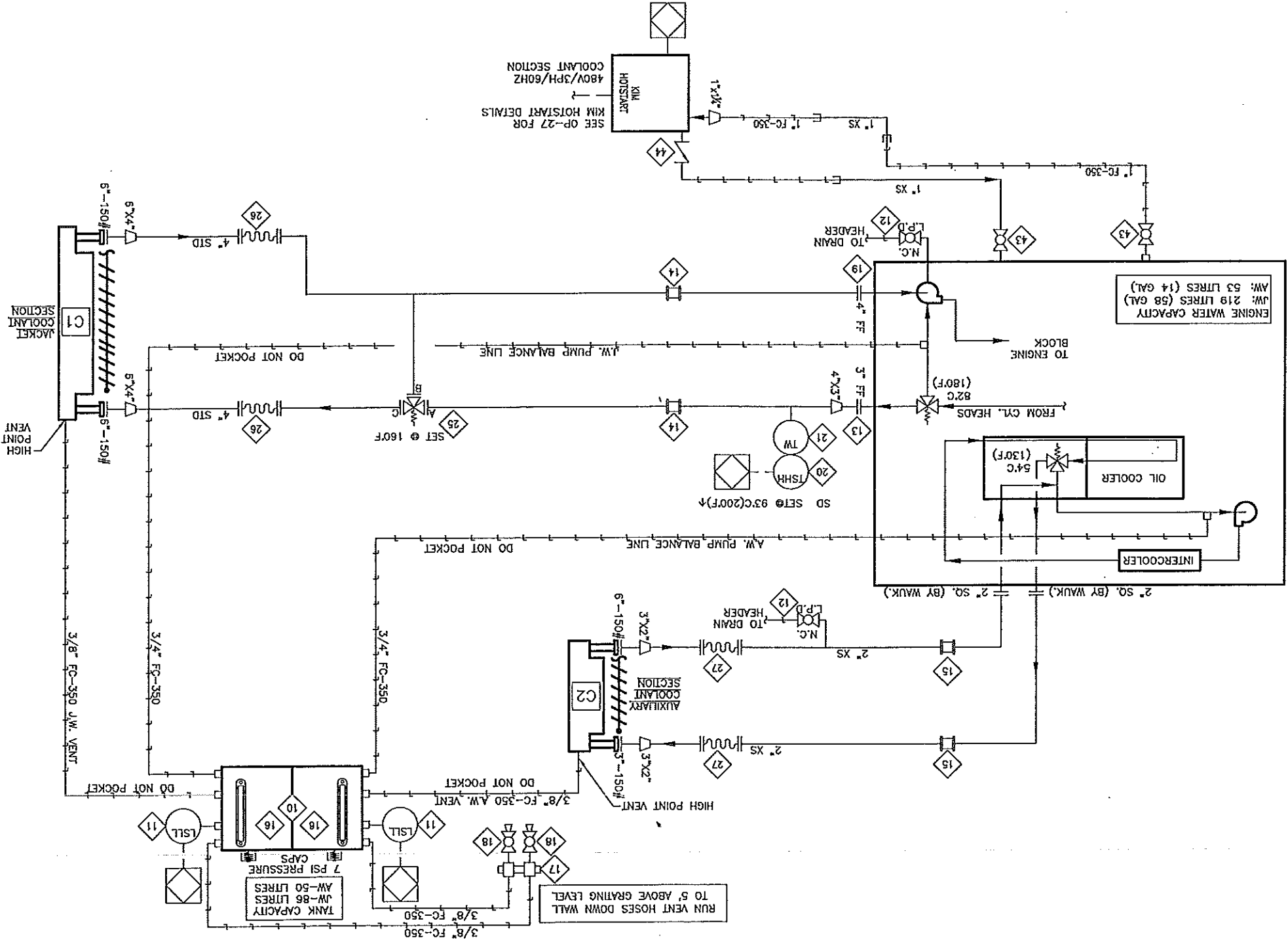
NOTE:

1. ALL SERVICE LINES OPERATING ABOVE 15 PSI MUST BE PRESSURE TESTED PER THE PROCEDURE IN THE QC MANUAL.
2. CLEAN DRY GAS REQUIRED FOR FUEL GAS.
3. FUEL GAS PIPING TO BE THREADED WITH 2000# FITTINGS.
4. PIPING TO BE TESTED AT 1.1 X DESIGN PRESSURE.
5. QUANTITIES SHOWN ARE FOR TWO (2) ENGINES. THIS UNIT (100097) CONSISTS OF TWO (2) ENGINES.

AS-BUILT
NOV 04 2010

ITEM QTY	PART #	DESCRIPTION
5	106487	(S) FLANGE, RF THD, 2" 150# SA105N
10	126966	VALVE, SOLENOID, 2-WAY, 2" NPT, 24VDC, 316SS BODY, [BURKERT, C005361]
11	NPN-R8Q	>> GAS REGULATOR, BY WAKESHA, FISHER Y692, GAS INLET PRESSURE 25-50 PSIG
20	127997	HOSE, BRAIDED STEEL, SINGLE, 2" MNPT ENDS X 1 1/4" LG, CGA & CSA APPROVED, CRN
25	127621	TWELL, 316SS, 1/2" MNPT, U=4.5", .385" BORE X 6" L [CCS, 6509W12090016]
26	105113	**SWITCH, TEMP 300F 60-205R 60-198F 6P SS 5" CAP, [CCS, 6900U14]
30	102951	(S) VALVE, BALL 2" NPT 2000# WOG RP 316SS NICE C/M LOCKING [AMCO, C1-R20520A]
35	102831	SIRAHNER, Y, 2" NPT, 1460 PSIG WAMP, CS, 1/2" SS SCREEN [ATA, VS-600]
40	NPN-R8Q	**REGULATOR, 2" NPT C/S/D 1/2" OR SST 27-50# SPR RING [FISHER, 630-325]
50	NPN-R8Q	**VALVE, PSY 1-1/2" NPT X 2" NPT .307" F" OR NICE I [FRANIS, 26FA10-120]
55	102950	(S) VALVE, BALL, 1/4" NPT, 2000# WOG, RP, 316SS, NICE C/M [AMCO, C1-R20520A]
60	102878	(S) GAUGE, PRESSURE, BN, 2-1/2" LF, 0-100 PSI BALL, 1/4" NPT [MKA, 233.53]
70	NPN-R8Q	>> ENGINE ELECTRONIC GOVERNOR CONTROL, WOODWARD 23010, BY WAKESHA
80	NPN-R8Q	>> ENGINE ELECTROHYDRAULIC GOVERNOR ACTUATOR, WOODWARD E63P, BY WAKESHA
90	123407	CONNECTOR, E63-PC
95	NPN-R8Q	>> ELECTRIC MOTOR STARTER, 24 VDC, BY WAKESHA

BILL OF MATERIAL



TITLE: SERVICE FLOW
FOR: EOG RESOURCES CANADA INC.
 WAUKESHA P48GL 1065 HP
 ENGINE GLYCOL SYSTEM
CONSULTANT: AUSCAN DESIGN LTD.
 P.O.: 10-090
 L.S.D.: c-18-B/94-0-09
 JOB No.: 100097
SCALE: NTS
DATE: 10/05/21
DRWN BY: EAM
CHKD BY: EAM
DATE: 10/05/21
APPD BY: EAM
DATE: 10/05/21
OP# 24

ENERFLEX
 1700 47 Street SE Calgary AB Canada T2B 3B1 Canada TEL: 416.323.6600 FAX: 416.323.7936
 www.enerflex.com

REV	DESCRIPTION	DATE	DRAWN BY	CHECKED BY
1	AS BUILT	10/09/23	EAM	EAM
0	ISSUE FOR CONSTRUCTION	10/07/07	EAM	EAM
A	ISSUE FOR APPROVAL	10/05/26	EAM	EAM

NOTES:
 1. CONFIRM OPERATING TEMPERATURES.
 2. GLYCOL 50% AND WATER 50% SOLUTION REQUIRED.
 3. RUN BALANCE AND VENT LINES WITH NO AIR TRAPS.
 4. ALL QUANTITIES SHOWN ARE FOR ONE (1) ENGINE ONLY.
 EACH UNIT CONSISTS OF TWO (2) ENGINES.

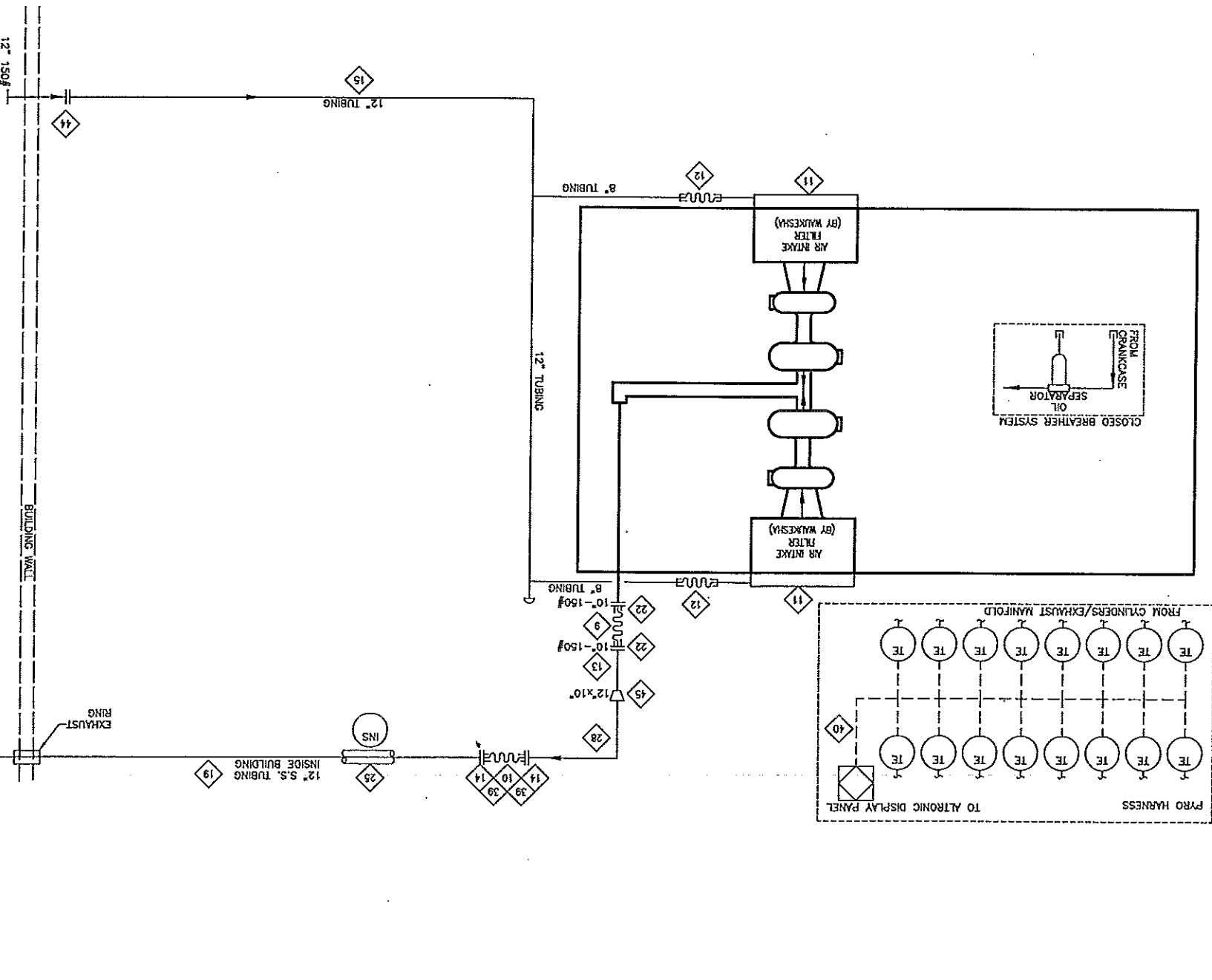
AS-BUILT
 NOV 0 4 2010

BILL OF MATERIAL

ITEM QTY	PART #	DESCRIPTION
10	110416	TANK SURGE, 2-COMPARTMENT, 26/50L, WAUKESHA F521/3524FL
11	122432	SWITCH, LEVEL, 1-1/2" NPT, XP, CSA, C/W 316SS FLOAT [MURPHY, L11005F]
12	102973	VALVE, BALL, 3/4" NPT, 2000# WOG, RP, 316SS, NACE C/W [WACO, CI-807520A]
13	106315	(5) FLANGE, RF SUP-ON, 3" 150# SA105N
14	103980	COPLING, 4" [FLEXMASTER, NH1600C4008050]
15	130095	COPLING, 2" [FLEXMASTER, NH1600X2000400]
16	126697	(5) WINDOW, LEVEL SIGHT GLASS WINDOW 10" CENTER [LUBE DEVICES, 6605-10-A-1]
17	123319	SUPPORT SURGE TANK VENT VALVE, A1478
18	120928	VALVE, BALL, 3/8" NPT, 2000# WOG, RP, 316SS, NACE, 2-PIECE [WACO, CI-80320A]
19	106316	FLANGE, RF SUP-ON, 4" 150# SA105N
20	105115	**SWITCH, TEMP 400F 185-308F GP SS 5" CAP, [CCS, 6900N16]
21	127621	TWELVE, 316SS, 1/2" NPT, U=4.5", 395" BORE X 6" LO [CCS, 6609M1209016]
25	113297	VALVE, THERMOSTATIC, 3-WAY, 4" 150# RF Ø 160 DEG, CAST IRON [FPC, A4010-160]
26	104697	HOSE, BRANDED STEEL, 4" 150# RF X 4" 150# RF X 12' LG
27	104692	HOSE, BRANDED STEEL, 2" 150# RF X 2" 150# RF X 12' LG
43	114146	VALVE, BALL, 1" NPT, 2000# WOG, FP, SS, 2-PIECE C/W LOCKING HANDLE [MAS, 02]
44	109845	VALVE, CHECK, PISTON, 1" NPT, 600# WOG, CS [WACO, CP-810508A]

BILL OF MATERIALS ENGINE GLYCOL

- NOTES:
1. MAXIMUM PERMISSIBLE BACK PRESSURE (1065 BHP @ 1800 RPM) IS 15.00 INCHES H₂O.
 2. EXHAUST HEIGHT REQUIRES CRANE & BUILDING HEIGHT VERIFICATION.
 3. ALL QUANTITIES SHOWN ARE FOR ONE (1) ENGINE ONLY, EACH UNIT CONSISTS OF TWO (2) ENGINES.



EXHAUST STACK
HEIGHT IS 12x
PEAK HEIGHT

FOR: EOG RESOURCES CANADA INC.
WAWKESHA P48 OSI 1065 HP
AIR & EXHAUST
SERVICE FLOW

CONTRACT: AUSCAN DESIGN LTD.
LSD: c-18-B/94-0-09
JOB No.: 100097

DATE: 10/05/25
DESIGN BY: EAM
CHKD BY: NIS
SCALE: NTS

DATE: 10/05/25
APPD BY: [Signature]
DATE: 10/05/25

SHEET 26
DWG. No. SF-100097-26

ENERFLEX

4900 47 Street SE Calgary AB Canada T2B 3H1 Canada Tel: 416.232.6500 Fax: 416.232.9087
www.enerflex.com

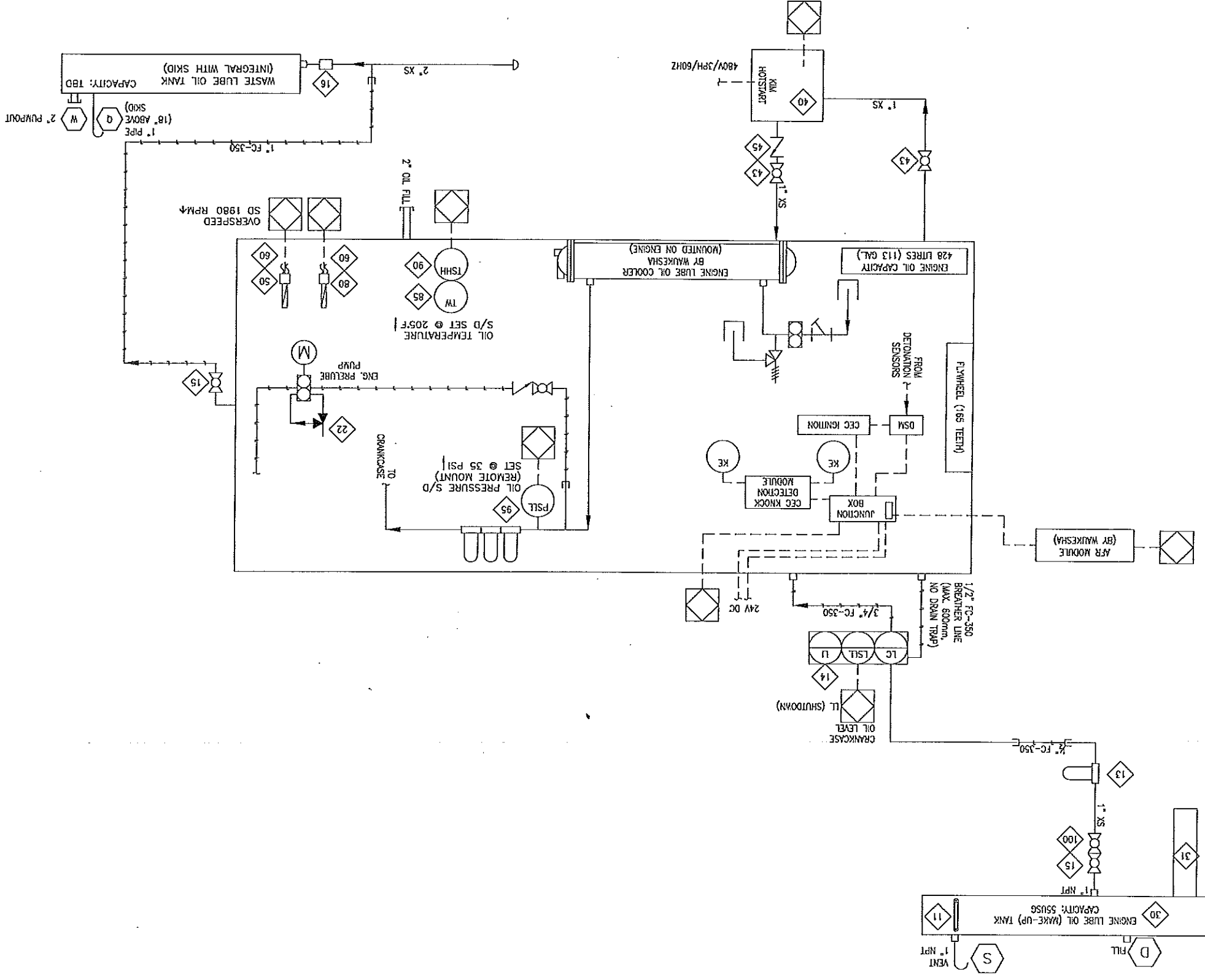
REV	DESCRIPTION	DATE	DRAWN BY	CHECKED BY
1	AS BUILT	10/09/23	EAM	EAM
0	ISSUE FOR CONSTRUCTION	10/07/07	EAM	EAM
A	ISSUE FOR APPROVAL	10/05/28	EAM	EAM

AS-BUILT
NOV 04 2010

ITEM	QTY	EFX CODE	DESCRIPTION
9	1	110425B*	EXPANSION BELLOWS, 10" ANSI EXTERNAL FLANGES C/M SS LINER X 12" LONG
10	1	104682	EXPANSION BELLOWS, 12" 150# INTERNAL FLANGES C/M 2" COLLAR & SS LINER X 12" LG
11	2	109588A	AIR FILTER ADAPTER, BOX, FOR ENGINES L36 & P48, C800/1060
12	2	103610	NUMPHOUSE, STRAIGHT, RUBBER, 8" [DOWNSON, P11-2608]
13	1	104658	FLANGE, EXHAUST, EXTERNAL, 10" 150# ANSI, 3/8" THK, SA36 - PER DRWG UC-100097-A
14	2	104659	FLANGE, EXHAUST, INTERNAL, 12" THK, SA36 - PER UC-A
15	30	104562	EXHAUST TUBING, MECHANICAL, 12" OD X 10 GAUGE (134" WALL), ERW
17	1	NPN-REQ	MUFFLER STAND - AS PER DRWG UC-100097-B
18	1	118408B	MUFFLER, HOSPITAL GR, 12" 150# SIDE IN/SIDE OUT [SILX, 8005-12-550-612-LL-CS-B]
19	1	104561	EXHAUST TUBING, MECHANICAL, 12" OD X 11 GAUGE (125" WALL), 316SS - PER UC-A
21	1	NPN-REQ	EXHAUST STACK, CS, 12" OD - AS PER UC-100097-A
22	2	121923	GASKET, EXHAUST, THERMOCUPLE 715, 1/16" THK 12" 150# EXTERNAL STYLE, 850F
23	1	109581	EXHAUST RAIN CAP, 12" OD, CS
25	1	104171	INSULATION, EXHAUST SHROUDING 6 TO 14" LINES ALUM CLAD CERAM FIBRE BATT
28	2	103770	(S) ELBOW, INTERED, 90 DEG, SR, 12" ID, 11 GA (125" WALL), A771-316L - PER UC-A
39	2	NPN-REQ	GASKET, EXHAUST THERMOCUPLE 715 1/16" THK 12" 150# INTERNAL STYLE, 850F-PER UC-A
40	1	104181	PROTECTOR, P48, 25" LEAD (PARTIAL) C/M HARNESS, 16 PROBES, NO REMOTE DISPLAY
41	2	104690C	(S) FLANGE, EXHAUST, EXTERNAL, 12" 150# ANSI, 3/8" THK, SA36 - PER UC-A
42	2	121924	(C) GASKET, EXHAUST, THERMOCUPLE 715, 1/16" THK 12" 150# EXTERNAL STYLE, 850F-UC-A
44	2	113508	GASKET, EXHAUST, NON-ASBESTOS, NA-60, 1/16" THK, 12" INTERNAL STYLE, 500F
45	1	115533	REDUCER, ERW, 12" ID X 10" OD X 3-1/2" LG 11 GA (125" WALL) 316SS - PER UC-A

NOTES:

1. OIL QUANTITY INCLUDES COMPENSATION FOR OIL FILTER AND TANKS.
2. QUANTITIES SHOWN ARE FOR ONE (1) ENGINE ONLY, EACH UNIT HAS TWO (2) ENGINES.



BILL OF MATERIAL

ITEM QTY	EFX CODE	DESCRIPTION
11		INDICATOR, LEVEL, SIGHT GLASS WINDOW, 10" BOLT CENT [LUBE DEVICES, 6605-10-A-1]
13		FILTER, OIL ASSEMBLY, 1" NPT C/W BR1915 ELEMENT & BASE FB1307 [BALDWIN, BR1914]
14		CONTROLLER, OIL LEVEL C/W ELECTRIC SWITCH, XP, CSA C/W LOCKING HANDLE [KEMCO] - BY WAUKESHA
15	2	VALVE, BALL, 1" NPT, 2000# WOG, RP, 316SS, KACE C/W LOCKING HANDLE [WAWCO, CT-R16520A]
16	1	COMPRESSOR, STRAIGHT, 2", STPLE 90 [PRESSER, 0090-0005-002]
22	1	PUMP, ELECTRIC MOTOR DRIVEN, ENGINE MOUNTED, - BY WAUKESHA
30	1	TANK, OIL, 55 GALLON (250L) [KEMCO, 55G]
31	1	STAND, OIL STORAGE DRUM, 50 US GALLON / 113 L, 92" HEIGHT
40	1	HEATER, CIRCULATION, OIL & COOLANT CAPABILITY [KIM HOTSTART, CFW31204-DWB0]
43	2	VALVE, BALL, 1" NPT, 2000# WOG, RP, SS, 2 PIECE C/W LOCKING HANDLE [WAS, G2]
45	1	VALVE, CHECK, PISTON, 1" NPT, 800# WOG, CS [WAWCO, CP-R10508A8]
50	1	MAGNETIC PICK-UP, 5/8"-18 UNF-2A, 2-1/8" INSTRON [BARBER COLMAN, DYN1-10100]
60	2	CONNECTOR, ELBOW, 90 DEG, 2-PIPC AMPHENOL [DYNALCO, DYN2-04614]
80	1	MAGNETIC PICKUP BY WAUKESHA
85	1	TWIST, 316SS, 1/2" NPT, U=2.5", .385" BORE C/W 2" LAG, [CCS, 6509W12050416]
90	1	**SWITCH, TEMP 400F 185-315R 165-308F CP SS 10" CAP, [CCS, 6900TU16-7001]
95	1	**SWITCH, PRESSURE 500 WMP 6-75R 2-71F CP ALUM, [CCS, 6900G14]
100	1	VALVE, FIRE SHUT OFF, OUTLET, 3/4" NPT CONNECTIONS [KEMCO, 75-F5]

AS-BUILT
NOV 04 2010

BFX Compression

REV	DESCRIPTION	DATE	DRAWN BY	CHECKED BY
2	AS BUILT	10/09/23	EAM	EAM
1	EC - ADDED OIL TEMP & PRESSURE SWITCHES	10/09/09	EAM	EAM
0	ISSUE FOR CONSTRUCTION	10/07/07	EAM	EAM
A	ISSUE FOR APPROVAL	10/05/26	EAM	EAM

4700 47 Street SE Calgary AB Canada T2B 3R1 Canada Tel: +1.403.236.6800 Fax +1.403.279.0367
www.enerflex.com

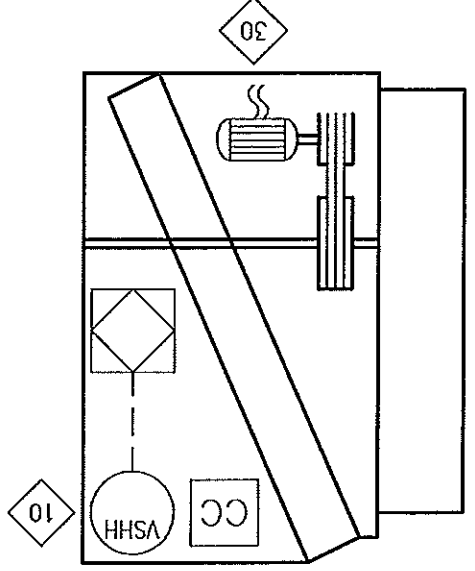
TITLE: SERVICE FLOW

FOR: EOG RESOURCES CANADA INC.
ENGINE LUBE OIL
WAKESHA P48 GL 1065 HP
(GOTE/TRAIL)

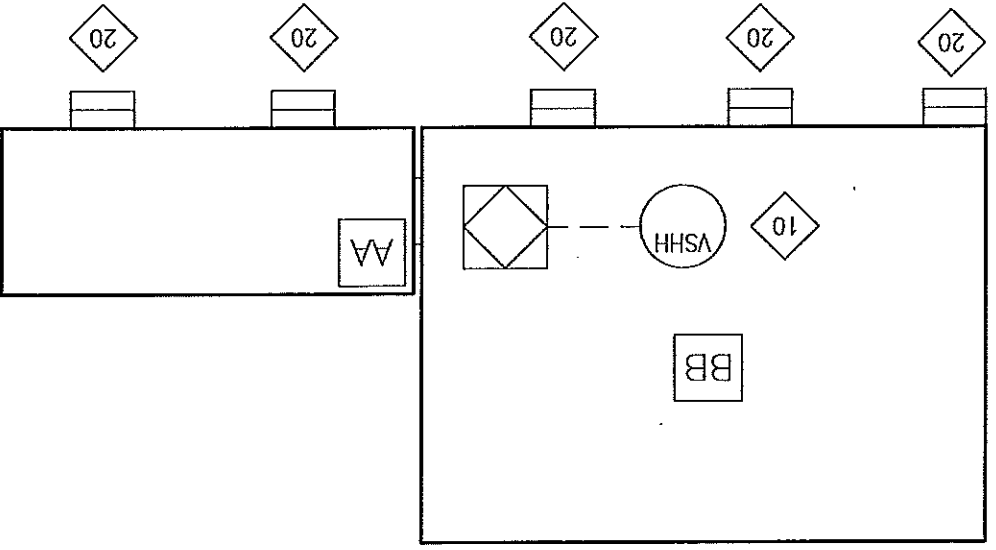
CONSULTANT: AUSCAN DESIGN LTD.
LSD: c-18-B/94-0-09

DRWN BY: EAM
CHKD BY: 10/05/26
SCALE: NTS
DATE: 10/05/26
DESIGN BY: EAM
DATE: 10/05/26
APPD BY: [Signature]
DATE: 10/05/26
JOB No.: 100097
DWG. No.: SF-100097-27
OP# 27

- NOTES:
- VIBRATION SWITCHES AND TRANSMITTERS TO BE FIRMLY MOUNTED TO THE MACHINE SURFACE, ORIENTED SO THE SENSITIVE AXIS POINTS INTO THE DIRECTION OF ROTATION NEAR CRANKSHAFT HEIGHT. (THE SENSITIVE AXIS FOR TRANSMITTERS IS INLINE WITH THE STUD, FOR SWITCHES IT IS THE DIRECTION THE RESET BUTTON POINTS).
 - ALL QUANTITIES SHOWN ARE FOR ONE (1) ENGINE ONLY, EACH UNIT CONSISTS OF TWO (2) ENGINES.



COOLER
 AXH 96EE
 S/N's: 104050C
 1800 RPM, 460V/3PH/60HZ
 104050D



DRIVER
 WAUKESHA P48GL
 S/N's: 5283700830
 1065 HP
 5283700846

GENERATOR
 STAMFORD HC16344
 S/N's: X10F25164
 700 KW, 480 V
 X10F25165

DATE	10/09/27	BY	EJM	AS BUILT	REV	1
DATE	10/07/07	BY	EJM	ISSUE FOR CONSTRUCTION	REV	0
DATE	10/03/26	BY	EJM	ISSUE FOR APPROVAL	REV	A

REVISIONS

ENERFLEX
 1700 43 Street SE Calgary AB Canada T2B 2M1 Canada Tel: +14032386600 Fax: +14032790357
 www.enerflex.com

PROJECT: 2-18-5/94-0-09
 COMPANY: MISCAN DESIGN LTD.

DATE: 10/09/25
 DWN: [Signature]
 PROJECT: STAMFORD HC16344, WAUKESHA P48GL, AXH 96EE
 EOG RESOURCES CANADA INC.
 (GOTE/TRAIL)

SCALE: [Signature]
 DATE: [Signature]

CWG NO: SF-100097-2B
 SHEET NO: 28

BILL OF MATERIAL

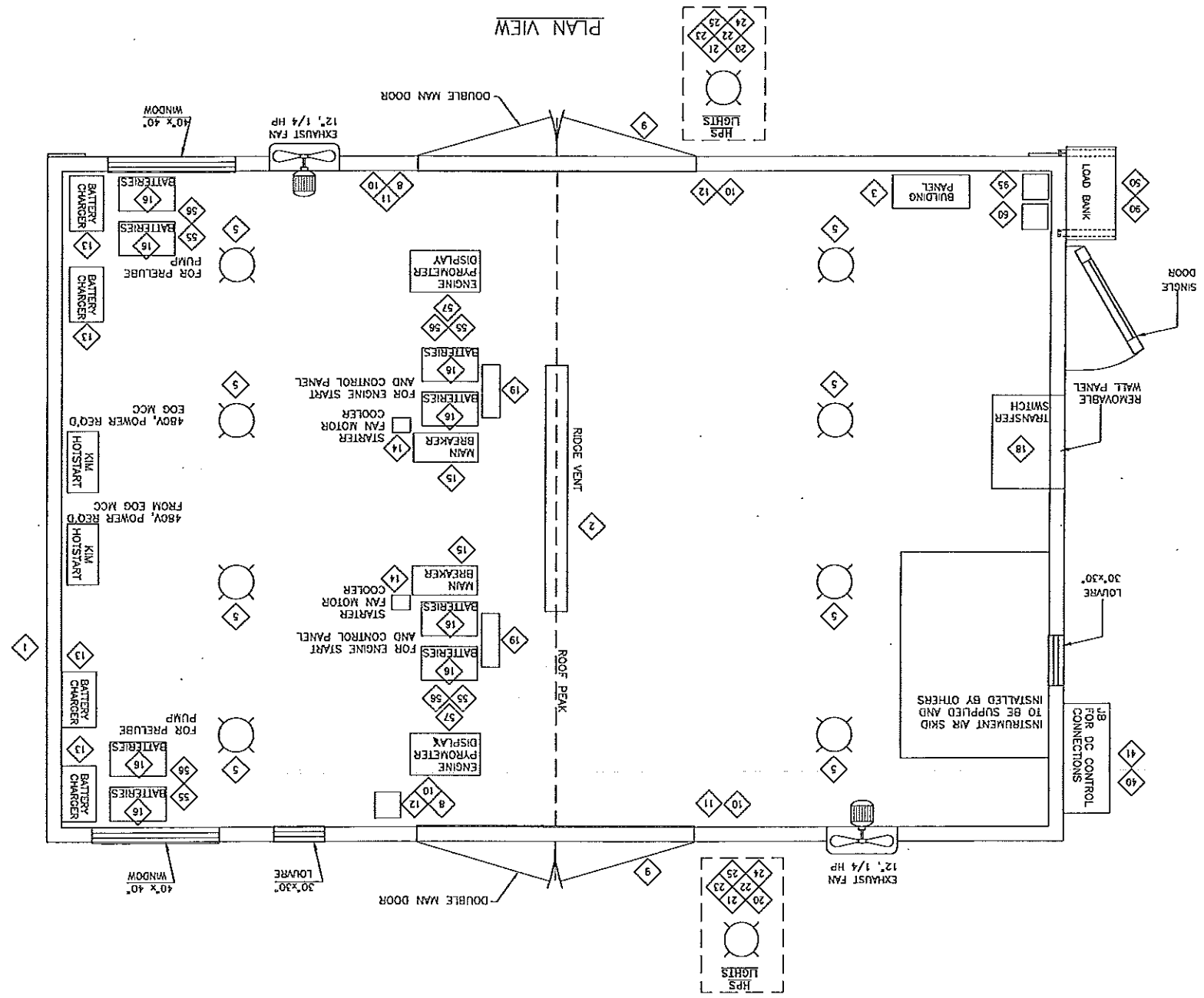
ITEM	QTY	PART ID	DESCRIPTION
10	2	116993	SWITCH, VIBRATION, ENTELA APPROVED G/W MANUAL RESET [MURPHY, VS2-E]
20	10	NPN-REQ	MOUNT, VIBRATION ISOLATOR [BR220]
30	1	120395	STARTER, FAN MOTOR, 20 HP, 480V, 3PH, 60HZ [MOELLER]

BILL OF MATERIAL: M 113645 : DRIVE TRAN MODULE, W/ ELECTRIC COOLER MOTOR			
DATE-TIME EXPLODED: 2002-02-26-11:27			

AS-BUILT
 NOV 04 2010

COLOR SCHEDULE

WALL INTERIOR LINER:	24 GA FLUTED WHITE PERFORATED INTERIOR
WALL EXTERIOR LINER:	GALVALUME
DOORS & TRIM:	GREY
COOLER:	AS PER MANUFACTURER'S SPECS.
EQUIPMENT:	AS PER MANUFACTURER'S SPECS.
SKID PERIMETER:	EM SYLVER GREY
CHECKER PLATE:	EM SYLVER GREY



FOR: EOG RESOURCES CANADA INC. (GOTE/TRAIL)
 BUILDING EQUIPMENT
 STAMFORD H01634F, WAUKESHA P48GL

CONSULTANT: AUSCAN DESIGN LTD.
 P.O.: 10-090

JOB No.: 100097
 L.S.D.: 18-B/94-0-09

DRWN BY: EAM
 DATE: 10/05/25

DESIGN BY: EAM
 DATE: 10/05/25

CHKD BY: [Signature]
 DATE: 10/05/25

APPRD BY: [Signature]
 DATE: 10/05/25

SCALE: NTS

OP# 70

SHEET 1/3

ENERFLEX

4700 47 Street SE, Calgary AB Canada T2B 3H1 Canada TEL: 416.222.8800 FAX: 416.222.9087
 www.enerflex.com

REV	DESCRIPTION	DATE	DRAWN BY	CHECKED BY
1	AS BUILT	10/10/04	EAM	EAM
0	ISSUE FOR CONSTRUCTION	10/07/07	EAM	EAM
A	ISSUE FOR APPROVAL	10/05/26	EAM	EAM

AS-BUILT

NOV 04 2010

ITEM QTY	PART #	DESCRIPTION
1	NPN-REG	BLDG. P48GL, DWG. 226 PAINTED, EXT., 246 NATURAL ALUMINUM INTERIOR, POWER UNIT
2	NPN-REG	VENT, RIDGE, LINEAR FT., 6", THROAT C/W MANUAL DRAINER & BIRD SCREEN
3	NPN-REG	DISTRIBUTION PANEL, 42CCT, 208Y/120V, 3 PHASE
5	NPN-REG	INDOOR LIGHTS, HPS, 150 W, KILLARK PENDANT C101 FIXTURES, [KILLARK, EUS15126]
8	107779	SMITH, SINGLE POLE, MOKY, 125V (PASS & SENSOUR, 6600N)
9	120916	SIG. UNIT, 12" X 12" WHITE, 040 ALUMINUM, PANCO PHONE NUMBER
10	107642	RECEPTACLE, MOKY, DUPLEX, 15A (PASS & SENSOUR, 2322CN)
11	107778	SMITH, 3 WAY, MOKY, 2W15A (PASS & SENSOUR, 6631CN)
12	107649	THERMOSTAT, HEAT/COOL [HONEYWELL, T651A3026]
13	1292338	BATTERY CHARGER, 20A, 120VAC IN, 24VDC OUT C/W 480V, 51L [TTL, BCU122024V20A]
14	120395	STARTER, FAN MOTOR, 20 HP, 480V, 3PH, 60HZ [MOTELER]
15	123159	BREAKER, MOLDED CASE CIRCUIT, 1200 AF MCCB, 100K RATED, 480 V (TTL)
16	120729	BATTERY, 12V, [NAPA, 8D-9]
18	132160	TRANSFER SWITCH, AUTOVOLT, 1600 A, 3 POLE, 480V/3/60HZ [TTL, T583A1600C18V2WMA]
19	132156	PANEL, CONTROL, GCS WALL MOUNTED, NEMA 1 ENCLOSURE [TTL, NEC 310]
20	110494	LAMP, HPS, 70 WATT [PHILIPS, C70S62]
21	NPN-REG	FIXTURE, 70 WATT HPS, WALL MOUNT, CLASS I, DIV. II [KILLARK, KMP5070]
22	NPN-REG	TOPHAT, FOR KMP5070 [KILLARK]
23	NPN-REG	GLOBE, HEAT RESISTANT [KILLARK]
24	115514	GUARD, WIRE, FOR KMP5070 [KILLARK]
25	128079	ELECTRIC, LIGHT CONTROL, PHOTOCELL [TORK, 2101]
28	123560	BREAKER, 30 AMP, 3 POLE, 480 VAC [CUTLER HAMMER, EHD3030]
40	132089	JUNCTION BOX, 20" X 20" X 8" DEEP, NEMA 4 [HAMMOND, EHF5202089Y]
41	132090	BACKPAN, FOR 20" X 20" X 8" DEEP JUNCTION BOX [HAMMOND, EP2020]
50	132162	LOAD BANK, 350KW, 480VAC, 3PH, 60HZ [UP POWER TECHNOLOGY, SAL-350C4]
55	104392	BATTERY ACCESSORY, GROUND STRAP [NAPA, 711284]
56	126093	BATTERY BOX, C/W UB, HOPE, PLASTIC, 21-1/2" X 11-1/2" X 1" [CALGARY PLASTIC, 80]
57	131166	PANEL, PYROMETER, DISPLAY, (18 POINT) [ALTRONIC, DPT 4118U-A]
60	132157	BREAKER, MOLDED CASE CIRCUIT, 600 A VCB, 600 VAC, 3 POLE, ASSEMBLED [TTL]
70	128243	BOX, CAST DEWSE, 1 GAND-TROUGH FEED, 3/4 HUBS, F5C2 [MESCO, 78227441070]
80	128244	COVER, TOGGLE SWITCH, WEATHER PROOF, GANG PVC, RUSC1510
90	NPN-REG	SUPPORT FOR LOAD BANK, BULD TO SUIT
95	NPN-REG	LOAD BANK CONTROLLER - SUPPLIED WITH LOAD BANK

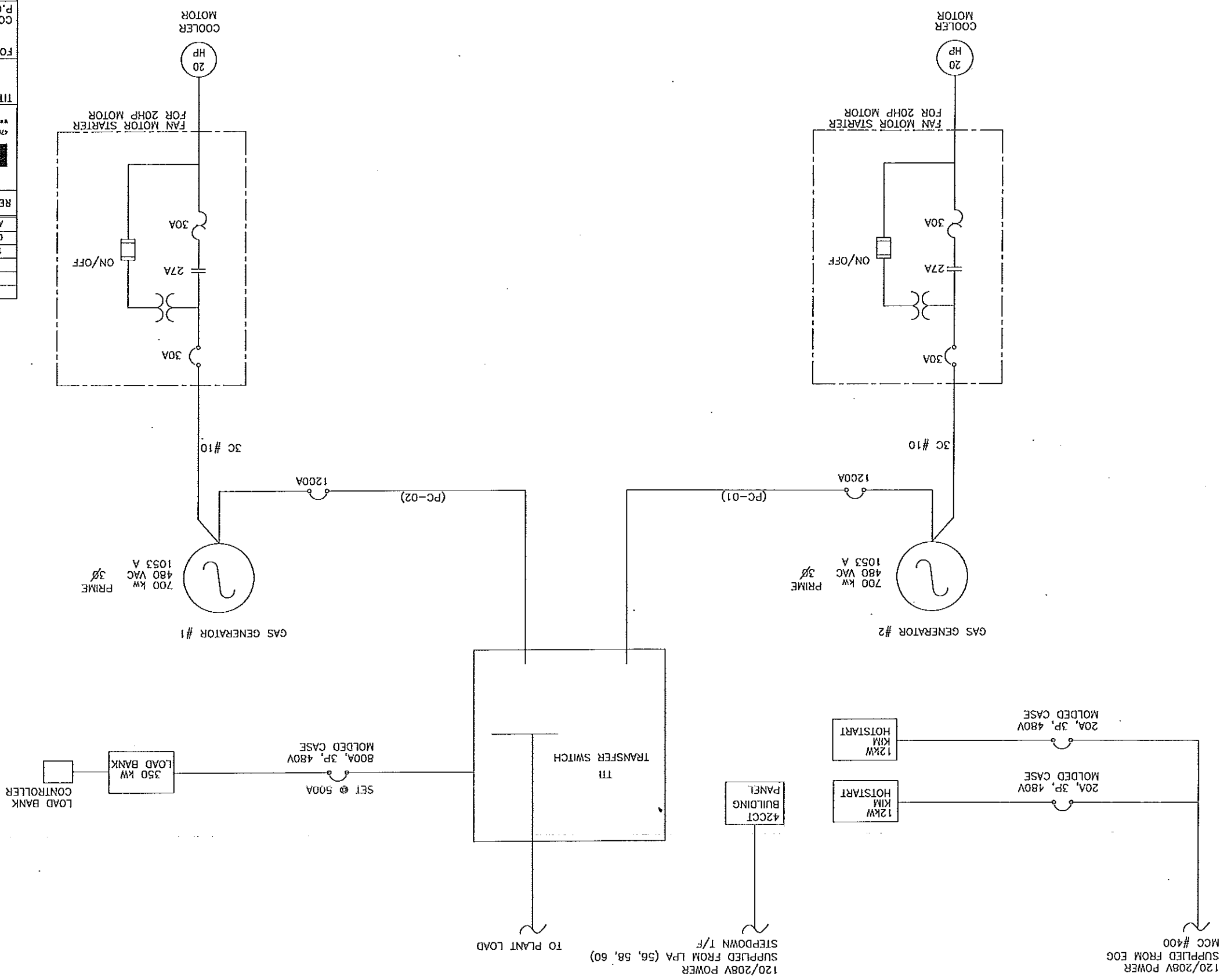
OP#	DWG. No.	DATE: 10/05/25	DESIGN BY: EAM	DATE: 10/05/25	SF-100097-70(B)
70					

DRAWN BY: EAM DATE: 10/05/25
 CHKD BY: DATE: 10/05/25
 APPD BY: DATE: 10/05/25
 SCALE: NTS

ENERFLEX
 4700 47 Street SE Calgary AB Canada T2B 3H1 Canada Tel: 416.323.5500 Fax: 416.323.2355

TITLE: SERVICE FLOW
 BUILDING EQUIPMENT
 STAMFORD H01634F, WAUKESHA P48GL
 EOG RESOURCES CANADA INC.
 CONSULTANT: AUSCAN DESIGN LTD.
 P.O.: 10-090
 JOB No.: 100097
 LSD: c-18-b/94-0-09

REV	DESCRIPTION	DATE	DRAWN BY	CHECKED BY
1	AS BUILT	10/10/04	EAM	EAM
0	ISSUE FOR CONSTRUCTION	10/07/07	EAM	EAM
A	ISSUE FOR APPROVAL	10/05/26	EAM	EAM



AS-BUILT
NOV 04 2010

SCALE: NTS	DATE: 10/05/25	DESIGN BY: EAM	DATE: 10/05/25	DWG. No.	OP#
CHD BY: NIS	DATE: 10/05/25	APVD BY:	DATE: 10/05/25	SF-100097-70(C)	70
FOR: EOG RESOURCES CANADA INC. (GOTE/TRAIL)					
CONSULTANT: AUSCAN DESIGN LTD. P.O. 10-090					
LSD: C-18-B/94-0-09					
JOB No.: 100097					
TITLE: SERVICE FLOW BUILDING EQUIPMENT STAMFORD HC1634F, WAUKESHA P48CL					
ENERFLEX					
1000 47 Street SE Calgary AB Canada T2B 3H1 Canada Tel: 416.433.6600 Fax: 416.433.2905					
REV	DESCRIPTION	DATE	DRAWN BY	CHECKED BY	
1	AS BUILT	10/10/01	EAM	EAM	
0	ISSUE FOR CONSTRUCTION	10/07/07	EAM	EAM	
A	ISSUE FOR APPROVAL	10/05/26	EAM	EAM	

AS-BUILT
NOV 04 2010

