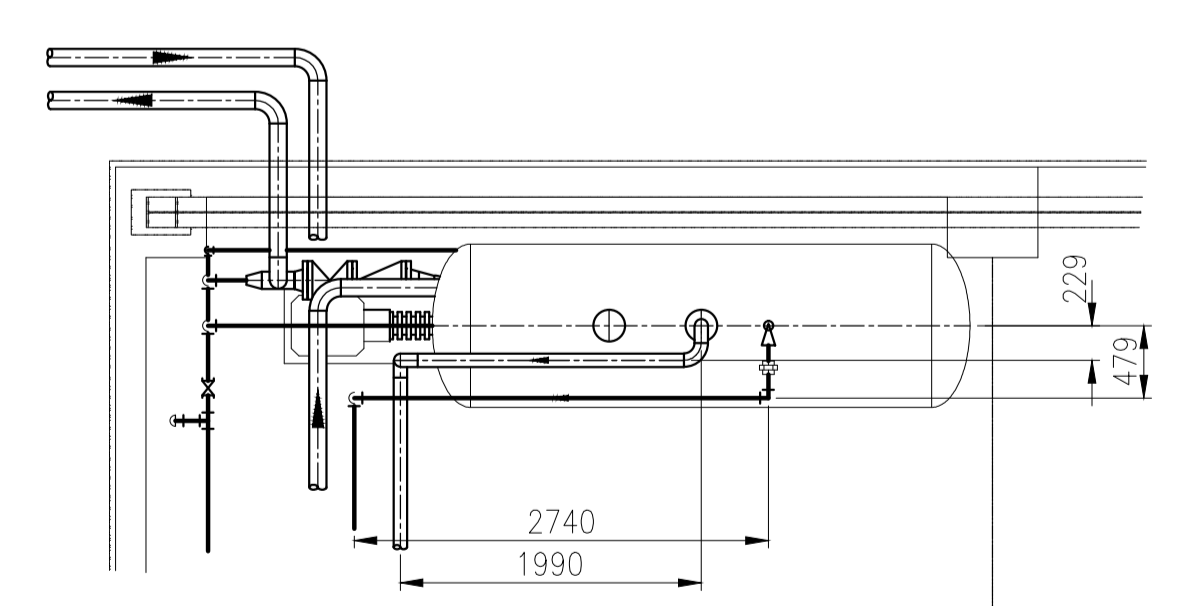
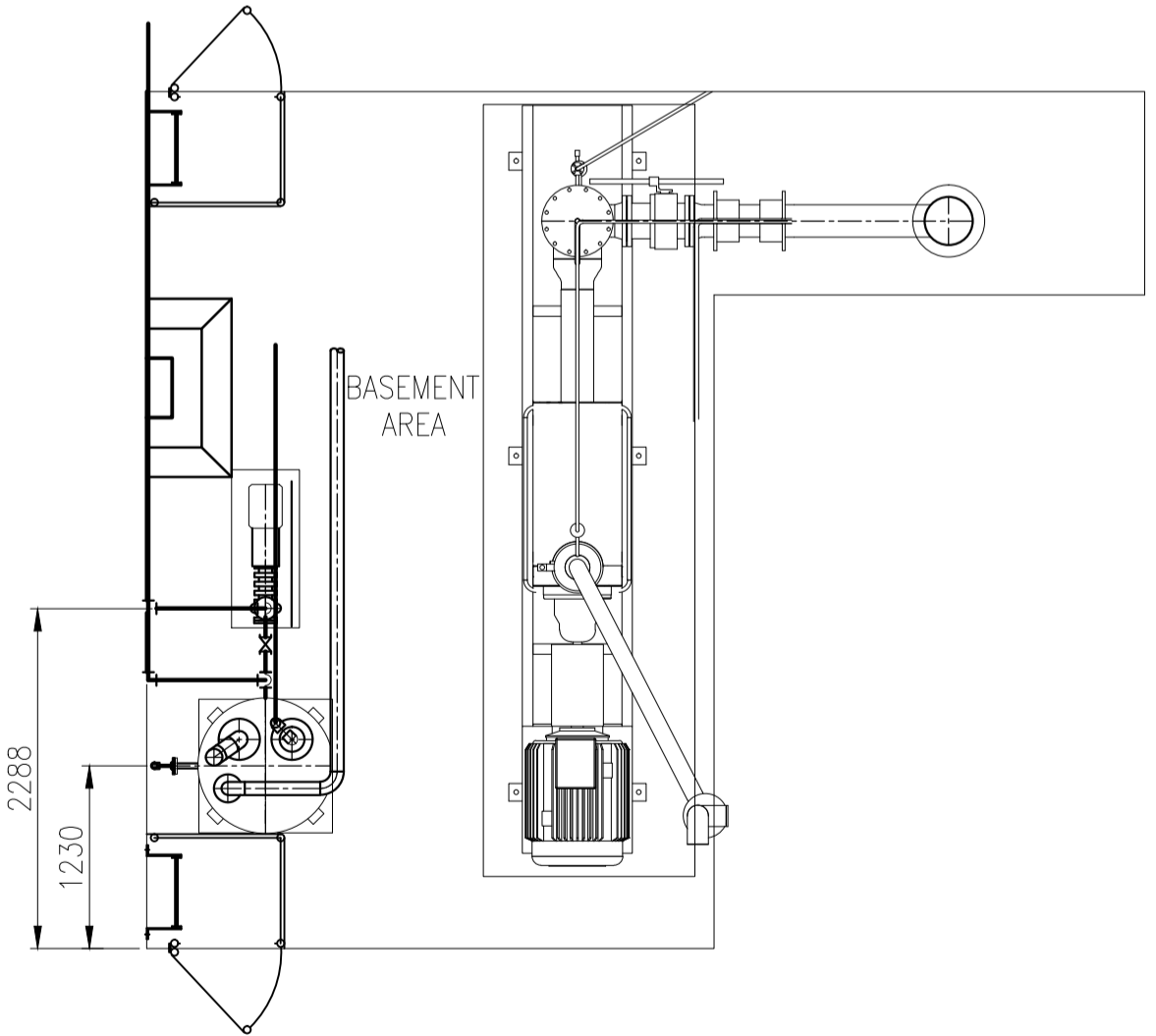


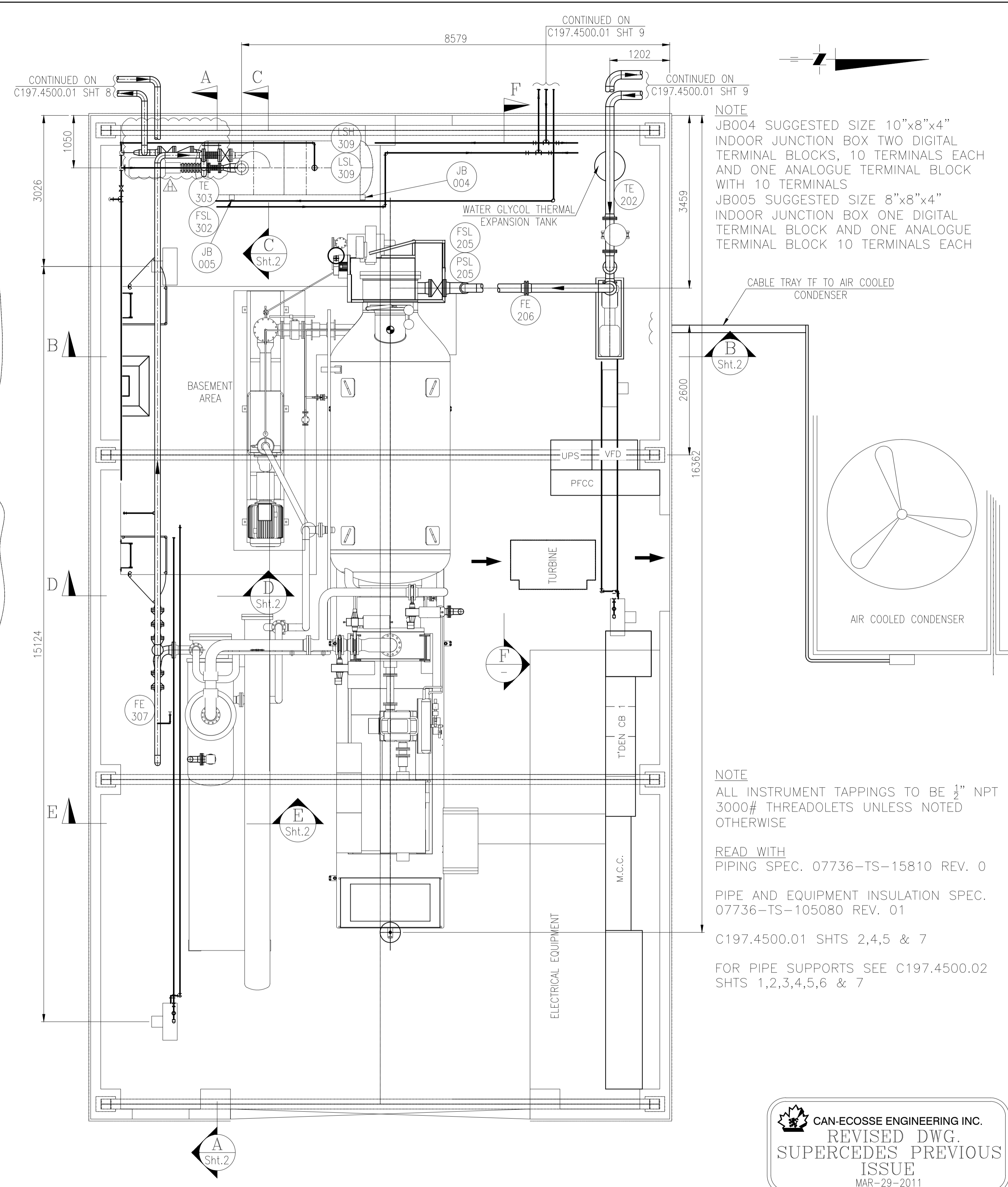
SECTION 'F'-'F'



SECTION 'H'-'H'
(Sht. 2)



SECTION 'J'-'J'
(Sht. 2)



NOTE
JB004 SUGGESTED SIZE 10"x8"x4"
INDOOR JUNCTION BOX TWO DIGITAL
TERMINAL BLOCKS, 10 TERMINALS EACH
AND ONE ANALOGUE TERMINAL BLOCK
WITH 10 TERMINALS
JB005 SUGGESTED SIZE 8"x8"x4"
INDOOR JUNCTION BOX ONE DIGITAL
TERMINAL BLOCK AND ONE ANALOGUE
TERMINAL BLOCK 10 TERMINALS EACH

NOTE
ALL INSTRUMENT TAPPINGS TO BE 1/2" NPT
3000# THREDOLETS UNLESS NOTED
OTHERWISE

READ WITH
PIPING SPEC. 07736-TS-15810 REV. 0

PIPE AND EQUIPMENT INSULATION SPEC.
07736-TS-105080 REV. 01

C197.4500.01 SHTS 2,4,5 & 7

FOR PIPE SUPPORTS SEE C197.4500.02
SHTS 1,2,3,4,5,6 & 7

CAN-ECOSSE ENGINEERING INC.
REVISED DWG.
SUPERCEDES PREVIOUS
ISSUE
MAR-29-2011

REFERENCE DRAWINGS	REVISED BY	DATE	AUTHORIZED BY	DESCRIPTION
G	A. THOMPSON	09.03.2011	T. HARRIS	CONDUITS TO AIR COOLED CONDENSER CHANGED TO CABLE TRAY
F	A. THOMPSON	14.02.2011	T. HARRIS	CONDUITS TO AIR COOLED CONDENSER ADDED INSTRUMENT JUNCTION BOXES ADDED
E	A. THOMPSON	23.12.2010	T. HARRIS	MODIFIED BASED ON UPDATED EQUIPMENT DETAILS
D	A. THOMPSON	15.10.2010	T. HARRIS	ISSUED FOR CONSTRUCTION
C	A. THOMPSON	17.09.2010	T. HARRIS	ISSUED FOR REVIEW AND COMMENT
J	A. THOMPSON	29.03.2011	T. HARRIS	THERMAL OIL PUMP DISCHARGE MODIFIED NOW DIRECTLY ON EXPANSION JOINT
H	A. THOMPSON	14.03.2011	T. HARRIS	JUNCTION BOXES JB003 AND JB006 REMOVED NOTE ADDED DETAILING JB004 AND JB005

FOUND ENERGY An Aecon Company	TransGas A SaskEnergy Company
CONSULTANT'S LOGO	ENGINEERS STAMP
DRAFTING DEPT.	DESIGN DEPT.
DRAWN BY: A. THOMPSON	CHECKED BY: T. HARRIS
DATE: 10/02/09	DATE: 10/02/09
DESIGNED BY: A. THOMPSON	CHECKED BY: T. HARRIS
SUBMITTED BY: T. HARRIS	DATE APPROVED: 26/02/10

ACAD FILE: C197.4500.001.1	FILE REF.
SCALE: 1:50 1:30	DRAWING No. C197.4500.01
SHEET 1 of 13	REV. J

O.R.C BUILDING PIPING
GENERAL ARRANGEMENT
PLAN

ROSETOWN W.M.R. PLANT
NE 21-30-14 W3M