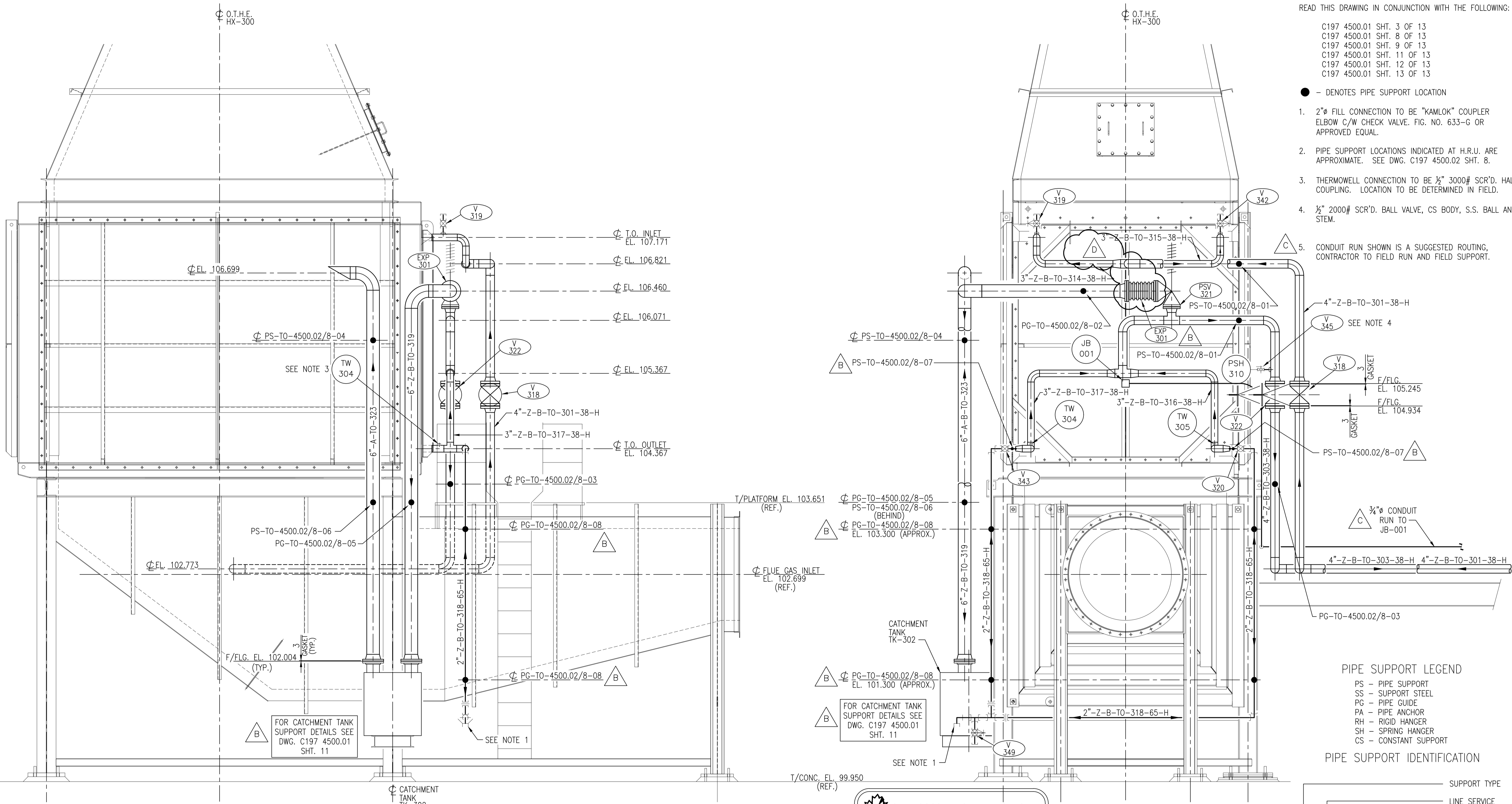


GENERAL NOTES:

READ THIS DRAWING IN CONJUNCTION WITH THE FOLLOWING:

- C197 4500.01 SHT. 3 OF 13
- C197 4500.01 SHT. 8 OF 13
- C197 4500.01 SHT. 9 OF 13
- C197 4500.01 SHT. 11 OF 13
- C197 4500.01 SHT. 12 OF 13
- C197 4500.01 SHT. 13 OF 13

- - DENOTES PIPE SUPPORT LOCATION
- 1. 2"Ø FILL CONNECTION TO BE "KAMLOK" COUPLER ELBOW C/W CHECK VALVE. FIG. NO. 633-G OR APPROVED EQUAL.
- 2. PIPE SUPPORT LOCATIONS INDICATED AT H.R.U. ARE APPROXIMATE. SEE DWG. C197 4500.02 SHT. 8.
- 3. THERMOWELL CONNECTION TO BE ½" 3000# SCR'D. HALF COUPLING. LOCATION TO BE DETERMINED IN FIELD.
- 4. ½" 2000# SCR'D. BALL VALVE, CS BODY, S.S. BALL AND STEM.
- 5. CONDUIT RUN SHOWN IS A SUGGESTED ROUTING, CONTRACTOR TO FIELD RUN AND FIELD SUPPORT.



SECTION B-B
1:25
SHT.3

SECTION A-A
1:25
SHT.3

CAN-ECOSSE ENGINEERING INC.
REVISED DWG.
SUPERCEDES PREVIOUS
ISSUE
FEB. 24, 2011

PIPE SUPPORT LEGEND

- PS - PIPE SUPPORT
- SS - SUPPORT STEEL
- PG - PIPE GUIDE
- PA - PIPE ANCHOR
- RH - RIGID HANGER
- SH - SPRING HANGER
- CS - CONSTANT SUPPORT

PIPE SUPPORT IDENTIFICATION

PH-TO-4500.02/1-01 ← SUPPORT NUMBER

DETAIL DWG. NO.

REFERENCE DRAWINGS	REVISED BY _____ DATE _____ AUTHORIZED BY _____ APPROVED BY _____	REVISED BY _____ DATE _____ AUTHORIZED BY _____ APPROVED BY _____	REVISED BY _____ DATE _____ AUTHORIZED BY _____ APPROVED BY _____	REVISED BY _____ DATE _____ AUTHORIZED BY _____ APPROVED BY _____	REVISED BY _____ DATE _____ AUTHORIZED BY _____ APPROVED BY _____	REVISED BY _____ DATE _____ AUTHORIZED BY _____ APPROVED BY _____	REVISED BY _____ DATE _____ AUTHORIZED BY _____ APPROVED BY _____	REVISED BY _____ DATE _____ AUTHORIZED BY _____ APPROVED BY _____	CONSULTANT'S LOGO FOUND ENERGY An Aecon Company	ENGINEERS STAMP CAN-ECOSSE ENGINEERING INC. St. Catharines, Ontario, Canada	DRAFTING DEPT. DRAWN BY _____ CHECKED BY _____ DATE _____ DESIGN DEPT. DESIGNED BY _____ CHECKED BY _____ SUBMITTED BY _____ APPROVED BY _____ DATE APPROVED _____	TransGas A SastEnergy Company THERMAL OIL YARD PIPING H.R.U. PIPING ARRANGEMENT GENERAL ARRANGEMENT - SECTIONS ROSETOWN W.H.R. NE 21-30-14 W3M	ACAD FILE: C197 4500.01.10 FILE REF. SCALE: 1:25 DRAWING No. C197 4500.01 SHEET 10 OF 13 PLOT DATE: _____ REV. D
--------------------	--	--	--	--	--	--	--	--	--	--	---	---	--