

CUSTOMER:

ARGO STANDARD

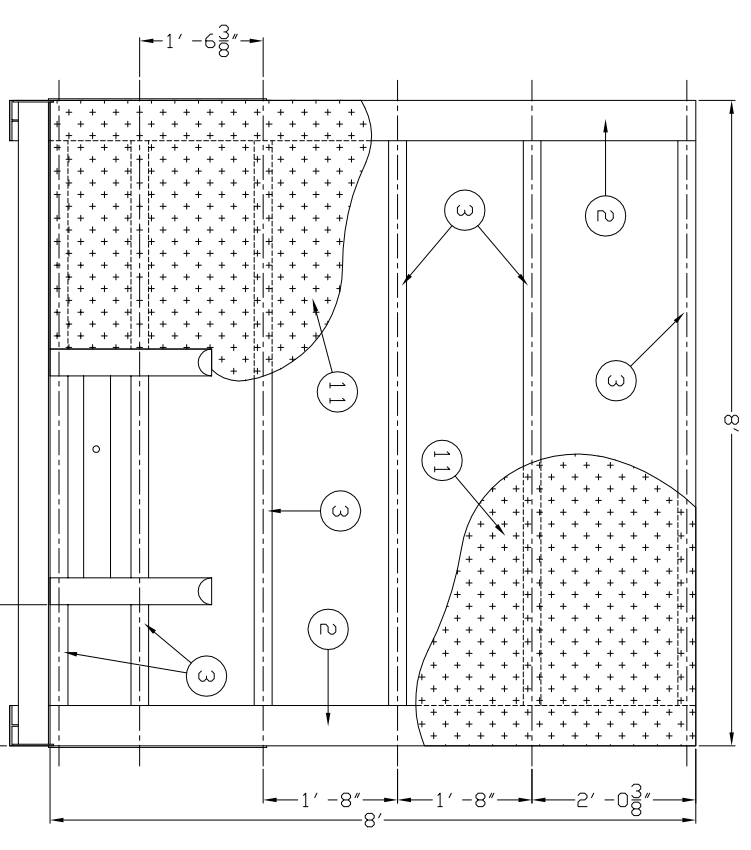
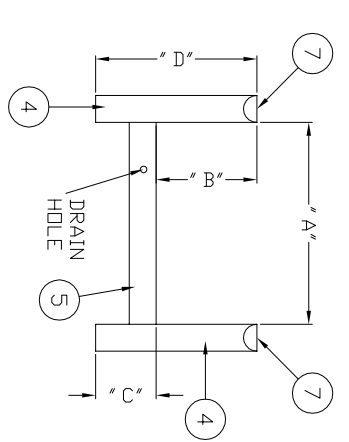
TITLE:

8'0" x 8'0" "EL"-TYPE SKID

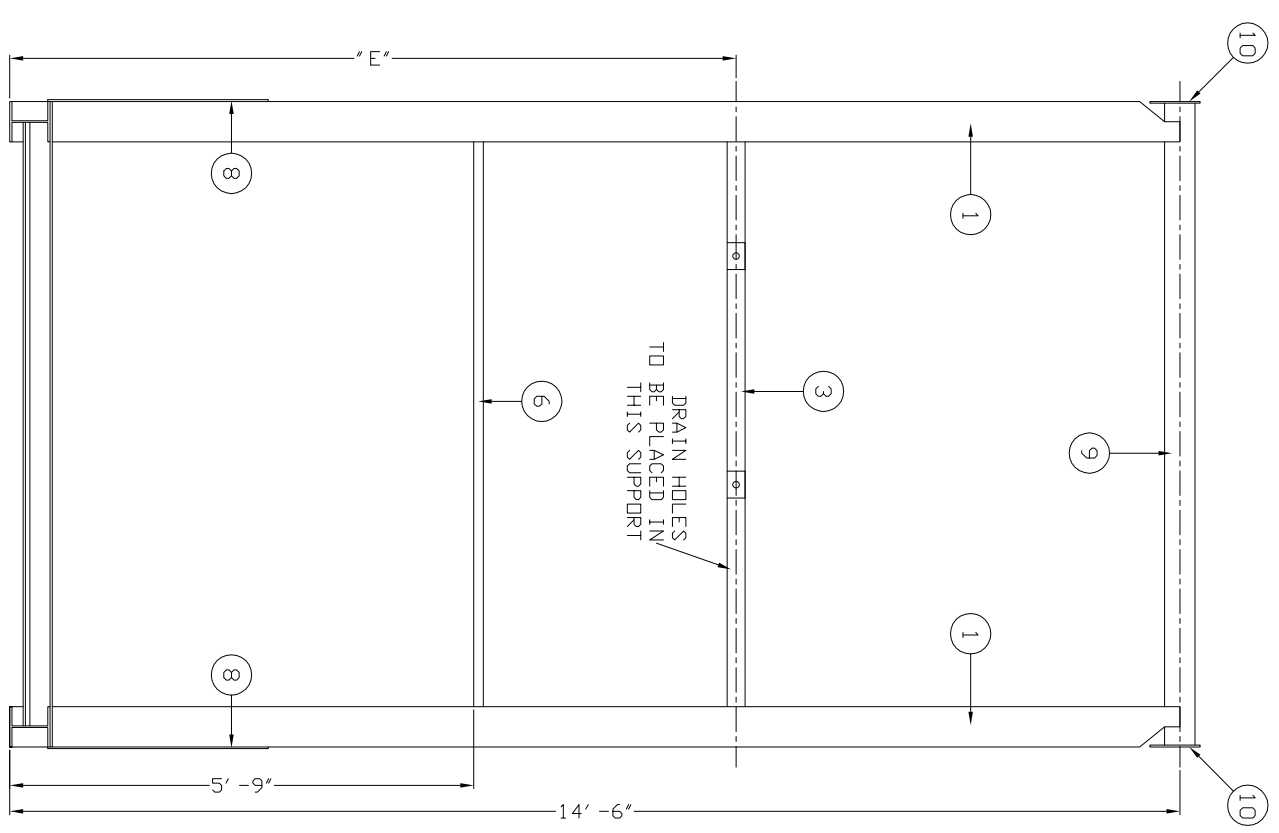
SERIAL #:

07504

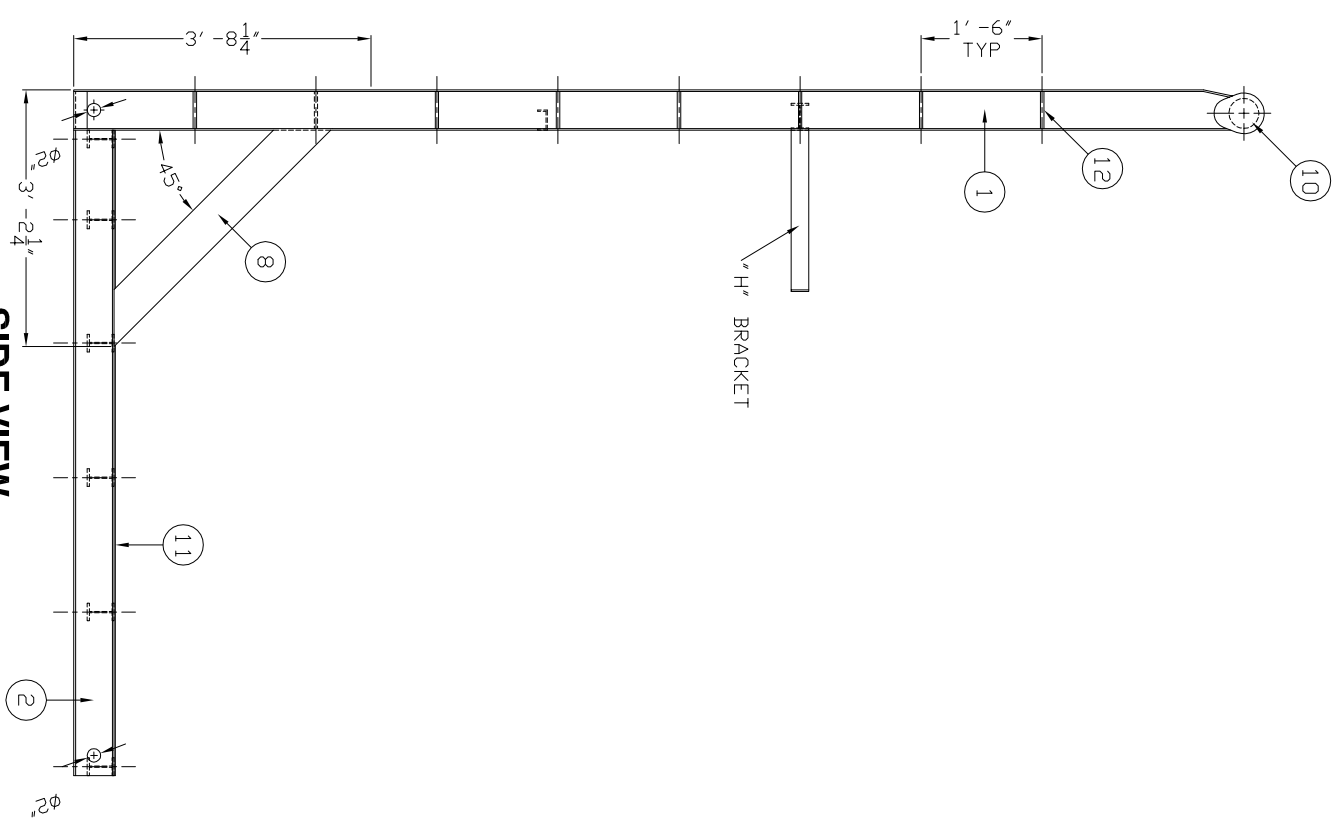
"H" BRACKET



PLAN VIEW



END VIEW



SIDE VIEW

CUSTOMER: **ARGO STANDARD**

TITLE: **8'0" x 8'0" "EL" - TYPE SKID FOR STANDARD 24" or 30" VESSELS SKID DRAWING**

DRAWN BY: *RW* SCALE: N.T.S.

CHECKED BY: DATE: 12/11/98

APPROVED BY: QUOTE: -

DWG. #: 07504

DESIGN NOTES:

- 1) SKID TO BE BLASTED TO SSPC-SP7 BRUSH BLAST
- 2) SKID TO BE PAINTED WITH ONE COAT OF ARGO SHIP PRIMER
- 3) SKID TO BE FINISHED WITH ONE COAT OF CLOVERDALE GREY ENAMEL PAINT
- 4) USE FULL SEAM WELD WHEN BUTTING CHECKER PLATE TOGETHER.
- 5) CHECKER PLATE TO BE STAGGERED INTERMITTENT WELDED TO ALL SUPPORT BEAMS
- 6) 1" Ø HOLES TO BE TORCH CUT INTO 4" I-BEAM FOR DRAINAGE
- 7) ALL MEASUREMENTS IN THE BILL OF MATERIALS ARE APPROXIMATE
- 8) APPROXIMATE WEIGHT OF THE SKID IS 1860 LBS

GENERAL NOTES:

- 1) SKID TO BE BLASTED TO SSPC-SP7 BRUSH BLAST
- 2) SKID TO BE PAINTED WITH ONE COAT OF ARGO SHIP PRIMER
- 3) SKID TO BE FINISHED WITH ONE COAT OF CLOVERDALE GREY ENAMEL PAINT
- 4) USE FULL SEAM WELD WHEN BUTTING CHECKER PLATE TOGETHER.
- 5) CHECKER PLATE TO BE STAGGERED INTERMITTENT WELDED TO ALL SUPPORT BEAMS
- 6) 1" Ø HOLES TO BE TORCH CUT INTO 4" I-BEAM FOR DRAINAGE
- 7) ALL MEASUREMENTS IN THE BILL OF MATERIALS ARE APPROXIMATE
- 8) APPROXIMATE WEIGHT OF THE SKID IS 1860 LBS

"H" BRACKET:

"H" BRACKET:	"H" BRACKET:	"H" BRACKET:
24" VESSEL	LARSEN	PENFABCO
"A"	24-1/2"	24-1/2"
"B"	12"	12"
"C"	9"	9"
"D"	21"	21"
"E"	9.2"	6.11"
30" VESSEL	LARSEN	PENFABCO
"A"	30-1/2"	30-1/2"
"B"	15"	15"
"C"	9"	9"
"D"	24"	24"
"E"	10.2"	10.2"

BILL OF MATERIALS:

MARK	QTY	MAT'L	DESCRIPTION
1	2	44W	W6 x 15#/FT WIDE FLANGE BEAM, 14'-6" LONG
2	2	44W	W6 x 15#/FT WIDE FLANGE BEAM, 8'-0" LONG
3	7	44W	S4 x 7.7#/FT I-BEAM, 7'-5-3/4" LONG
4	2	44W	S4 x 7.7#/FT I-BEAM, SEE DIM 'D'
5	1	44W	S4 x 7.7#/FT I-BEAM, SEE DIM 'A'
6	1	44W	3" x 3" x 1/4" CHANNEL IRON, 7'-5-3/4" LONG
7	2	44W	4" x 1/4" FLAT BAR
8	2	44W	6" x 1/4" FLAT BAR, 4'-6" LONG
9	1	AS3B	Ø4" STD WALL COMMERCIAL PIPE, 8' LONG
10	2	44W	Ø4" ARGO STANDARD TEAR DROP ROLL END
11	1	44W	3/16" CHECKER PLATE, 64 SQ. FT.
12	8	44W	1/2" ROUND ROD, 5-1/2" LONG
13	4	44W	2" x 2" x 1/4" ANGLE IRON 5-1/2" LG

REVISIONS:

REVISION:	DESCRIPTION:	DATE:
1	MODIFY BILL OF MATERIALS	10.29.02
0	APPROVAL	10.04.99

ARGO SALES LTD
 P.O. Box 1160
 Nisku Industrial Park
 Nisku, Alberta
 T9E 8A8

DRAWN BY: *RW* SCALE: N.T.S.
 CHECKED BY: DATE: 12/11/98
 APPROVED BY: QUOTE: -
 DWG. #: 07504
 SHEET 3 OF 3 REV: A